



US00D982449S

(12) **United States Design Patent**
Gerhards et al.

(10) **Patent No.:** **US D982,449 S**

(45) **Date of Patent:** **** Apr. 4, 2023**

(54) **CONTAINER**

(71) Applicant: **Henkel AG & Co. KGaA**, Duesseldorf (DE)

(72) Inventors: **Katja Gerhards**, Duesseldorf (DE);
Daniel P. Sterling, Fairfield, CT (US)

(73) Assignee: **Henkel AG & Co. KGaA**, Duesseldorf (DE)

(**) Term: **15 Years**

(21) Appl. No.: **29/788,804**

(22) Filed: **Jul. 29, 2021**

Related U.S. Application Data

(62) Division of application No. 29/657,505, filed on Jul. 23, 2018, now Pat. No. Des. 929,234.

(51) **LOC (14) Cl.** **09-01**

(52) **U.S. Cl.**
USPC **D9/531**

(58) **Field of Classification Search**
USPC D9/519, 530, 531, 537, 539, 540,
D9/544-545, 549, 574
CPC B65D 1/02; B65D 1/0223; B65D 1/023;
B65D 1/0261; B65D 2501/0009; B65D
2501/0081; B65D 2501/009

See application file for complete search history.

(56) **References Cited**

U.S. PATENT DOCUMENTS

D658,499 S *	5/2012	Wycoff	D9/528
8,459,479 B2 *	6/2013	Yourist	B65D 23/102 215/382
D784,819 S *	4/2017	Meier	D9/528
D799,326 S *	10/2017	Meier	D9/528
D883,792 S *	5/2020	Sterling	D9/563
D929,234 S *	8/2021	Gerhards	D9/531
D931,732 S *	9/2021	Gerhards	D9/563
D959,274 S *	8/2022	Gerhards	D9/530

* cited by examiner

Primary Examiner — Janice Patyk

(74) *Attorney, Agent, or Firm* — Bojuan Deng

(57) **CLAIM**

The ornamental design for a container, as shown and described.

DESCRIPTION

FIG. 1 is a front perspective view of a container, showing our new design;

FIG. 2 is a front elevation view thereof;

FIG. 3 is a rear elevation view thereof;

FIG. 4 is a right-side elevation view thereof;

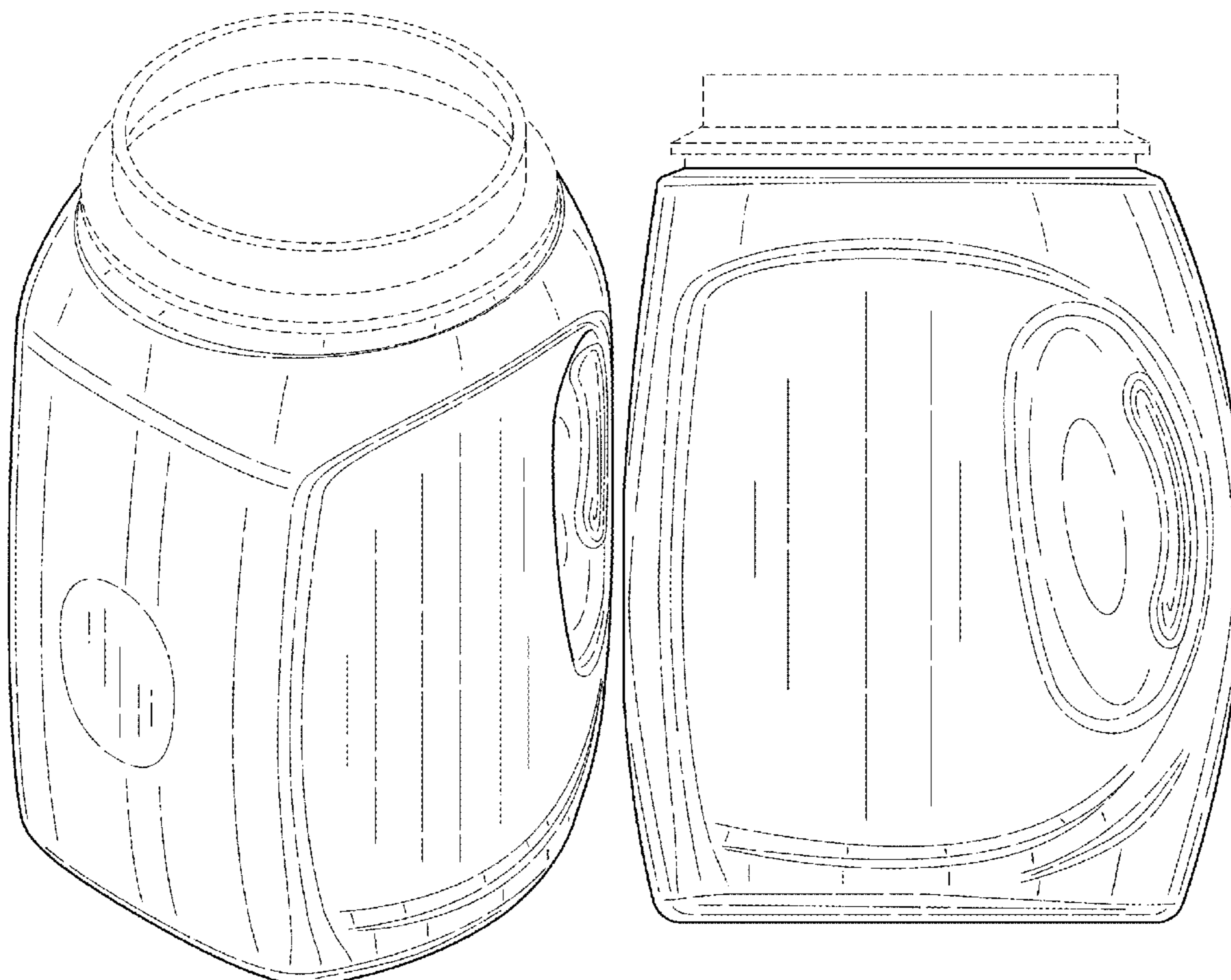
FIG. 5 is a left-side elevation view thereof;

FIG. 6 is a top plan view thereof; and,

FIG. 7 is a bottom plan view thereof.

The broken lines in the figures illustrate the portions of the design that form no part of the claimed design.

1 Claim, 7 Drawing Sheets



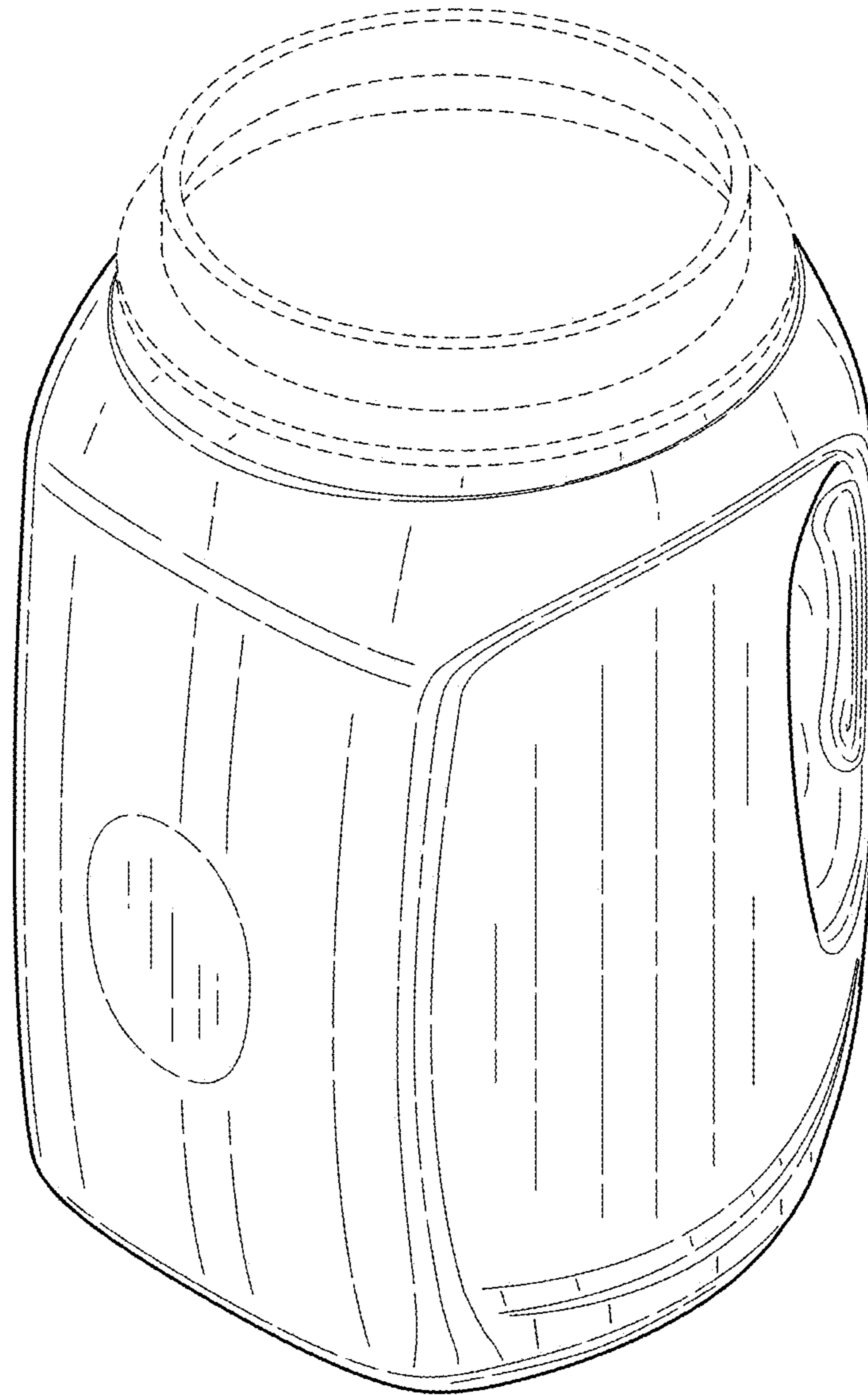


FIG.1

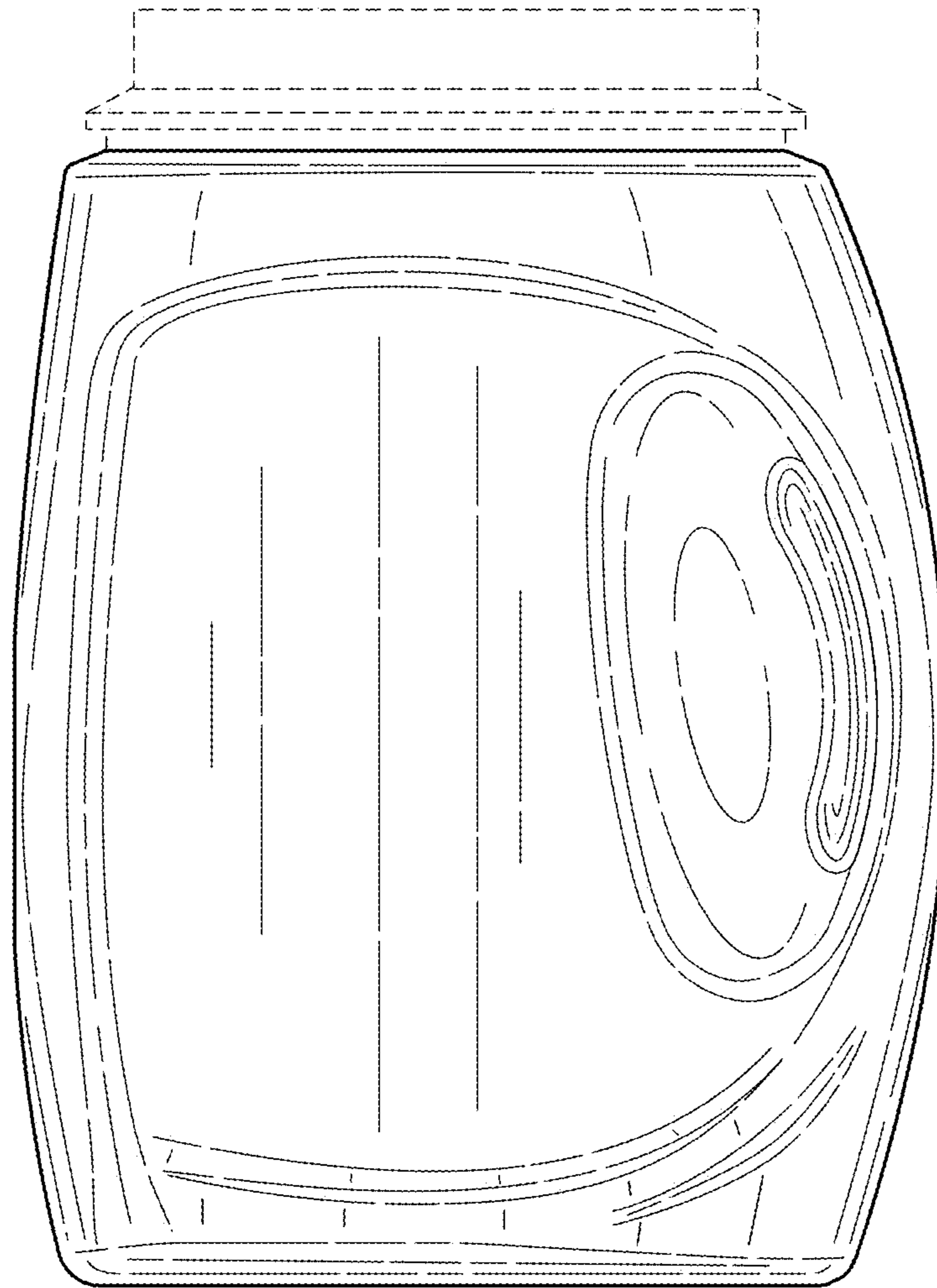


FIG. 2

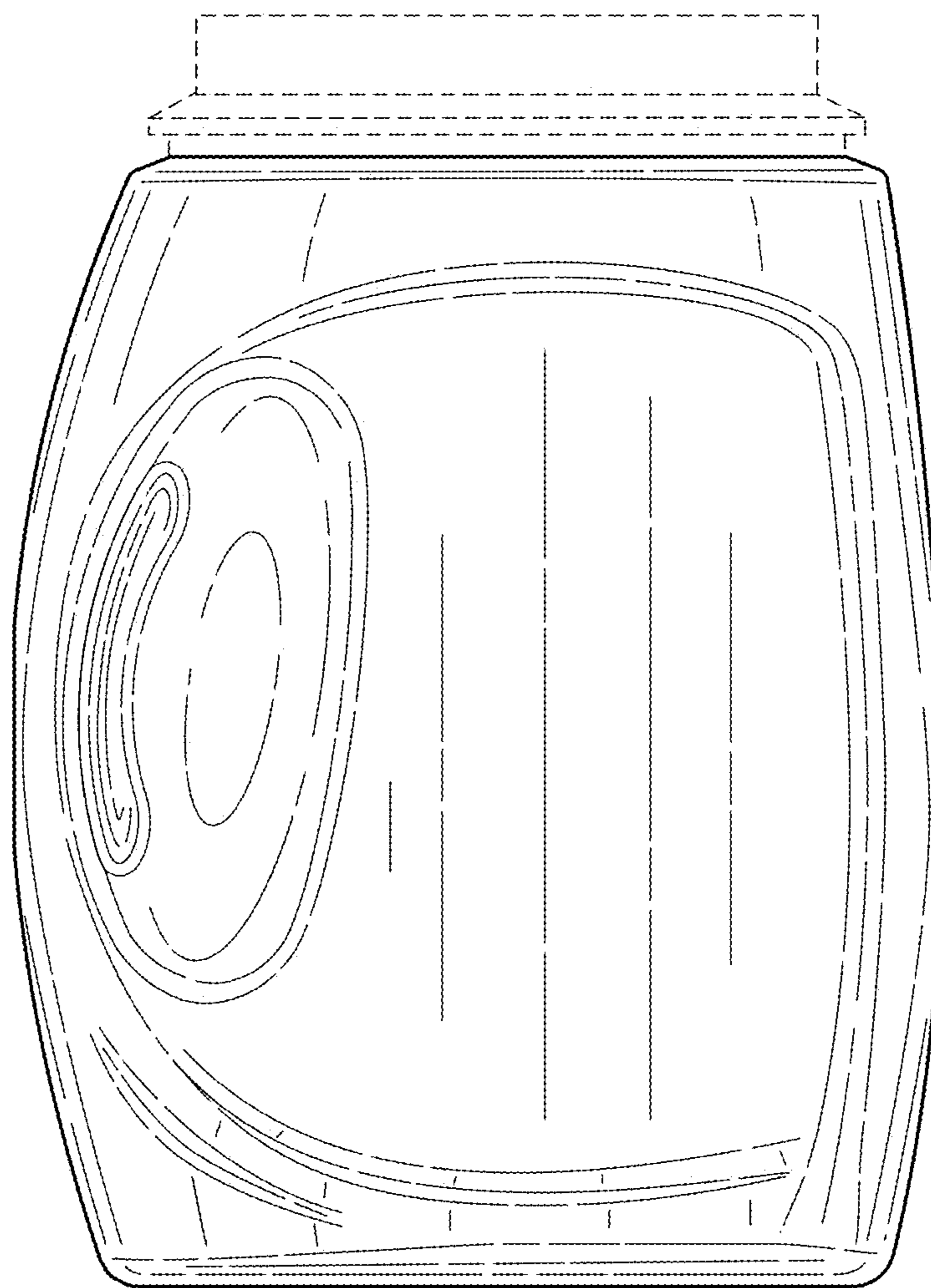


FIG. 3

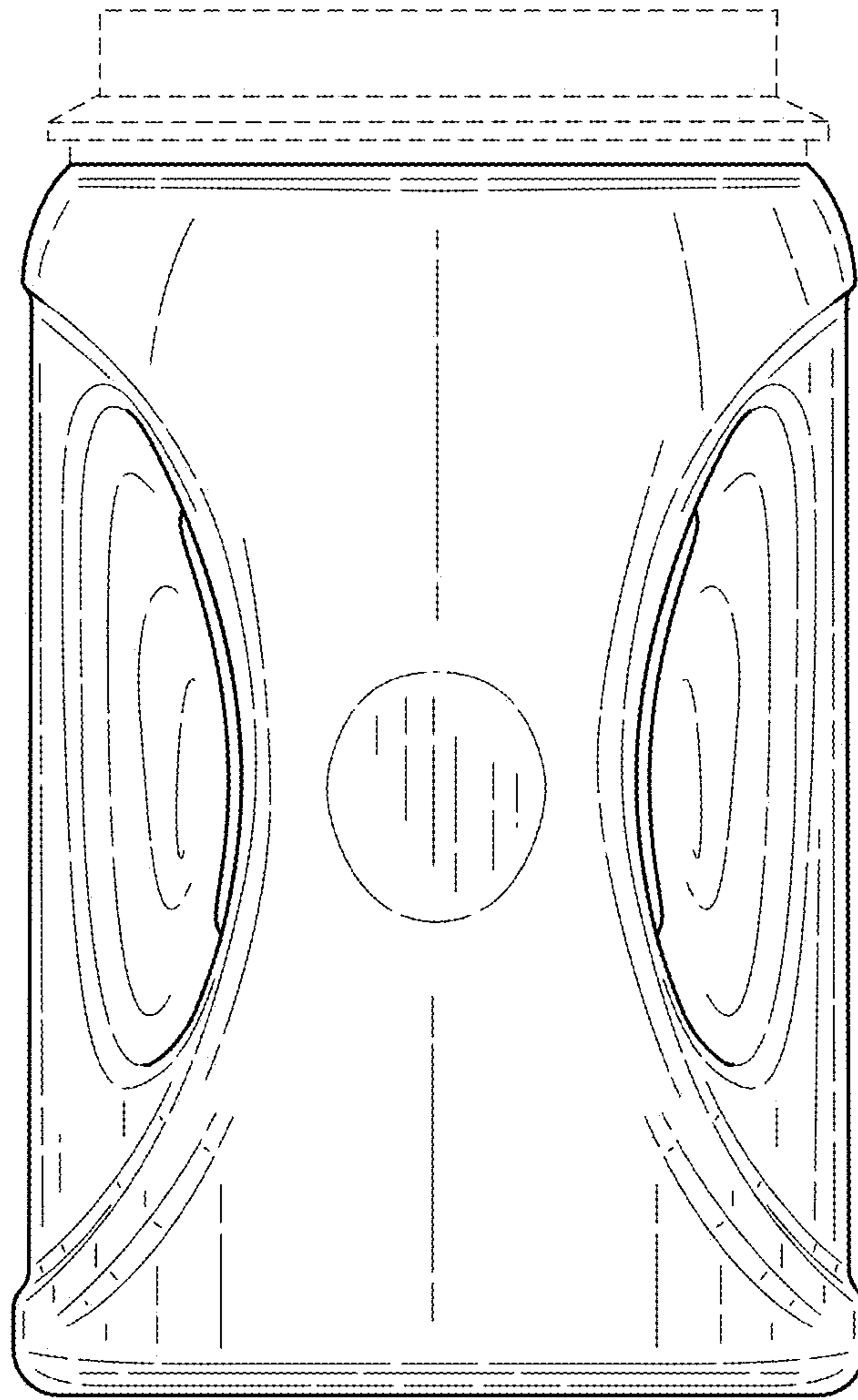


FIG. 4

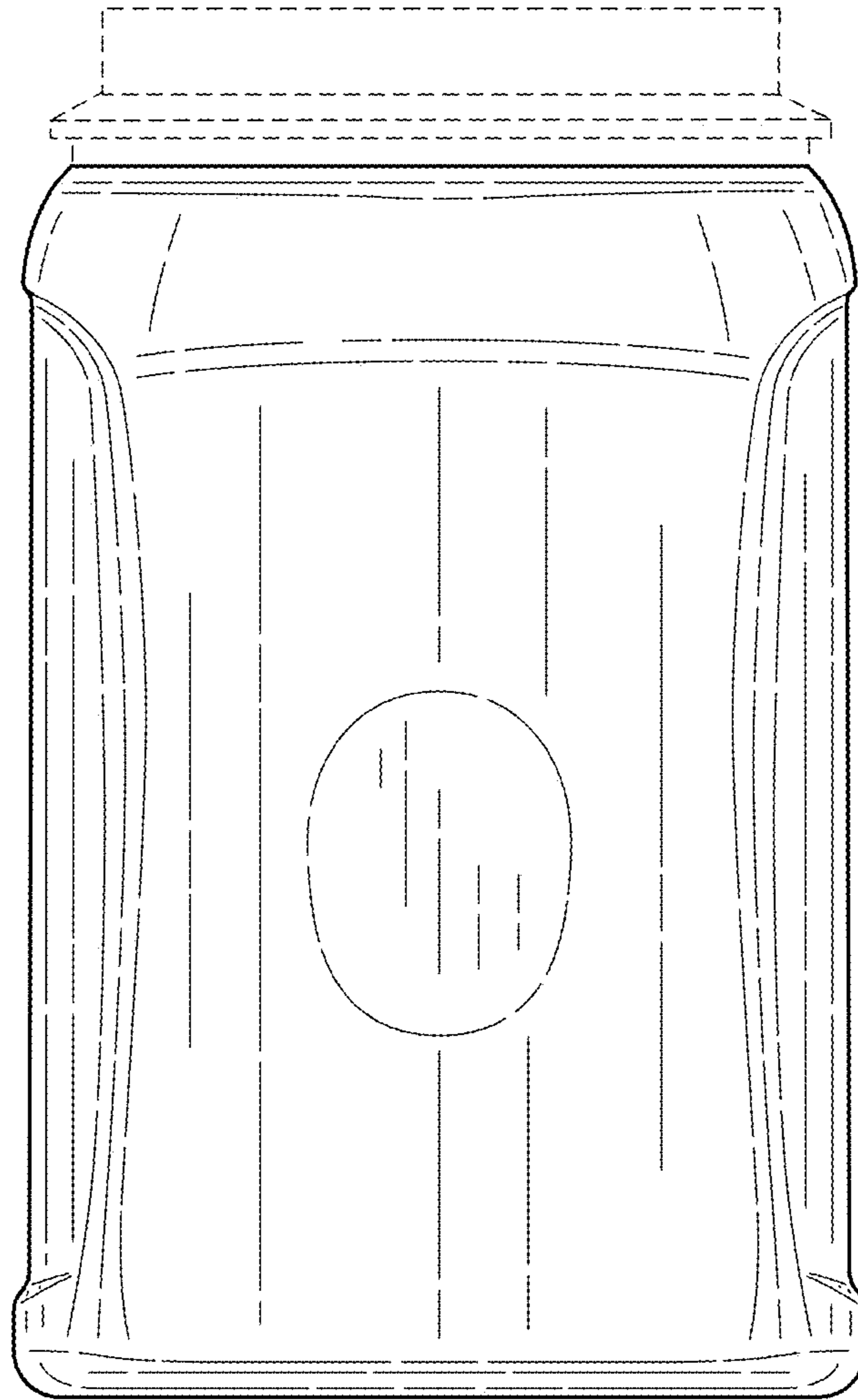


FIG. 5

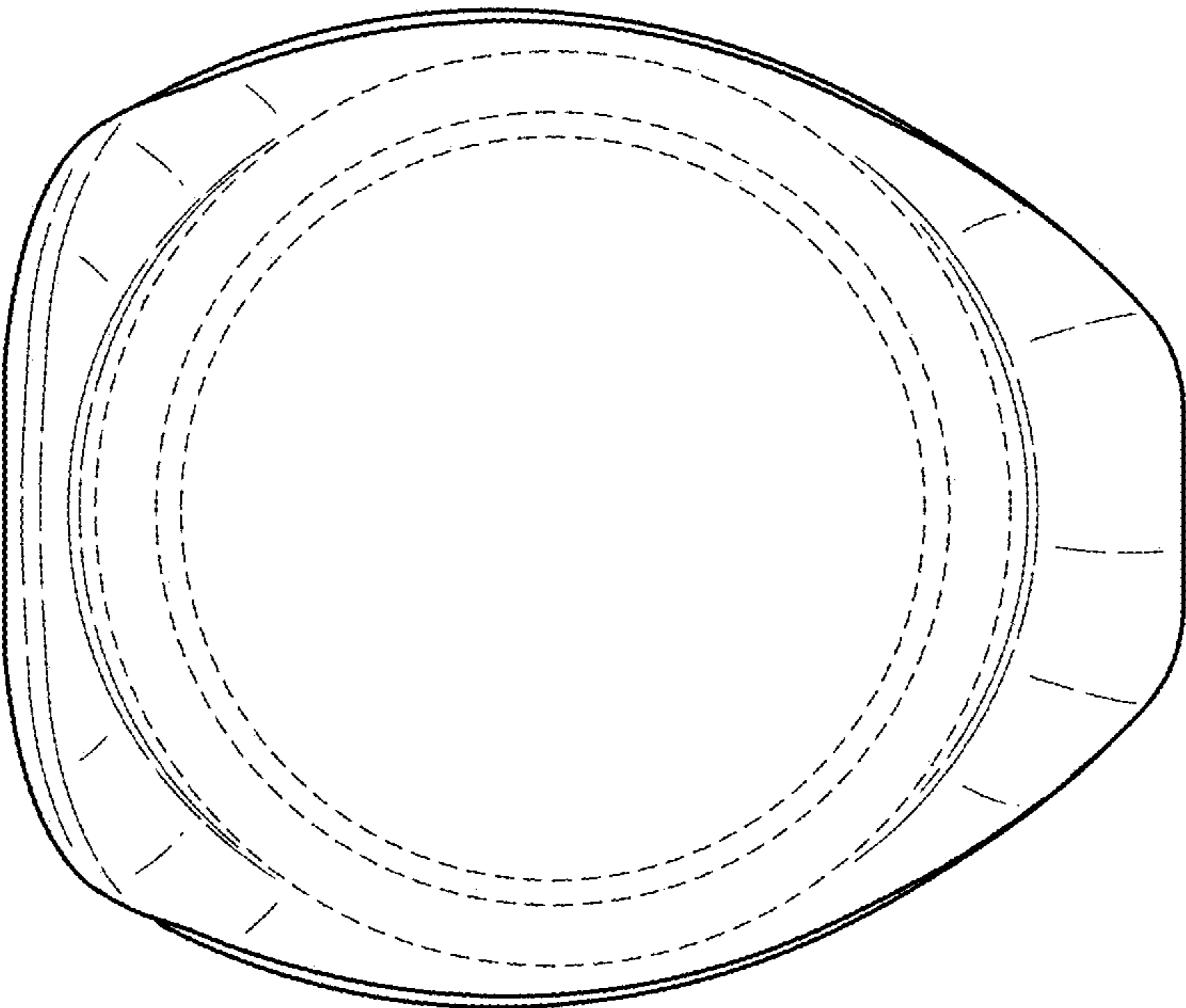


FIG. 6

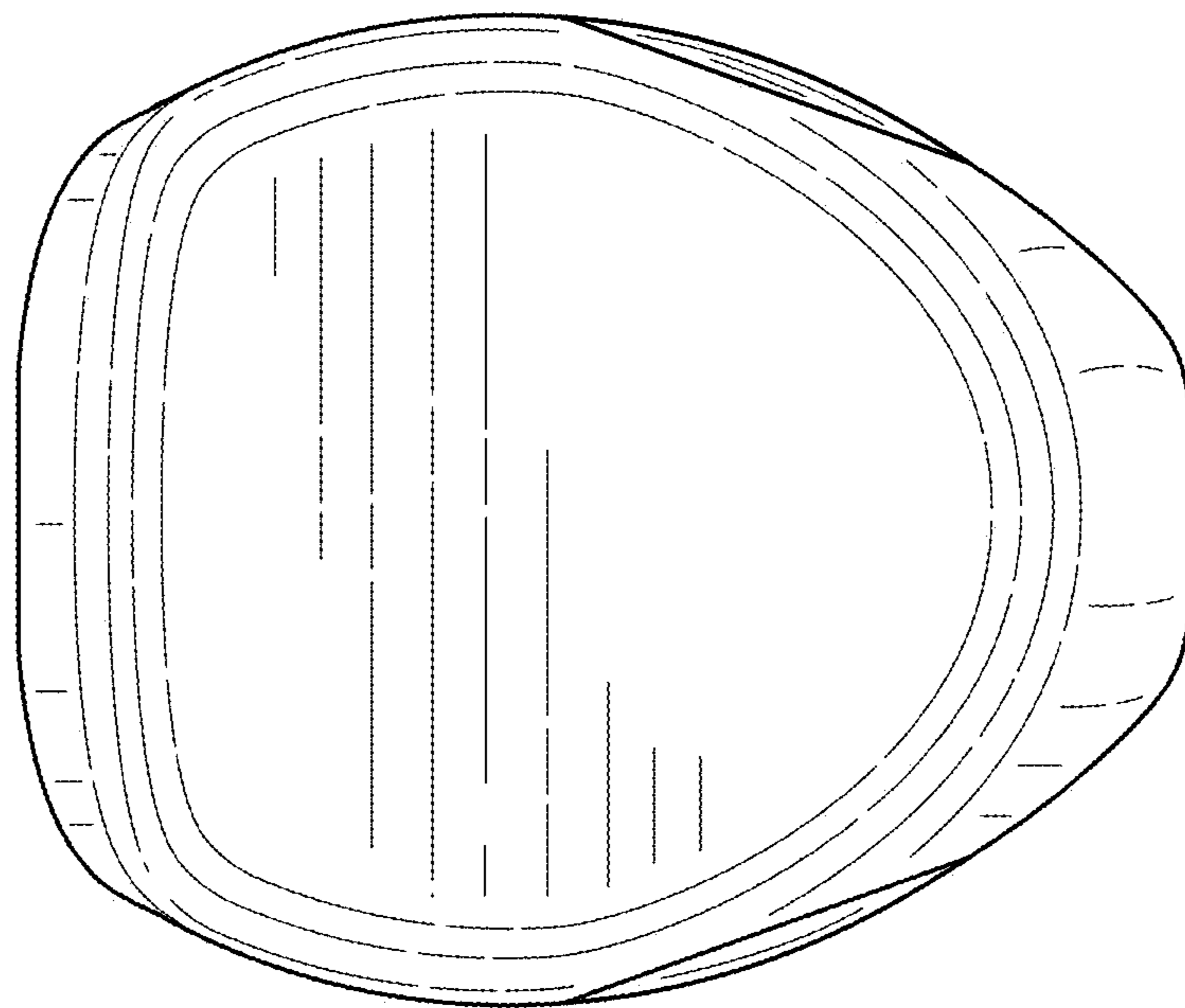


FIG. 7