



US00D982447S

(12) **United States Design Patent** (10) **Patent No.:** **US D982,447 S**
Currie et al. (45) **Date of Patent:** **** Apr. 4, 2023**

(54) **BOTTLE**

FOREIGN PATENT DOCUMENTS

(71) Applicant: **CASTROL LIMITED**, Pangbourne
Reading (GB)

CA 2969080 A1 * 10/2018 B65D 1/0246
CN 306519209 * 5/2021
CN 307415777 * 6/2022

(72) Inventors: **Richard Currie**, Reading (GB); **Sener Karagulle**, Istanbul (TR)

OTHER PUBLICATIONS

(73) Assignee: **CASTROL LIMITED**, Pangbourne
Reading (GB)

Oregon Chainsaw Bar and Chain Oil, 1 Gallon Bottle. Date first available: May 10, 2014. Site visited: Aug. 10, 2022. Available online: https://www.amazon.com/dp/B00EPKP4MK/ref=sspa_dk_detail_0 (Year: 2014).*

(**) Term: **15 Years**

(Continued)

(21) Appl. No.: **29/774,579**

Primary Examiner — Catherine S Posthauer

(22) Filed: **Mar. 17, 2021**

Assistant Examiner — Joan E. Diehl

(51) **LOC (14) Cl.** **09-01**

(74) *Attorney, Agent, or Firm* — IpHorgan Ltd.

(52) **U.S. Cl.**

USPC **D9/528**

(58) **Field of Classification Search**

USPC D9/516, 520, 523–524, 527–528, 563,
D9/569, 571, 575, 715, 542–543,
D9/682–684; D23/211.1, 211.2;
D12/218; D15/150, 152; D24/121, 224
CPC B65D 25/00; B65D 25/28; B65D 25/2897;
B65D 25/2882; B65D 25/2888; B65D
25/2894; B65D 1/0207; B65D 1/0276;
B65D 1/02; B65D 1/0223; B65D 1/40;
B65D 2501/00; B65D 2501/0009; B65D
2501/0081; B05B 11/0037

See application file for complete search history.

(57) **CLAIM**

The ornamental design for a bottle, as shown and described.

DESCRIPTION

FIG. 1 is a back perspective view of a bottle, showing the new design;

FIG. 2 is a bottom view of the bottle, showing the new design;

FIG. 3 is a front perspective view of the bottle, showing the new design;

FIG. 4 is a back view of the bottle, showing the new design;

FIG. 5 is a side view, showing the new design, wherein the opposite side view is a mirror image of the side view of FIG. 5;

FIG. 6 is a front view of the bottle, showing the new design; and,

FIG. 7 is a top view of the bottle, showing the new design. The broken lines are shown for the purpose of illustrating parts of the article that form no part of the claimed design.

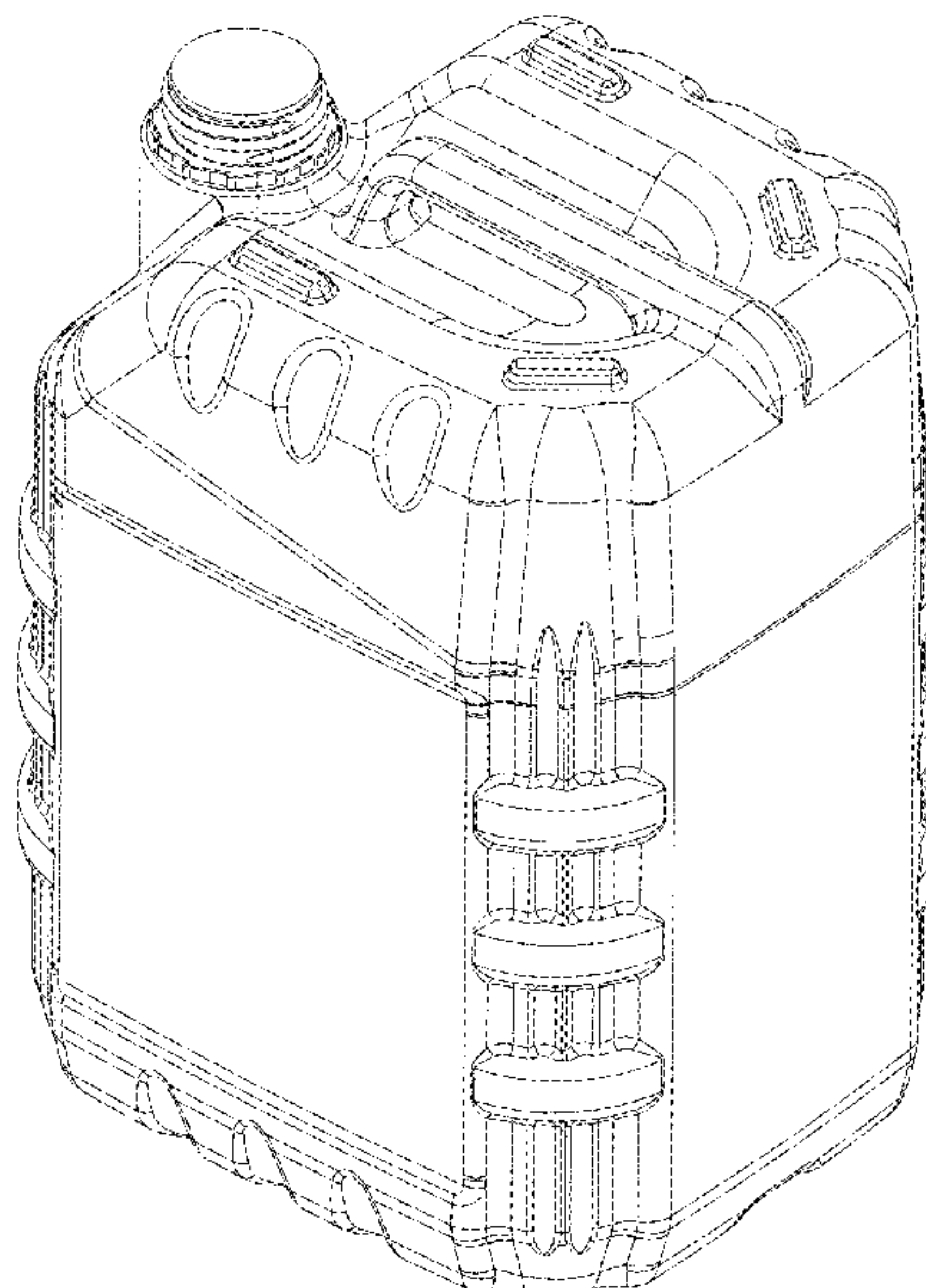
(56) **References Cited**

U.S. PATENT DOCUMENTS

D225,101 S * 11/1972 Marchetti D9/527
D277,552 S * 2/1985 Kung D9/524
D282,921 S * 3/1986 Eureka D12/218
D324,495 S * 3/1992 Warrington D9/528
D377,604 S * 1/1997 Salmon D9/528
D429,644 S * 8/2000 Hughes D9/569

(Continued)

1 Claim, 7 Drawing Sheets



(56)

References Cited

U.S. PATENT DOCUMENTS

D470,054 S * 2/2003 Gerhart D9/531
D490,319 S * 5/2004 Wiper D9/563
D573,885 S * 7/2008 Considine B65D 25/2897
D9/528
D620,806 S * 8/2010 Ferguson D9/683
D624,425 S * 9/2010 Ferguson D9/528
D658,062 S * 4/2012 Kim D9/563
D672,246 S * 12/2012 McCay D9/543
D678,773 S * 3/2013 DiBiasio D9/528
D696,129 S * 12/2013 DiBiasio D9/528
D735,049 S * 7/2015 Cornelius D9/527
D756,233 S * 5/2016 Romero Salido D9/542
D914,505 S * 3/2021 Cantú D9/527
D919,436 S * 5/2021 Currie D9/569
D934,774 S * 11/2021 Fellman D12/218
2018/0297748 A1 * 10/2018 Tanaka B65D 1/0276
2020/0198826 A1 * 6/2020 Xoy B65D 1/0207

OTHER PUBLICATIONS

No-Spill 1456 5-Gallon Poly Kerosene Can. Date first available:
Feb. 23, 2015. Site visited: Aug. 10, 2022. Available online:
https://www.amazon.com/dp/B00165LDSG/ref=sspa_dk_detail_5
(Year: 2015).*

Jonas C 1.3 Gallon Gas Tank 5L. Date first available: Jul. 5, 2021.
Site visited: Aug. 10, 2022. Available online: https://www.amazon.com/JONAS-Gallon-Container-Gasoline-Motorcycle/dp/B098NPVFB5/ref=sr_1_12 (Year: 2021).*

* cited by examiner

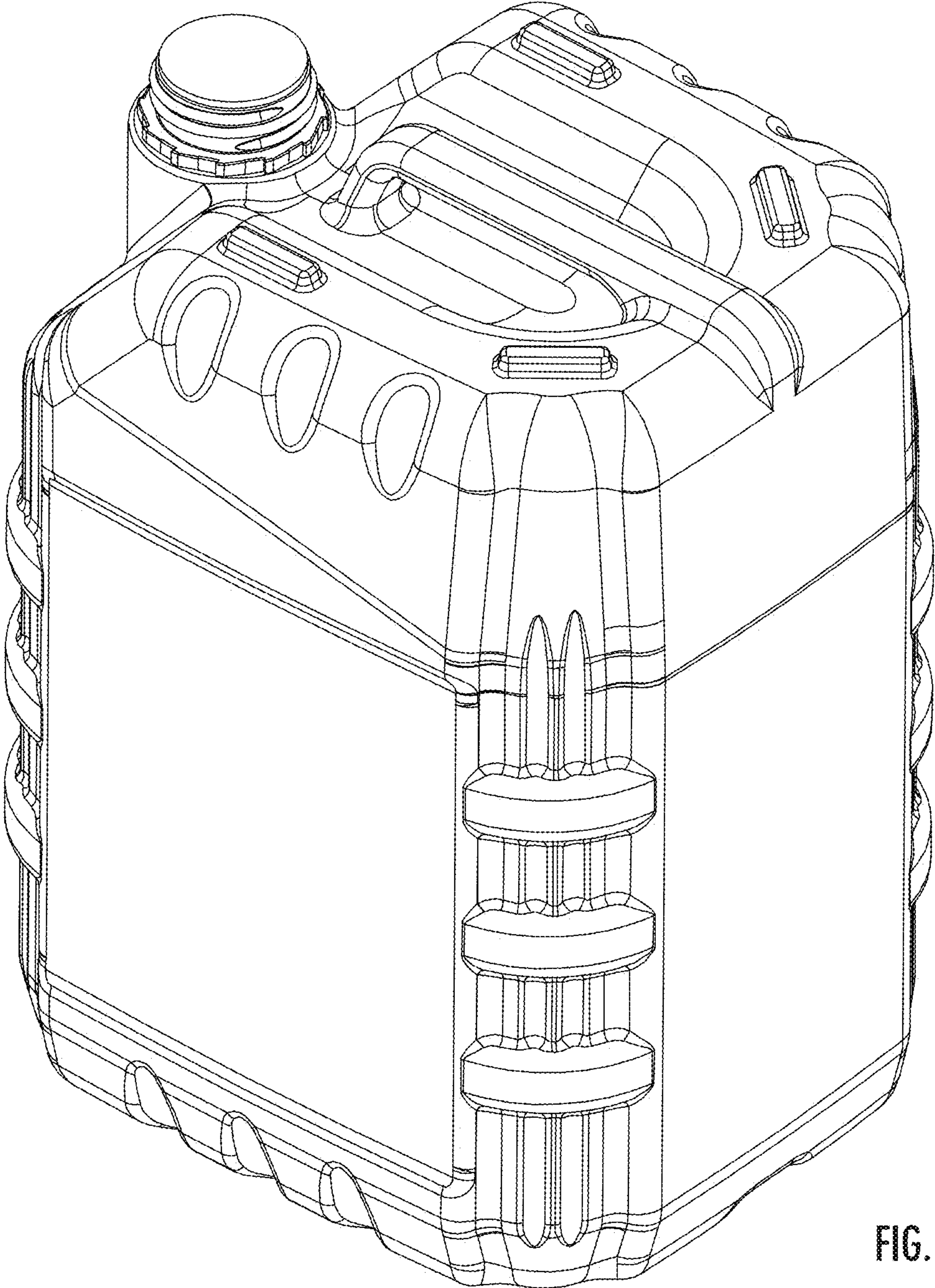


FIG. 1

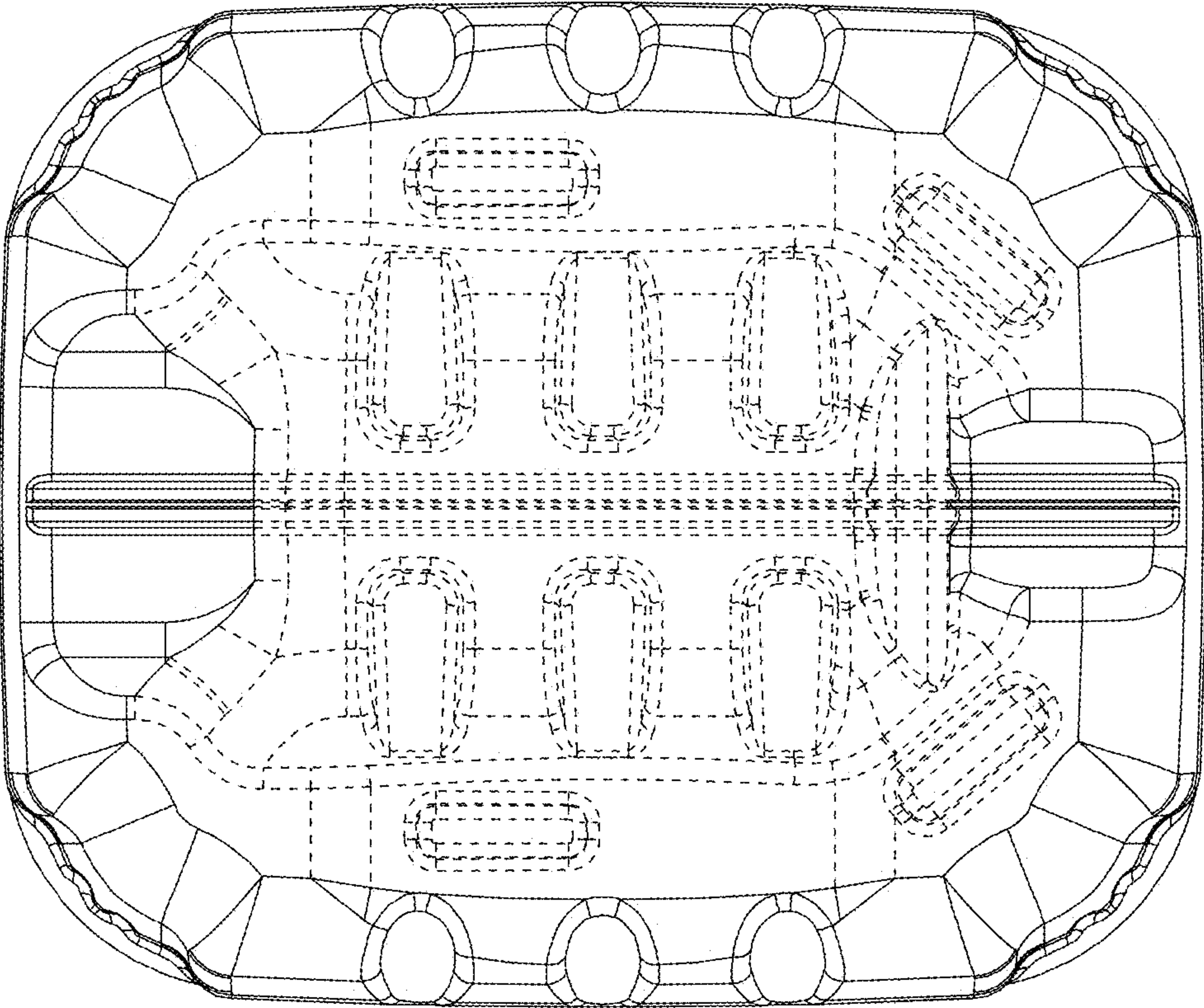


FIG. 2

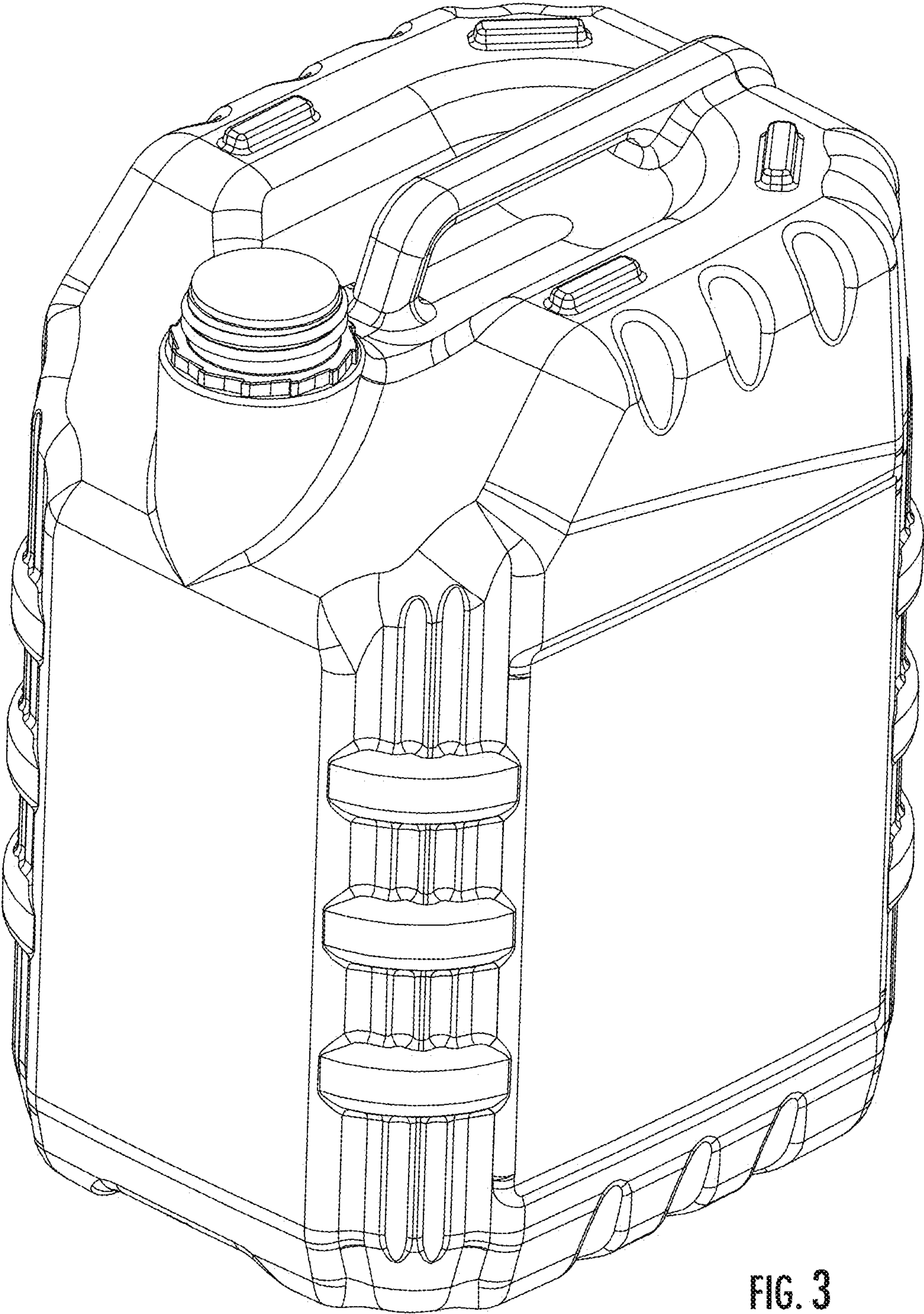


FIG. 3

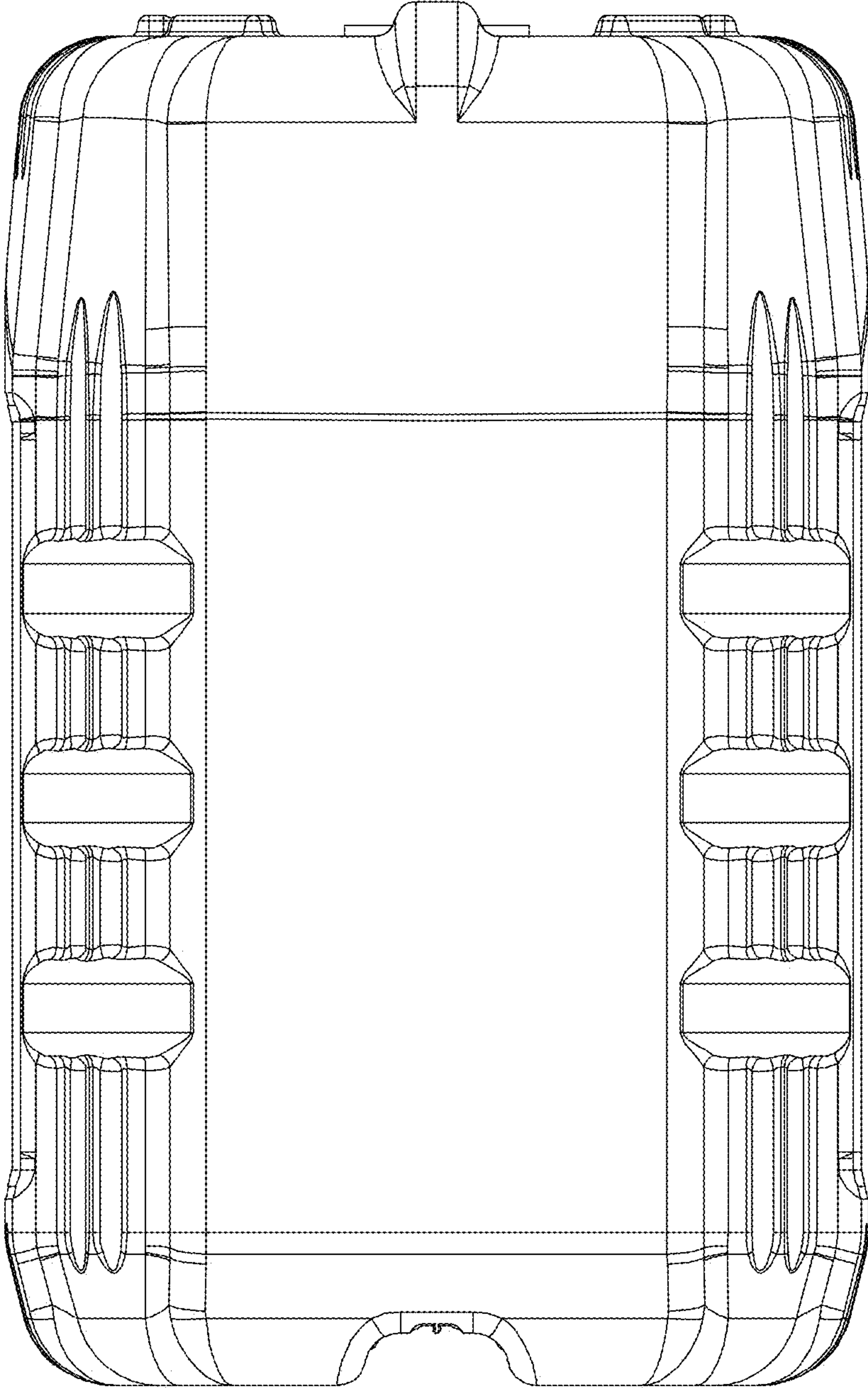


FIG. 4

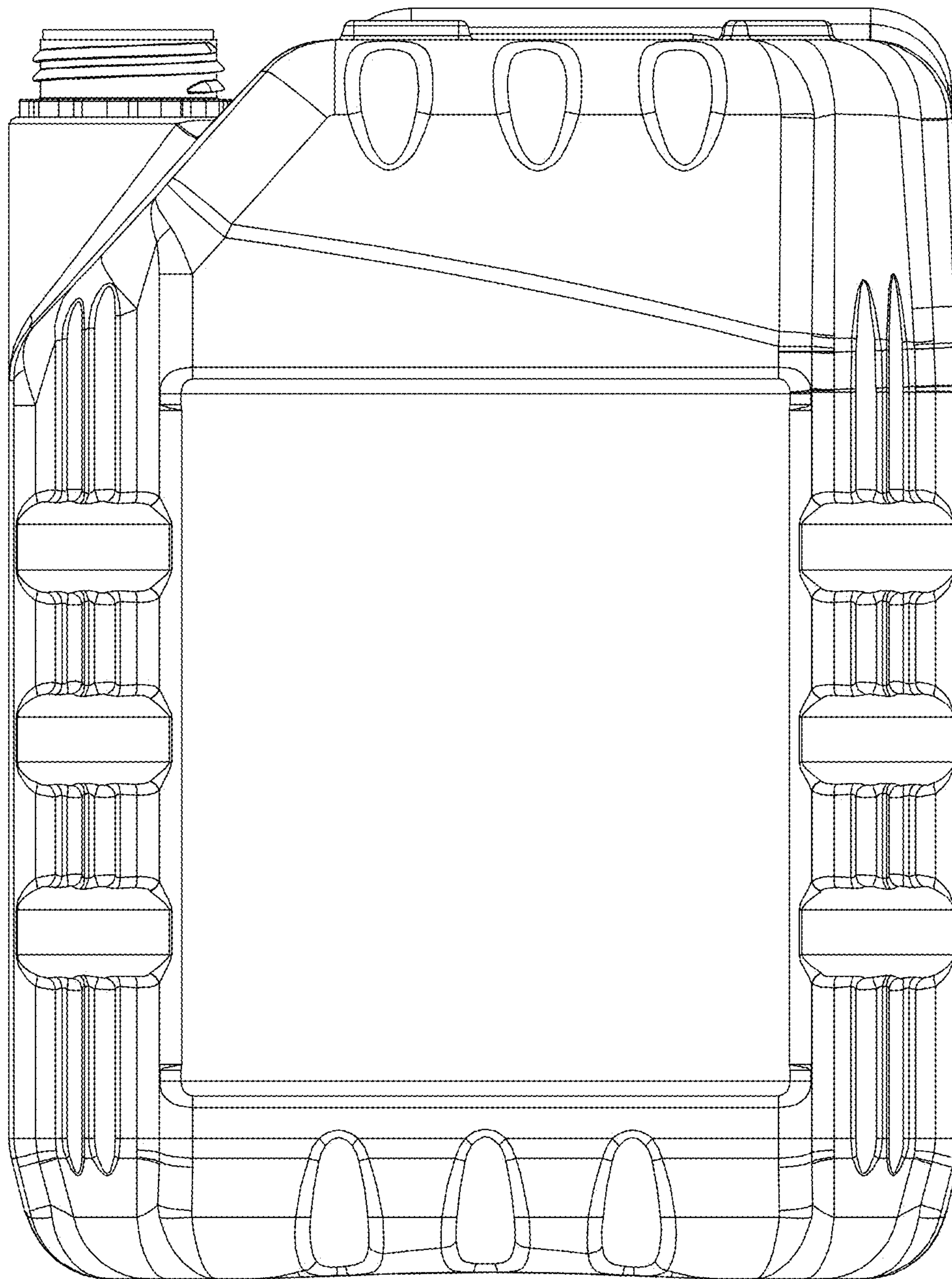


FIG. 5

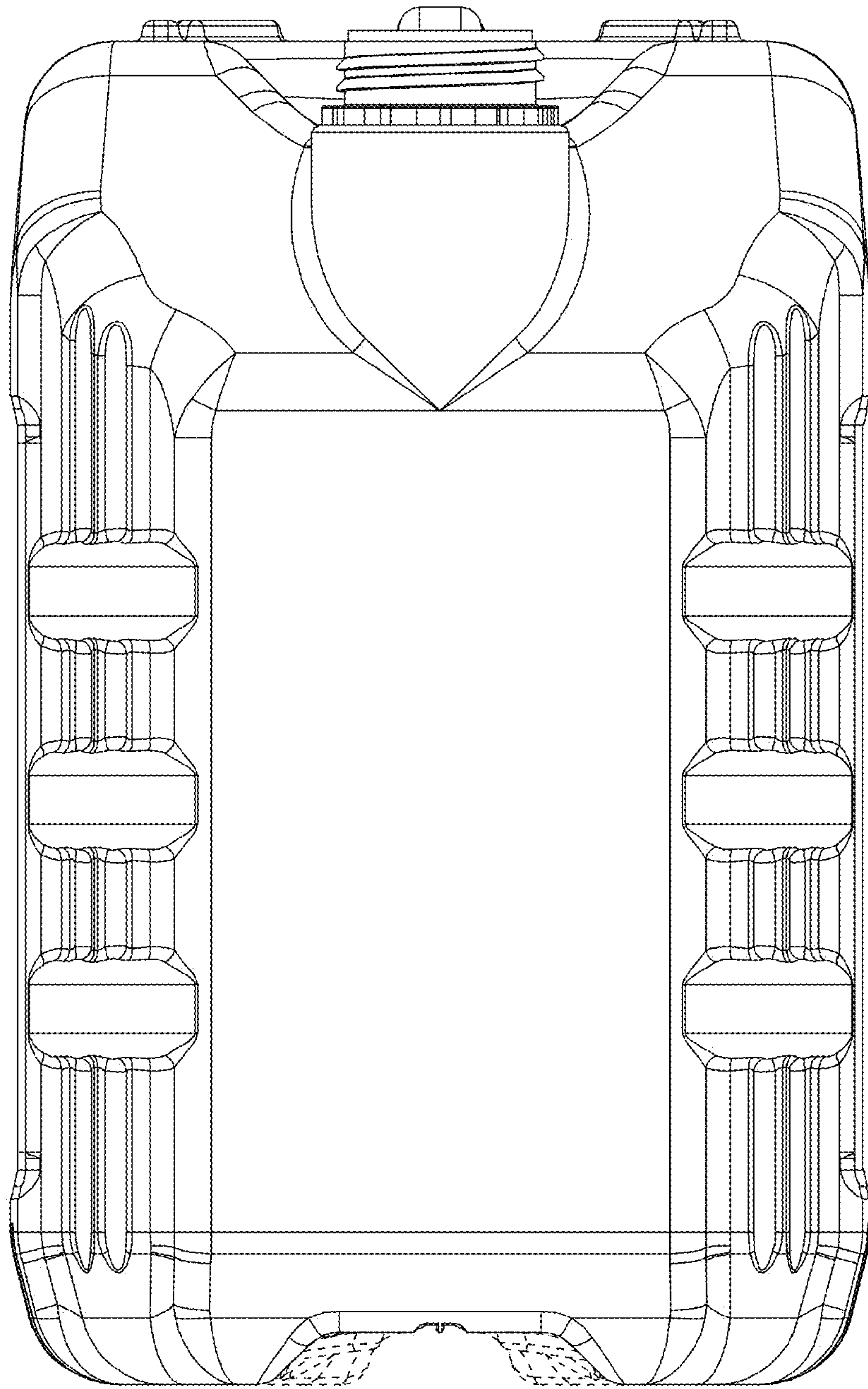


FIG. 6

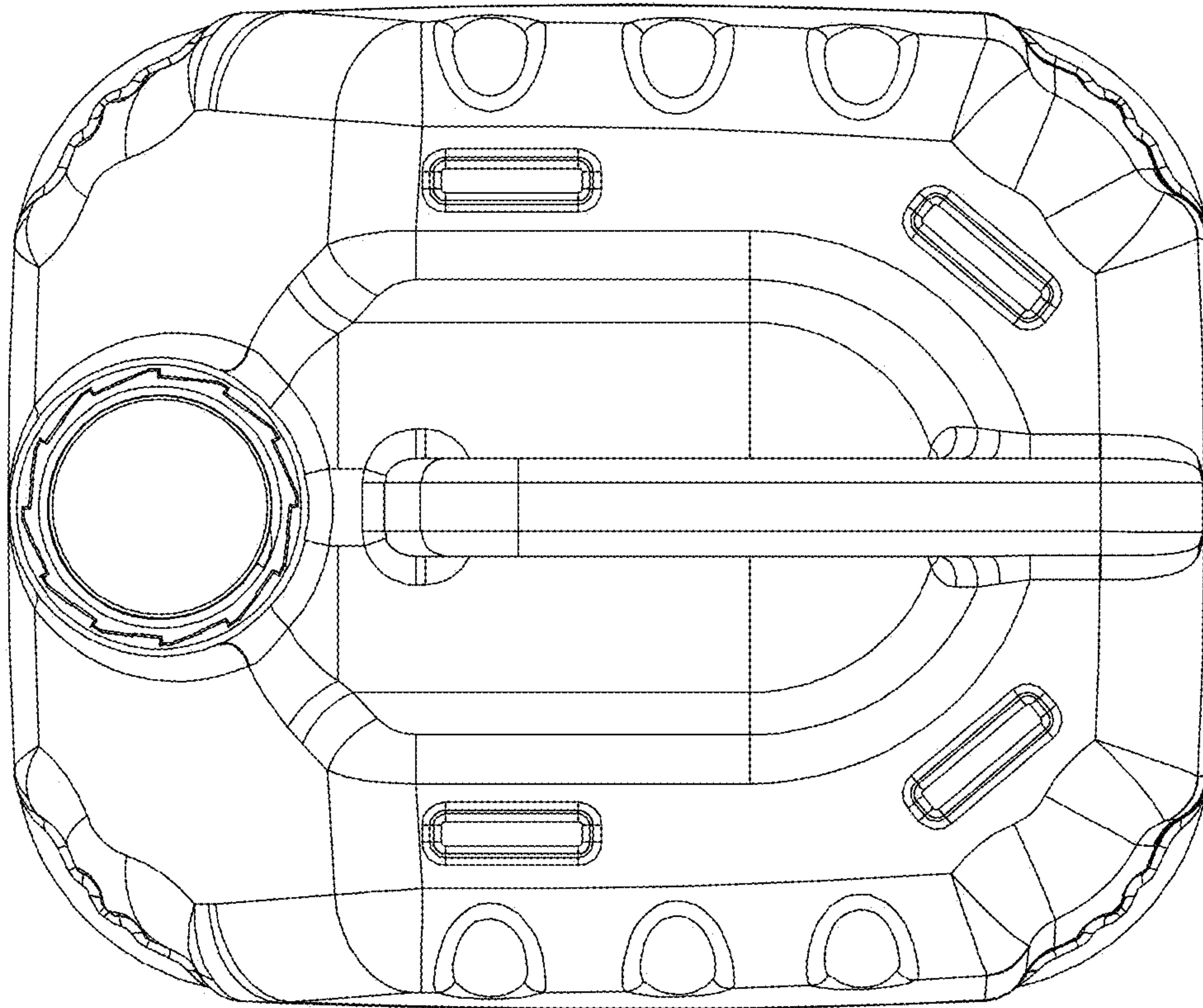


FIG. 7