



US00D982442S

(12) **United States Design Patent** (10) **Patent No.:** **US D982,442 S**
Jäger (45) **Date of Patent:** **** Apr. 4, 2023**

(54) **PART OF A BOTTLE**
(71) Applicant: **Air up group GmbH**, Munich (DE)
(72) Inventor: **Tim Jäger**, Munich (DE)
(**) Term: **15 Years**
(21) Appl. No.: **35/514,988**
(22) Filed: **Aug. 8, 2022**

(80) **Hague Agreement Data**
Int. Filing Date: **Aug. 8, 2022**
Int. Reg. No.: **DM/222773**
Int. Reg. Date: **Aug. 8, 2022**
Int. Reg. Pub. Date: **Aug. 26, 2022**

(51) **LOC (14) Cl.** **09-01**
(52) **U.S. Cl.**
USPC **D9/435; D7/511**
CPC **A45F 3/16** (2013.01)

(58) **Field of Classification Search**
USPC D9/414, 415, 420, 426, 428, 429, 434,
D9/435-453, 503, 505, 516, 520, 529,
D9/544-545, 549, 558, 715, 719, 722;
D7/391, 392.1, 396.1, 396.2, 507,
D7/509-511, 538, 629, 900
CPC B65D 47/00; B65D 47/06; B65D 47/068;
B65D 47/265; B65D 25/48; B65D
43/0225
See application file for complete search history.

(56) **References Cited**
U.S. PATENT DOCUMENTS
D307,115 S * 4/1990 Waymack D9/447
5,277,325 A * 1/1994 Yan B65D 55/145
222/548
D456,256 S * 4/2002 Paczosa D9/435
D548,075 S * 8/2007 Mavin D9/435
D668,150 S * 10/2012 Crapser D9/435
D690,556 S * 10/2013 Boroski D7/510
D715,644 S * 10/2014 Drozd D9/435

D716,661 S * 11/2014 Dubitsky D9/504
D778,725 S * 2/2017 Sorensen D9/434
D813,679 S * 3/2018 Bos D9/563
D820,635 S * 6/2018 Hammer D7/392.1
D821,137 S * 6/2018 Boroski D7/392.1
D821,197 S * 6/2018 Cook D9/435
D831,482 S * 10/2018 Meyers D9/435
D833,874 S * 11/2018 Harrison D9/503
D838,589 S * 1/2019 Bruining D9/435
D851,446 S * 6/2019 Lindsay D9/446
D858,181 S * 9/2019 Lown D9/449
D862,977 S * 10/2019 Bohman D7/392.1
D864,660 S * 10/2019 Omdahl, II D7/396.2
10,464,712 B2 * 11/2019 Campbell A47G 23/0241
10,532,862 B2 * 1/2020 Backs B65D 47/06
D881,639 S * 4/2020 Backs D7/392.1
10,683,147 B2 * 6/2020 Choltco-Devlin ... B65D 47/265
D895,352 S * 9/2020 Yao D7/392.1

(Continued)

Primary Examiner — Richard E Chilcot

(57) **CLAIM**

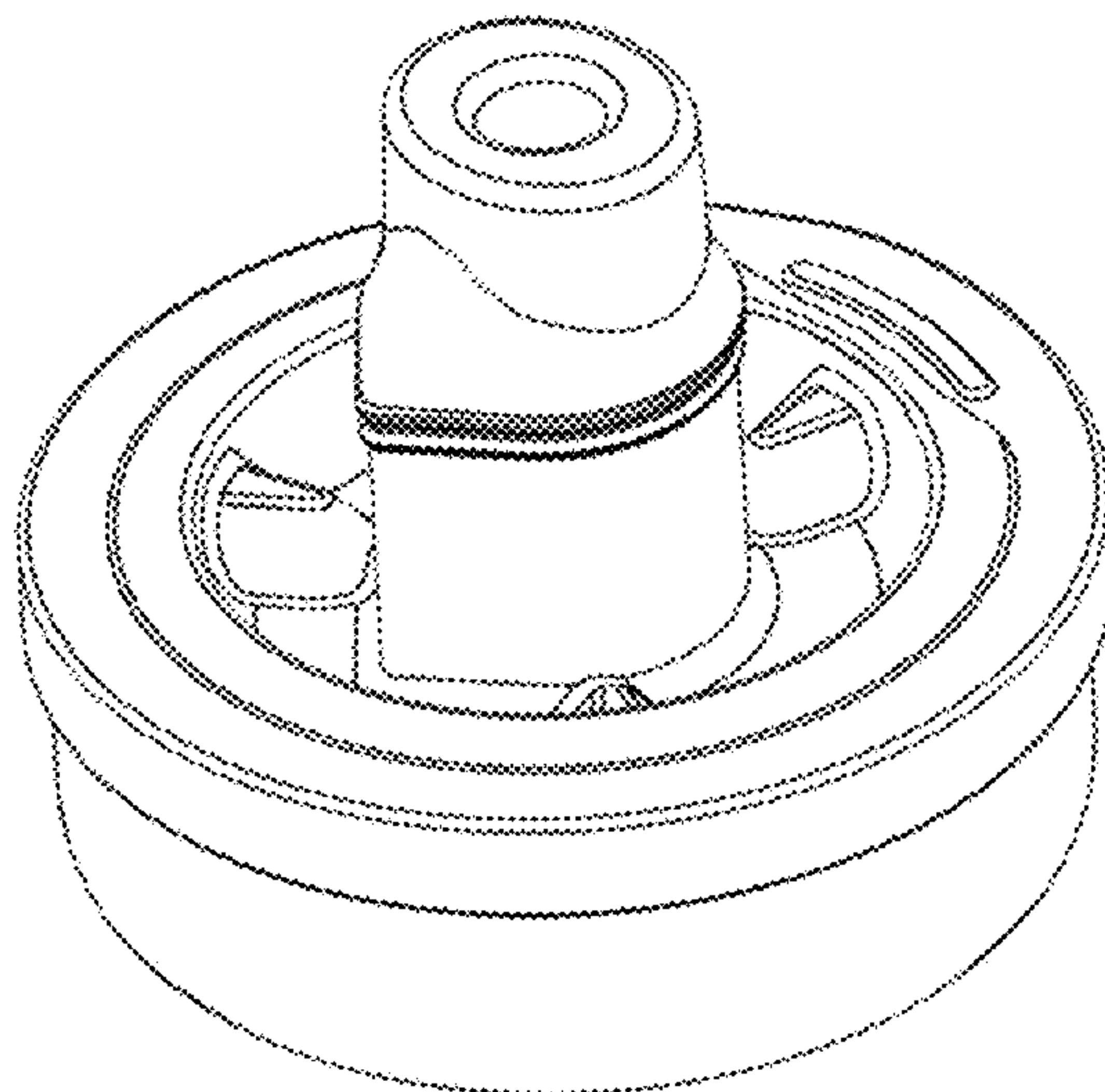
The ornamental design for a part of a bottle, as shown and described.

DESCRIPTION

- 1. Part of a bottle
- 1.1 : Front perspective view
- 1.2 : Right
- 1.3 : Left
- 1.4 : Front
- 1.5 : Back
- 1.6 : Top
- 1.7 : Bottom
- 1.8 : Back perspective view

The representations of the design are in black and white; the design does not claim protection for a specific coloring; Fig. 1.1 is a front perspective view of a part of a bottle; Fig. 1.2 is a right view thereof; Fig. 1.3 is a left view thereof; Fig. 1.4 is a front view thereof; Fig. 1.5 is a back view thereof; Fig. 1.6 is a top view thereof; Fig. 1.7 is a bottom view thereof and Fig. 1.8 is a back perspective view thereof.

1 Claim, 8 Drawing Sheets



(56)

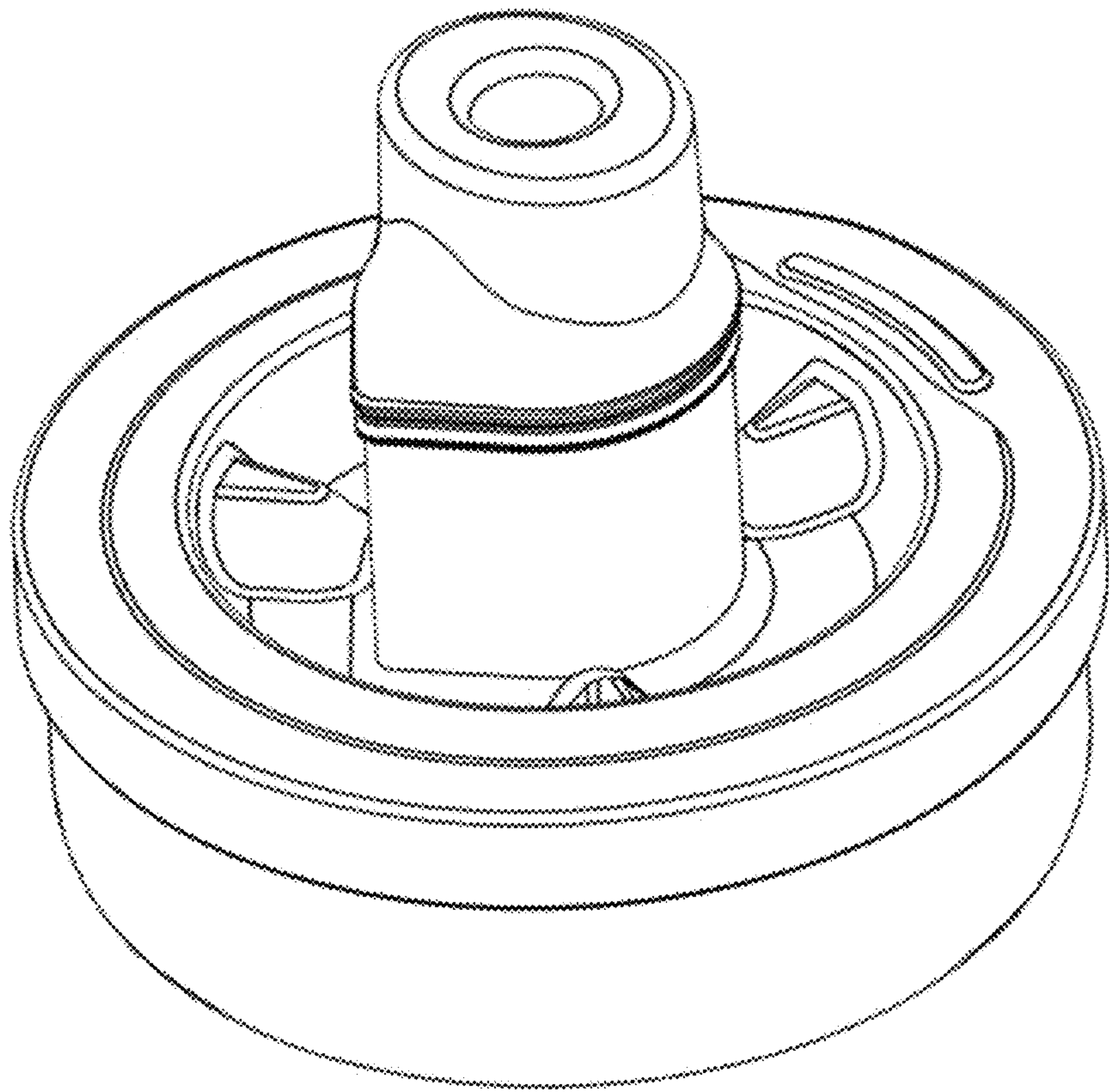
References Cited

U.S. PATENT DOCUMENTS

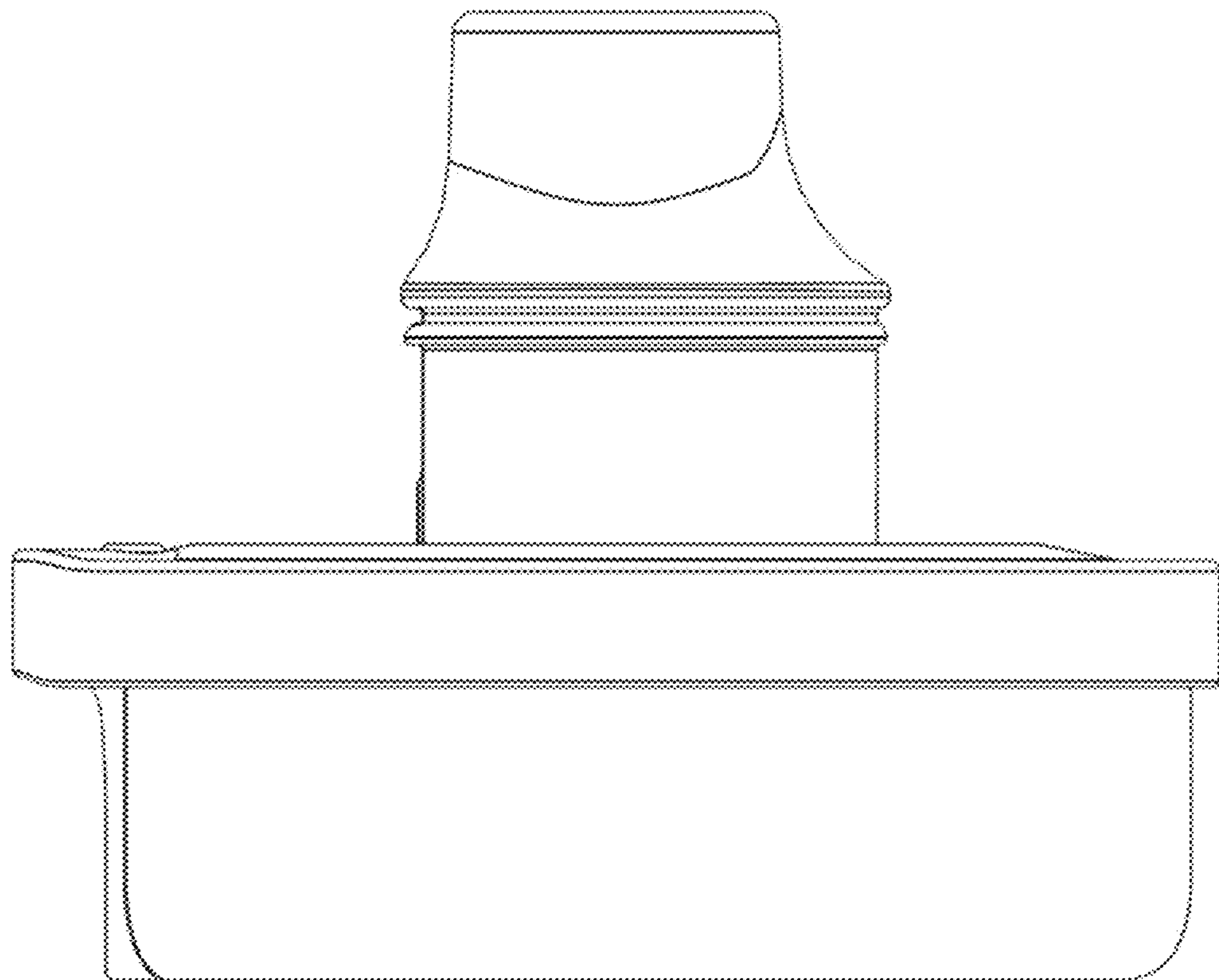
D896,024	S	*	9/2020	Wang	D9/449
D897,206	S	*	9/2020	Moore	D9/449
D899,188	S	*	10/2020	Wang	D7/529
D899,848	S	*	10/2020	Zhang	D9/450
D902,648	S	*	11/2020	Wang	D9/449
D902,655	S	*	11/2020	Wang	D7/510
D904,109	S	*	12/2020	Yao	D7/392.1
D905,498	S	*	12/2020	Zhang	D7/392.1
D913,036	S	*	3/2021	Steenari	D7/392.1
D917,960	S	*	5/2021	Yao	D9/516
D920,789	S	*	6/2021	Evans	D9/447
D923,394	S	*	6/2021	Gu	D7/392.1
D939,957	S	*	1/2022	Jüingst	D9/452
D939,958	S	*	1/2022	Jüingst	D9/452
D940,558	S	*	1/2022	Jüingst	D9/452
D943,419	S	*	2/2022	Zhang	D9/449
D944,053	S	*	2/2022	Yao	D7/392.1
D953,797	S	*	6/2022	Ge	D7/392.1
D957,197	S	*	7/2022	Zhang	D7/392.1
D969,537	S	*	11/2022	Li	D7/392.1
11,511,916	B1	*	11/2022	Bernardo	A45F 3/16
2006/0180585	A1	*	8/2006	Cunningham	B65D 47/244 215/387
2007/0199914	A1	*	8/2007	Hung	B65D 47/243 215/311
2015/0097007	A1	*	4/2015	Garneau	A45F 3/16 222/544
2016/0200486	A1	*	7/2016	Meyers	B65D 47/06 215/229
2016/0376061	A1	*	12/2016	Shirley	B65D 1/02 215/228
2018/0050844	A1	*	2/2018	Hirst	B65D 47/06
2023/0021092	A1	*	1/2023	Xia	B29C 45/14

* cited by examiner

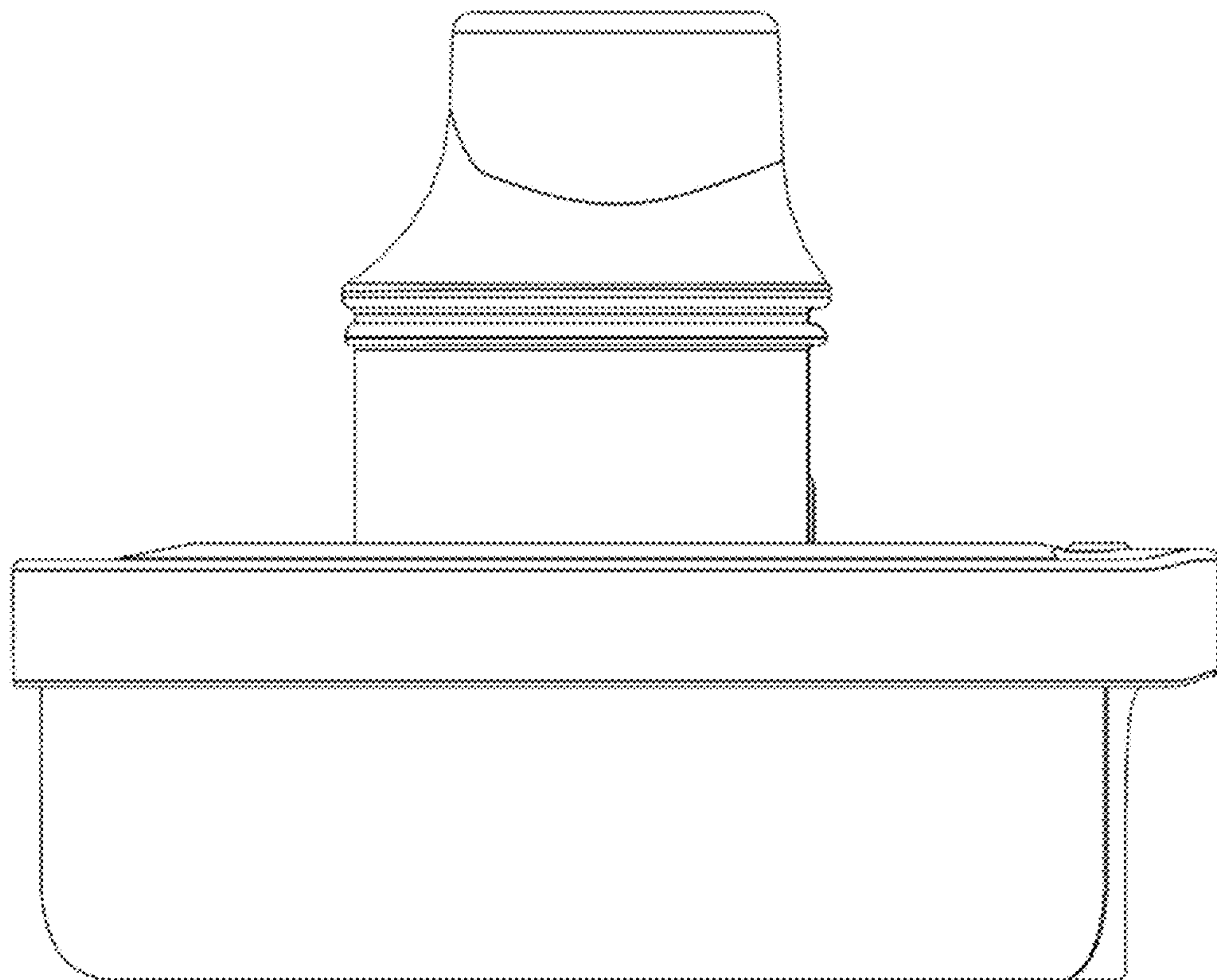
1.1



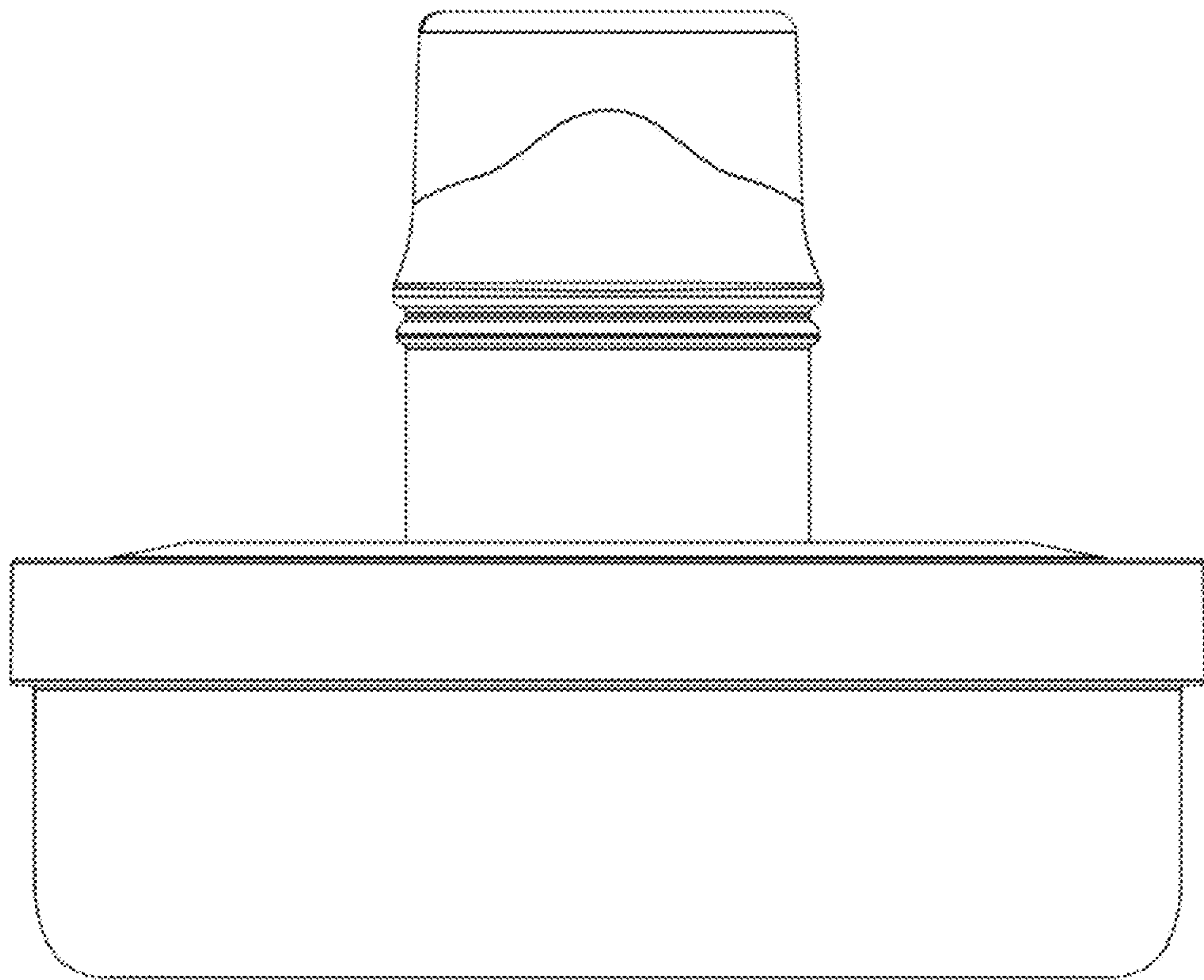
1.2



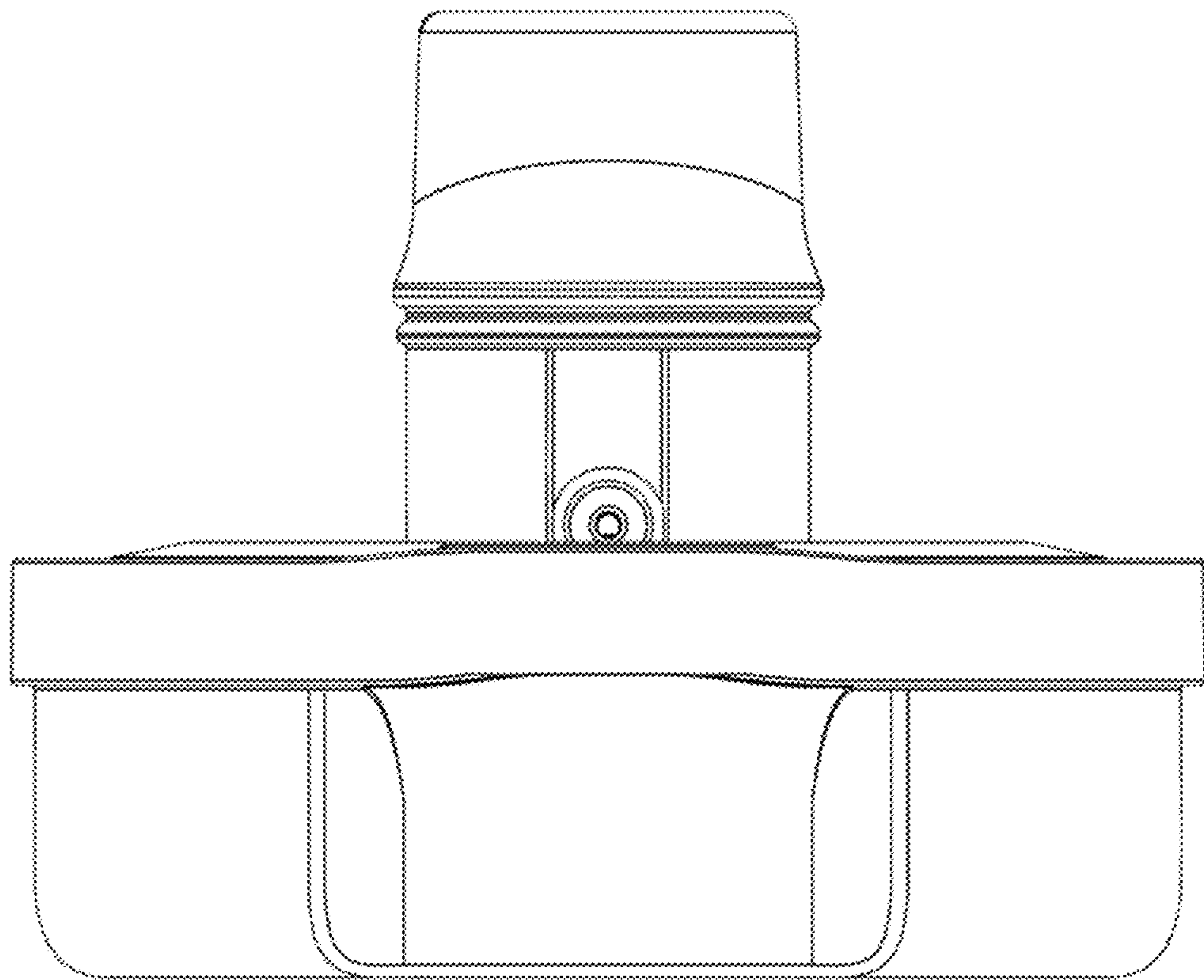
1.3



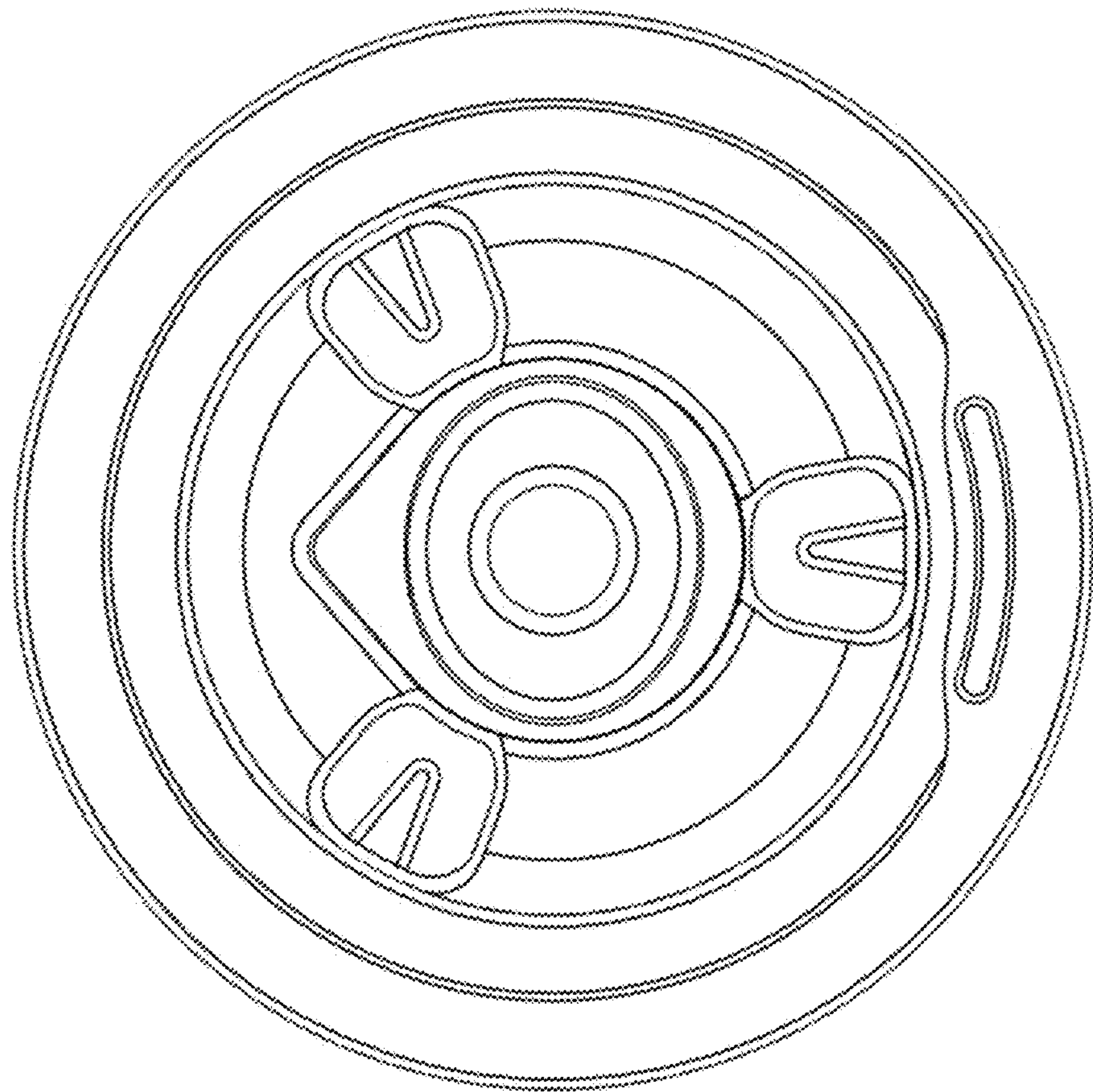
1.4



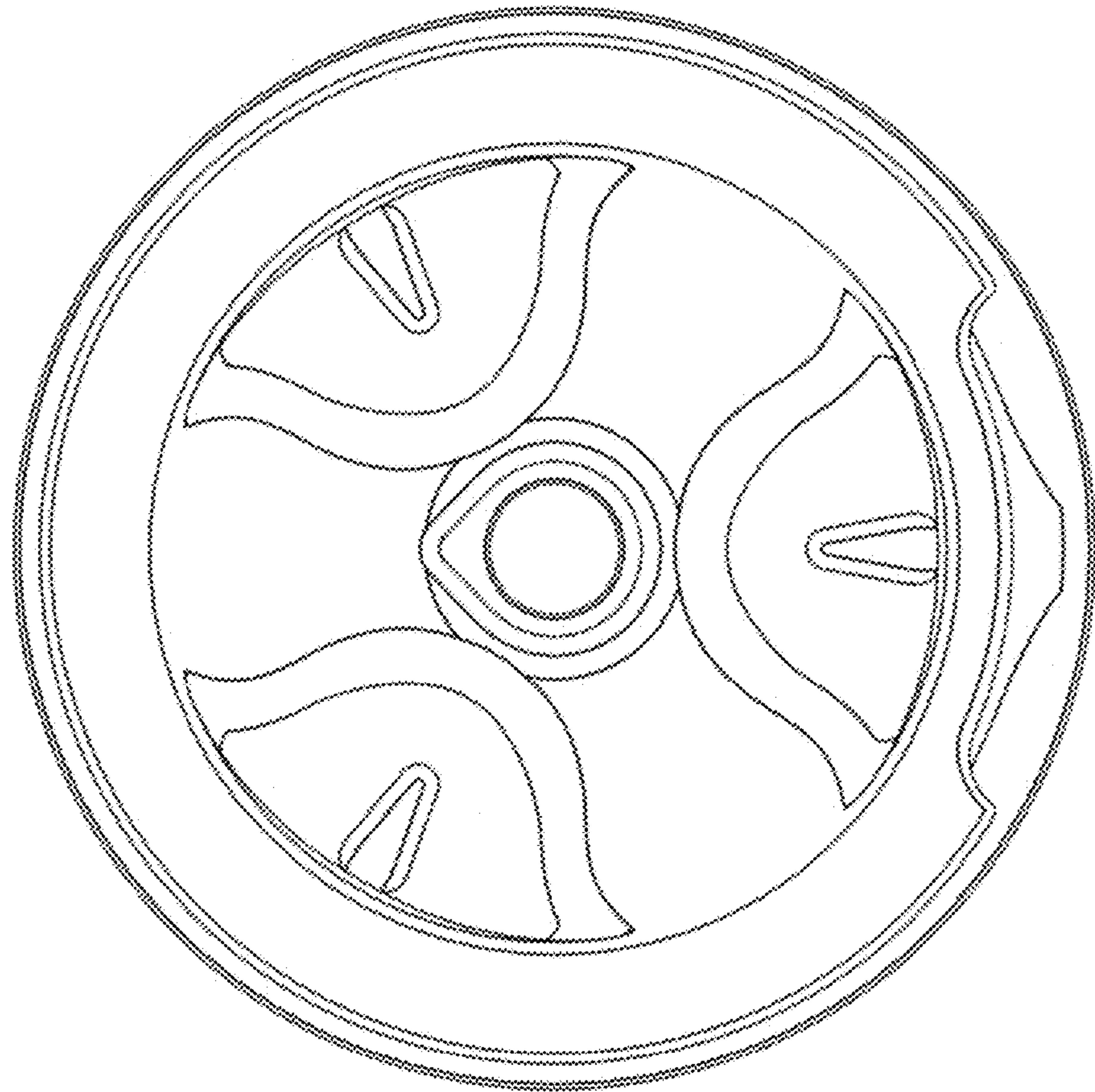
1.5



1.6



1.7



1.8

