



US00D982439S

(12) **United States Design Patent** (10) **Patent No.:** **US D982,439 S**
Yackley (45) **Date of Patent:** **** *Apr. 4, 2023**

- (54) **BOX INSERT**
- (71) Applicant: **After the Tone, LLC**, San Juan Capistrano, CA (US)
- (72) Inventor: **Jacob Yackley**, San Juan Capistrano, CA (US)
- (73) Assignee: **After the Tone, LLC**, San Clemente, CA (US)
- (*) Notice: This patent is subject to a terminal disclaimer.
- (**) Term: **15 Years**
- (21) Appl. No.: **29/836,000**
- (22) Filed: **Apr. 22, 2022**
- (51) **LOC (14) Cl.** **09-03**
- (52) **U.S. Cl.**
USPC **D9/432**
- (58) **Field of Classification Search**
USPC D9/669, 737, 748, 749, 756, 759, 760, D9/655, 661, 662, 459, 456, 500, 501, D9/502, 503, 414, 415, 416, 418, 424, D9/430, 432, 433; D3/272, 273, 304; D6/675, 683, 683.1
CPC B65D 5/00; B65D 5/001; B65D 5/0015; B65D 5/0227-0254; B65D 5/18; B65D 5/38; B65D 5/40; B65D 5/2033; B65D 5/40024; B65D 5/6605; B65D 1/22; B65D 1/24; B65D 1/34; B65B 25/001; B65B 5/068; B65B 7/2878; A23L 15/30
See application file for complete search history.

- D395,003 S * 6/1998 Daniels D9/737
 - D413,442 S * 9/1999 Jacober D3/304
 - D420,283 S * 2/2000 Reichel D9/759
 - D498,418 S * 11/2004 Wickenhauser D9/455
- (Continued)

OTHER PUBLICATIONS

Kraft Cardboard Paper Box: Site Visited (Sep. 28, 2022). Available from URL: https://www.alibaba.com/product-detail/Kraft-cardboard-paper-protect-mobile-cell_1600056408678.html?spm=a2700.pccps_detail.0.0.22fc4abcNqudo9.*

(Continued)

Primary Examiner — Catherine S Posthauer
(74) *Attorney, Agent, or Firm* — Katherine B. Sales, Esq.; Concourse Law Group

(57) **CLAIM**

The ornamental design for a box insert, as shown and described.

DESCRIPTION

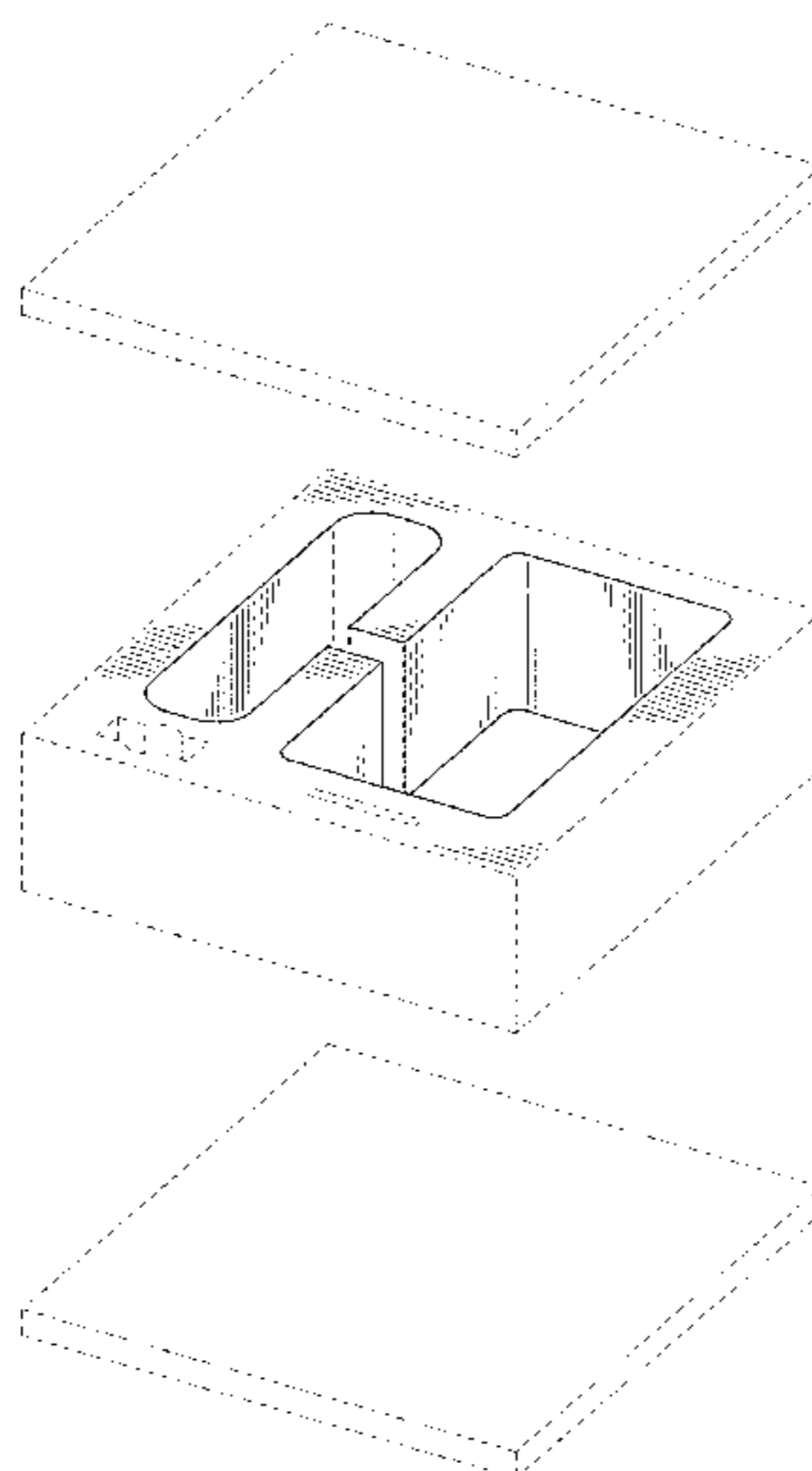
FIG. 1 is an exploded perspective view of a box insert, showing my new design, shown in a position of use with exemplary environmental subject matter;
FIG. 2 is a perspective view thereof, shown in a closed configuration;
FIG. 3 is a front elevation view thereof;
FIG. 4 is a left side elevation view thereof;
FIG. 5 is a top plan view thereof, shown independent of the environmental subject matter to show aspects of the design not visible when combined;
FIG. 6 is a bottom plan view thereof; and,
FIG. 7 is another exploded perspective view as shown in FIG. 1, shown with additional environmental subject matter of an exemplary box.
The broken lines are shown for the purpose of illustrating parts of the article as well as environmental subject matter of exemplary packing elements and a box. None of the broken lines form part of the claimed design.

1 Claim, 4 Drawing Sheets

(56) **References Cited**

U.S. PATENT DOCUMENTS

- D22,290 S * 3/1893 Burnworth D9/737
- D200,934 S * 4/1965 Borowick D9/737
- D240,199 S * 6/1976 Perfect D9/456
- D280,290 S * 8/1985 Bakus D9/425
- D332,393 S * 1/1993 Boone D9/760



(56)

References Cited

U.S. PATENT DOCUMENTS

D523,338 S * 6/2006 Hoge D9/456
 D568,765 S * 5/2008 Miles D9/737
 D589,798 S * 4/2009 Liipola D9/456
 D593,325 S * 6/2009 Evans D3/273
 D596,030 S * 7/2009 Liipola D9/456
 D629,310 S * 12/2010 Tran D9/418
 D646,984 S * 10/2011 Moore D9/737
 D663,205 S * 7/2012 Nelson D9/456
 D663,206 S * 7/2012 Nelson D9/456
 D674,709 S * 1/2013 Akana D9/737
 D685,654 S * 7/2013 Akana D9/737
 D689,772 S * 9/2013 Jones D9/456
 D709,767 S * 7/2014 Morrison D9/456
 D713,725 S 9/2014 Cedenó
 D714,149 S 9/2014 Cedenó
 D731,325 S * 6/2015 Loessin D9/737
 D766,718 S 9/2016 Beckers et al.
 D767,409 S * 9/2016 Nickell D9/737
 D769,718 S 10/2016 Houdijk et al.
 D774,393 S 12/2016 Wu
 D800,915 S * 10/2017 Livingston D24/224
 D801,763 S * 11/2017 Neumann A45C 11/20
 D805,921 S * 12/2017 Torchin D9/737

D815,959 S * 4/2018 Torchin D9/737
 D840,249 S * 2/2019 Payne D9/760
 D849,557 S * 5/2019 Troudt D9/737
 D871,921 S * 1/2020 Troudt D9/737
 D875,530 S * 2/2020 Sill D9/456
 D883,802 S * 5/2020 Meech D9/748
 D889,967 S * 7/2020 Glass D9/456
 D890,609 S * 7/2020 Glassman D9/456
 D895,439 S * 9/2020 Meech D9/748
 D897,198 S * 9/2020 Kenworthy D9/423
 D897,836 S * 10/2020 Kenworthy D9/423
 D897,837 S * 10/2020 Kenworthy D9/423
 D897,838 S * 10/2020 Kenworthy D9/423
 D908,498 S * 1/2021 Natsume D9/456
 D948,745 S * 4/2022 Gross D9/414
 D959,287 S * 8/2022 Dominion D9/761
 11,426,025 B1 * 8/2022 Amirault A47J 36/2405

OTHER PUBLICATIONS

Rotary Telephone Box: Site Visited (Sep. 28, 2022). Available from Internet URL: https://www.mercari.com/us/item/m38768398126/?gclid=aw.ds&&utm_source=google&utm_medium=cpc&utm_campaign=16866250059&utm_content=E2%80%A6%201/5.*

* cited by examiner

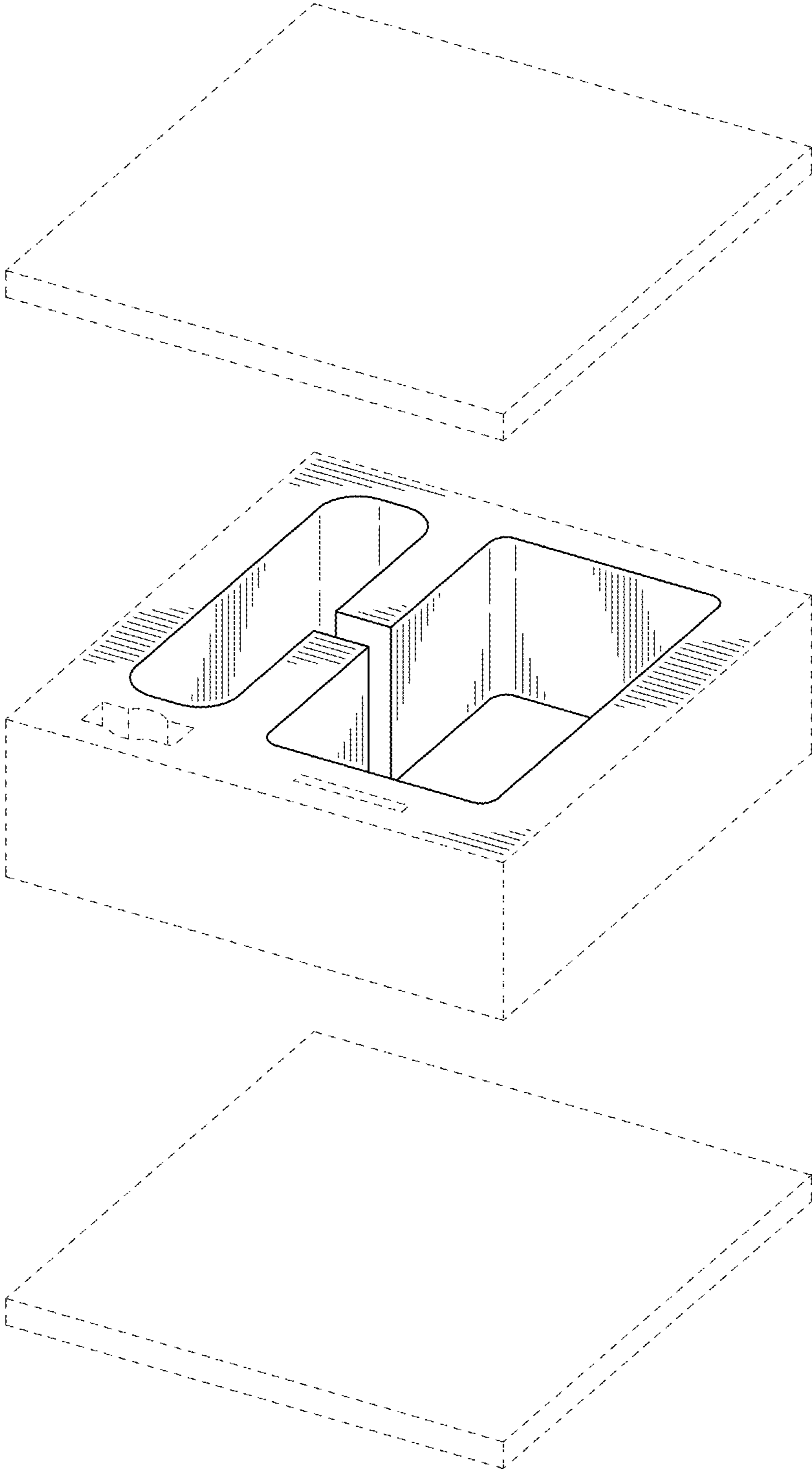


FIG. 1

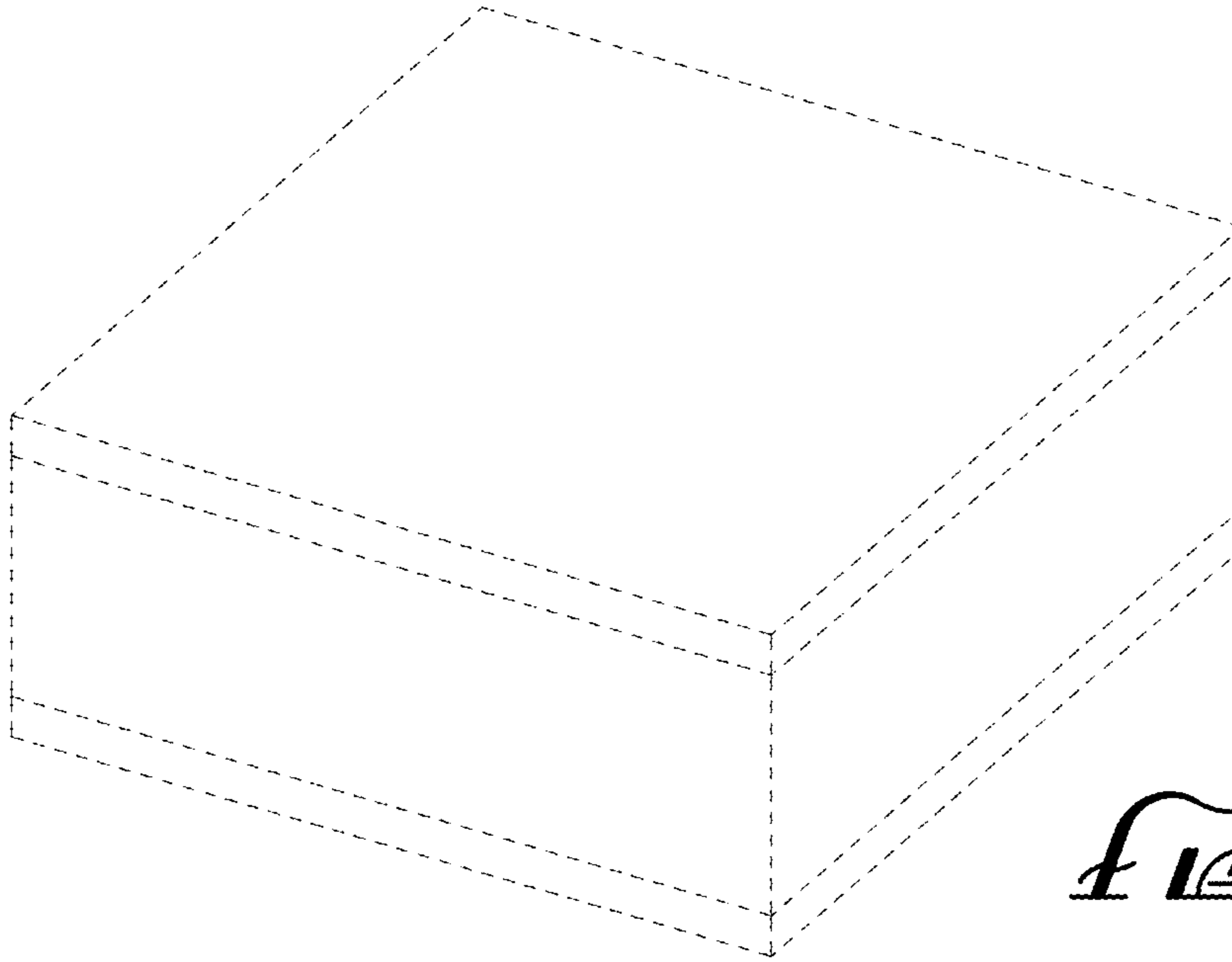


FIG. 2

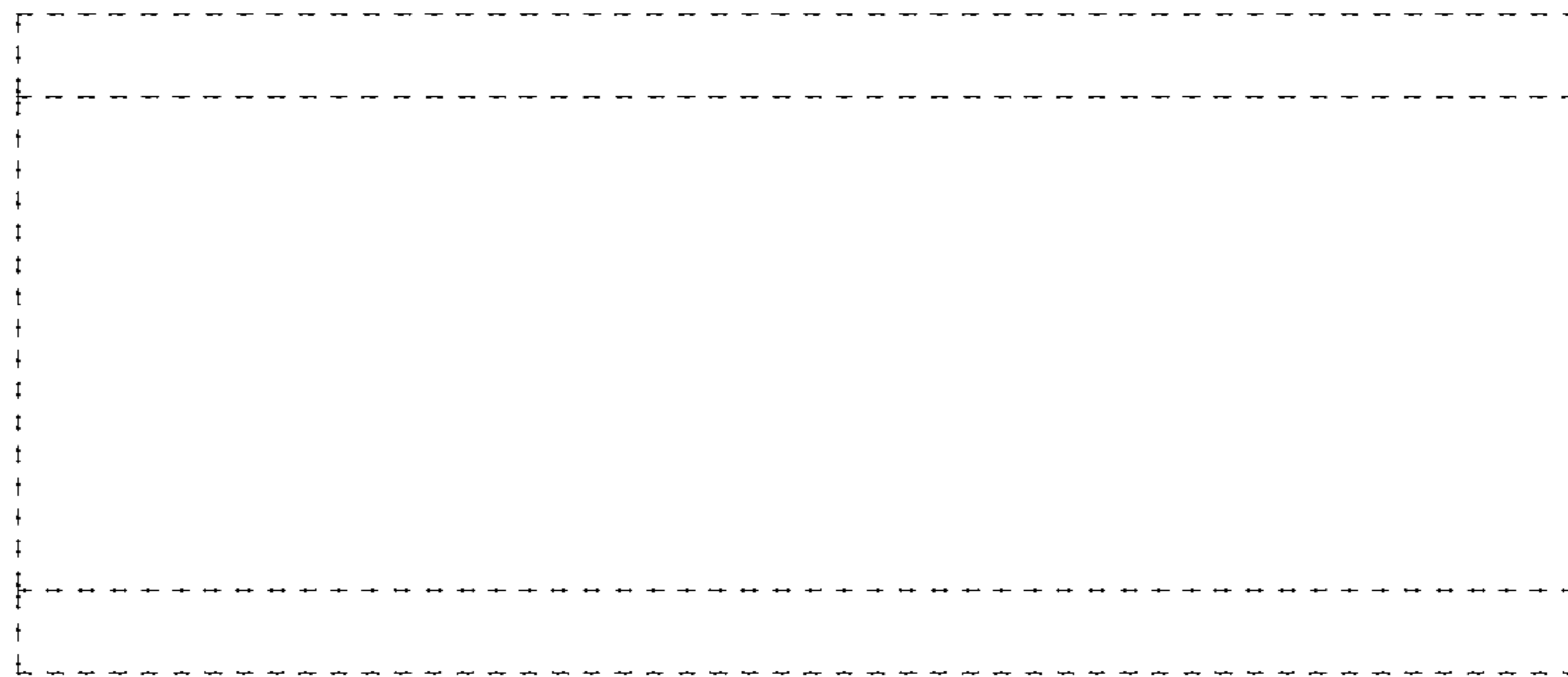


FIG. 3

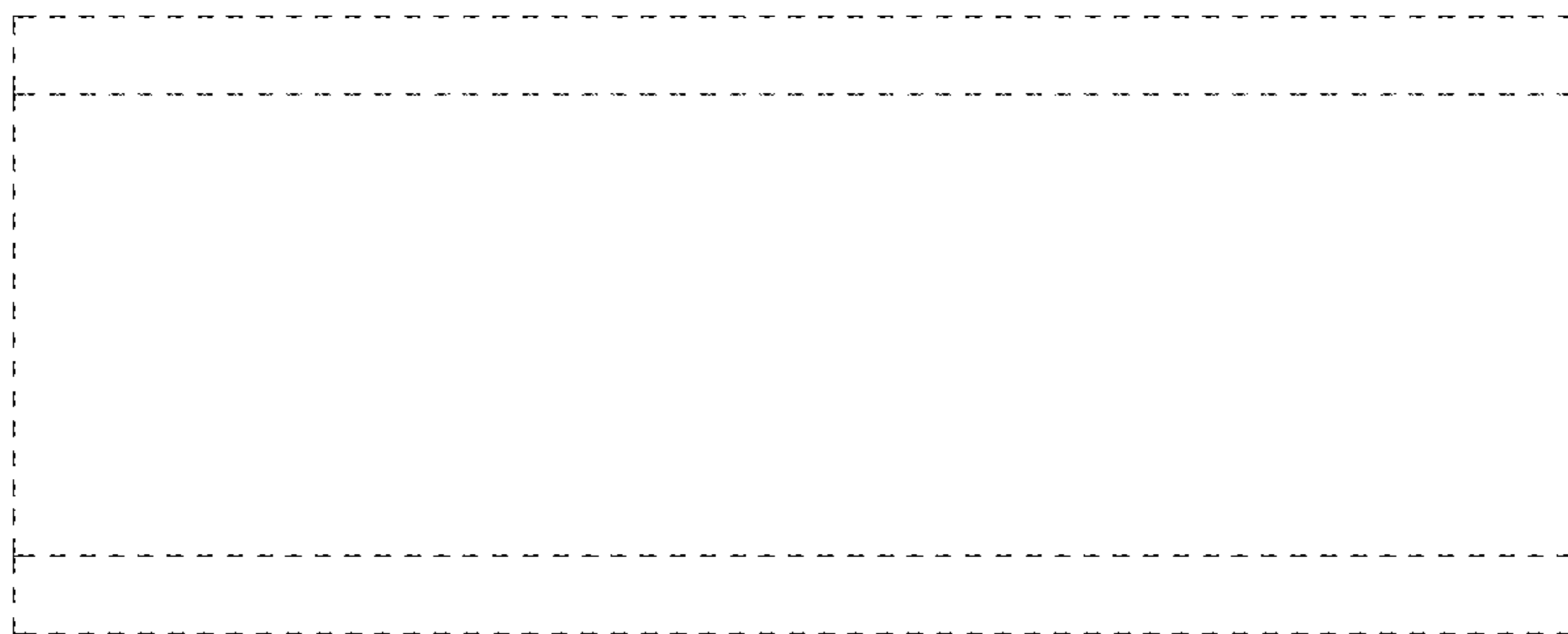


FIG. 4

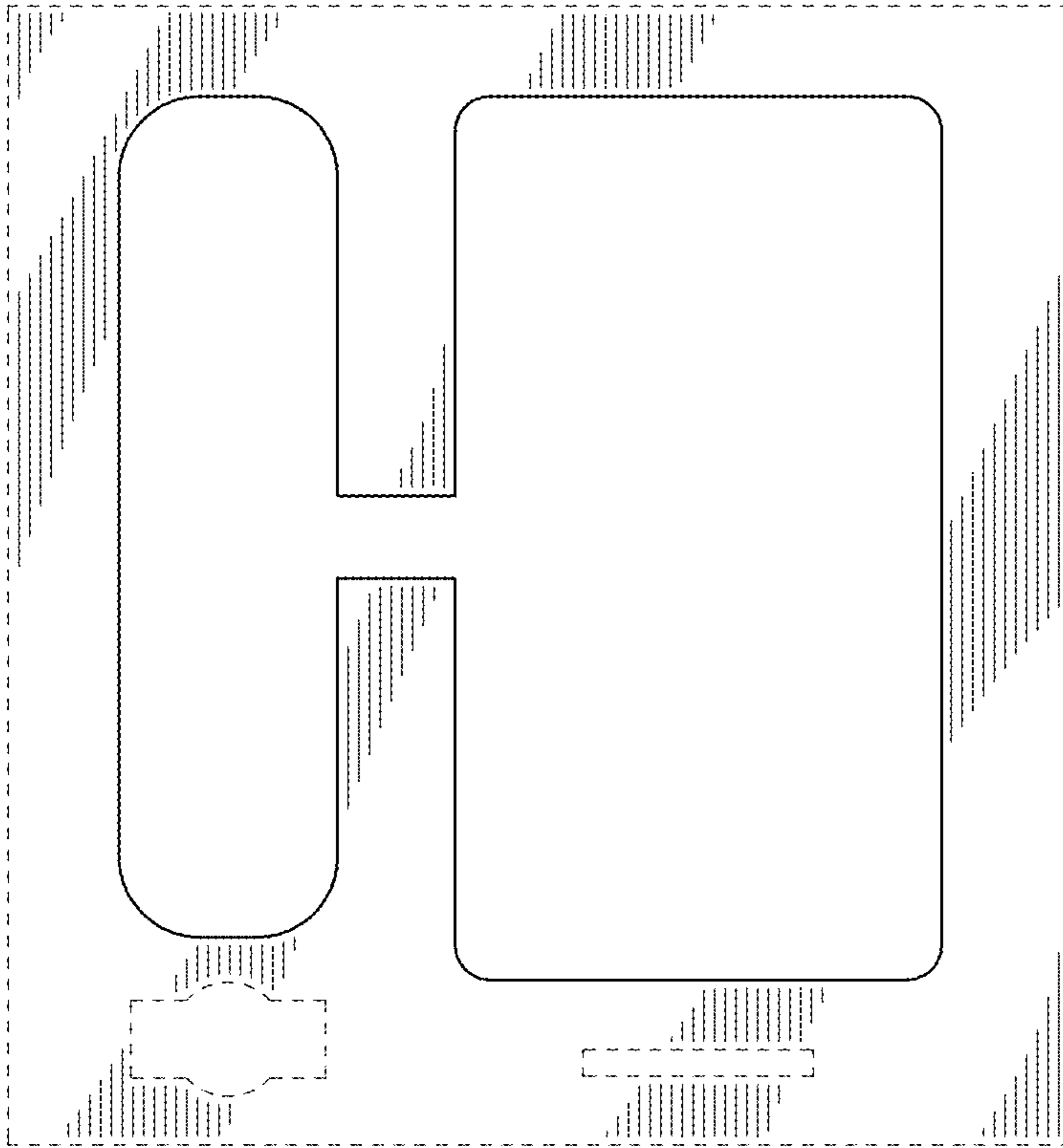


FIG. 5

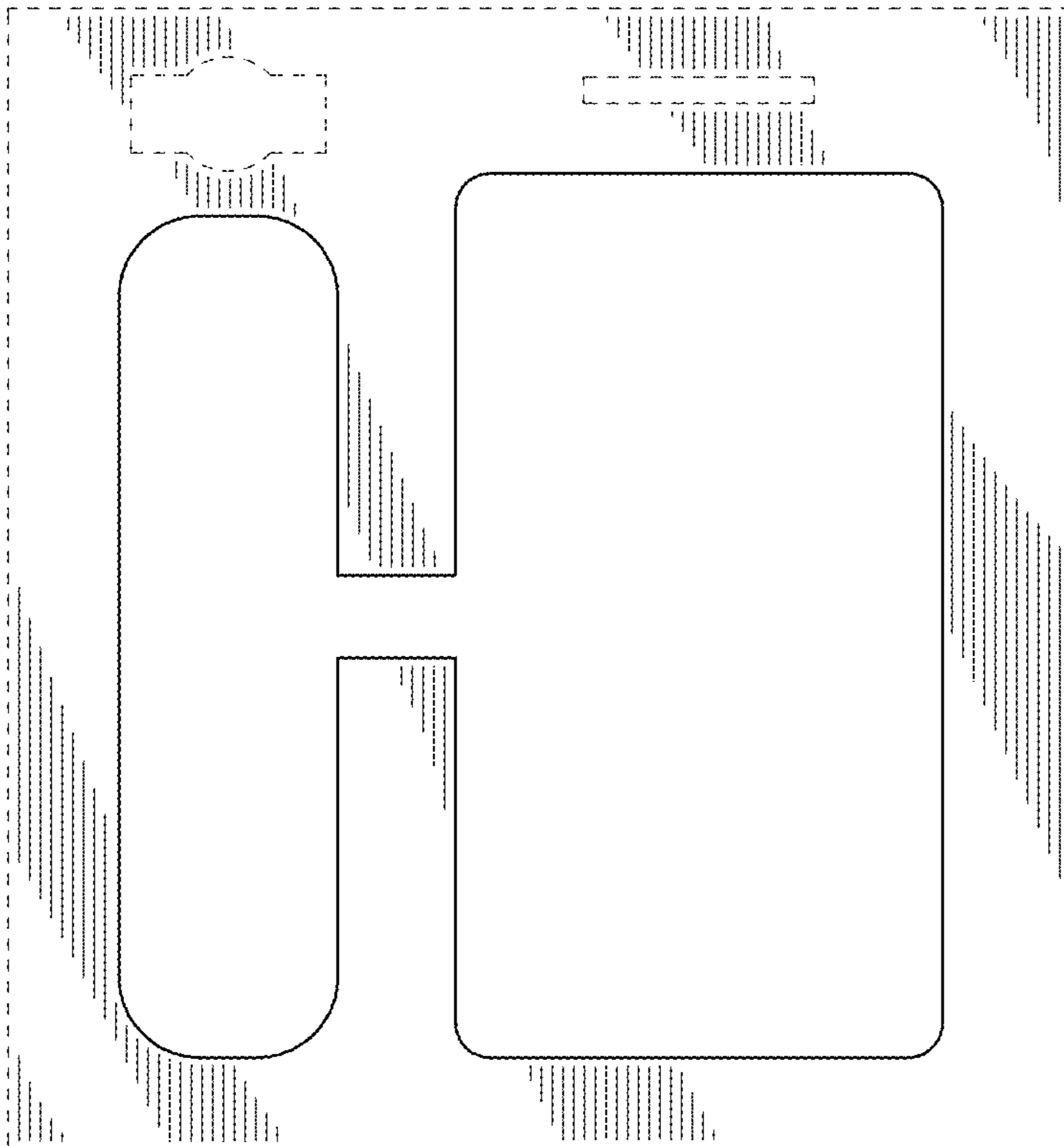


FIG. 6

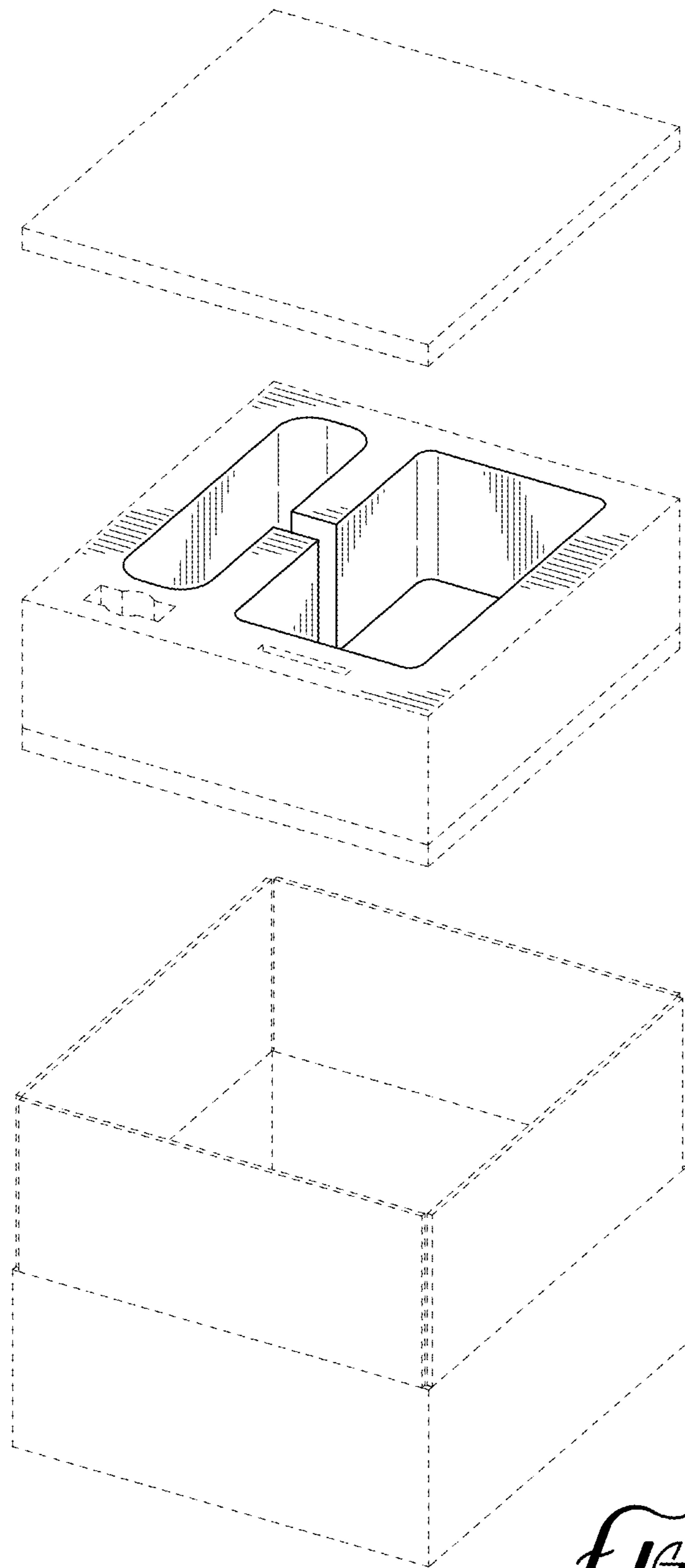


FIG. 7