



US00D982437S

(12) **United States Design Patent** (10) **Patent No.:** **US D982,437 S**  
**Hesse** (45) **Date of Patent:** **\*\* Apr. 4, 2023**

(54) **DISPLAY BOX**

(71) Applicant: **J. Christopher Hesse**, Aspen, CO (US)

(72) Inventor: **J. Christopher Hesse**, Aspen, CO (US)

(\*\*) Term: **15 Years**

(21) Appl. No.: **29/748,909**

(22) Filed: **Sep. 1, 2020**

(51) **LOC (14) Cl.** ..... **09-03**

(52) **U.S. Cl.**

USPC ..... **D9/432**

(58) **Field of Classification Search**

USPC ..... D9/433, 414, 415, 420, 423, 737, 430,  
D9/432; D7/601-602; 206/526;  
229/125.28, 125.32

CPC ..... B65D 5/5206; B65D 5/00; B65D 5/5246;  
B65D 5/5266; B65D 5/5286; A47F 5/112

See application file for complete search history.

(56) **References Cited**

**U.S. PATENT DOCUMENTS**

1,472,953	A *	11/1923	Bamber	.....	B65D 5/524 206/45.29
1,499,987	A *	7/1924	Roe	.....	B65D 5/5206 206/45.25
1,556,074	A *	10/1925	Byrne	.....	B65D 5/5213 206/45.3
1,576,731	A *	3/1926	Jack	.....	B65D 5/5206 206/45.25
1,761,232	A *	6/1930	Powell	.....	B65D 5/5206 206/45.3

(Continued)

**FOREIGN PATENT DOCUMENTS**

JP	D1425603	* 10/2011
JP	D1456766	* 12/2012

**OTHER PUBLICATIONS**

PackMojo 4 Tips For Designing Display Boxes Blog Post. Announced online (Mar. 8, 2021). Site visited Jun. 3, 2022. Available from internet URL: <https://packmojo.com/blog/4-tips-for-designing-display-boxes/> (Year: 2021).\*

(Continued)

*Primary Examiner* — Catherine S Posthauer

*Assistant Examiner* — Joan E. Diehl

(57) **CLAIM**

The ornamental design for a display box, as shown and described.

**DESCRIPTION**

FIG. 1 is a perspective view of a display box, showing our new design, in a closed configuration and situated in an upright position;

FIG. 2 is a front view thereof.

FIG. 3 is a rear view thereof.

FIG. 4 is a right side view thereof.

FIG. 5 is a left side view thereof.

FIG. 6 is a top down view thereof.

FIG. 7 is a bottom up view thereof.

FIG. 8 is a perspective view of a display box, shown in an open configuration with the top portion removed, and showing exemplary food bar packages inside;

FIG. 9 is a perspective view thereof, shown with the exemplary food bar packages removed;

FIG. 10 is a front view thereof.

FIG. 11 is a rear view thereof.

FIG. 12 is a left side view thereof.

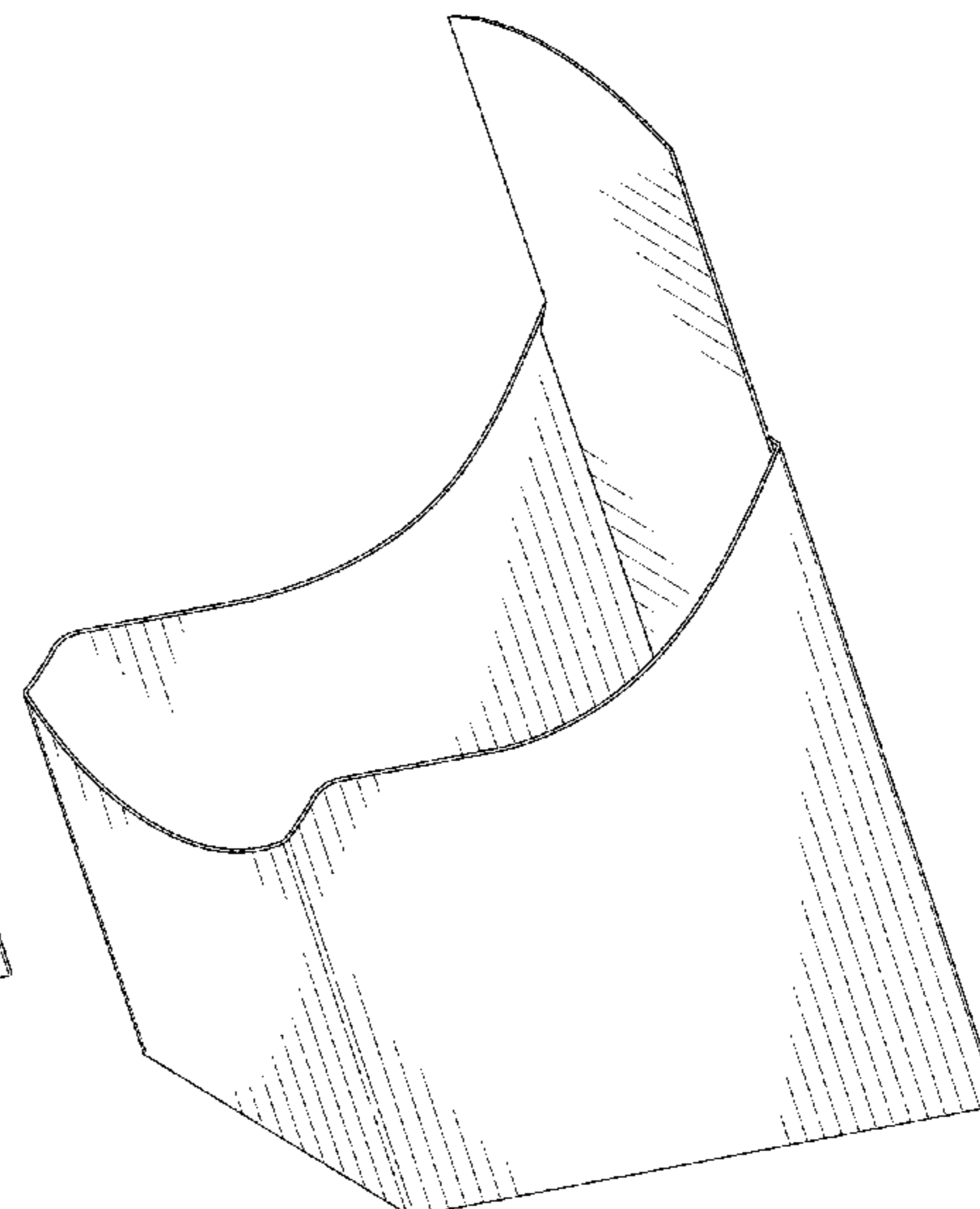
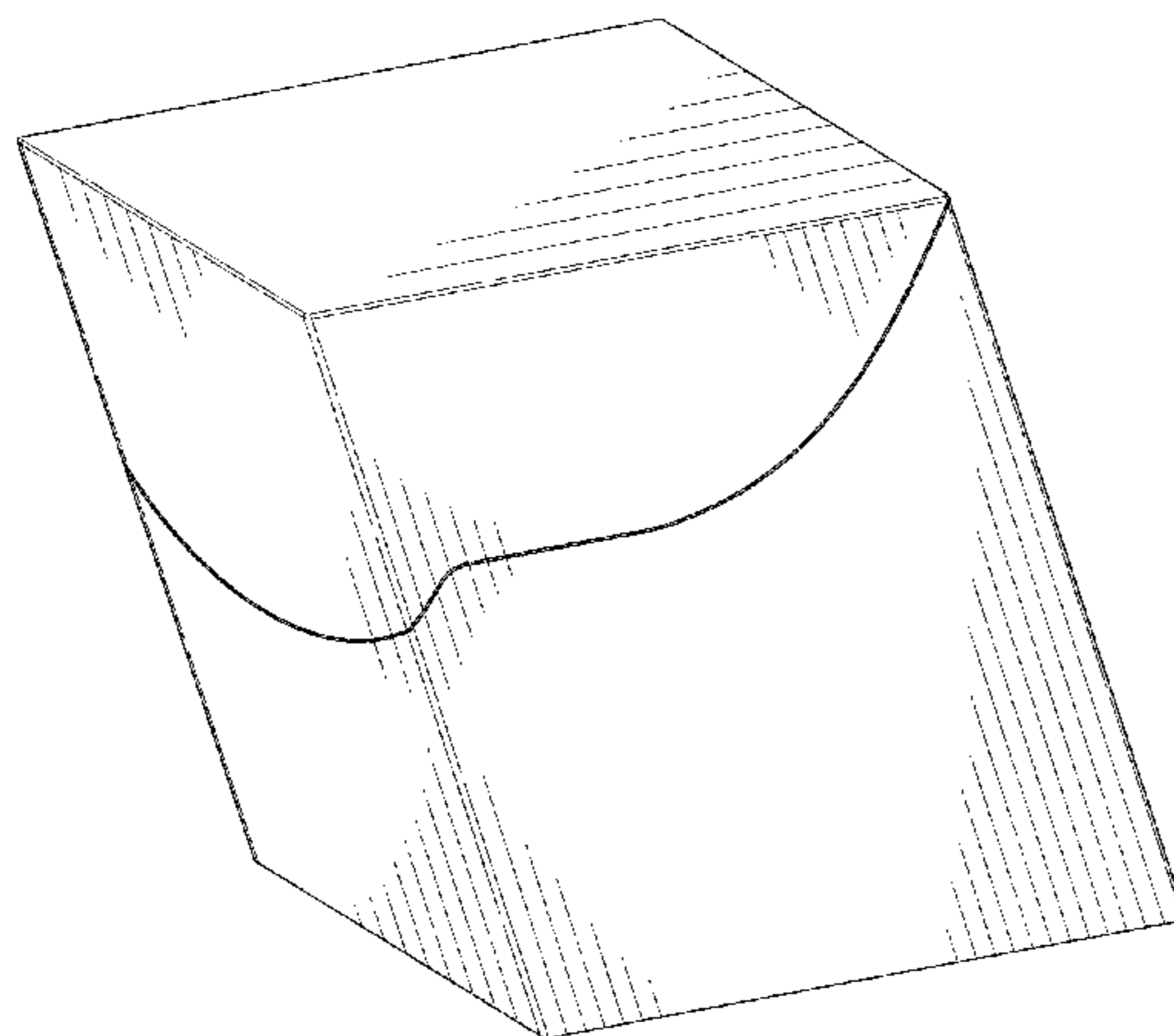
FIG. 13 is a right side view thereof.

FIG. 14 is a top down view thereof; and,

FIG. 15 is a bottom up view thereof.

The short dashed broken lines represent environmental subject matter and form no part of the claimed design. The long dashed broken lines represent perforations that form part of the claimed design.

**1 Claim, 10 Drawing Sheets**



(56)

**References Cited**

## U.S. PATENT DOCUMENTS

1,806,334 A \* 5/1931 Clark ..... B65D 5/5206  
206/45.21  
1,889,625 A \* 11/1932 Barter ..... A47F 5/112  
229/102.5  
1,909,472 A \* 5/1933 Keppler ..... B65D 5/5206  
229/152  
1,949,376 A \* 2/1934 Mansfield ..... B65D 5/526  
206/767  
2,249,430 A \* 7/1941 Lambert ..... A47F 5/112  
229/164  
4,828,164 A \* 5/1989 Passamoni ..... B65D 5/522  
206/459.5  
D347,169 S \* 5/1994 Bezzerides ..... D9/414  
D507,484 S \* 7/2005 Kumakura ..... D9/418  
D812,464 S \* 3/2018 Xu ..... D9/432  
D914,495 S \* 3/2021 Wikstrom ..... D9/432  
D916,587 S \* 4/2021 Georgiou ..... D9/430  
2005/0077207 A1 \* 4/2005 Hubbs ..... A47F 5/11  
206/736

## OTHER PUBLICATIONS

“5 Compelling Reasons to Choose Custom Cosmetic Display Boxes,”  
published in Emenac Packaging USA Blog. Published date: Jun. 13,  
2022. Site visited: Aug. 7, 2022. Available online: <https://www.emenacpackaging.com/5-compelling-reasons-to-choose-custom-cosmetic-display-boxes/> (Year: 2022).\*

\* cited by examiner

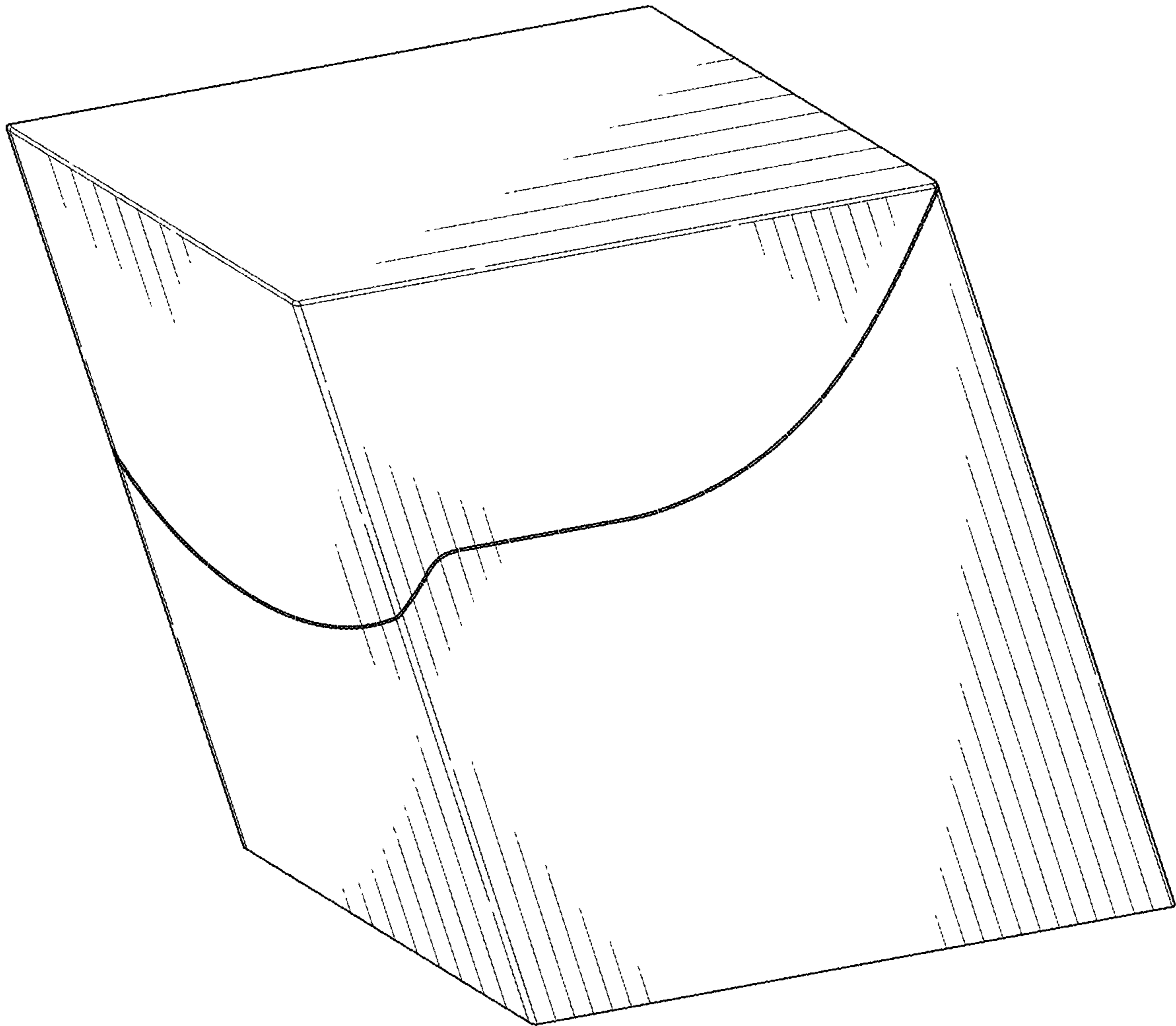


FIG. 1

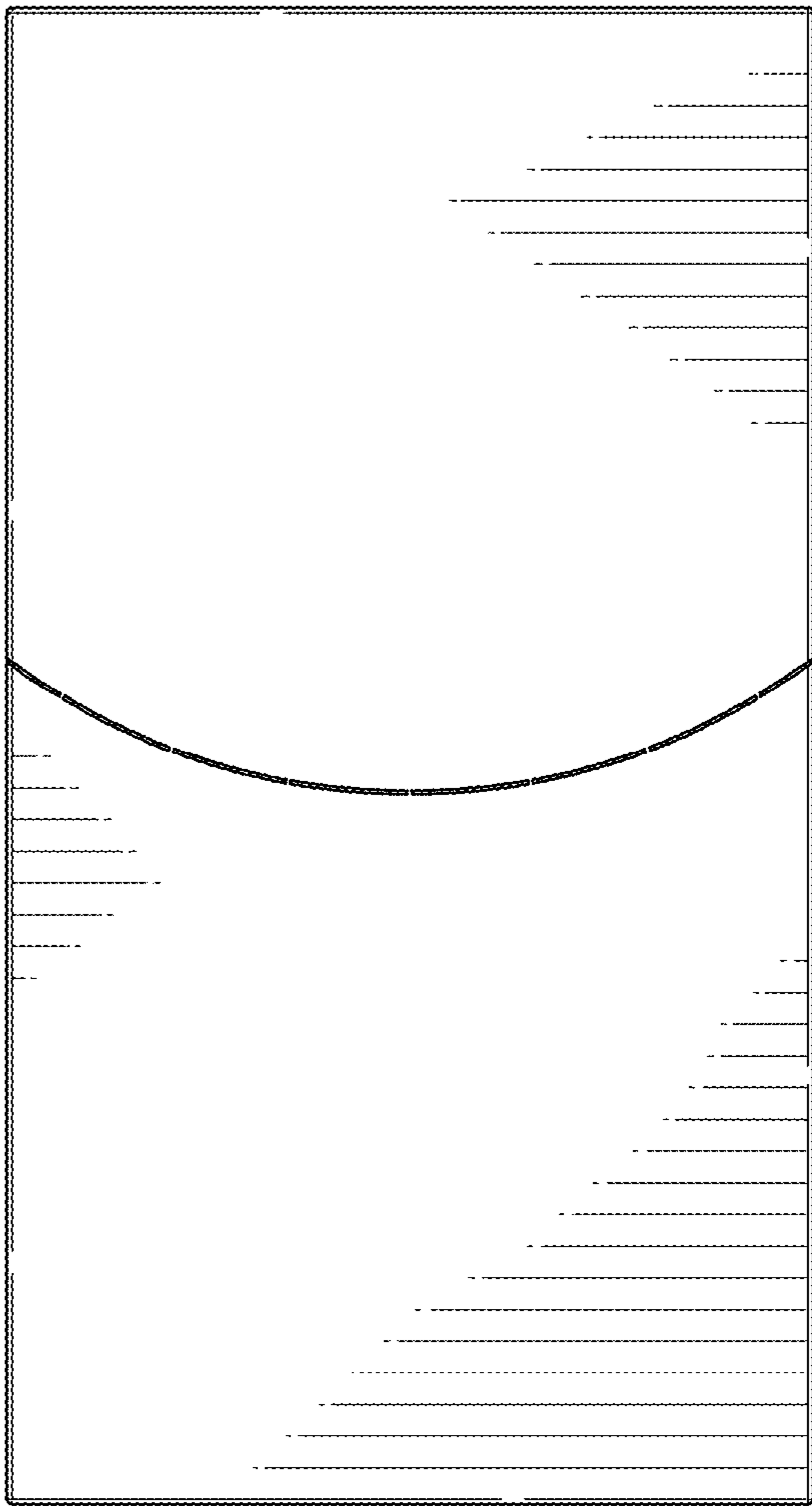


FIG. 2

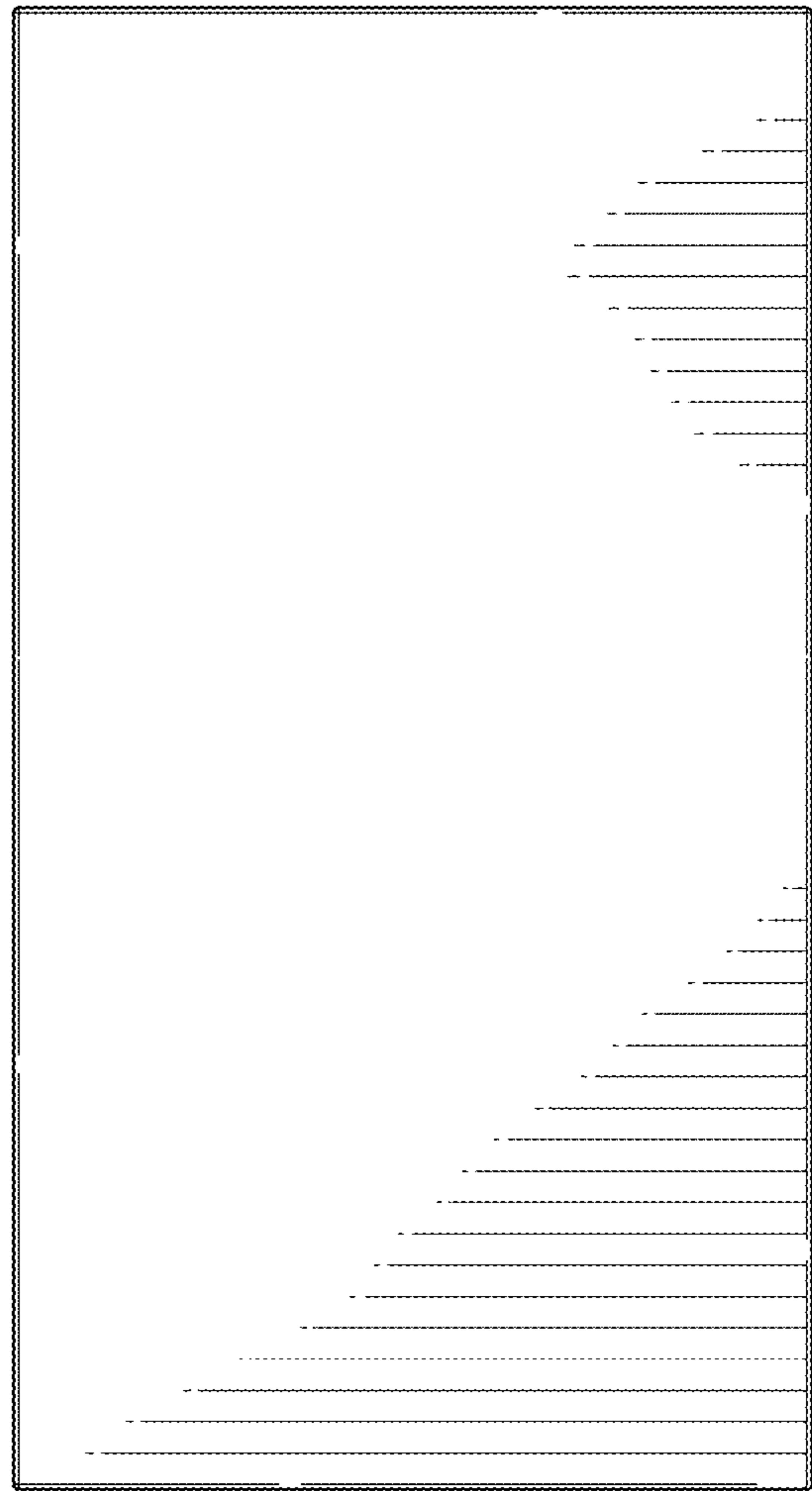


FIG. 3

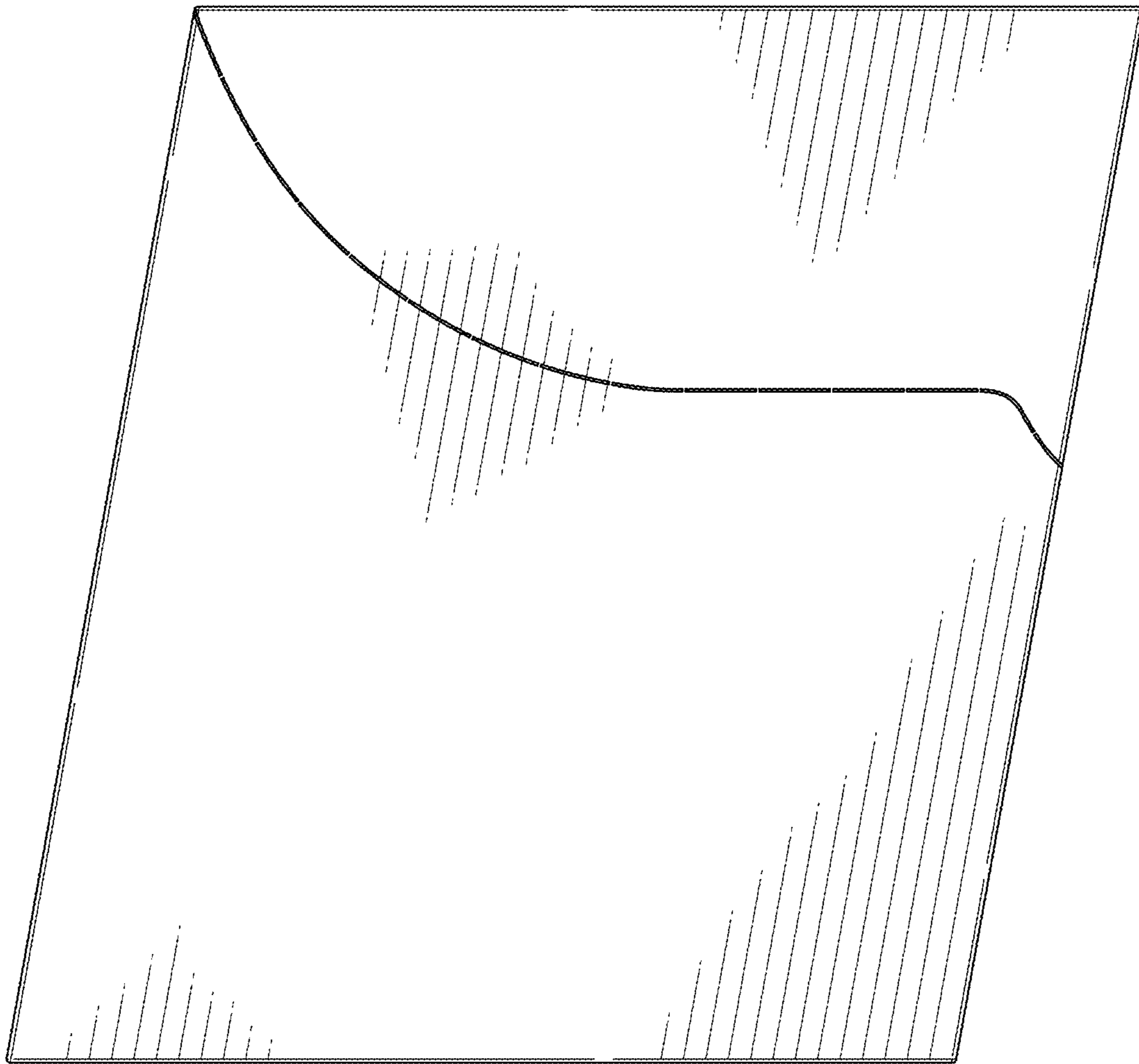


FIG. 4

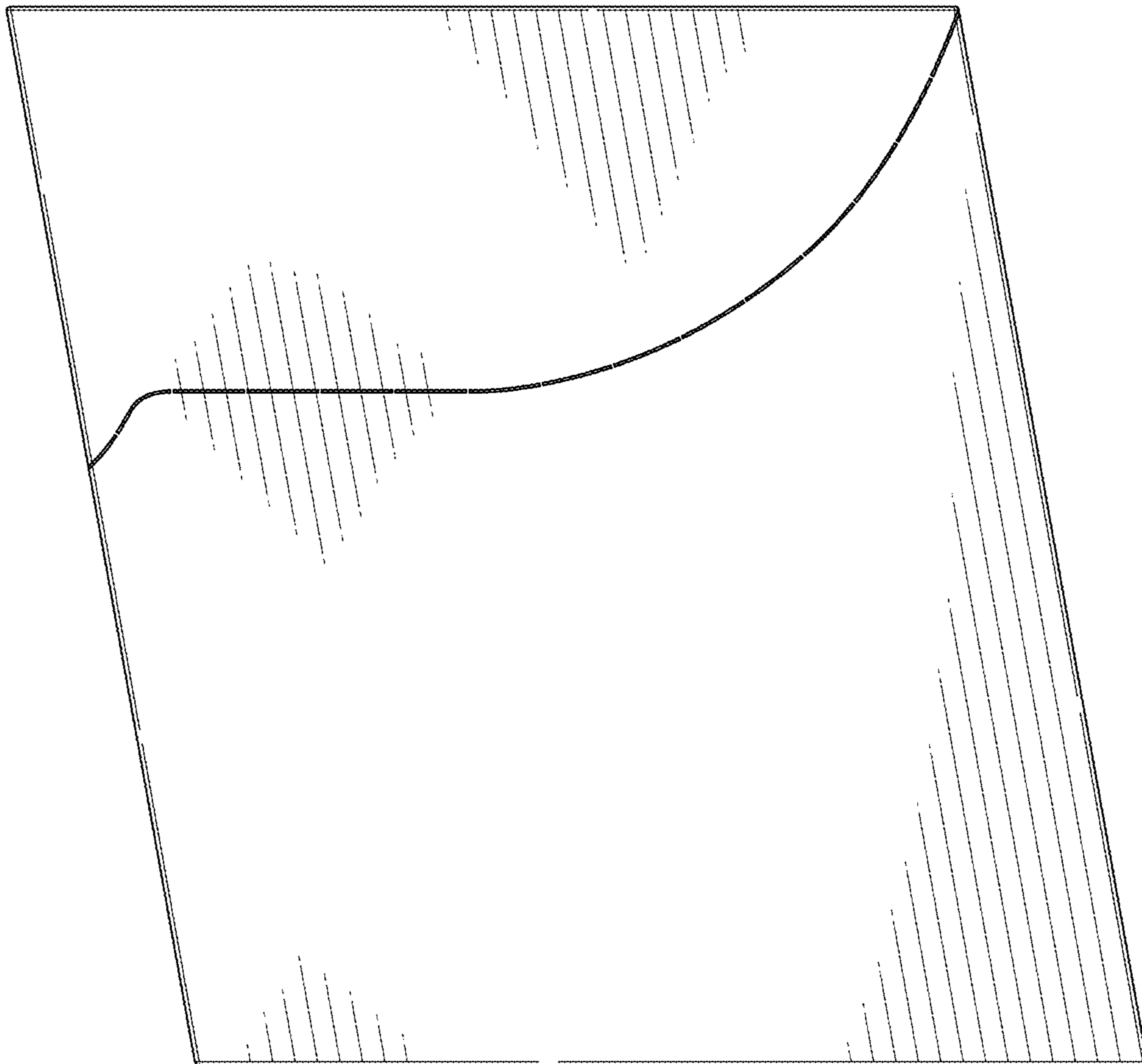


FIG. 5

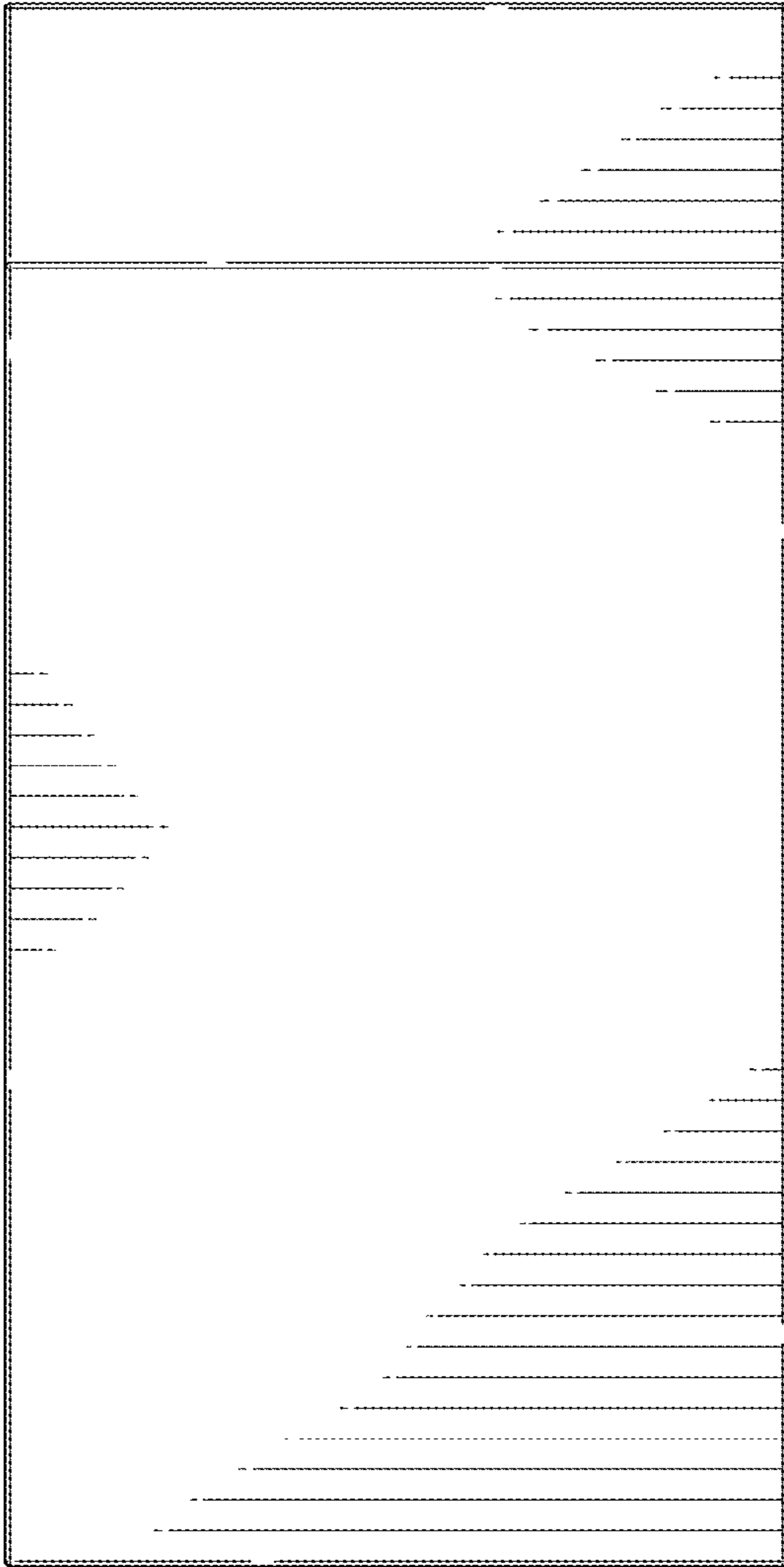


FIG. 6

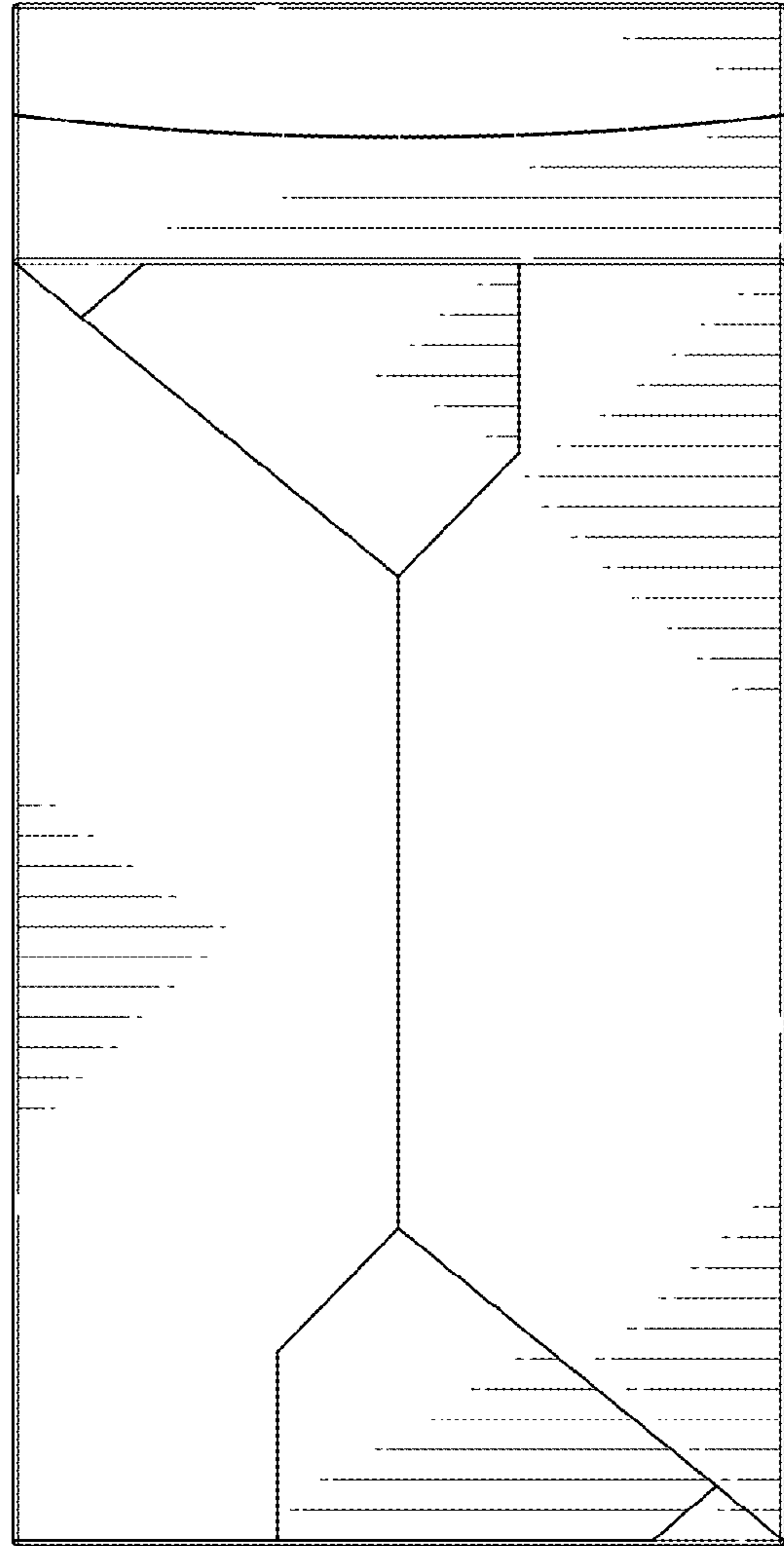


FIG. 7

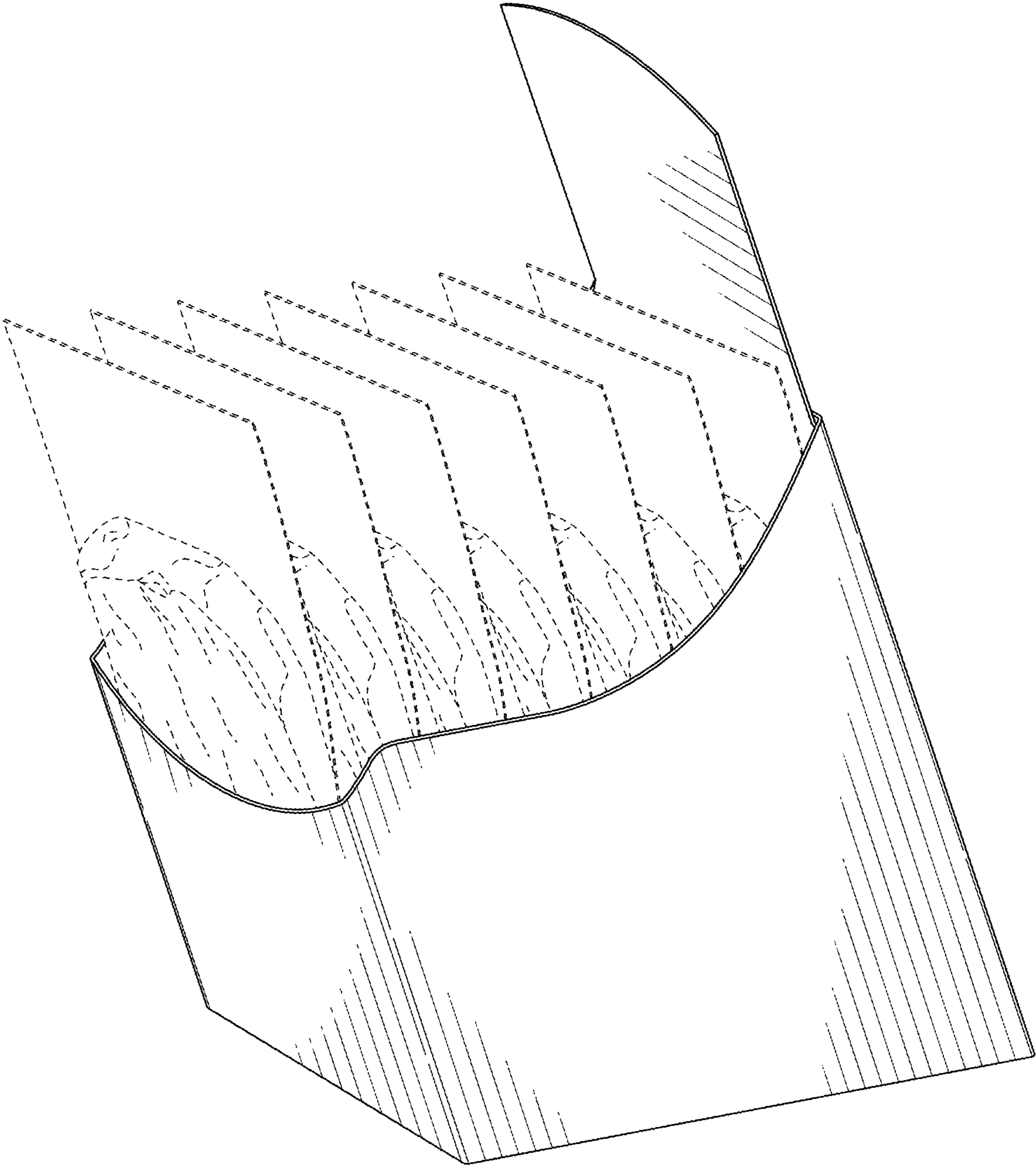


FIG. 8



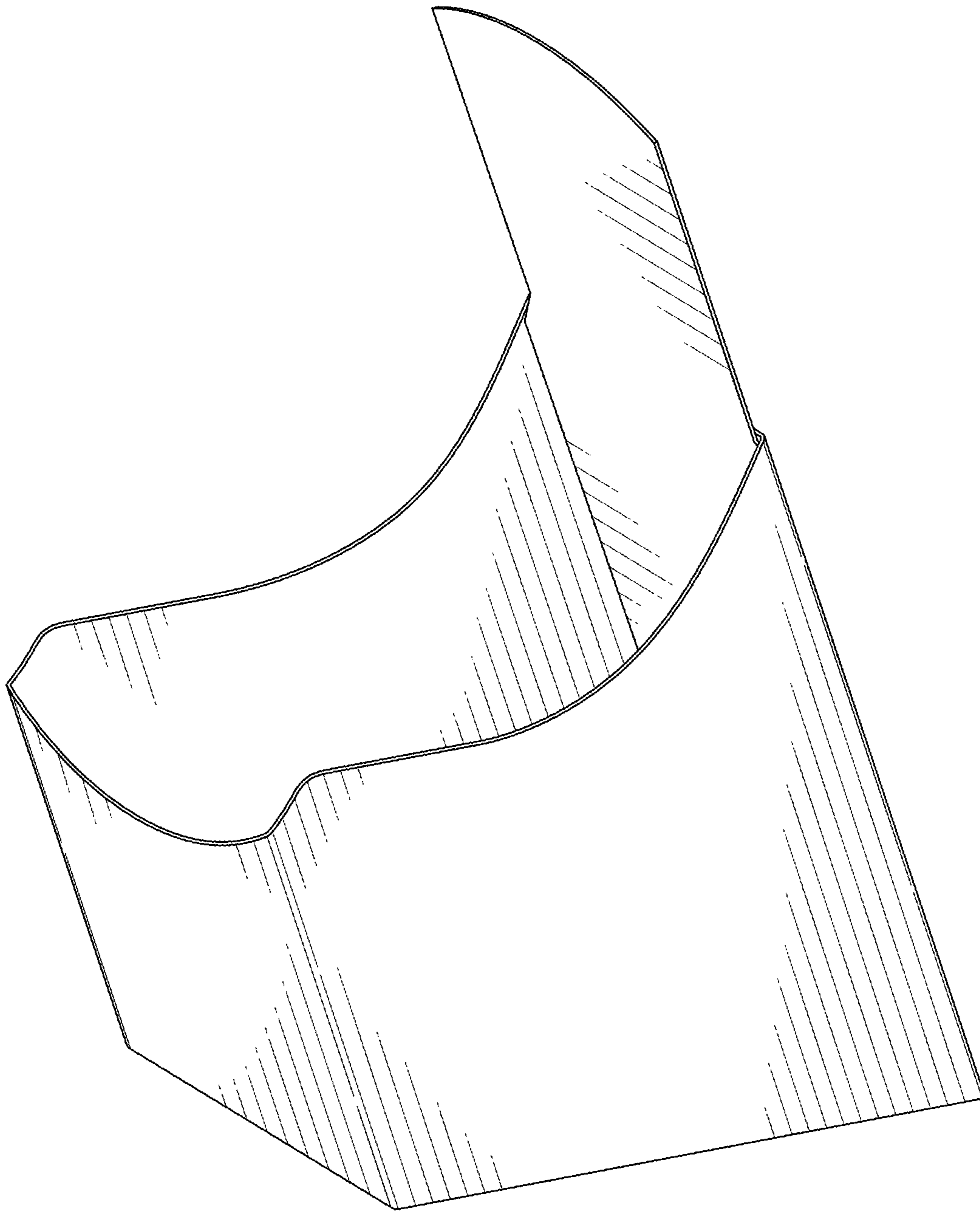


FIG. 9

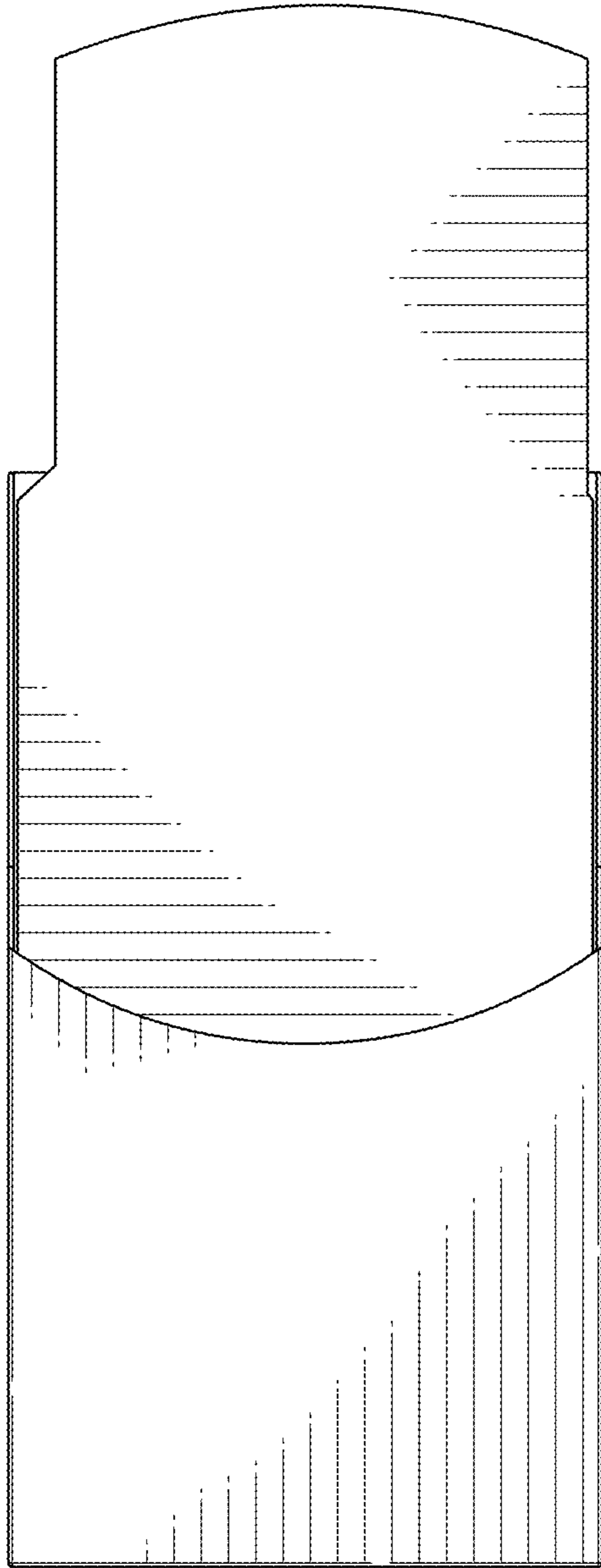


FIG. 10



FIG. 11

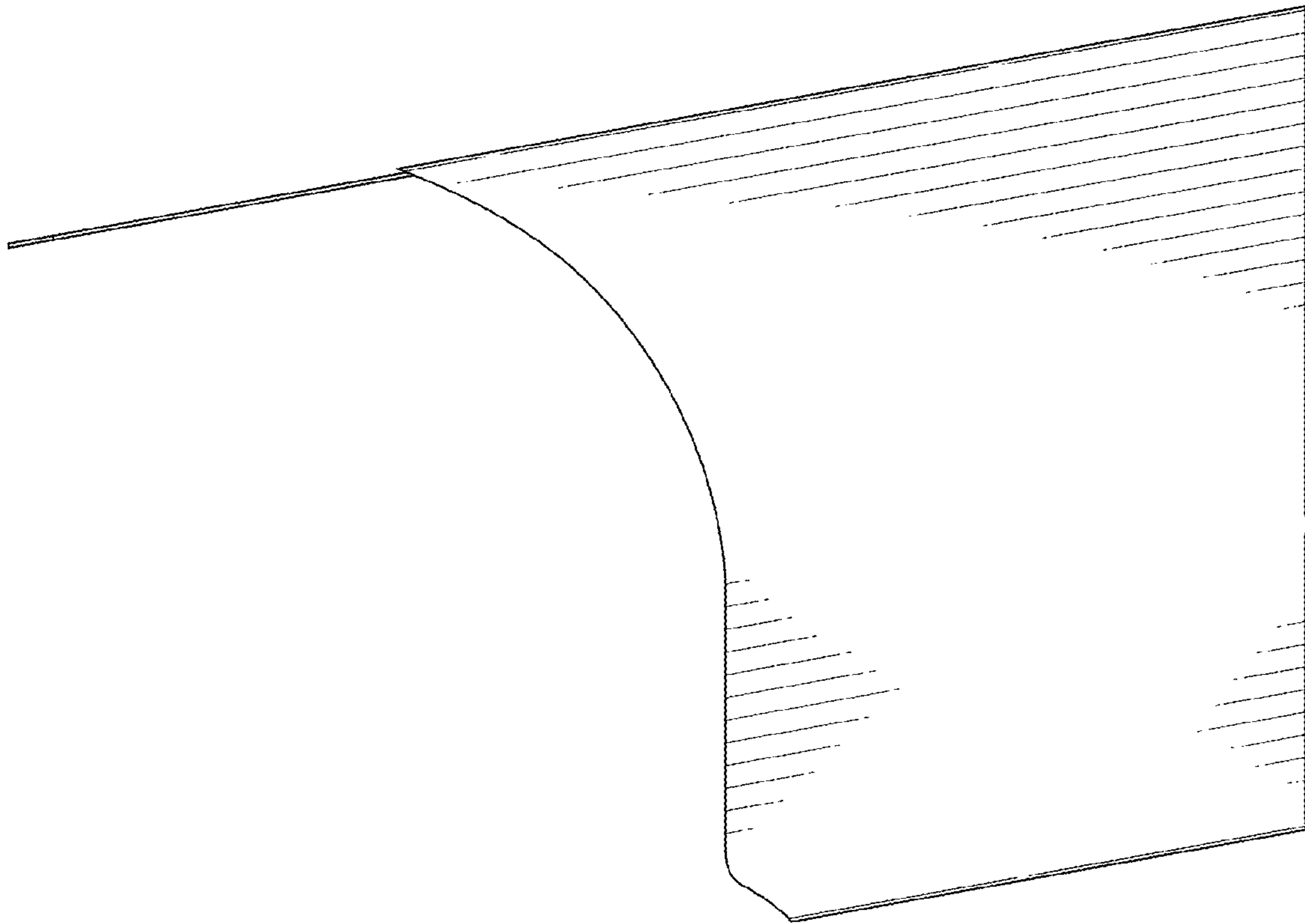


FIG. 13

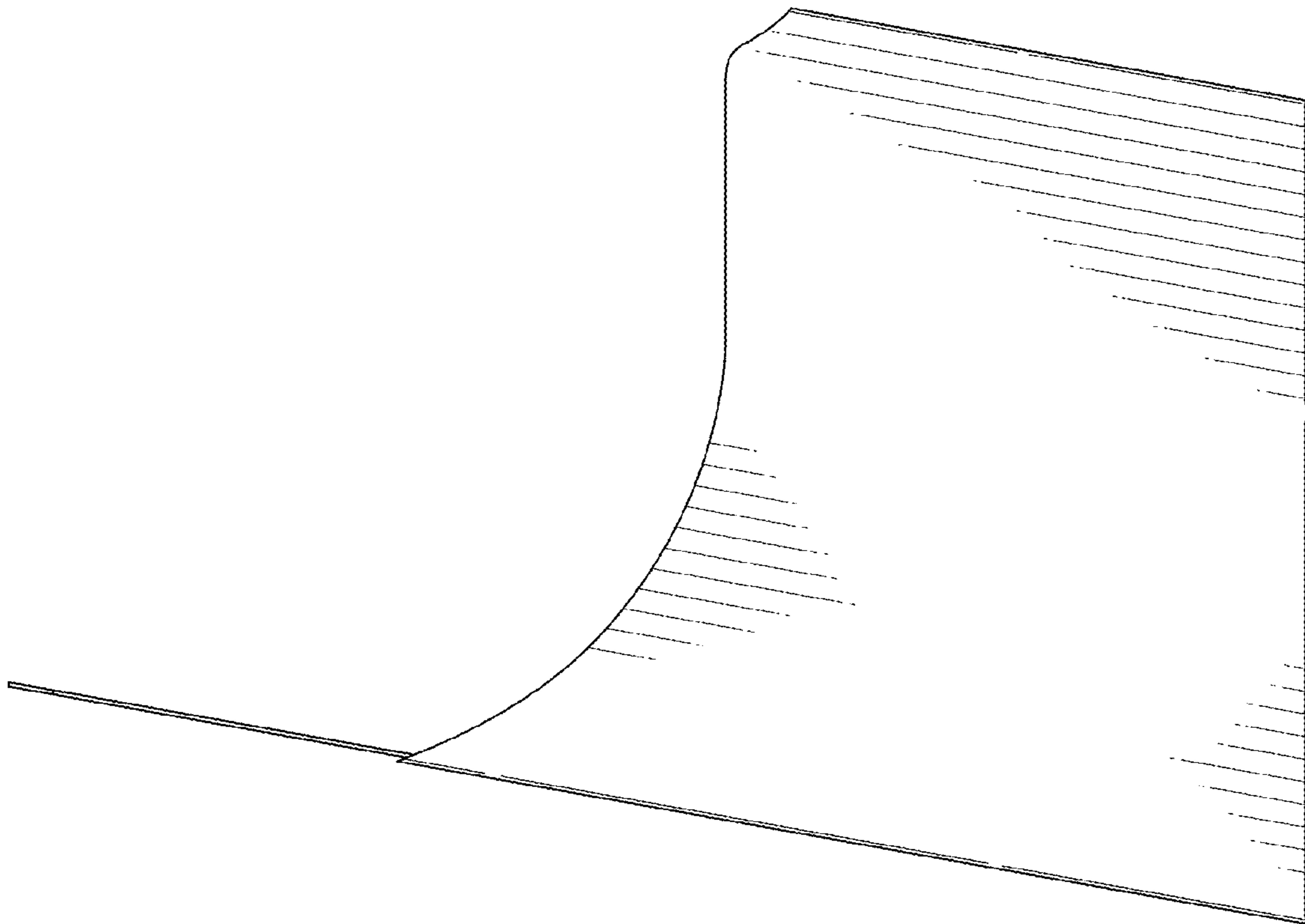


FIG. 12

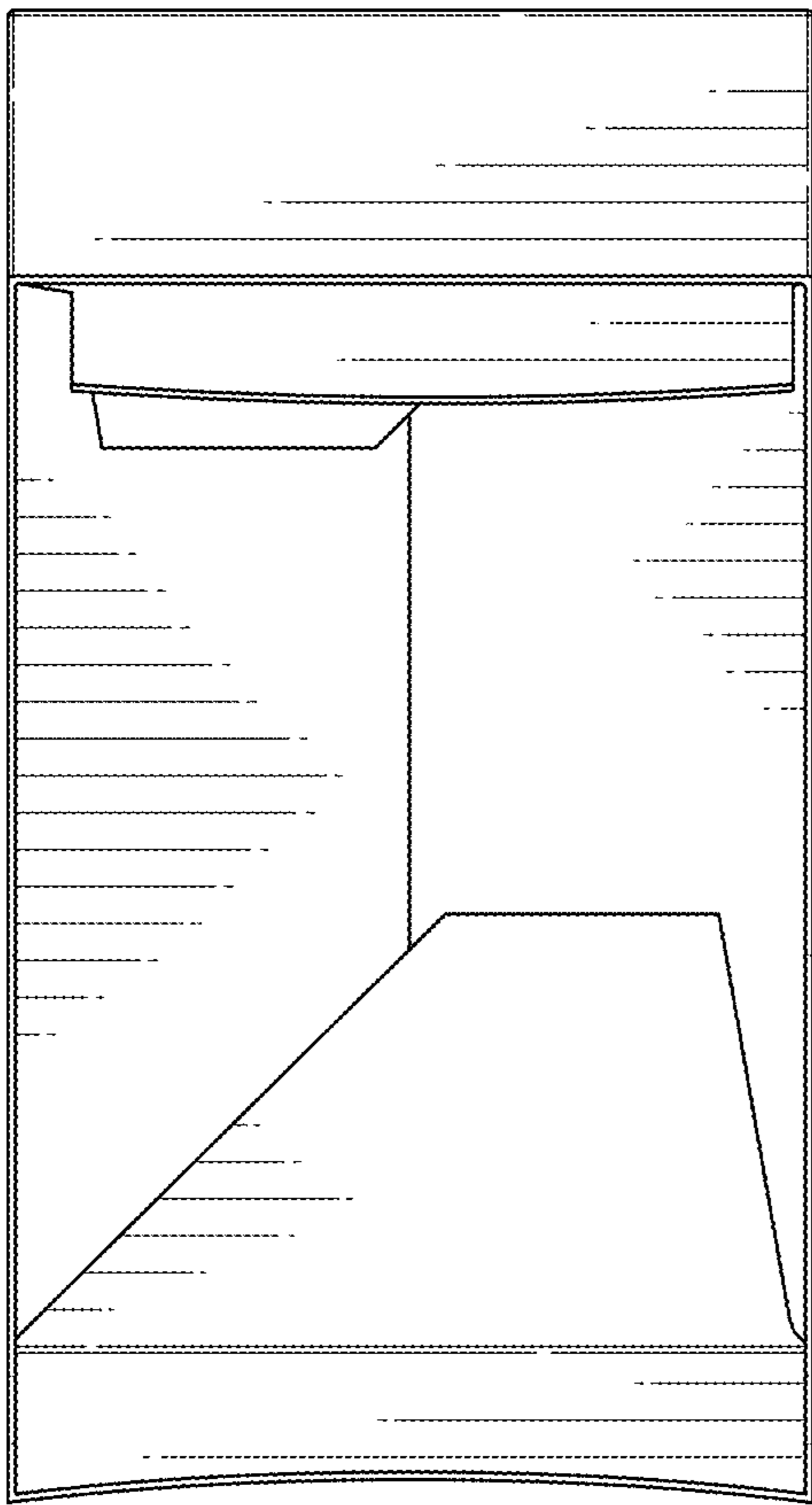


FIG. 14

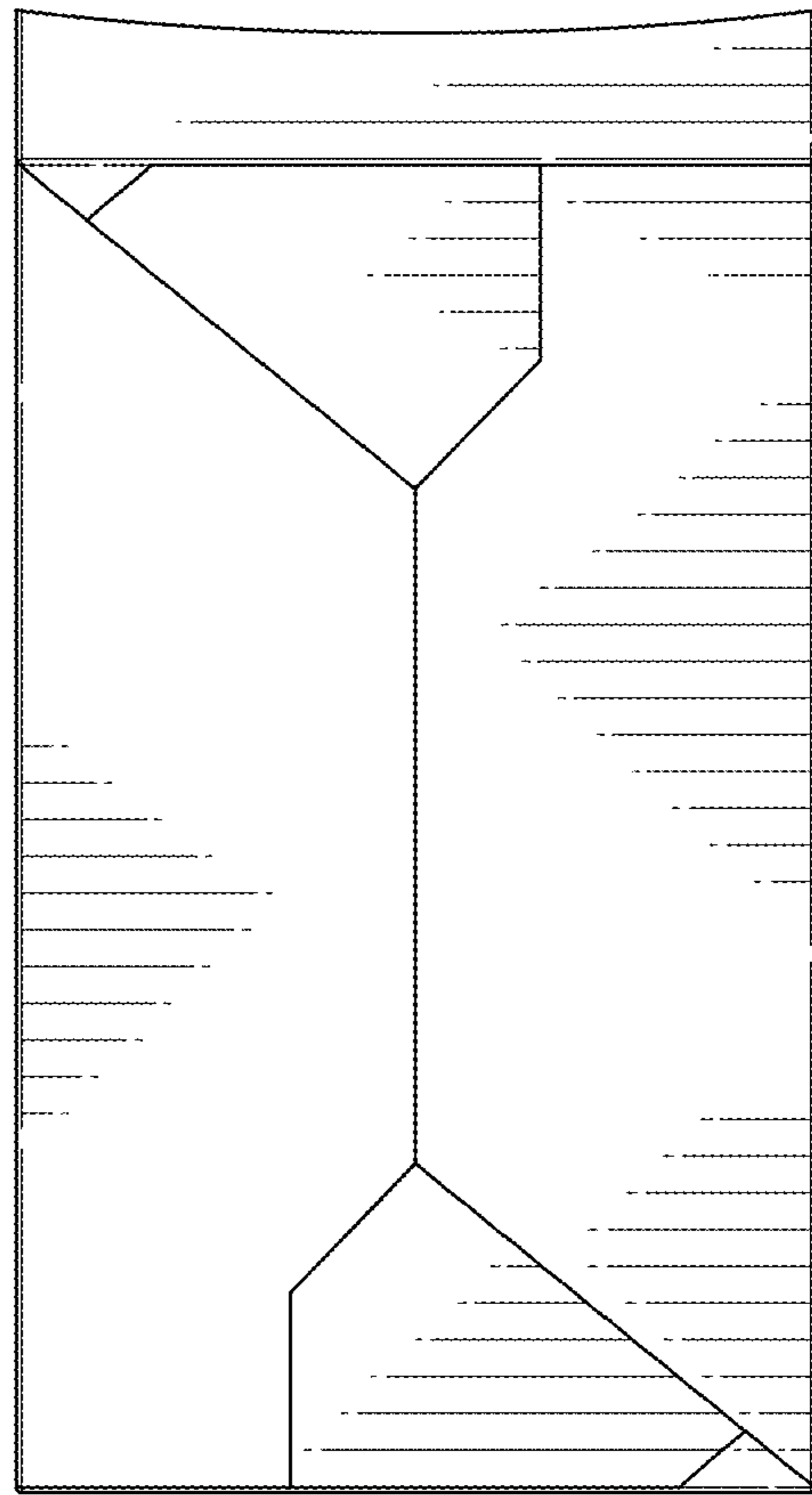


FIG. 15