



US00D982435S

(12) **United States Design Patent**
Creager et al.

(10) **Patent No.:** **US D982,435 S**
(45) **Date of Patent:** **** Apr. 4, 2023**

(54) **COMBINED FRAGILE ITEM
DISTRIBUTION, STORAGE AND DISPLAY
CONTAINER**

(71) Applicant: **LiT Brands LLC**, Denver, CO (US)
(72) Inventors: **Andrew Creager**, Denver, CO (US);
Max Creager, Denver, CO (US);
Donald Creager, III, Denver, CO (US);
Zachary Taylor, Arvada, CO (US);
William Cowan, Westminster, CO (US)

(73) Assignee: **LIT BRANDS LLC**, Denver, CO (US)

(**) Term: **15 Years**

(21) Appl. No.: **29/759,002**

(22) Filed: **Nov. 19, 2020**

(51) **LOC (14) Cl.** **09-03**

(52) **U.S. Cl.**
USPC **D9/430**

(58) **Field of Classification Search**
USPC D9/415, 414, 416, 418, 423, 430-433,
D9/721, 759, 652, 668; D7/601-602,
(Continued)

(56) **References Cited**

U.S. PATENT DOCUMENTS

D4,384 S * 10/1870 Fleisher D9/759
D30,427 S * 3/1899 Becton D9/759
(Continued)

FOREIGN PATENT DOCUMENTS

JP H078413 Y2 * 3/1995
JP 2001087099 A * 4/2001
JP 2004500290 A * 1/2004

OTHER PUBLICATIONS

“Why Popup Display Boxes Are Essential for Product Showcas-
ing?” blog post in MyBoxPrinter.com. Date posted: Nov. 7, 2016.

Site visited: 10/26/202 . . . Available online: <https://www.myboxprinter.com/blog/2016/11/07/why-popup-display-boxes-are-essential-for-product-showcasing/> (Year: 2016).*

(Continued)

Primary Examiner — Catherine S Posthauer

Assistant Examiner — Joan E. Diehl

(74) *Attorney, Agent, or Firm* — Martensen IP; Michael C. Martensen

(57) **CLAIM**

The ornamental design for a combined fragile item distribution, storage and display container, as shown and described.

DESCRIPTION

FIG. 1 is a front, top perspective view of a combined fragile item distribution, storage and display container showing our new design;

FIG. 2 is a front view thereof;

FIG. 3 is back view thereof;

FIG. 4 is a right side view thereof;

FIG. 5 is a left side view thereof;

FIG. 6 is a top view thereof;

FIG. 7 is a bottom view thereof;

FIG. 8 is an unfolded view thereof;

FIG. 9 is a front, top perspective open view thereof, shown in a position of use with exemplary boxes;

FIG. 10 is a front open view thereof;

FIG. 11 is a back open view thereof;

FIG. 12 is a right side open view thereof;

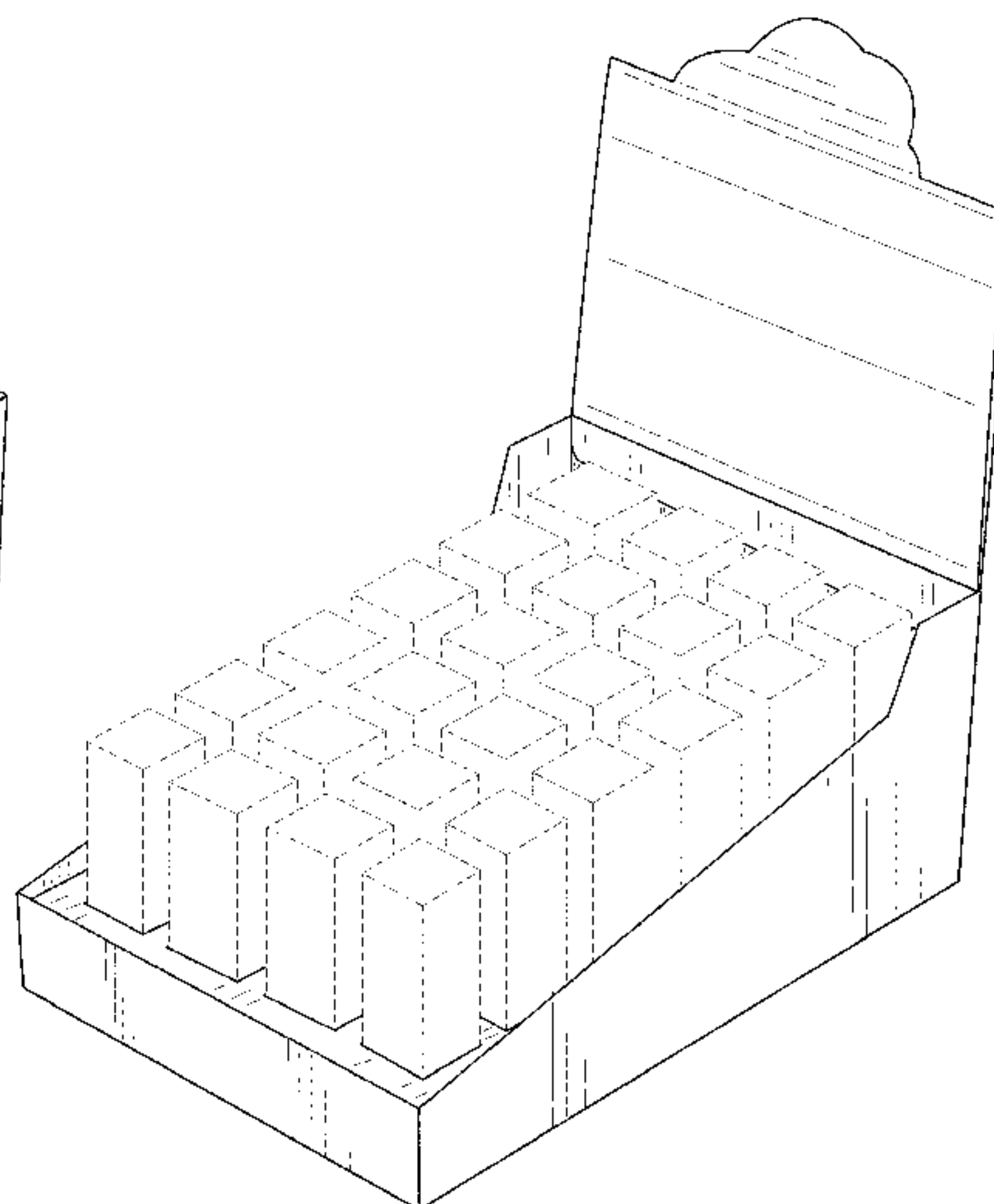
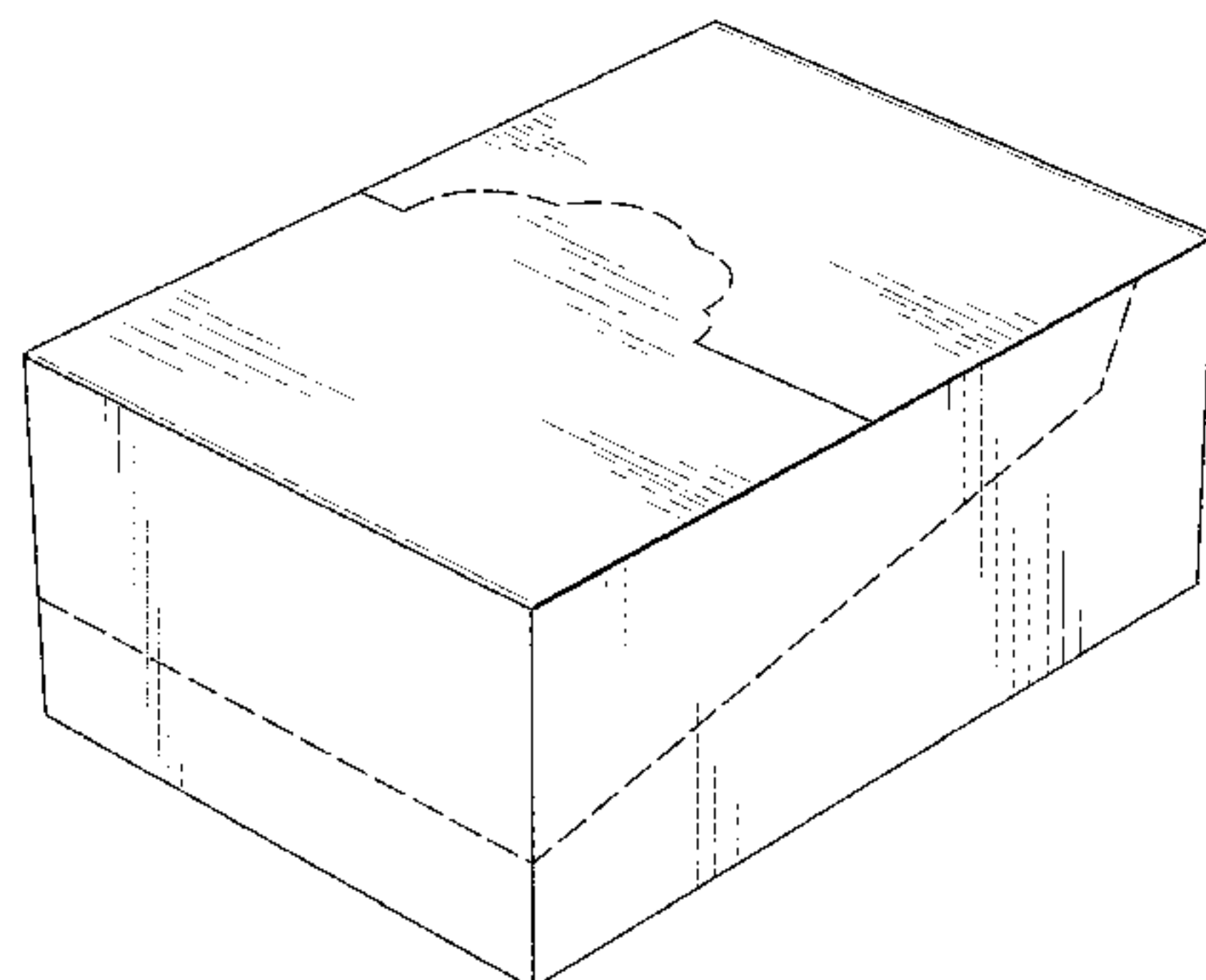
FIG. 13 is a left side open view thereof;

FIG. 14 is a top open view thereof; and,

FIG. 15 is a bottom open view thereof.

The cloud shape forming part of the claimed design is a registered trademark of Lit Brands, LLC. Broken lines shown for the purpose of illustrating environment subject matter form no part of the claimed design. Heavy dashed lines shown for the purpose of illustrating perforations form part of the claimed design.

1 Claim, 15 Drawing Sheets



(58) **Field of Classification Search**

USPC D7/392, 397, 504; D20/40–42, 16, 27;
 229/138, 116.1; 206/45.3, 478, 326, 349,
 206/525
 CPC B65D 5/00; B65D 5/02; B65D 5/0209;
 B65D 5/0272; B65D 5/40; B65D 5/72;
 B65D 5/5246; B65D 1/00; B65D 1/02;
 B65D 1/0233; B65D 1/22; B65D 1/36;
 B65D 1/40; B65D 1/225; B65D 85/00;
 B65D 85/36; B65D 71/00; G09F 1/06
 See application file for complete search history.

D432,912 S * 10/2000 Lubineau-Bigot D9/416
 D503,614 S * 4/2005 Sax B65D 5/541
 D592,075 S * 5/2009 Holcomb D9/418
 D829,569 S * 10/2018 O'Neill D9/721
 D890,605 S * 7/2020 Nelson D9/423
 D952,457 S * 5/2022 Creager D9/418

OTHER PUBLICATIONS

Pop Up Display Boxes—YouTube. Date posted: Nov. 21, 2021. Site visited: Oct. 26, 2022. Available online: Pop Up Display Boxes—YouTube (Year: 2021).*

LiT Assorted Glass Chillum Display (Pack of 24). Date first available: 2022. Site visited: Oct. 26, 2022. Available online: <https://www.eightcig.com/lit-assorted-glass-chillum-display-pack-of-24/> (Year: 2022).*

Glass pipe display box. Date first available: Site visited: Oct. 26, 2022. Available online: 2022. <https://www.glasspipesla.com/5-clear-mixed-stickers-styles-colored-metal-stem-bowl-mini-glass-water-pipe-buy-12ct-display-box-325-each.html> (Year: 2022).*

* cited by examiner

(56) **References Cited**

U.S. PATENT DOCUMENTS

2,115,269 A * 4/1938 Lane B65D 5/5246
 206/45.3
 2,748,927 A * 6/1956 Crane, Jr. G09F 1/06
 206/478
 D294,805 S * 3/1988 Boyer D9/415
 D387,979 S * 12/1997 Dolan D9/415
 D412,114 S * 7/1999 Hansen D9/416

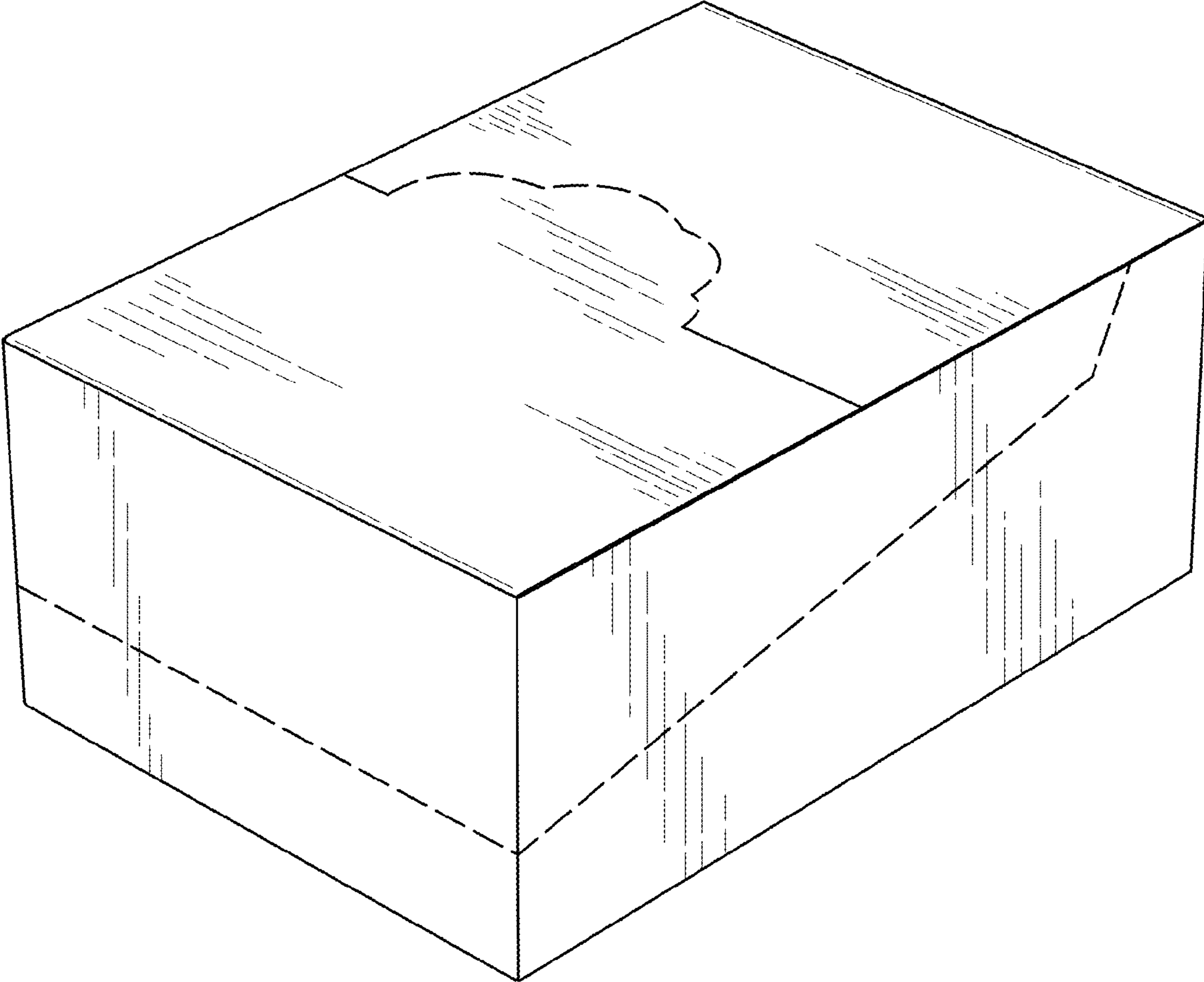


FIG.1

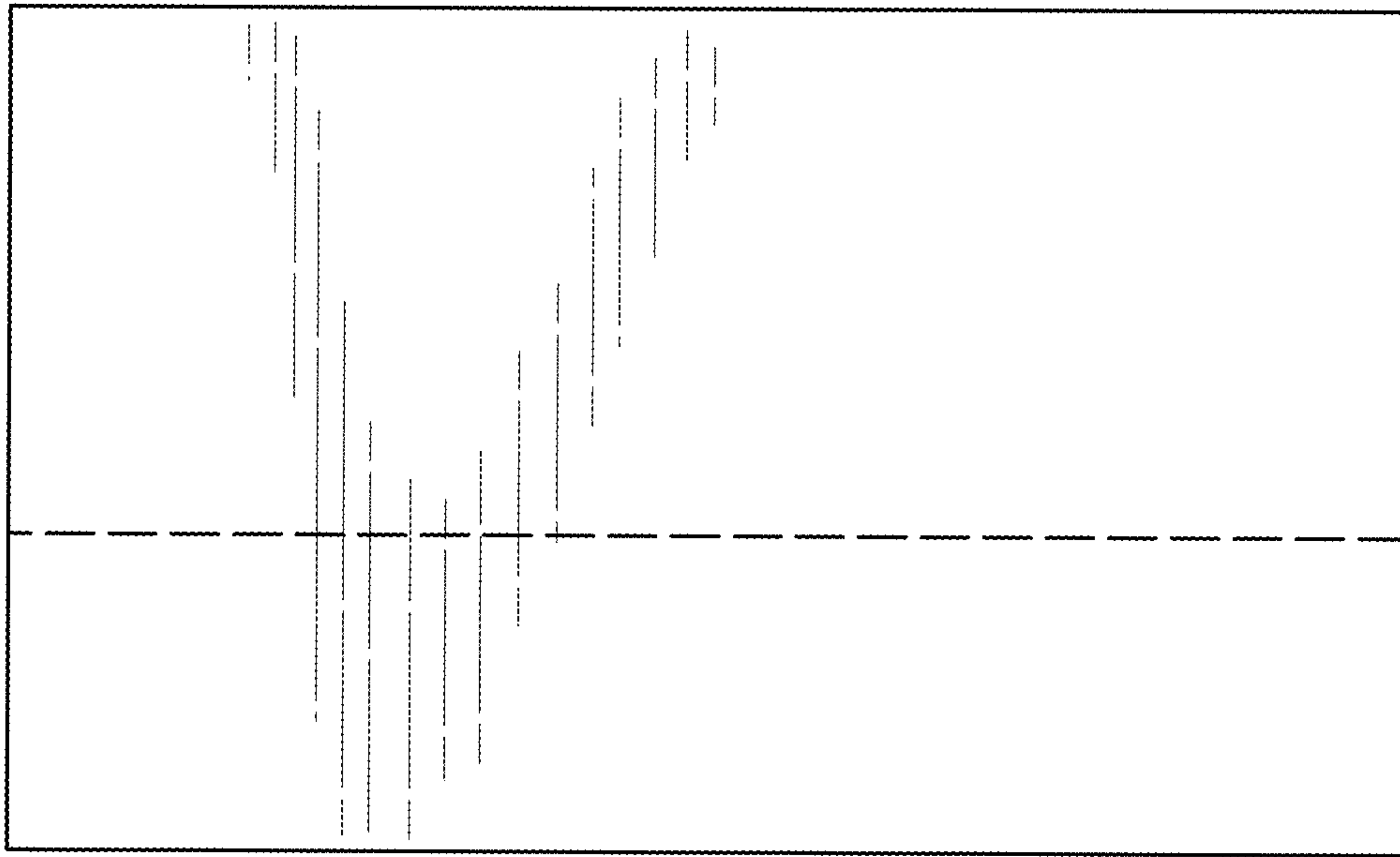


FIG.2

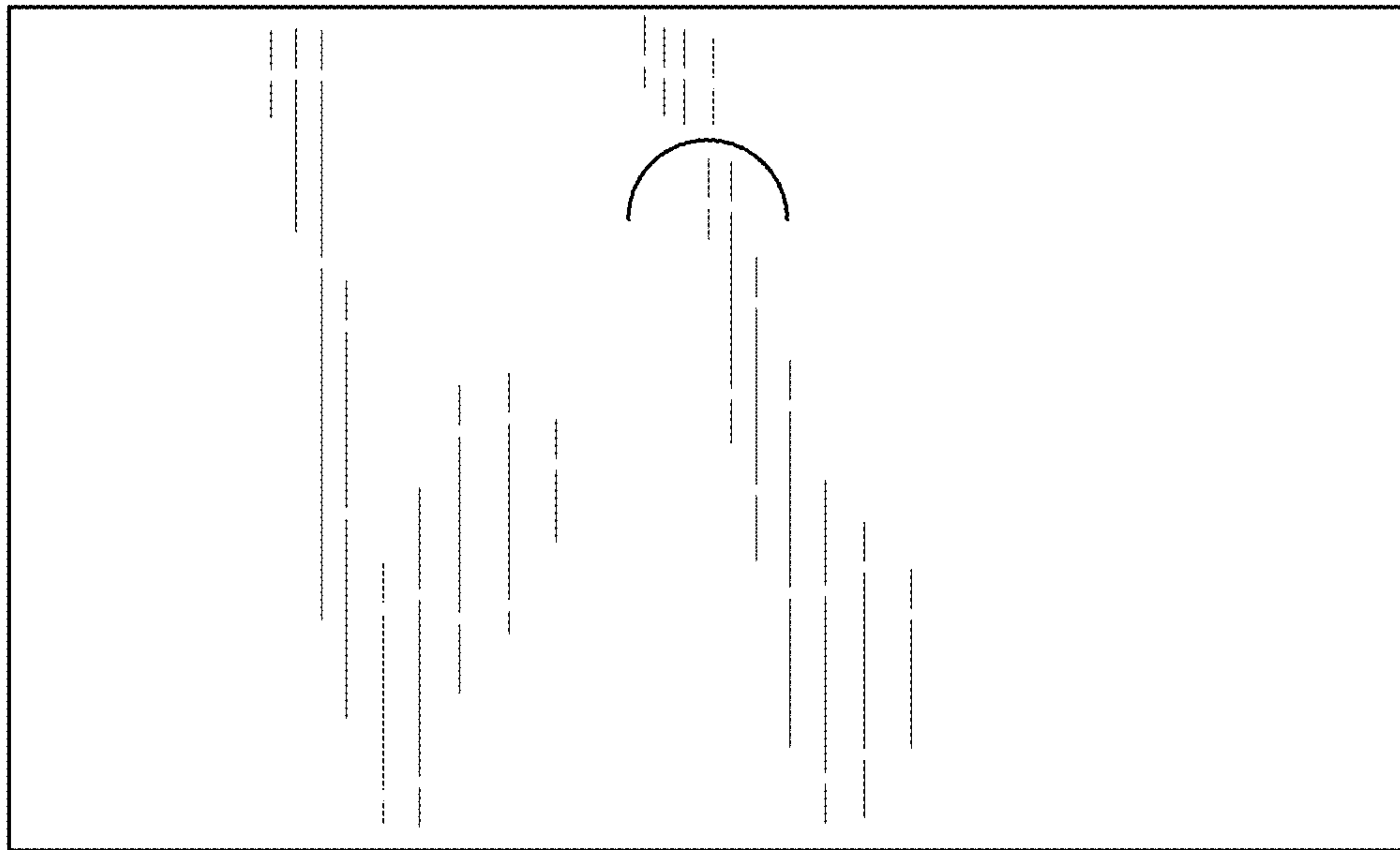


FIG.3

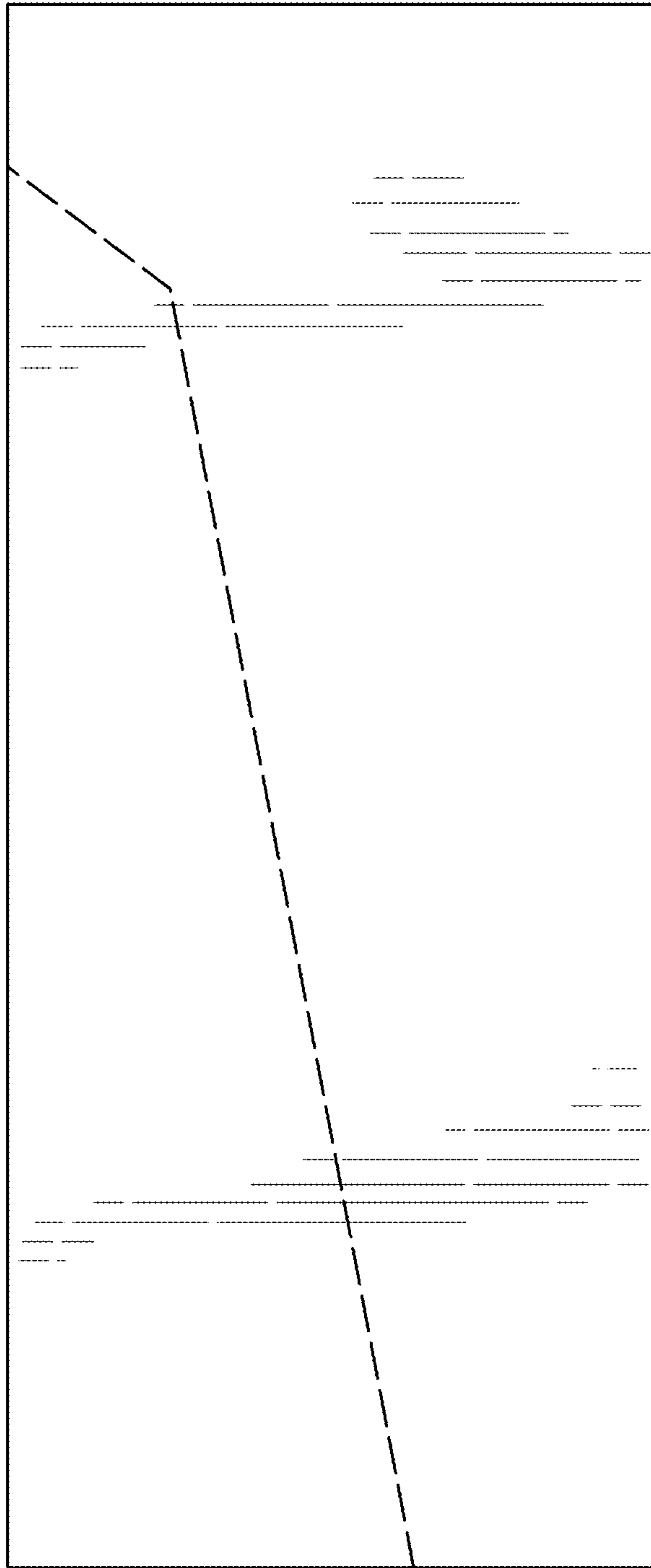


FIG.4

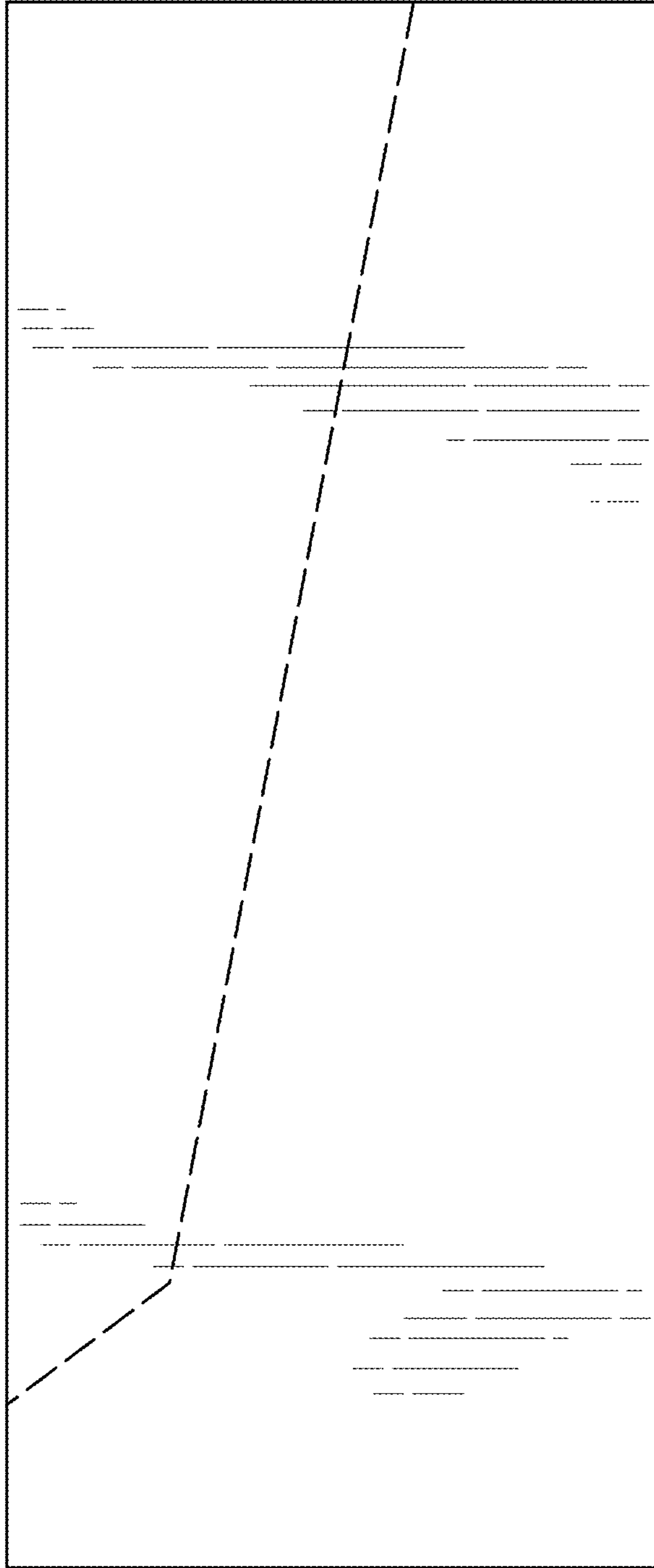


FIG.5

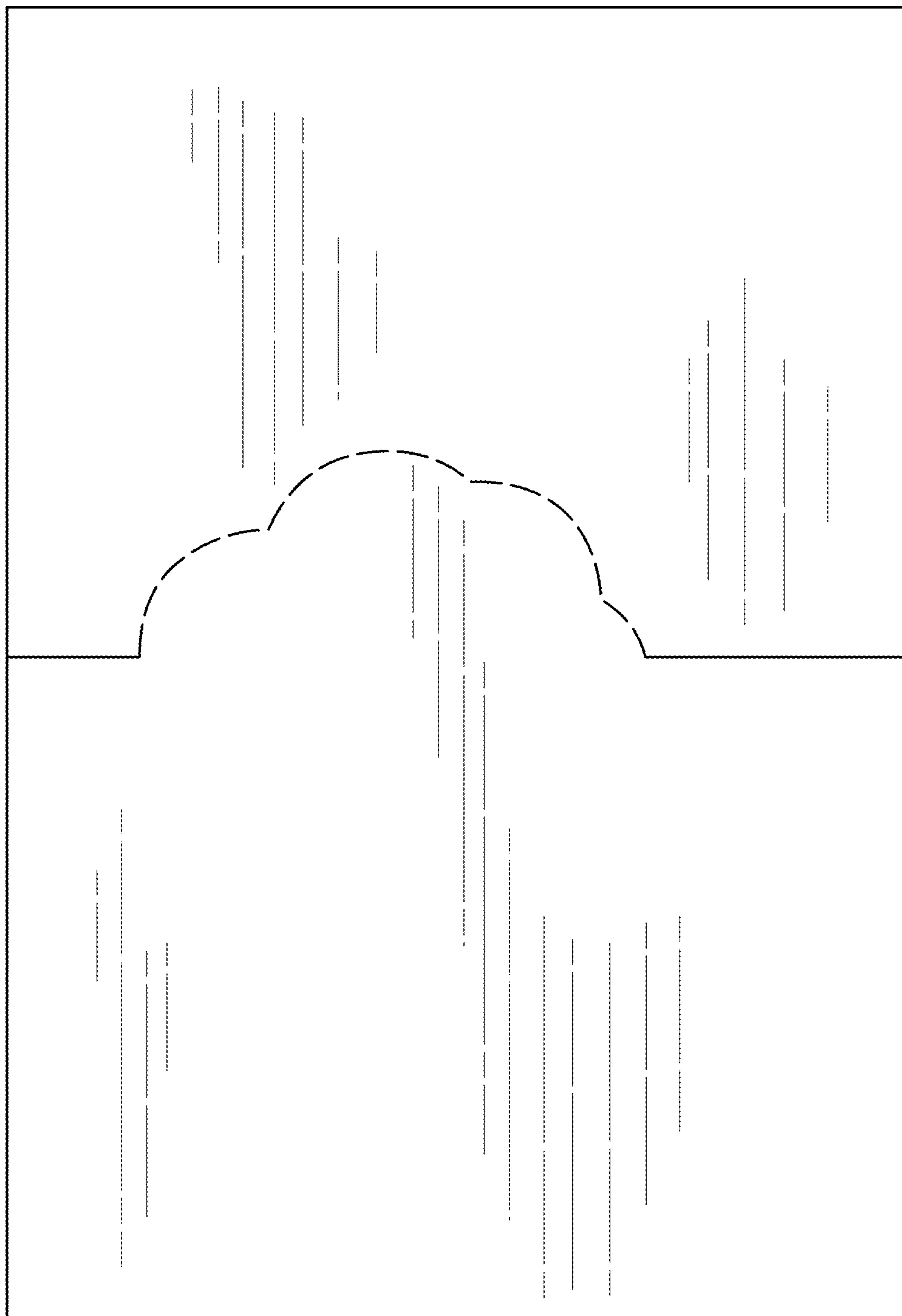


FIG.6

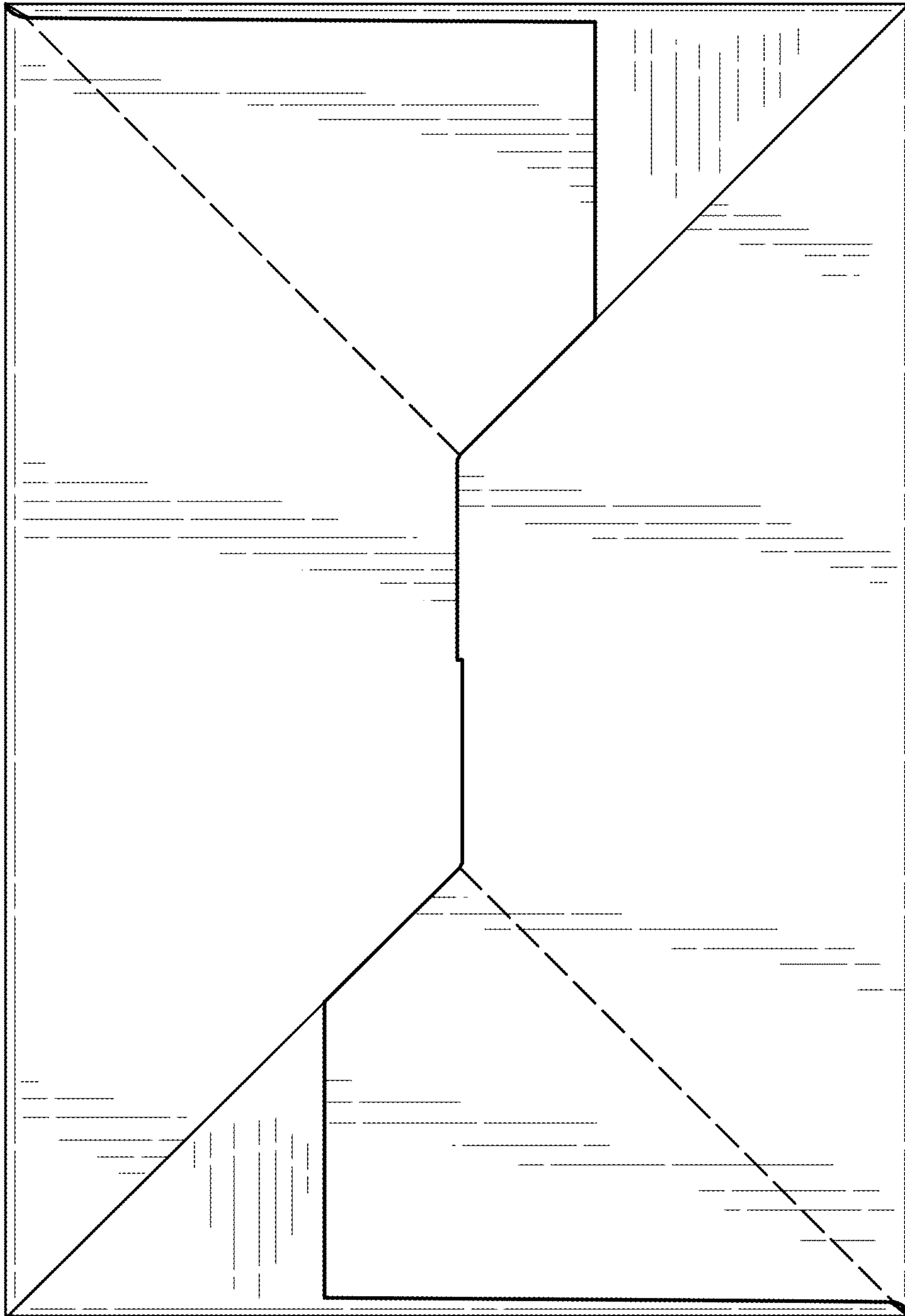


FIG. 7

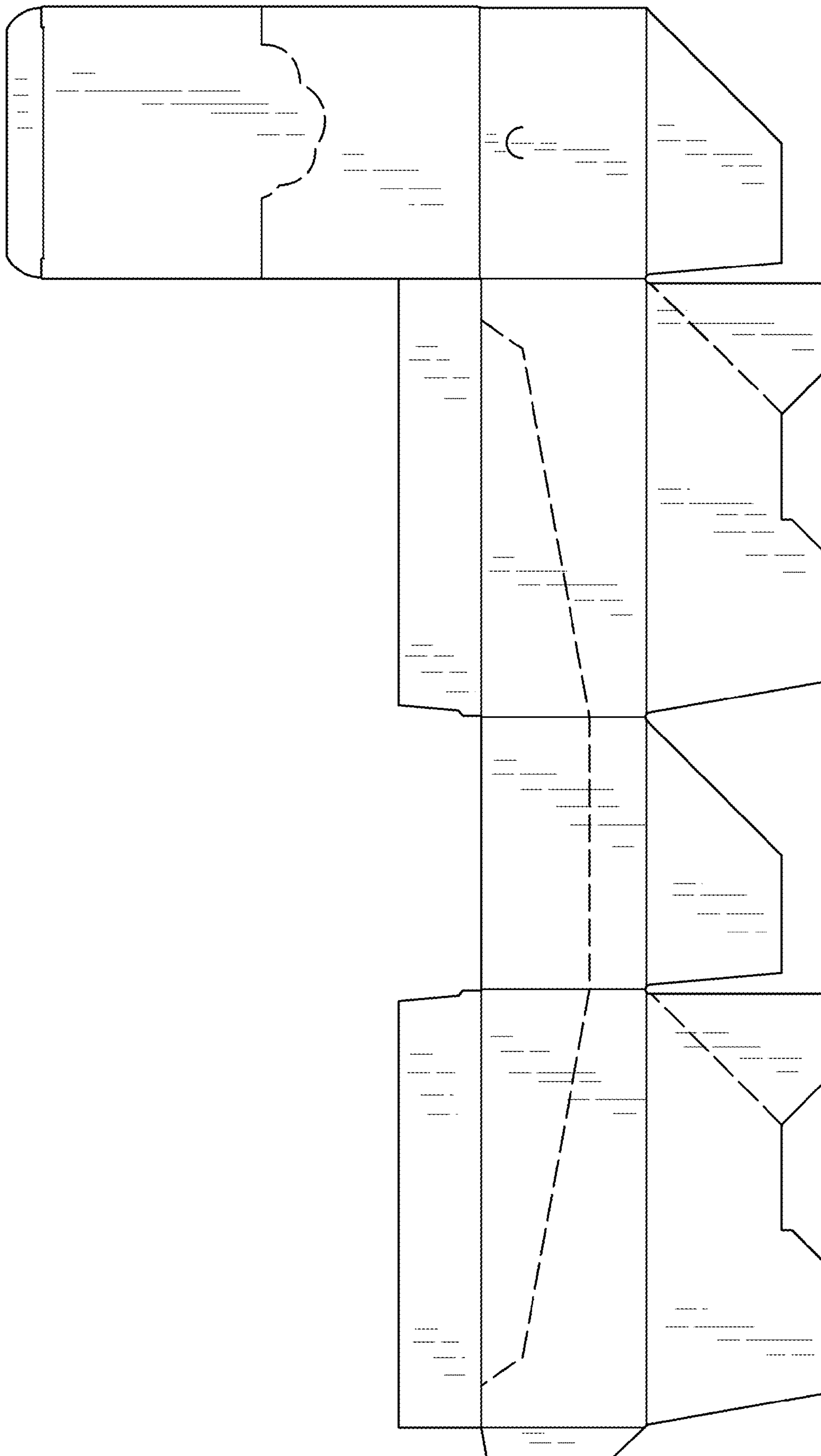


FIG. 8

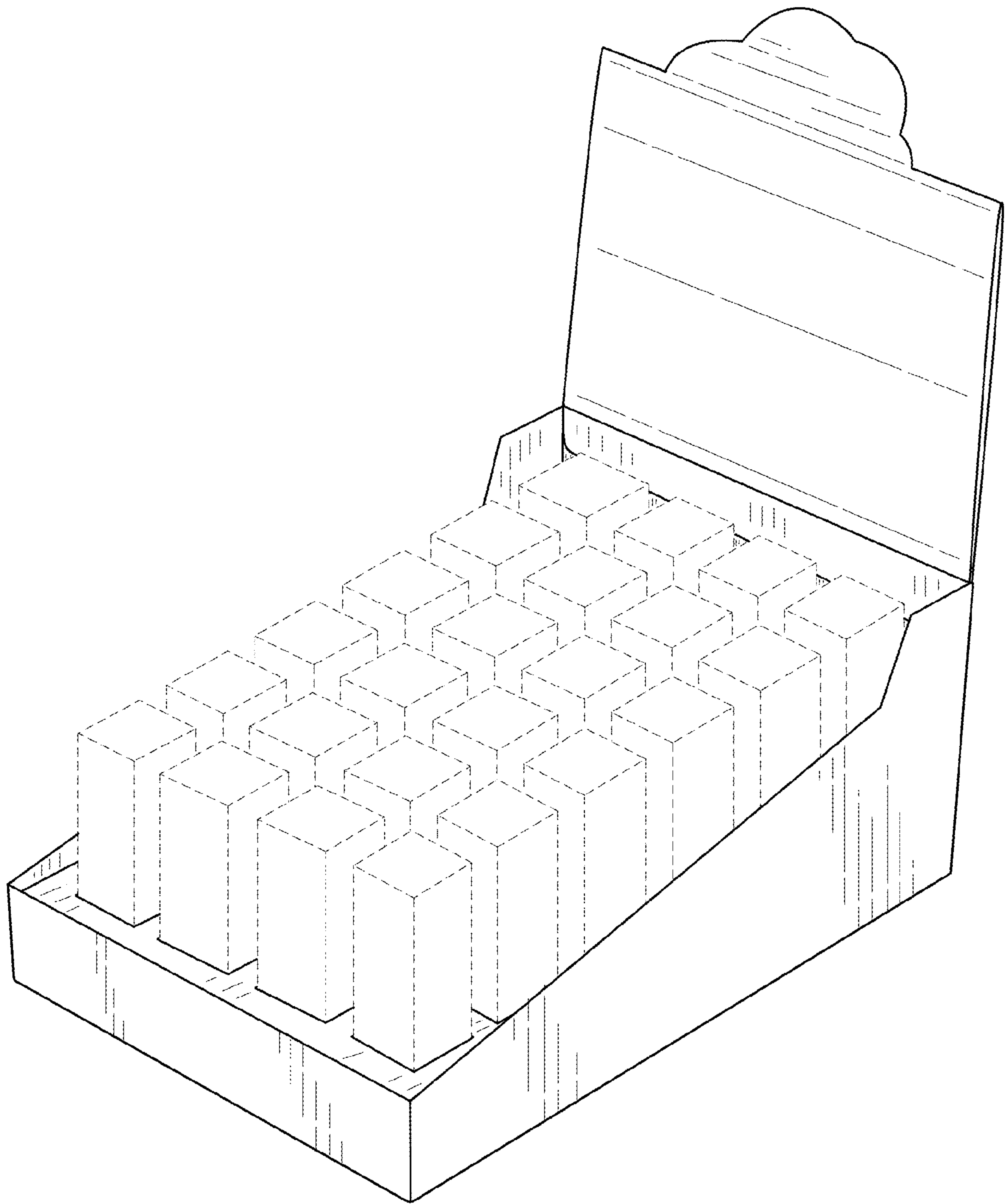


FIG.9

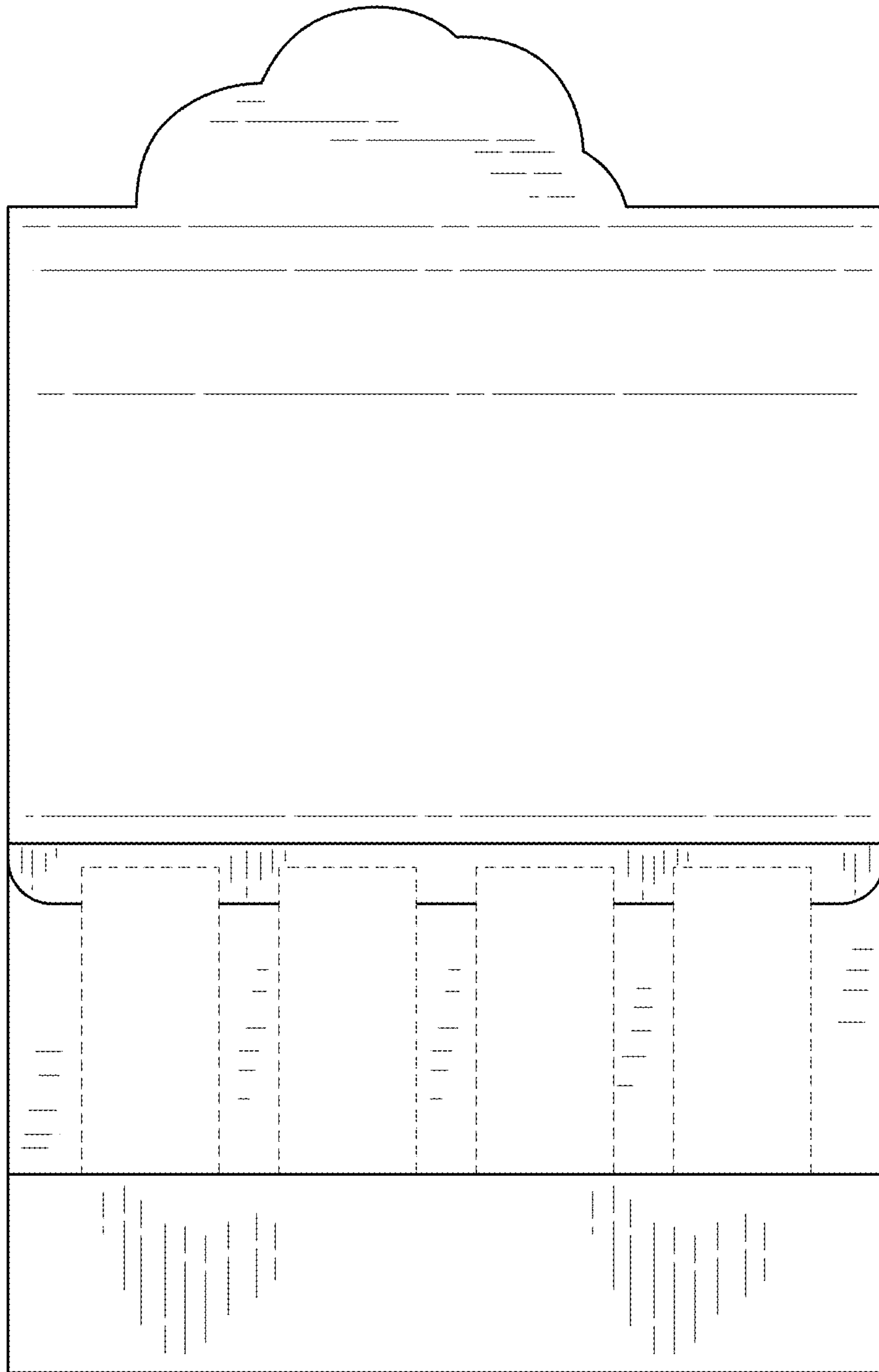


FIG.10

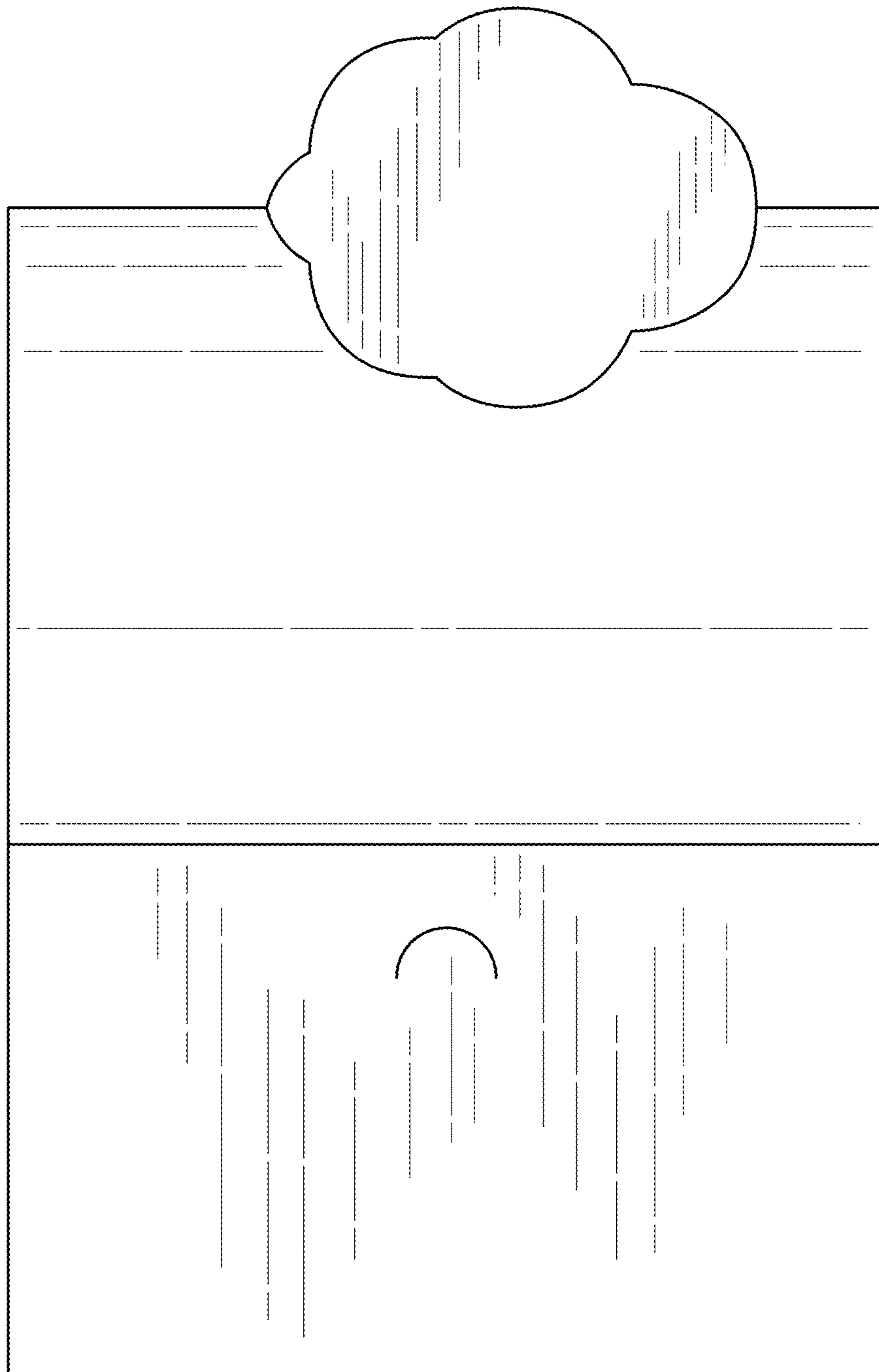


FIG.11

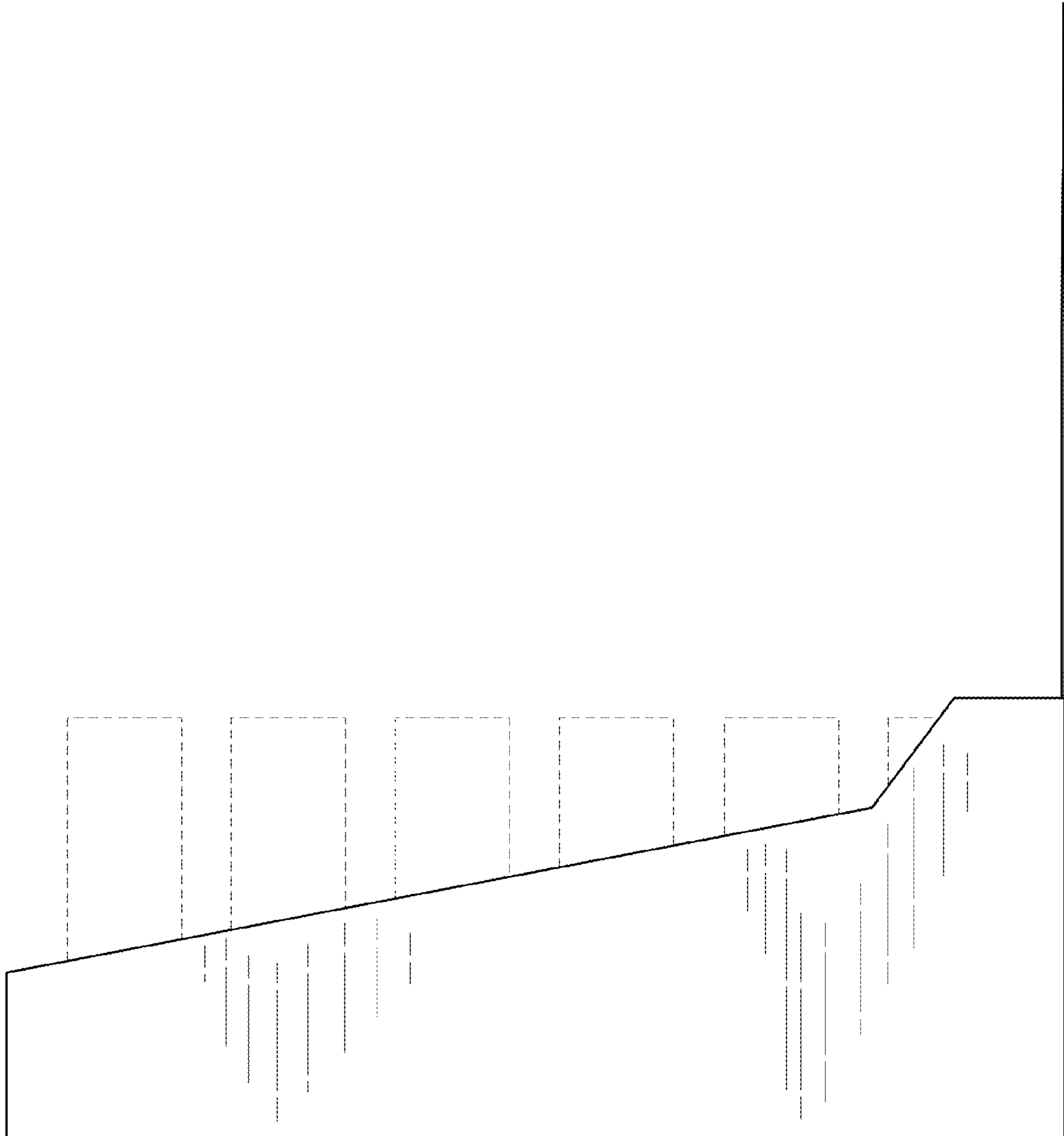


FIG.12

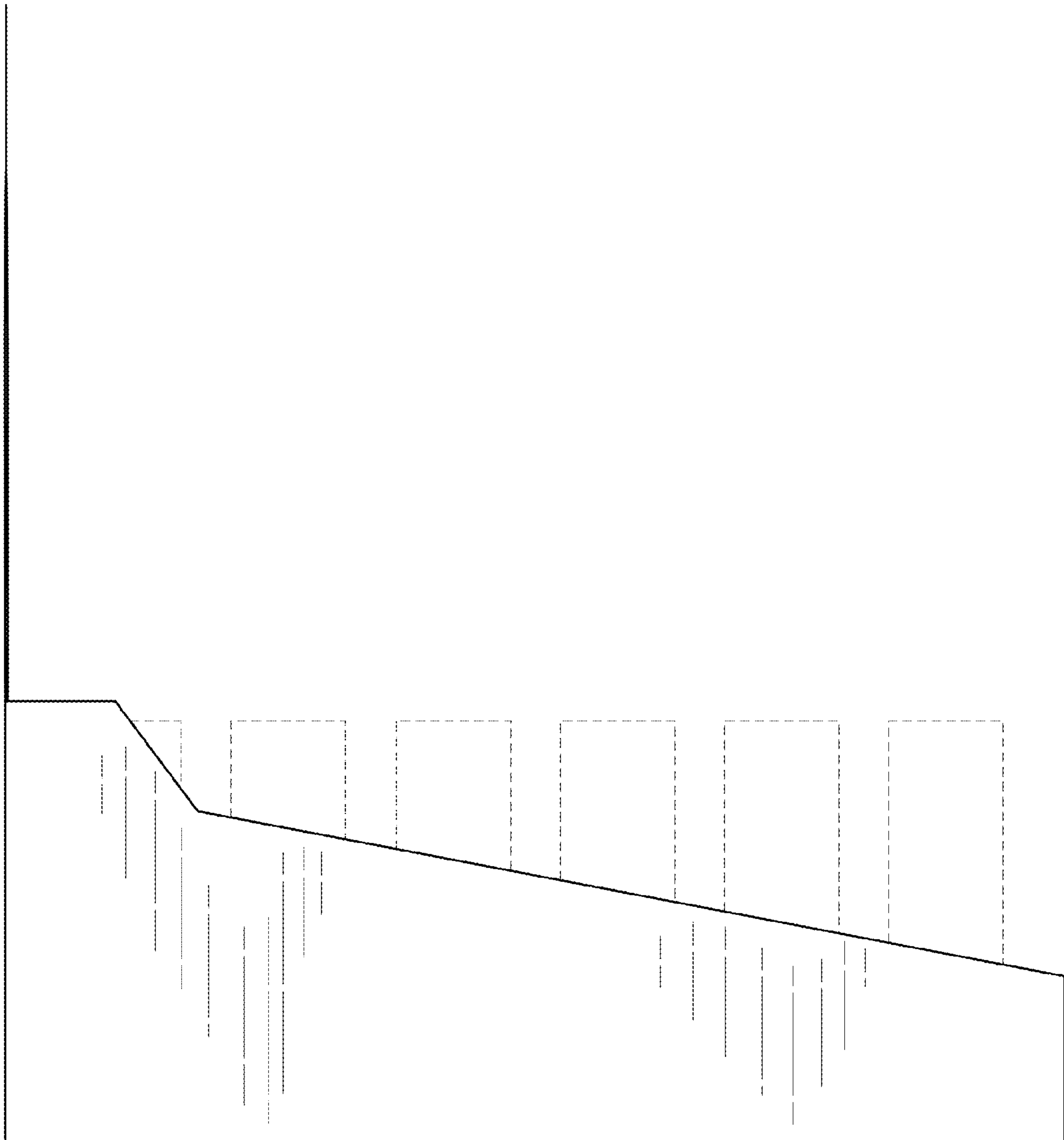


FIG. 13

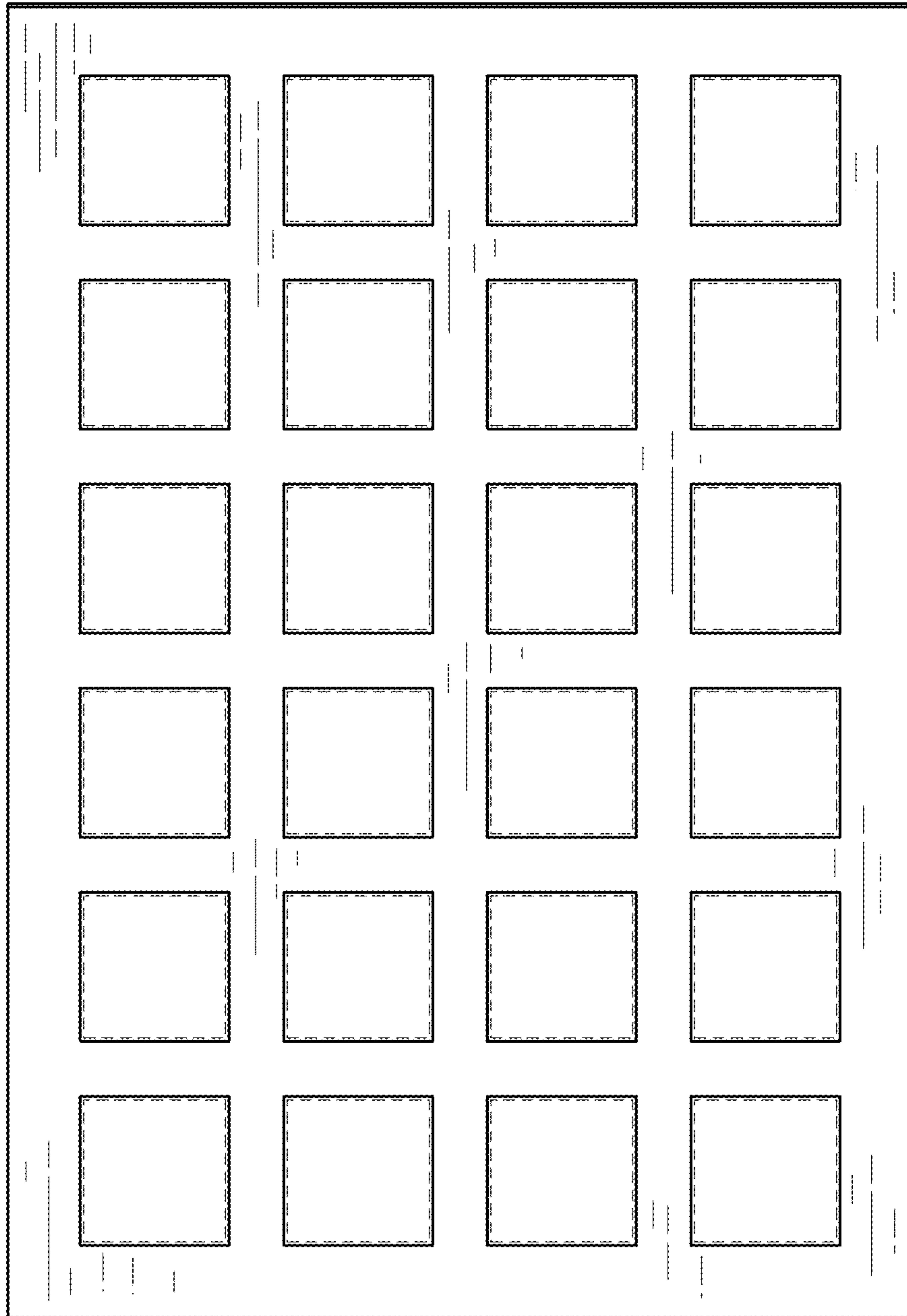


FIG.14

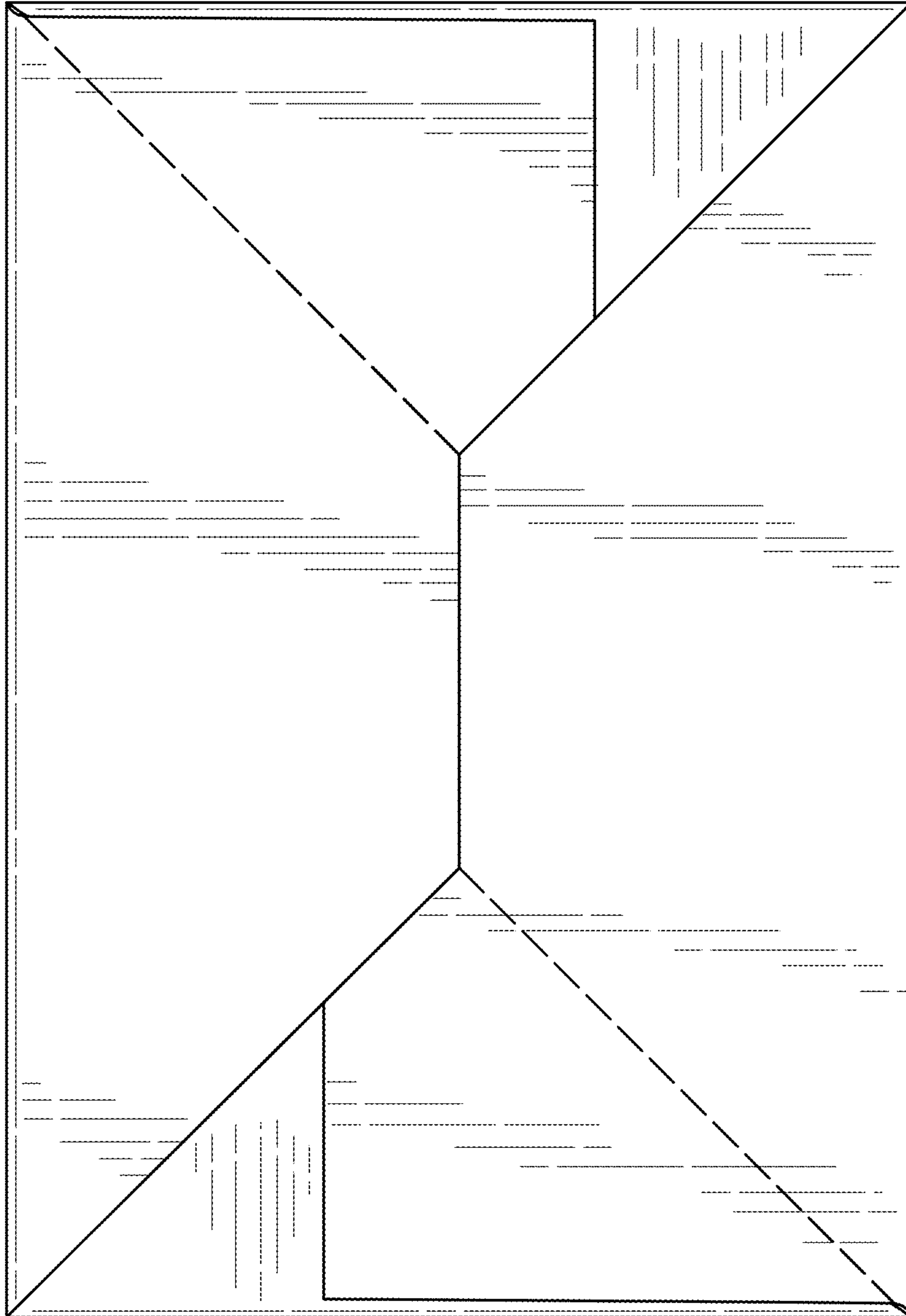


FIG.15