



US00D982434S

(12) **United States Design Patent**
Abrate

(10) **Patent No.:** **US D982,434 S**

(45) **Date of Patent:** **** Apr. 4, 2023**

(54) **DICE STORAGE CONTAINER**

(71) Applicant: **Level Up Dice LLC**, Indianapolis, IN
(US)

(72) Inventor: **Alessandro Abrate**, Indianapolis, IN
(US)

(73) Assignee: **Level Up Dice LLC**, Indianapolis, IN
(US)

(**) Term: **15 Years**

(21) Appl. No.: **29/806,010**

(22) Filed: **Aug. 31, 2021**

(51) **LOC (14) Cl.** **09-03**

(52) **U.S. Cl.**
USPC **D9/422**

(58) **Field of Classification Search**
USPC D9/422, 420, 499, 600, 432, 733;
D21/372, 393; D3/203.3, 299; D13/199;
D19/75; D34/4
CPC C07D 405/10
See application file for complete search history.

(56) **References Cited**

U.S. PATENT DOCUMENTS

D21,840 S *	9/1892	Dobrick	D9/600
D265,663 S *	8/1982	Godberson	D21/372
D274,630 S *	7/1984	Neuwahl	D21/372
D304,739 S *	11/1989	Ukisu	D9/422
D355,359 S *	2/1995	Herzog	D9/422
D383,385 S *	9/1997	Hayduk	D21/372
D385,310 S *	10/1997	Heitmann	D21/393
D401,721 S *	11/1998	Dionisio	D34/4
D520,063 S *	5/2006	Scimone	D19/75
D529,819 S *	10/2006	Jackson	D9/733
D535,874 S *	1/2007	Tanner	D9/422
D542,316 S *	5/2007	Jackson	D9/733

D623,055 S *	9/2010	Sano	D9/422
D687,296 S *	8/2013	Delsol	D9/422
D737,137 S *	8/2015	Exner	D9/432
D909,322 S *	2/2021	Yoshida	D13/199
D951,764 S *	5/2022	Irwin	D9/422
D957,130 S *	7/2022	Tung	D3/299
D966,696 S *	10/2022	Chen	D3/203.3
2022/0340548 A1 *	10/2022	Alvey	C07D 405/10

* cited by examiner

Primary Examiner — Rhea Shields

(74) *Attorney, Agent, or Firm* — Gerben Perrott, PLLC;
Benjamin M. Hanrahan

(57) **CLAIM**

The ornamental design for a dice storage container, as shown and described.

DESCRIPTION

FIG. 1 is a front-left-top perspective view illustrating my/our design for a dice storage container disposed in a closed position.

FIG. 2 is a front-right-top perspective view thereof.

FIG. 3 is a front view thereof.

FIG. 4 is a top view thereof.

FIG. 5 is a rear view thereof.

FIG. 6 is a bottom view thereof.

FIG. 7 is a right-side view thereof.

FIG. 8 is a left-side view thereof.

FIG. 9 is a front-right-top perspective view of the dice storage container disposed in an open position.

FIG. 10 is a rear-left-top perspective view thereof.

FIG. 11 is a front view thereof.

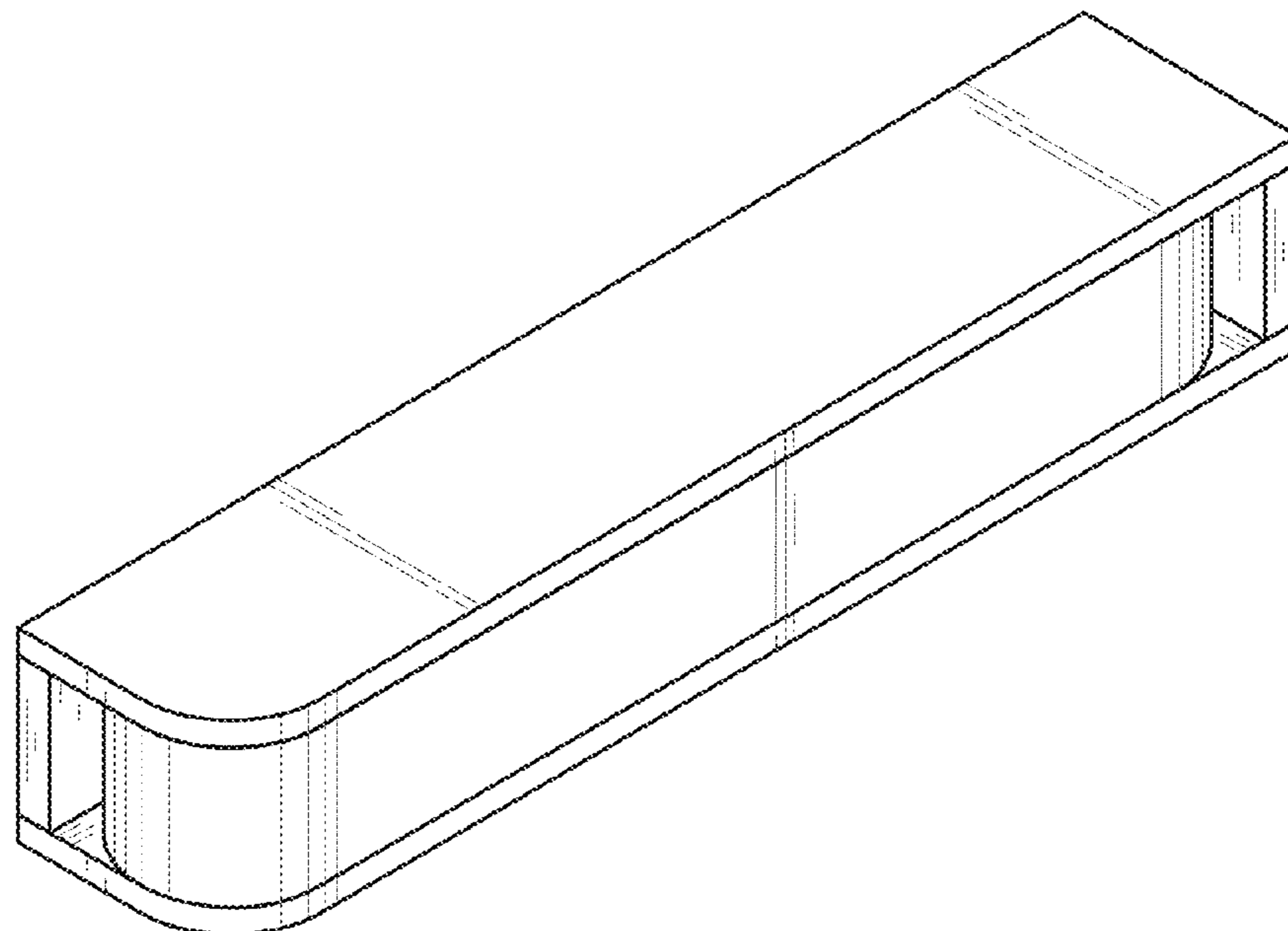
FIG. 12 is a top view thereof.

FIG. 13 is a bottom view thereof.

FIG. 14 is a left-side view thereof; and,

FIG. 15 is a right-side view thereof.

1 Claim, 9 Drawing Sheets



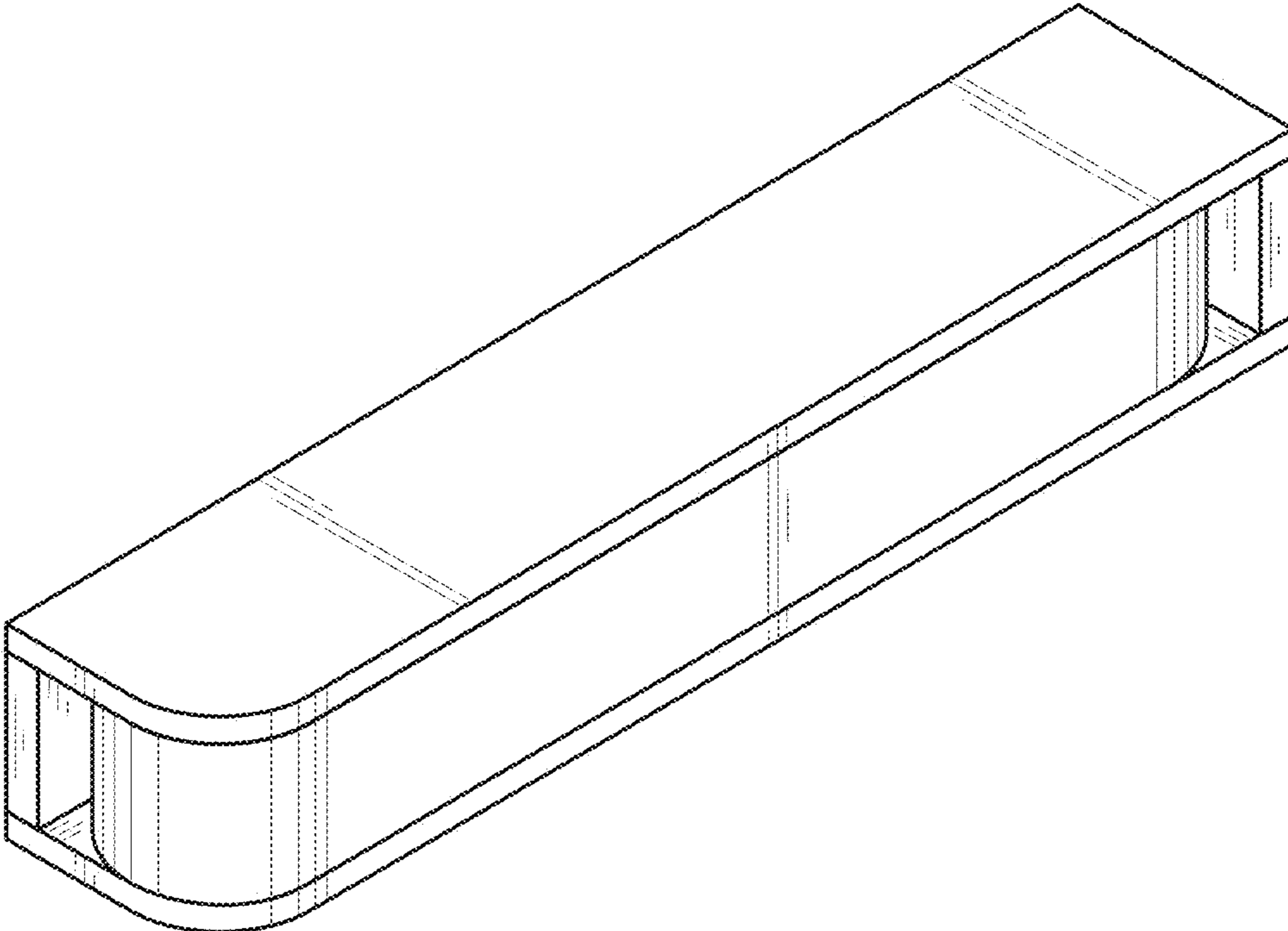


FIG. 1

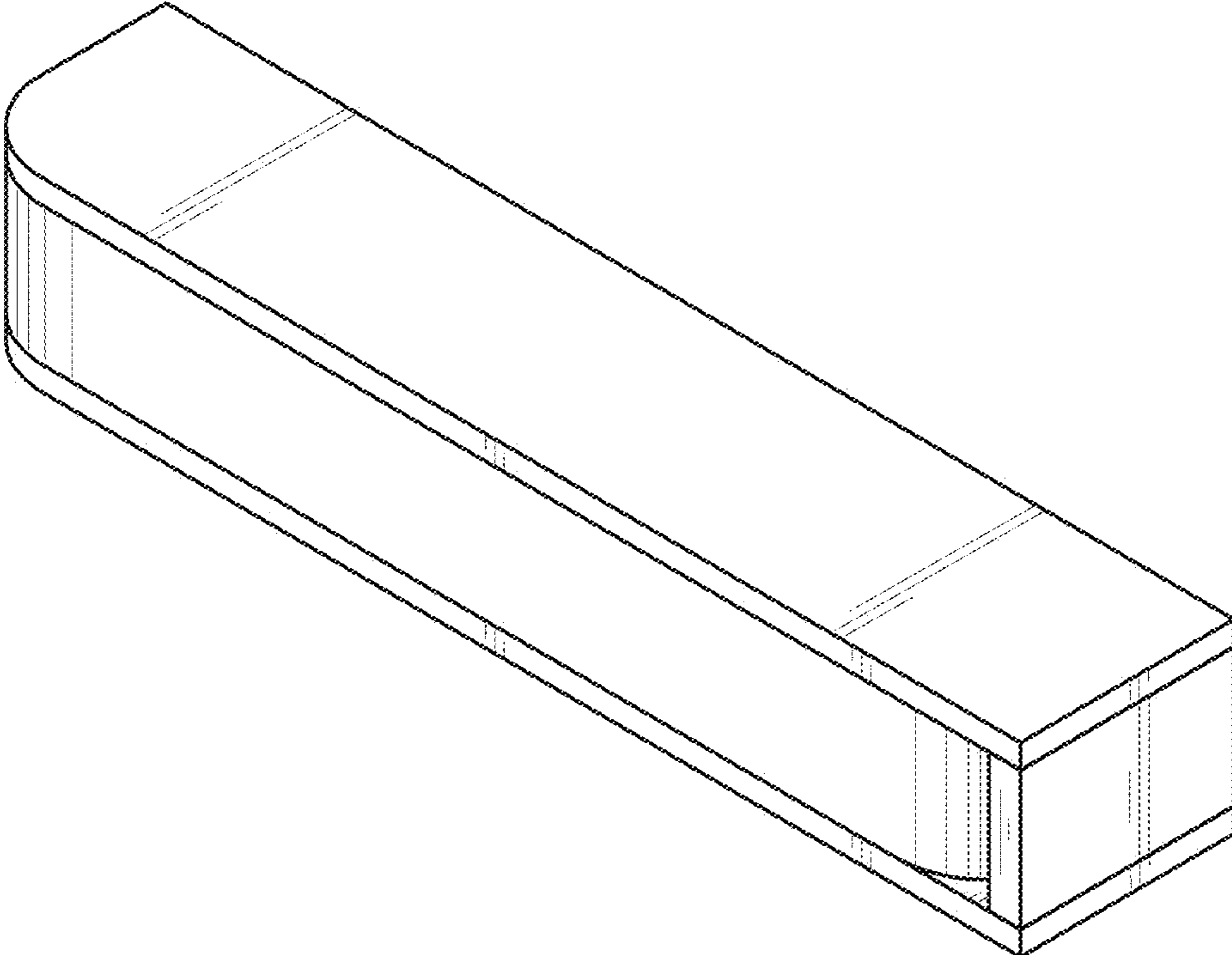


FIG. 2

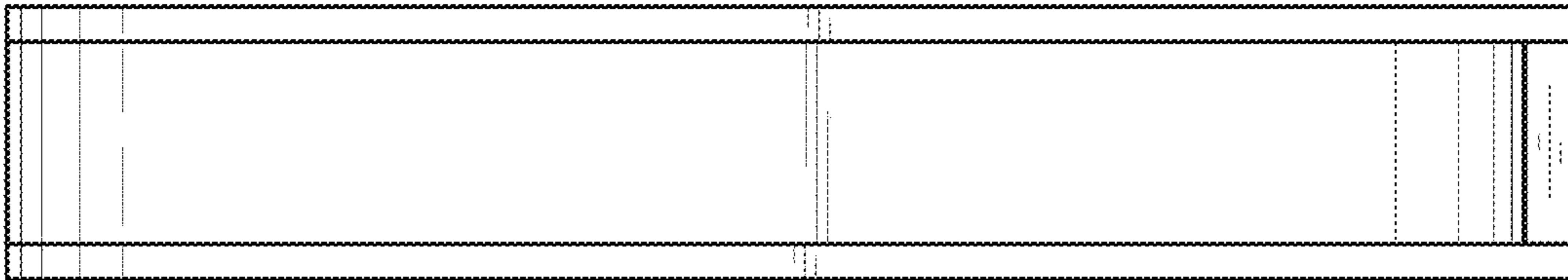


FIG. 3

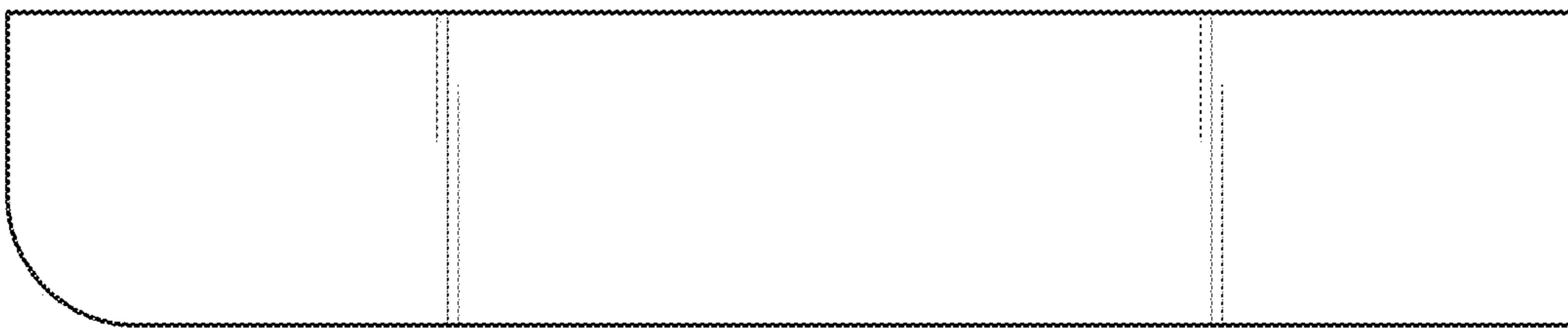


FIG. 4

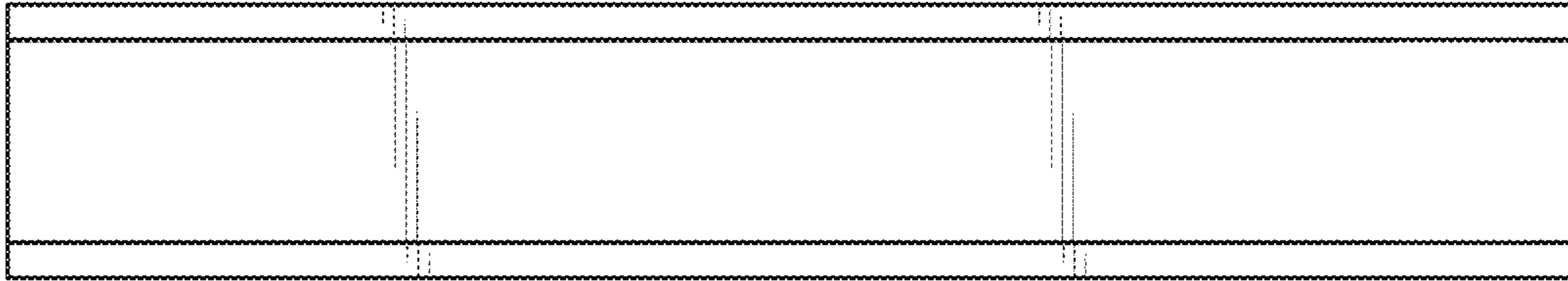


FIG. 5



FIG. 6

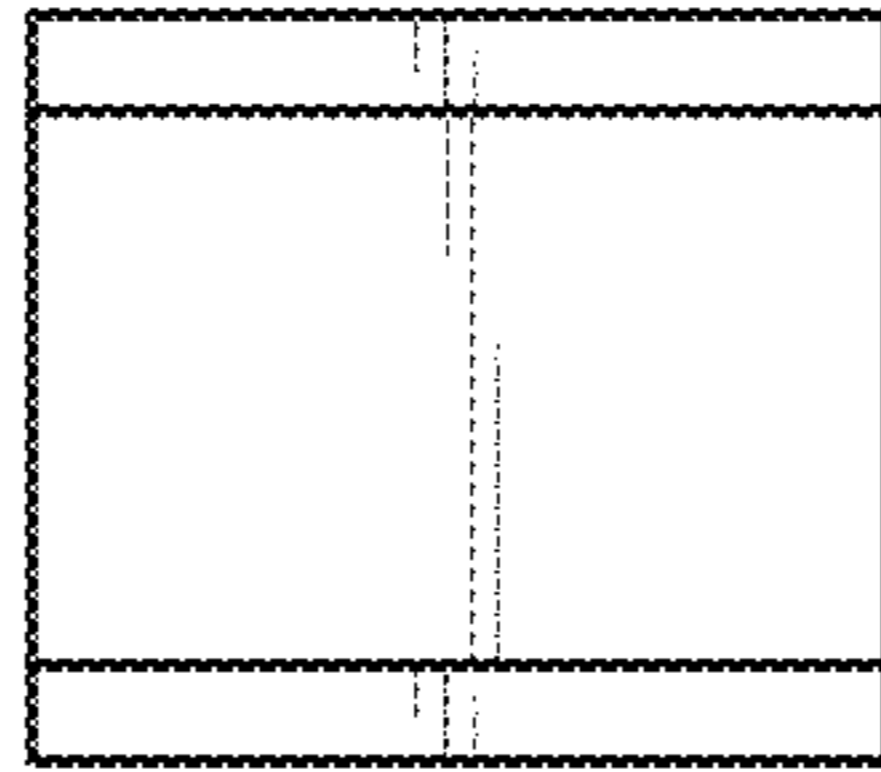


FIG. 7

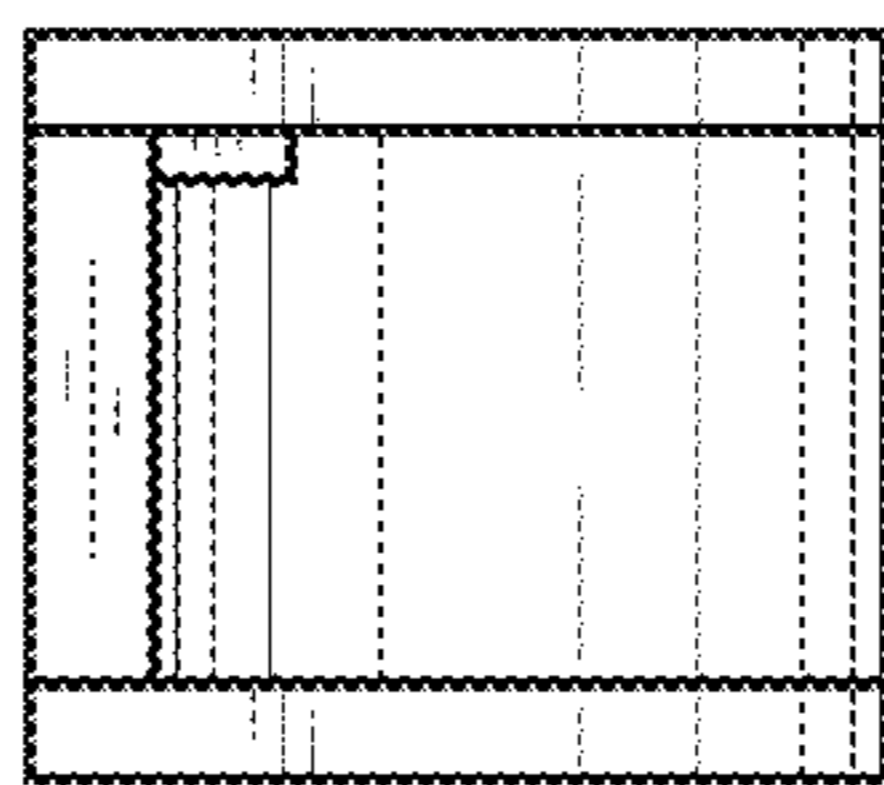


FIG. 8

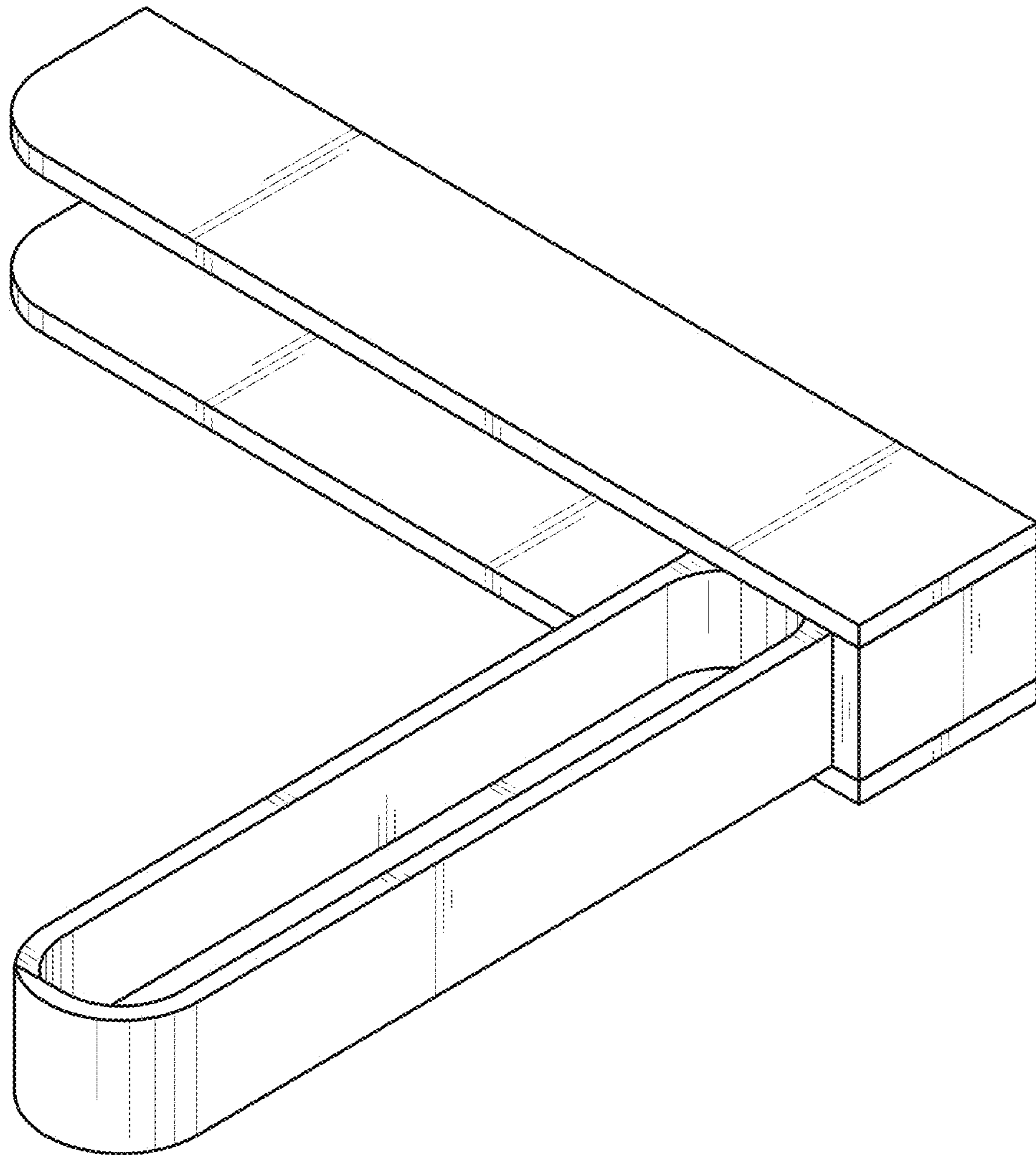


FIG. 9

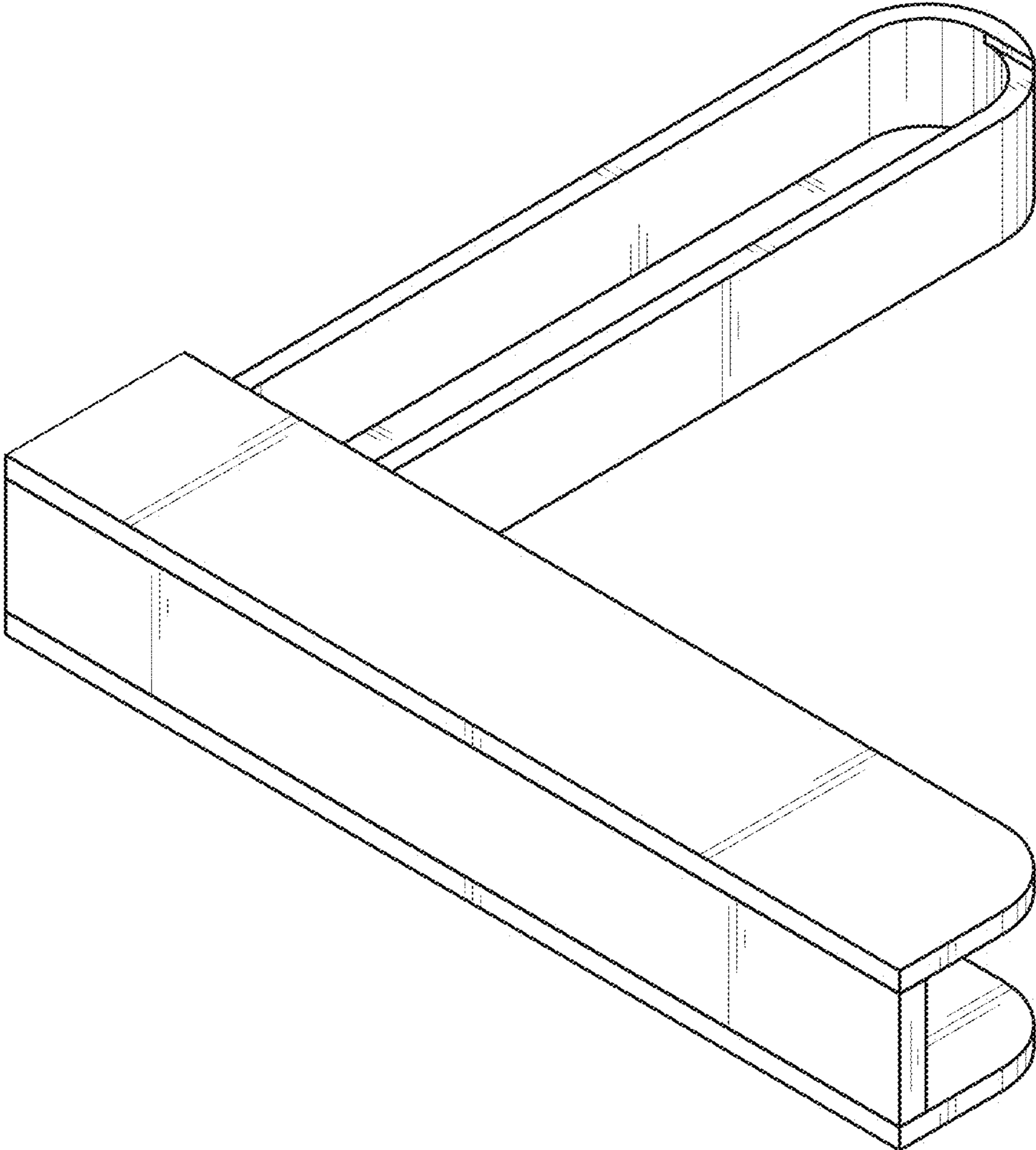


FIG. 10

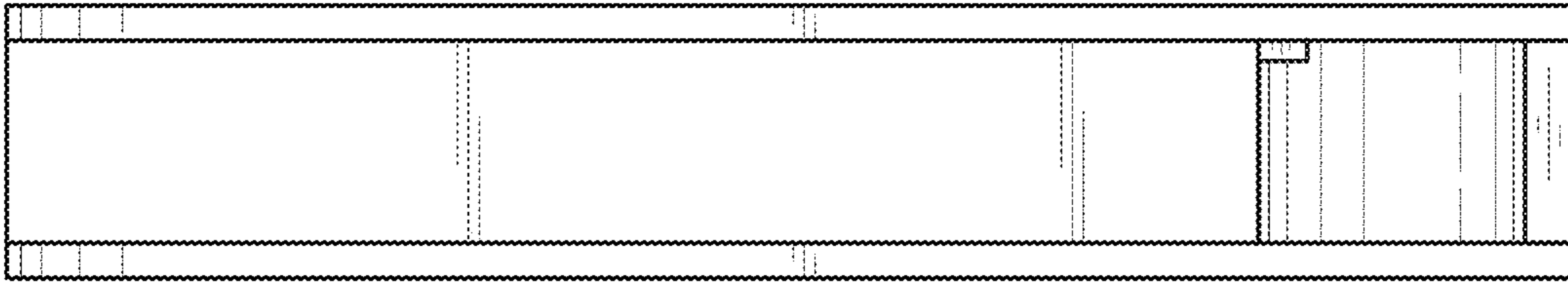


FIG. 11

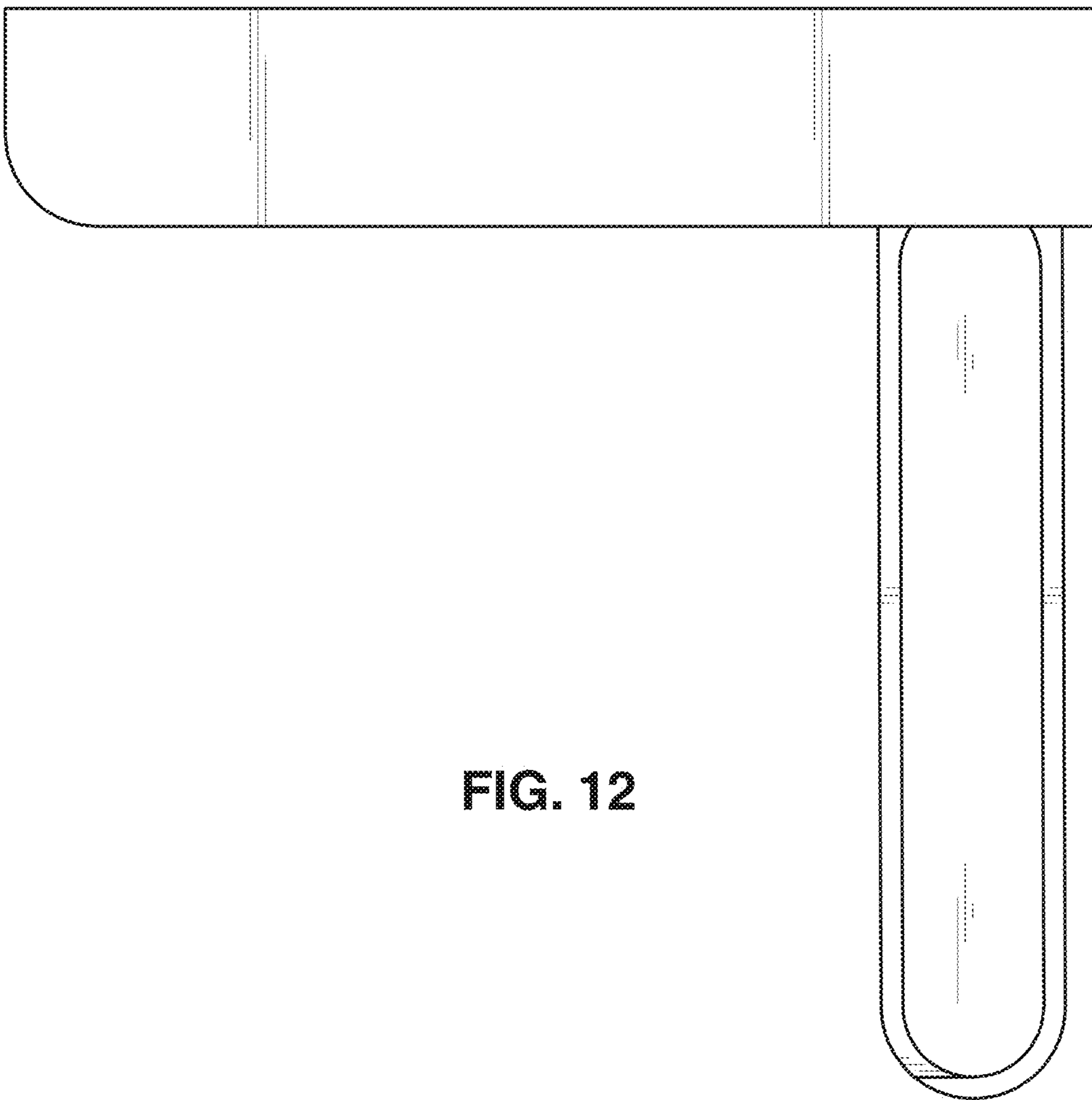


FIG. 12

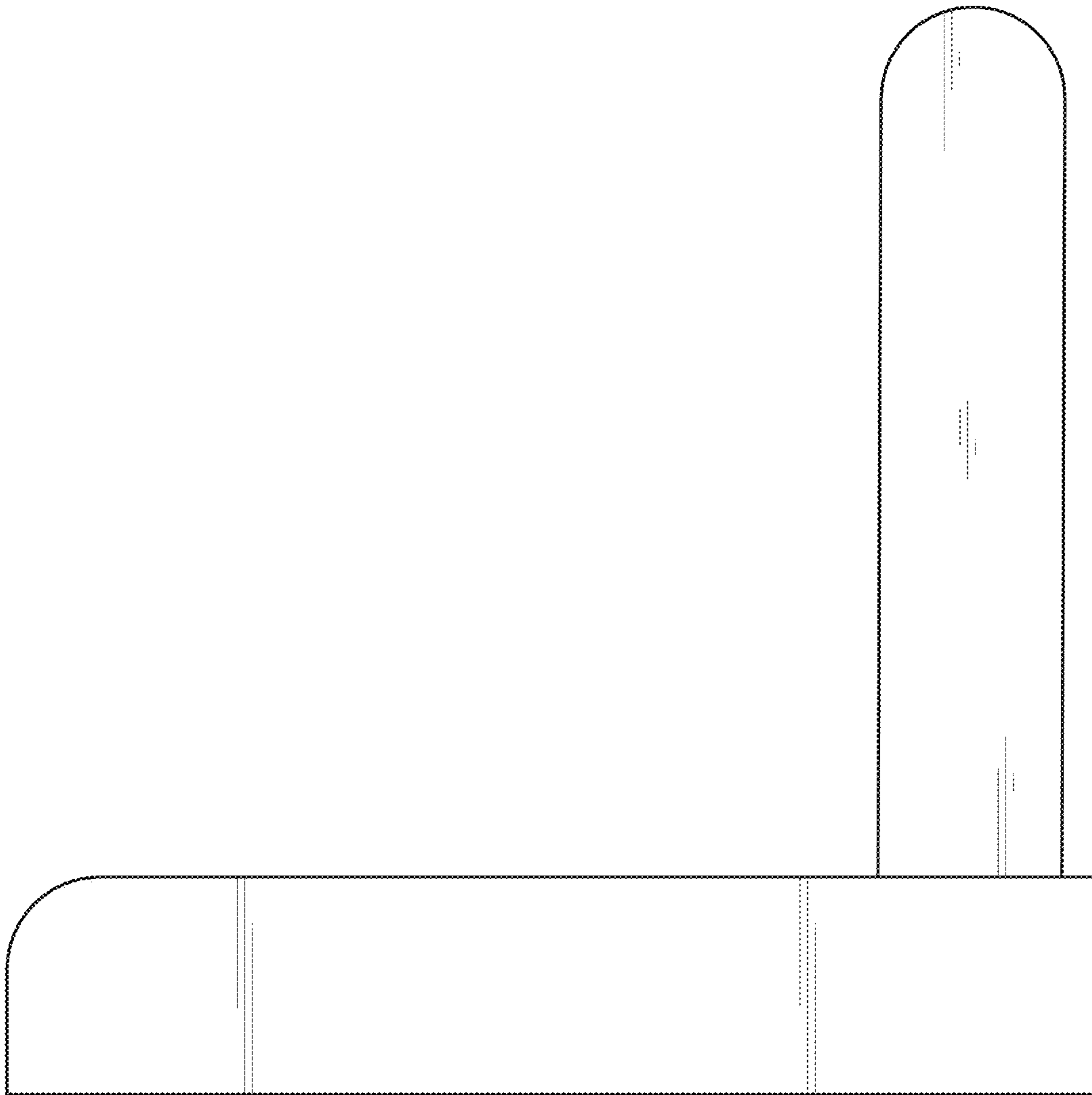


FIG. 13

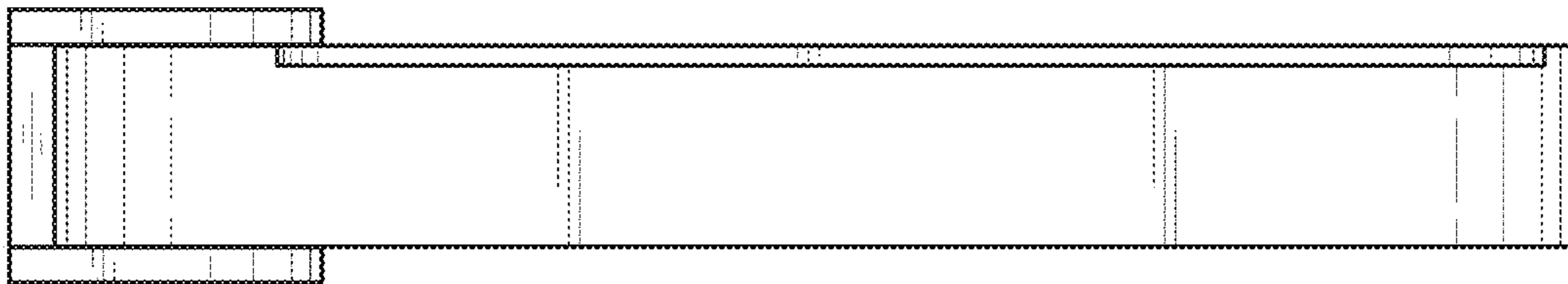


FIG. 14

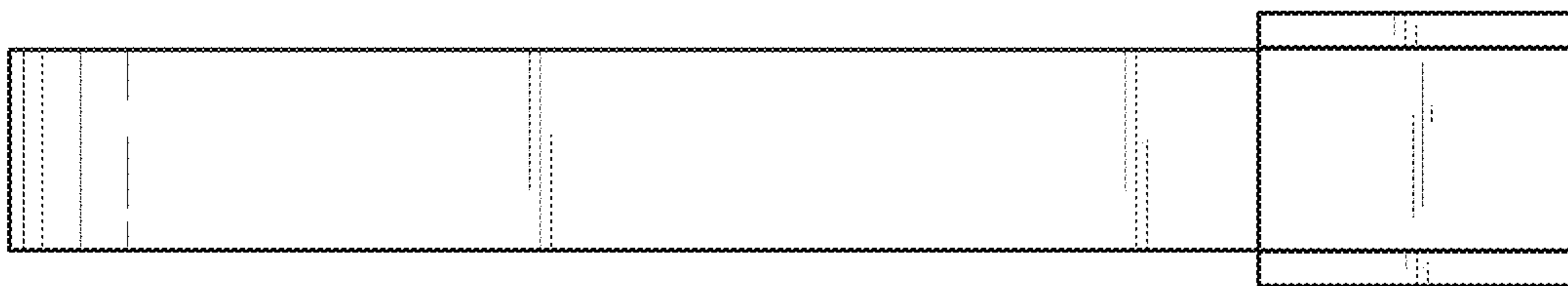


FIG. 15