



US00D982432S

(12) **United States Design Patent**
Sill et al.

(10) **Patent No.:** **US D982,432 S**

(45) **Date of Patent:** **** Apr. 4, 2023**

(54) **CLOSEABLE CARTON**

(71) Applicant: **Inno-Pak, LLC**, Delaware, OH (US)

(72) Inventors: **Jonathan D. Sill**, Delaware, OH (US);
Steven A. Mayer, Indianapolis, IN (US)

(73) Assignee: **Inno-Pak, LLC**, Delaware, OH (US)

(**) Term: **15 Years**

(21) Appl. No.: **29/762,294**

(22) Filed: **Dec. 15, 2020**

Related U.S. Application Data

(62) Division of application No. 29/633,127, filed on Jan. 12, 2018, now Pat. No. Des. 904,871.

(51) **LOC (14) Cl.** **09-03**

(52) **U.S. Cl.**
USPC **D9/418**

(58) **Field of Classification Search**
USPC D9/414–415, 418, 432, 434; D3/203.2;
D10/64

CPC B65D 25/22; B65D 71/125; A01K 67/033
See application file for complete search history.

(56) **References Cited**

U.S. PATENT DOCUMENTS

D259,253 S	5/1981	Nelson
D262,945 S	2/1982	Lytra
D263,796 S	4/1982	Fireman
D265,551 S	7/1982	Colby
D271,283 S	11/1983	Taylor
D271,664 S	12/1983	Cowan, Jr.
D274,407 S	6/1984	Rosenburg, Jr.
D279,355 S	6/1985	Ujije
D291,065 S	7/1987	Pugh
D295,958 S	5/1988	Pugh
D295,959 S	5/1988	Pugh
D300,906 S	5/1989	Caldwell

(Continued)

OTHER PUBLICATIONS

Notice of Allowance dated Apr. 18, 2016 from U.S. Appl. No. 29/527,085.

Office Action dated Feb. 1, 2016 from U.S. Appl. No. 29/516,707.

Primary Examiner — Rhea Shields

(74) *Attorney, Agent, or Firm* — Ward and Smith, P.A.;
Ryan K. Simmons

(57) **CLAIM**

The ornamental design for a closeable carton, as shown and described.

DESCRIPTION

FIG. 1 is a front perspective view of a first embodiment of a closeable carton, the rear perspective view being a mirror image;

FIG. 2 is a top plan view thereof;

FIG. 3 is a front perspective view of a second embodiment of the closeable carton, the rear perspective view being a mirror image;

FIG. 4 is a front elevation view thereof, the rear elevation view being a mirror image;

FIG. 5 is a top plan view thereof;

FIG. 6 is a front perspective view of a third embodiment of the closeable carton, the rear perspective view being a mirror image;

FIG. 7 is a top plan view thereof;

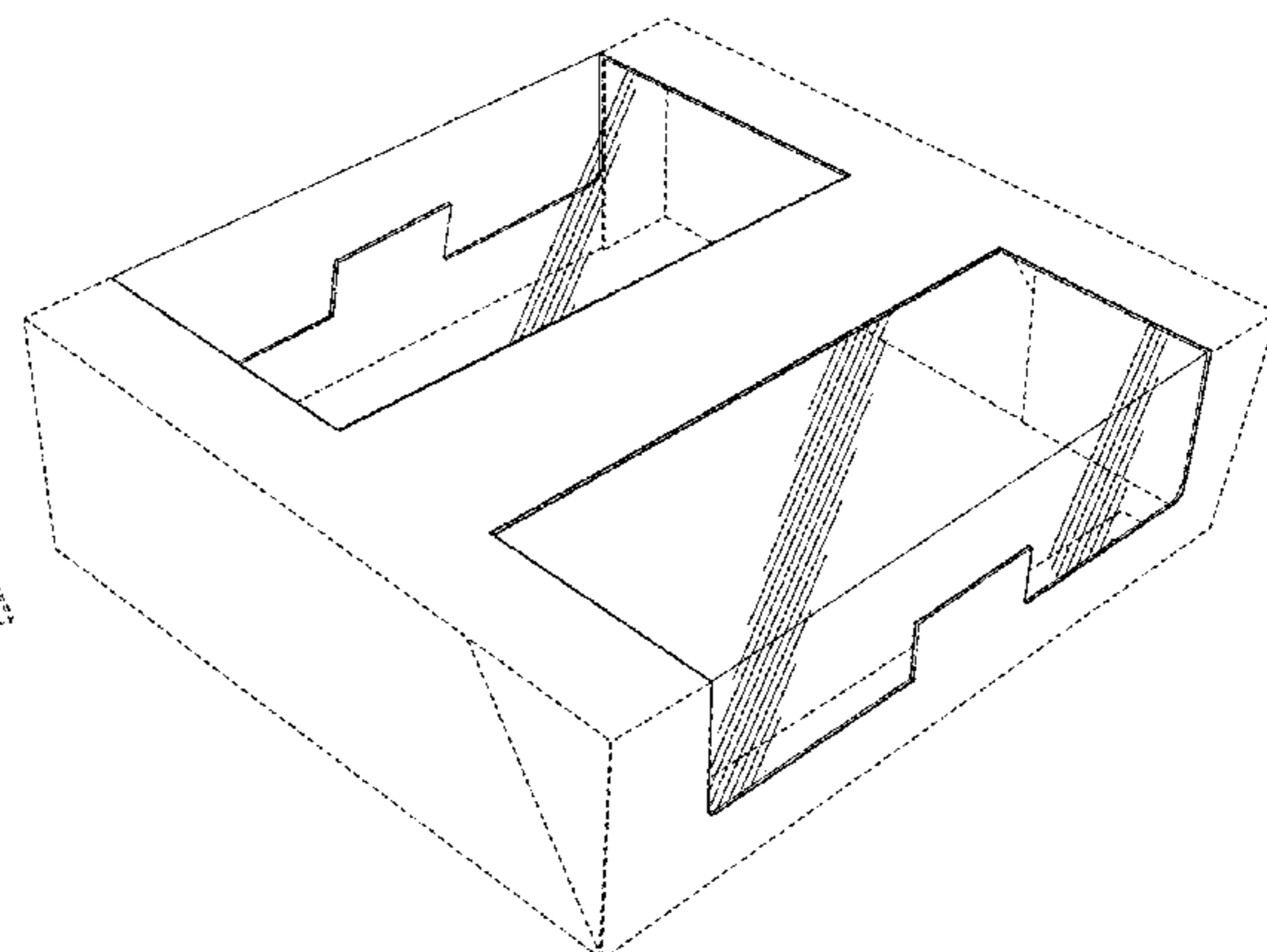
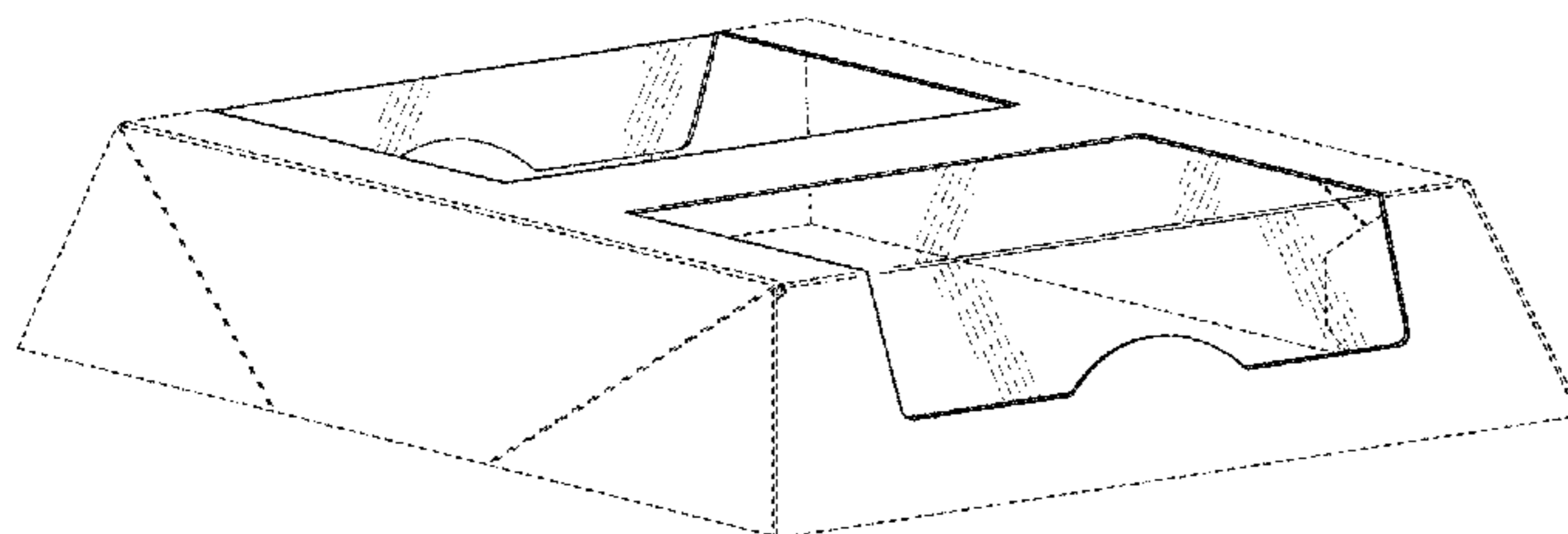
FIG. 8 is a front perspective view of a fourth embodiment of the closeable carton, the rear perspective view being a mirror image;

FIG. 9 is a front elevation view thereof, the rear elevation view being a mirror image; and,

FIG. 10 is a top plan view thereof.

In the drawings, the broken lines are for the purpose of illustrating portions of the closeable carton that form no part of the claimed design.

1 Claim, 10 Drawing Sheets



(56)

References Cited

U.S. PATENT DOCUMENTS

D302,948 S	8/1989	Blum	D629,294 S	12/2010	Chinnis
D304,907 S	12/1989	Tamsen	D629,295 S	12/2010	Franic
D305,204 S	12/1989	Reifein	D636,662 S	4/2011	Ignacio et al.
4,911,298 A	3/1990	Miyagawa	D637,078 S	5/2011	Peng
D308,941 S	7/1990	Kong	D637,488 S	5/2011	Franic
D309,262 S	7/1990	Coiner	D638,702 S	5/2011	Lowery
D309,753 S	8/1990	Kagelmann-Holtz	D644,099 S	8/2011	Martinez Rodriguez
D326,225 S	5/1992	Beckerman	D644,508 S	9/2011	Martinez Rodriguez
5,114,002 A	5/1992	Warner	D646,964 S	10/2011	Ampadu
D332,347 S	1/1993	Raadt	D647,398 S	11/2011	Winkler
D332,744 S	1/1993	McCooey	D649,067 S	11/2011	Birdwell et al.
D333,781 S	3/1993	Kobel	D649,451 S	11/2011	Franic
D335,820 S	5/1993	Detert	D649,886 S	12/2011	Ocampo
D337,047 S	7/1993	Pearce	D651,074 S	12/2011	Lacey
D351,554 S	10/1994	Kim	D655,153 S	3/2012	Mitten
D362,405 S	9/1995	Dallimore	D659,380 S *	5/2012	Mayer D3/203.2
D365,755 S	1/1996	Kanfer et al.	D668,540 S	10/2012	Lutzig
5,505,372 A	4/1996	Edson	D675,092 S	1/2013	Sill
D371,070 S	6/1996	Brier	8,356,743 B2	1/2013	Spivey, Sr.
D371,959 S	7/1996	Hupp	D675,920 S	2/2013	Sill
D372,401 S	8/1996	Lillelund et al.	8,376,214 B2	2/2013	Spivey, Sr
D378,126 S	2/1997	Williams	D678,779 S	3/2013	Lee
D380,964 S	7/1997	Miller	D679,950 S	4/2013	Cooper
D383,669 S	9/1997	Taylor	D681,444 S	5/2013	Oja et al.
D386,079 S	11/1997	Harper	D685,633 S	7/2013	Thomas
D387,979 S	12/1997	Dolan	D688,568 S	8/2013	Noel
D389,739 S	1/1998	Auclair	D693,215 S	11/2013	Sill
D401,147 S	11/1998	Miller	D693,216 S	11/2013	Sill
D403,576 S	1/1999	Weiss	D693,217 S	11/2013	Sill
D406,754 S	3/1999	Tanabe	D693,218 S	11/2013	Sill
D415,960 S	11/1999	Majdanski et al.	D695,104 S	12/2013	Sill
5,992,733 A	11/1999	Gomes	D696,725 S	12/2013	Sasken-Duff et al.
D425,702 S *	5/2000	Baich D10/64	8,607,987 B2	12/2013	Oja et al.
D429,462 S	8/2000	Kumakura	D699,103 S	2/2014	Rathbone et al.
D429,635 S *	8/2000	Ito D9/415	D706,132 S	6/2014	Sill
D430,017 S *	8/2000	Ito D9/415	D708,511 S	7/2014	Green
D430,396 S	9/2000	Biesecker	D710,713 S	8/2014	Fath
D433,260 S	11/2000	Shimbo	D712,275 S	9/2014	Irek
D440,491 S	4/2001	Stacy-Ryan	D713,716 S	9/2014	Oja et al.
D442,859 S	5/2001	Hirschey	D716,649 S	11/2014	McAdam
6,227,367 B1	5/2001	Harrelson	D717,162 S	11/2014	Baker
D443,204 S	6/2001	Garrant	D717,163 S	11/2014	Paulsen
D464,878 S	10/2002	Thompson	D717,645 S	11/2014	Wilmers
D469,349 S	1/2003	Meeker et al.	D719,440 S	12/2014	Matloff
D469,692 S	2/2003	Meeker et al.	D719,845 S	12/2014	Lee
D485,172 S	1/2004	Defino	D722,869 S	2/2015	Himmelsbach et al.
D518,371 S	4/2006	Franic	D726,004 S	4/2015	Chiang
D519,366 S	4/2006	Epstein	D727,732 S	4/2015	Petty
D527,629 S	9/2006	Franic	D728,357 S	5/2015	Pierce
D529,795 S	10/2006	Kragtwijk	D729,055 S	5/2015	Lemnios et al.
D536,245 S	2/2007	Bruun	D729,058 S	5/2015	Ishikawa
D536,612 S	2/2007	Geurts et al.	D734,145 S	7/2015	Fath et al.
D540,164 S	4/2007	Franic	D739,228 S	9/2015	Jondal et al.
D556,599 S	12/2007	Keener	D740,654 S	10/2015	Boehnen et al.
D570,683 S	6/2008	Kortsmit et al.	D743,248 S	11/2015	Fath et al.
D578,883 S	10/2008	Kisch	D746,673 S	1/2016	Sanfilippo
D580,751 S	11/2008	Blick	D746,699 S	1/2016	Fath
7,444,956 B2 *	11/2008	Vadis A01K 67/033 119/6.5	D746,700 S	1/2016	Boehnen et al.
D582,791 S	12/2008	Elmerhaus	D753,919 S	4/2016	Parker
D587,998 S	3/2009	Kaisanlahti	D760,598 S	7/2016	White
D593,211 S	5/2009	Dewitt	D762,113 S *	7/2016	Mayer D9/418
D595,104 S	6/2009	Goodrich	D762,465 S	8/2016	Popper et al.
D596,027 S	7/2009	Kalberer	D766,108 S	9/2016	Brown
D601,016 S	9/2009	Kalberer	D774,891 S	12/2016	Mayer
D602,353 S	10/2009	Anderson et al.	D774,893 S	12/2016	Mayer
D605,506 S	12/2009	Franic	D774,895 S	12/2016	Mayer
D607,987 S	1/2010	Paxton	D774,896 S	12/2016	Mayer
D616,739 S	6/2010	Kalberer	D774,897 S	12/2016	Mayer
D617,636 S	6/2010	Vanhoutte	D774,898 S	12/2016	Mayer
D618,543 S	6/2010	Polaski	D776,522 S	1/2017	Mayer
7,780,004 B2	8/2010	Carlozzi	D784,164 S	4/2017	Toth
D623,939 S	9/2010	Tearle	D786,663 S	5/2017	Mayer
D624,405 S	9/2010	Franic	D787,313 S *	5/2017	Mayer D9/418
D626,831 S	11/2010	Nicholas	D787,314 S *	5/2017	Sill D9/418
			D787,315 S *	5/2017	Sill D9/418
			D787,316 S *	5/2017	Sill D9/418
			D787,929 S *	5/2017	Sill D9/418
			D787,933 S *	5/2017	Sill D9/418
			D789,783 S	6/2017	DeBusk

(56)

References Cited

U.S. PATENT DOCUMENTS

D795,696 S	8/2017	Pitera et al.	
D798,141 S *	9/2017	Miller	D9/418
D799,317 S	10/2017	Sill	
D799,955 S	10/2017	Sill	
D800,546 S	10/2017	Sill	
D800,547 S	10/2017	Sill	
D800,548 S	10/2017	Sill	
D804,298 S	12/2017	Demmink	
D809,917 S	2/2018	Wieser	
D816,479 S *	5/2018	Sill	D9/418
D816,480 S *	5/2018	Sill	D9/418
D816,481 S *	5/2018	Sill	D9/418
D820,688 S	6/2018	Fath	
D822,283 S	7/2018	Gaito	
D822,480 S	7/2018	Rivera	
D829,095 S	9/2018	McKenna	
D839,725 S	2/2019	Ralston et al.	
D840,219 S	2/2019	McKenna	
D840,807 S	2/2019	Ross	
D842,098 S	3/2019	Ross	
D844,430 S	4/2019	Dammers et al.	
D846,378 S	4/2019	Sill et al.	
D846,379 S	4/2019	Sill et al.	
D846,981 S *	4/2019	Sill	D9/418
D846,982 S	4/2019	Horne	
D847,454 S	4/2019	Mathia	
D847,626 S	5/2019	Sill et al.	
D852,032 S	6/2019	Horne	
D854,925 S	7/2019	Fath	
D856,131 S	8/2019	Hon	
D856,794 S	8/2019	Sill et al.	
D856,795 S	8/2019	Sill et al.	
D856,796 S	8/2019	Sill et al.	
D856,797 S	8/2019	Sill et al.	
D865,517 S	11/2019	Gressel et al.	
D866,314 S	11/2019	Marotti	
D867,125 S	11/2019	Sill et al.	
D878,914 S *	3/2020	Zeiler	D9/434
D879,603 S *	3/2020	Sill	D9/418
D879,604 S *	3/2020	Sill	D9/418
D879,606 S *	3/2020	Sill	D9/432
D880,999 S *	4/2020	Sill	D9/418
D881,000 S	4/2020	Sill	
D881,001 S	4/2020	Sill	
D881,002 S	4/2020	Sill	
D904,870 S *	12/2020	Sill	D9/418
D904,871 S *	12/2020	Sill	D9/418
D904,873 S *	12/2020	Sill	D9/418
D906,100 S *	12/2020	Sill	D9/418
2009/0236351 A1 *	9/2009	Chu	B65D 25/22 53/484
2010/0059579 A1	3/2010	House	
2013/0220873 A1	8/2013	Holly, Jr.	
2014/0103100 A1	4/2014	Falcon	
2015/0344216 A1	12/2015	Petty et al.	
2016/0009442 A1	1/2016	Block	
2016/0362220 A1	12/2016	Kearns	
2017/0066586 A1	3/2017	Petty	
2018/0009585 A1	1/2018	Ramsuer	
2018/0022500 A1	1/2018	Zhu	
2018/0118403 A1	5/2018	Petty	
2018/0127141 A1	5/2018	Brundage	
2018/0141734 A1	5/2018	Kooc	
2018/0297761 A1	10/2018	Alexander	
2018/0319560 A1	11/2018	Blin	
2019/0009946 A1	1/2019	Nixon	
2019/0016501 A1	1/2019	Djokovic	
2019/0144157 A1 *	5/2019	Sill	B65D 71/125 206/459.1

* cited by examiner

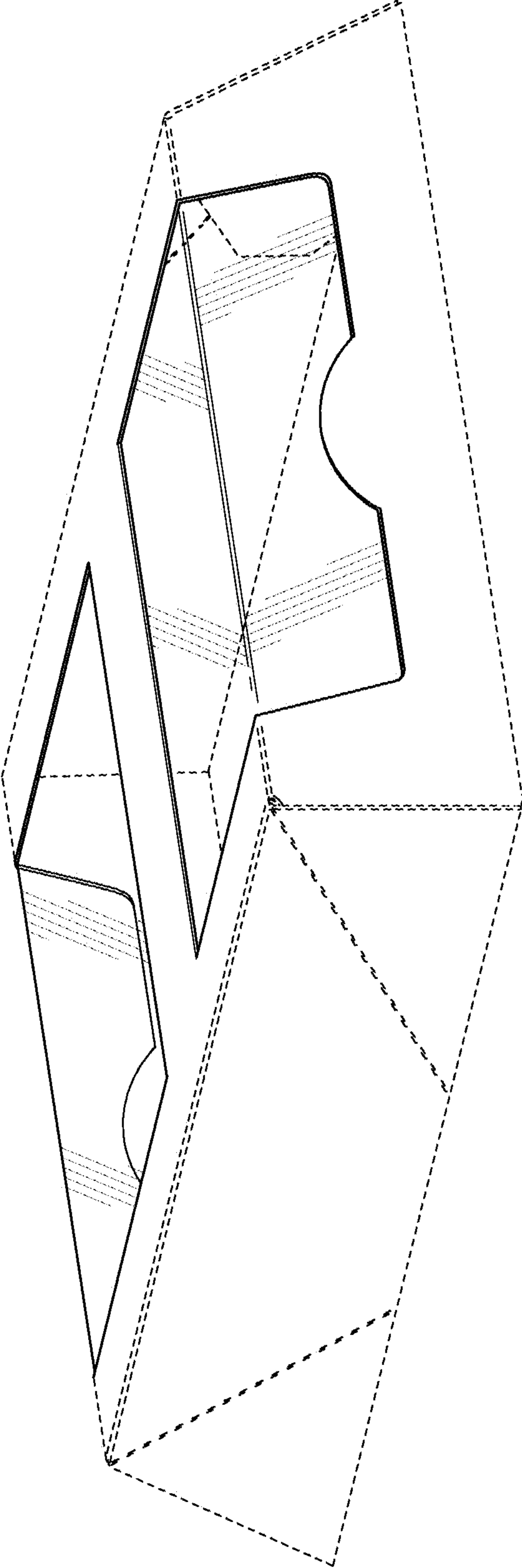


FIG. 1

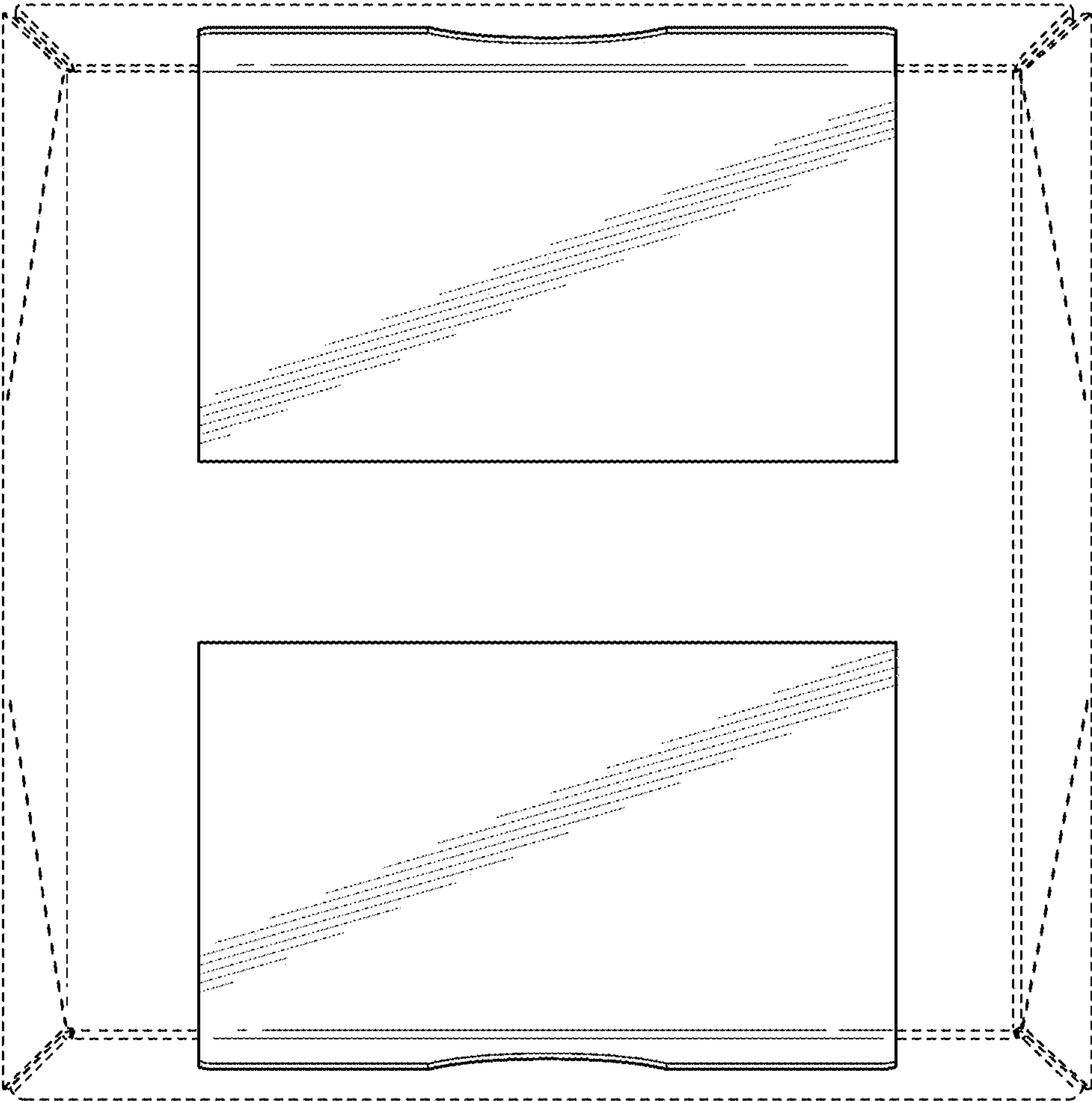


FIG. 2

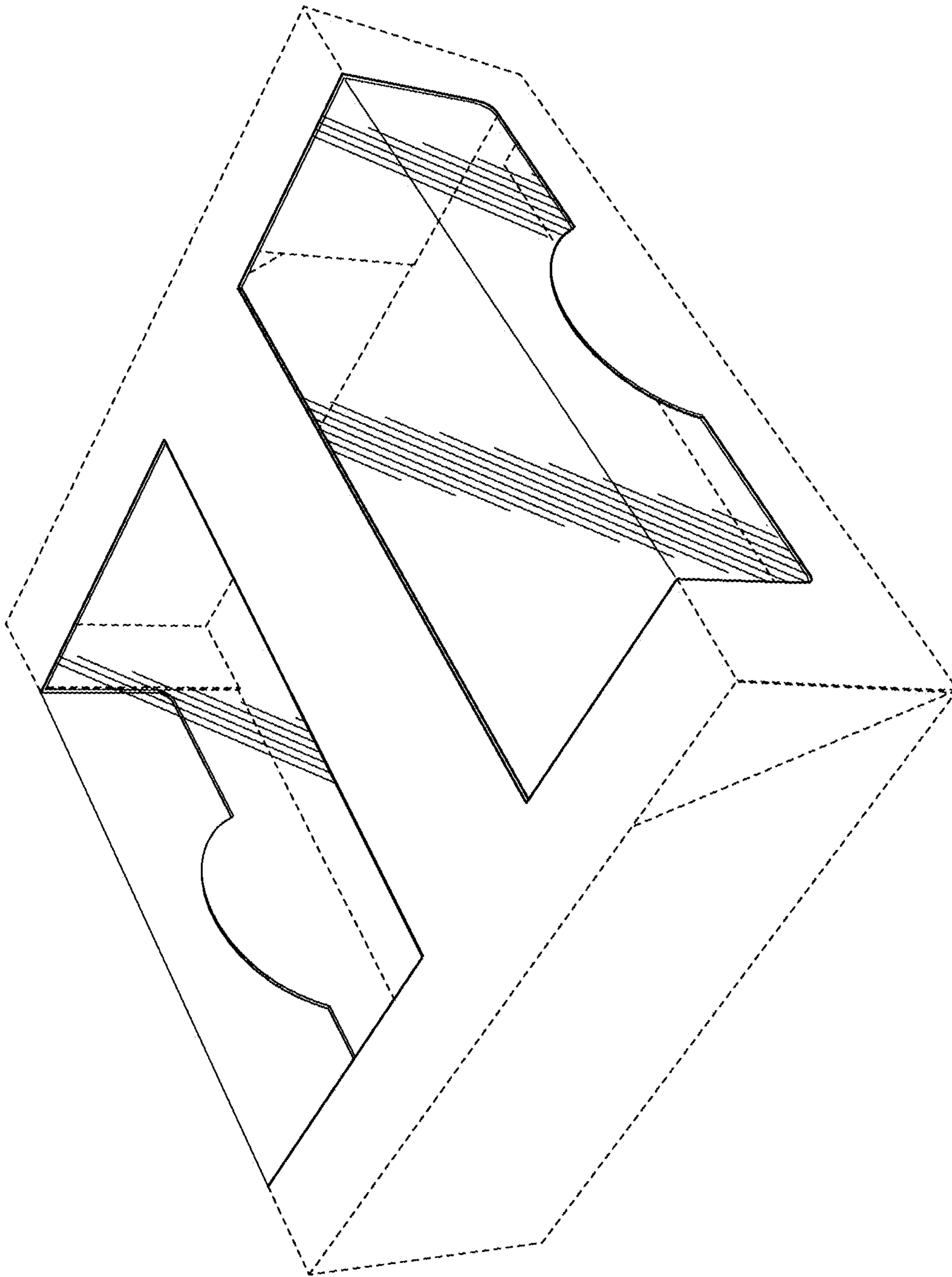


FIG. 3

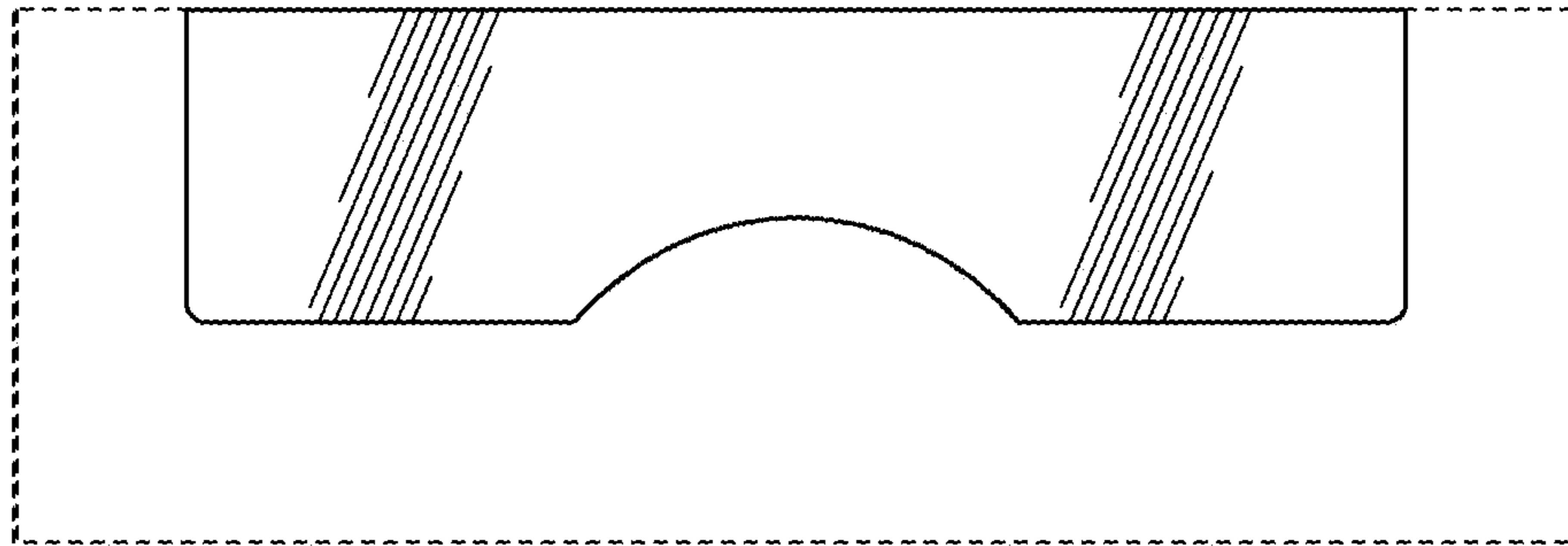


FIG. 4

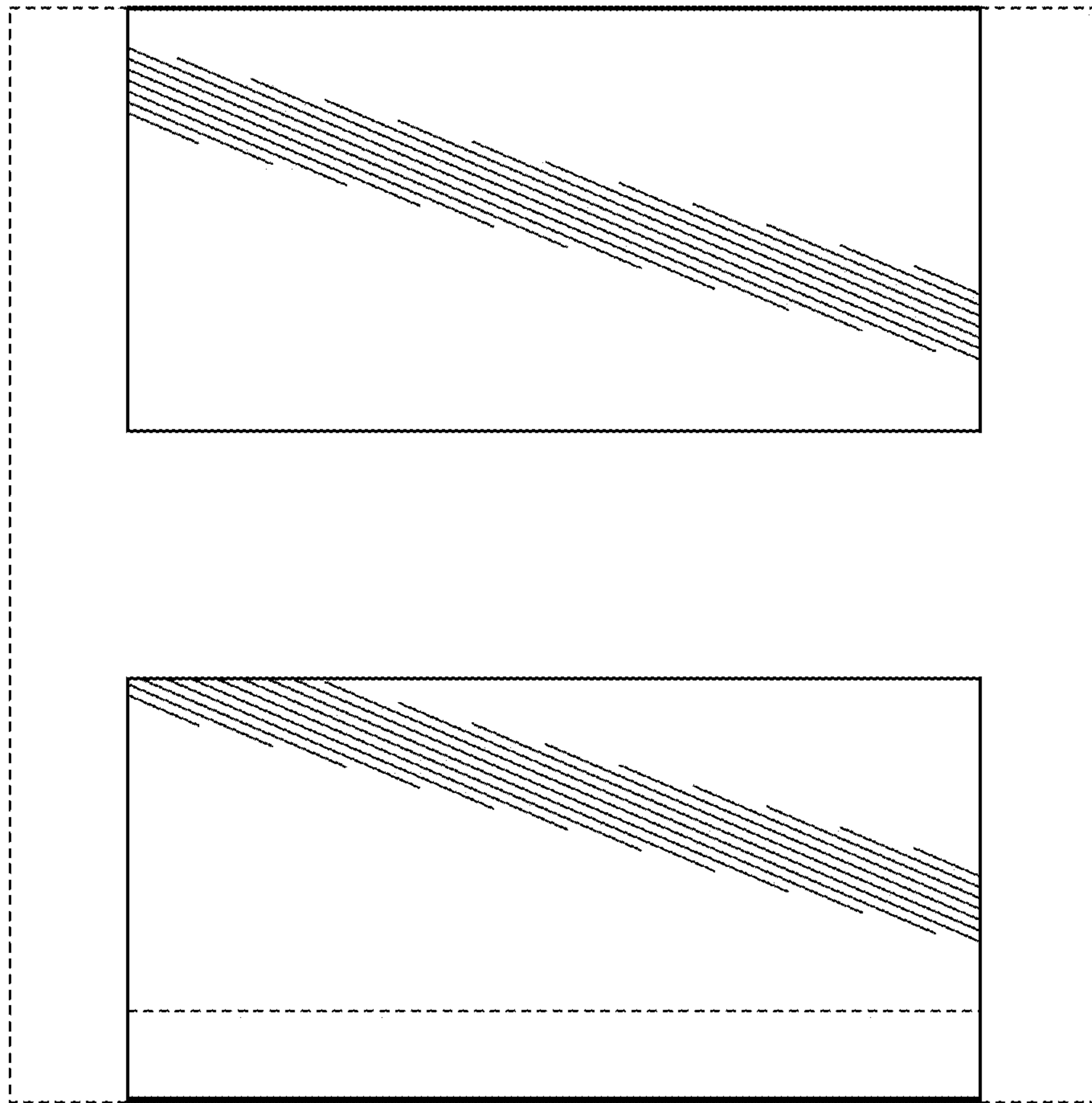


FIG. 5

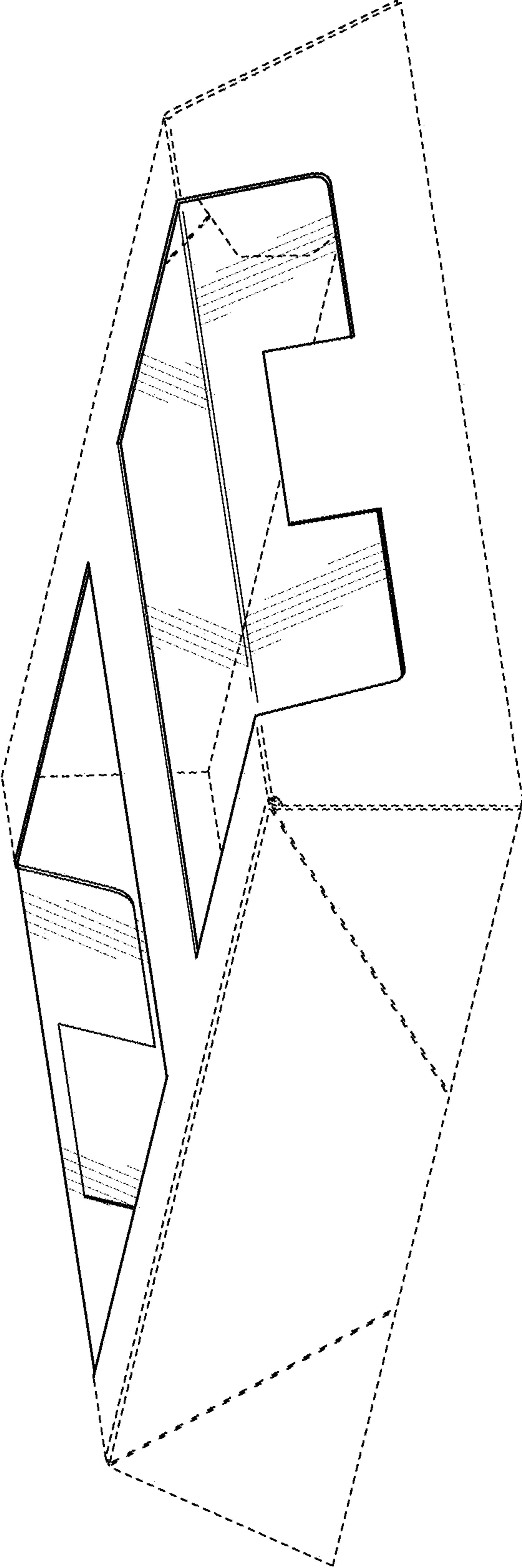


FIG. 6

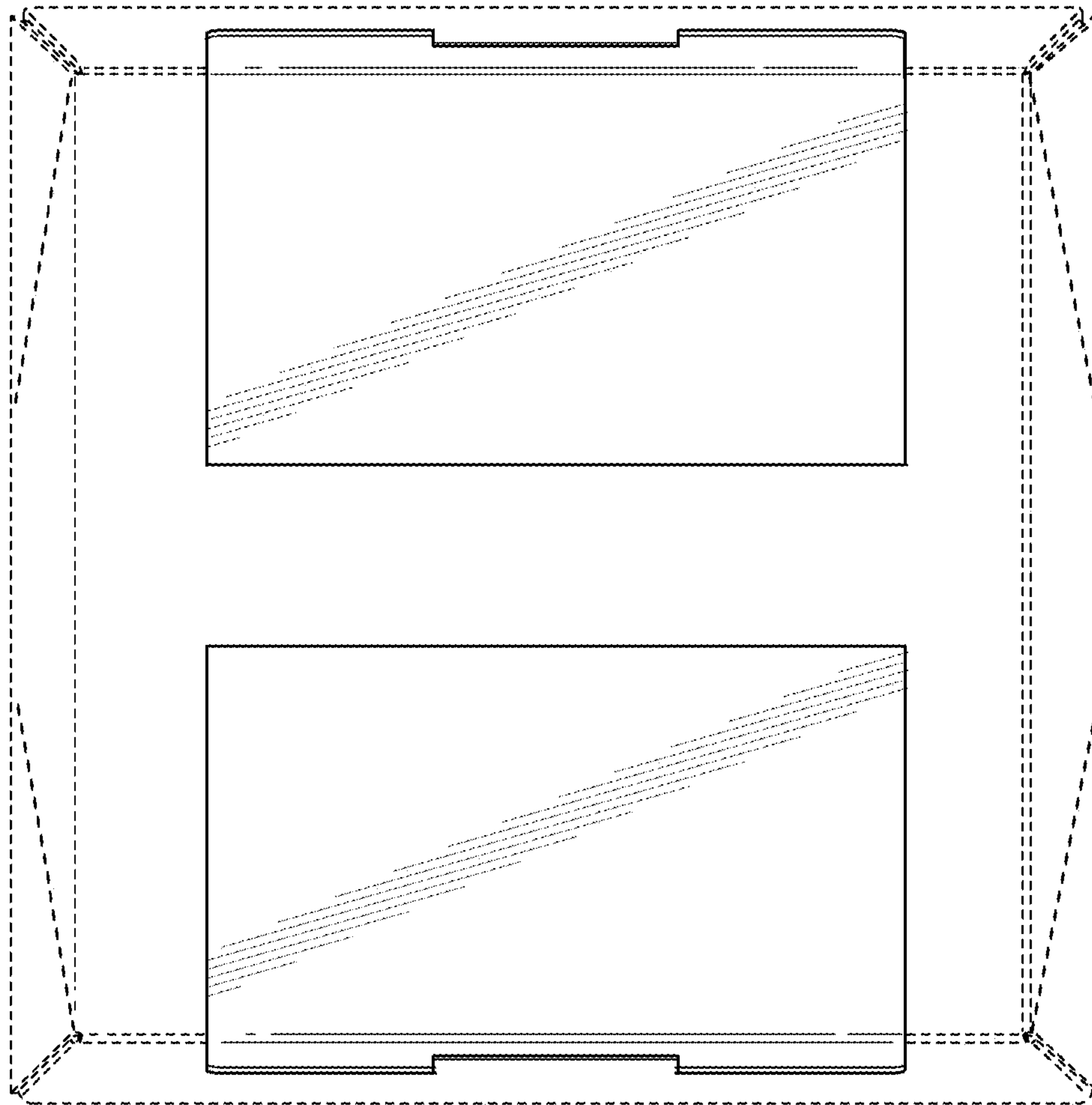


FIG. 7

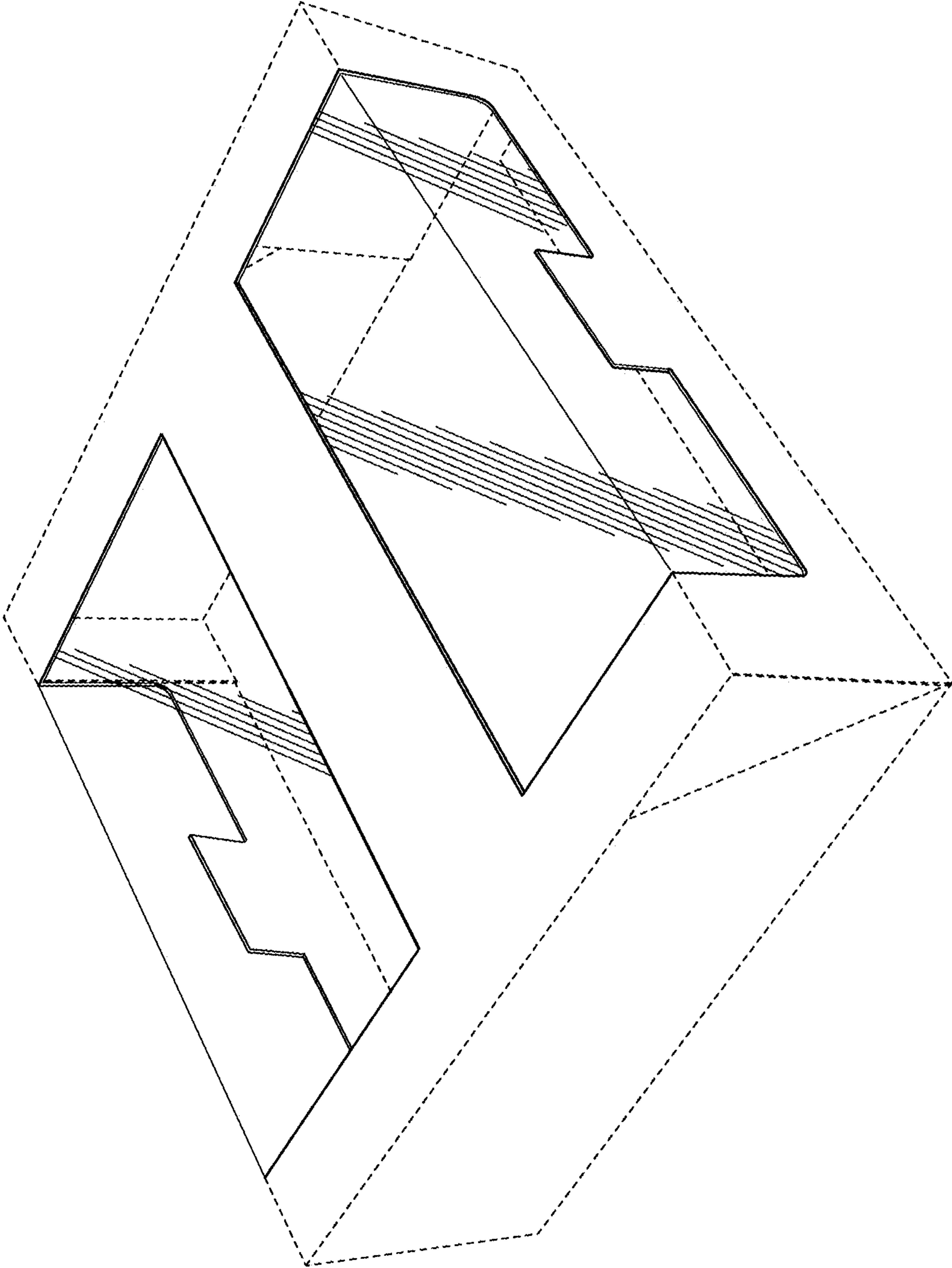


FIG. 8

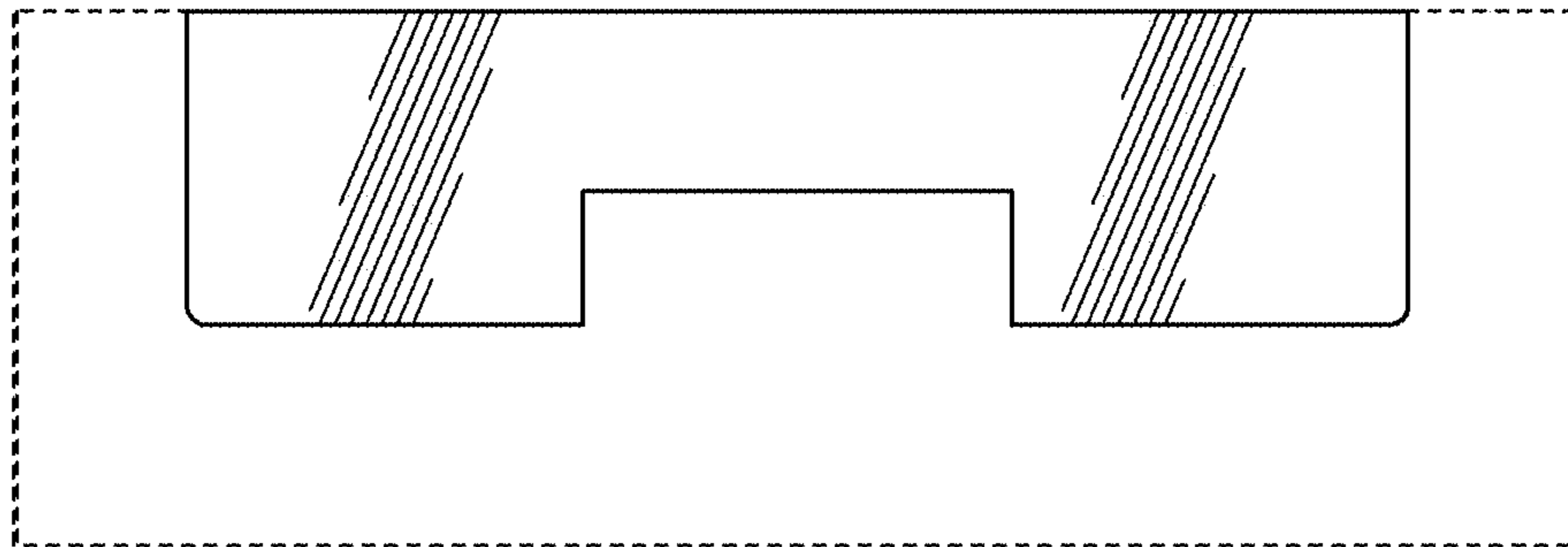


FIG. 9

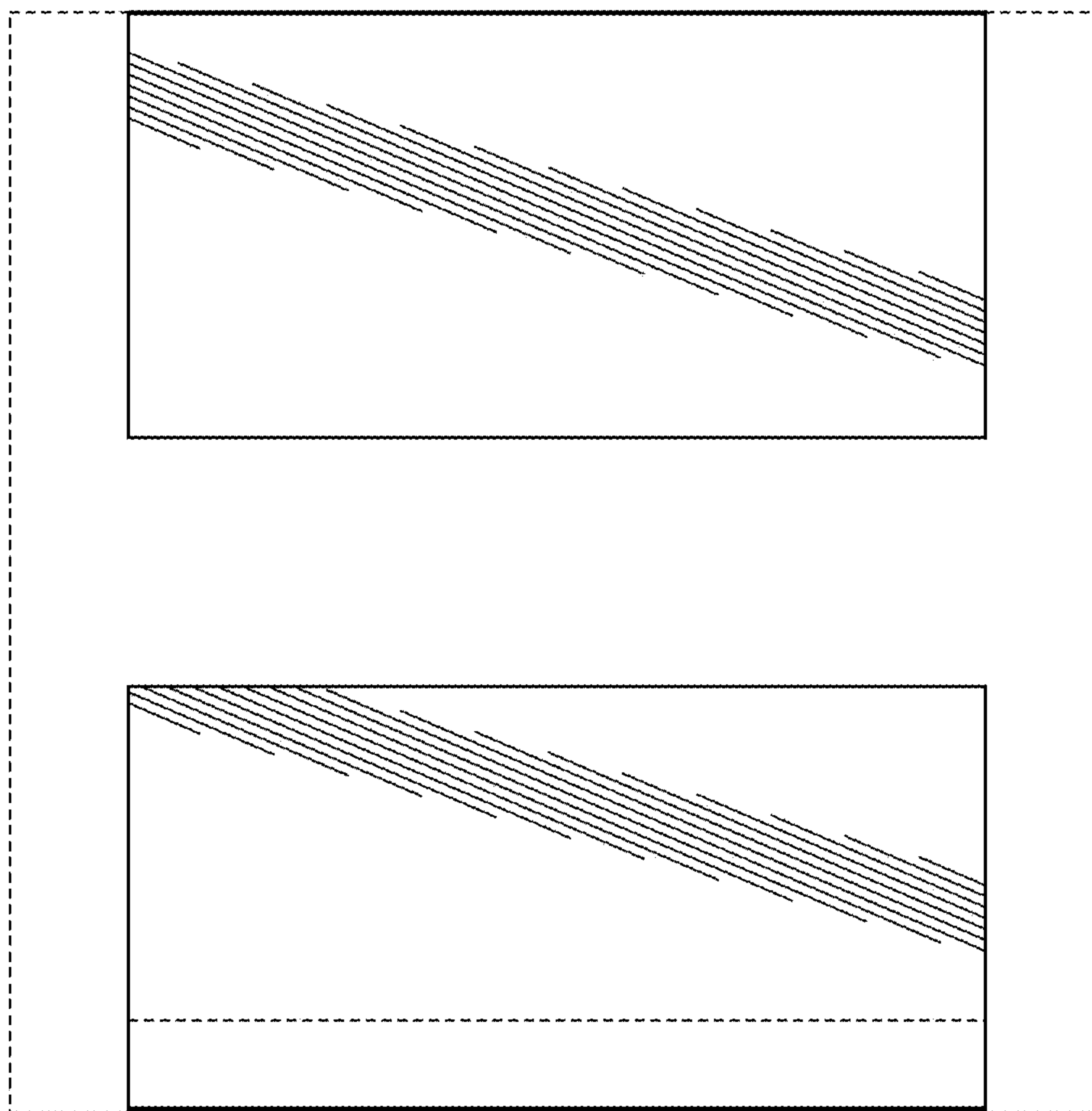


FIG. 10