



US00D982430S

(12) **United States Design Patent**
McElveen, II et al.

(10) **Patent No.:** **US D982,430 S**

(45) **Date of Patent:** **** Apr. 4, 2023**

- (54) **CONDUIT STRAP PART**
- (71) Applicant: **Halex/Scott Fetzer Company**,
Harrison, OH (US)
- (72) Inventors: **David Vaughn McElveen, II**,
Cincinnati, OH (US); **Daniel Felipe Restrepo**,
Cincinnati, OH (US); **Kyle James Roepken**,
Centerville, OH (US)
- (73) Assignee: **Halex/Scott Fetzer Company**,
Harrison, OH (US)
- (**) Term: **15 Years**
- (21) Appl. No.: **29/825,676**
- (22) Filed: **Feb. 3, 2022**

3,016,220	A *	1/1962	Rose	F16L 3/13
					D25/68
3,185,420	A *	5/1965	Stewart	F16L 3/04
					248/74.5
3,232,569	A	2/1966	Deardorf		
3,243,151	A	3/1966	Varney		
3,430,905	A	3/1969	Pepe		
3,802,655	A	4/1974	Schuplin		
4,141,107	A	2/1979	Sheiman		
4,370,082	A	1/1983	Sundberg		
4,373,235	A *	2/1983	Korgaonkar	F16L 23/04
					24/282
5,669,589	A	9/1997	Janssen		
5,897,082	A	4/1999	Losada		
6,010,100	A	1/2000	Merritt		
D438,093	S *	2/2001	Mandujano	D8/396
D491,442	S *	6/2004	Cordero	D8/354
7,559,512	B1	7/2009	Digirolamo		

(Continued)

Related U.S. Application Data

- (62) Division of application No. 29/712,116, filed on Nov. 5, 2019, now Pat. No. Des. 945,255.
- (51) **LOC (14) Cl.** **08-08**
- (52) **U.S. Cl.**
USPC **D8/396**
- (58) **Field of Classification Search**
USPC D8/394-396; D3/215, 247; D20/22, 28;
D19/10; D23/262
CPC . A45F 5/02; A45F 5/021; A45F 5/004; A44C
3/001; A61B 46/23; B65D 63/1027; F16L
3/127; F16L 3/12
See application file for complete search history.

References Cited

U.S. PATENT DOCUMENTS

1,476,836	A	12/1923	Pleister
2,310,434	A	2/1943	Hyman
2,550,001	A	4/1951	Button
2,681,196	A	6/1954	Lind
2,961,211	A	11/1960	Frank

FOREIGN PATENT DOCUMENTS

NZ	424319-0001	*	5/2018
WO	2010082818		7/2010

Primary Examiner — John R Yeh

(74) *Attorney, Agent, or Firm* — Fitch, Even, Tabin & Flannery LLP

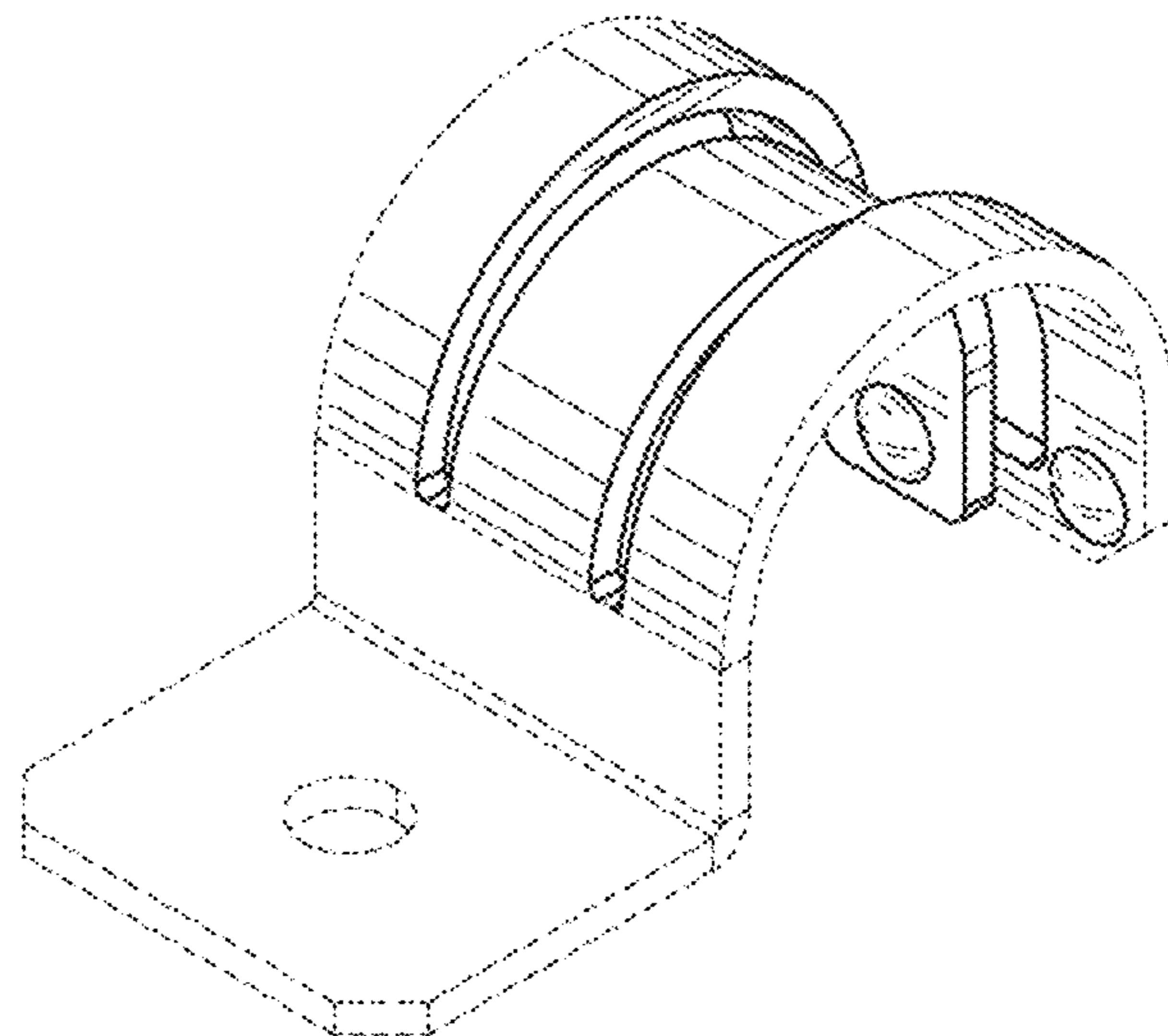
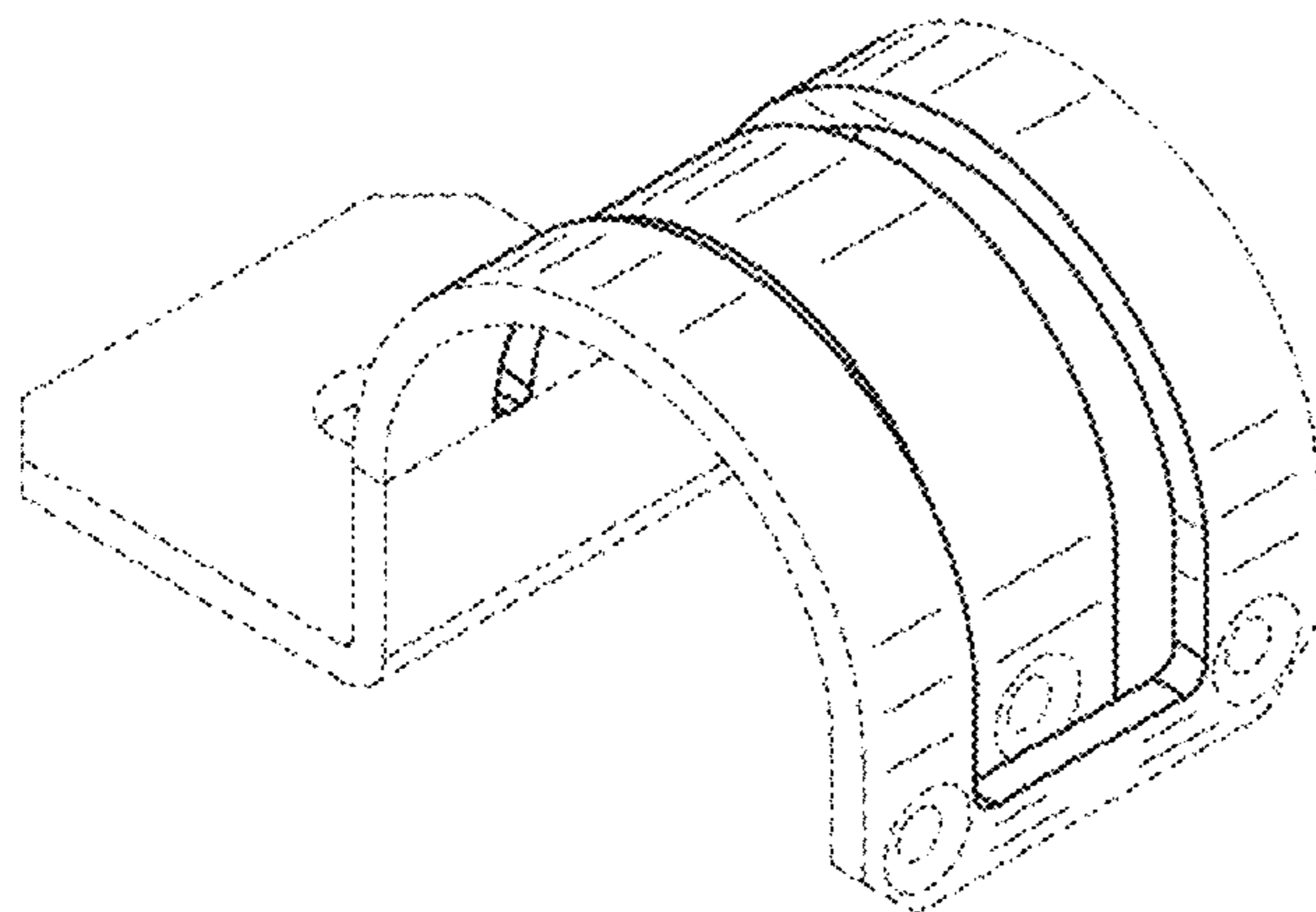
(57) **CLAIM**

We claim the ornamental design for a conduit strap part, as shown and described.

DESCRIPTION

FIG. 1 is a top front perspective view in accordance with our new design;
 FIG. 2 is a top rear perspective view thereof;
 FIG. 3 is a bottom rear perspective view thereof; and,
 FIG. 4 is a bottom front perspective view thereof.
 The portions shown in broken lines in the figures depict unclaimed environmental subject matter, are for illustrative purposes only, and form no part of the claimed design.

1 Claim, 2 Drawing Sheets



(56)

References Cited

U.S. PATENT DOCUMENTS

D616,967 S * 6/2010 Madara D23/262
7,770,851 B2 8/2010 Michaud
D644,613 S 9/2011 Kiely
8,033,512 B2 10/2011 Lien
8,413,933 B2 4/2013 Benne
8,882,059 B2 11/2014 Schmidt
D742,213 S 11/2015 Sasanecki
10,125,897 B2 11/2018 Schmidt
10,376,048 B2 * 8/2019 Kessell A47B 57/545
D866,310 S * 11/2019 Hikoyama D8/394
D945,255 S * 3/2022 McElveen, II D8/396
D945,873 S * 3/2022 MacDonald D8/395
2004/0206856 A1 10/2004 Cordero
2010/0260573 A1 10/2010 Gardner
2015/0108288 A1 * 4/2015 Lee F16B 12/54
248/68.1

* cited by examiner

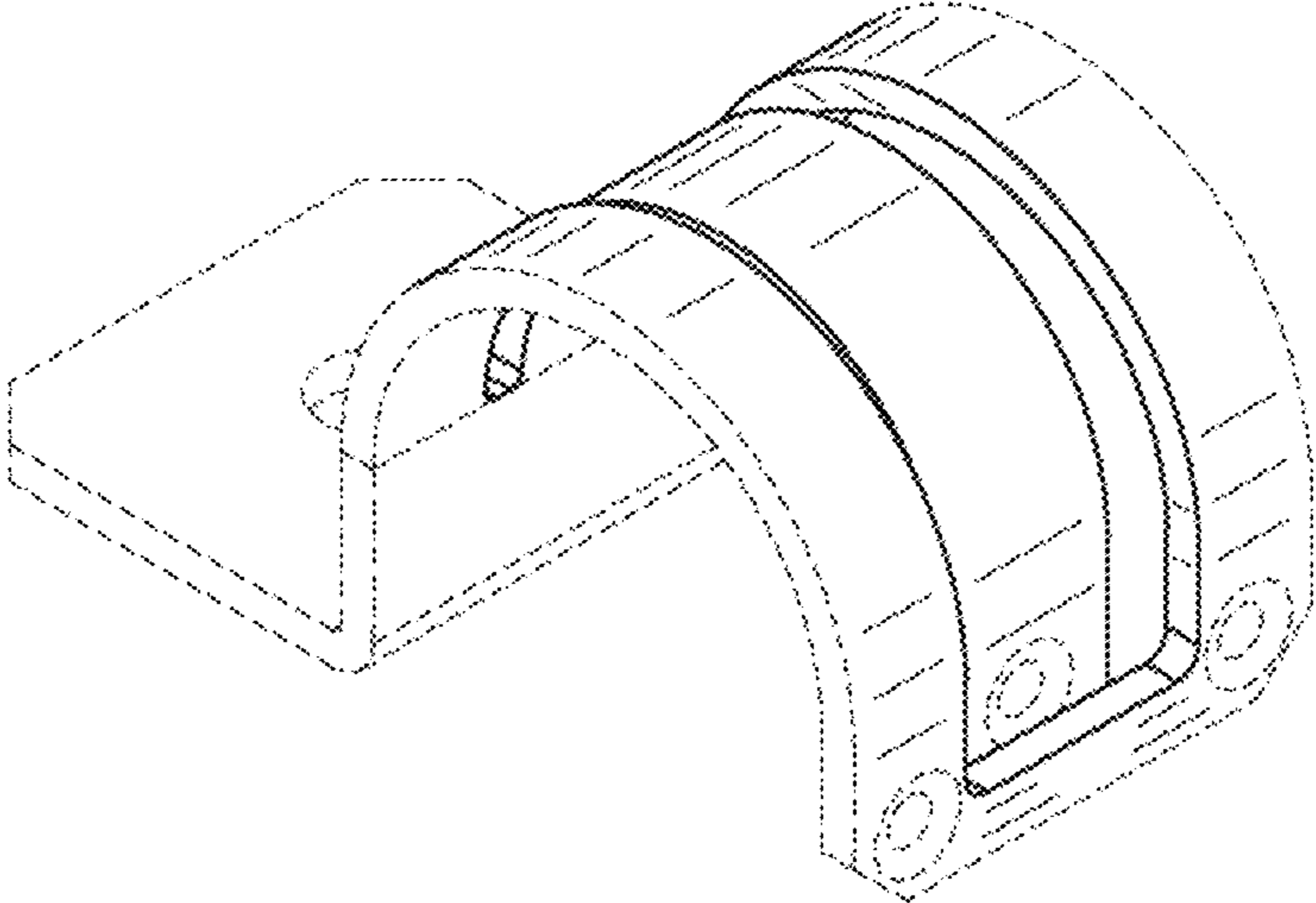


FIG. 1

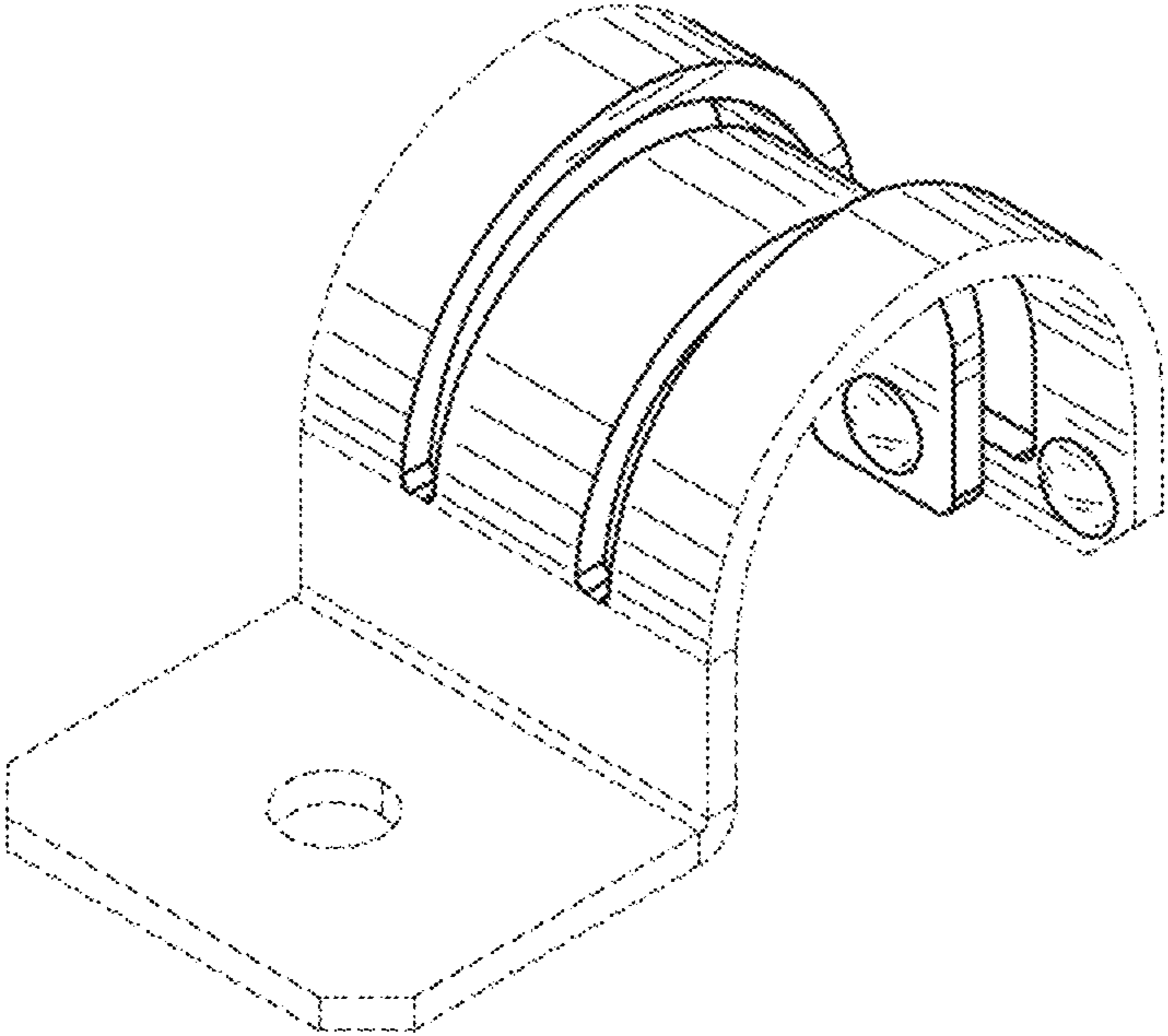


FIG. 2

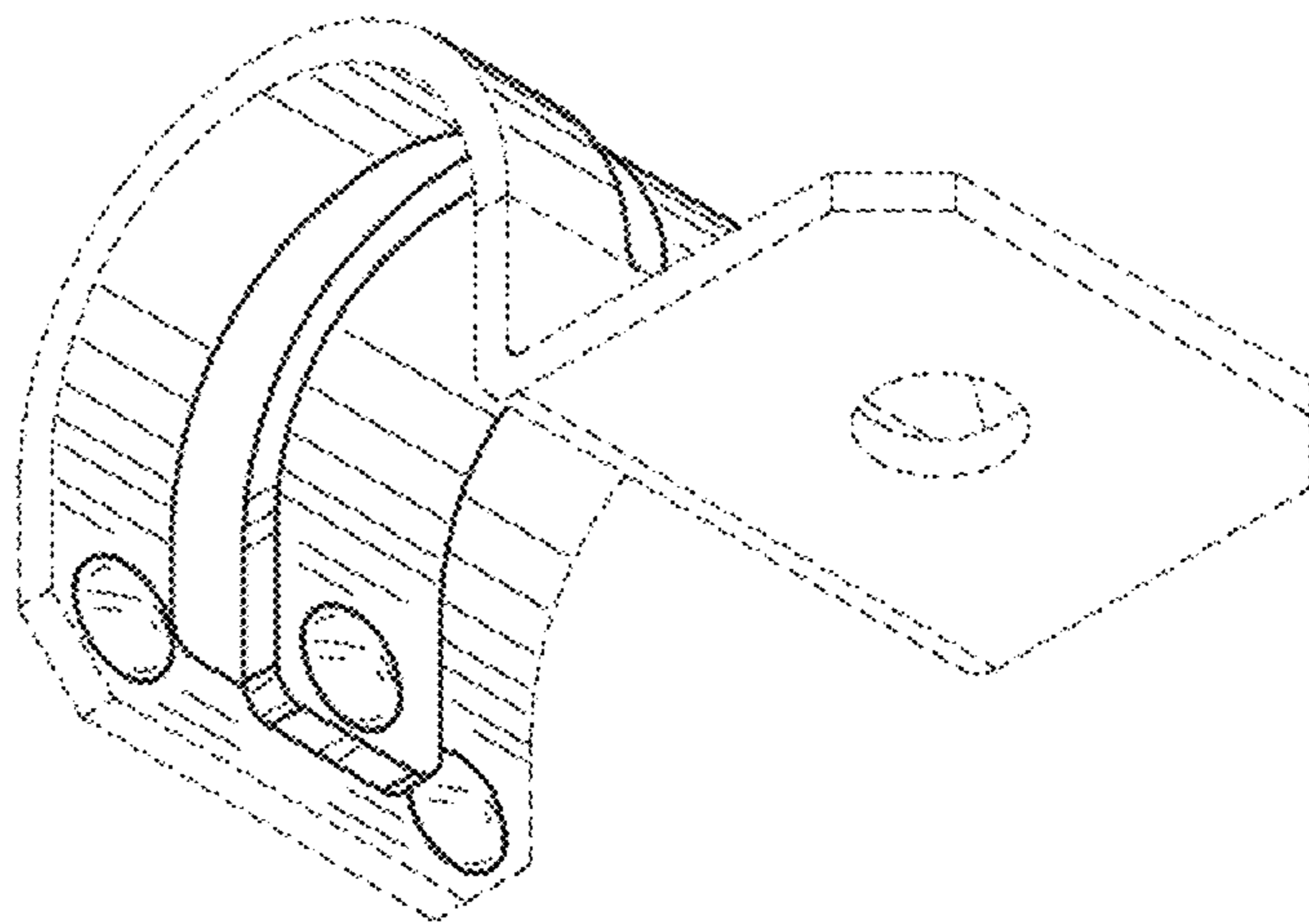


FIG. 3

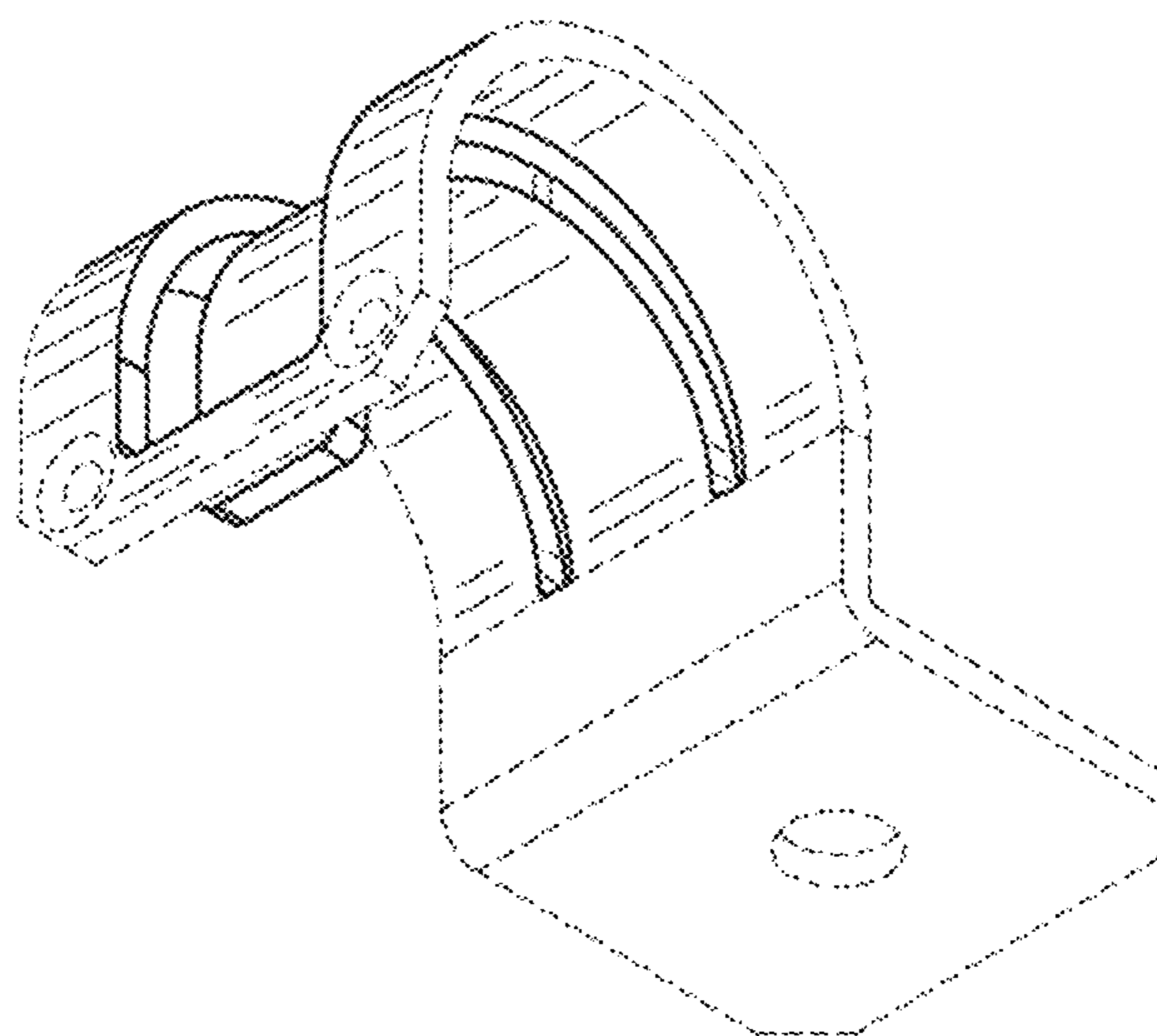


FIG. 4