



US00D982426S

(12) **United States Design Patent** (10) **Patent No.:** **US D982,426 S**
Brown et al. (45) **Date of Patent:** **** *Apr. 4, 2023**

(54) **SECURITY SCREW**

(71) Applicants: **Randall Brown**, Surrey (CA); **William Leroy Kellett**, Langley (CA)

(72) Inventors: **Randall Brown**, Surrey (CA); **William Leroy Kellett**, Langley (CA)

(*) Notice: This patent is subject to a terminal disclaimer.

(**) Term: **15 Years**

(21) Appl. No.: **29/824,747**

(22) Filed: **Jan. 27, 2022**

Related U.S. Application Data

(63) Continuation-in-part of application No. 29/722,451, filed on Jan. 30, 2020.

(51) **LOC (14) Cl.** **08-08**

(52) **U.S. Cl.**
USPC **D8/387**

(58) **Field of Classification Search**
USPC D8/384, 385, 388, 386, 387
CPC F16B 23/0007; F16B 23/0015; F16B 23/0023; F16B 23/003; F16B 23/0038; F16B 23/0046; F16B 23/0053; F16B 23/0061; F16B 23/0069; F16B 23/0076; F16B 19/00; F16B 19/02; F16B 25/001; F16B 25/0015; F16B 25/0021; F16B 25/0026; F16B 25/0031; F16B 25/0036; F16B 25/0042; F16B 33/00; F16B 33/006; F16B 33/008; F16B 33/02; F16B 35/002; F16B 35/005; F16B 35/007; F16B 35/02; F16B 35/04; F16B 35/041; F16B 35/042; F16B 35/044; F16B 35/045; F16B 35/047; F16B 35/048; F16B 35/06

See application file for complete search history.

(56) **References Cited**

U.S. PATENT DOCUMENTS

D243,317 S 2/1977 Fukuyama
D322,928 S * 1/1992 Snodell D8/391
5,199,839 A * 4/1993 DeHaitre F16B 25/0078
411/399
5,449,260 A * 9/1995 Whittle F16B 41/005
411/404
D375,452 S 11/1996 Housser
5,913,650 A * 6/1999 Daoud F16B 23/0038
411/910
D415,676 S * 10/1999 Negishi D8/387
(Continued)

FOREIGN PATENT DOCUMENTS

CN 3406399 * 11/2004
CN 300774741 * 5/2008
(Continued)

OTHER PUBLICATIONS

US Trademark Registration No. 6201869; Word Mark—Roby-Pin
Filing date: Oct. 3, 2019 Registration date: Nov. 17, 2020.
(Continued)

Primary Examiner — Sheryl Lane
Assistant Examiner — Ieisha N Price
(74) *Attorney, Agent, or Firm* — Legalforce RAPC
Worldwide

(57) **CLAIM**

The ornamental design for a security screw, as shown and described.

DESCRIPTION

FIG. 1 is a front, top, right side perspective view for a security screw, showing our new design;
FIG. 2 is a front, top perspective view thereof;

(Continued)

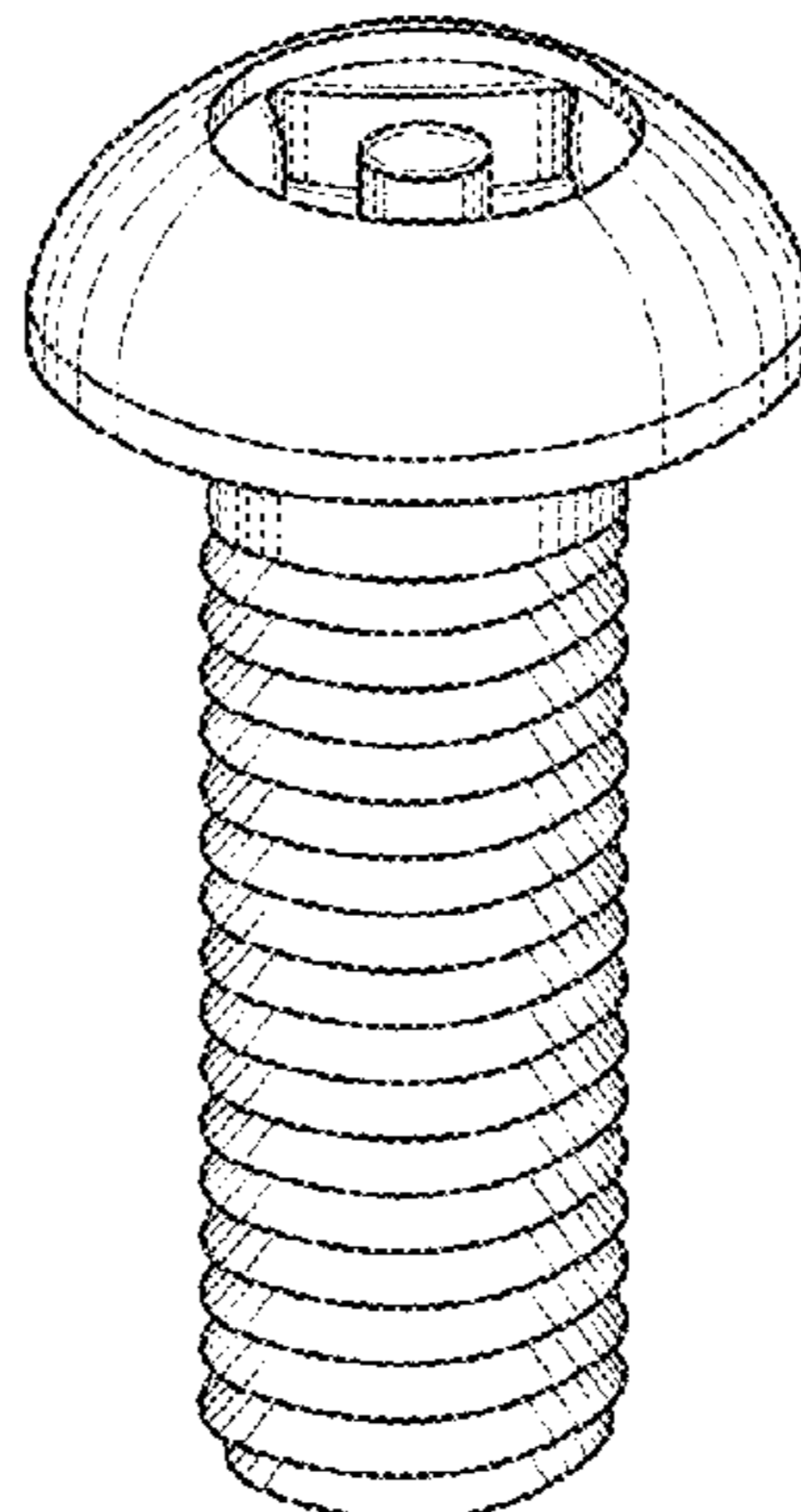


FIG. 3 is a rear, top perspective view thereof;
FIG. 4 is a front elevational view thereof; and,
FIG. 5 is a top plan view thereof.

1 Claim, 5 Drawing Sheets

(56)

References Cited

U.S. PATENT DOCUMENTS

D469,007	S *	1/2003	Chen	D8/387
D482,957	S	12/2003	Lajeunesse et al.		
D496,260	S	9/2004	Echazabal		
D506,922	S *	7/2005	Simon	D8/387
D516,656	S	3/2006	Hoffman et al.		
D517,404	S *	3/2006	Schluter	D8/387
D524,637	S *	7/2006	Schluter	D8/382
D531,491	S *	11/2006	Liu	D8/387
D565,943	S *	4/2008	Bulte	D8/388
D567,643	S *	4/2008	Campbell	D8/387
D568,731	S *	5/2008	Campbell	D8/387
D580,261	S *	11/2008	Bulte	D8/387
D592,044	S *	5/2009	Bulte	D8/387
D608,626	S	1/2010	Camisasca		
D640,918	S	7/2011	Totsu		
D677,146	S *	3/2013	Davis	D8/387
D723,910	S	3/2015	Totsu		
D779,930	S *	2/2017	Chen	D8/387
D847,622	S *	5/2019	Taylor	D8/387
D848,252	S *	5/2019	Taylor	D8/387
10,550,876	B2 *	2/2020	Slater	F16B 41/002
D906,099	S	12/2020	Winter		
2004/0052610	A1 *	3/2004	Kaupanger	F16B 23/0038 411/371.2
2005/0129486	A1	6/2005	Totsu		
2005/0204875	A1 *	9/2005	Schluter	B25B 13/485 81/436
2007/0043379	A1	2/2007	Sullivan et al.		
2010/0206139	A1 *	8/2010	Wang	B25B 13/56 81/177.2
2013/0030476	A1	1/2013	Shimko et al.		
2015/0257807	A1	9/2015	Strnad et al.		
2017/0234352	A1	8/2017	Nielson		
2018/0320727	A1 *	11/2018	Hsu	F16B 25/0052
2020/0109734	A1 *	4/2020	Slater	F16B 19/02

FOREIGN PATENT DOCUMENTS

CN	302151485	*	10/2012
CN	303560159	*	1/2016
CN	304061128	*	3/2017
CN	304459668	*	1/2018
CN	304902243	*	11/2018
CN	306399098	*	3/2021
CN	306775016	*	8/2021
CN	307080716	*	1/2022

OTHER PUBLICATIONS

US Trademark Registration No. 5268210; Word Mark—Loss Prevention Fasteners Filing date: Mar. 1, 2017 Registration date: Aug. 15, 2017.

US Trademark Registration No. 5286300; Word Mark—Ultra-Lok S7 Filing date: Mar. 15, 2017 Registration date: Sep. 12, 2017.

US Trademark Serial No. 88640679; Word Mark—Stopping Theft Every Day Filing date: Oct. 3, 2019 Publication date: Feb. 11, 2020. “Roby-Pin Security screws” by Loss Prevention Fasteners, Found Online on [Jan. 29, 2020] <https://www.losspreventionfasteners.com/wp-content/uploads/2020/11/Roby-Pin-Security-Screws.jpg>.

“Ultra 5 Lobe Pin Security Screws” by Loss Prevention Fasteners, Found Online on [Jan. 29, 2020] <https://www.losspreventionfasteners.com/wp-content/uploads/2020/11/10.100-Five-Lobe-Pin-HIGH-SECURE.jpg>.

“Self Tapping Security Socket Button Screws” by AccuScrews, Found Online on [Jan. 29, 2020] https://i.accu.co.uk/360/_APC/SSSBT-A2/0_14.png?profile=square&w=1200.

“Multi Pin-Hex Security Screw Button Head” by J. C. Gupta & Sons, Found Online on [Jan. 29, 2020] <https://5.imimg.com/data5/CB/RG/MY-2448527/hexagonal-socket-500x500.jpg>.

“Star Drive With Pin Security Pan Head Self Drilling Screws” by Albany County Fasteners, Found Online on [Jan. 29, 2020] <https://www.albanycountyfasteners.com/mm5/graphics/00000001/star-tamper-proof-pan-head-self-drillers-410-stainless-steel-1-resize-min.jpg>.

“Pentaforce Self Tapping Screws” by Newcastle Hi-tensile Bolt, Found Online on [Jan. 29, 2020] <https://nhtb.com.au/libraries/images/Category-Product/security-screws-pentaforce-self-tapping-screws.jpg>.

* cited by examiner

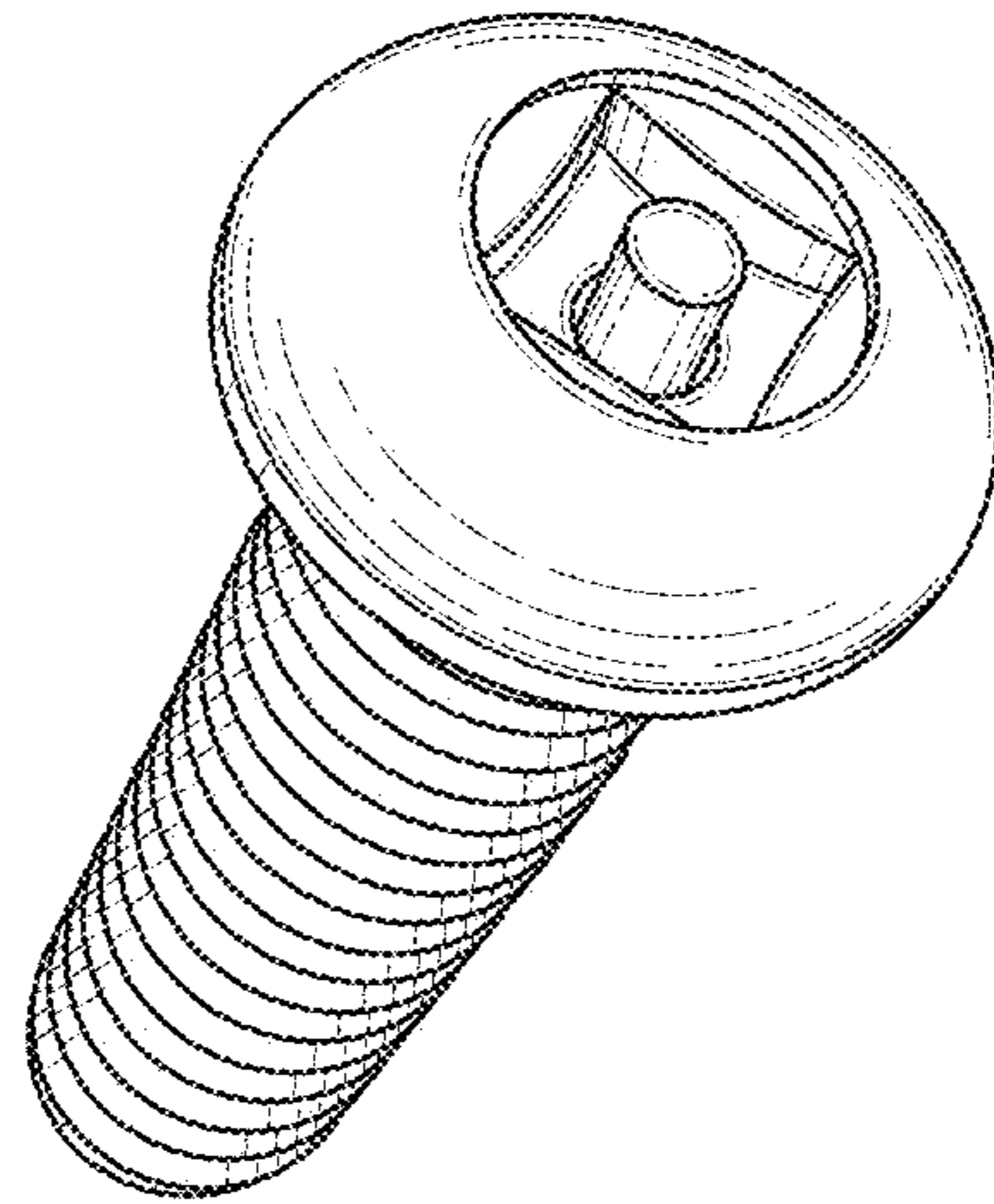


FIG. 1

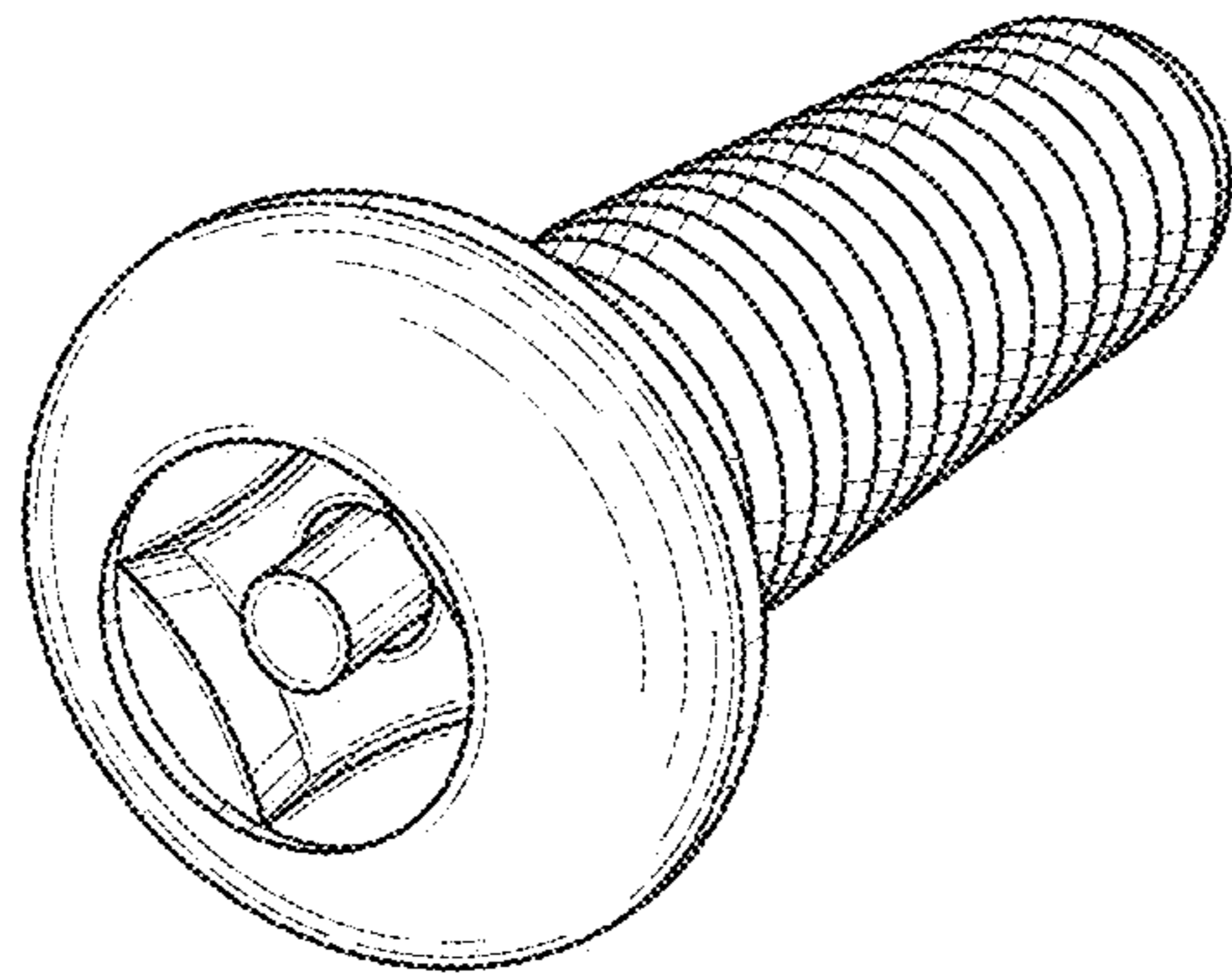


FIG. 2

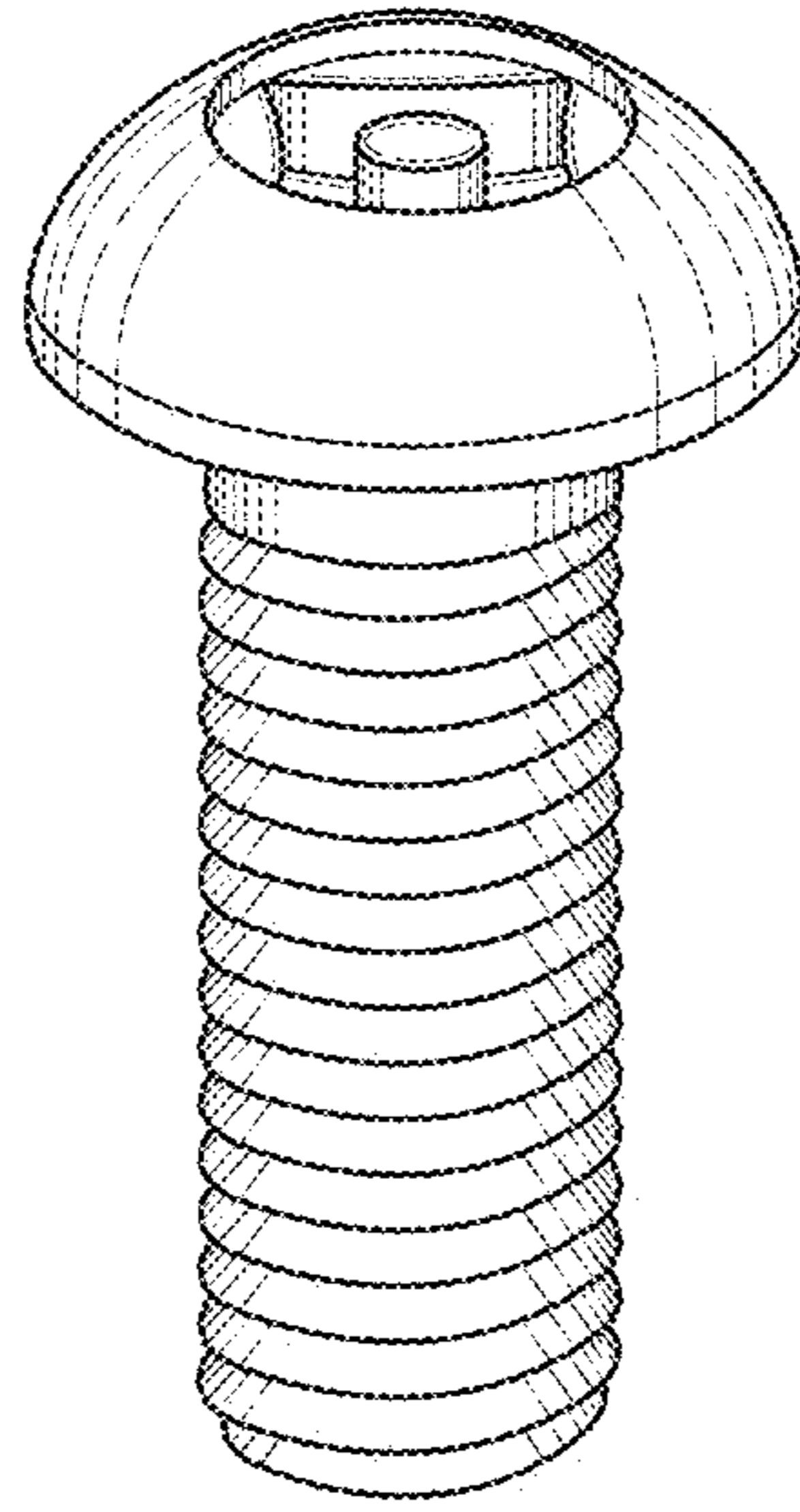


FIG. 3

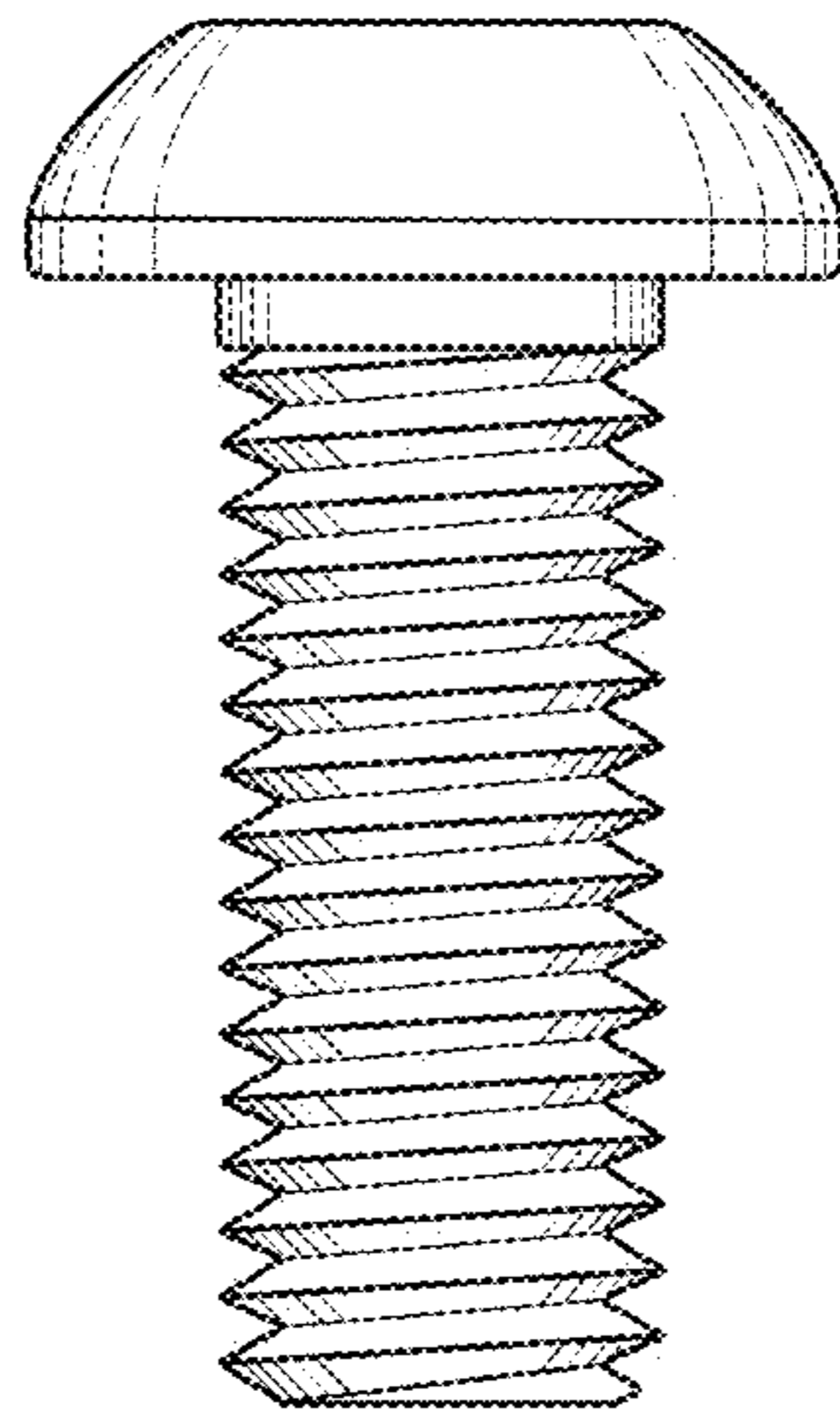


FIG. 4

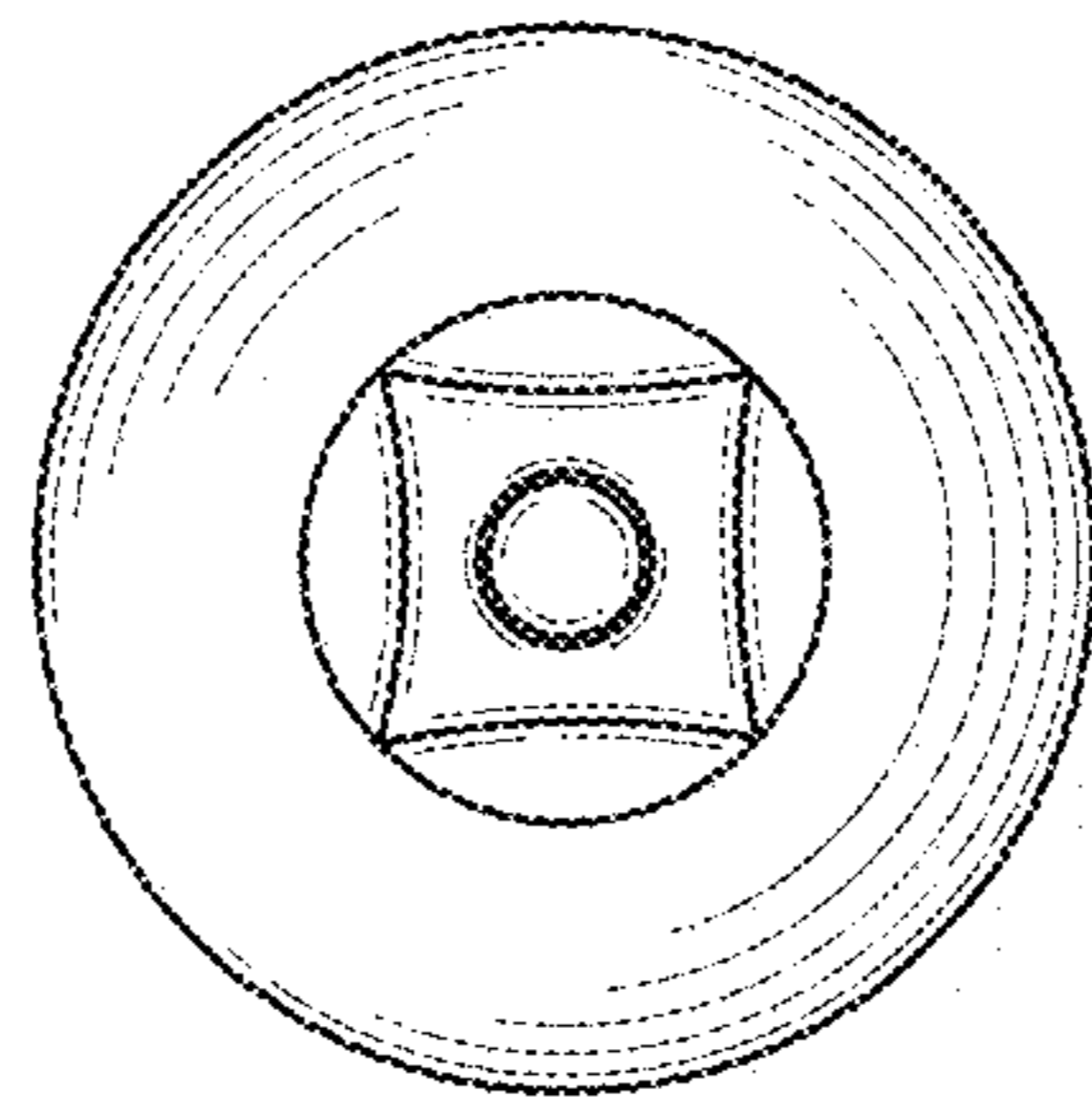


FIG. 5