



US00D982423S

(12) **United States Design Patent** (10) **Patent No.:** **US D982,423 S**  
**Wendt** (45) **Date of Patent:** **\*\* Apr. 4, 2023**

(54) **CONNECTOR**

(71) Applicant: **Roberto Redondo Wendt**, Coronado, CA (US)

(72) Inventor: **Roberto Redondo Wendt**, Coronado, CA (US)

(\*\*) Term: **15 Years**

(21) Appl. No.: **29/701,784**

(22) Filed: **Aug. 14, 2019**

(51) **LOC (14) Cl.** ..... **08-08**

(52) **U.S. Cl.**  
USPC ..... **D8/382; D8/394**

(58) **Field of Classification Search**  
USPC .... D8/394, 383, 382, 72, 73, 349, 356, 395, D8/396; D12/118; D13/133; D25/119  
CPC .. E04B 1/7076; E04B 1/7038; E04F 19/0481; E04F 19/04; E04F 2019/0445; G02B 5/00; H05K 5/0069; H05K 5/0086; H01R 13/6205; H01R 12/722; E02D 5/02; E02D 5/06; E02D 5/08; E02D 5/16  
See application file for complete search history.

(56) **References Cited**

**U.S. PATENT DOCUMENTS**

D242,138 S *	11/1976	Drawsky et al. ....	D25/119
D288,966 S *	3/1987	Gordon .....	D25/119
6,428,244 B1 *	8/2002	Wall .....	E02D 5/12
			405/277
D521,365 S *	5/2006	Wall .....	D8/382
D526,888 S *	8/2006	Heindl .....	D8/382
D530,190 S *	10/2006	Wall .....	D8/382
D532,291 S *	11/2006	Geers .....	D8/394
D541,642 S *	5/2007	Heindl .....	D8/382
D542,633 S *	5/2007	Heindl .....	D8/382
7,413,386 B2 *	8/2008	Heindl .....	E02D 5/08
			D8/382
7,527,456 B2 *	5/2009	Heindl .....	E02D 5/06
			D8/382

D610,901 S *	3/2010	Jones .....	D8/394
D618,991 S *	7/2010	Heindl .....	D8/382
D621,248 S *	8/2010	Heindl .....	D8/382
D626,826 S *	11/2010	Austro .....	D8/382
D626,827 S *	11/2010	Austro .....	D8/382
D626,828 S *	11/2010	Austro .....	D8/382
D630,770 S *	1/2011	Munoz Escribano .....	D25/48.1
D647,787 S *	11/2011	Duval .....	D8/394

(Continued)

**FOREIGN PATENT DOCUMENTS**

CN	1521958 A	8/2004
CN	1521960 A	8/2004

(Continued)

**OTHER PUBLICATIONS**

Clothes Hanger Connector Hooks , Google.com, [online], site visited Jan. 21, 2022, Available from internet URL: <https://www.amazon.com/Bhstore-Clothes-Connector-Cascading-Connection/dp/B07HNJWVNL?th=1> (Year: NA).\*

(Continued)

*Primary Examiner* — Leanne Was-Englehart  
(74) *Attorney, Agent, or Firm* — Terrazas PLLC; Kevin Terrazas

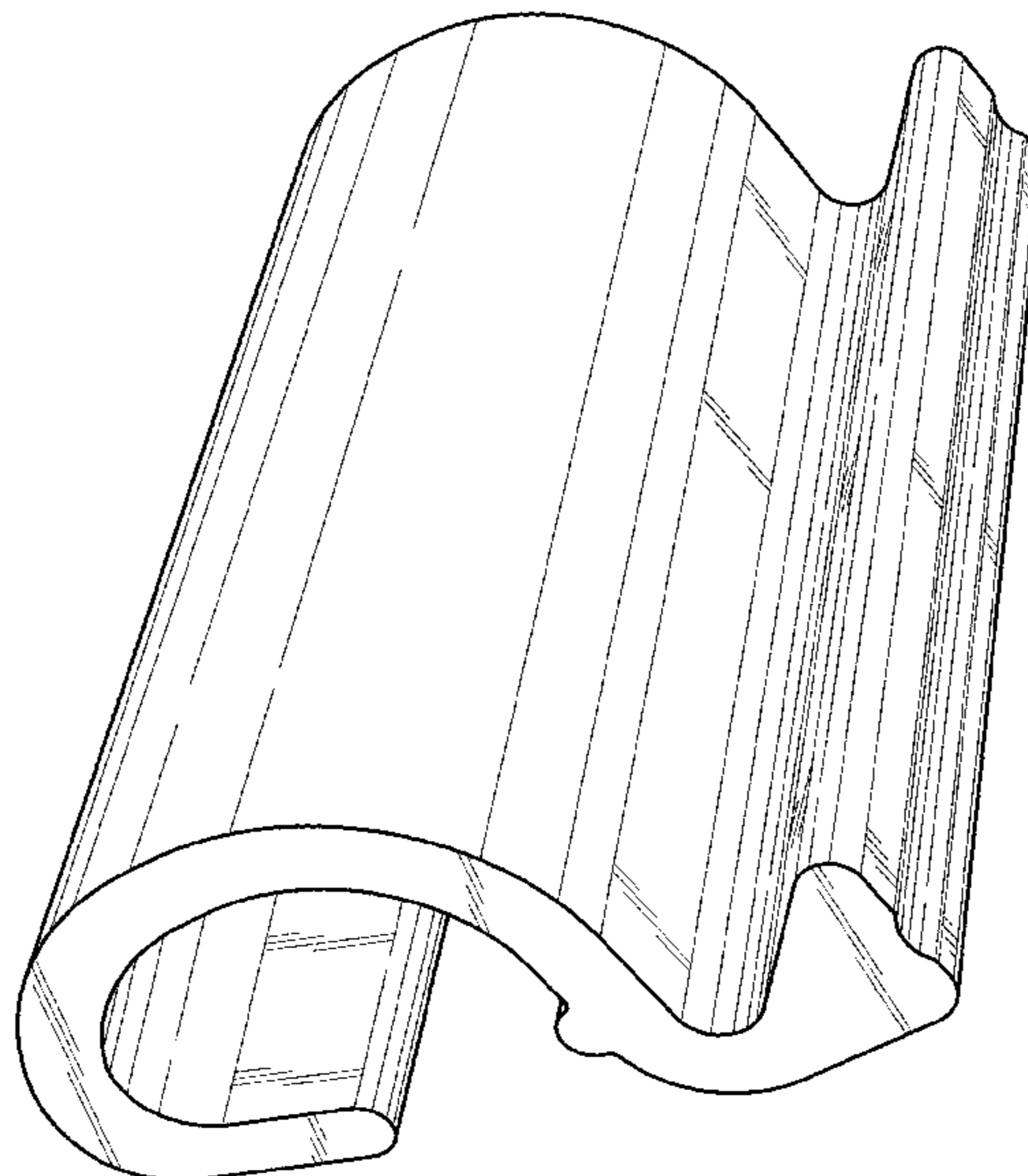
(57) **CLAIM**

The ornamental design for a connector, as shown and described.

**DESCRIPTION**

FIG. 1 is a top view of a connector;  
FIG. 2 is a bottom view thereof;  
FIG. 3 is a front view thereof;  
FIG. 4 is a back view thereof;  
FIG. 5 is a left view thereof;  
FIG. 6 is a right view thereof; and,  
FIG. 7 is a perspective view thereof.

**1 Claim, 5 Drawing Sheets**



(56)

References Cited

U.S. PATENT DOCUMENTS

D665,658	S	*	8/2012	Heindl	.....	D8/382
D665,660	S	*	8/2012	Heindl	.....	D8/382
D666,484	S	*	9/2012	Heindl	.....	D8/382
D681,424	S	*	5/2013	Heindl	.....	D8/382
D681,425	S	*	5/2013	Heindl	.....	D8/382
D681,426	S	*	5/2013	Heindl	.....	D8/382
D681,427	S	*	5/2013	Heindl	.....	D8/382
D706,125	S	*	6/2014	Wendt	.....	D8/382
D721,946	S	*	2/2015	Wendt	.....	D8/382
D721,947	S	*	2/2015	Wendt	.....	D8/382
D723,360	S	*	3/2015	McShane	.....	D8/382
D724,423	S	*	3/2015	McShane	.....	D8/382
D734,137	S	*	7/2015	McShane	.....	D8/382
D737,673	S	*	9/2015	McShane	.....	D8/382
D790,330	S	*	6/2017	Heindl	.....	D8/382
D801,794	S	*	11/2017	Heindl	.....	D8/382
D807,159	S	*	1/2018	Heindl	.....	D8/382
D811,865	S	*	3/2018	Heindl	.....	D8/382
D820,670	S	*	6/2018	Heindl	.....	D8/382
D832,091	S	*	10/2018	Heindl	.....	D8/382
D832,092	S	*	10/2018	Heindl	.....	D8/382
D836,427	S	*	12/2018	Heindl	.....	D8/382
D889,247	S	*	7/2020	Baltz, Jr.	.....	E04B 1/7076
						D25/199
D939,946	S	*	1/2022	Aucker	.....	D8/394
D941,546	S	*	1/2022	Tung	.....	D34/4
2008/0310924	A1	*	12/2008	Heindl	.....	E02D 5/08
						405/279
2012/0177445	A1	*	7/2012	Wendt	.....	E02D 5/285
						405/231
2014/0003870	A1	*	1/2014	Wendt	.....	E02D 5/06
						405/285
2017/0218589	A1	*	8/2017	Wendt	.....	E02D 5/28
2018/0002883	A1	*	1/2018	McShane	.....	E02D 5/16
2021/0210885	A1	*	7/2021	Dai	.....	H01R 13/6471

2021/0226352	A1	*	7/2021	Jushchyshyn	.....	H01R 4/5091
2021/0226368	A1	*	7/2021	Hung	.....	H01R 12/72
2021/0278036	A1	*	9/2021	Anderson	.....	F16B 7/0473
2021/0399454	A1	*	12/2021	Liu	.....	H01R 13/187
2021/0408704	A1	*	12/2021	Li	.....	H01R 13/24
2022/0006216	A1	*	1/2022	Hsu	.....	H01R 13/24

FOREIGN PATENT DOCUMENTS

CN	200310124091	A	*	8/2004
CN	200410003665	A	*	8/2004
DE	202013010303	U	*	8/2004
DE	20 2013 010 303	U1		3/2015
EM	002346247-0001	A1		5/2016
EM	007689666-0001		*	5/2020
IN	289379-0001		*	11/2018

OTHER PUBLICATIONS

PCB Contact,CU/AG,R/A,Short , Google.com, [online], site visited Jan. 21, 2022, Available from internet URL: [https://www.te.com/usa-en/product-1-1744128-1.html?te\\_bu=Cor&te\\_type=srch&te\\_campaign=ggl\\_usa\\_cor-ggl-usa-srch-smbmktg-fy22-googlefeed\\_s%E2%80%A6](https://www.te.com/usa-en/product-1-1744128-1.html?te_bu=Cor&te_type=srch&te_campaign=ggl_usa_cor-ggl-usa-srch-smbmktg-fy22-googlefeed_s%E2%80%A6) (Year: NA).\*

Plastic S-Hook Chain Connector, Google.com, [online], site visited Jan. 21, 2022, Available from internet URL: <https://www.mrchain.com/plastic-chain/chain-accessories/s-hooks.html> (Year: NA).\*

Quantum Food Service S-HOOKP S-Hook Shelf Connector Green Epoxy, Google.com, [online], site visited Jan. 21, 2022, Available from internet URL: <https://www.acitydiscount.com/Quantum-Food-Service-S-Hook-Shelf-Connector-Green-Epoxy> (Year: NA).\*

Connectors \_ associatedpile.com <https://web.archive.org/web/20190713070514/http://www.associatedpile.com/globalnav/products/sheet-pile-connectors> Available Jul. 13, 2019 (Year: 2019).\*

\* cited by examiner

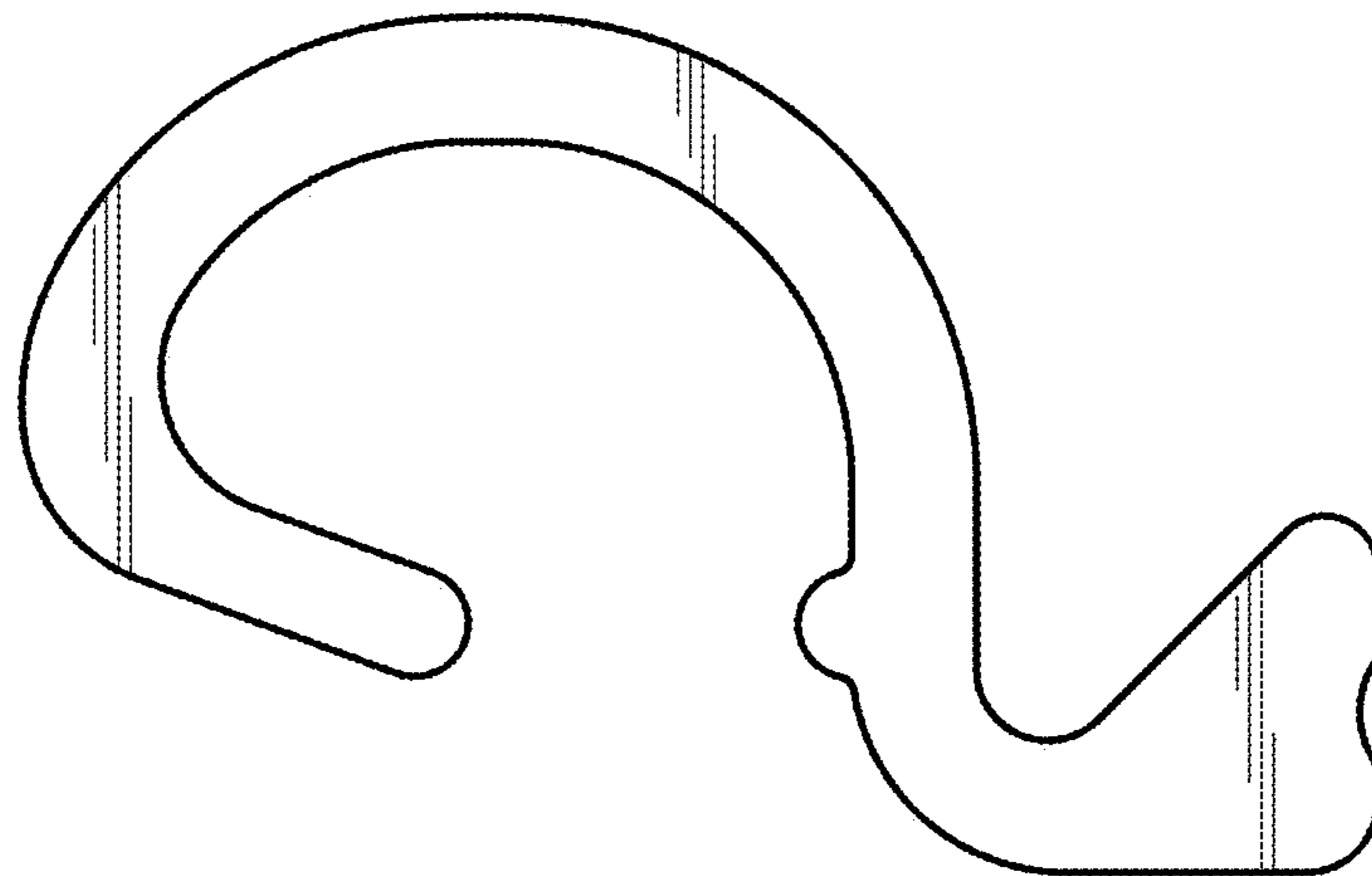


FIG. 1

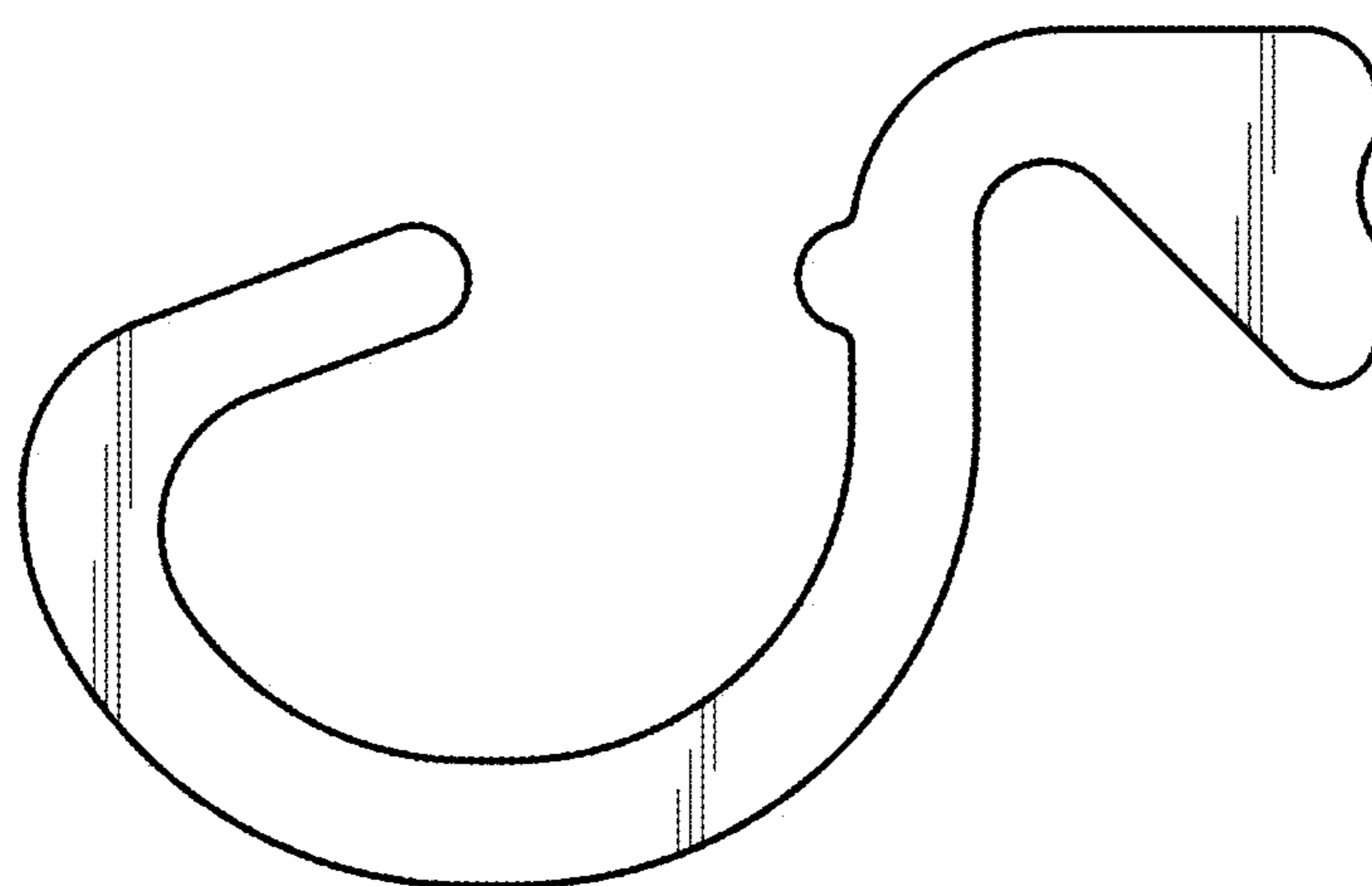


FIG. 2

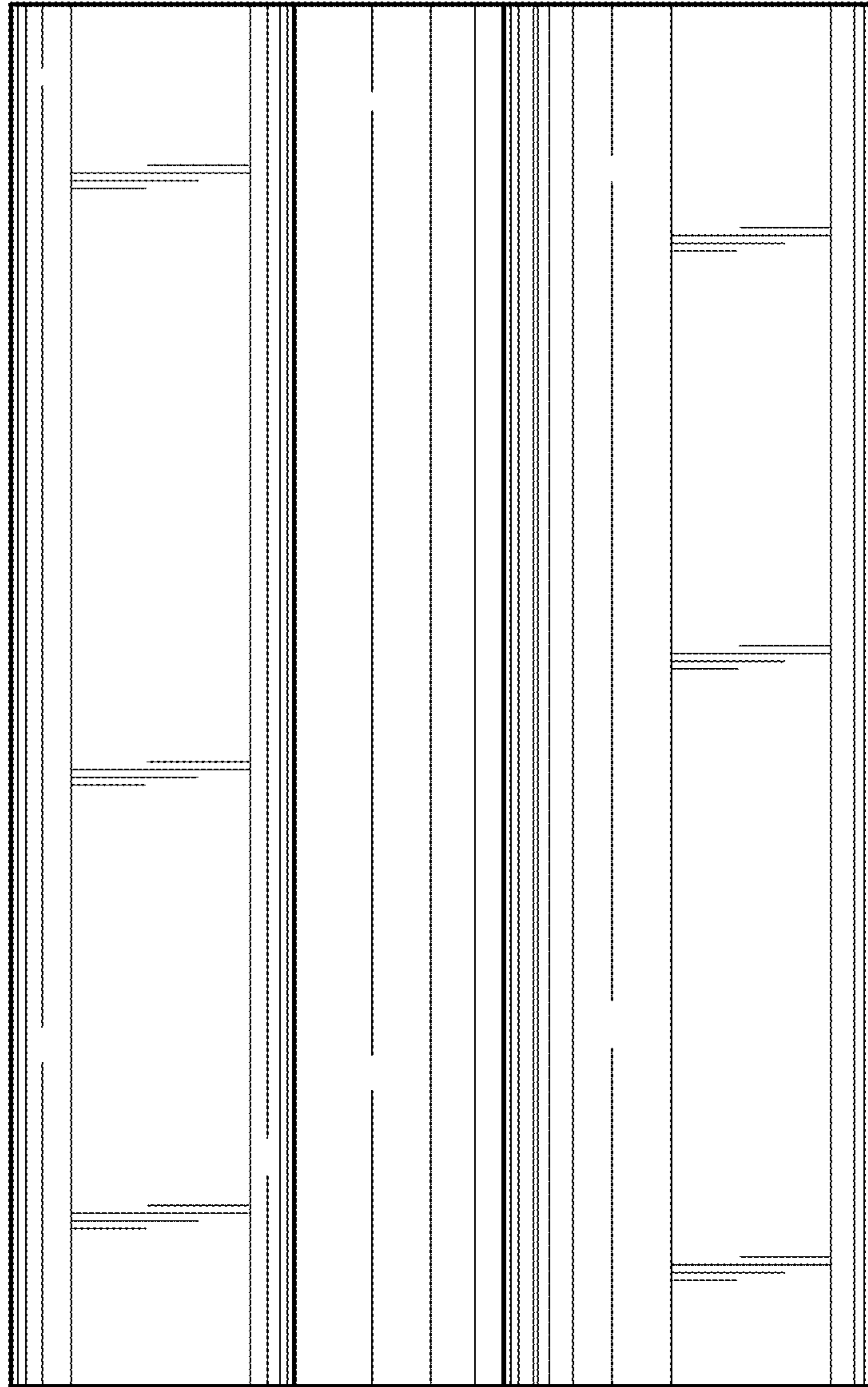


FIG. 3

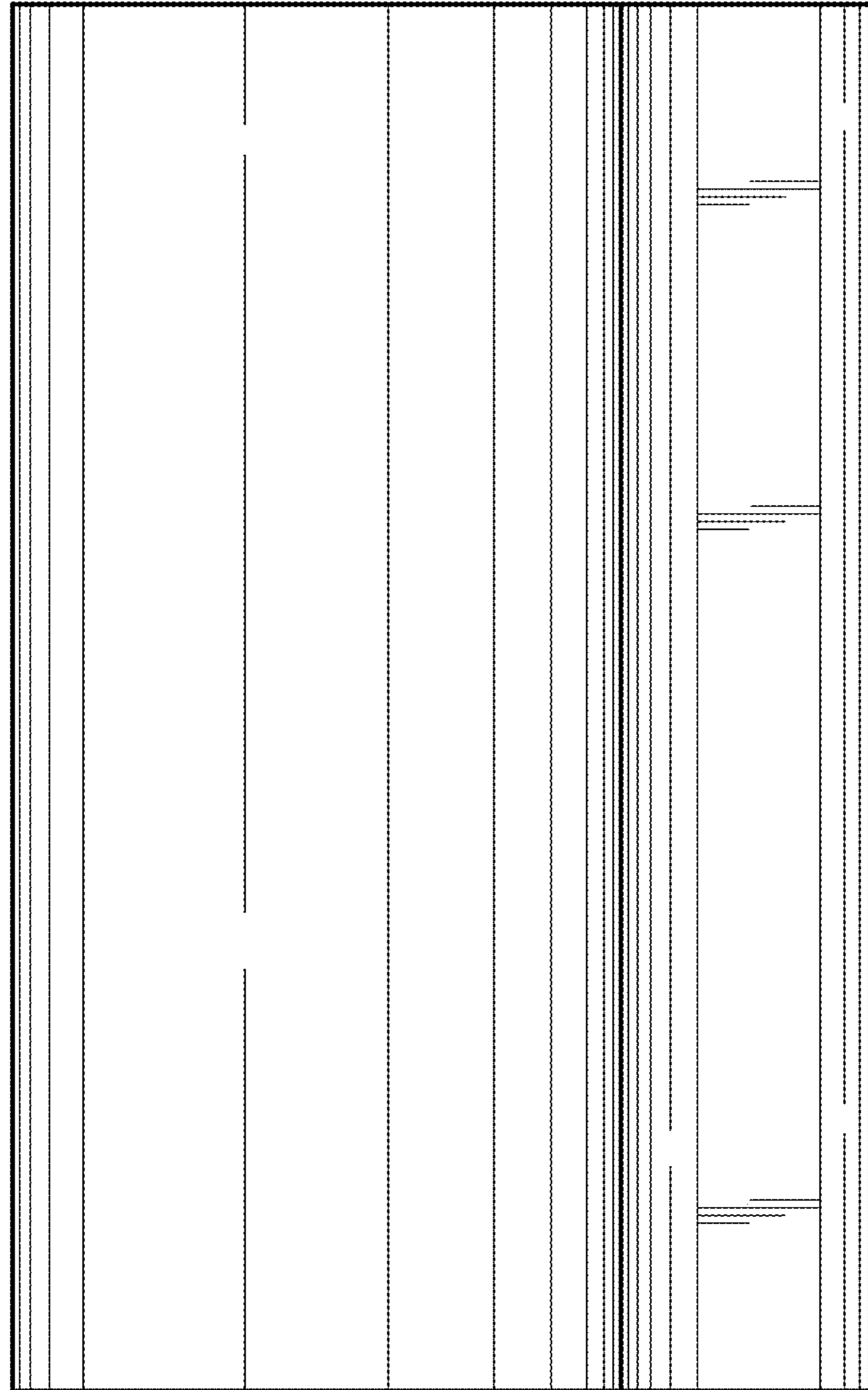


FIG. 4

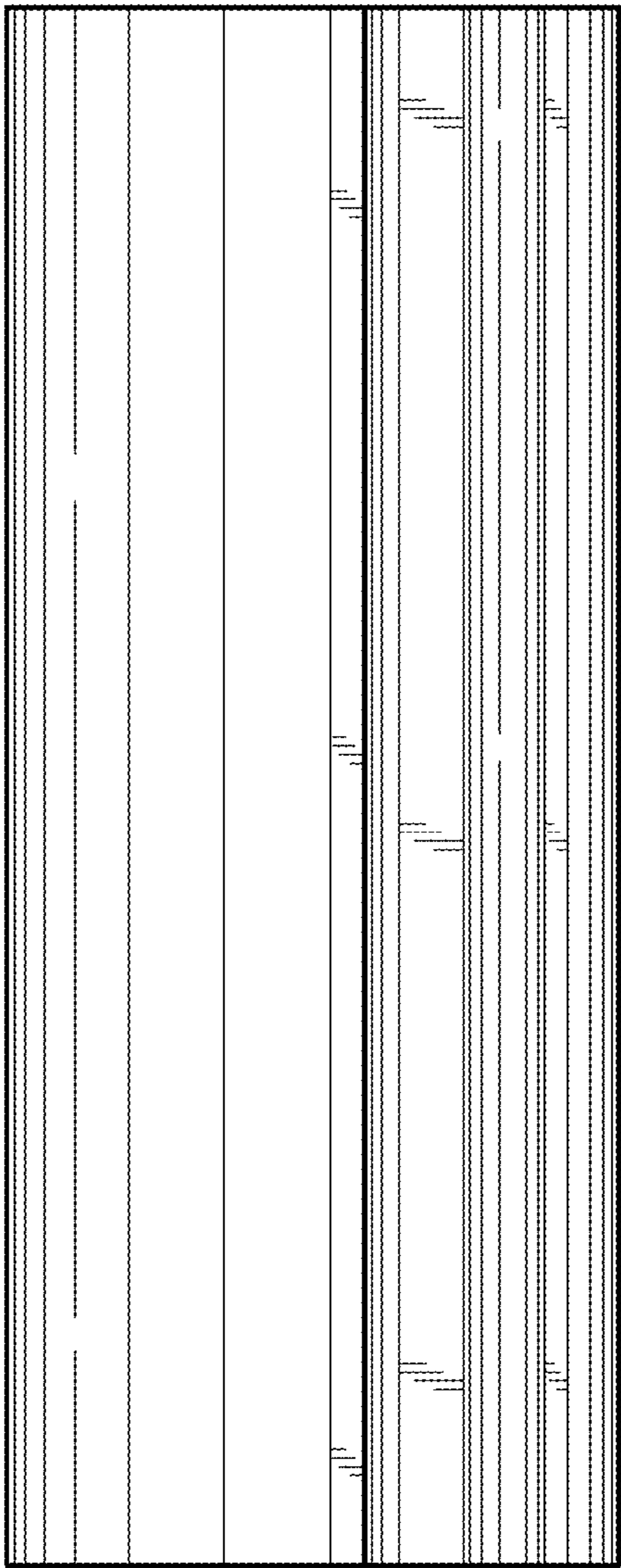


FIG. 5

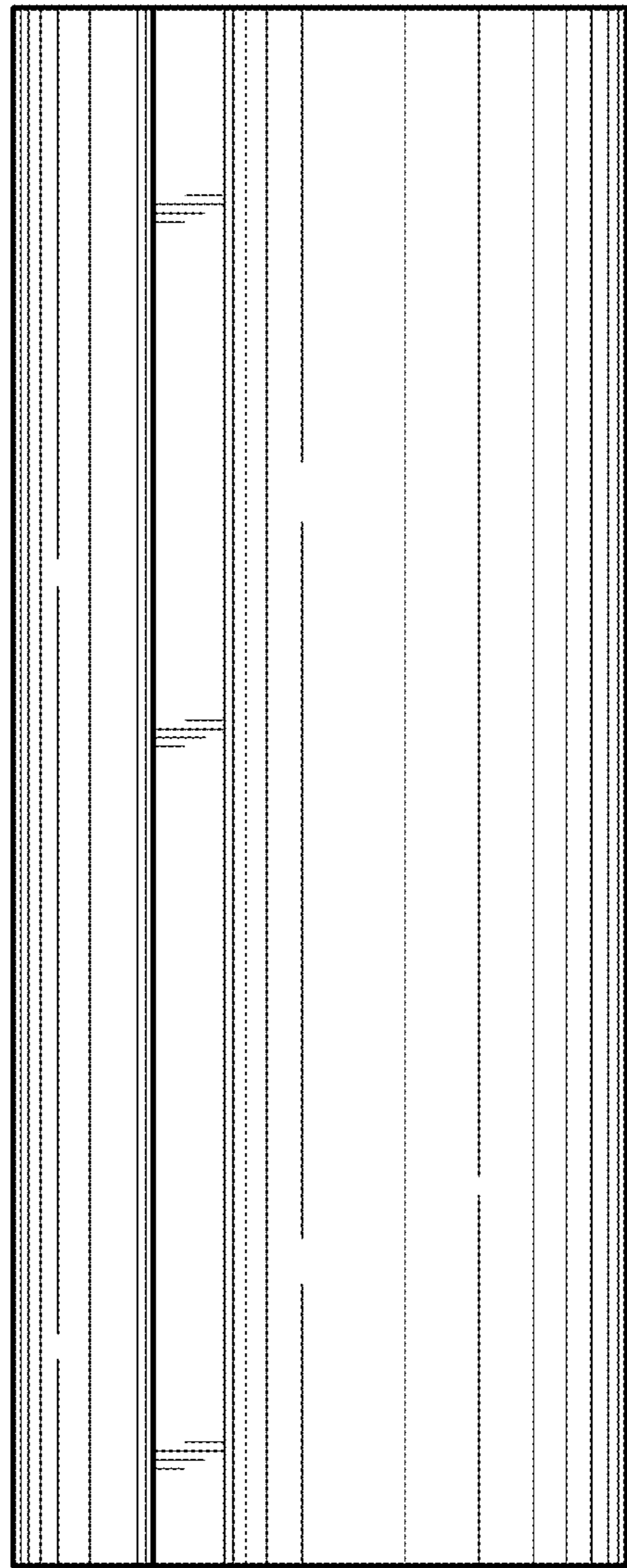


FIG. 6

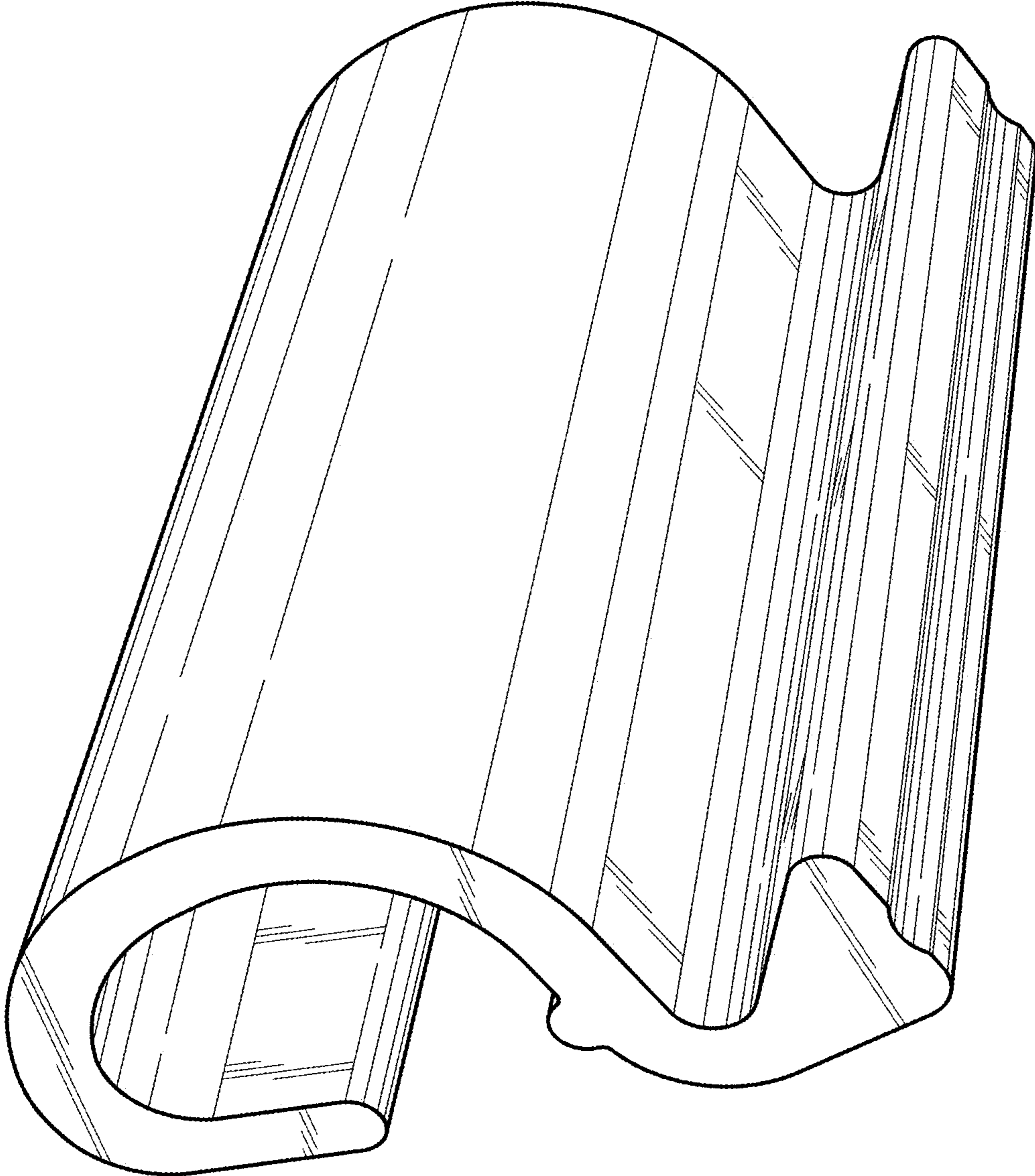


FIG. 7