



US00D982421S

(12) **United States Design Patent**  
**Chen**

(10) **Patent No.:** **US D982,421 S**

(45) **Date of Patent:** **\*\* Apr. 4, 2023**

(54) **MAGNET HOOK**

6,814,335 B2 \* 11/2004 Immerman ..... A47G 25/0614  
248/205.5

(71) Applicant: **Ningbo Zhenhai Keyda Magnet Co., Ltd.**, Ningbo (CN)

D531,487 S \* 11/2006 Dretzka ..... D8/367

D642,897 S \* 8/2011 Berkowitz ..... D8/367

D659,519 S \* 5/2012 Berkowitz ..... D8/367

D669,763 S \* 10/2012 Abels ..... D8/356

D737,125 S \* 8/2015 Callif ..... D8/372

D765,498 S 9/2016 Dankert

D915,167 S \* 4/2021 Valentini ..... D8/70

D917,266 S 4/2021 Winnie

(Continued)

(72) Inventor: **Mingmin Chen**, Ningbo (CN)

(73) Assignee: **Ningbo Zhenhai Keyda Magnet Co., Ltd.**, Ningbo (CN)

(\*\*) Term: **15 Years**

*Primary Examiner* — Cynthia R Underwood

(21) Appl. No.: **29/869,907**

(74) *Attorney, Agent, or Firm* — True Shepherd LLC;  
Andrew C. Cheng

(22) Filed: **Jan. 12, 2023**

(57) **CLAIM**

The ornamental design for magnet hook, as shown and described.

**Related U.S. Application Data**

**DESCRIPTION**

(62) Division of application No. 29/866,033, filed on Aug. 25, 2022.

(51) **LOC (14) Cl.** ..... **08-11**

(52) **U.S. Cl.**

USPC ..... **D8/367**

(58) **Field of Classification Search**

USPC ..... D8/367, 354, 349, 373, 356, 372;

D6/323; 248/301–304, 339, 205.5

CPC .. A47G 1/00; A47G 25/00; A47G 1/17; F16B

47/003

See application file for complete search history.

FIG. 1 is a perspective view of a magnet hook showing my new design according to a first embodiment;

FIG. 2 is another perspective view thereof;

FIG. 3 is a front view thereof;

FIG. 4 is a rear view thereof;

FIG. 5 is a left side view thereof;

FIG. 6 is a right side view thereof;

FIG. 7 is a bottom plan view thereof;

FIG. 8 is a top plan view thereof;

FIG. 9 is a perspective view of a magnet hook showing my new design according to a second embodiment;

FIG. 10 is another perspective view thereof;

FIG. 11 is a front view thereof;

FIG. 12 is a rear view thereof;

FIG. 13 is a left side view thereof;

FIG. 14 is a right side view thereof;

FIG. 15 is a bottom plan view thereof; and,

FIG. 16 is a top plan view thereof.

The broken lines depict portions of the magnet hook and form no part of the claimed design.

(56) **References Cited**

**U.S. PATENT DOCUMENTS**

D317,860 S \* 7/1991 Gary ..... D8/367

D346,950 S \* 5/1994 Dunn ..... D8/367

5,730,413 A \* 3/1998 Chen ..... A47G 25/0635

248/303

5,967,476 A \* 10/1999 Chen ..... A47G 1/20

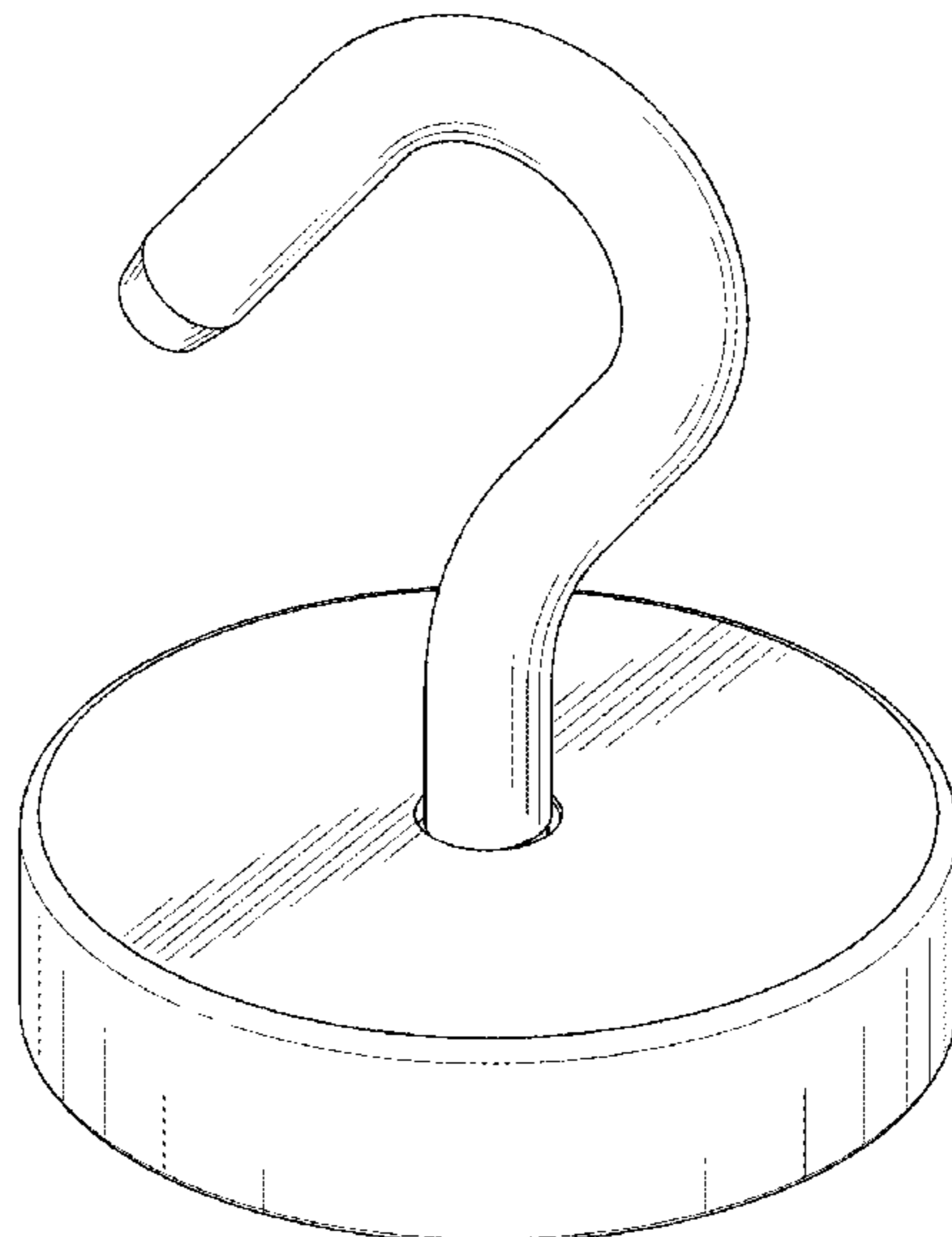
248/304

D482,952 S \* 12/2003 Steinman ..... D8/367

6,749,165 B2 \* 6/2004 Immerman ..... A47G 1/17

248/205.5

**1 Claim, 16 Drawing Sheets**



(56)

**References Cited**

U.S. PATENT DOCUMENTS

D918,023	S	*	5/2021	Underwood	.....	D8/373
11,015,641	B2	*	5/2021	Cardella	.....	E05B 15/102
D941,949	S	*	1/2022	Zheng	.....	D21/826
D945,866	S		3/2022	Luo		
D966,872	S	*	10/2022	Liu	.....	D8/367
D966,873	S	*	10/2022	Chen	.....	D8/367
D976,086	S	*	1/2023	Jiang	.....	D8/367

\* cited by examiner

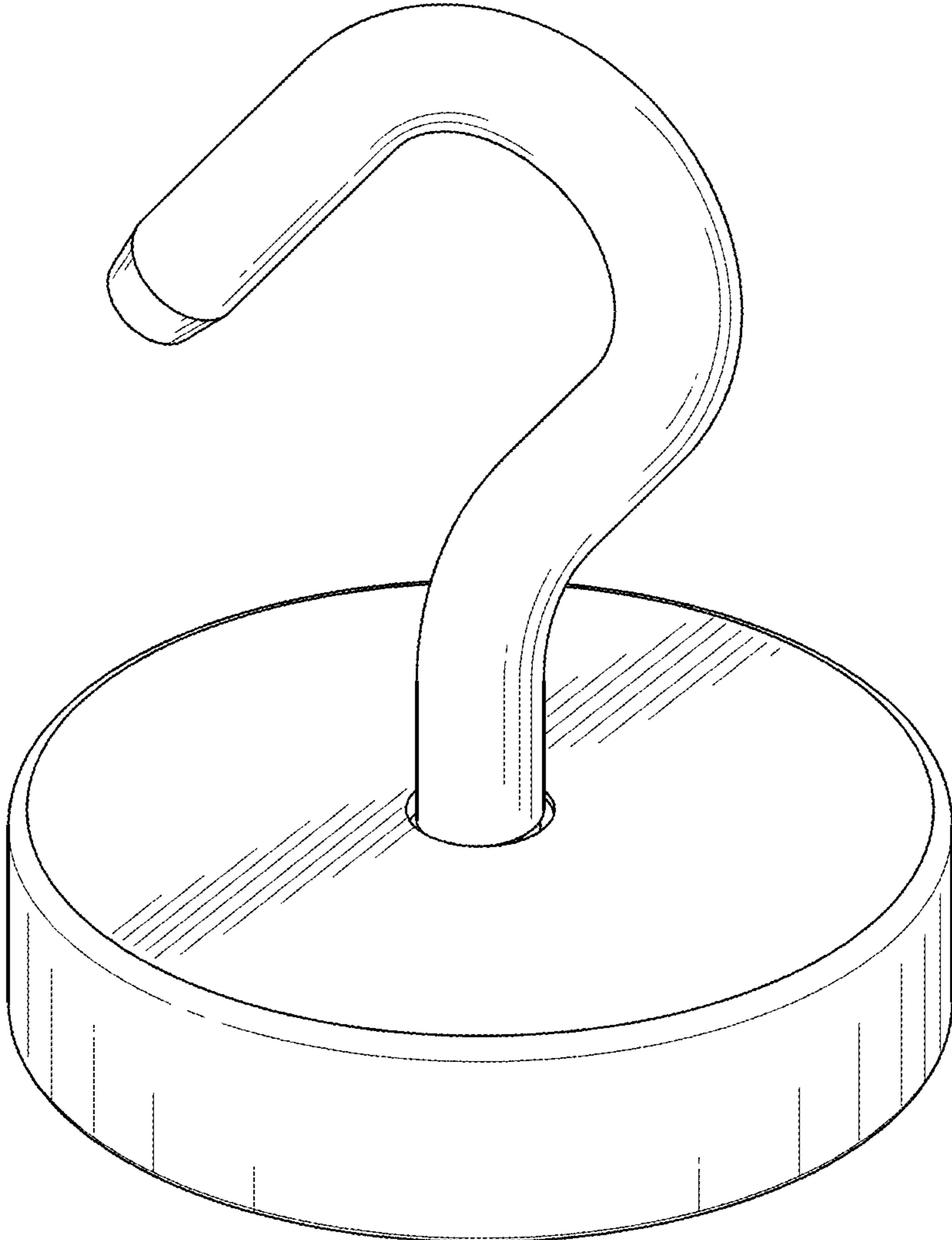


FIG. 1

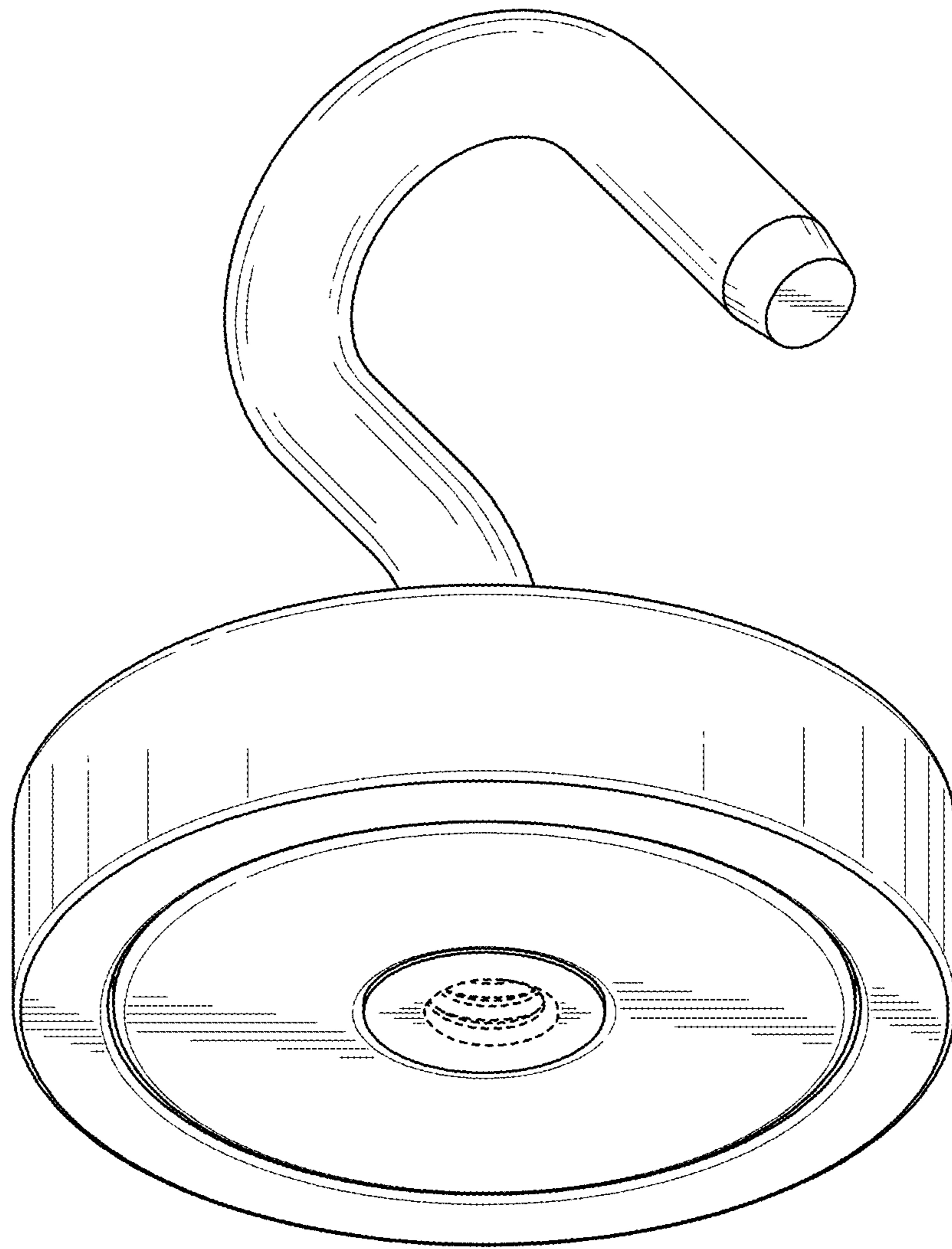


FIG. 2

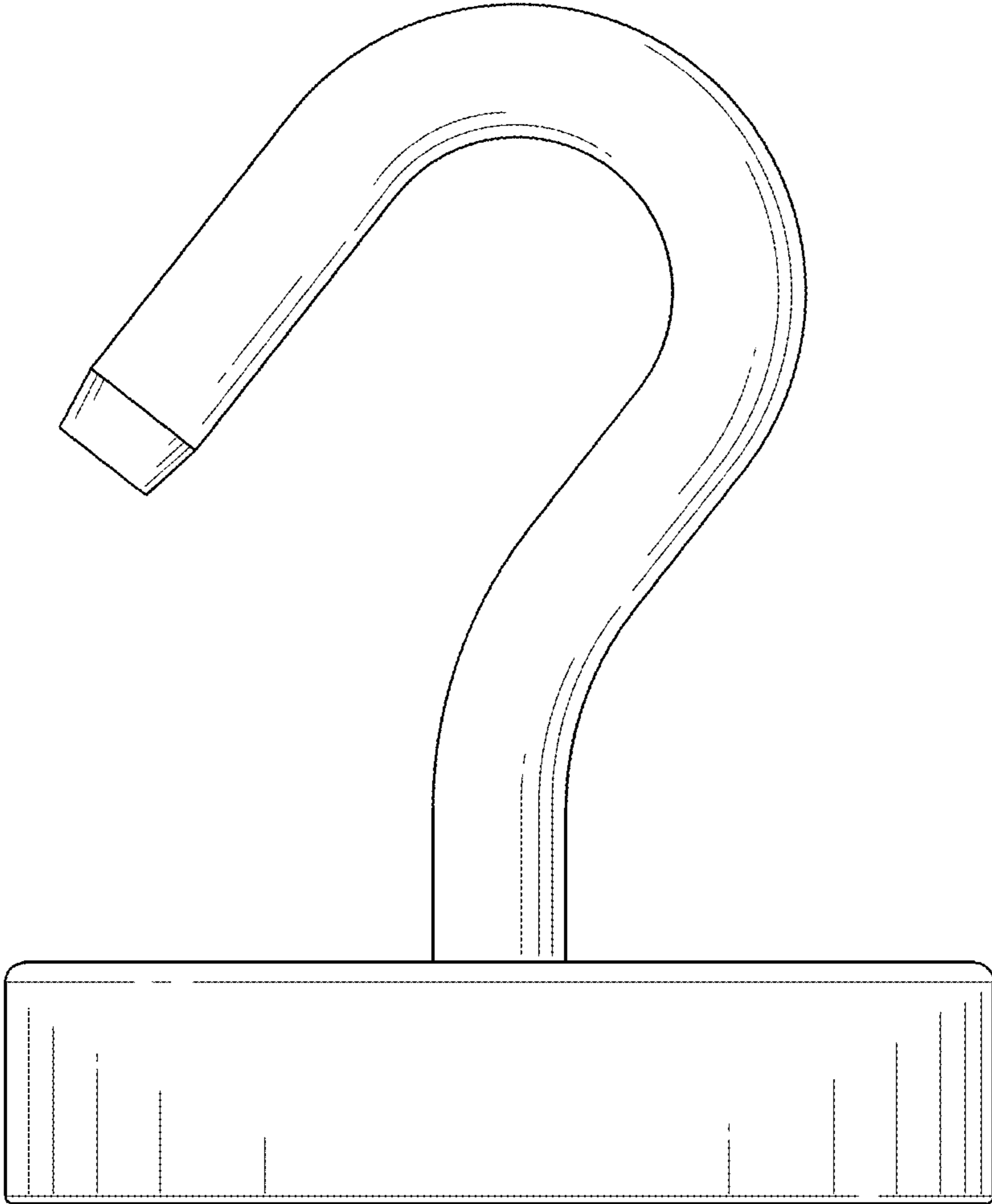


FIG. 3

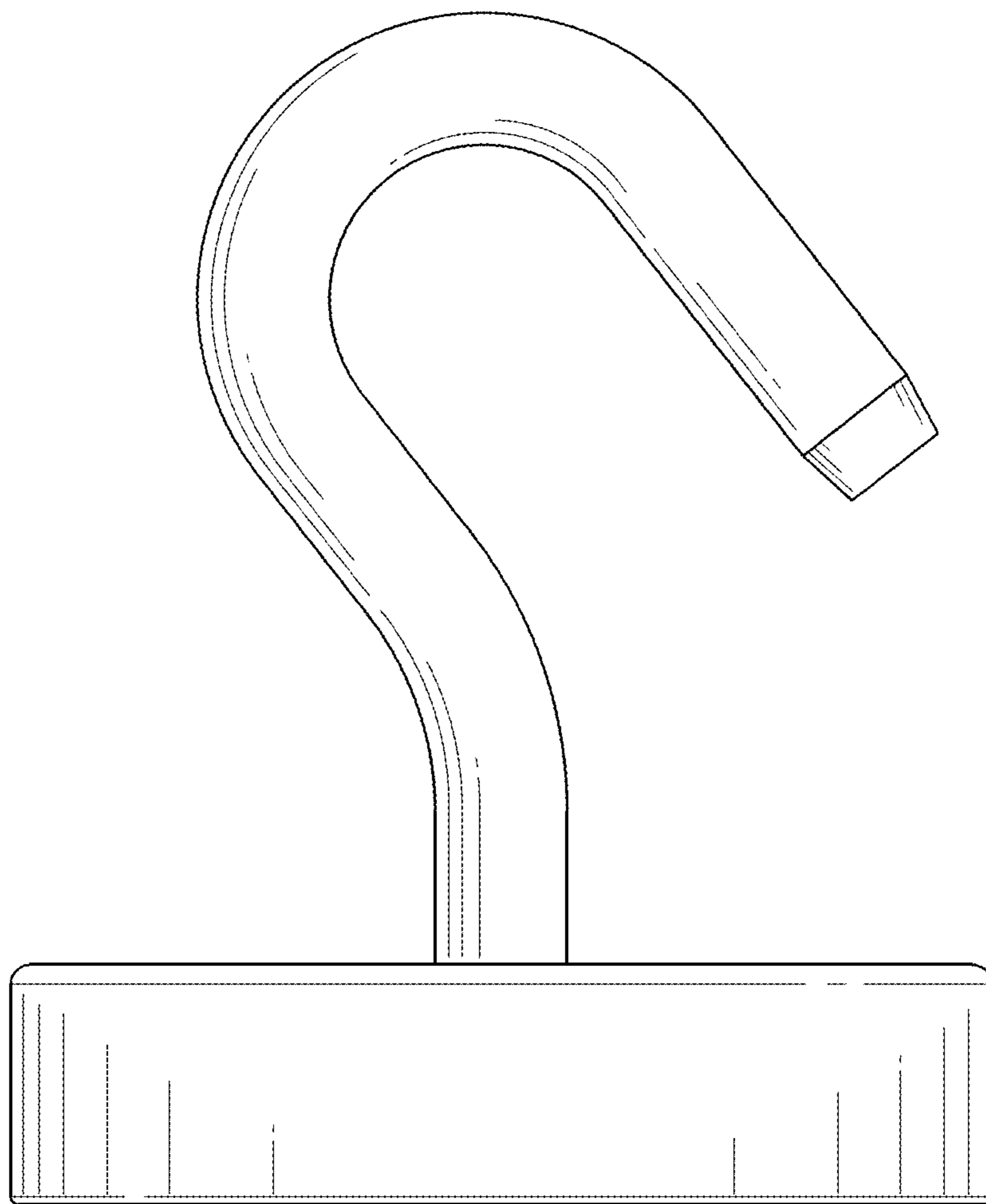


FIG. 4

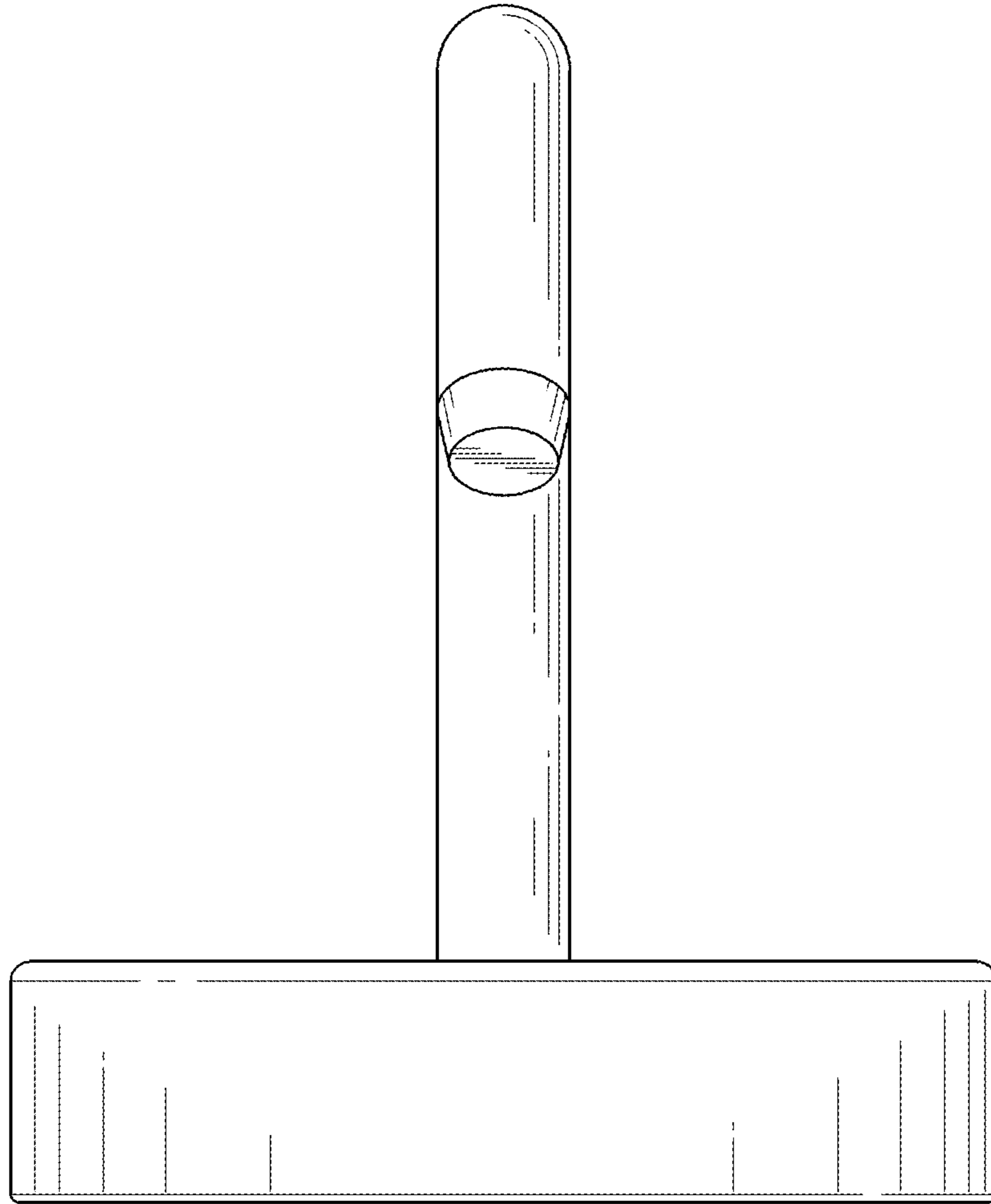


FIG. 5

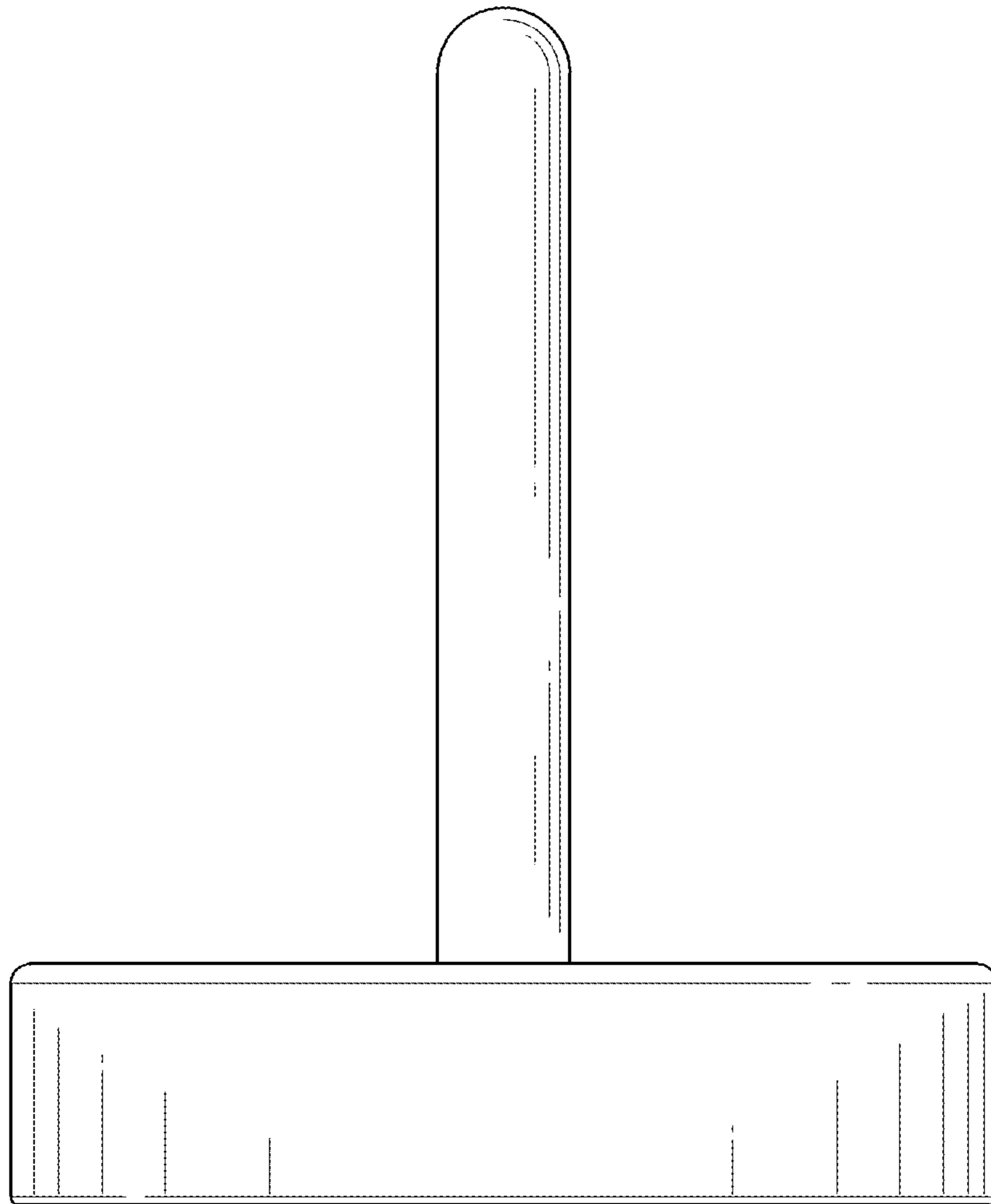


FIG. 6



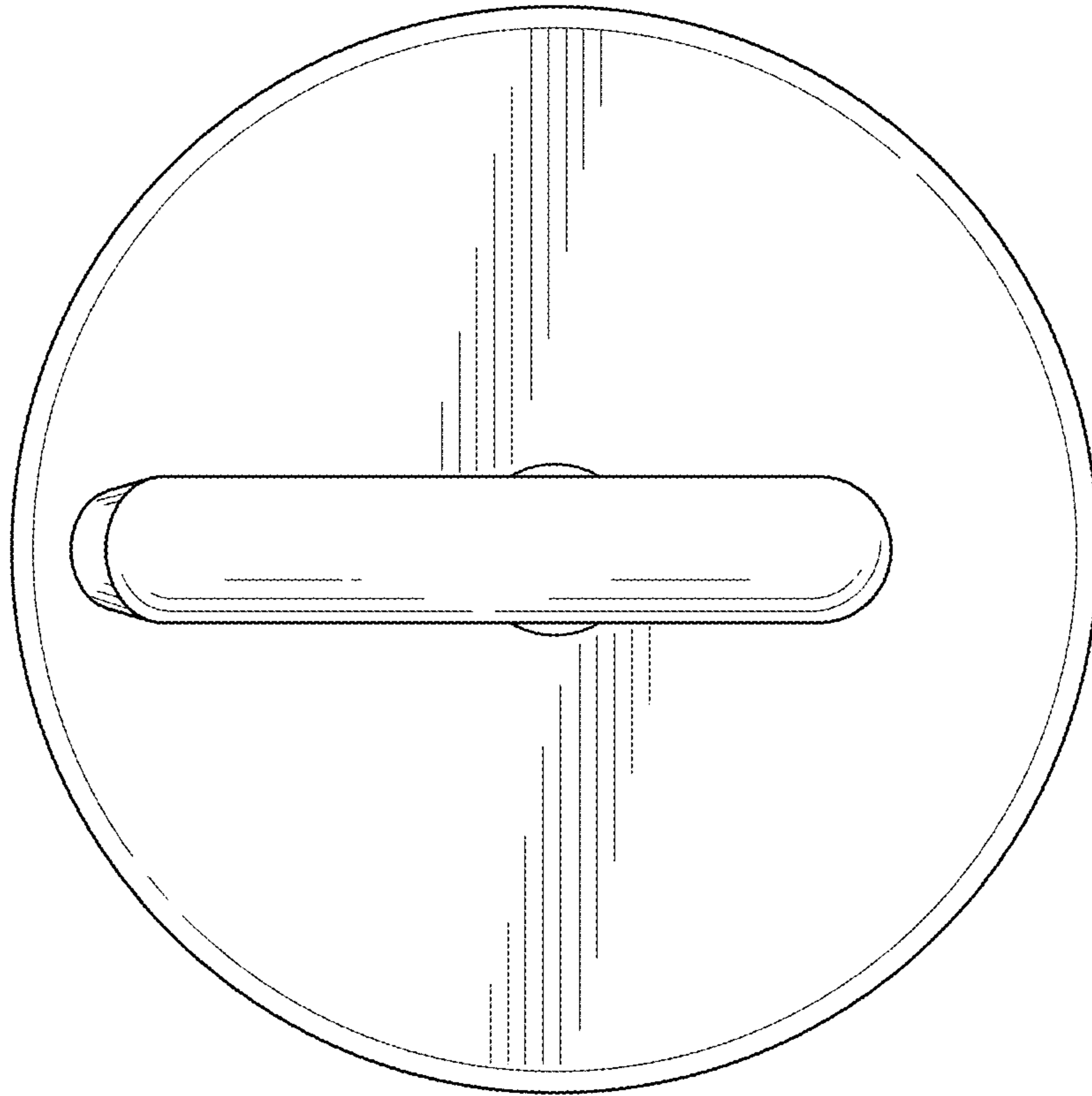


FIG. 7

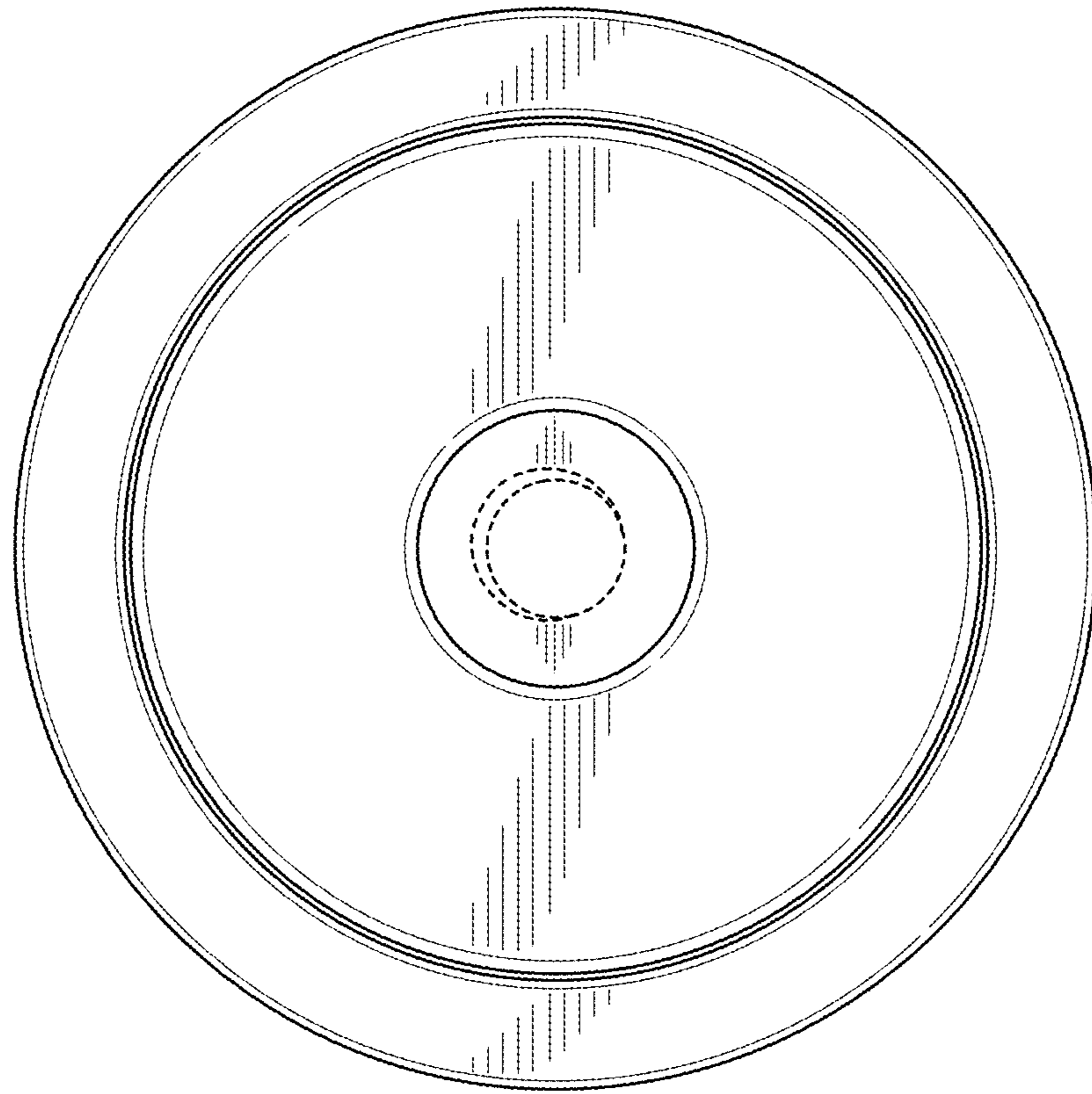


FIG. 8

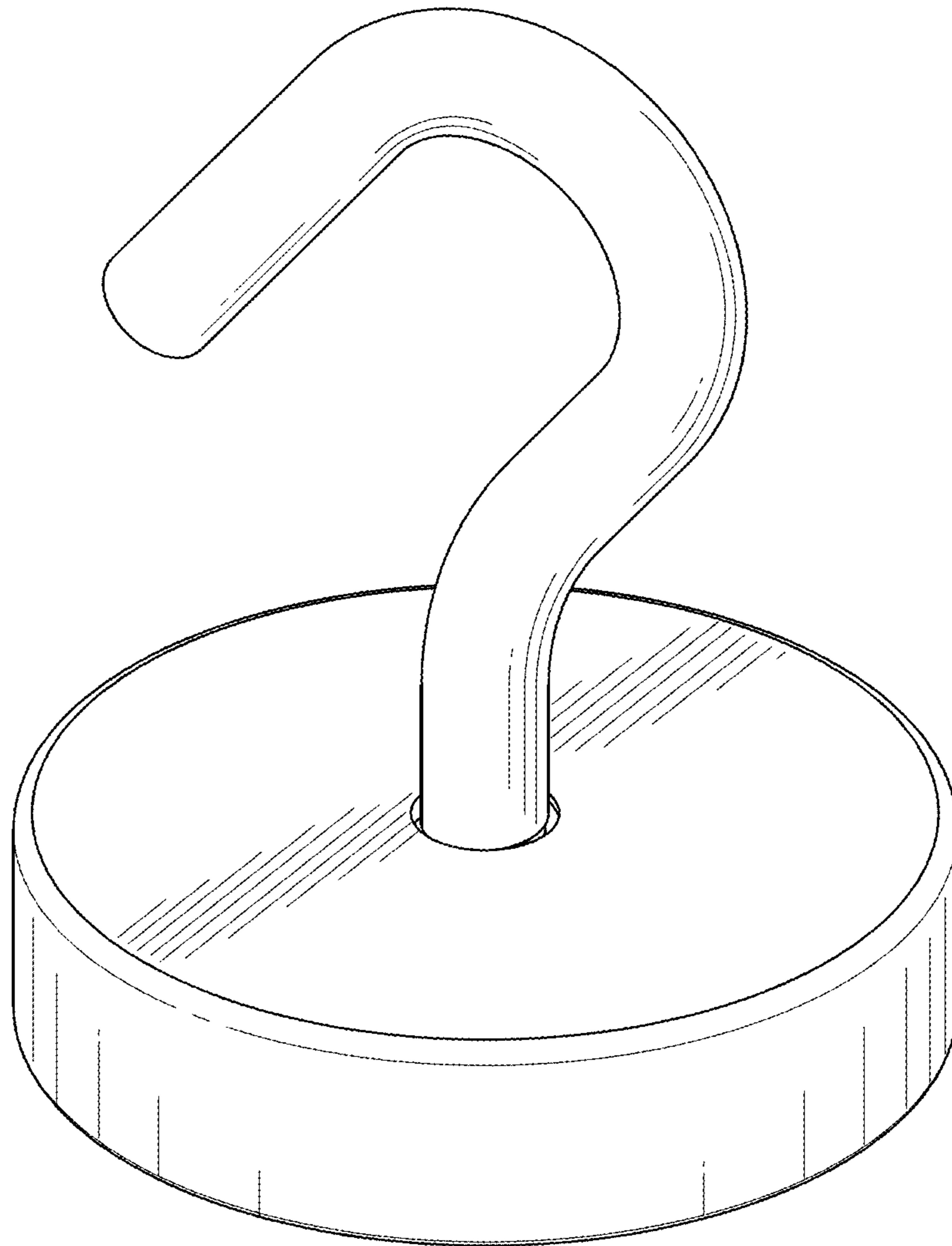


FIG. 9

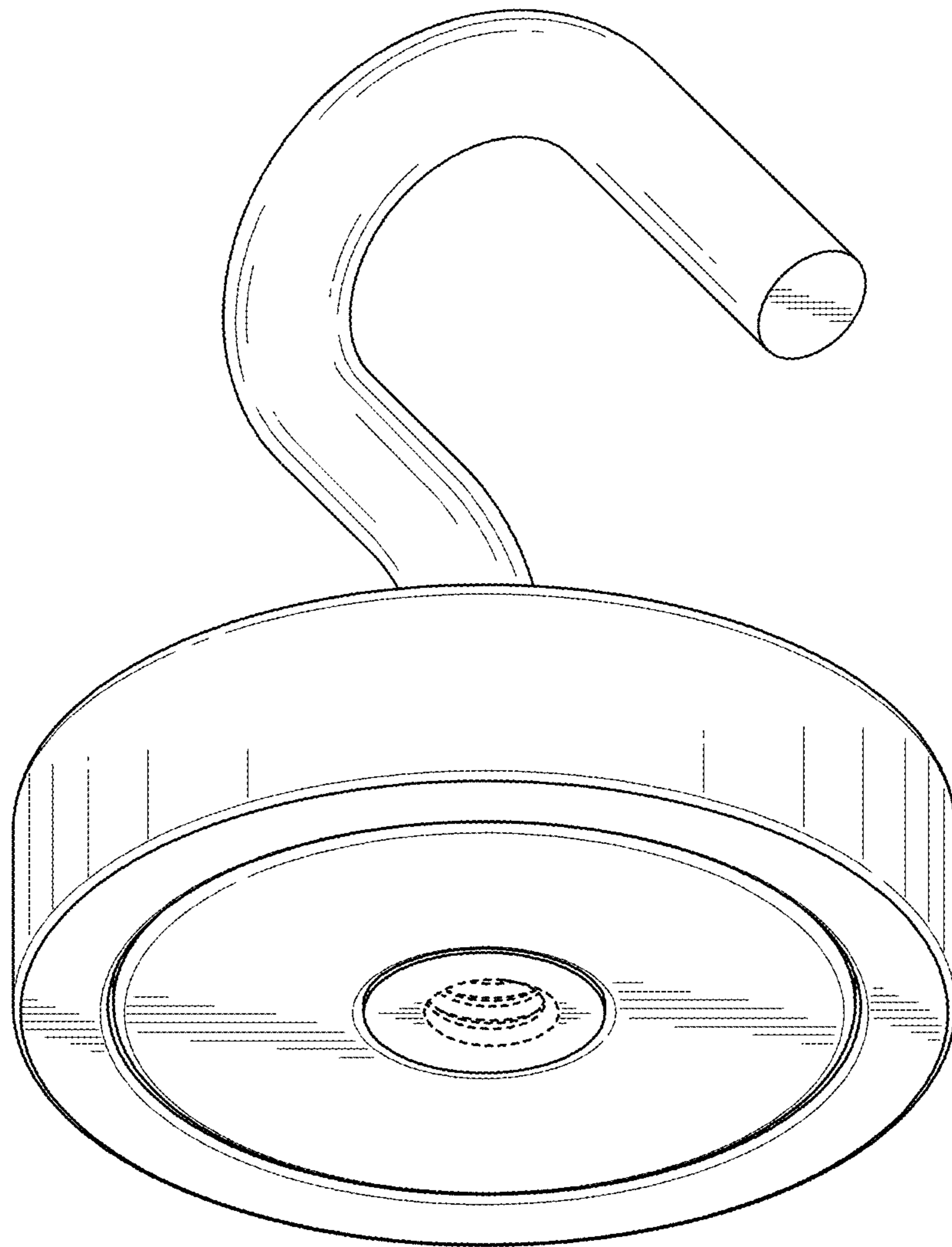


FIG. 10

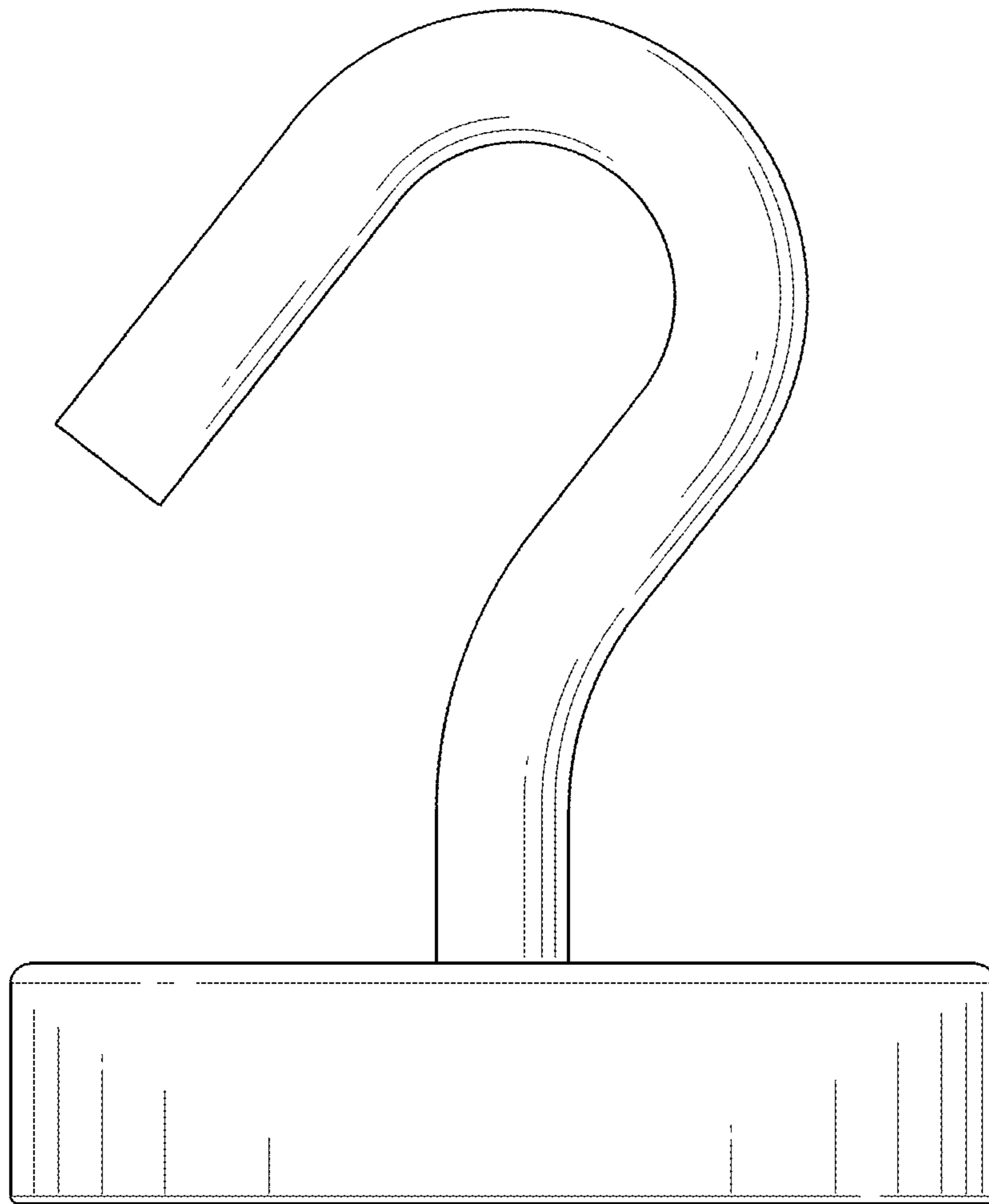


FIG. 11

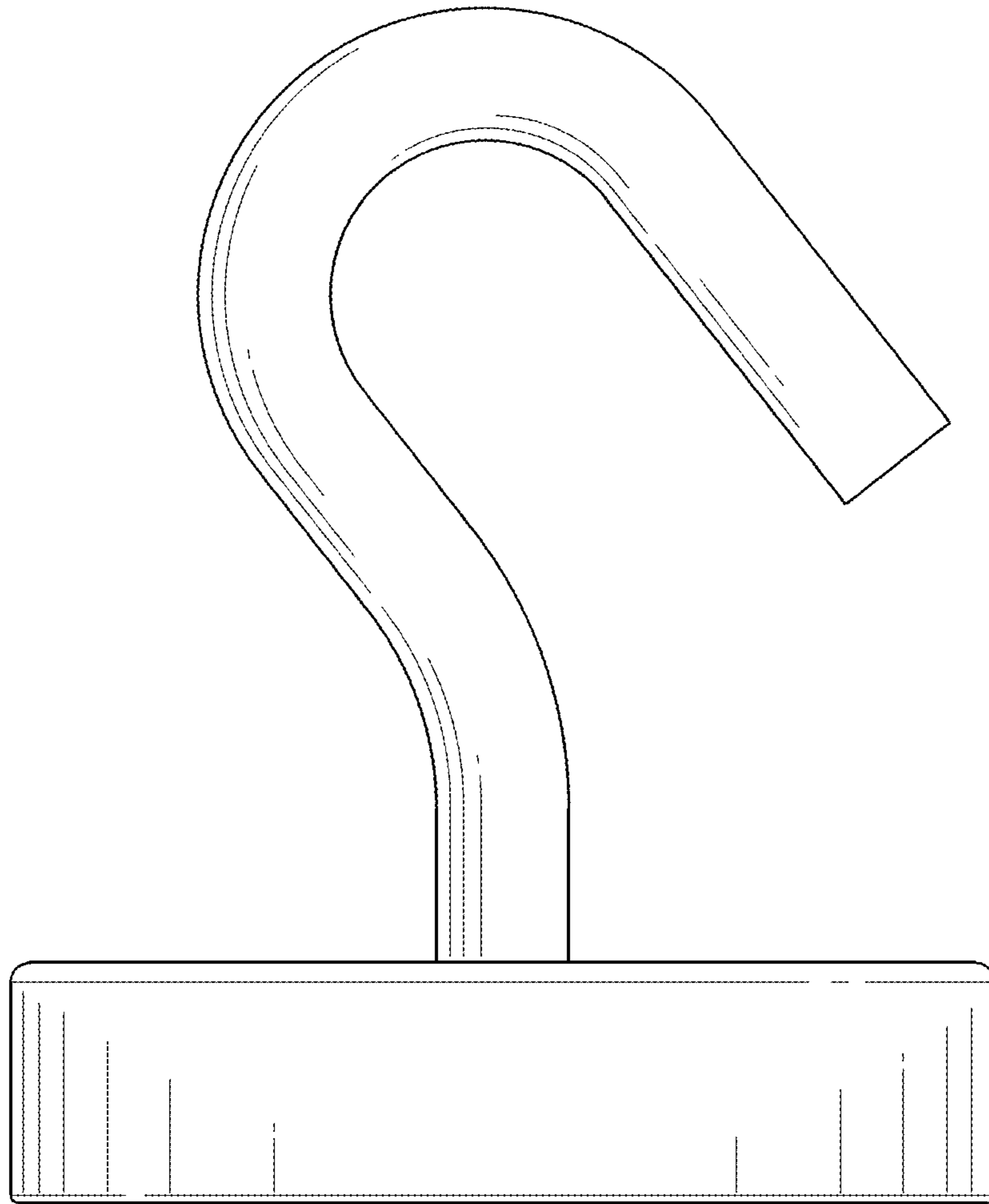


FIG. 12

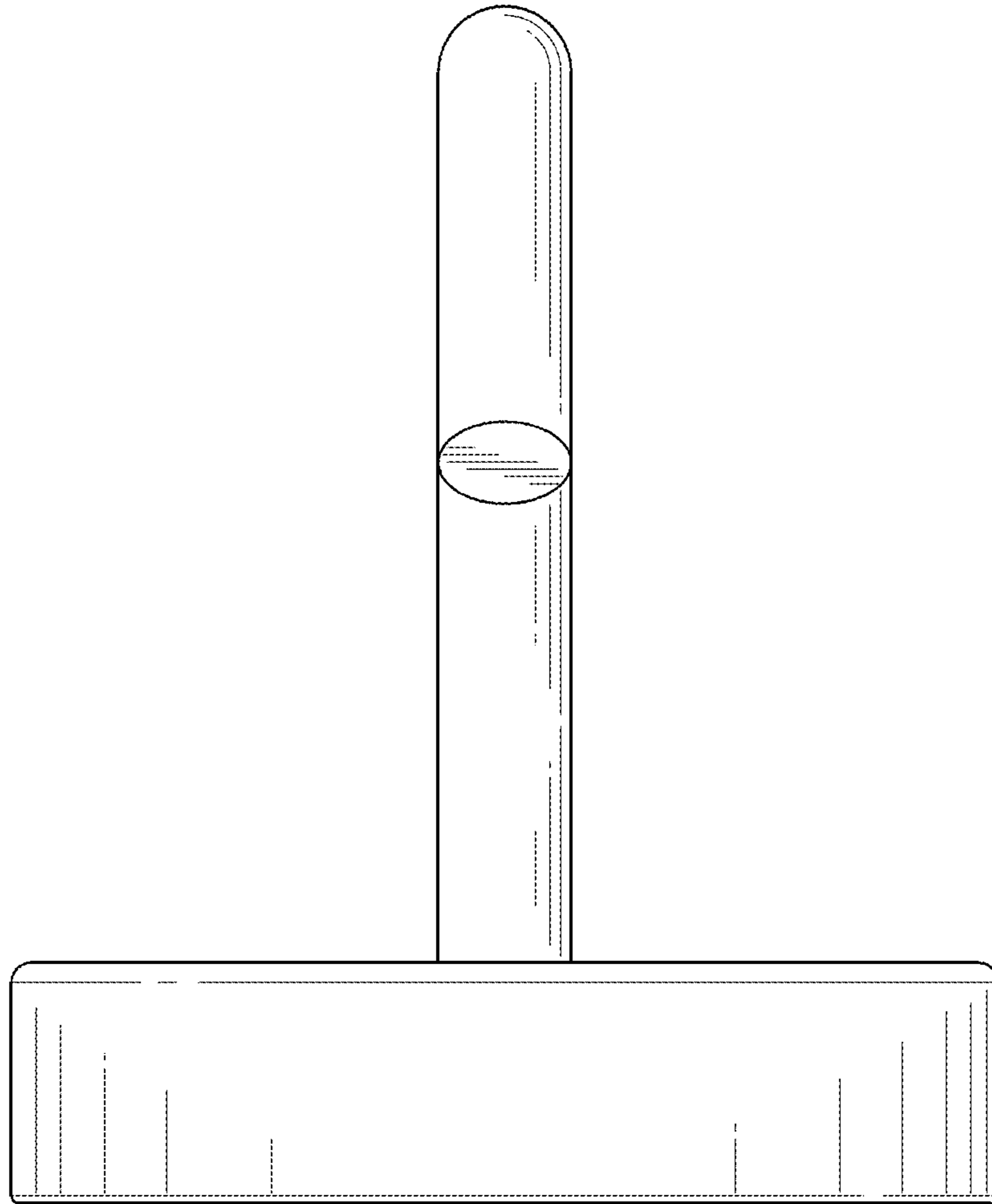


FIG. 13

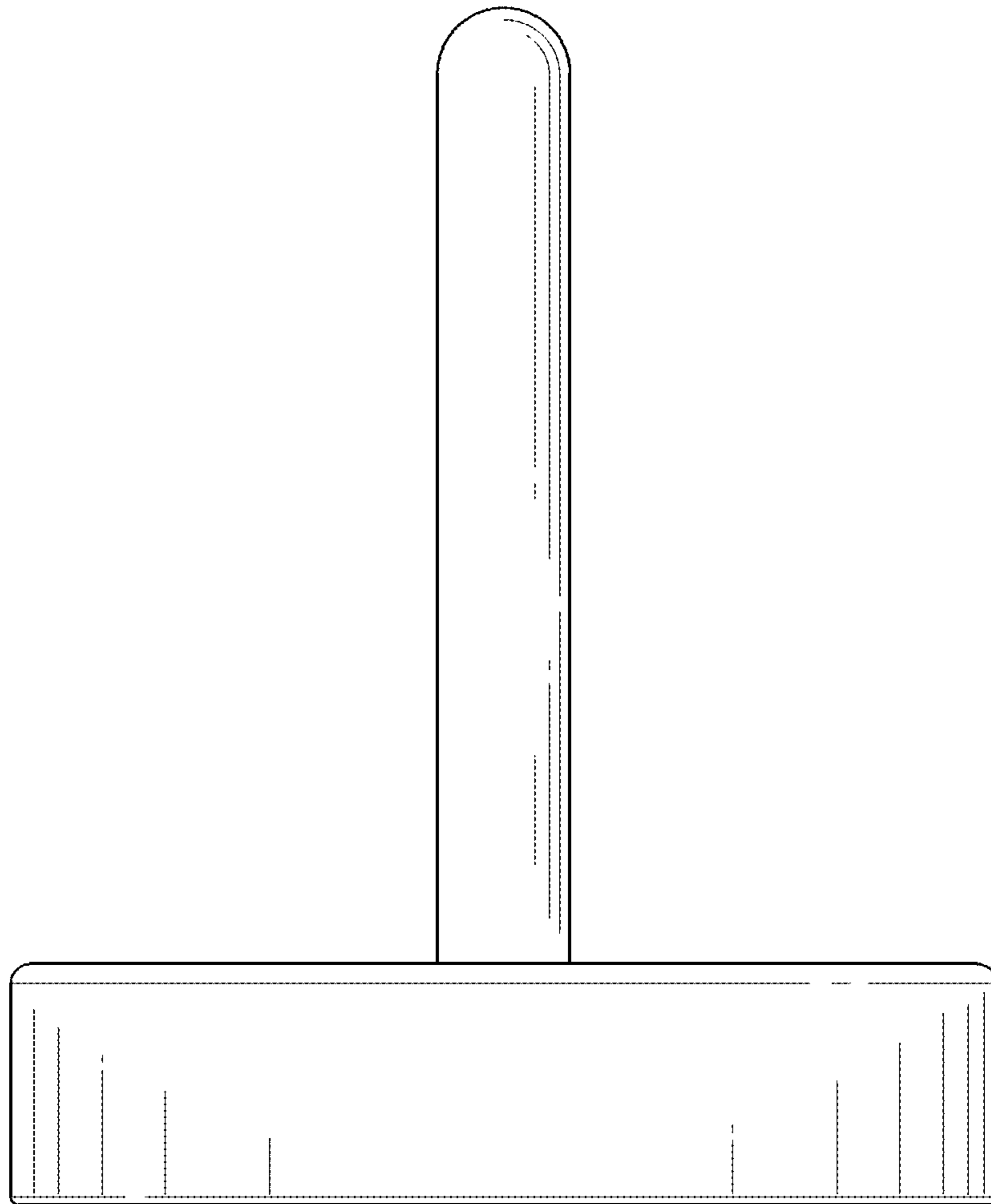


FIG. 14



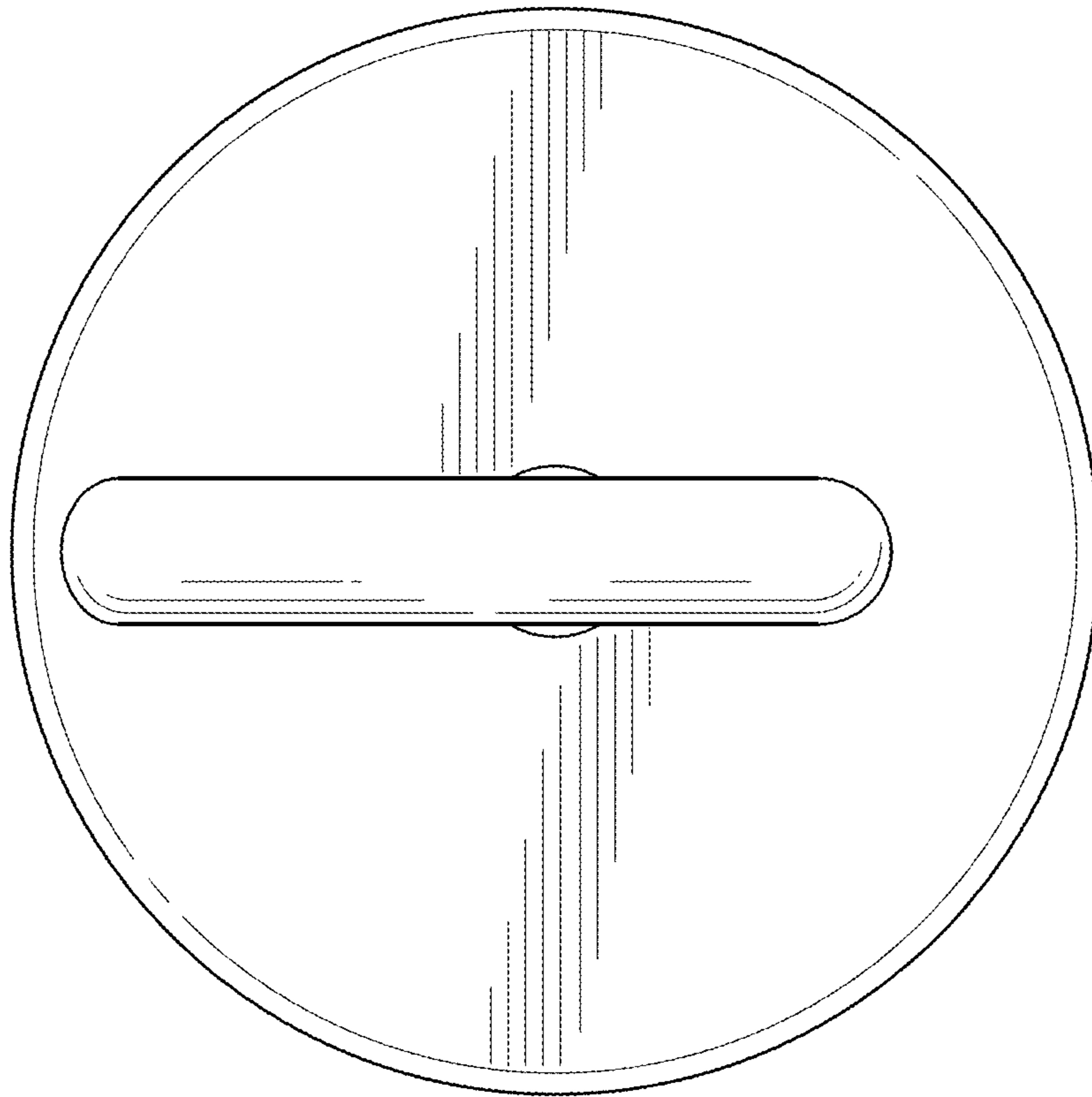


FIG. 15

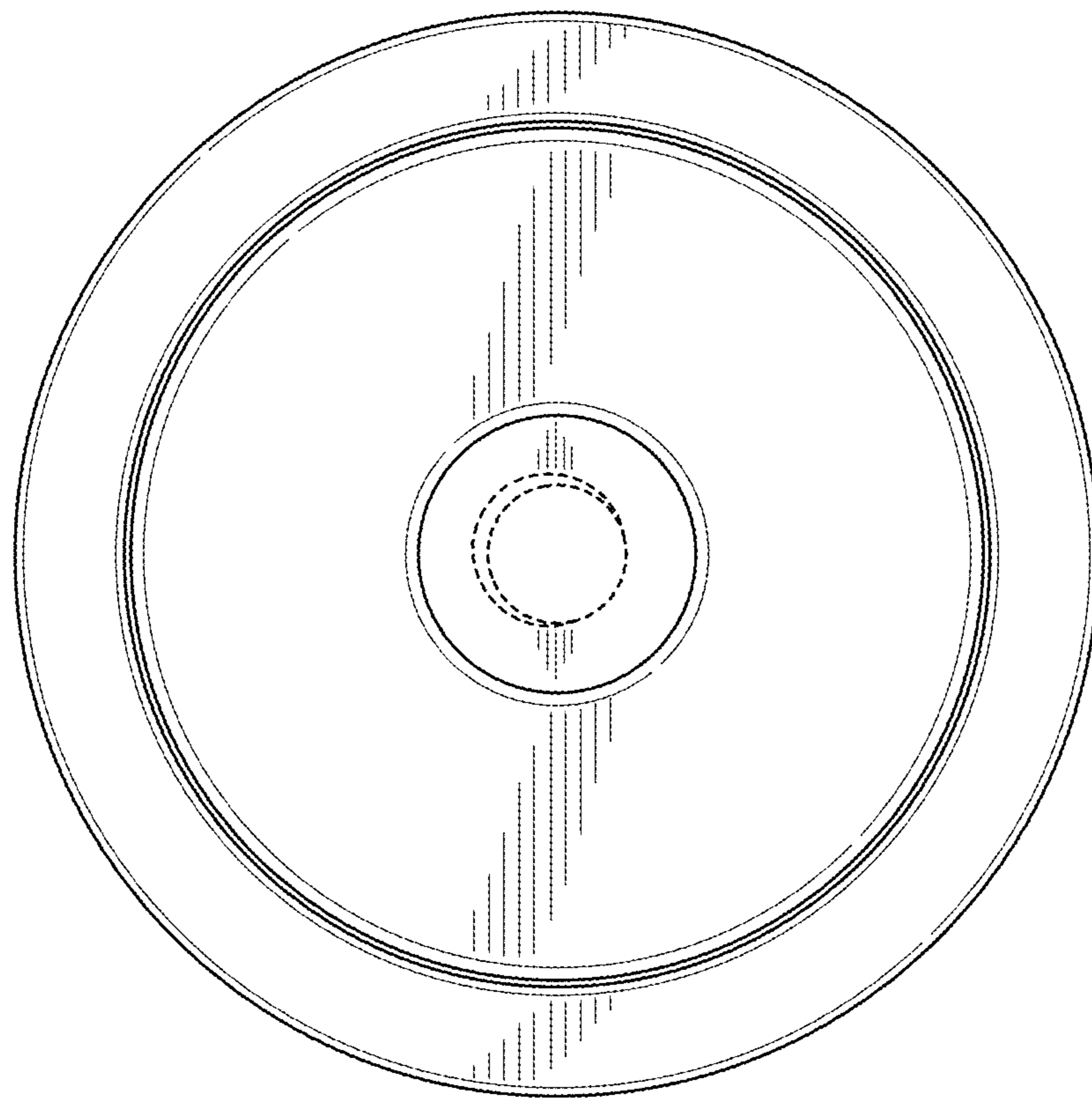


FIG. 16