



US00D982419S

(12) **United States Design Patent**
Chun

(10) **Patent No.:** **US D982,419 S**

(45) **Date of Patent:** **** Apr. 4, 2023**

- (54) **OVER-THE-DOOR HOOK**
- (71) Applicant: **Keahi Chun**, Honolulu, HI (US)
- (72) Inventor: **Keahi Chun**, Honolulu, HI (US)
- (73) Assignee: **Label Free LLC**, Honolulu, HI (US)
- (**) Term: **15 Years**

D606,847 S *	12/2009	Rataiczak, III	D8/367
7,887,017 B2 *	2/2011	Moran	B44C 5/00 248/339
D636,928 S *	4/2011	Lin	D26/138
D649,019 S *	11/2011	Kim	D8/367
D668,938 S *	10/2012	Morales	D8/367
D672,224 S *	12/2012	Brinson	D8/367
D697,785 S *	1/2014	Davis	D8/367

(Continued)

Primary Examiner — Cynthia R Underwood

- (21) Appl. No.: **29/746,063**
- (22) Filed: **Aug. 11, 2020**
- (51) **LOC (14) Cl.** **08-11**
- (52) **U.S. Cl.**
USPC **D8/367**
- (58) **Field of Classification Search**
USPC D8/367, 354, 349, 373, 356, 372;
D6/323; 248/301-304, 339
CPC . A47G 1/00; A47G 25/00; A47G 1/17; A47G
29/083; F16B 47/003; F16B 2/248; E04H
17/124
See application file for complete search history.

(57) **CLAIM**

The ornamental design for an over-the-door hook, as shown and described.

DESCRIPTION

FIG. 1 is a front, top left perspective view of an over-the-door hook showing my new design;
 FIG. 2 is a back, bottom right perspective view thereof;
 FIG. 3 is a left perspective view thereof;
 FIG. 4 is a right perspective view thereof;
 FIG. 5 is a front perspective view thereof;
 FIG. 6 is a back perspective view thereof;
 FIG. 7 is a top perspective view thereof;
 FIG. 8 is a bottom perspective view thereof;
 FIG. 9 is a left perspective view of the over-the-door hook showing a second embodiment;
 FIG. 10 is an exploded view of FIG. 1; and,
 FIG. 11 is a view of FIG. 1 in an environment of use on top of a door.

The upper portion of a door, each circular boundary, are both fasteners in the exploded view are shown in broken lines for the purpose of illustrating a portion of the environmental structure only and form no part of the claimed design.

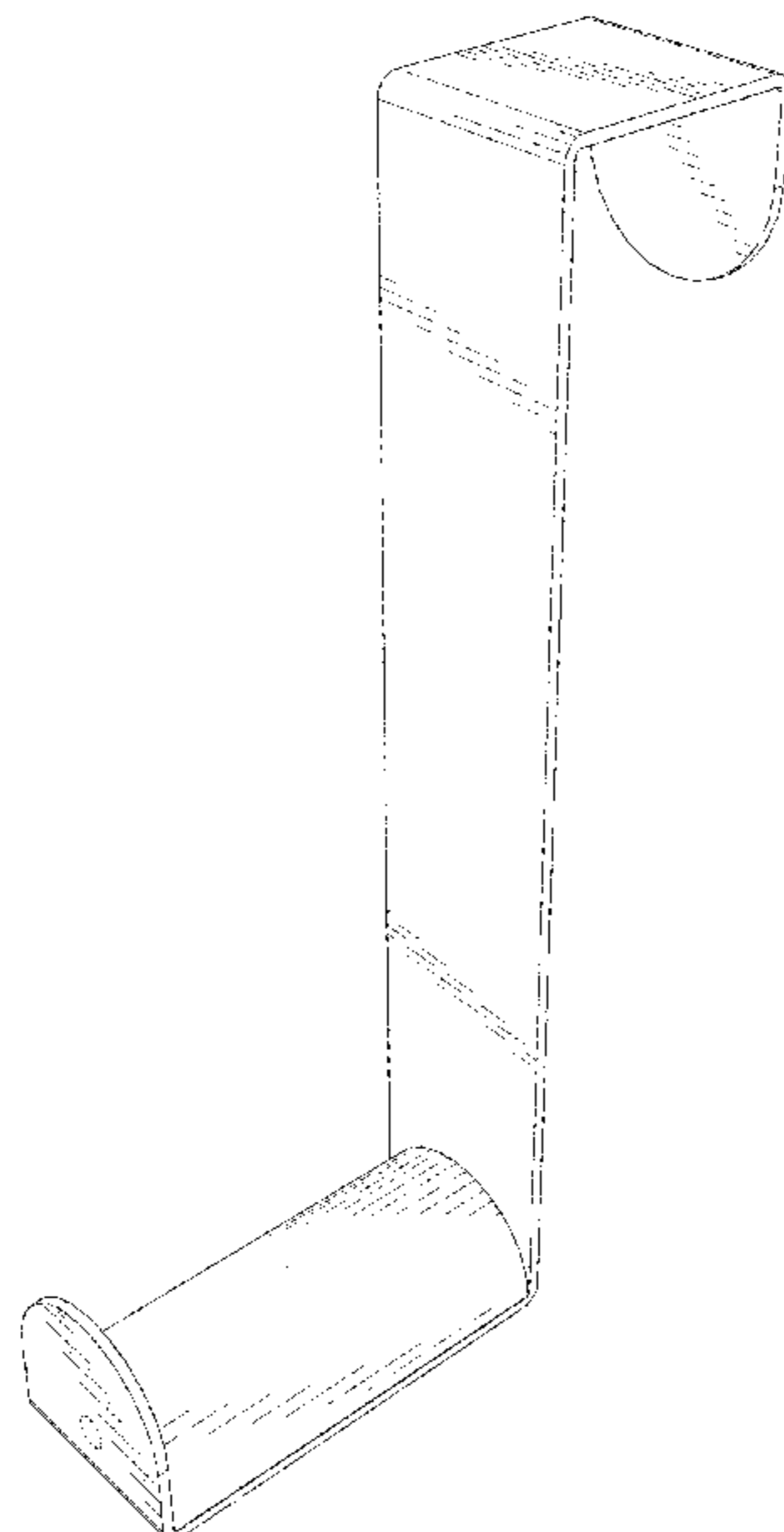
The parallel thin shading lines are not surface ornamentation, but are illustrative techniques for the purpose of depicting contour only and form no part of the claimed design.

1 Claim, 11 Drawing Sheets

(56) **References Cited**

U.S. PATENT DOCUMENTS

D305,299 S *	1/1990	Freeman	D8/371
D349,042 S *	7/1994	Costello	D8/367
5,368,267 A *	11/1994	Howard	A47G 7/044 248/274.1
D354,675 S *	1/1995	Bannister	D8/367
D378,050 S *	2/1997	Richeson	D8/367
D422,198 S *	4/2000	Snell	D8/367
6,199,733 B1 *	3/2001	Reynolds, III	A45F 5/02 24/581.1
7,234,671 B2 *	6/2007	Avinger	A01G 5/04 248/339
D549,565 S *	8/2007	Cox	D8/394
D568,727 S *	5/2008	Walker	D8/380
D583,223 S *	12/2008	Bunn, Sr.	D8/371
D584,939 S *	1/2009	Snell	D8/367



(56)

References Cited

U.S. PATENT DOCUMENTS

8,783,534 B1 * 7/2014 Marshall A45F 5/021
 224/269
 8,888,152 B1 * 11/2014 Coakley B25B 9/00
 224/267
 8,899,541 B2 * 12/2014 Bixler A47G 1/164
 40/748
 D742,726 S * 11/2015 Glass D8/367
 D746,127 S * 12/2015 Cohen D8/367
 D756,756 S * 5/2016 Kuehn D8/367
 D810,547 S * 2/2018 Lynn D8/367
 10,299,614 B2 * 5/2019 Adams G09F 7/18
 D859,132 S * 9/2019 Abeel D8/367
 D864,698 S * 10/2019 Wilson A45F 5/00
 D8/367
 D865,497 S * 11/2019 Williamson D8/367
 D871,897 S * 1/2020 Wellington D8/367
 D891,147 S * 7/2020 Denby D6/553
 D893,986 S * 8/2020 Adelman D8/367
 D895,405 S * 9/2020 Boisvert D8/367
 D896,064 S * 9/2020 Boisvert D8/367
 D900,597 S * 11/2020 Lee D8/367
 11,009,308 B2 * 5/2021 Ochs F41B 5/14
 11,076,534 B1 * 8/2021 Kacines A47G 25/0614
 11,248,741 B1 * 2/2022 Parniani A01G 5/04
 D960,692 S * 8/2022 Giloley D8/367
 2011/0253757 A1 * 10/2011 May, Jr. A45F 3/08
 224/268
 2012/0199714 A1 * 8/2012 Rinaldo F16B 45/00
 248/304
 2015/0150389 A1 * 6/2015 Nilsson A47F 5/0823
 248/220.42

* cited by examiner

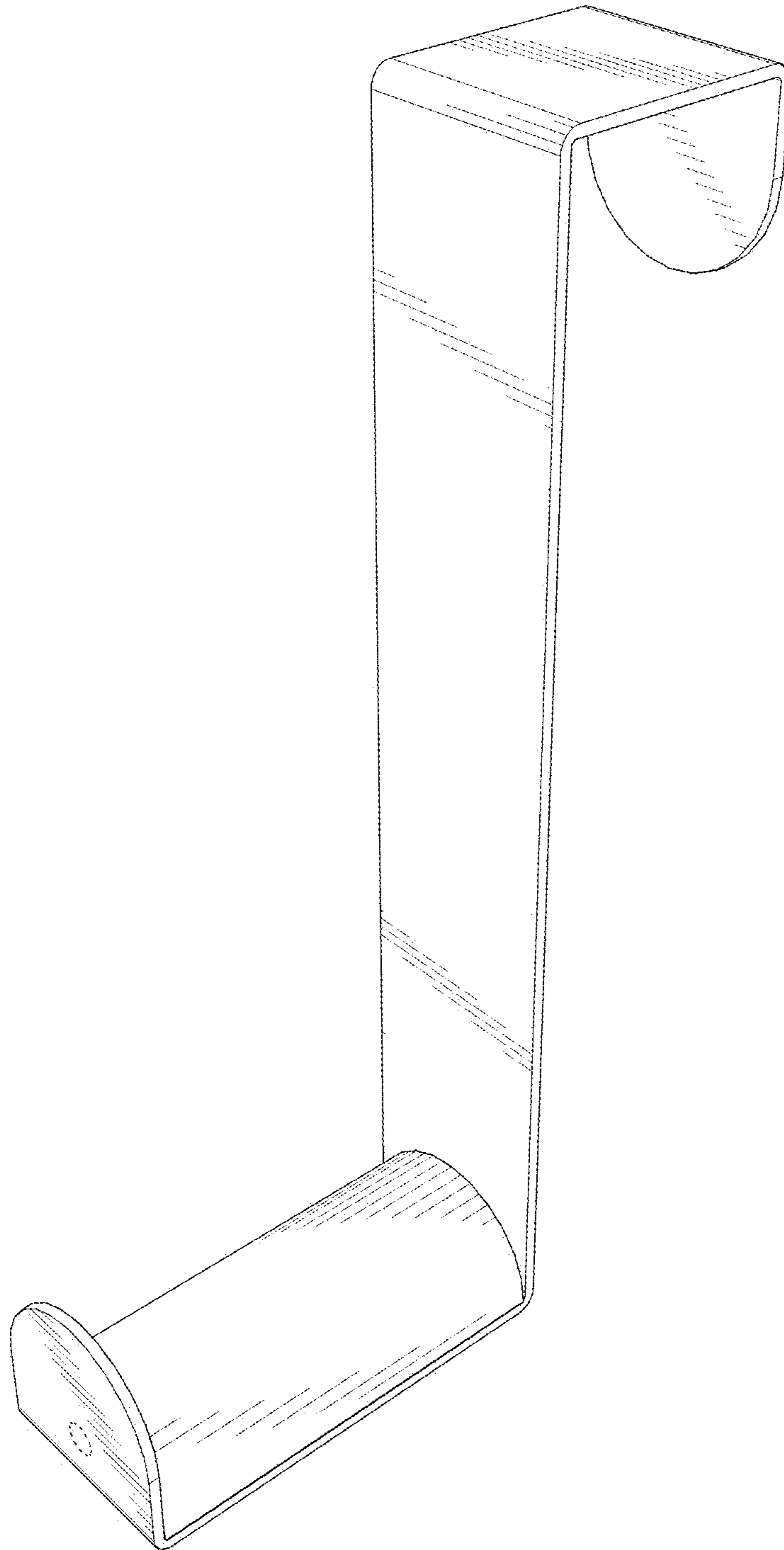


FIG. 1

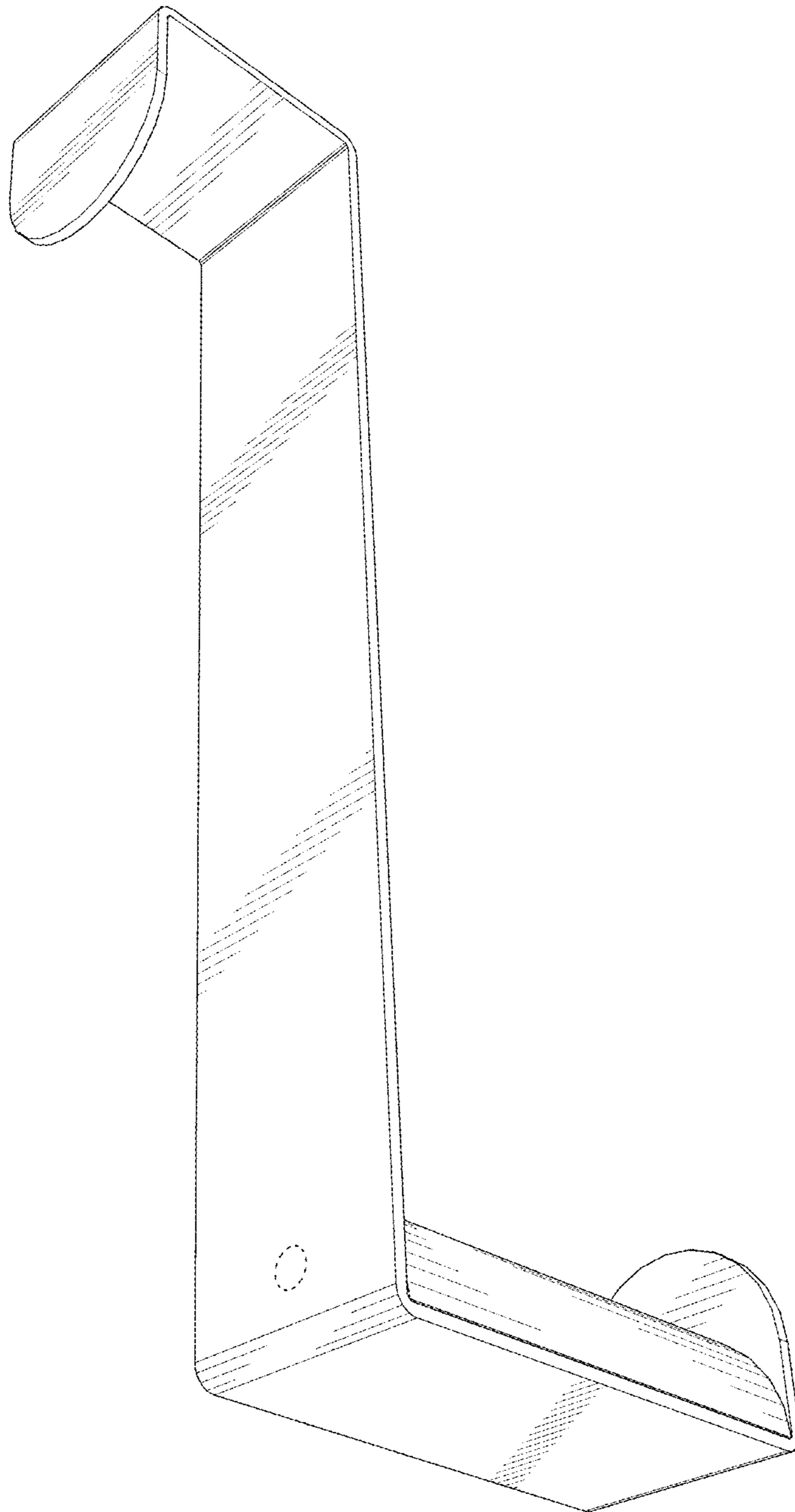


FIG. 2

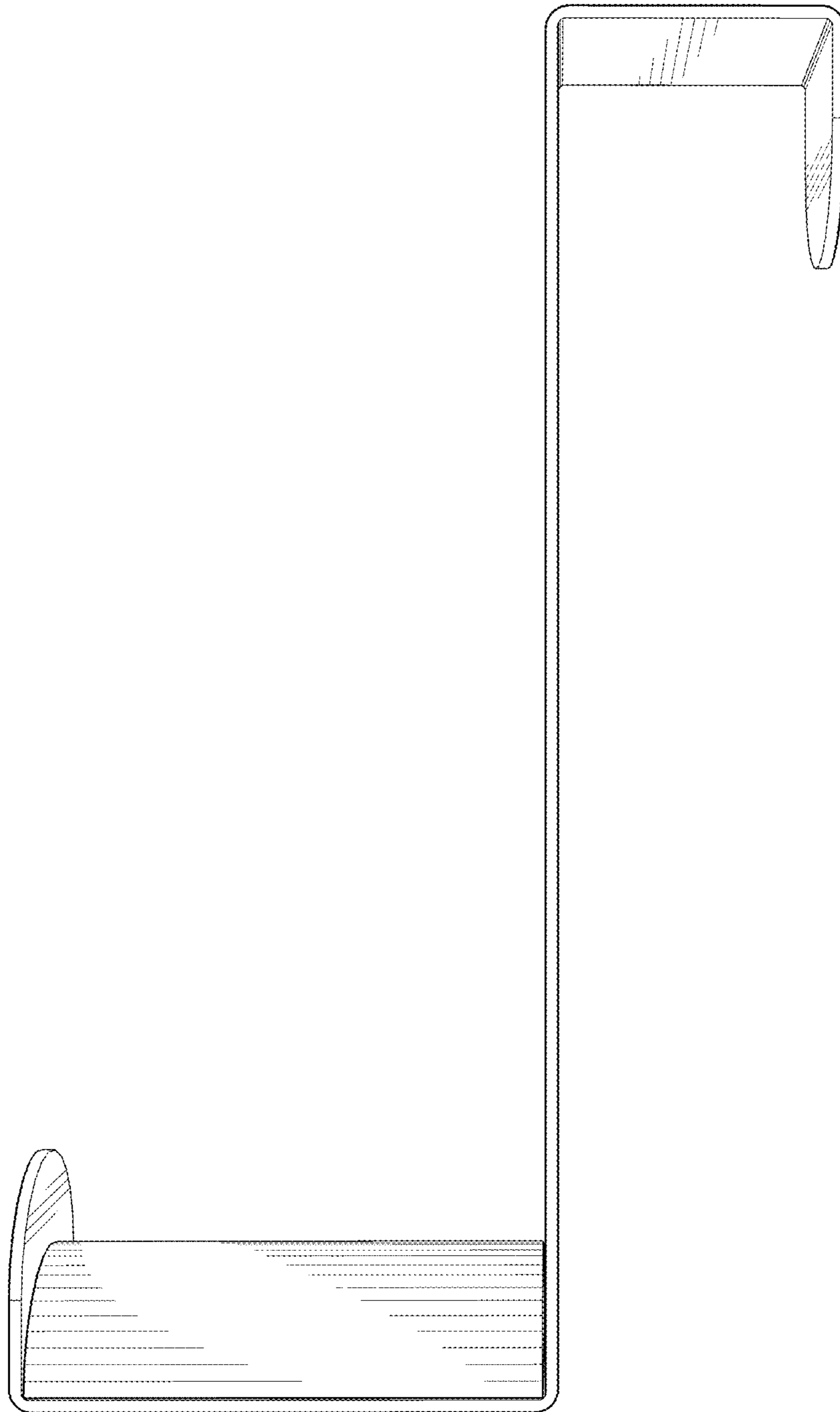


FIG. 3

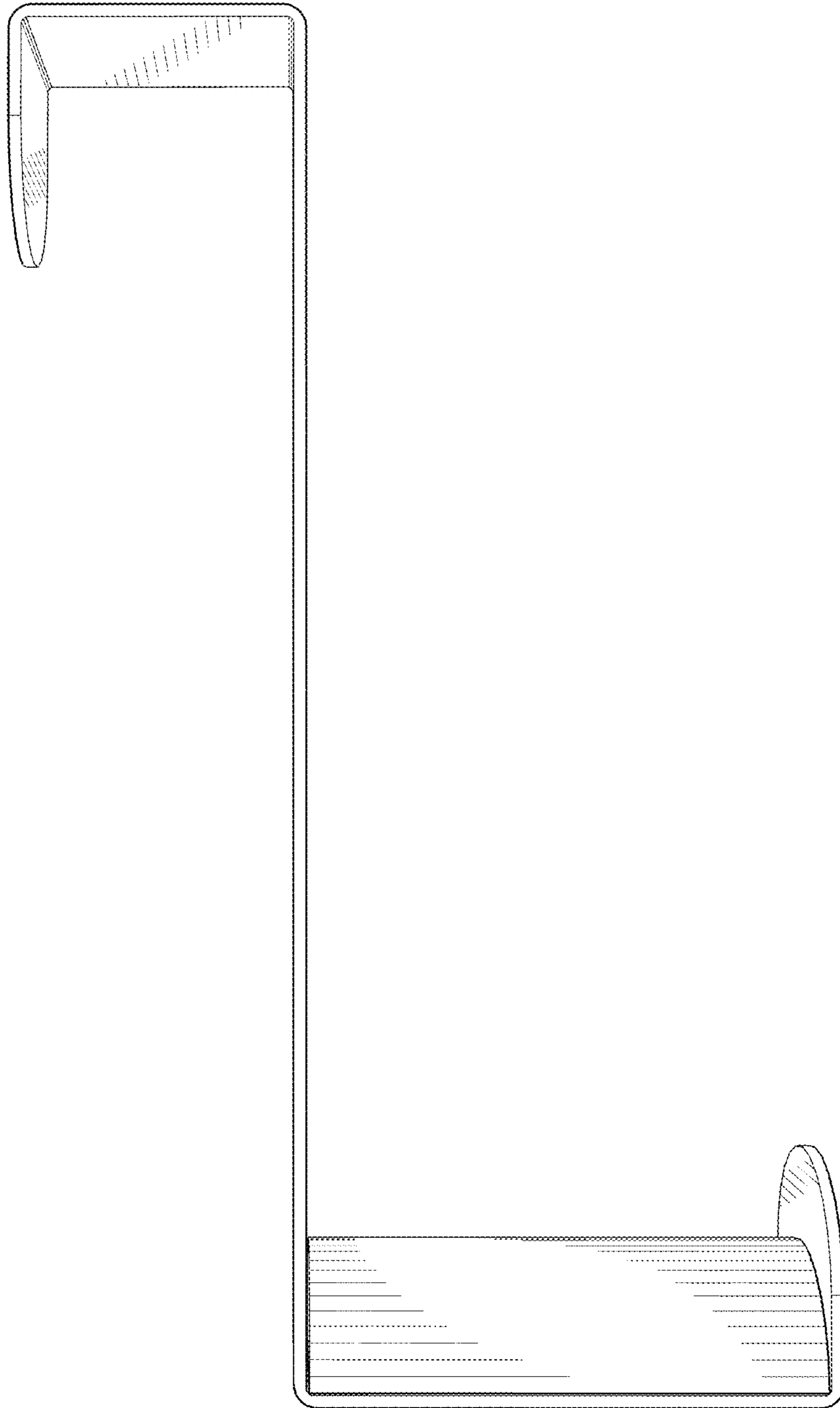


FIG.4

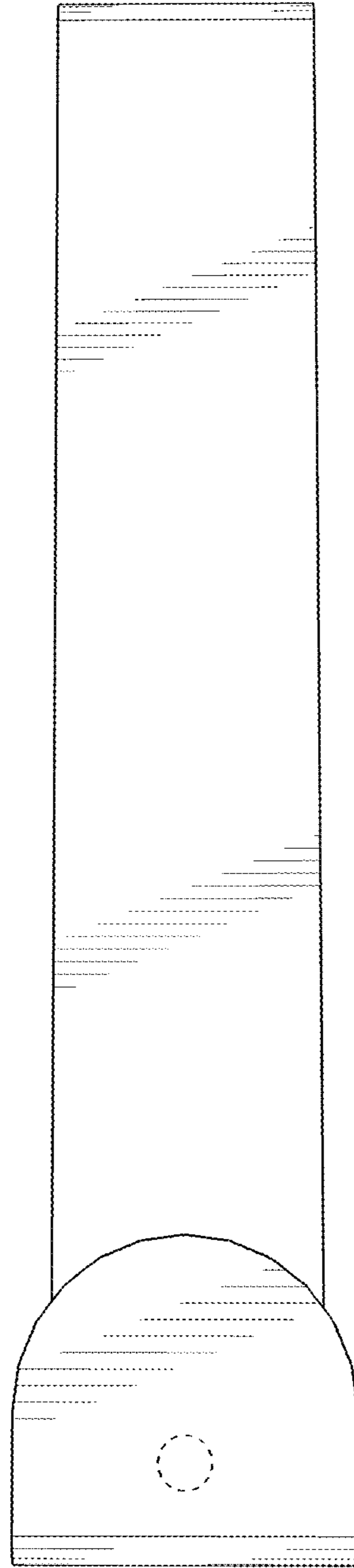


FIG. 5

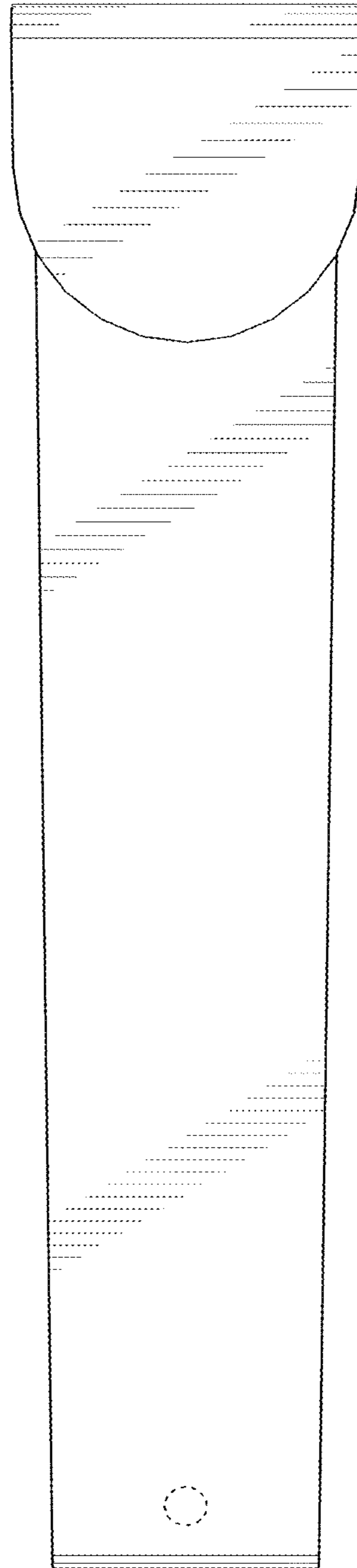


FIG. 6

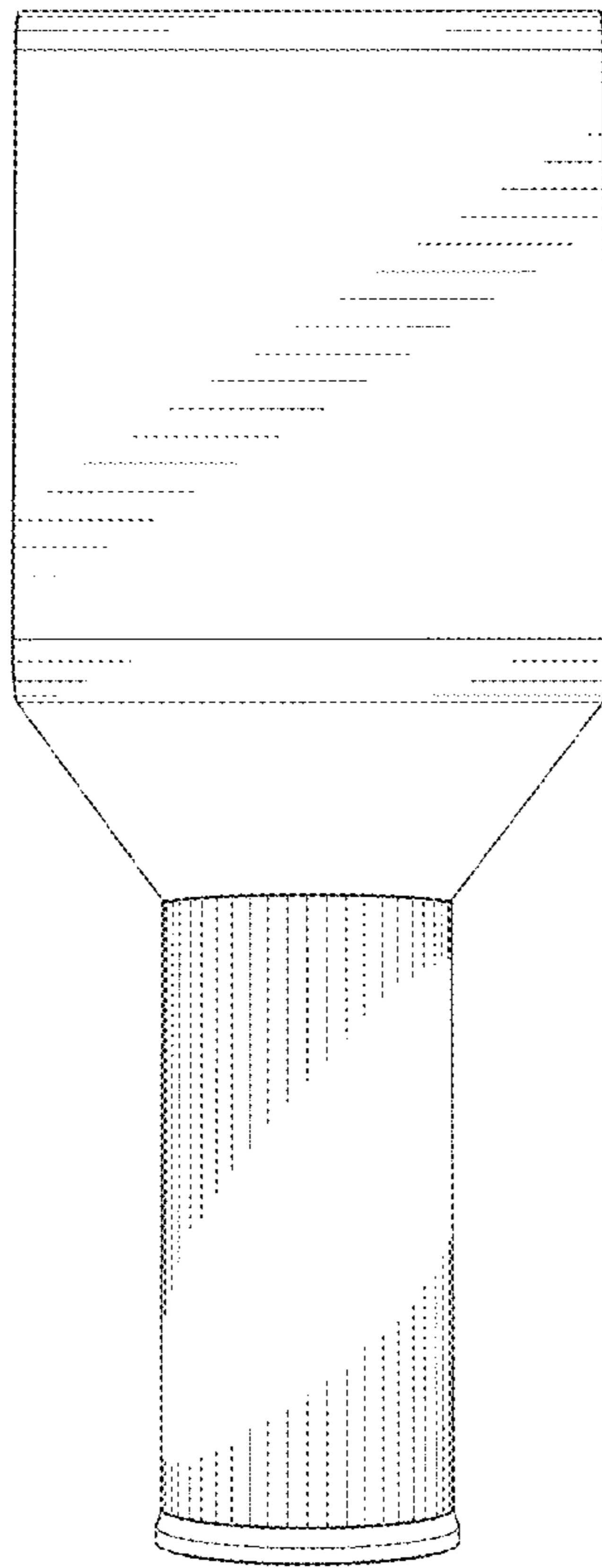


FIG. 7

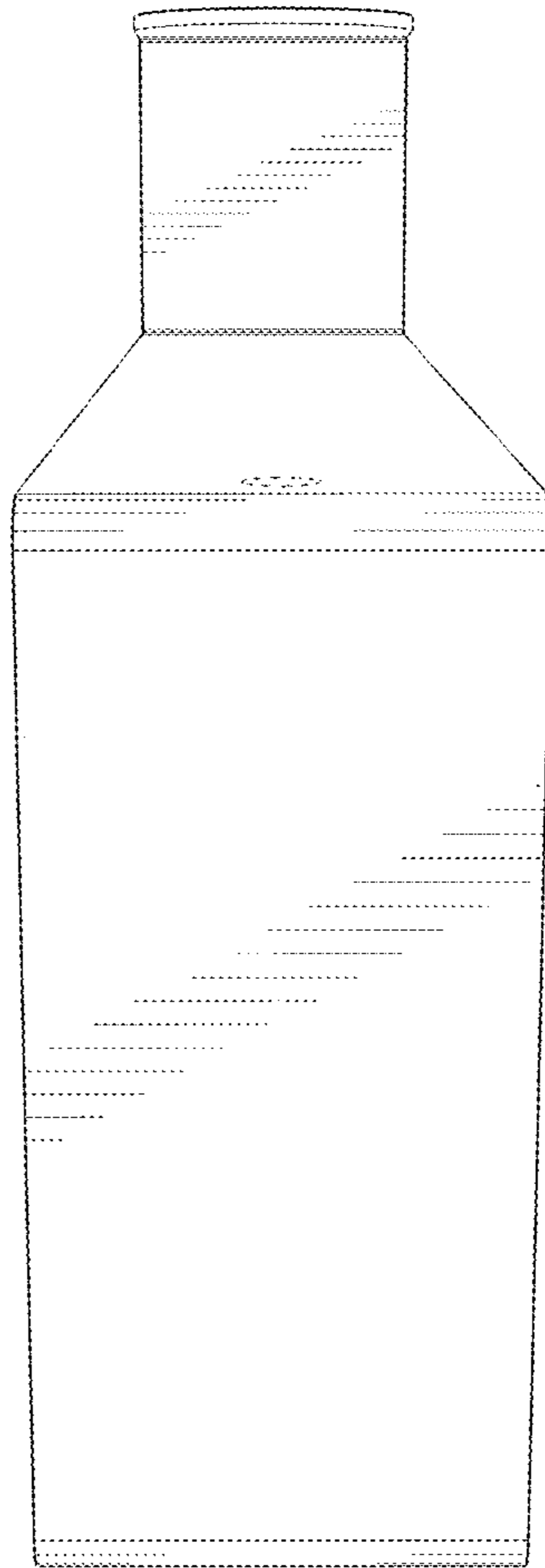


FIG. 8

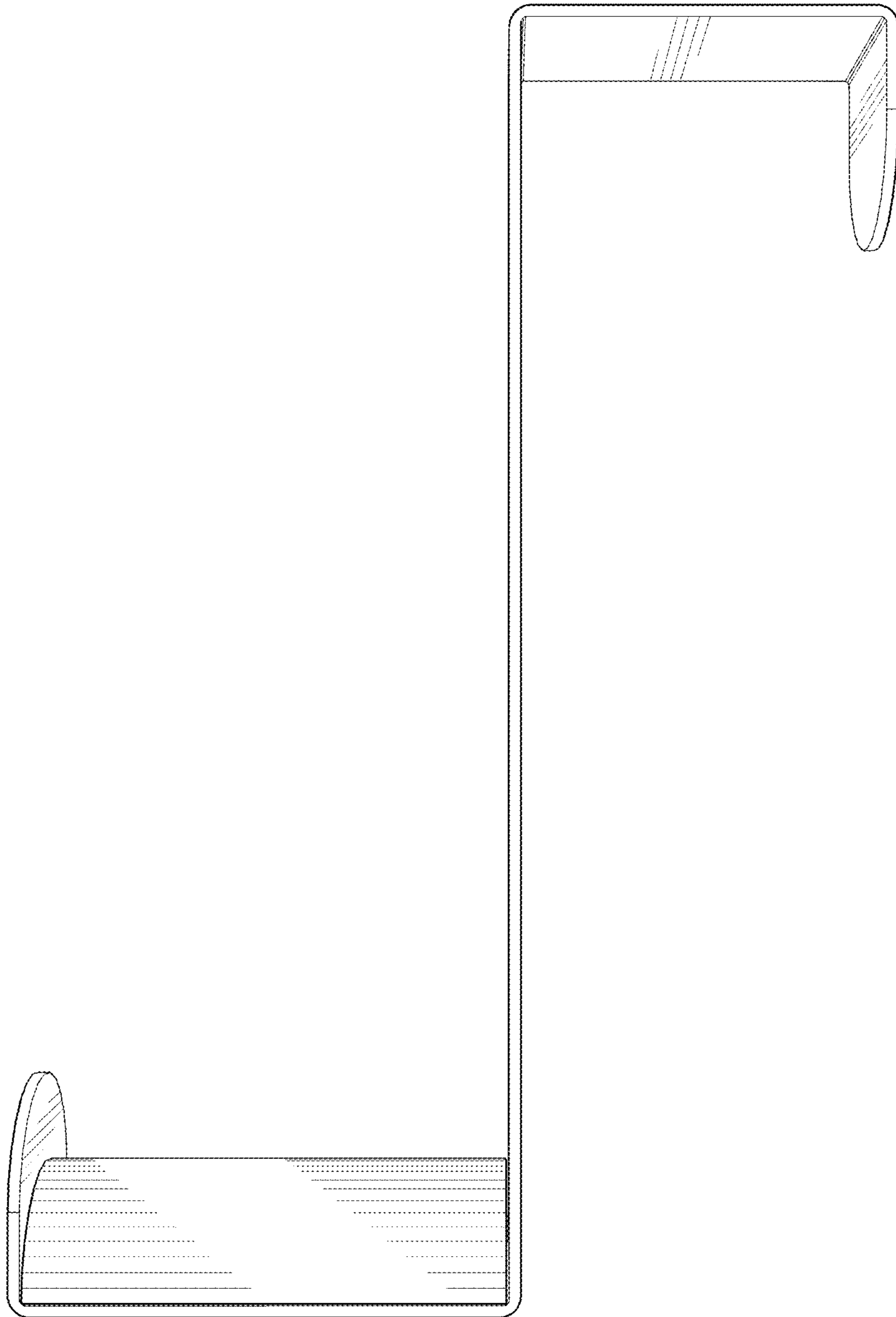


FIG. 9

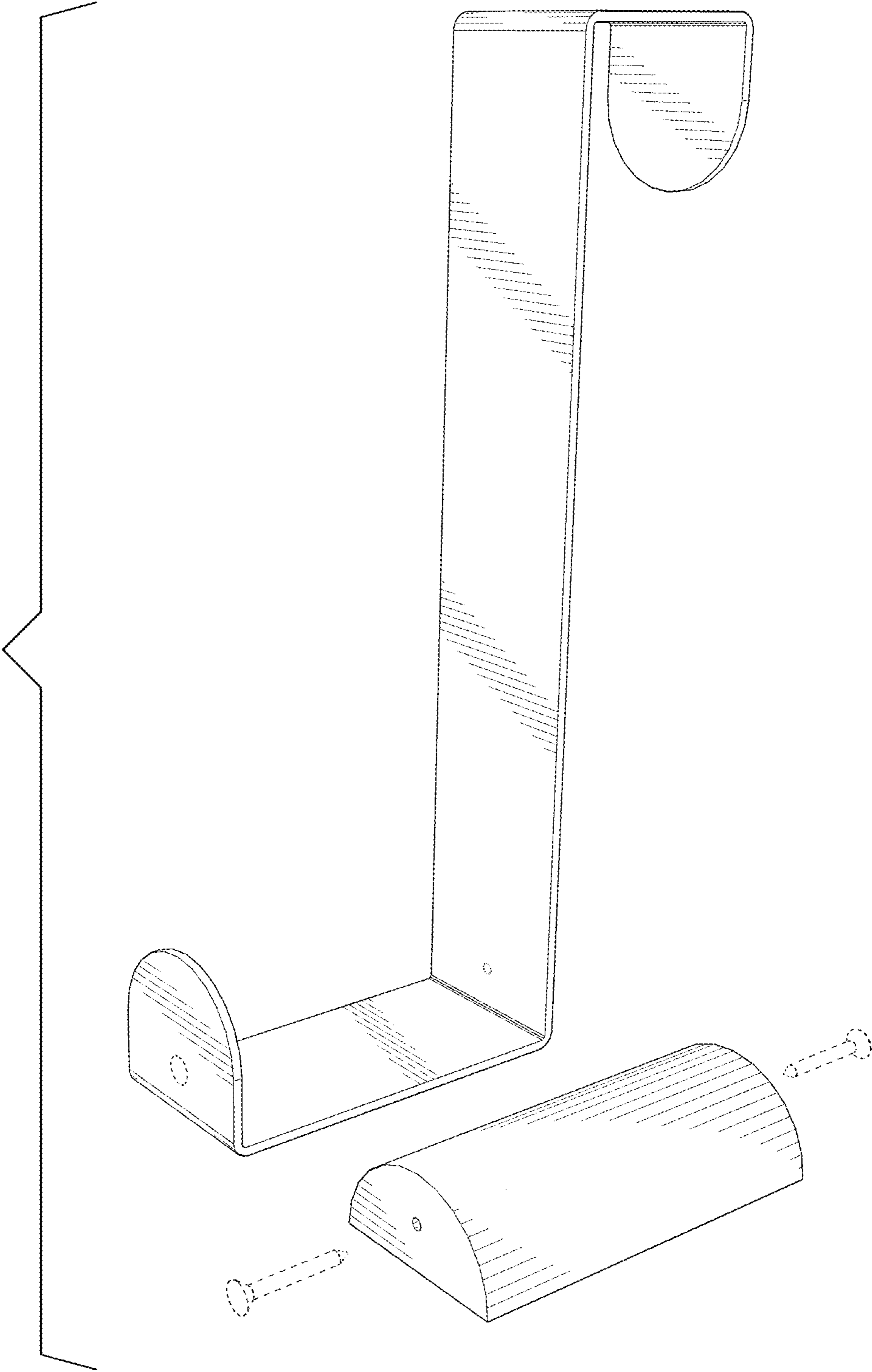


FIG. 10

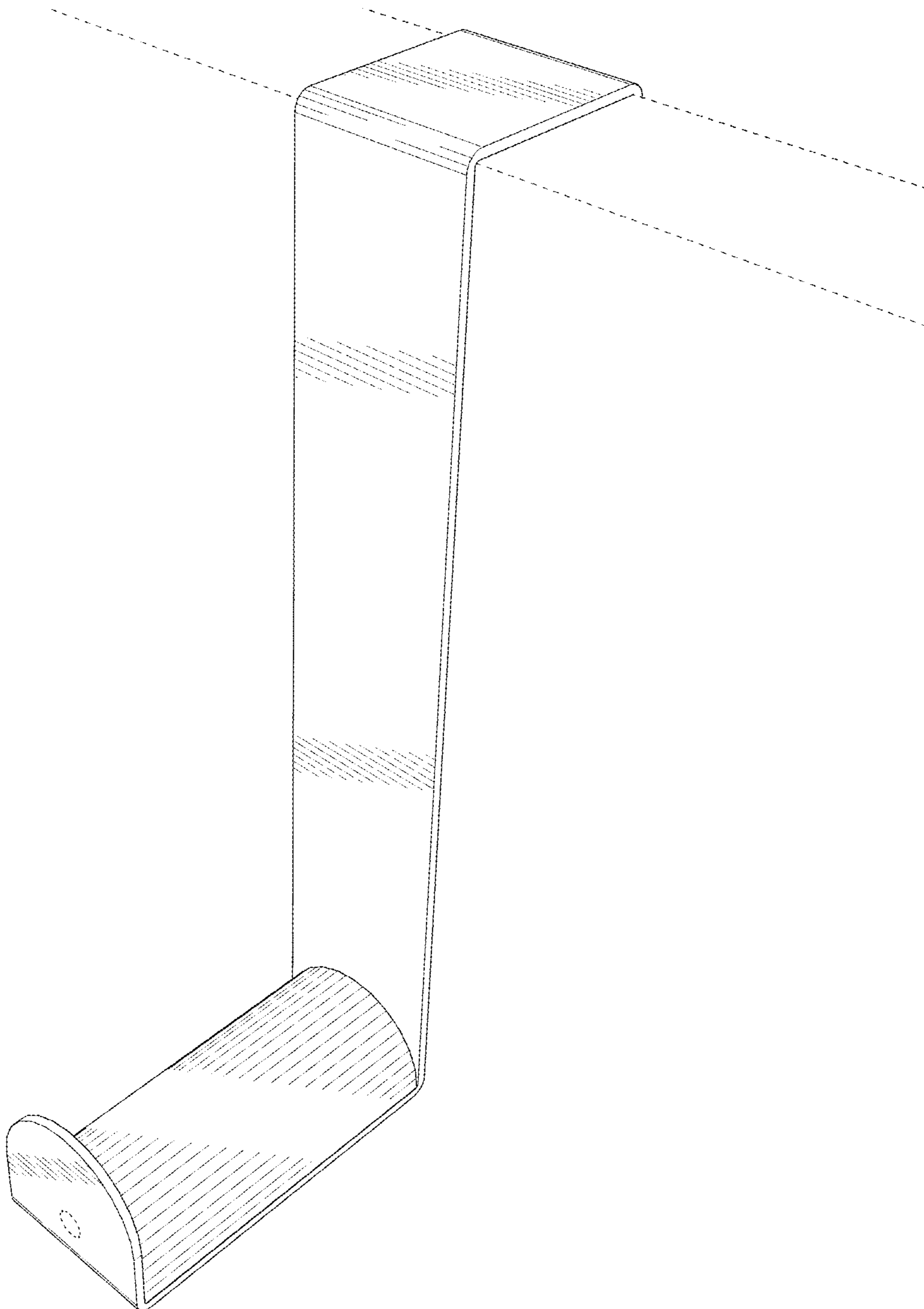


FIG. 11