



US00D982418S

(12) **United States Design Patent** (10) **Patent No.:** **US D982,418 S**  
**Wang et al.** (45) **Date of Patent:** **\*\* Apr. 4, 2023**

(54) **HOLDER**

(71) Applicant: **SHENZHEN XINGYINGDA INDUSTRY CO., LTD.**, Shenzhen (CN)

(72) Inventors: **Jun Wang**, Shenzhen (CN); **Yan Ke**, Shenzhen (CN)

(73) Assignee: **SHENZHEN XINGYINGDA INDUSTRY CO., LTD.**, Shenzhen (CN)

(\*\*) Term: **15 Years**

(21) Appl. No.: **29/844,076**

(22) Filed: **Jun. 27, 2022**

(51) **LOC (14) Cl.** ..... **08-05**

(52) **U.S. Cl.**  
USPC ..... **D8/355**

(58) **Field of Classification Search**  
USPC ..... D8/355; D14/251, 253  
CPC ..... G02B 7/00-002; G03B 17/56; G03B 17/561-566; H04N 5/2253-2254  
See application file for complete search history.

(56) **References Cited**

**U.S. PATENT DOCUMENTS**

D206,384 S \* 12/1966 Lindenmuth ..... D8/355  
D220,100 S \* 3/1971 Akin ..... D8/355  
D238,540 S \* 1/1976 Holly ..... D8/355  
4,458,870 A \* 7/1984 Duncan ..... A61G 5/10  
248/279.1

(Continued)

**FOREIGN PATENT DOCUMENTS**

CN 207990145 U 10/2018  
JP 0001136370 3/2002

(Continued)

*Primary Examiner* — Marissa J Cash

*Assistant Examiner* — Kayla Marie Bennett

(74) *Attorney, Agent, or Firm* — Nixon & Vanderhye, P.C.

(57) **CLAIM**

The ornamental design for a holder, as shown and described.

**DESCRIPTION**

FIG. 1 is a front perspective view of a first embodiment of a holder in a retracted configuration, showing our new design;

FIG. 2 is a front view thereof;

FIG. 3 is a rear view thereof;

FIG. 4 is a top view thereof;

FIG. 5 is a bottom view thereof;

FIG. 6 is a right side view thereof;

FIG. 7 is a left side view thereof;

FIG. 8 is a rear perspective view thereof;

FIG. 9 is a front perspective view thereof, shown in an environmental use;

FIG. 10 is a front perspective view thereof, with the rotatable arm in a first position;

FIG. 11 is a front view thereof, with the rotatable arm in a second position;

FIG. 12 is a front view thereof, with the rotatable arm in a third position;

FIG. 13 is a front perspective view of a second embodiment of a holder in an extended configuration, showing our new design;

FIG. 14 is a front view thereof;

FIG. 15 is a rear view thereof;

FIG. 16 is a top view thereof;

FIG. 17 is a bottom view thereof;

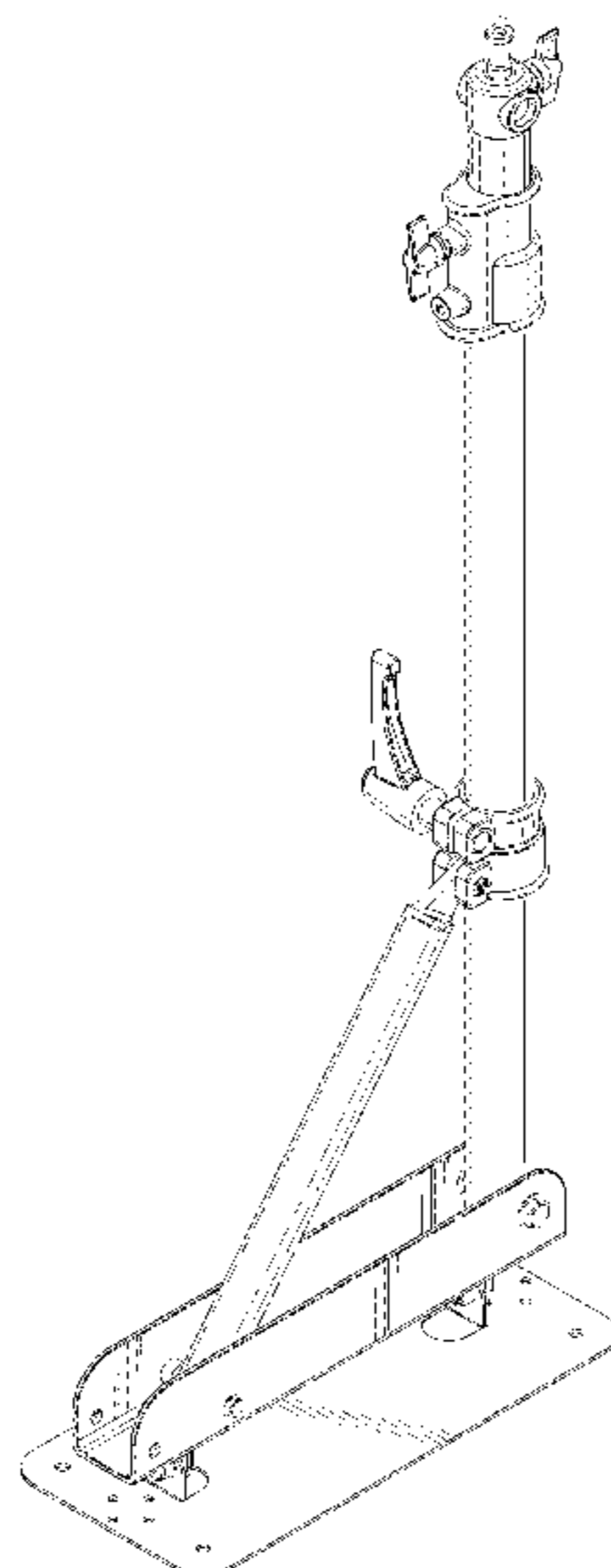
FIG. 18 is a right view thereof;

FIG. 19 is a left view thereof; and,

FIG. 20 is a rear perspective view thereof.

The broken lines in the drawings illustrate the environment of the claimed design, and form no part thereof.

**1 Claim, 18 Drawing Sheets**



(56)

**References Cited**

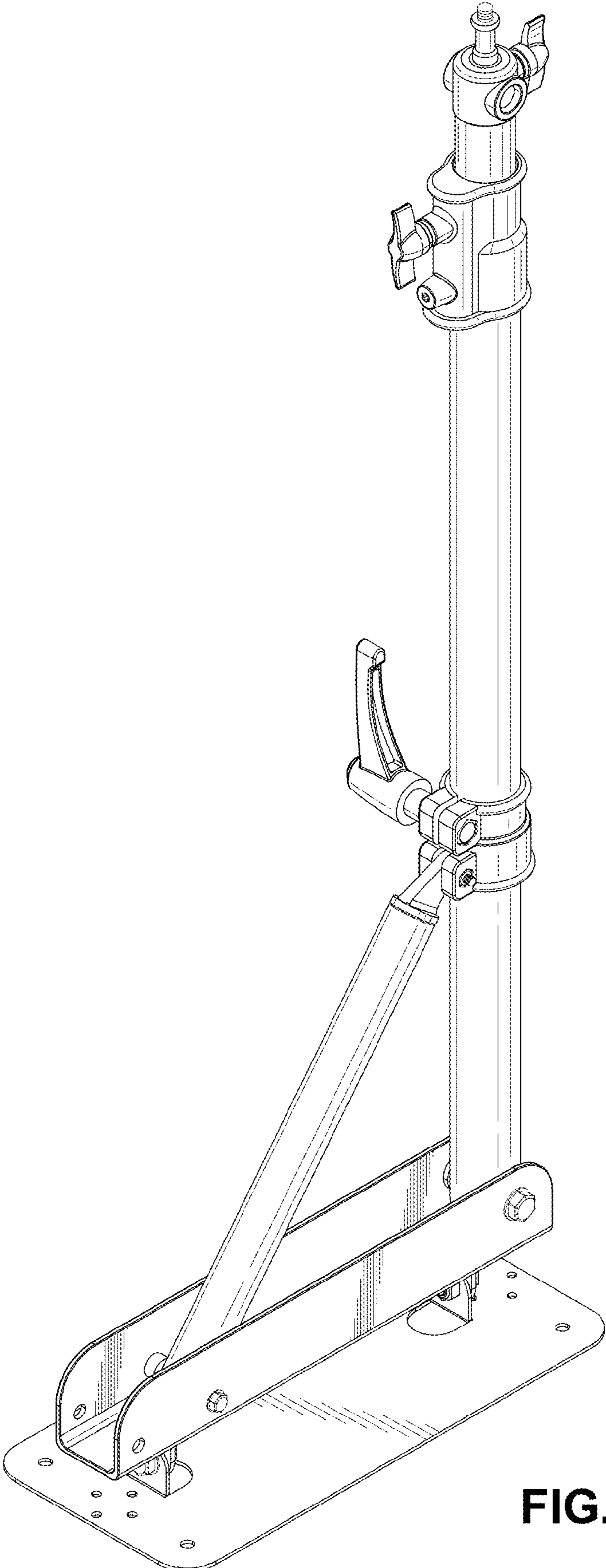
U.S. PATENT DOCUMENTS

D303,018	S		8/1989	Yates	
D317,687	S	*	6/1991	Fabius .....	D14/452
D331,529	S	*	12/1992	Reinklou .....	D8/355
D337,333	S	*	7/1993	Turk .....	D8/355
D345,905	S	*	4/1994	Hallgren .....	D8/355
D347,160	S	*	5/1994	Hallgren .....	D8/355
D429,251	S	*	8/2000	Sundy .....	D14/457
D432,694	S	*	10/2000	Huang .....	D26/65
6,257,631	B1	*	7/2001	Sokurenko .....	E05C 19/14 292/DIG. 49
D549,063	S	*	8/2007	Pribyl .....	D8/73
D612,712	S	*	3/2010	Rix .....	D16/242
D670,752	S	*	11/2012	Barber .....	D16/244
D728,001	S	*	4/2015	Zhan .....	D16/243
D748,183	S	*	1/2016	Polito .....	D16/242
D794,427	S	*	8/2017	Ravaioli .....	D8/355
D858,257	S	*	9/2019	Yang .....	D8/355
D888,812	S	*	6/2020	Blatz .....	D16/242
D930,886	S	*	9/2021	Xiao .....	D16/244
D940,228	S	*	1/2022	Ke .....	D16/241
D943,049	S	*	2/2022	Roberts .....	D22/108
2005/0213201	A1	*	9/2005	Zimmermann .....	G02B 21/24 359/368
2007/0292093	A1	*	12/2007	Bergeron .....	G06E 3/001 385/135

FOREIGN PATENT DOCUMENTS

JP		0001264397	S	3/2006
KR		3008750820000	S	10/2016
KR		3009558400000	S	5/2018
KR		3010100410000	S	6/2019

\* cited by examiner



**FIG. 1**

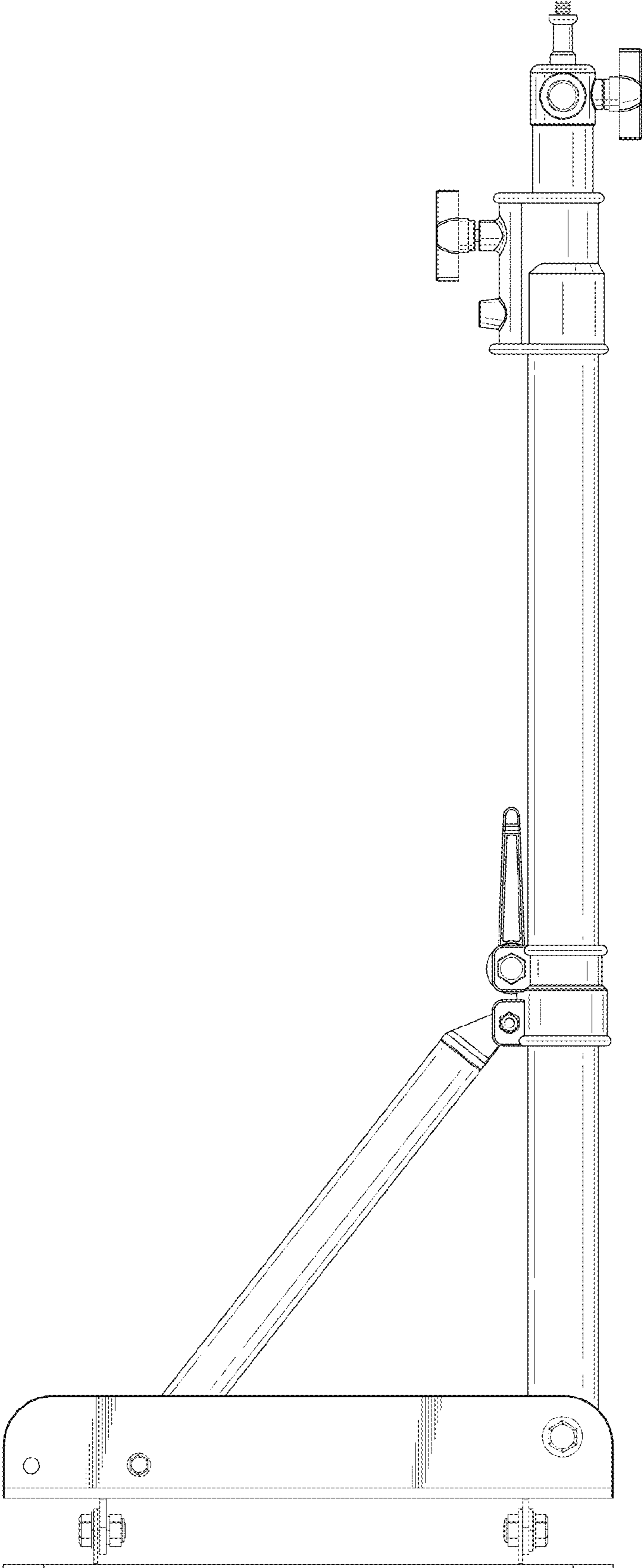


FIG. 2

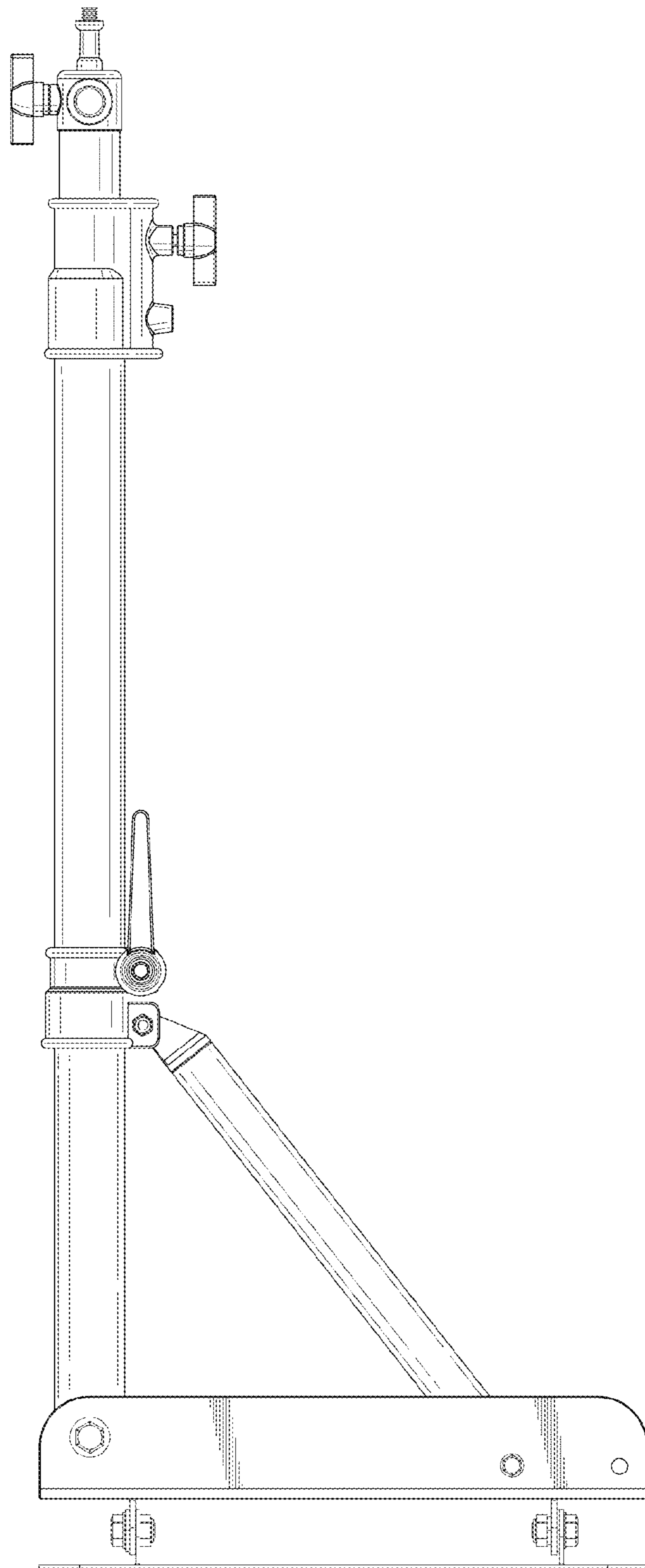
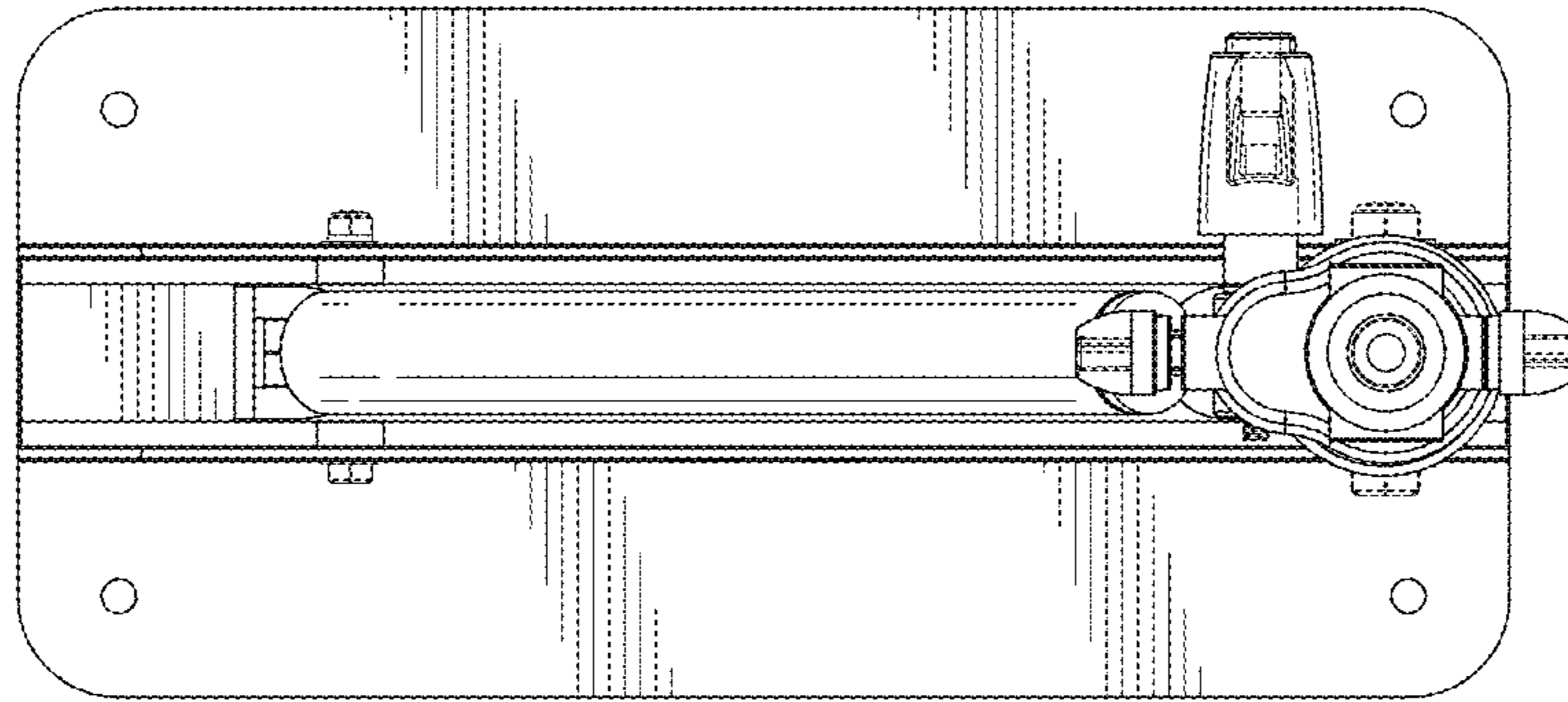
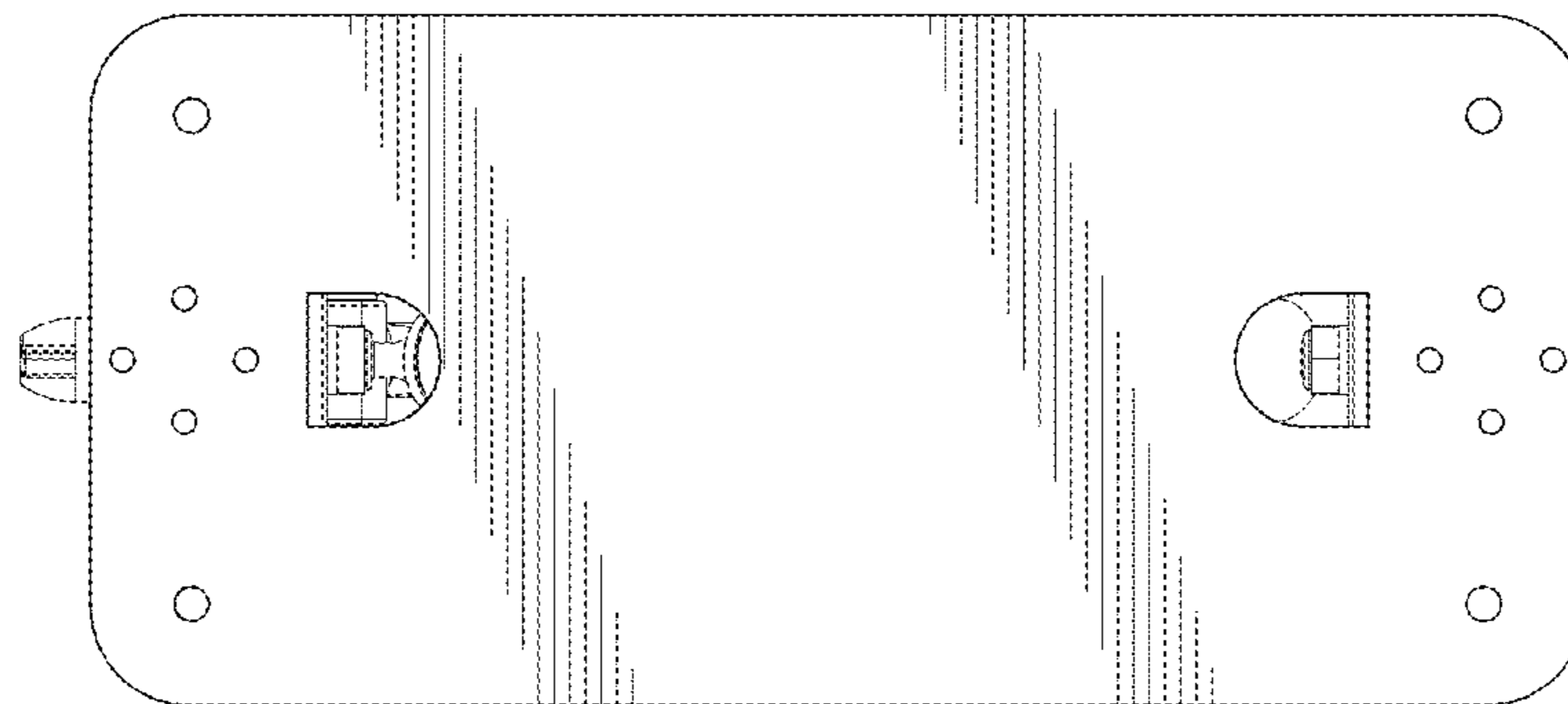


FIG. 3



**FIG. 4**



**FIG. 5**

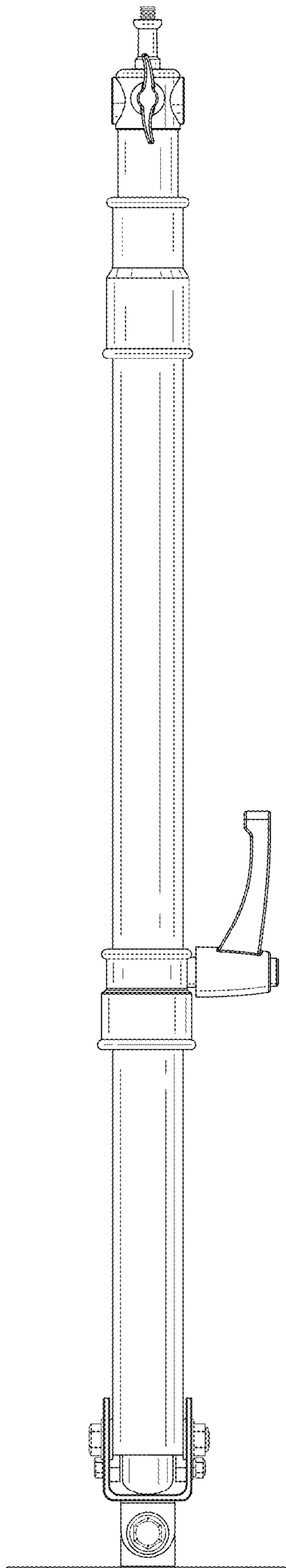


FIG. 6

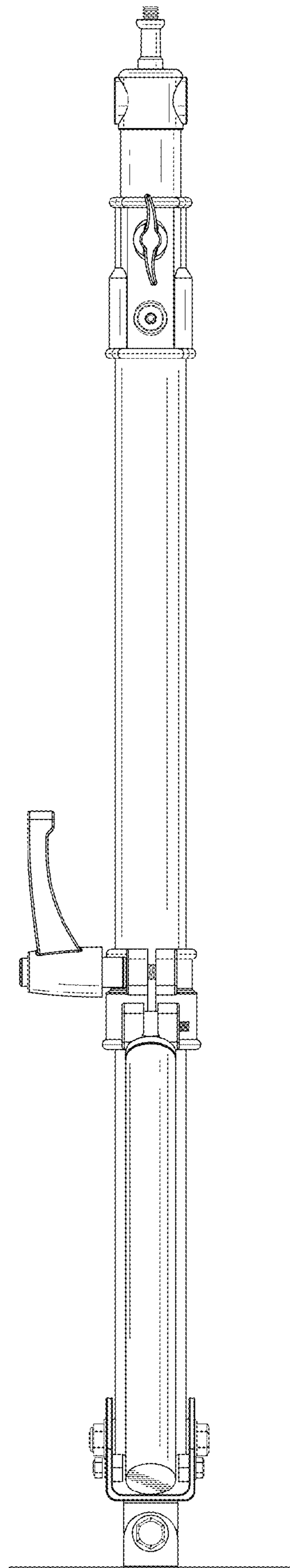


FIG. 7



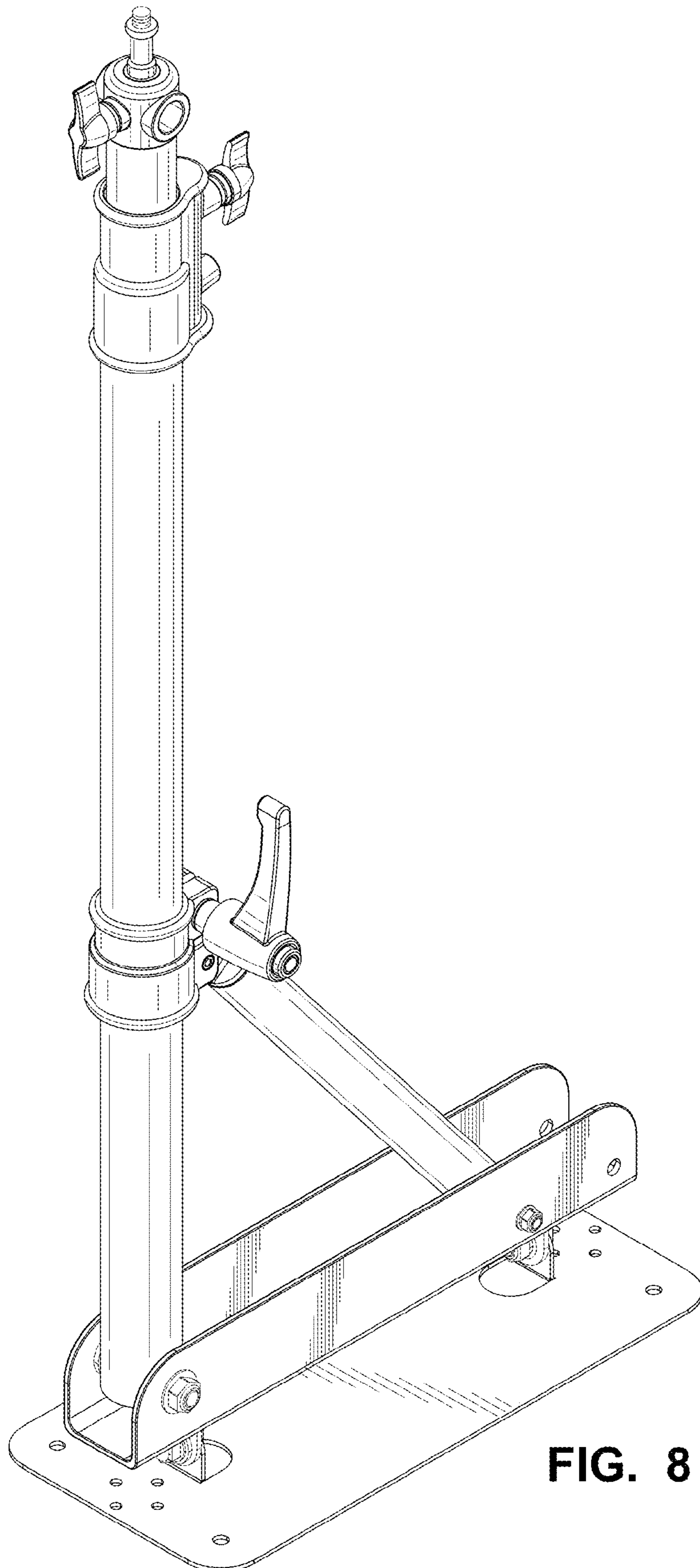


FIG. 8

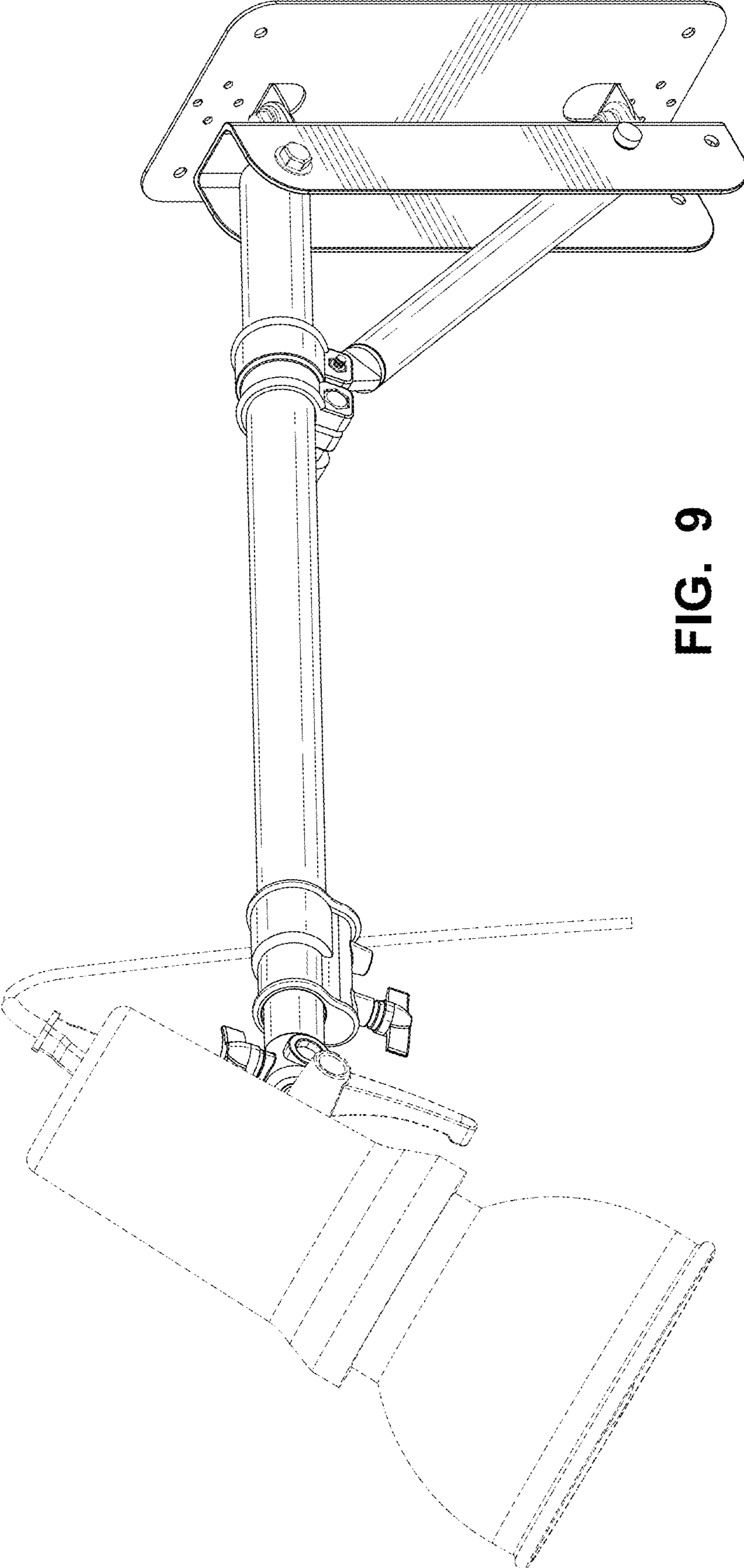


FIG. 9

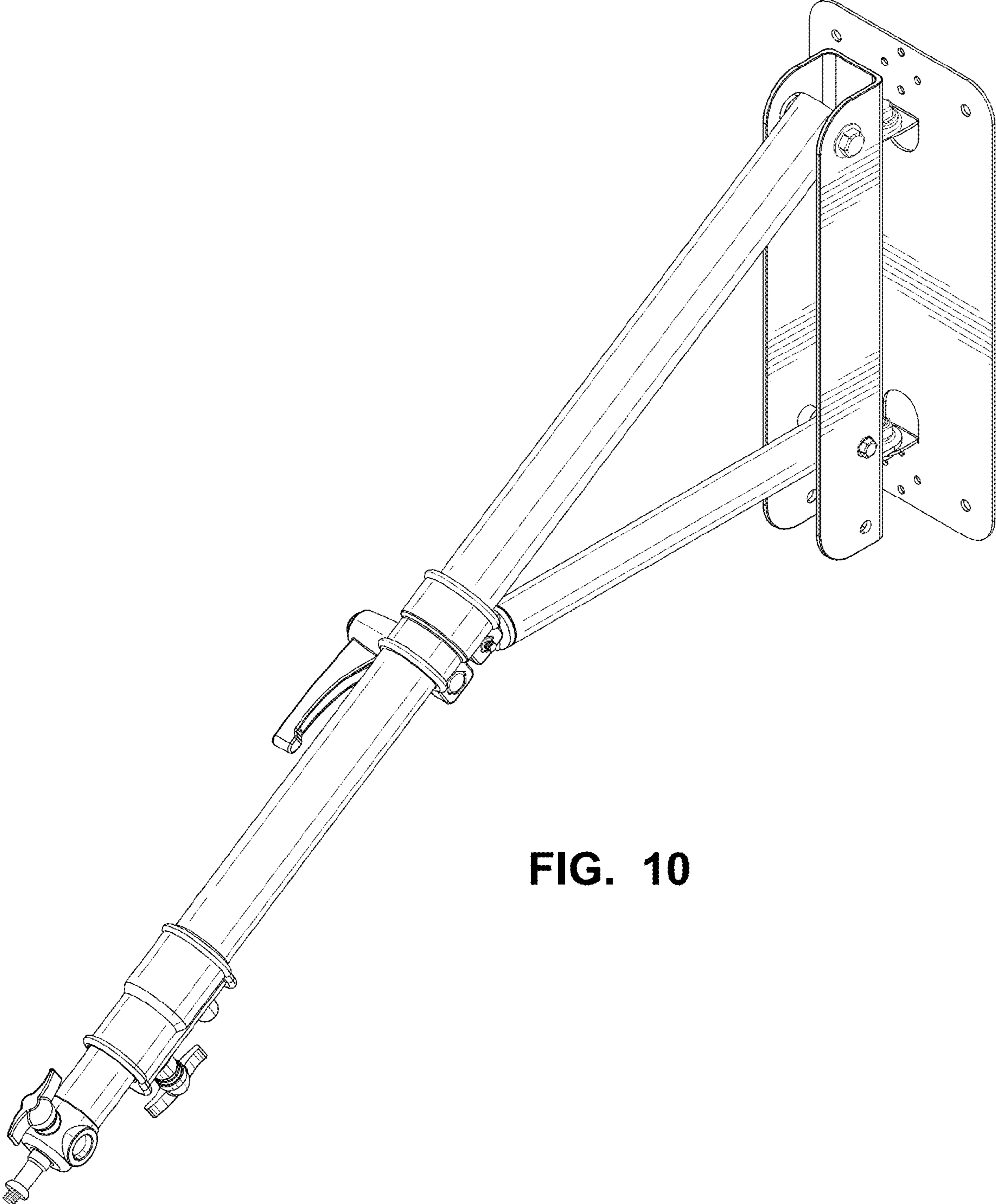


FIG. 10

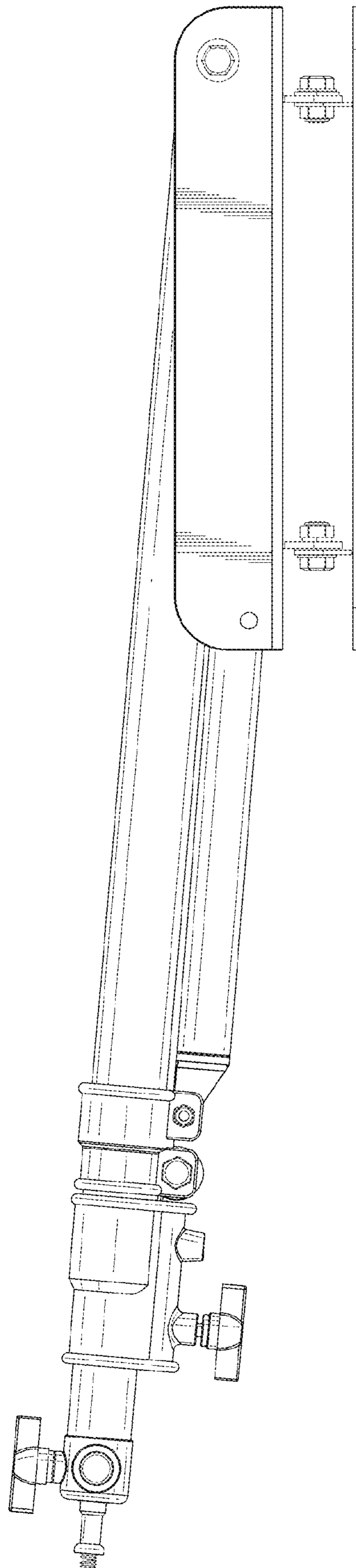


FIG. 11

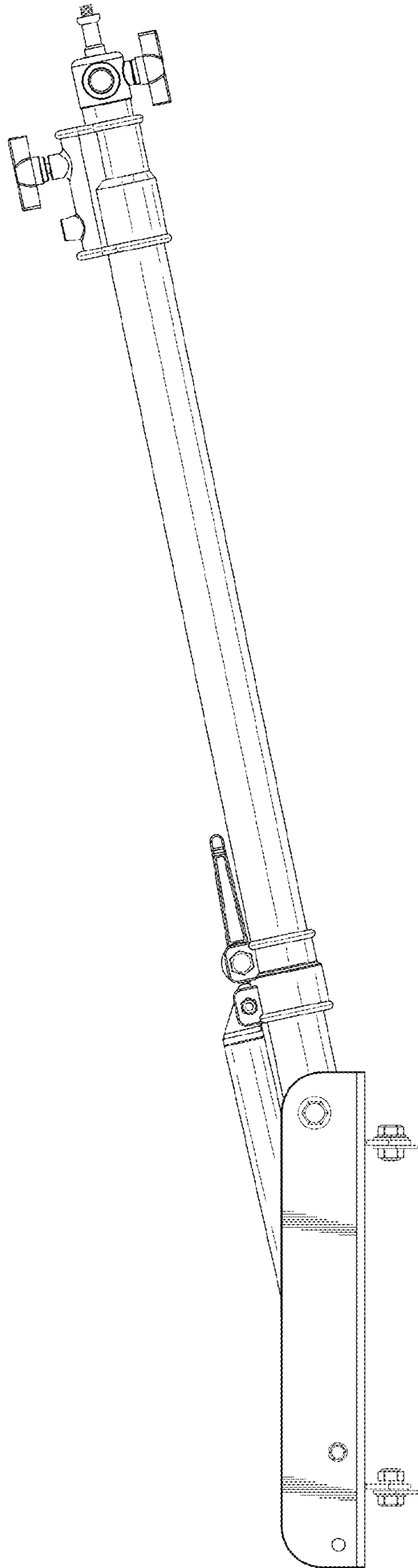


FIG. 12

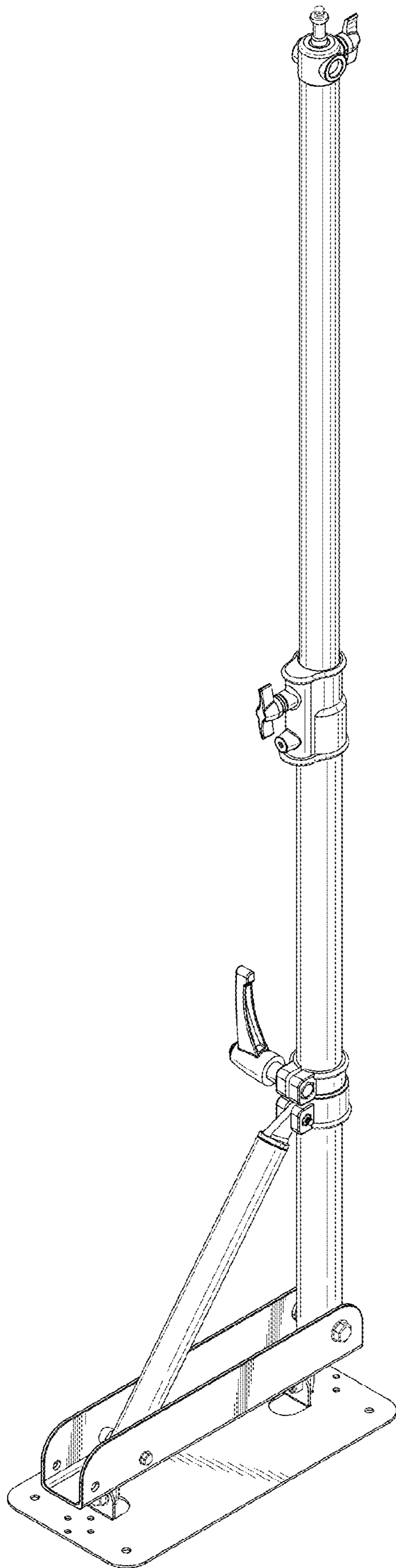


FIG. 13

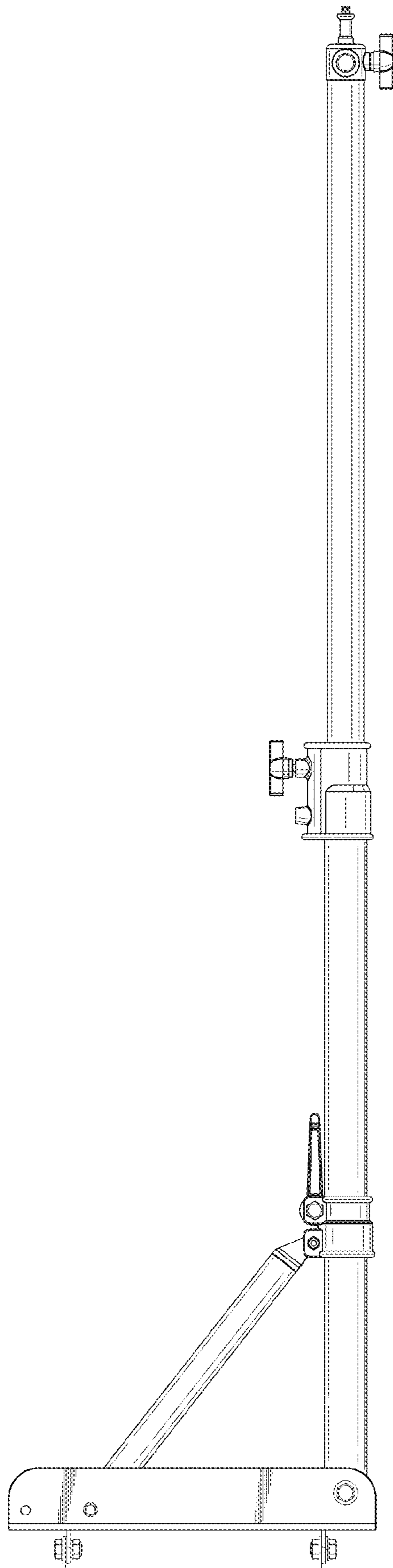
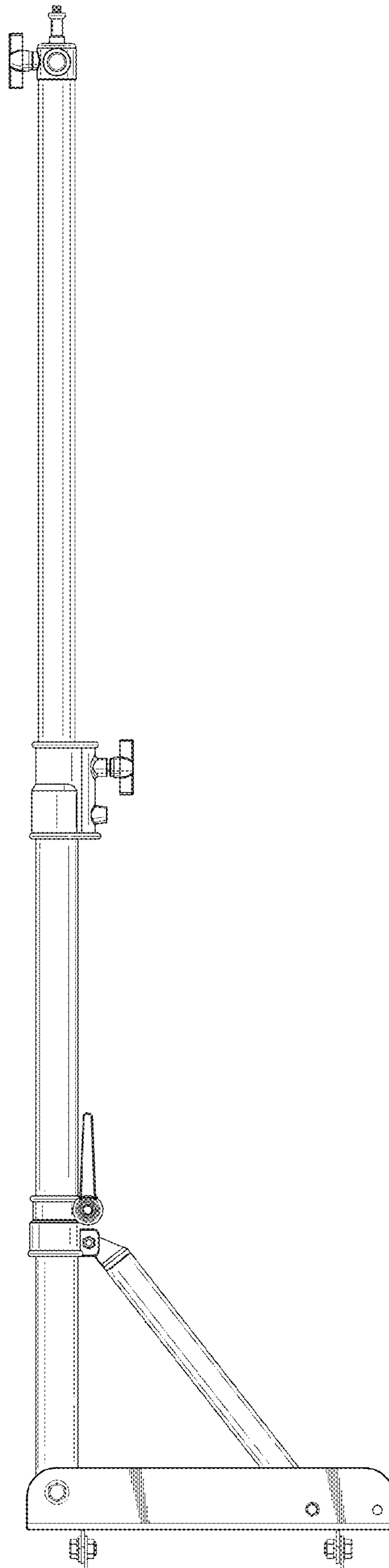
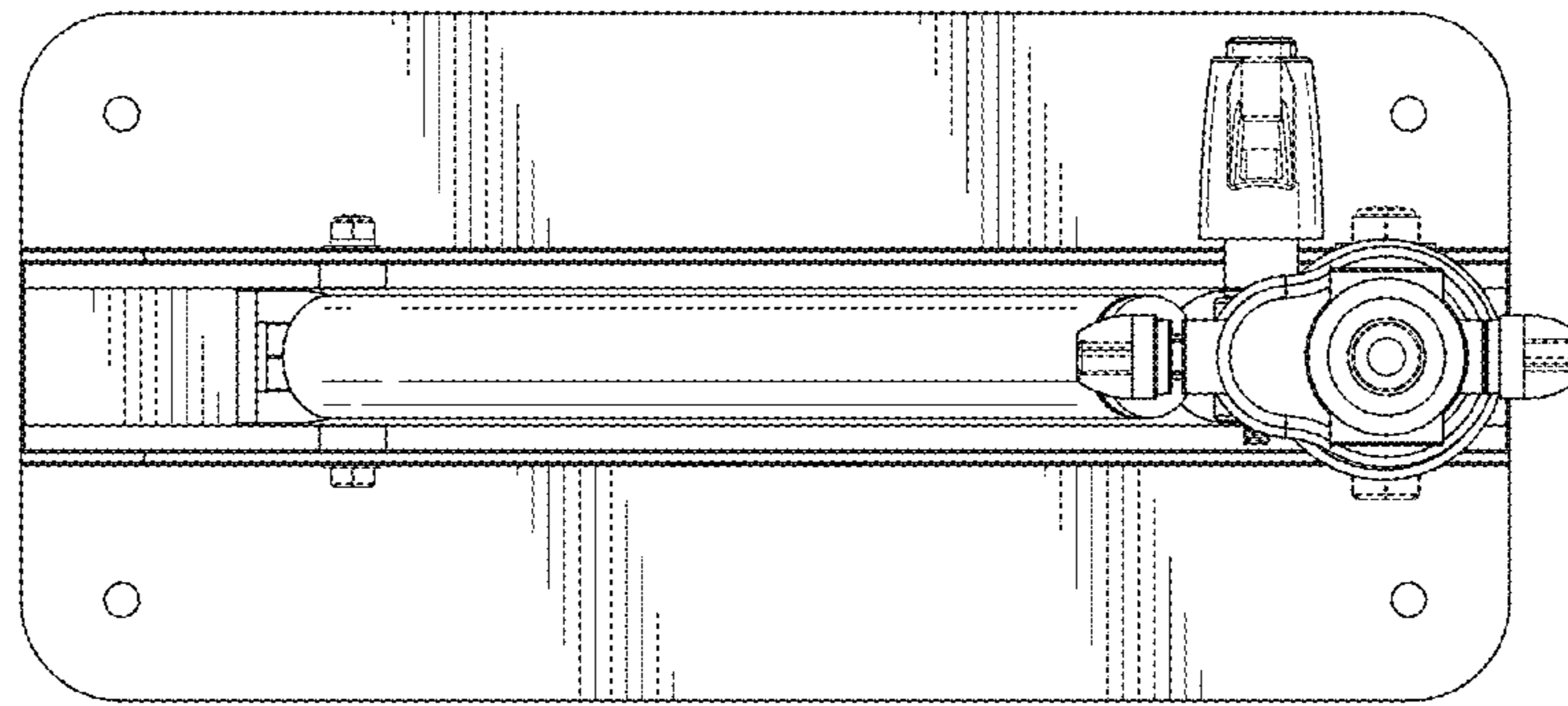


FIG. 14

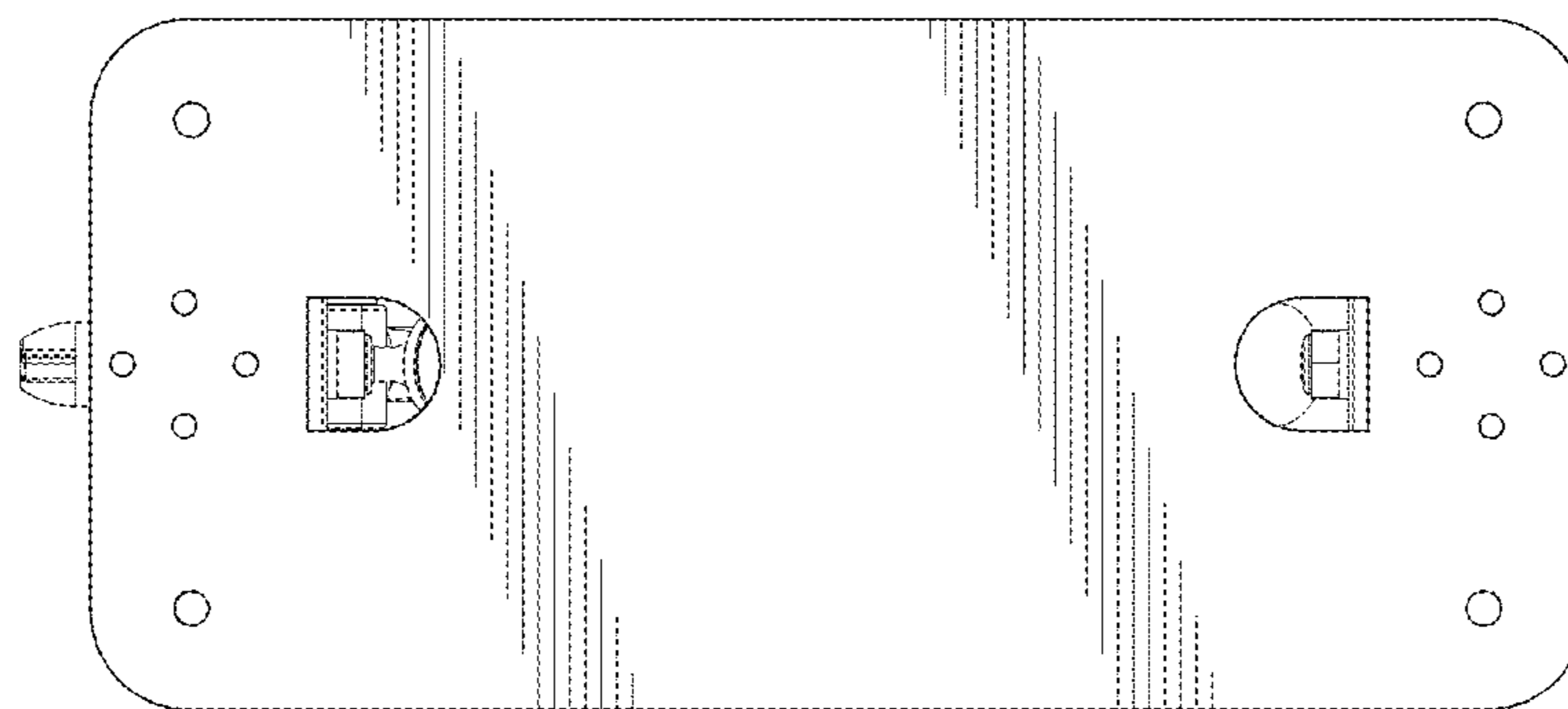


**FIG. 15**





**FIG. 16**



**FIG. 17**

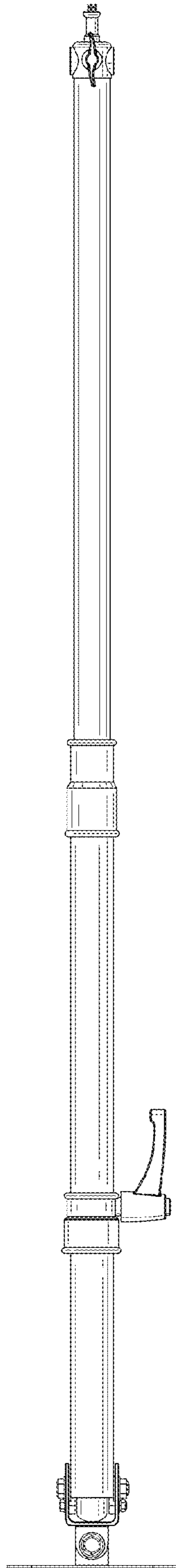


FIG. 18

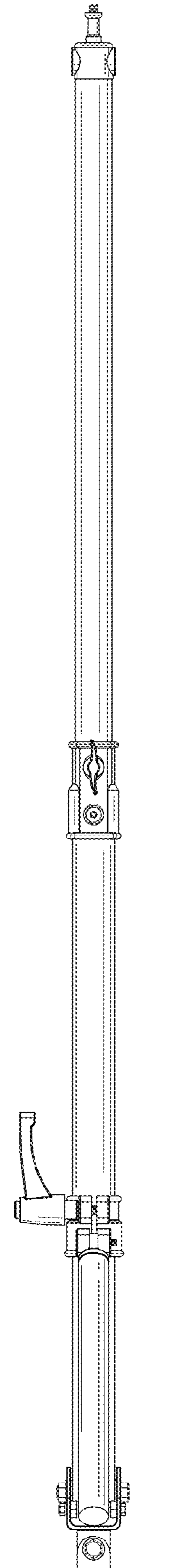


FIG. 19

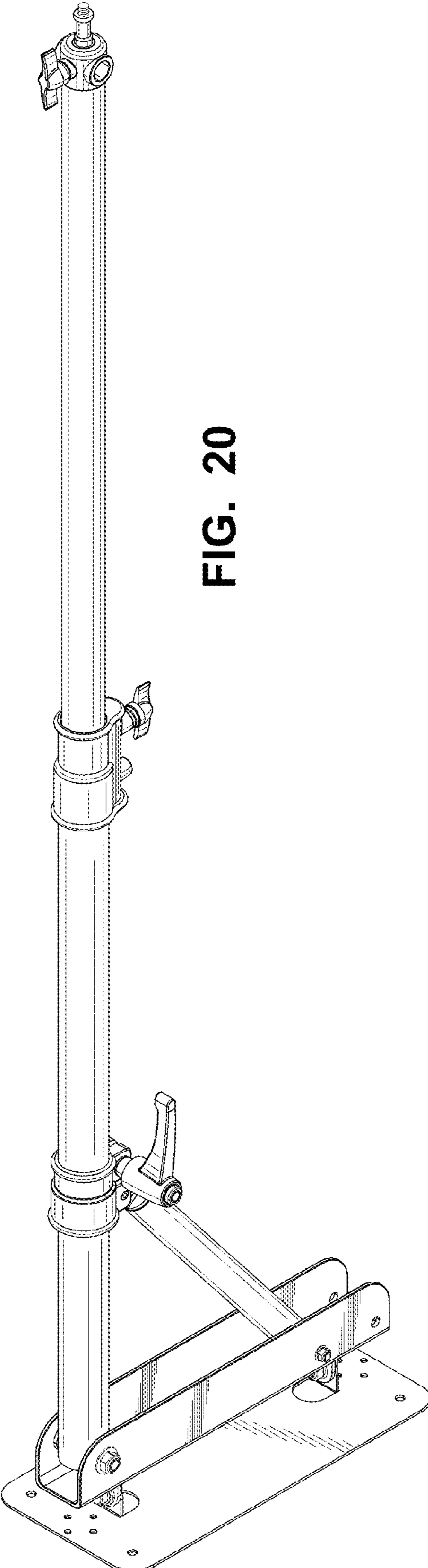


FIG. 20