



US00D982417S

(12) **United States Design Patent**  
**Johnson et al.**

(10) **Patent No.:** **US D982,417 S**

(45) **Date of Patent:** **\*\* Apr. 4, 2023**

- (54) **FASTENER**
- (71) Applicant: **Illinois Tool Works Inc.**, Glenview, IL (US)
- (72) Inventors: **Allande Johnson**, Chennai (IN); **Mahantesh Gokavi**, Pune (IN); **Satish Jadhav**, Pune (IN)
- (73) Assignee: **Illinois Tool Works Inc.**, Glenview, IL (US)
- (\*\*) Term: **15 Years**
- (21) Appl. No.: **29/756,309**
- (22) Filed: **Oct. 27, 2020**
- (51) **LOC (14) Cl.** ..... **08-05**
- (52) **U.S. Cl.**  
USPC ..... **D8/354**; D8/356
- (58) **Field of Classification Search**  
USPC ..... D8/382, 383, 394, 395, 330, 331, 339, D8/341, 342, 356; D13/154; D23/265  
CPC ..... F16B 2/02; F16B 2/04; F16B 2/06; F16B 2/20; F16B 2/22; F16B 2/246  
See application file for complete search history.

(56) **References Cited**

**U.S. PATENT DOCUMENTS**

D186,435 S	*	10/1959	Wilson	.....	D8/395
D428,326 S	*	7/2000	Nakamura	.....	D8/356
D570,205 S	*	6/2008	Baxter	.....	D8/395
D571,195 S	*	6/2008	Larsen	.....	D8/394
D577,634 S	*	9/2008	Lundh	.....	D8/382
D696,106 S	*	12/2013	Tachibana	.....	D8/395
D759,476 S	*	6/2016	Iwahara	.....	D8/395
D822,476 S	*	7/2018	Haftarski	.....	D8/398

2013/0221185	A1*	8/2013	Ogawa	.....	F16B 2/02 248/634
2014/0259565	A1*	9/2014	Hirama	.....	F16L 55/035 24/455
2015/0003897	A1*	1/2015	Hunt	.....	F16L 3/00 403/187
2017/0037885	A1*	2/2017	Smullen	.....	A47K 10/14
2018/0058484	A1*	3/2018	Marshman	.....	F16B 5/065

\* cited by examiner

*Primary Examiner* — Calvin E Vansant

*Assistant Examiner* — Benjamin Lucas Gray

(74) *Attorney, Agent, or Firm* — Quarles & Brady LLP

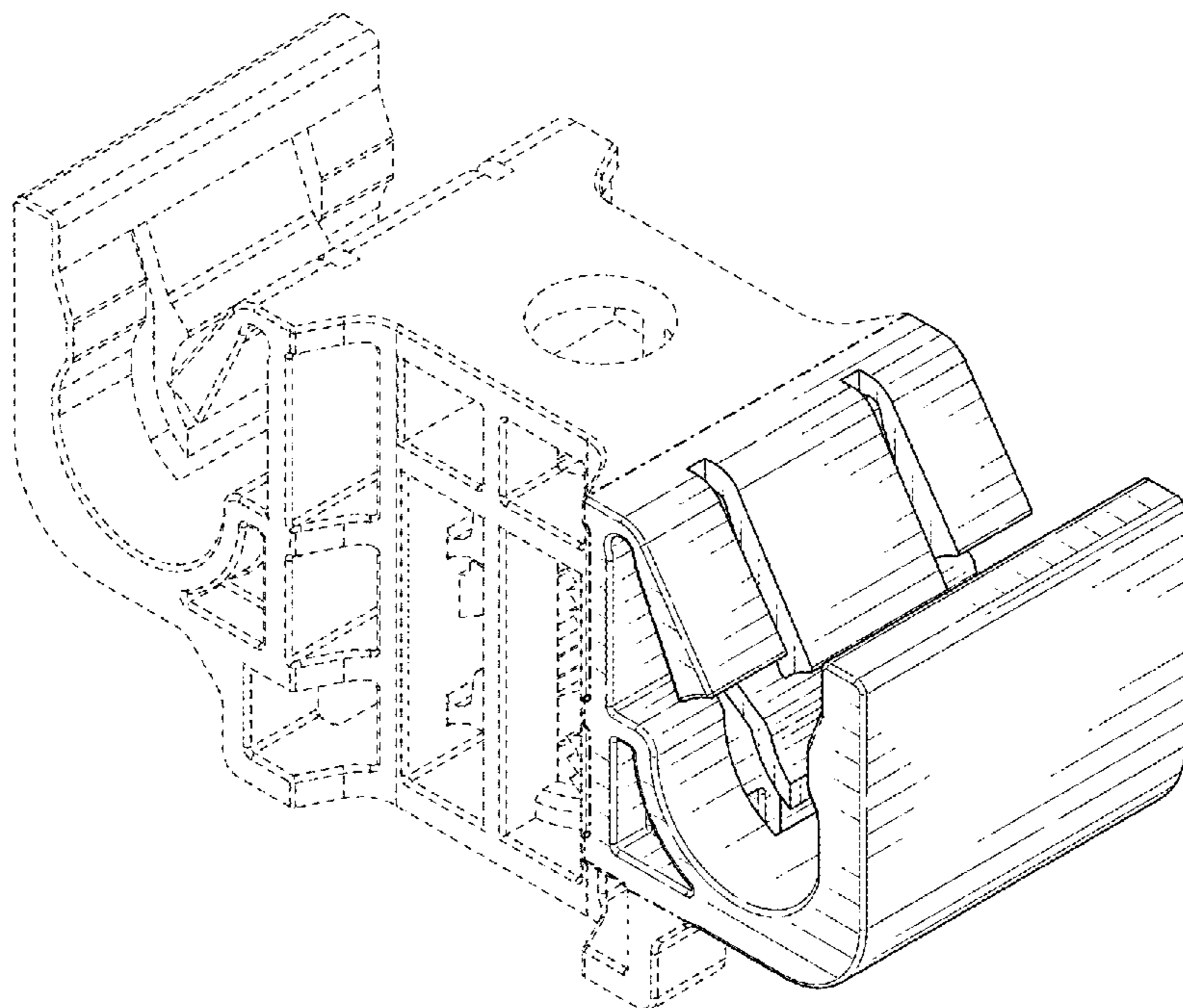
(57) **CLAIM**

The ornamental design for a fastener, as shown and described.

**DESCRIPTION**

FIG. 1 is an isometric view of a top, front, and left side of an ornamental design for a fastener;  
 FIG. 2 is another isometric view of the top, front, and left side of the fastener of FIG. 1;  
 FIG. 3 is a front elevational view of the fastener of FIG. 1;  
 FIG. 4 is a rear elevational view of the fastener of FIG. 1;  
 FIG. 5 is a right side elevational view of the fastener of FIG. 1;  
 FIG. 6 is a left side elevational view of the fastener of FIG. 1;  
 FIG. 7 is a top plan view of the fastener of FIG. 1; and,  
 FIG. 8 is a bottom plan view of the fastener of FIG. 1.  
 The dash-dash-dash broken lines are included for the purpose of illustrating portions that form no part of the claimed design. The dash-dot-dash lines depict boundary lines and form no part of the claimed design.

**1 Claim, 4 Drawing Sheets**



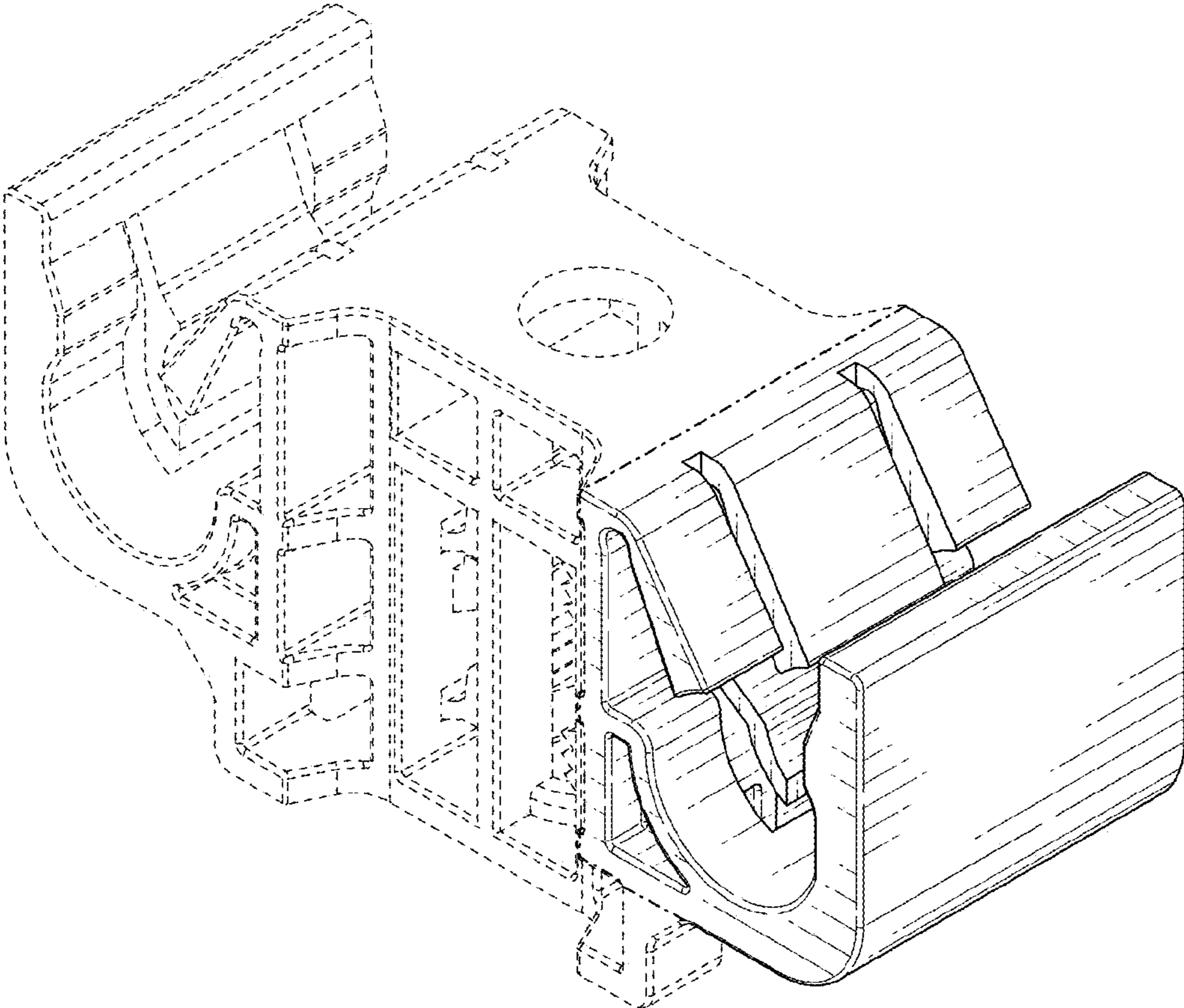


FIG. 1

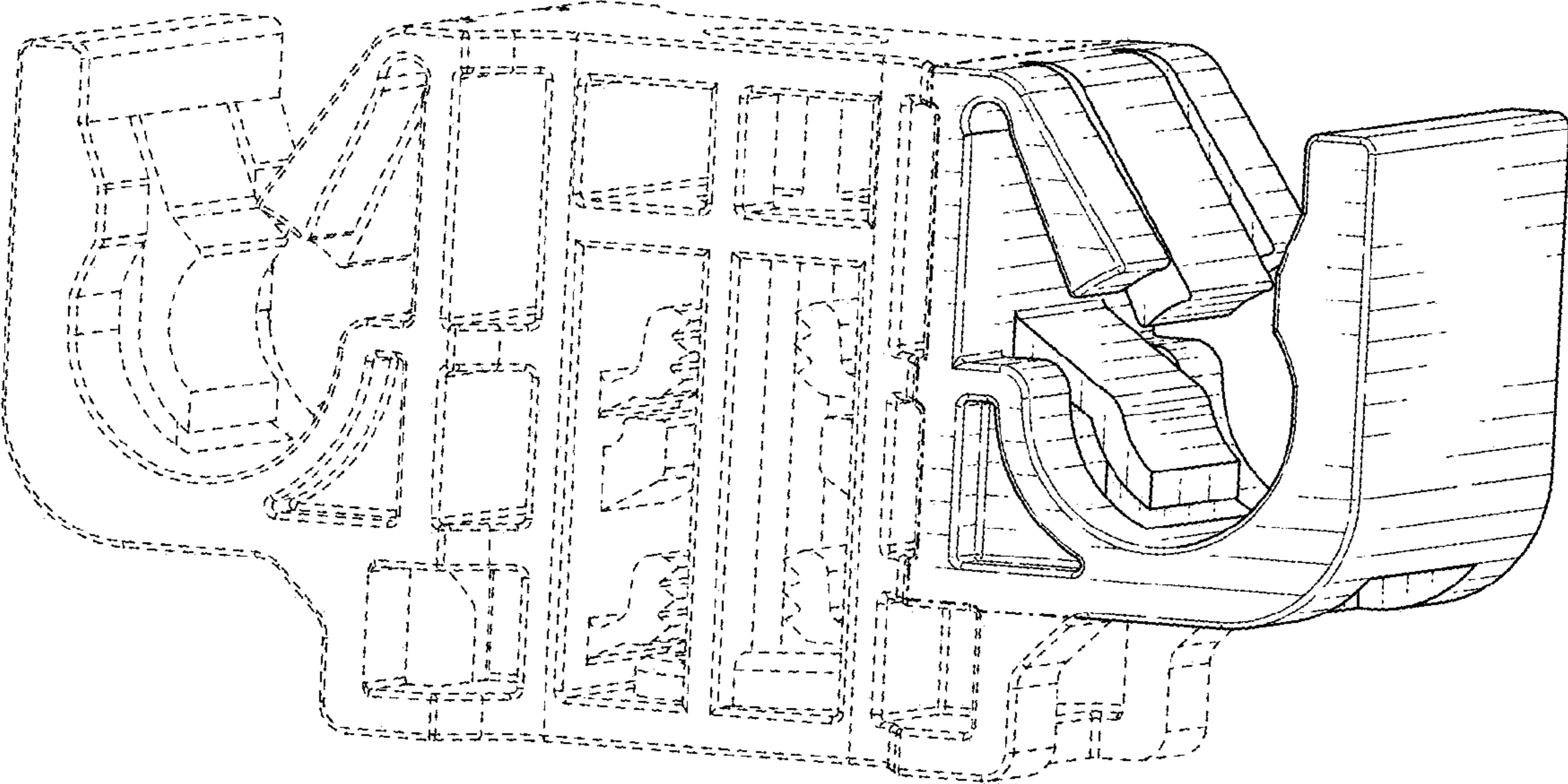


FIG. 2



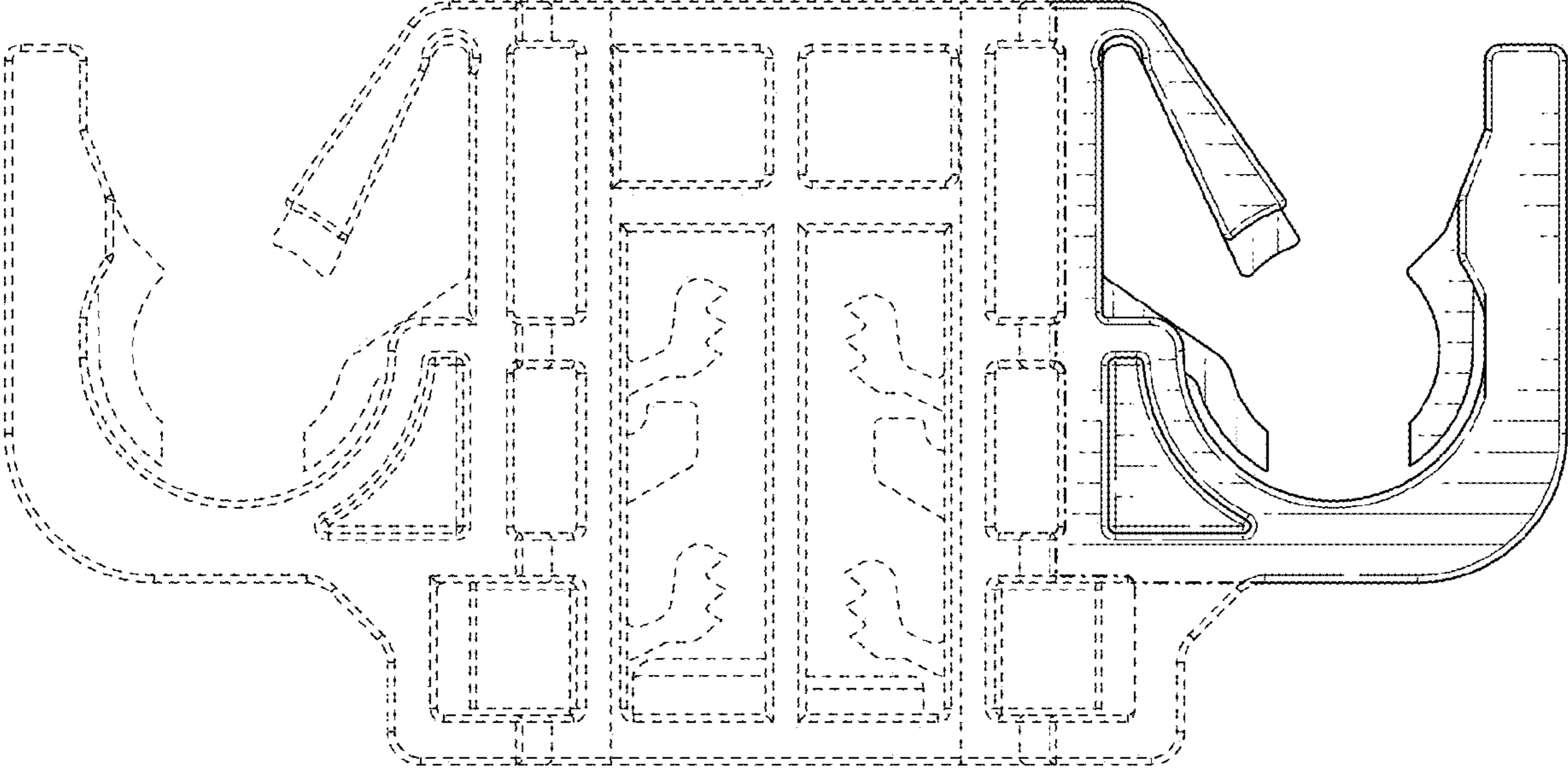


FIG. 3

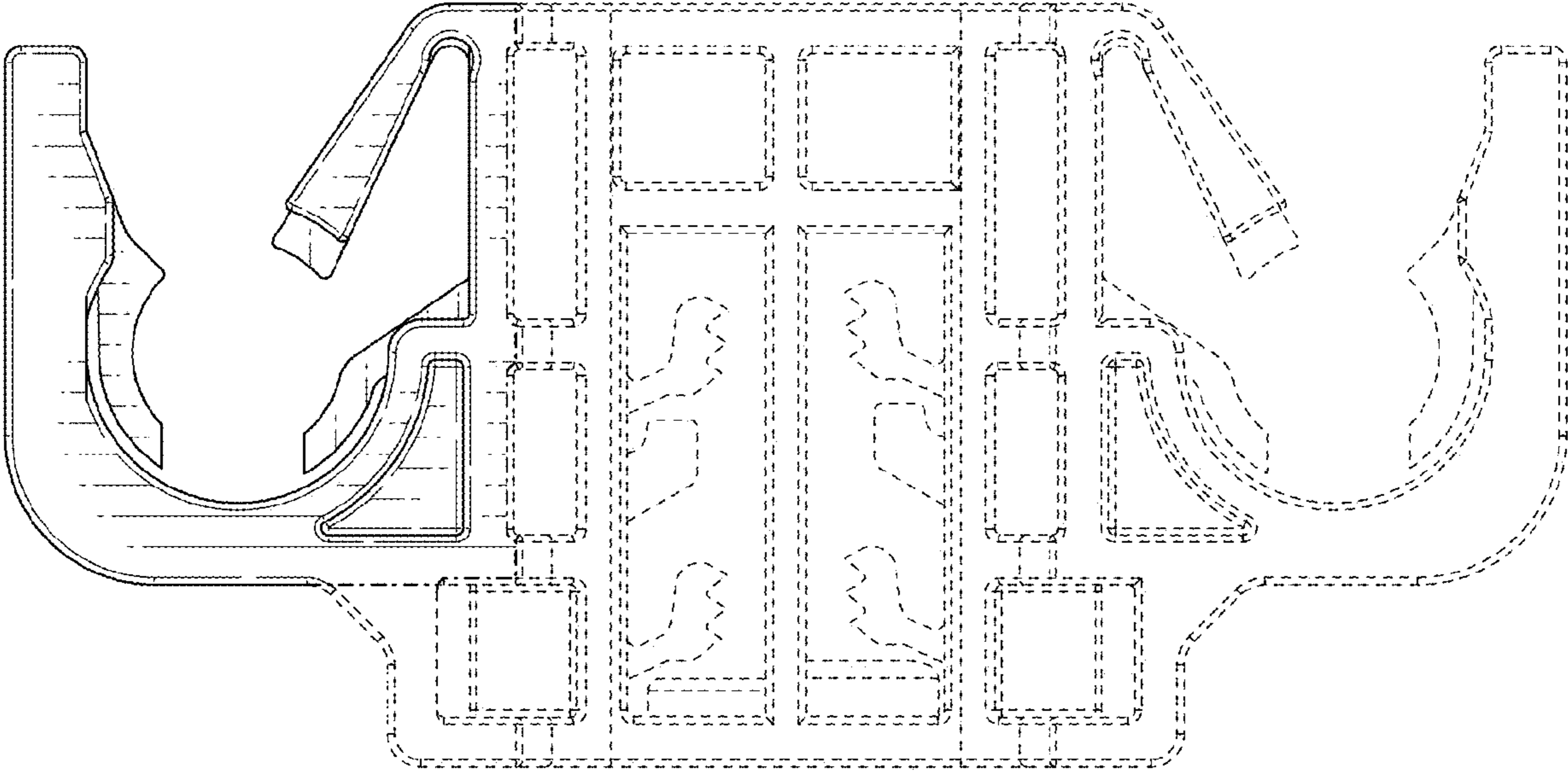


FIG. 4

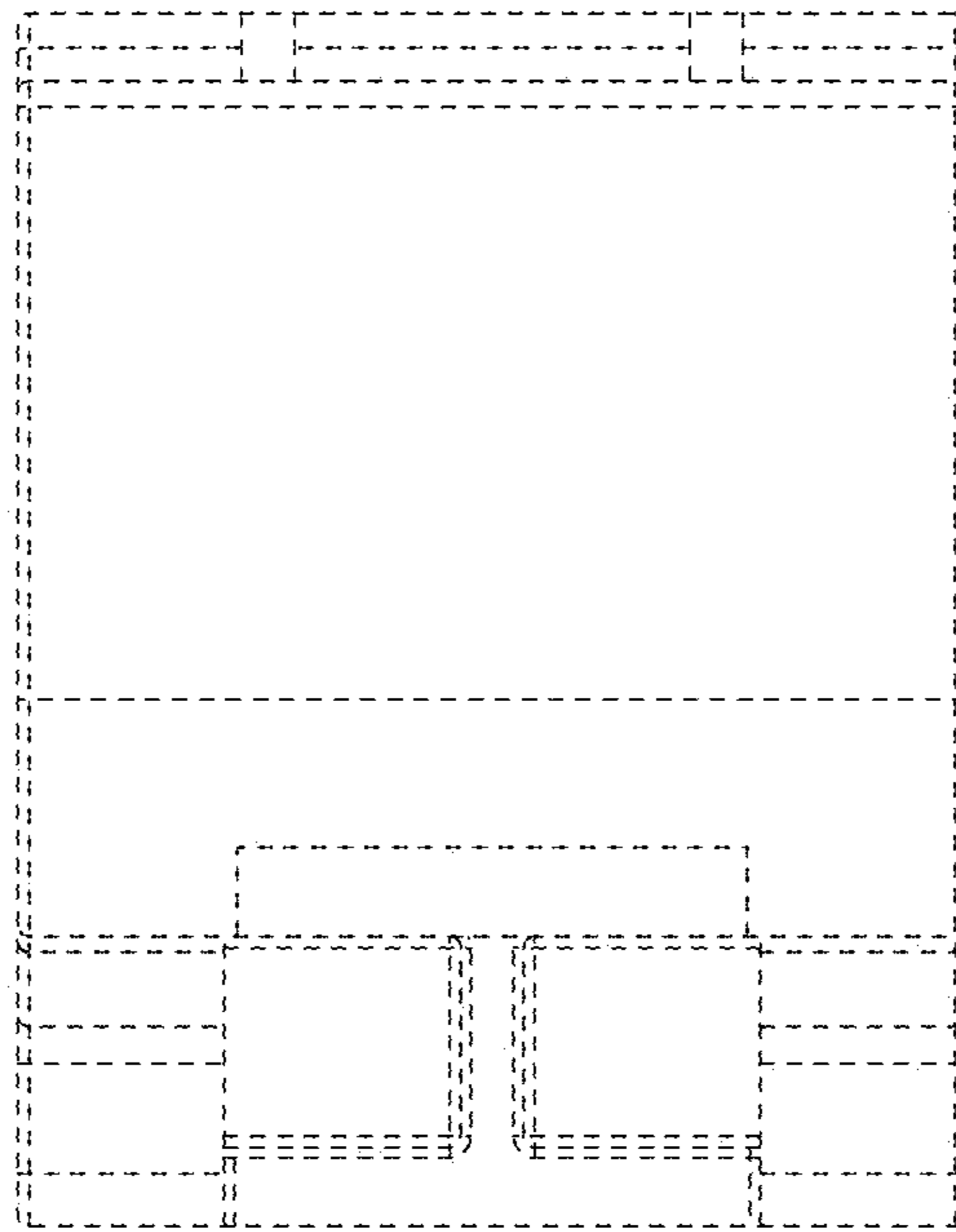


FIG. 5

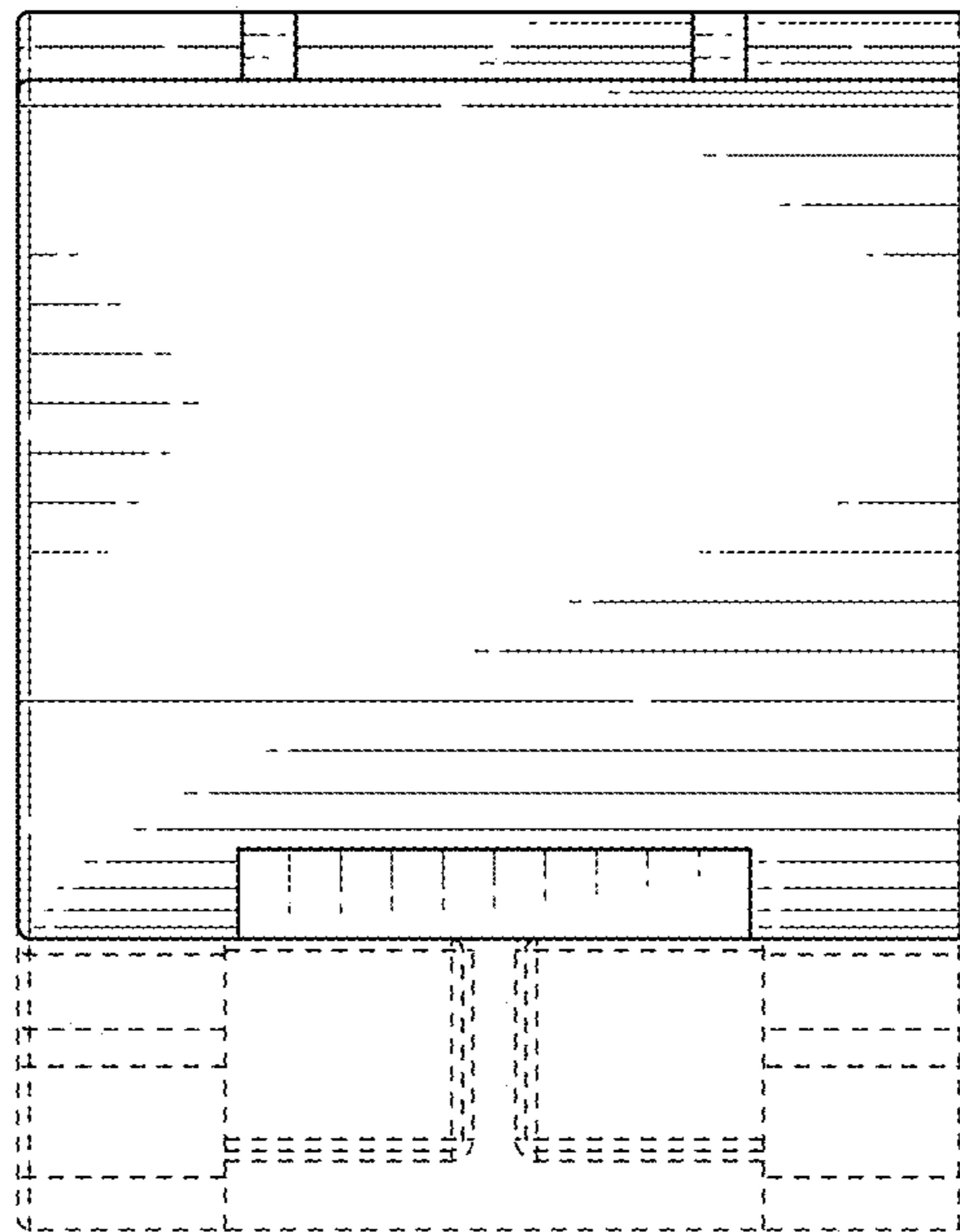


FIG. 6

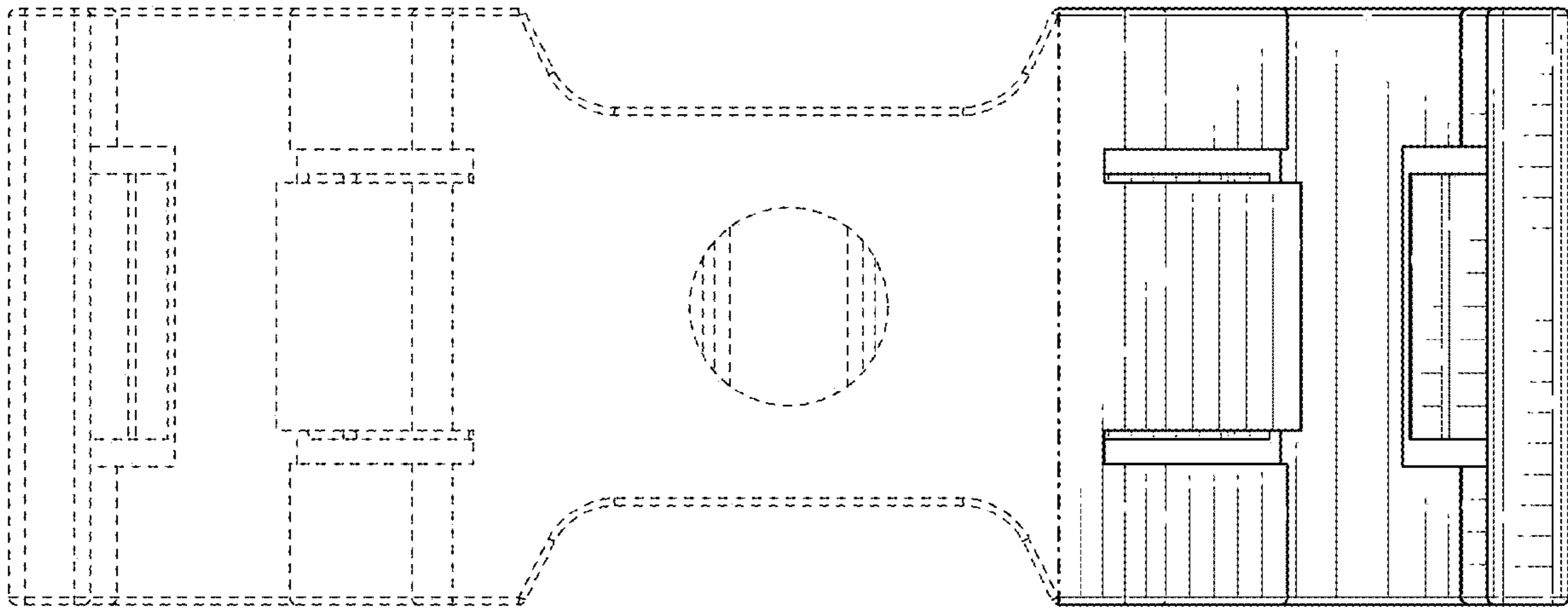


FIG. 7

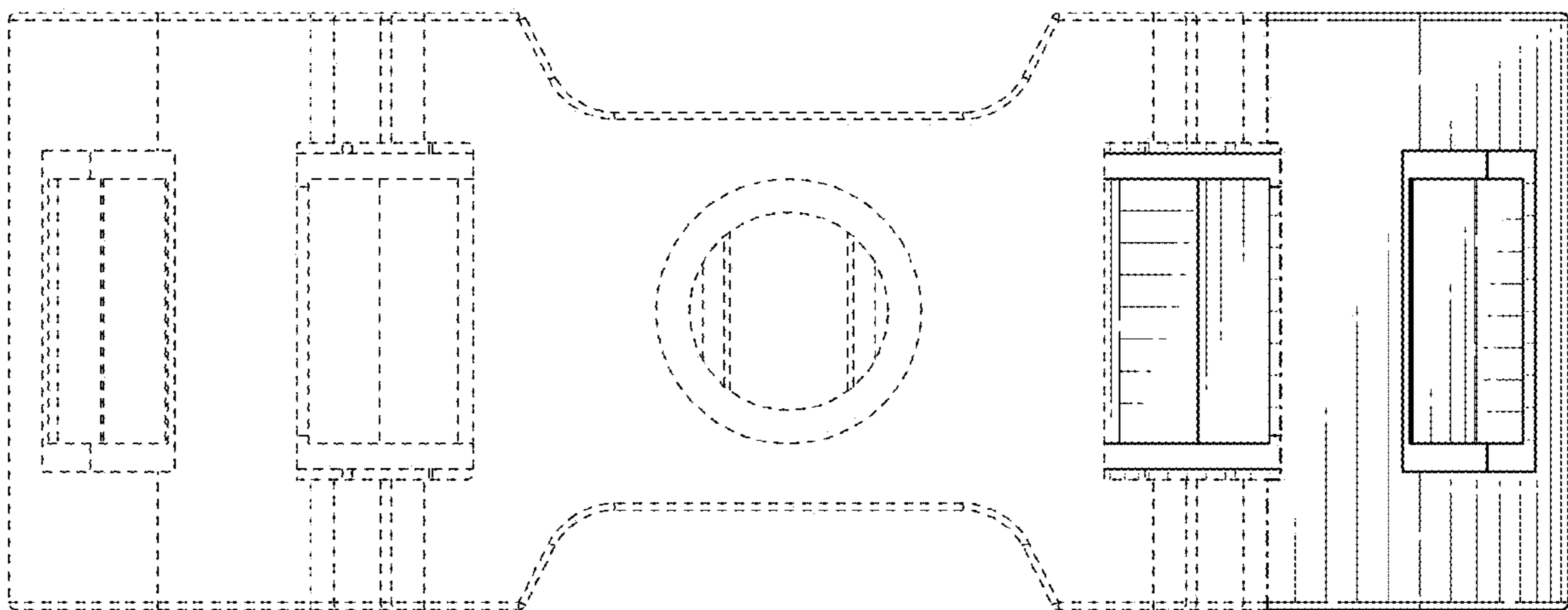


FIG. 8