



US00D982416S

(12) **United States Design Patent** (10) **Patent No.:** **US D982,416 S**
Schepers (45) **Date of Patent:** **** Apr. 4, 2023**

(54) **MOUNTING PANEL**
(71) Applicant: **Kenneth W. Schepers**, Burlleson, TX
(US)
(72) Inventor: **Kenneth W. Schepers**, Burlleson, TX
(US)

D937,664 S * 12/2021 Brunskill D8/354
D939,933 S * 1/2022 Campbell D8/354
D943,392 S * 2/2022 Kanter D8/354
D943,393 S * 2/2022 McVey D8/354
D945,251 S * 3/2022 Zhang D8/354
D945,606 S * 3/2022 Bellows D24/128
2007/0210023 A1 9/2007 Mower

(**) Term: **15 Years**

(21) Appl. No.: **29/751,243**

(22) Filed: **Sep. 18, 2020**

(51) **LOC (14) Cl.** **08-05**

(52) **U.S. Cl.**
USPC **D8/354**

(58) **Field of Classification Search**
USPC D8/354, 390, 355-357, 360, 373,
D8/380-382, 394-395, 47-49, 40
CPC ... E04C 5/18; E04C 5/168; E04C 5/20; E04C
2/044; E04C 2/288; E04C 2/384; E04C
2002/047; E04C 2003/026; E04C 5/02;
E04C 5/03; E04C 5/16; E04C 5/163;
E04C 5/201; E04C 5/203; B62D 17/00
See application file for complete search history.

(56) **References Cited**

U.S. PATENT DOCUMENTS

5,785,187 A 7/1998 Lipman
D867,856 S * 11/2019 Ruddick D8/356
D891,232 S * 7/2020 Zhang D8/354
D892,597 S * 8/2020 Stoops D8/354
D892,599 S * 8/2020 Witherbee D8/354
D899,899 S * 10/2020 Macher D8/354
D900,593 S * 11/2020 McKillips D8/354
D915,869 S * 4/2021 Seekins D8/349
D920,082 S * 5/2021 Kellerman D8/354
D922,856 S * 6/2021 Stearns D8/354
D937,070 S * 11/2021 Pavlov D8/354
D937,072 S * 11/2021 Pavlov D8/354

OTHER PUBLICATIONS

Pegboard Strips, Retrieved from Internet, Retrieved on Jul. 23, 2020
<URL: <https://kofflersales.com/product/pegboard-metal-strips?cid=2627>>.

(Continued)

Primary Examiner — Karen S Acker
Assistant Examiner — Elizabeth S Ko

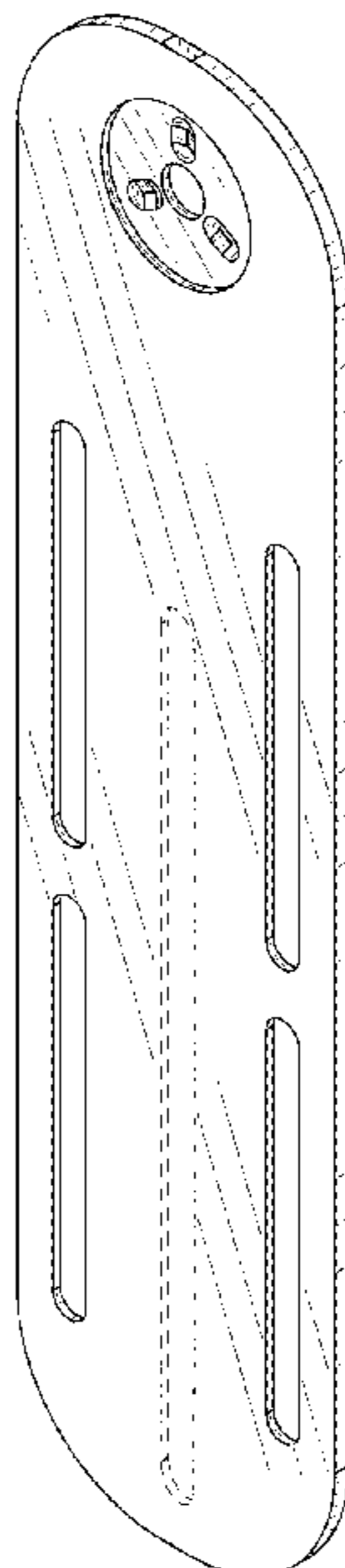
(57) **CLAIM**

The ornamental design for a mounting panel, as shown and described.

DESCRIPTION

FIG. 1 is a top-front-left perspective view of a mounting panel showing my new design;
FIG. 2 is a bottom-rear-right perspective view thereof;
FIG. 3 is a front elevational view thereof;
FIG. 4 is a rear elevational view thereof;
FIG. 5 is a left-side elevational view thereof, the right-side elevational view being mirrored thereto; and,
FIG. 6 is a top plan view thereof, the bottom plan view being mirrored thereto.
The oblique line shading used in the drawings indicates that the surfaces of the mounting panel are reflective.
The broken line showing a central perforation in FIGS. 1 through 4 and a surrounding indentation in FIGS. 2 and 4 is included for the purpose of illustrating environmental structure and forms no part of the claimed design.

1 Claim, 6 Drawing Sheets



(56)

References Cited

OTHER PUBLICATIONS

Sam Henderson, How to Install and Organize a Pegboard, HGTV, Retrieved on Jul. 23, 2020 <URL: <https://www.hgtv.com/design/make-and-celebrate/handmade/how-to-install-and-organize-a-pegboard>>.

Flat Back Velcro Holster: Customizable, Retrieved from Internet, Retrieved on Jul. 23, 2020 <URL: <https://www.gungoddess.com/products/flat-back-holster>>.

Street Glide Saddlebag Organizers, 2 Pack for 2014-2018 2019 2020 2021 Road King Road Glide Electra Glide Saddle Bag Organizers, Retrieved from Internet, Retrieved on Jul. 23, 2020 <URL: <https://www.amazon.com/Street-Saddlebag-Organizers-2014-2019-Electra/dp/B07N6985Q4>>.

Inexpensive Pistol Holster for Motorcycle Saddlebags, Retrieved from Youtube, Retrieved on Jul. 23, 2020 <URL: <https://www.youtube.com/watch?v=fsKuLcG7OdA>>.

* cited by examiner

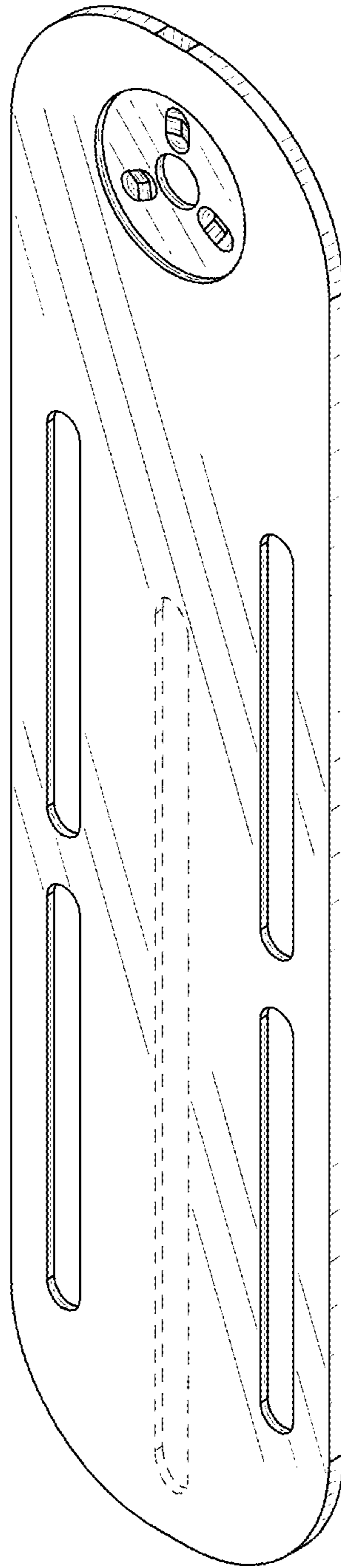


FIG. 1

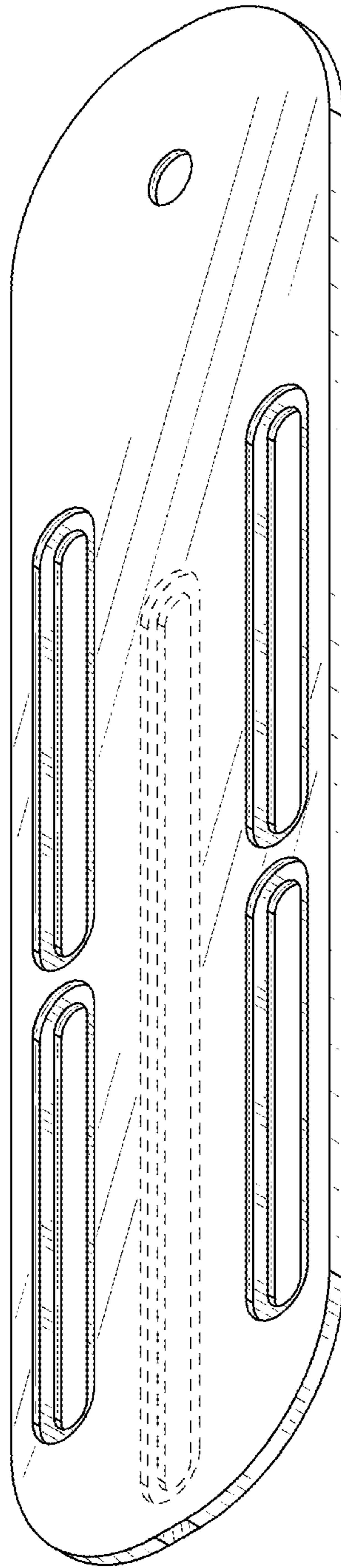


FIG. 2

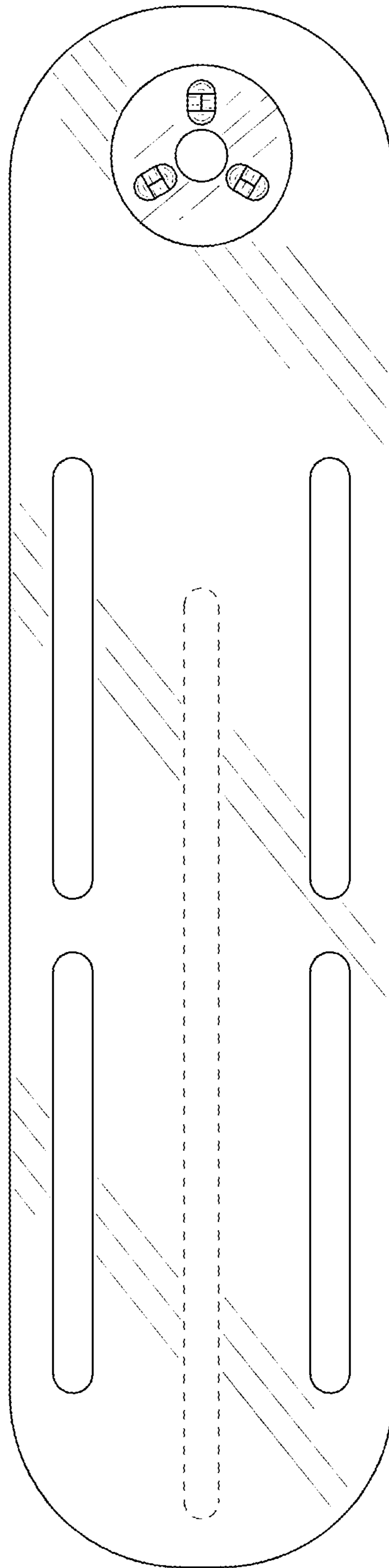


FIG. 3

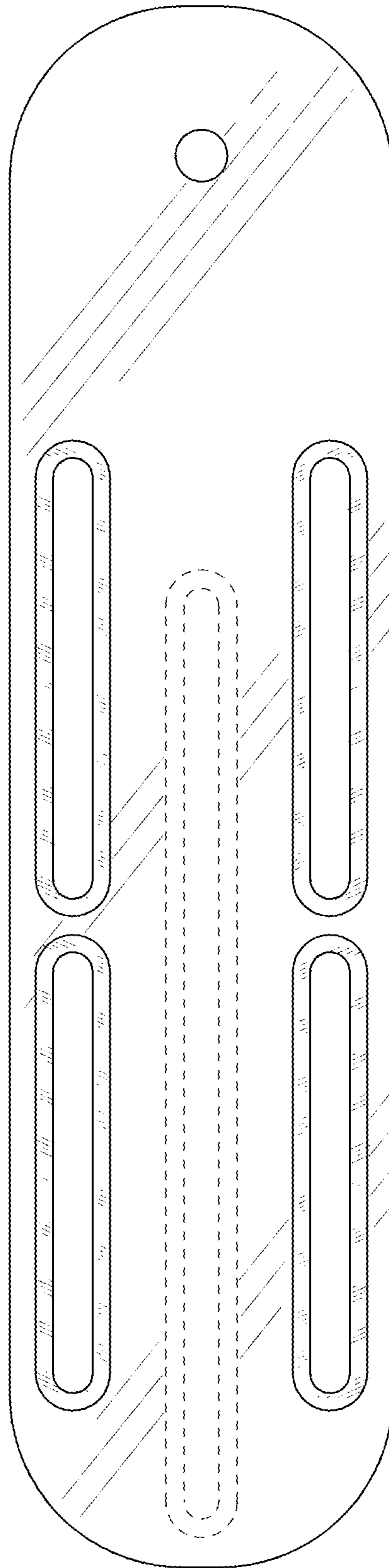


FIG. 4

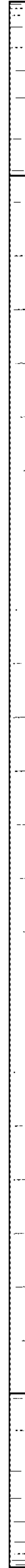


FIG. 5



FIG. 6