



US00D982415S

(12) **United States Design Patent** (10) **Patent No.:** **US D982,415 S**
Wang (45) **Date of Patent:** **** Apr. 4, 2023**

(54) **OVEN DOOR LOCK**
(71) Applicant: **Ningbo Fabe Child Safety Co., Ltd.,**
Ningbo (CN)
(72) Inventor: **Xinjun Wang,** Ningbo (CN)
(73) Assignee: **Ningbo Fabe Child Safety Co., Ltd.,**
Ningbo (CN)
(**) Term: **15 Years**
(21) Appl. No.: **29/863,446**
(22) Filed: **Dec. 19, 2022**
(51) **LOC (14) Cl.** **08-07**
(52) **U.S. Cl.**
USPC **D8/331**
(58) **Field of Classification Search**
USPC D8/300, 306, 307, 330, 331, 354, 363,
D8/367, 370; D12/115
CPC A47G 1/17; A47G 25/0607; A47G 25/10;
Y10T 292/57; F24C 15/022
See application file for complete search history.

D794,412 S * 8/2017 Darmali F24C 15/022
D8/306
D933,450 S 10/2021 Jin
D934,053 S * 10/2021 Marsden F24B 5/028
D8/331
D941,663 S * 1/2022 Lazarini F24C 15/022
D8/367
D954,520 S 6/2022 Li
D956,506 S * 7/2022 Garland F24C 15/022
D8/307
D976,083 S * 1/2023 Diefenbach F24C 15/022
D8/367

(Continued)

OTHER PUBLICATIONS

Inventor's, Xinjun Wang, Publication on Amazon dated Sep. 23, 2022. Please refer to <https://www.amazon.com/gp/product/B0BG7Z3S99>, the declaration, the Sales Authorization Certificate.

Primary Examiner — Rachel A. Voorhies
Assistant Examiner — Benjamin D. Wannemacher
(74) *Attorney, Agent, or Firm* — ScienBiziP, P.C.

(57) **CLAIM**

The ornamental design for an oven door lock, as shown and described.

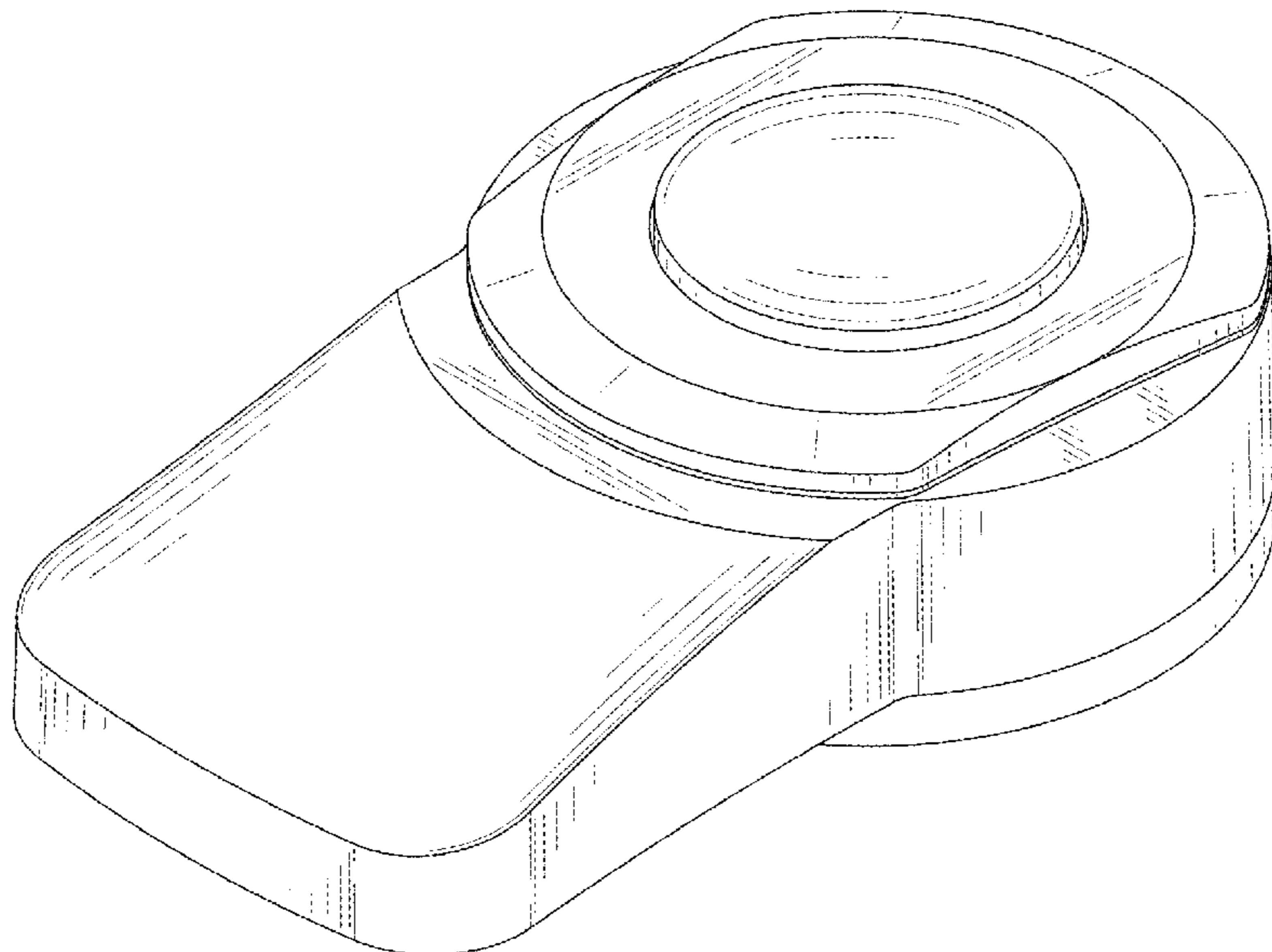
DESCRIPTION

FIG. 1 is a front, right and top perspective view of an oven door lock, showing my design.
FIG. 2 is a rear, left and bottom perspective view thereof.
FIG. 3 is a front elevation view thereof.
FIG. 4 is a rear elevation view thereof.
FIG. 5 is a left side elevation view thereof.
FIG. 6 is a right side elevation view thereof.
FIG. 7 is a top plan view thereof; and,
FIG. 8 is a bottom plan view thereof.
The broken lines depict portions of the oven door lock that form no part of the claimed design.

1 Claim, 8 Drawing Sheets

(56) **References Cited**
U.S. PATENT DOCUMENTS

D167,831 S * 9/1952 Graber D8/367
3,859,979 A * 1/1975 Gilliom F24C 15/022
219/398
D384,570 S * 10/1997 Edwards D8/314
5,813,711 A * 9/1998 Sauvagnat F27D 1/1858
219/722
5,887,916 A * 3/1999 Finkelstein F24C 15/022
292/202
D439,496 S * 3/2001 Stevens D8/330
D518,362 S * 4/2006 Burns D8/363
D722,855 S * 2/2015 Shah D8/302
D723,901 S * 3/2015 Holtman F27D 1/1858
D8/308
9,372,000 B2 * 6/2016 Ploof F24B 5/028



(56)

References Cited

U.S. PATENT DOCUMENTS

2005/0194370 A1* 9/2005 Lammerskitten F24C 15/022
219/413
2005/0284465 A1* 12/2005 Courter F24C 15/022
126/197
2012/0180776 A1* 7/2012 Newsom F24C 15/022
126/197

* cited by examiner

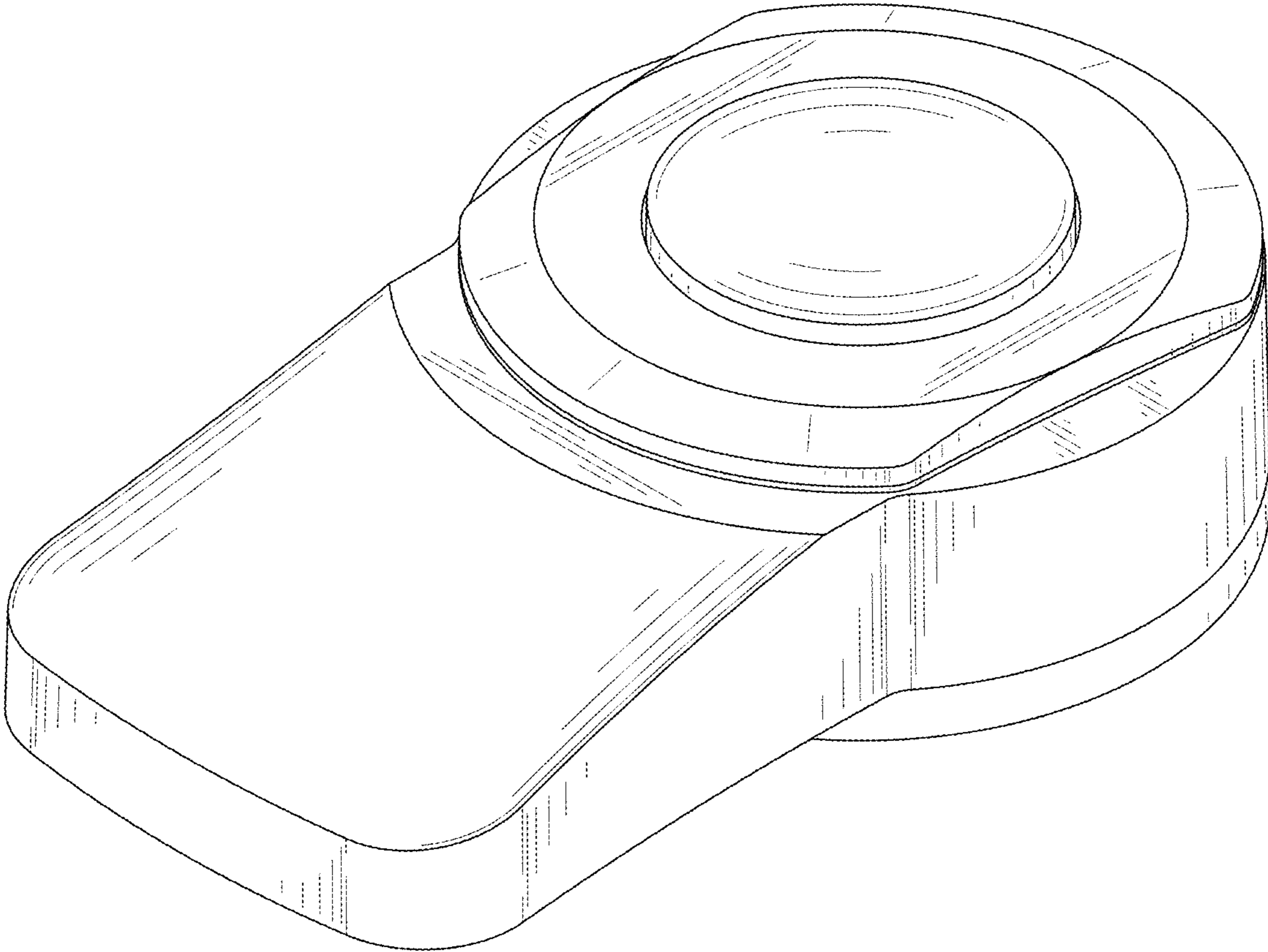


FIG. 1

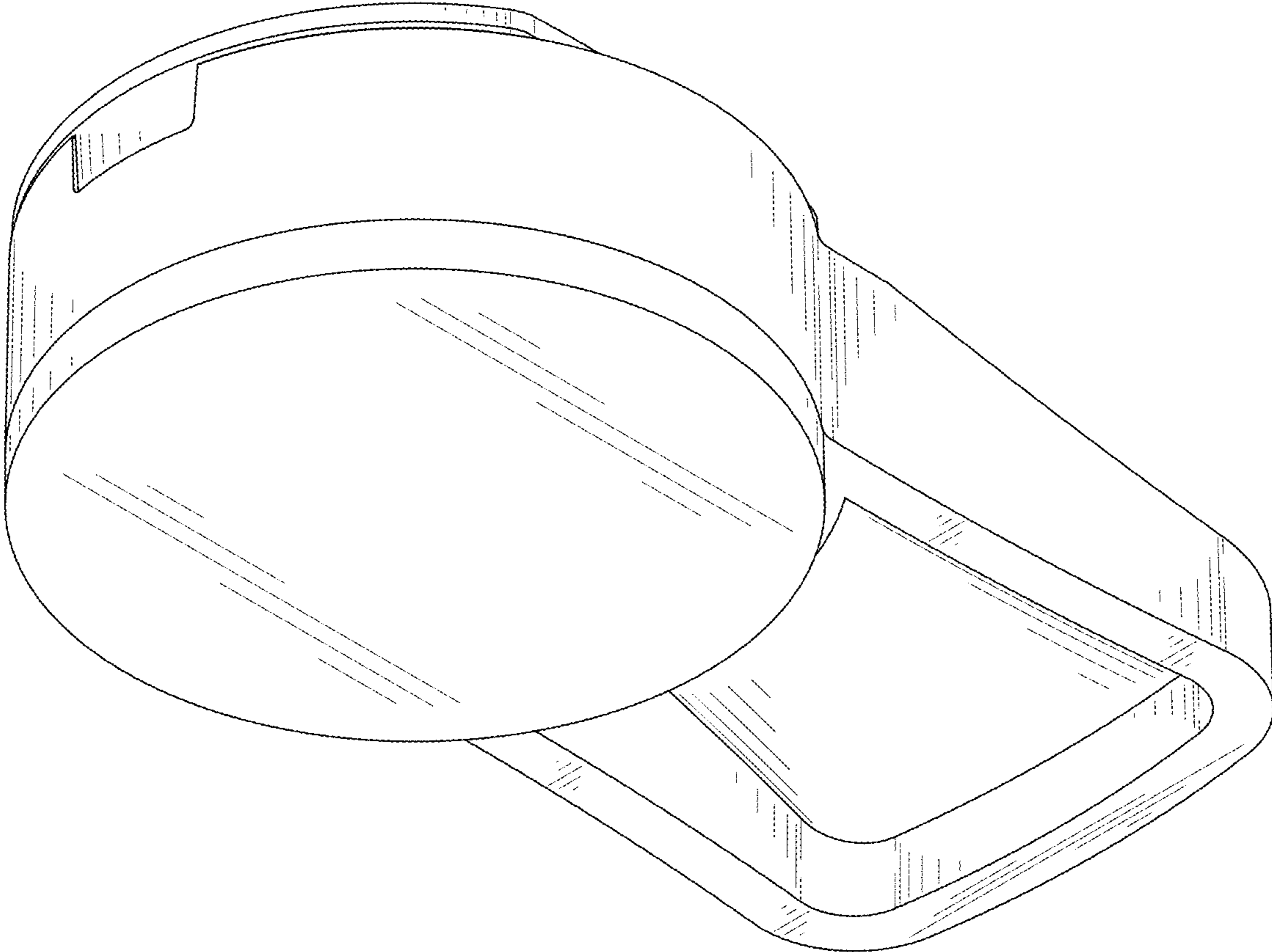


FIG. 2

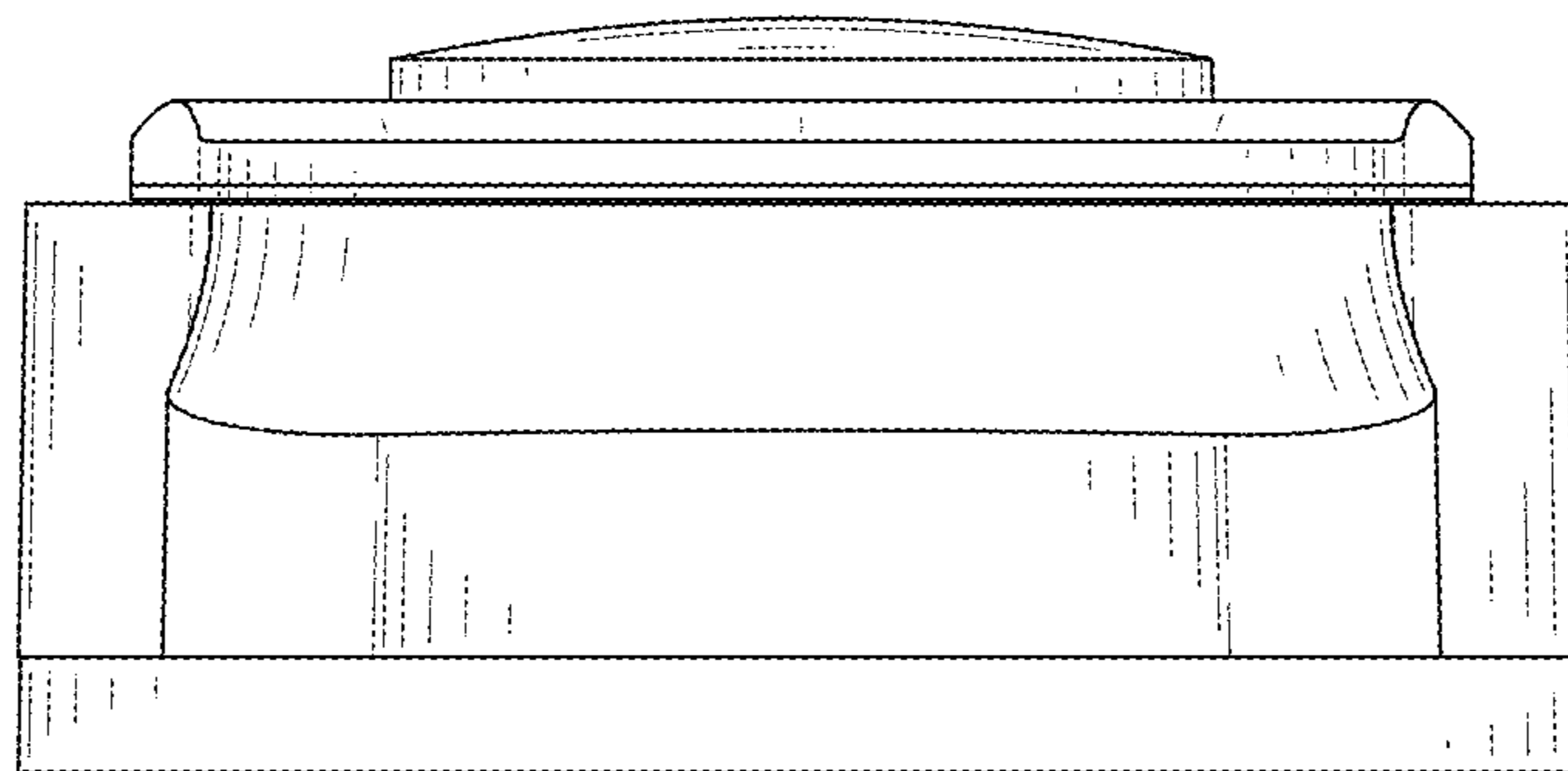


FIG. 3

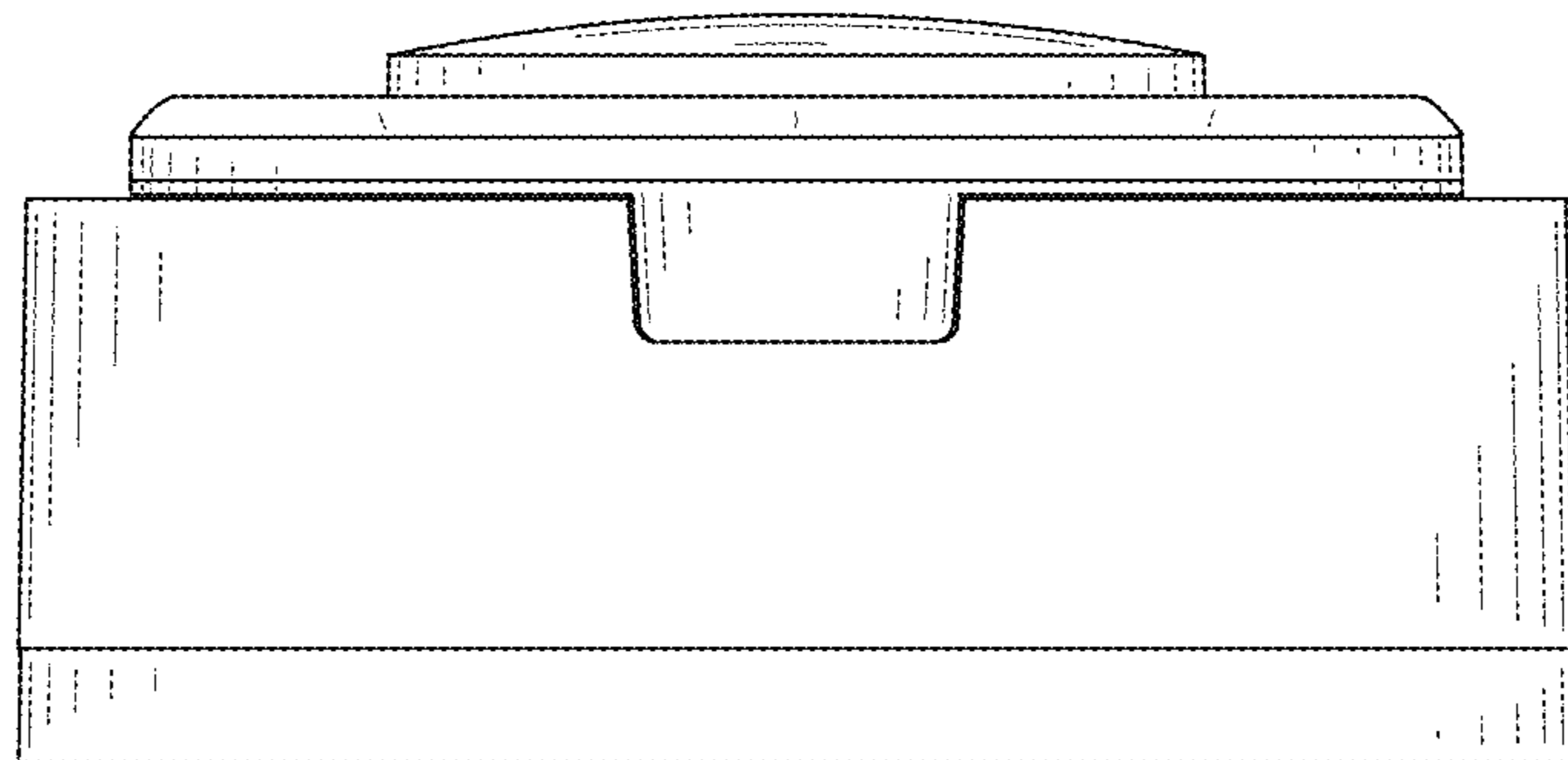


FIG. 4

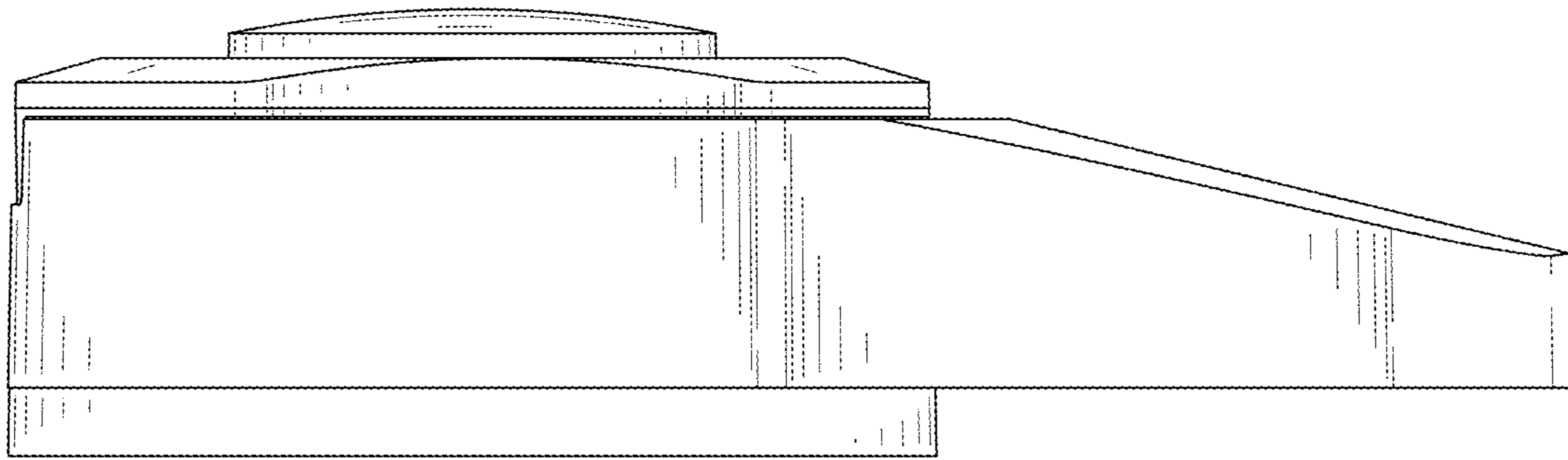


FIG. 5

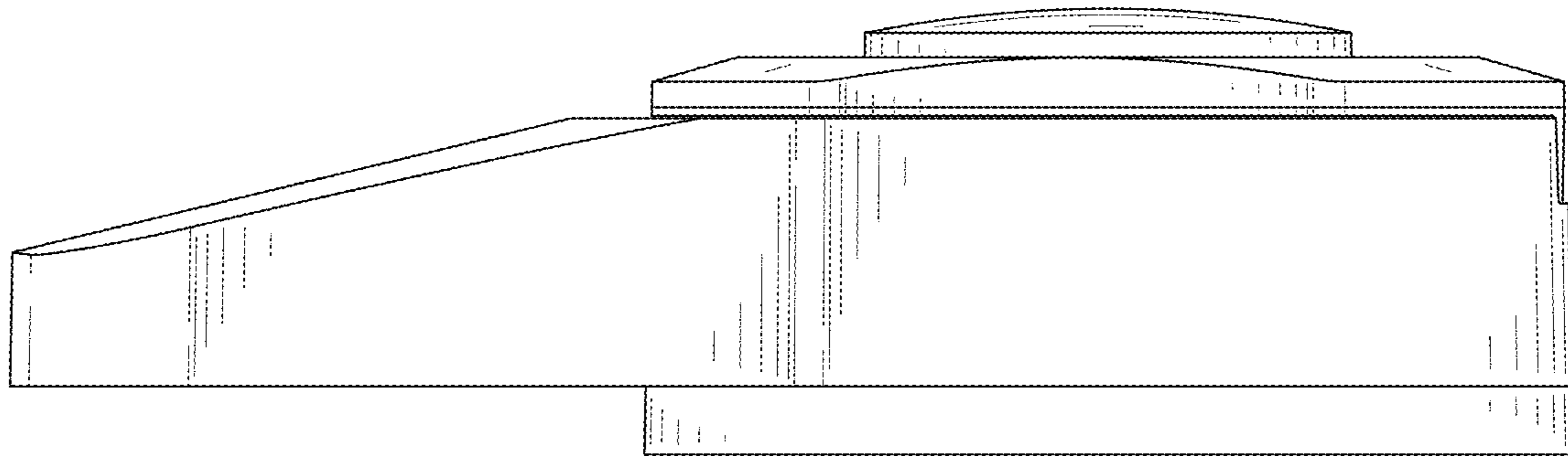


FIG. 6

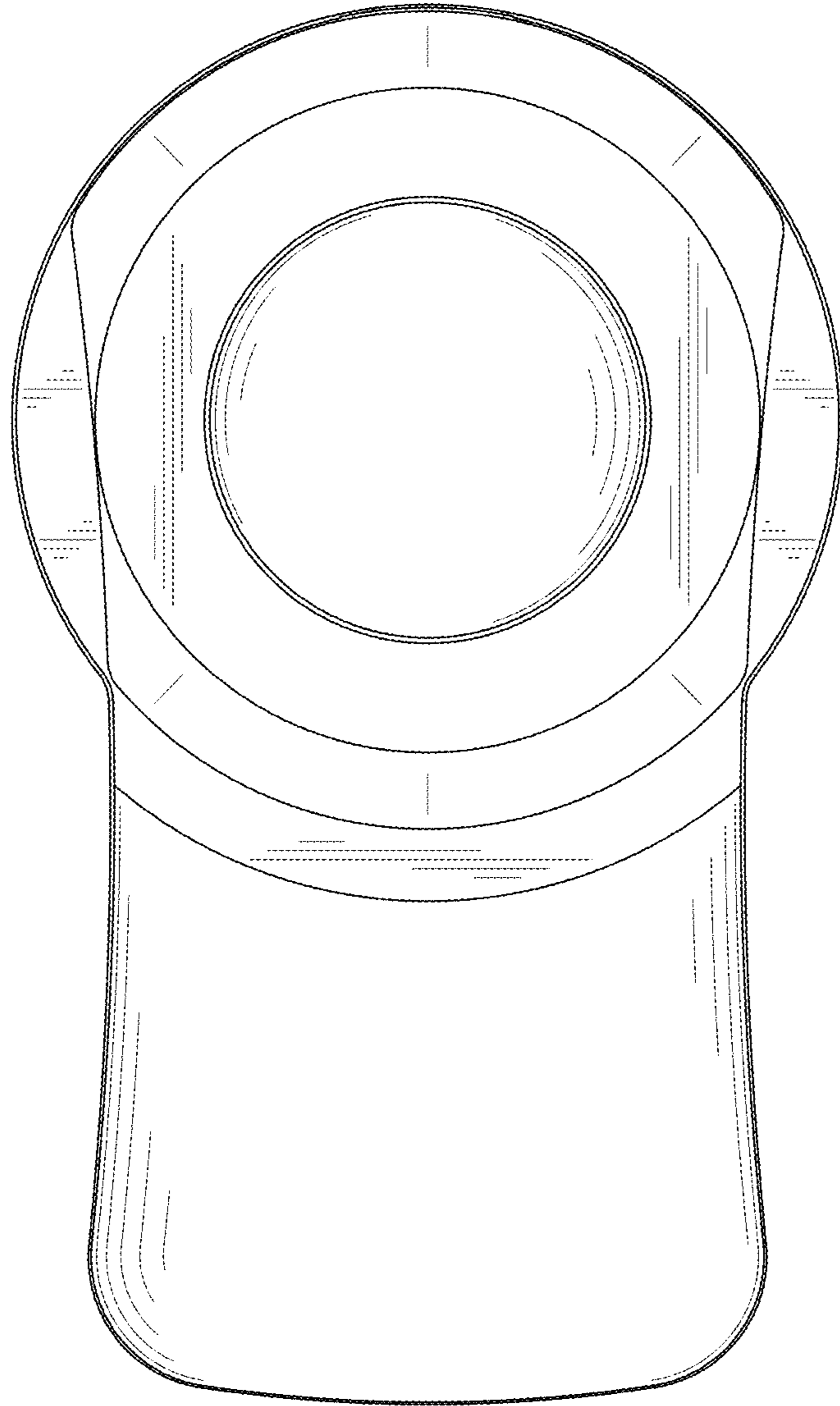


FIG. 7

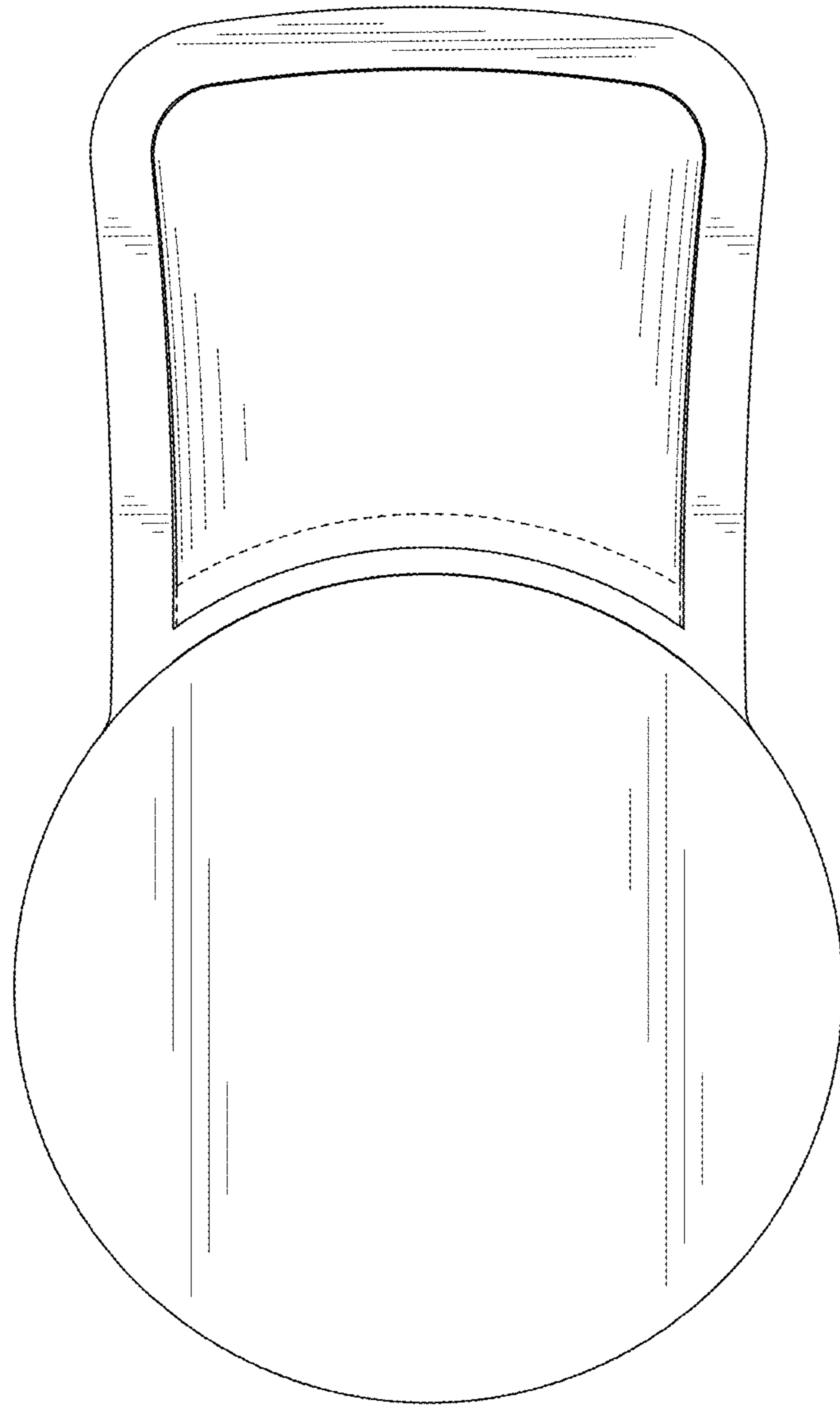


FIG. 8