



US00D982413S

(12) **United States Design Patent** (10) **Patent No.:** **US D982,413 S**  
**Wang** (45) **Date of Patent:** **\*\* Apr. 4, 2023**

(54) **BATHROOM GRAB BAR WITH HOOK**

(71) Applicant: **Halford LLC**, Casper, WY (US)

(72) Inventor: **Bo Wang**, St Ann, MO (US)

(\*\*) Term: **15 Years**

(21) Appl. No.: **29/860,550**

(22) Filed: **Nov. 21, 2022**

(51) **LOC (14) Cl.** ..... **08-06**

(52) **U.S. Cl.**  
USPC ..... **D8/319**; D23/304

(58) **Field of Classification Search**  
USPC ..... D8/300-303, 313-320; D23/304, 305;  
D6/547, 549  
CPC ..... Y10T 16/469; Y10T 29/49947; Y10T  
16/476; Y10T 156/1093; Y10T 428/1462;  
Y10T 16/4571; Y10T 16/498; Y10T  
24/309; Y10T 83/7647; Y10T 16/4563;  
Y10T 16/4559; Y10T 70/8973; Y10T  
16/466; A47K 3/003; A47K 3/125; A47K  
17/02; B25G 1/102

See application file for complete search history.

(56) **References Cited**

**U.S. PATENT DOCUMENTS**

D193,179 S *	7/1962	Rutman et al.	.....	D8/319
D225,963 S *	1/1973	Clayton	.....	D8/316
D340,377 S *	10/1993	Brazis	.....	D6/549
D418,803 S *	1/2000	Klimenko	.....	D8/317
D423,854 S *	5/2000	Roth	.....	D6/549
6,473,939 B1 *	11/2002	Stegmaier	.....	B29C 45/1671 16/DIG. 18
D541,391 S	4/2007	Sladick et al.		
D599,187 S *	9/2009	Matschina	.....	D8/315
D631,273 S *	1/2011	O'Brien	.....	D6/524

D637,700 S	5/2011	Antoniello		
D639,409 S *	6/2011	Gilbert	.....	D23/304
D646,766 S *	10/2011	Gilbert	.....	D23/304
D687,934 S	8/2013	Blakley		
D843,809 S *	3/2019	Gibbs	.....	D8/315
10,553,095 B2 *	2/2020	Chang	.....	E04F 11/18
D975,828 S *	1/2023	Aneja	.....	D23/304
2008/0156958 A1 *	7/2008	Chien	.....	A47K 3/003 248/542
2008/0179905 A1 *	7/2008	Park	.....	A47K 17/022 294/187
2014/0359933 A1 *	12/2014	Linehan	.....	F16B 47/00 4/576.1

\* cited by examiner

*Primary Examiner* — Lauren R Calve

(74) *Attorney, Agent, or Firm* — Rumit Ranjit Kanakia

(57) **CLAIM**

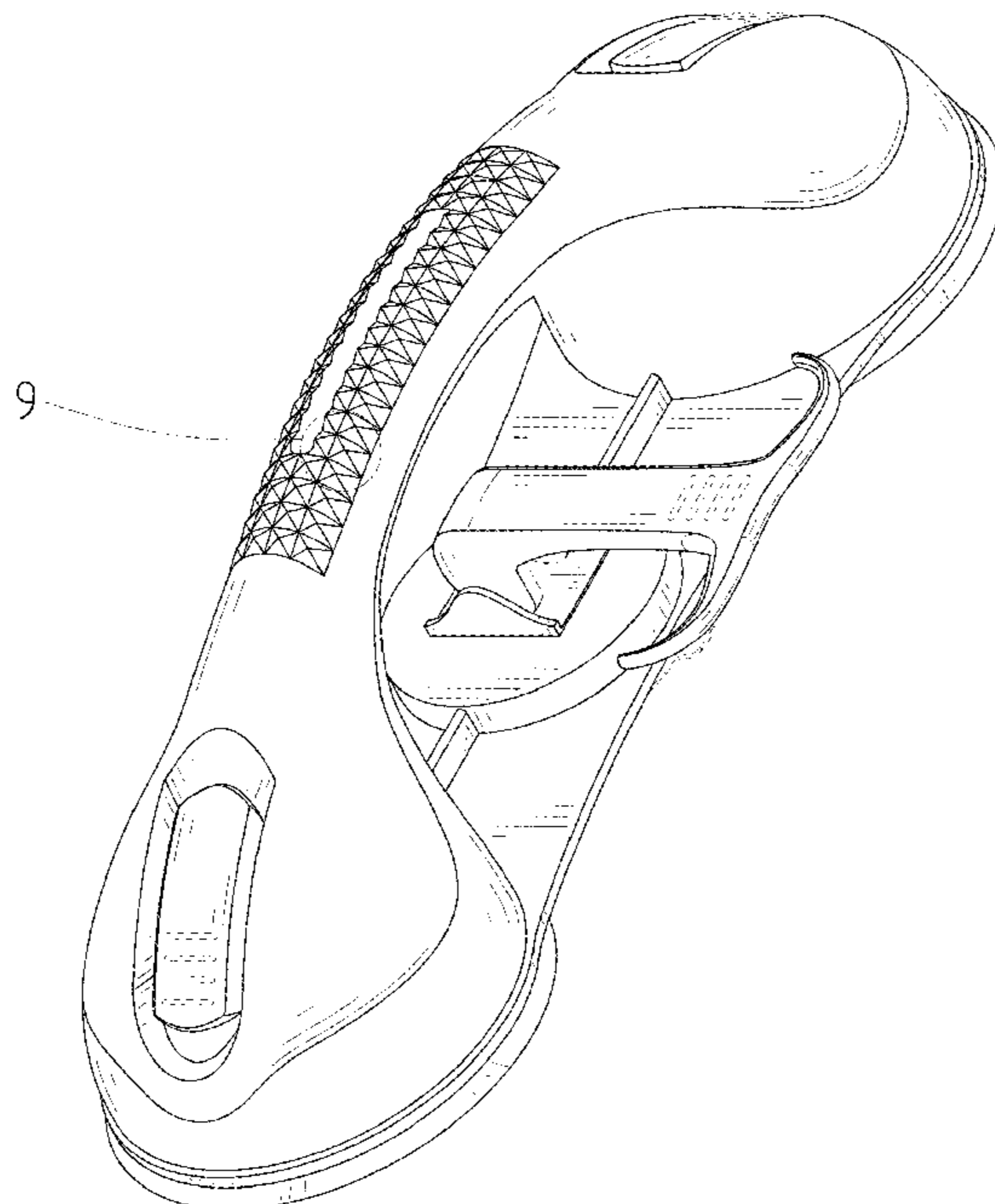
The ornamental design for a bathroom grab bar with hook, as shown and described.

**DESCRIPTION**

FIG. 1 is a first perspective view of a bathroom grab bar with hook showing my new design;  
FIG. 2 is a second perspective view thereof;  
FIG. 3 is a front view thereof;  
FIG. 4 is a back view thereof;  
FIG. 5 is a left side view thereof;  
FIG. 6 is a right side view thereof;  
FIG. 7 is a top view thereof;  
FIG. 8 is a bottom view thereof; and,  
FIG. 9 is an enlarged view of the selected portion 9 in FIG. 1.

The broken lines shown in the drawings depict portions of the bathroom grab bar with hook that form no part of the claimed design.

**1 Claim, 9 Drawing Sheets**



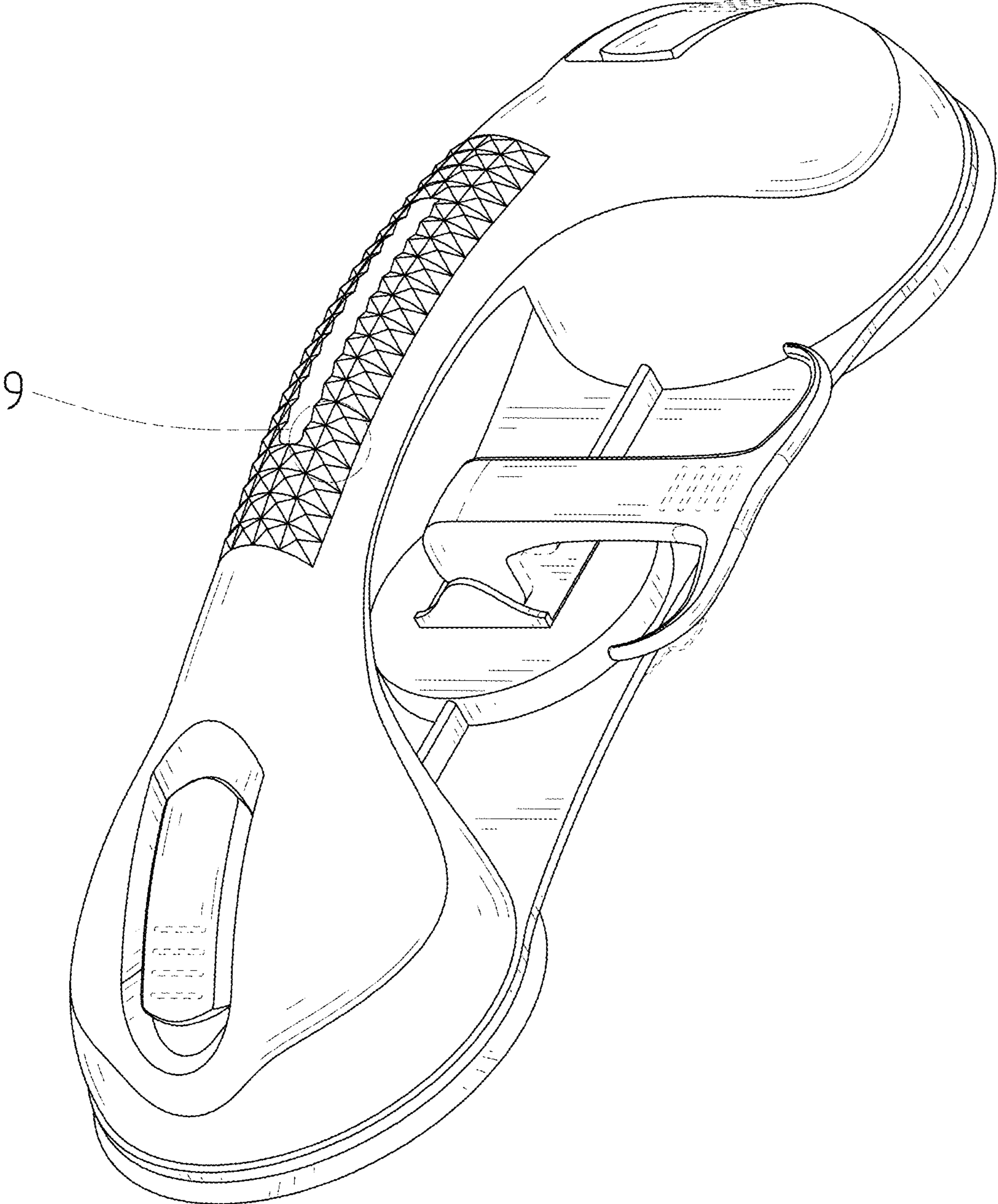


FIG. 1

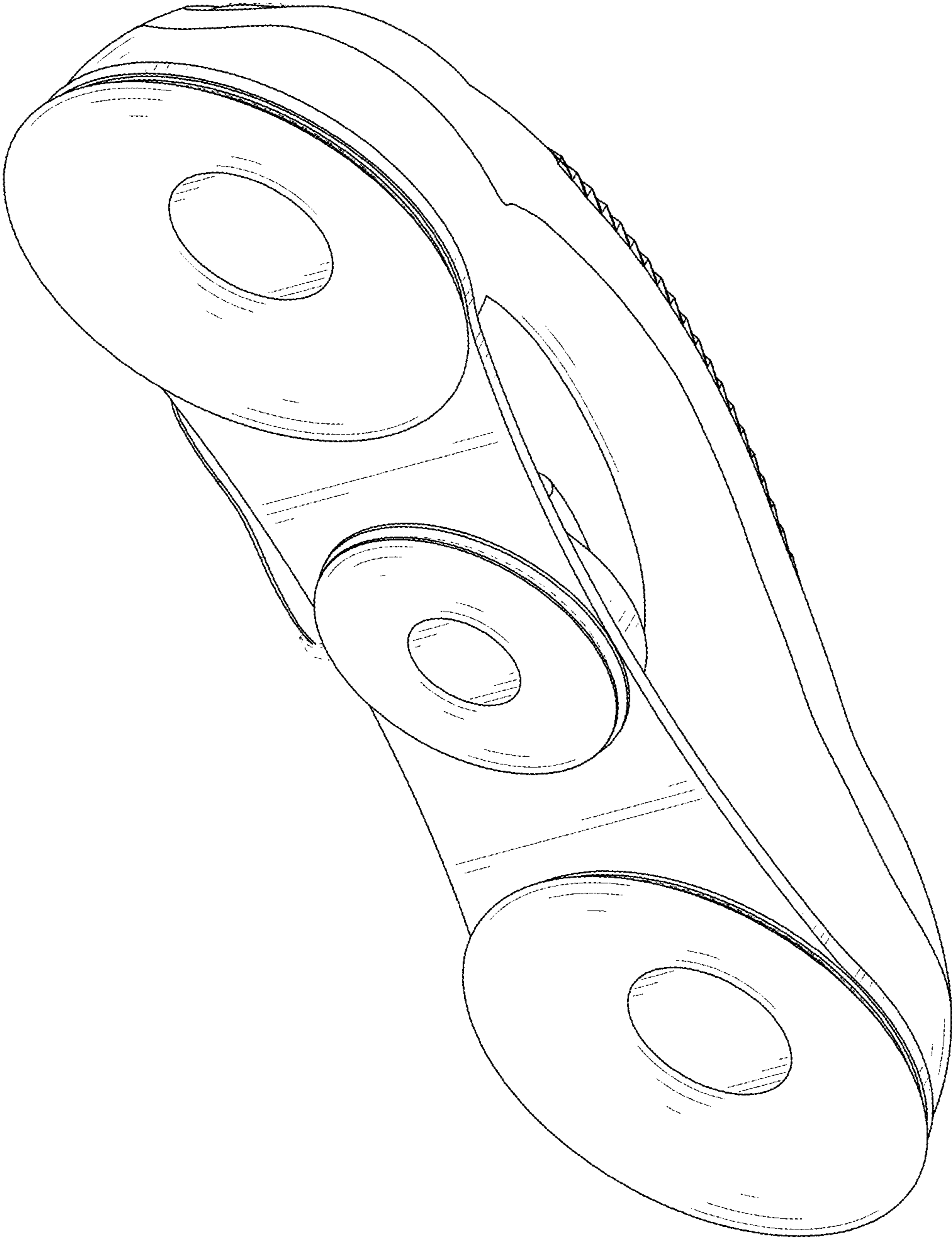


FIG. 2

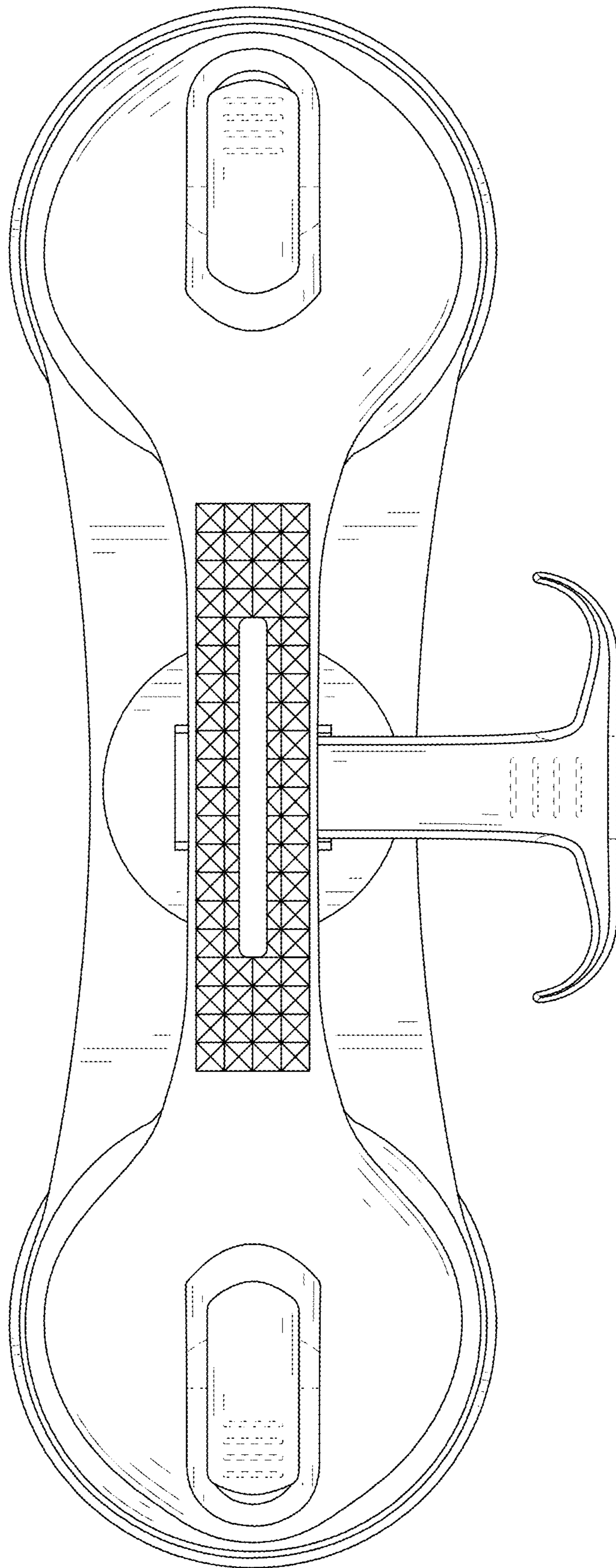


FIG. 3

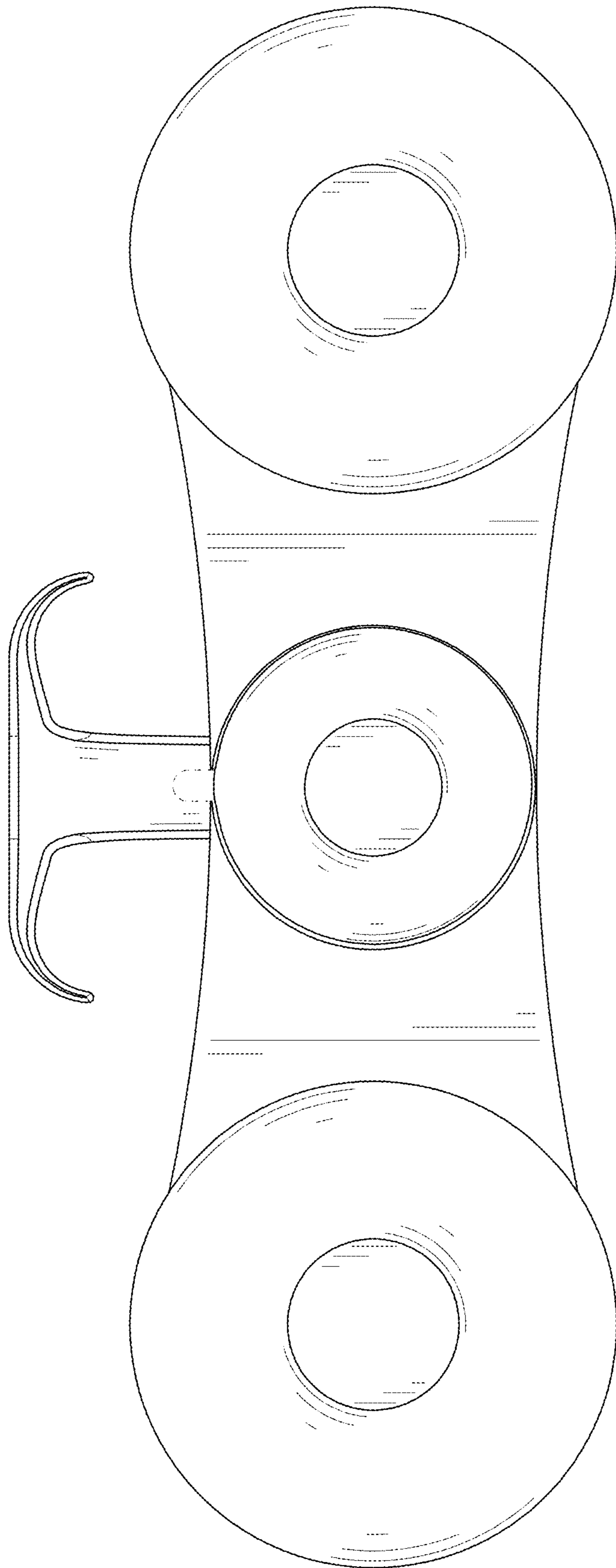


FIG. 4

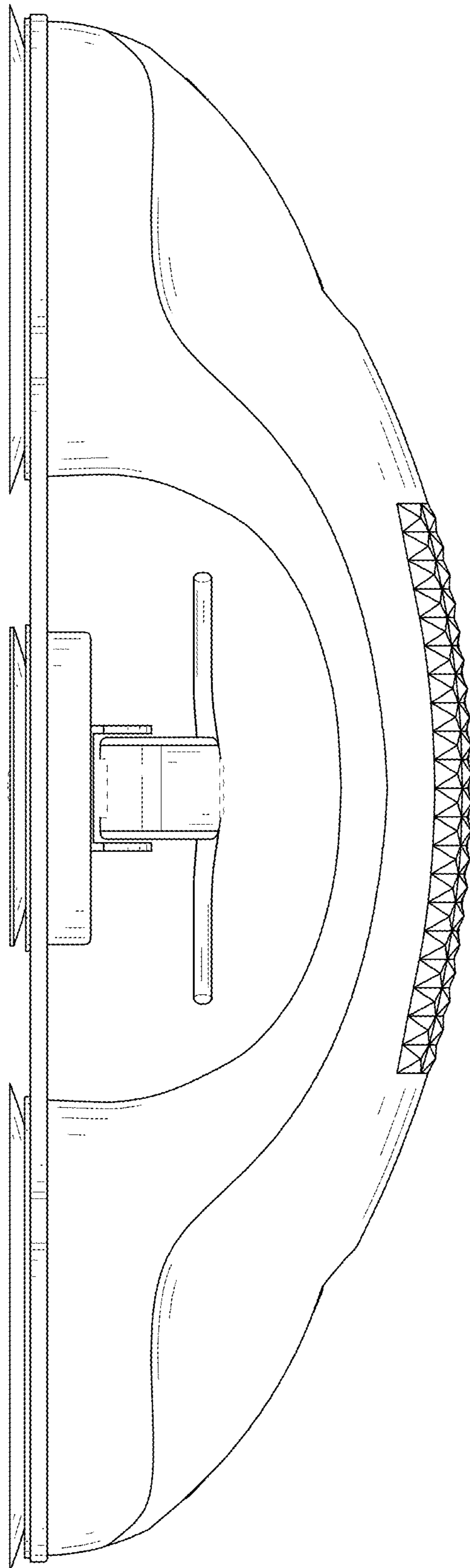


FIG. 5

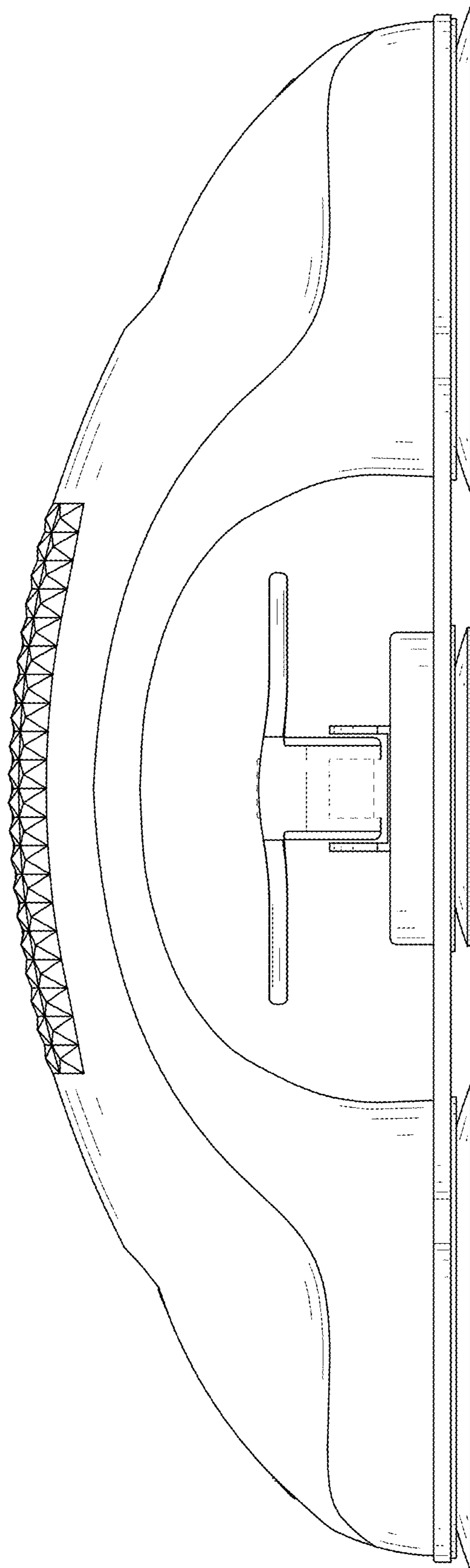


FIG. 6

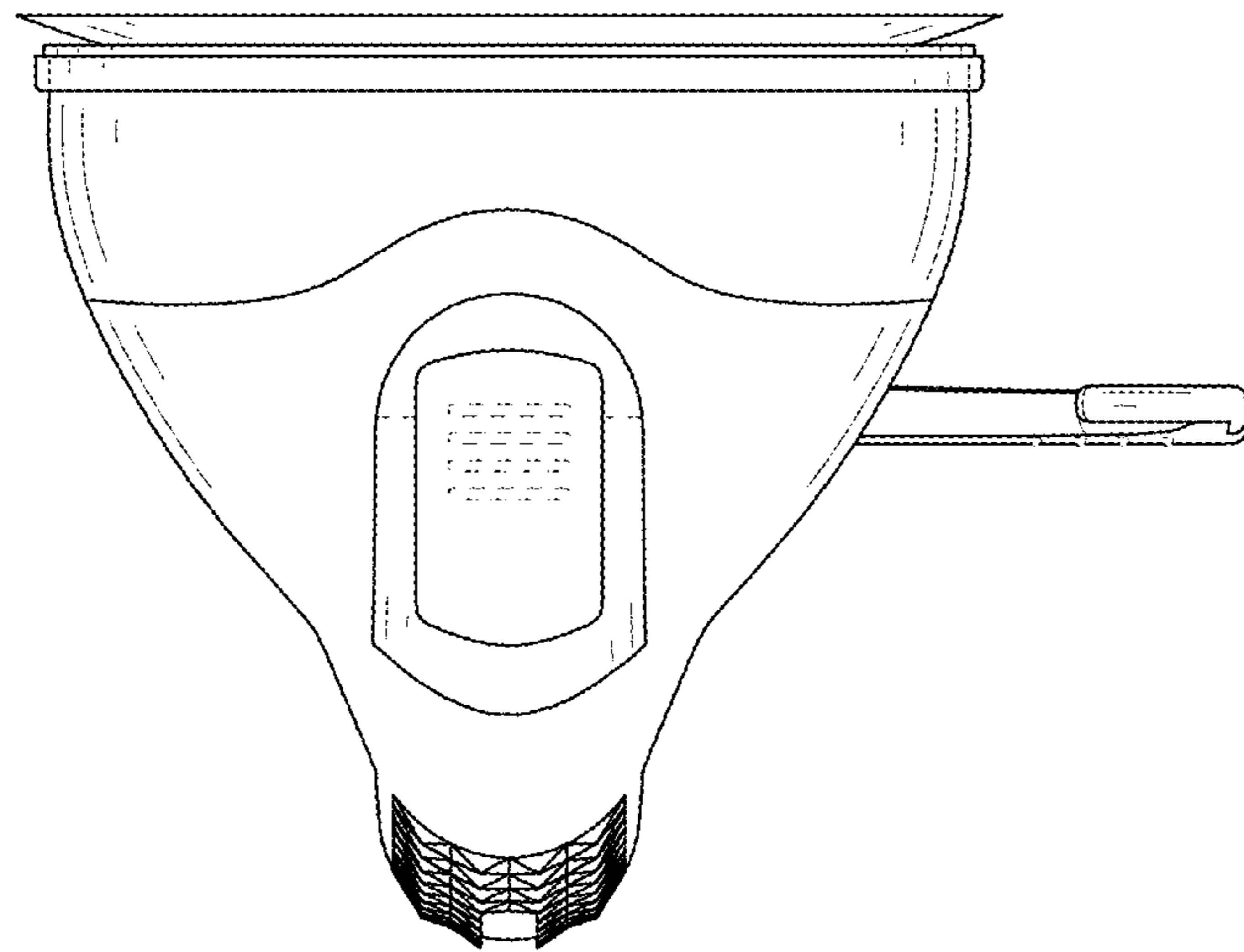


FIG. 7



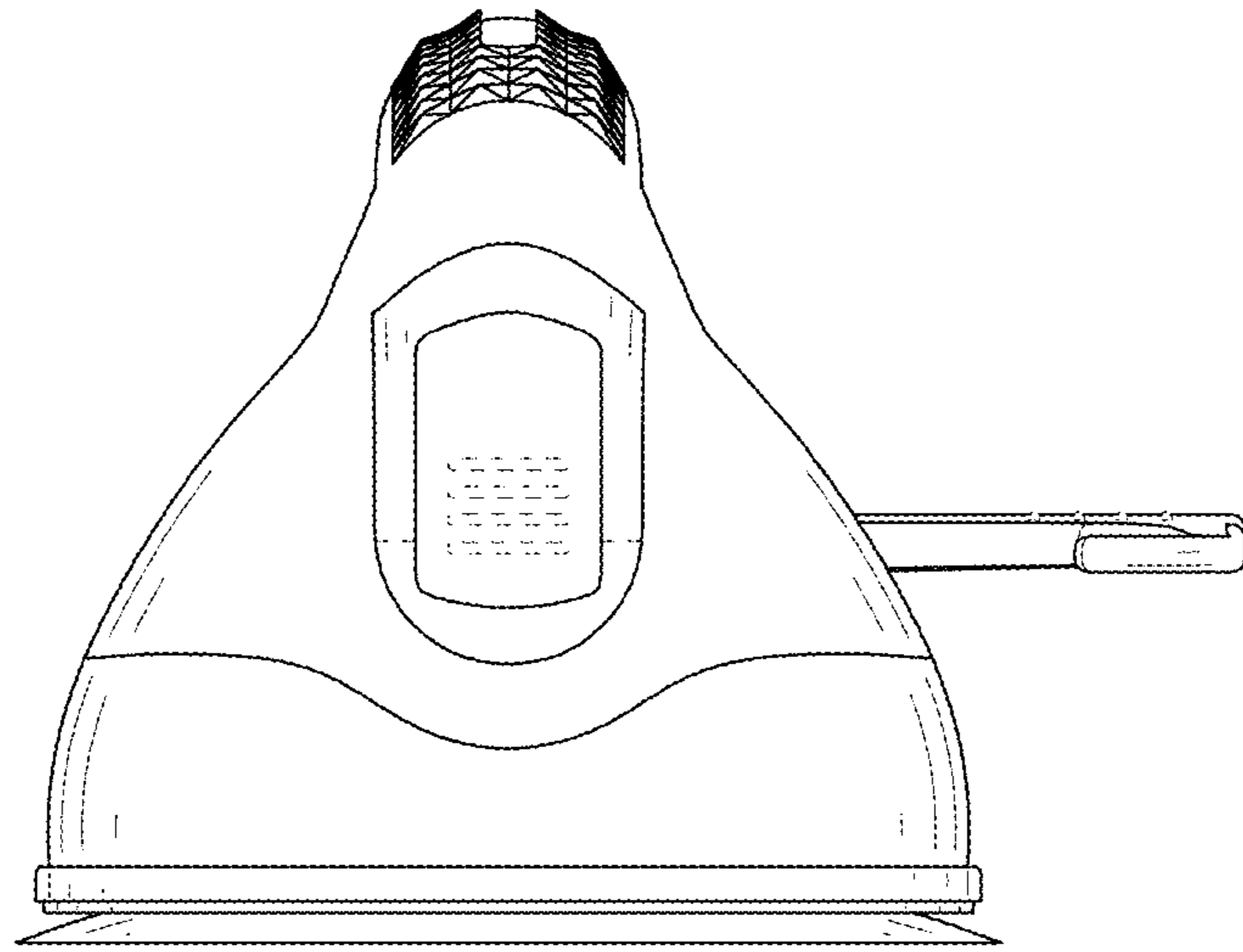


FIG. 8

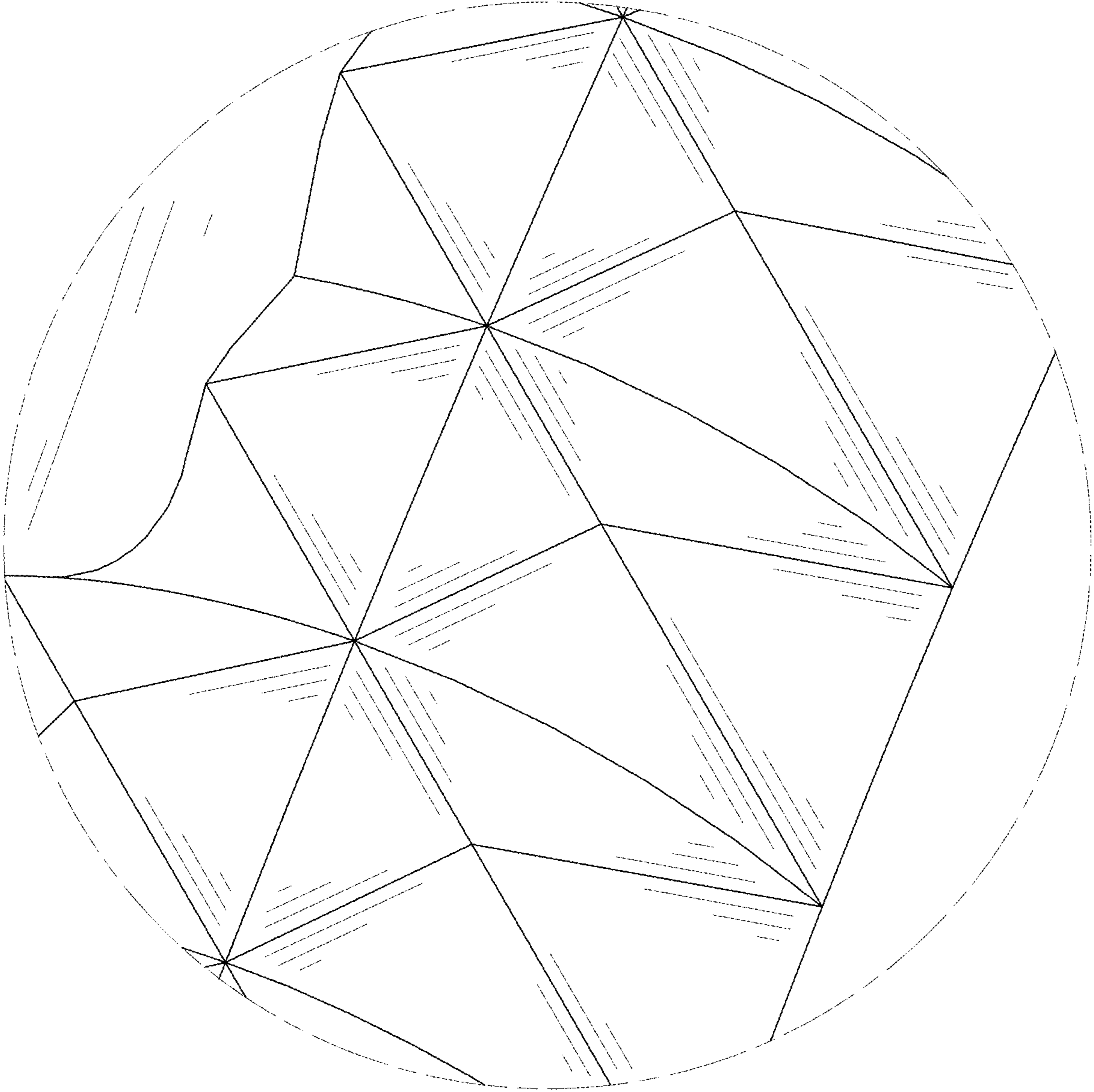


FIG. 9