



US00D982410S

(12) **United States Design Patent** (10) **Patent No.:** **US D982,410 S**
Jusidman et al. (45) **Date of Patent:** **** Apr. 4, 2023**

(54) **HAND TOOL HANDLE**
(71) Applicant: **Truper, S.A. de C.V.**, Jilotepec (MX)
(72) Inventors: **Arie Jusidman**, Mexico City (MX);
Jose Gamboa, Roswell, GA (US);
Mark Dorenkott, Westlake, OH (US)
(73) Assignee: **TRUPER, S.A. DE C.V.**, Jilotepec (MX)
(**) Term: **15 Years**
(21) Appl. No.: **29/779,121**
(22) Filed: **Apr. 16, 2021**

D594,727 S 6/2009 Firtoer et al.
D598,264 S 8/2009 Mullen
D658,961 S 5/2012 Islas
D660,123 S 5/2012 Islas
D681,415 S 5/2013 Boies
D688,110 S 8/2013 Frenkel
D694,727 S 12/2013 McManigal et al.
D770,258 S 11/2016 Stokes et al.
D808,759 S 1/2018 Nelson
D818,337 S 5/2018 Nelson
10,213,932 B2 2/2019 Brobeil et al.
D854,903 S 7/2019 Nelson
D897,803 S 10/2020 Caglar
2005/0102845 A1 5/2005 Dallas et al.
2006/0042017 A1 3/2006 Lin
(Continued)

Related U.S. Application Data

(62) Division of application No. 29/716,026, filed on Dec. 5, 2019, now Pat. No. Des. 945,237.
(51) **LOC (14) Cl.** **08-02**
(52) **U.S. Cl.**
USPC **D8/80**
(58) **Field of Classification Search**
USPC D8/75, 76, 77, 78, 79, 80, 81, 107
CPC ... B25D 1/00; B25D 1/02; B25D 1/04; B25D 1/045; B25D 1/06; B25D 1/10; B25D 1/12; B25G 1/102
See application file for complete search history.

References Cited

U.S. PATENT DOCUMENTS

5,141,353 A 10/1992 Meredith et al.
D354,212 S 1/1995 Ronnholm et al.
D356,480 S 3/1995 Ronnholm et al.
D362,795 S 10/1995 Ronnholm
5,701,675 A 12/1997 Hall et al.
D402,874 S 12/1998 Hall et al.
6,465,849 B1 10/2002 Chang et al.
D519,813 S 5/2006 Hung
D564,326 S 3/2008 Hsieh-Yeh
D583,641 S 12/2008 Fortier et al.

OTHER PUBLICATIONS

Applicant Truper S.A. de C.V. catalog, published Jan. 31, 2019. 548 pages. See especially pp. 138, 139, and 209.

Primary Examiner — Philip S Hyder
(74) *Attorney, Agent, or Firm* — Polson Intellectual Property Law, PC; Margaret Polson

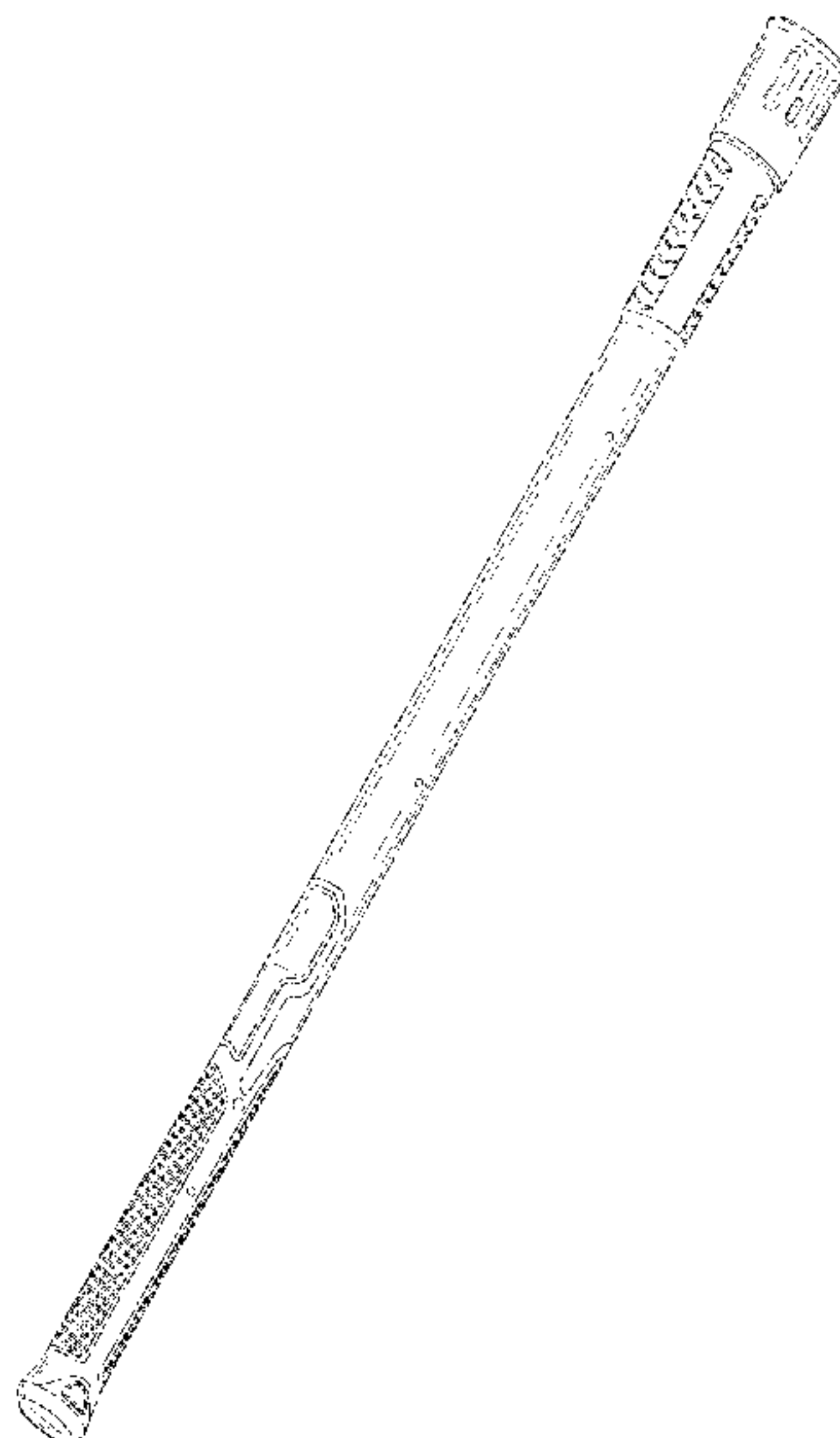
CLAIM

(57) The ornamental design for a hand tool handle, as shown and described.

DESCRIPTION

FIG. 1 is an isometric view of our new design for a hand tool handle.
FIG. 2 is a left side elevation view of FIG. 1.
FIG. 3 is a right side elevation view of FIG. 1.
FIG. 4 is a back side elevation view of Fig. 1.
FIG. 5 is a front side elevation view of FIG. 1.
FIG. 6 is an enlarged view of bottom part of FIG. 1.
FIG. 7 is an enlarged view of the circle 9 of FIG. 6.
FIG. 8 is an enlarged view of the circle 10 of FIG. 6; and,
FIG. 9 is an enlarged view of the circle 11 of FIG. 6.

1 Claim, 4 Drawing Sheets



(56)

References Cited

U.S. PATENT DOCUMENTS

2014/0000116 A1 1/2014 Brobeil et al.
2015/0121708 A1 5/2015 Holm et al.

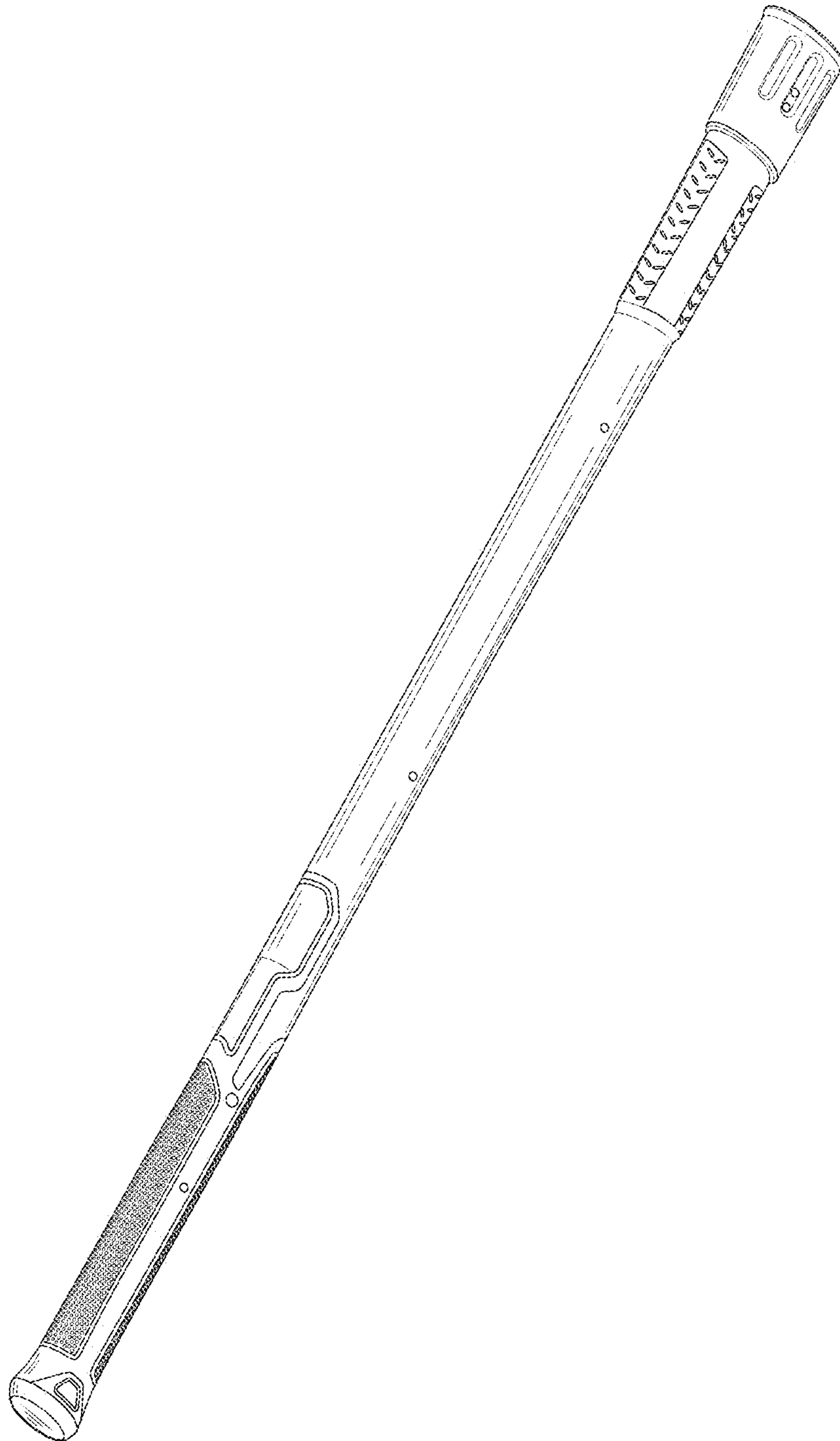


FIG. 1

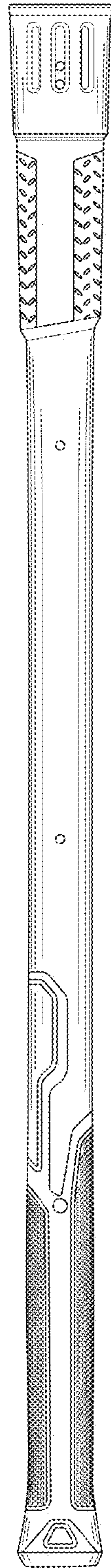


FIG. 2

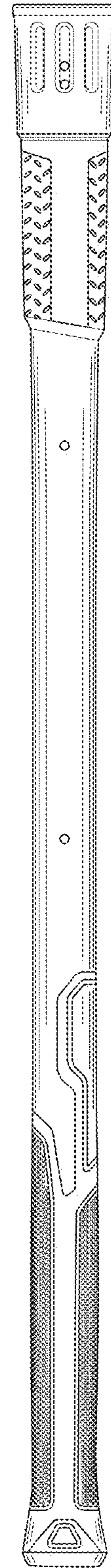


FIG. 3

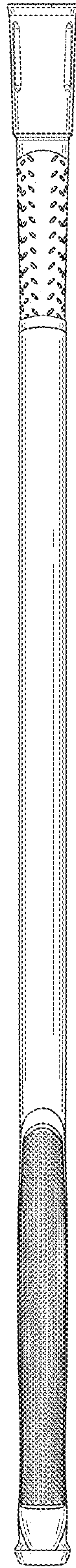


FIG. 4

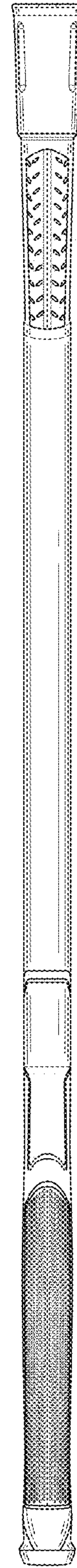


FIG. 5

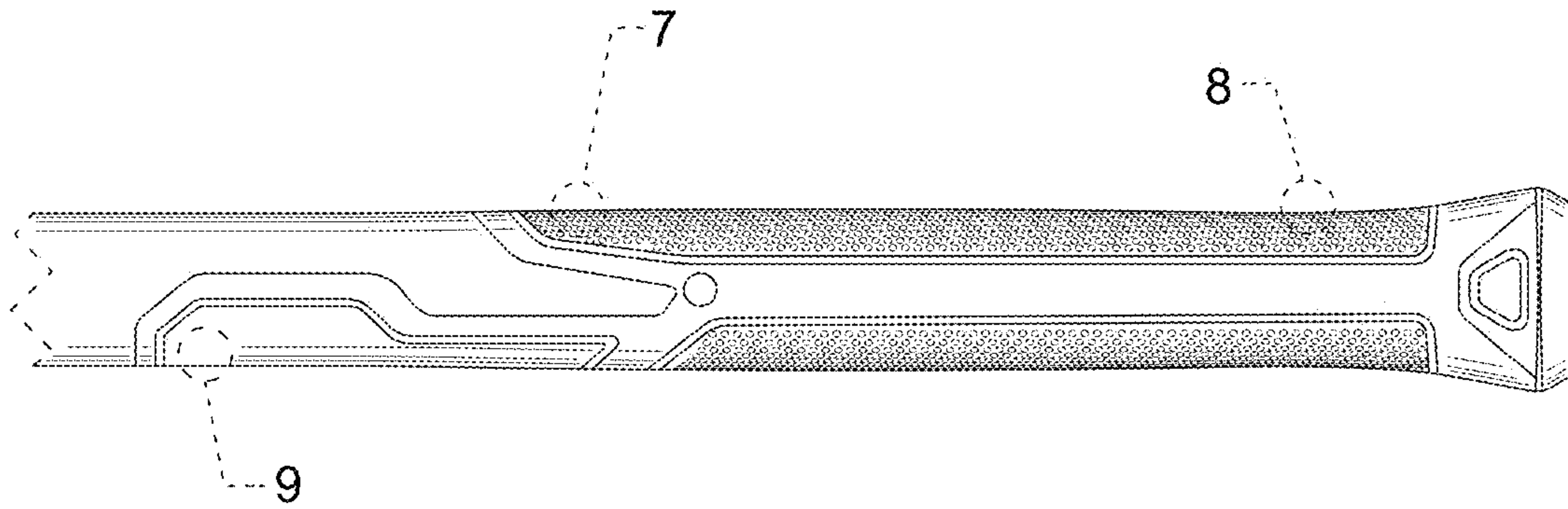


FIG. 6

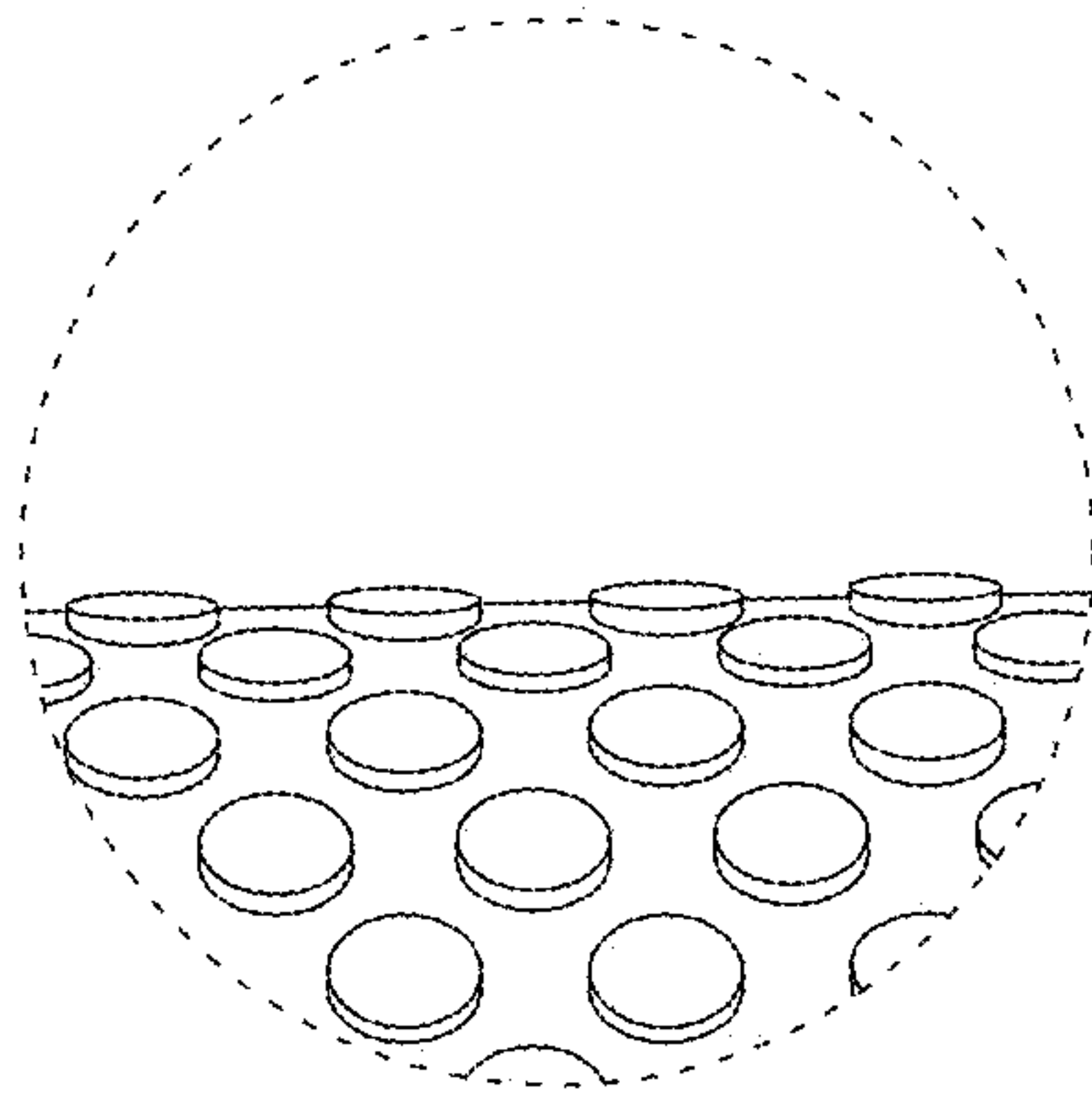


FIG. 7

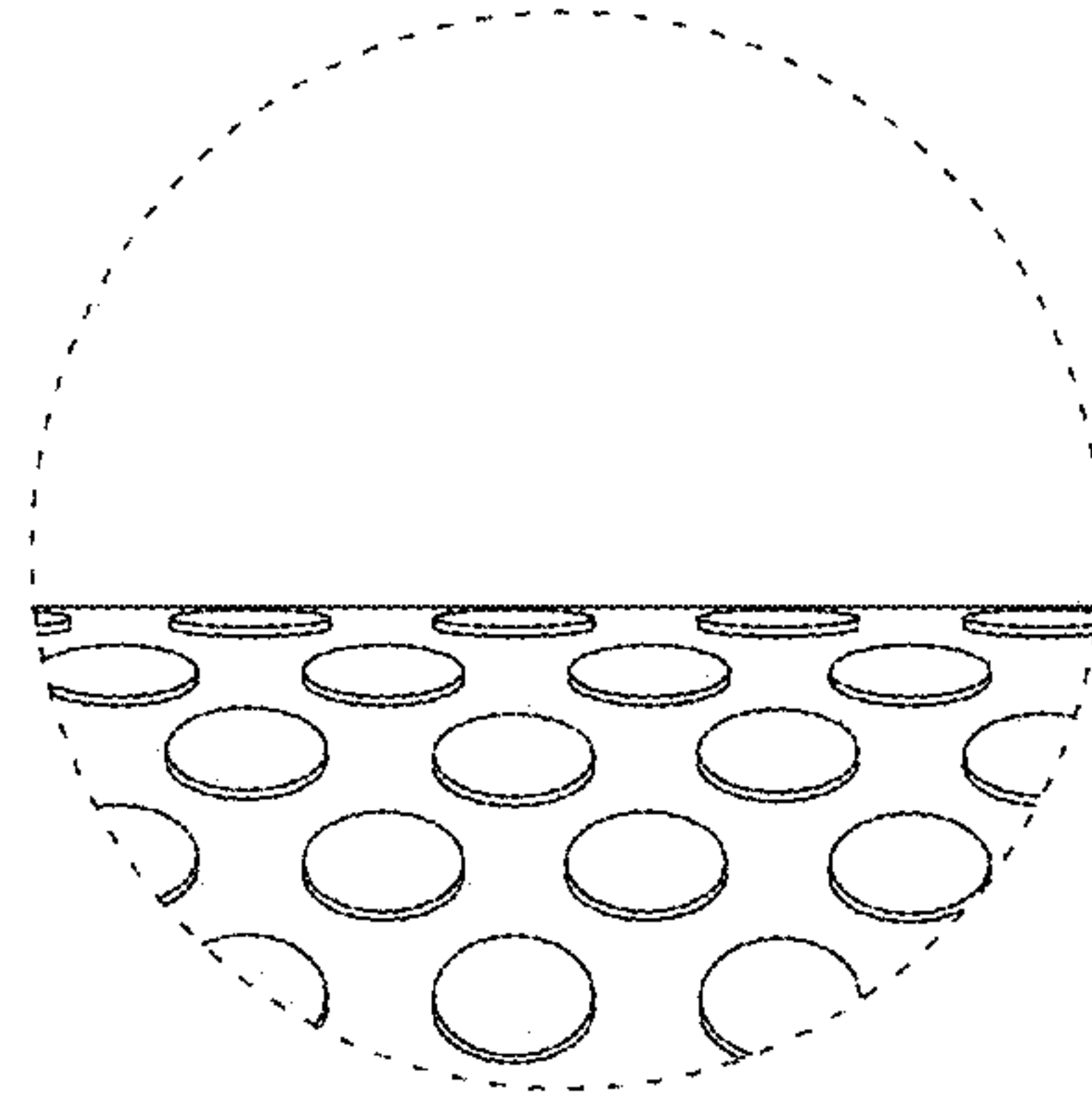


FIG. 8

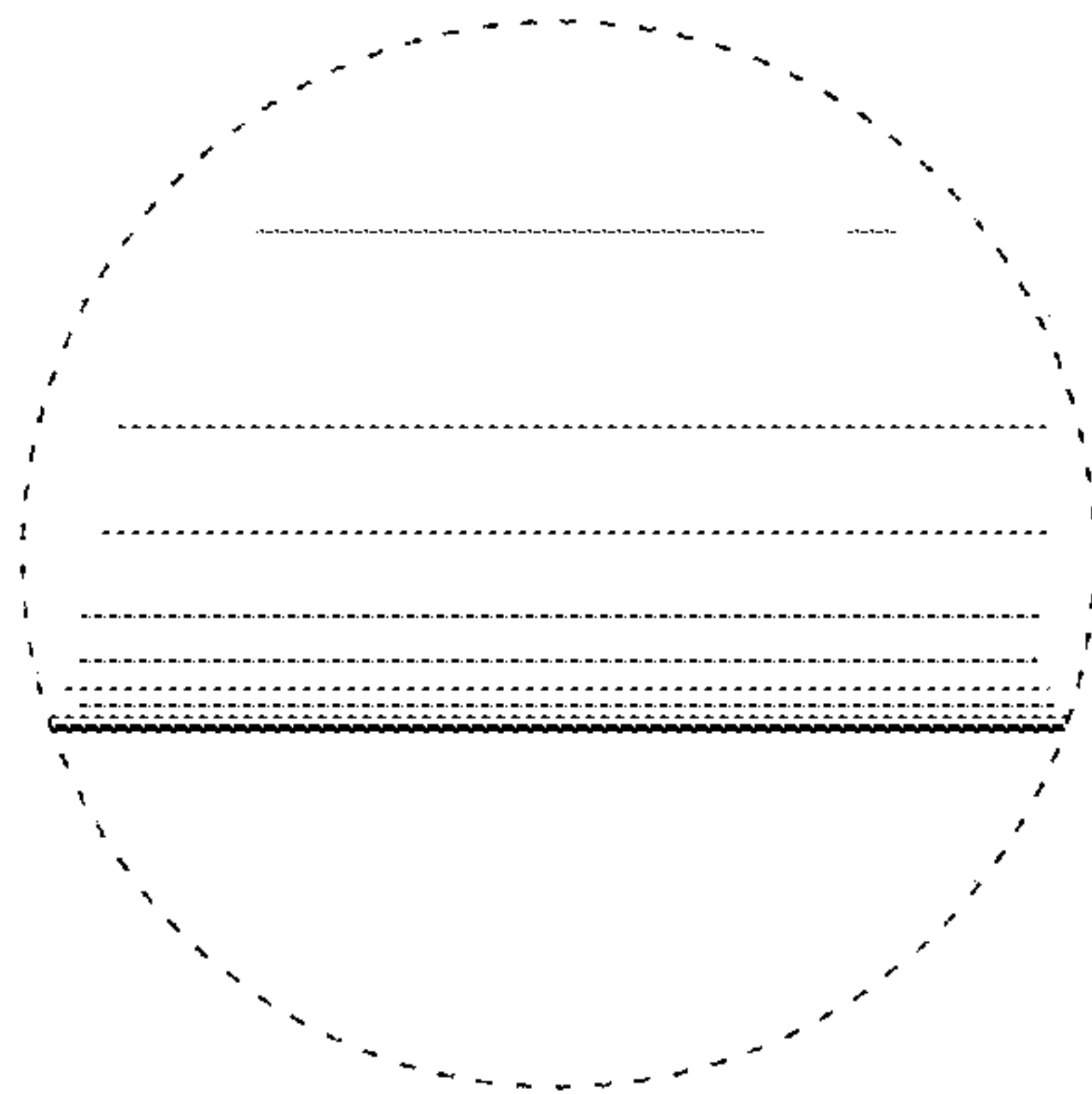


FIG. 9