



US00D982409S

(12) **United States Design Patent** (10) **Patent No.:** **US D982,409 S**
Sawa (45) **Date of Patent:** **** Apr. 4, 2023**

- (54) **TOOL BIT ADAPTER**
- (71) Applicant: **MILWAUKEE ELECTRIC TOOL CORPORATION**, Brookfield, WI (US)
- (72) Inventor: **Max R. Sawa**, Palatine, IL (US)
- (73) Assignee: **MILWAUKEE ELECTRIC TOOL CORPORATION**, Brookfield, WI (US)
- (**) Term: **15 Years**
- (21) Appl. No.: **29/782,882**
- (22) Filed: **May 10, 2021**

6,715,384 B1 4/2004 Kozak
 D504,933 S 5/2005 Hopwood
 6,920,810 B1 7/2005 Thompson et al.
 (Continued)

FOREIGN PATENT DOCUMENTS

DE 8902134 U1 8/1989
 EP 0304002 A1 2/1989
 (Continued)

OTHER PUBLICATIONS

Partial Supplementary European Search Report for Application No. 18866042.7 dated Jun. 22, 2021 (10 pages).
 (Continued)

Related U.S. Application Data

- (62) Division of application No. 29/665,953, filed on Oct. 9, 2018, now Pat. No. Des. 922,166.
- (51) **LOC (14) Cl.** **08-05**
- (52) **U.S. Cl.**
USPC **D8/70**
- (58) **Field of Classification Search**
USPC D8/14, 21, 29, 70; D15/139
CPC . B25B 13/06; B25B 13/5091; B25B 23/0035;
B25B 23/0057; B23B 31/10; B23B 31/107;
B23B 31/1071; B23B 31/1072;
B23B 31/1073
See application file for complete search history.

Primary Examiner — Philip S Hyder
 (74) *Attorney, Agent, or Firm* — Michael Best & Friedrich LLP

(57) **CLAIM**

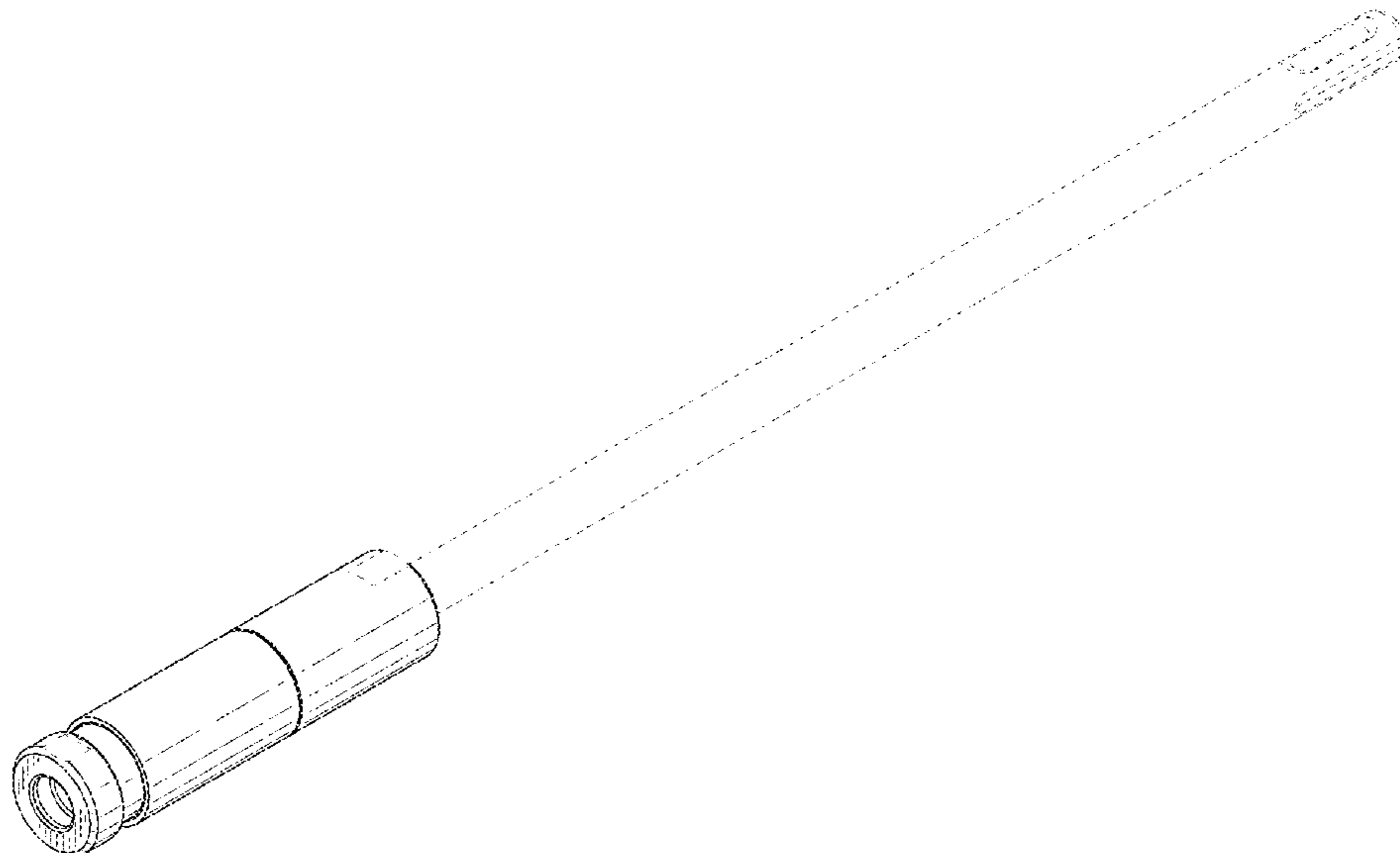
I claim the ornamental design for a tool bit adapter, as shown and described.

DESCRIPTION

FIG. 1 is a perspective view of a tool bit adapter according to one embodiment.
 FIG. 2 is a first side view of the tool bit adapter of FIG. 1.
 FIG. 3 is a second side view of the tool bit adapter of FIG. 1.
 FIG. 4 is a third side view of the tool bit adapter of FIG. 1.
 FIG. 5 is a fourth side view of the tool bit adapter of FIG. 1.
 FIG. 6 is a first end view of the tool bit adapter of FIG. 1; and,
 FIG. 7 is a second end view of the tool bit adapter of FIG. 1.
 The broken lines depict portions of the tool bit adapter in which the design is embodied that form no part of the claimed design.

- (56) **References Cited**
U.S. PATENT DOCUMENTS
- | | | | |
|-----------|----|---------|-----------------|
| 3,922,011 | A | 11/1975 | Walters |
| 4,131,165 | A | 12/1978 | Wanner et al. |
| 5,398,946 | A | 3/1995 | Quiring |
| D376,084 | S | 12/1996 | Karvinen |
| 5,615,587 | A | 4/1997 | Foerster, Jr. |
| 6,223,375 | B1 | 5/2001 | Vaughn, Jr. |
| 6,364,318 | B1 | 4/2002 | Bedi et al. |
| 6,511,268 | B1 | 1/2003 | Vasudeva et al. |

1 Claim, 3 Drawing Sheets



(56)

References Cited

U.S. PATENT DOCUMENTS

7,435,042 B2 10/2008 White et al.
 7,469,909 B2 12/2008 Strauch et al.
 7,669,860 B2 3/2010 Chiang
 7,922,180 B2 4/2011 Meng
 D642,882 S 8/2011 Lane
 D659,730 S 5/2012 Cantlon
 D673,193 S 12/2012 Dickrede
 8,468,913 B1 6/2013 Bond
 8,505,418 B1 8/2013 Chiang
 D705,282 S 5/2014 Jones, Jr.
 8,733,216 B1 5/2014 Cantlon
 8,770,898 B2 7/2014 Nordlin
 8,800,999 B2 8/2014 Puzio et al.
 8,864,144 B2 10/2014 Hsu
 9,089,901 B2 7/2015 White et al.
 D736,053 S 8/2015 Zhang
 9,463,559 B1 10/2016 Chan
 D772,030 S 11/2016 Andersen
 9,844,818 B2 12/2017 White et al.
 D853,808 S 7/2019 Hyma et al.
 2003/0140744 A1 7/2003 Chen
 2006/0228181 A1 10/2006 Kozak
 2006/0254394 A1 11/2006 Cantlon et al.
 2007/0187452 A1 8/2007 Budzisz

2007/0214916 A1 9/2007 Lee
 2012/0025474 A1 2/2012 Huang
 2012/0301238 A1 11/2012 Quinn et al.
 2014/0097582 A1 4/2014 Wang
 2015/0102567 A1 4/2015 Chan
 2015/0217434 A1 8/2015 Funk et al.
 2017/0165818 A1 6/2017 Zimmermann et al.

FOREIGN PATENT DOCUMENTS

EP 0928668 A2 7/1999
 EP 1245341 A2 10/2002
 EP 1400655 A2 3/2004
 EP 2517836 A2 10/2012
 EP 2689895 A1 1/2014
 JP 3143187 B2 3/2001
 JP 2014100774 A 6/2014
 JP 3201562 U 12/2015

OTHER PUBLICATIONS

Relton Corporation, "SDS+ Extensions & Quik-Lok Adapters",
 <<http://relton.com/quik-lok-adaptors/>> website available as early as
 Jul. 19, 2016, 2 pages.
 Extended European Search Report for Application No. 18866042.7
 dated Dec. 21, 2021 (12 pages).

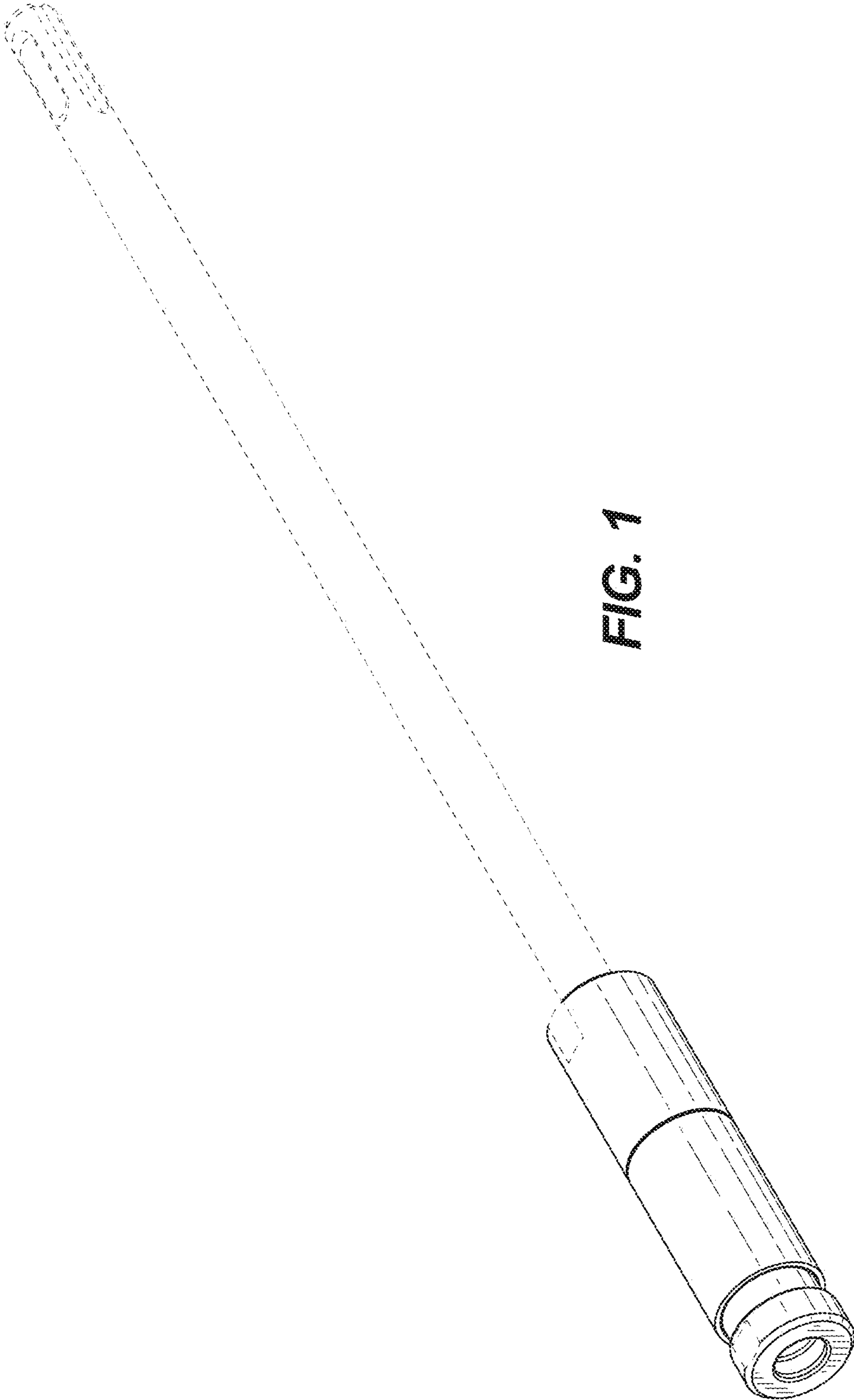


FIG. 1

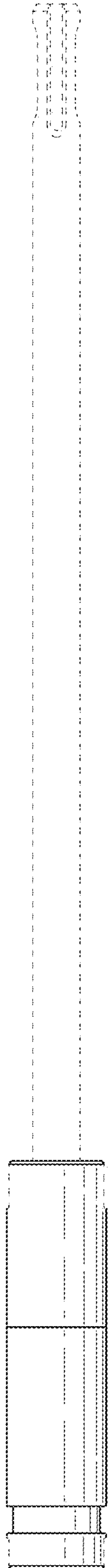


FIG. 2

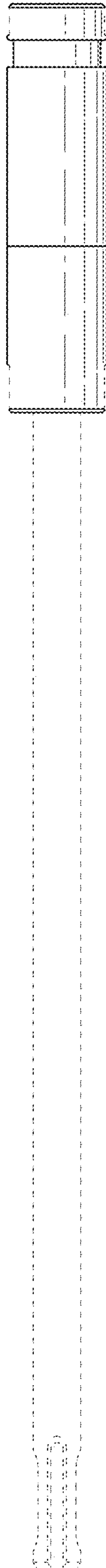


FIG. 3

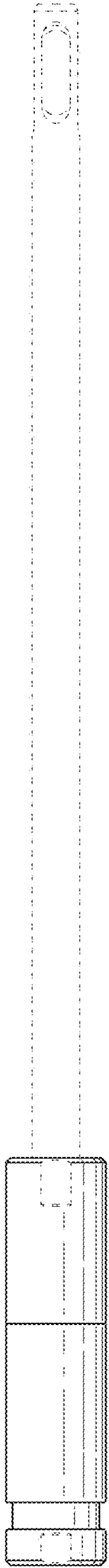


FIG. 4

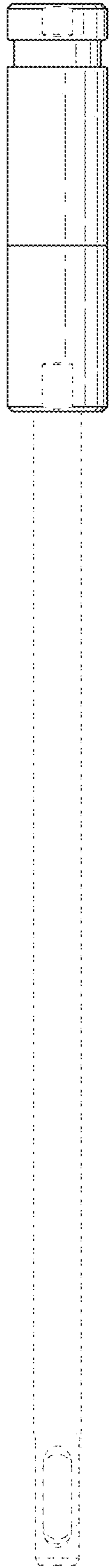


FIG. 5

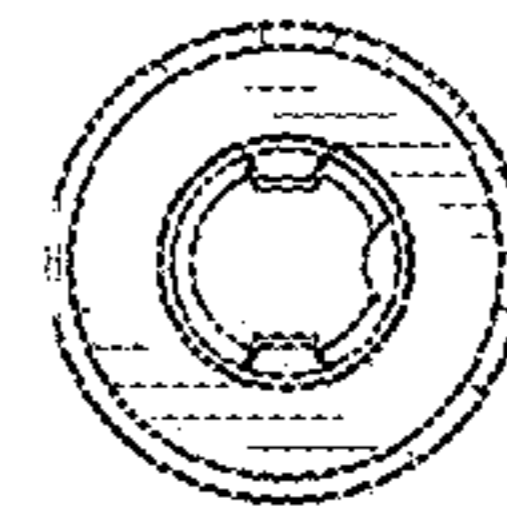


FIG. 6

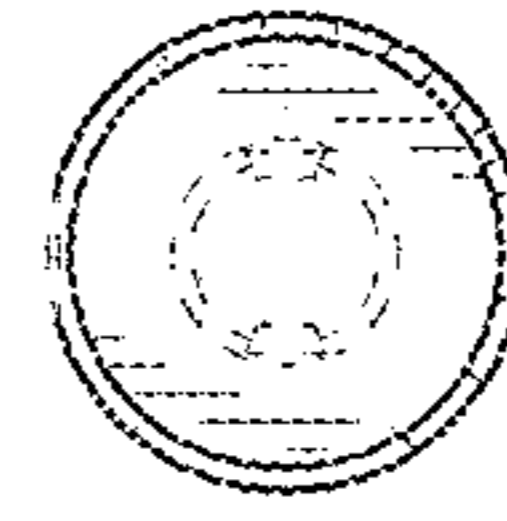


FIG. 7