



US00D982408S

(12) **United States Design Patent**
Chen

(10) **Patent No.:** **US D982,408 S**

(45) **Date of Patent:** **** Apr. 4, 2023**

- (54) **CHUCK FOR TOOL BITS**
- (71) Applicant: **GOOD YEAR HARDWARE CO., LTD.**, Changhua County (TW)
- (72) Inventor: **Tsai-Ching Chen**, Changhua County (TW)
- (73) Assignee: **GOOD YEAR HARDWARE CO., LTD.**, Changhua County (TW)

D497,300 S * 10/2004 Chen D8/70
 7,210,382 B2 * 5/2007 McCracken B25B 23/0064
 81/125
 D589,319 S * 3/2009 Peters D8/70
 D609,073 S * 2/2010 Lin D15/140
 D620,035 S * 7/2010 Eades D15/139
 8,733,216 B1 * 5/2014 Cantion B25B 23/12
 81/439
 D784,103 S * 4/2017 Hsu D8/71
 D813,003 S * 3/2018 Chang D8/86
 D862,190 S * 10/2019 Taylor D8/70

(Continued)

(**) Term: **15 Years**

(21) Appl. No.: **29/773,860**

(22) Filed: **Mar. 12, 2021**

(51) **LOC (14) Cl.** **08-05**

(52) **U.S. Cl.**
USPC **D8/70**

(58) **Field of Classification Search**
 USPC D6/315, 317, 318; D8/370, 373, 375,
 D8/372, 374; D19/65, 34, 75, 86, 90, 91,
 D19/99, 100
 CPC F01D 5/066; F05D 2300/173; Y10T
 428/12063; Y10T 279/3406; B23D 51/08;
 B23D 51/10; B23D 2251/64; B25B
 23/0035; B25B 27/18; B25B 15/001;
 B25B 23/0021; B25G 3/14; B25G 3/26;
 B25G 3/12; B25G 3/20; B25F 3/00

See application file for complete search history.

(56) **References Cited**

U.S. PATENT DOCUMENTS

4,664,567 A * 5/1987 Edwards B23B 51/0486
 D15/139
 D359,216 S * 6/1995 Kozak D8/70
 D415,180 S * 10/1999 Rosanwo D15/140
 5,971,674 A * 10/1999 Holley B23B 51/04
 408/59
 6,105,473 A * 8/2000 Huang B25B 23/005
 81/177.8
 6,171,033 B1 * 1/2001 Wrobel B23B 51/126
 408/239 R

OTHER PUBLICATIONS

Titan Tools, by Titian Tools Store on Amazon.com. Dated Apr. 1, 2004. Found online [Dec. 28, 2022]. <https://www.amazon.com/Titan-Tools-16012-Release-Extension/dp/B00132EFEQ>.*

Primary Examiner — Eliza Z Harvey
Assistant Examiner — Kayla Marie Bennett
 (74) *Attorney, Agent, or Firm* — Bruce Stone LLP;
 Joseph A. Bruce

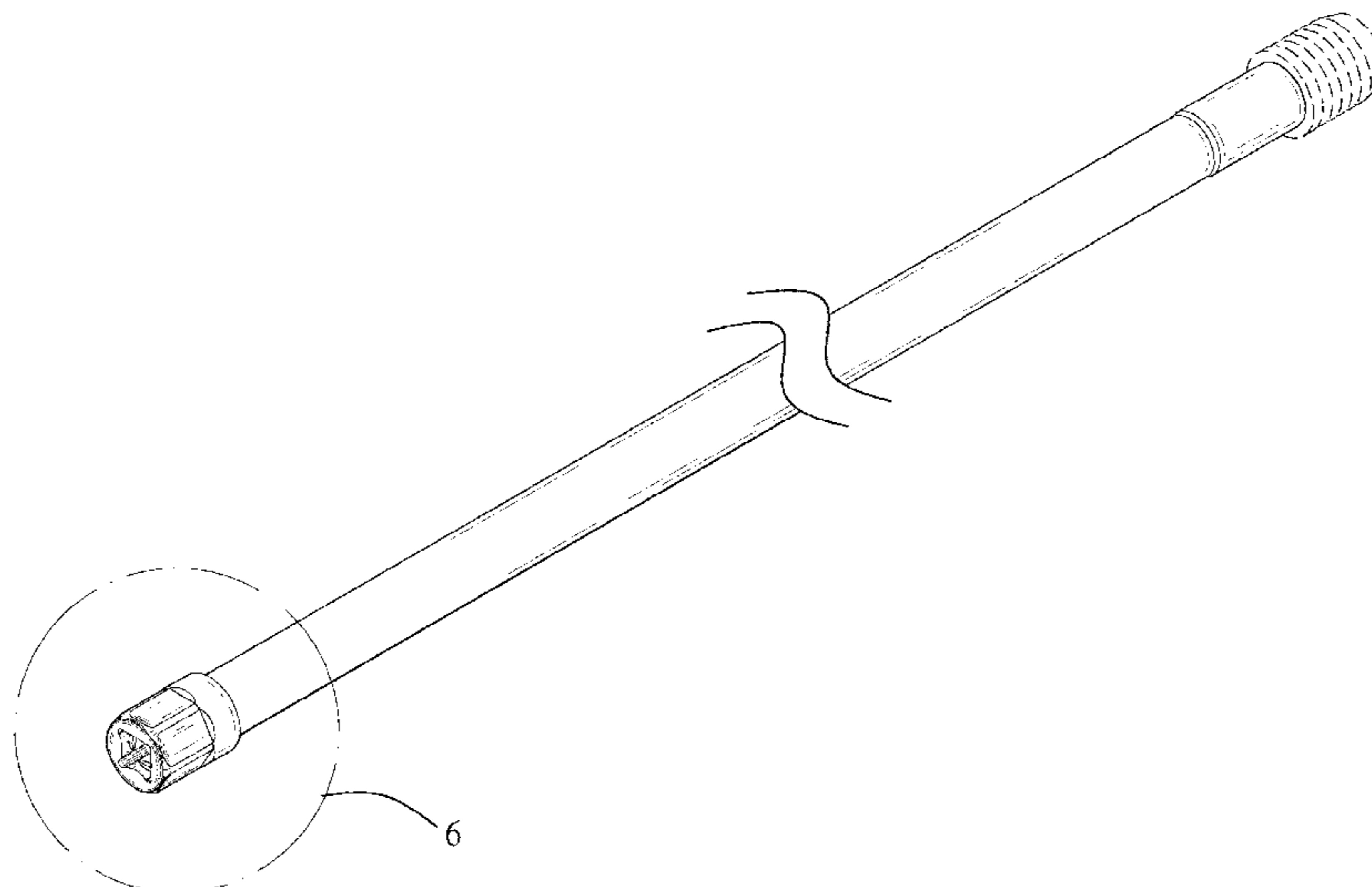
(57) **CLAIM**

The ornamental design for a chuck for tool bits, as shown and described.

DESCRIPTION

FIG. 1 is a top front perspective view of a chuck for tool bits, showing the new design;
 FIG. 2 is a top plan view thereof; and,
 FIG. 3 is a front elevational view thereof;
 FIG. 4 is a rear elevational view thereof;
 FIG. 5 is another top front perspective view thereof at a viewing angle different from FIG. 1;
 FIG. 6 is a partial enlarged view of FIG. 1; and,
 FIG. 7 is a partial enlarged view of FIG. 5.
 The broken lines in the figures show portions of the chuck for tool bits that form no part of the claimed design.

1 Claim, 6 Drawing Sheets



(56)

References Cited

U.S. PATENT DOCUMENTS

D953,137 S * 5/2022 Fu D8/70
D953,138 S * 5/2022 Fu D8/70
D970,325 S * 11/2022 Fu D8/70
2013/0019721 A1* 1/2013 Starogiannis B25B 23/0035
81/436
2022/0111499 A1* 4/2022 Hershey B25B 23/0035

* cited by examiner

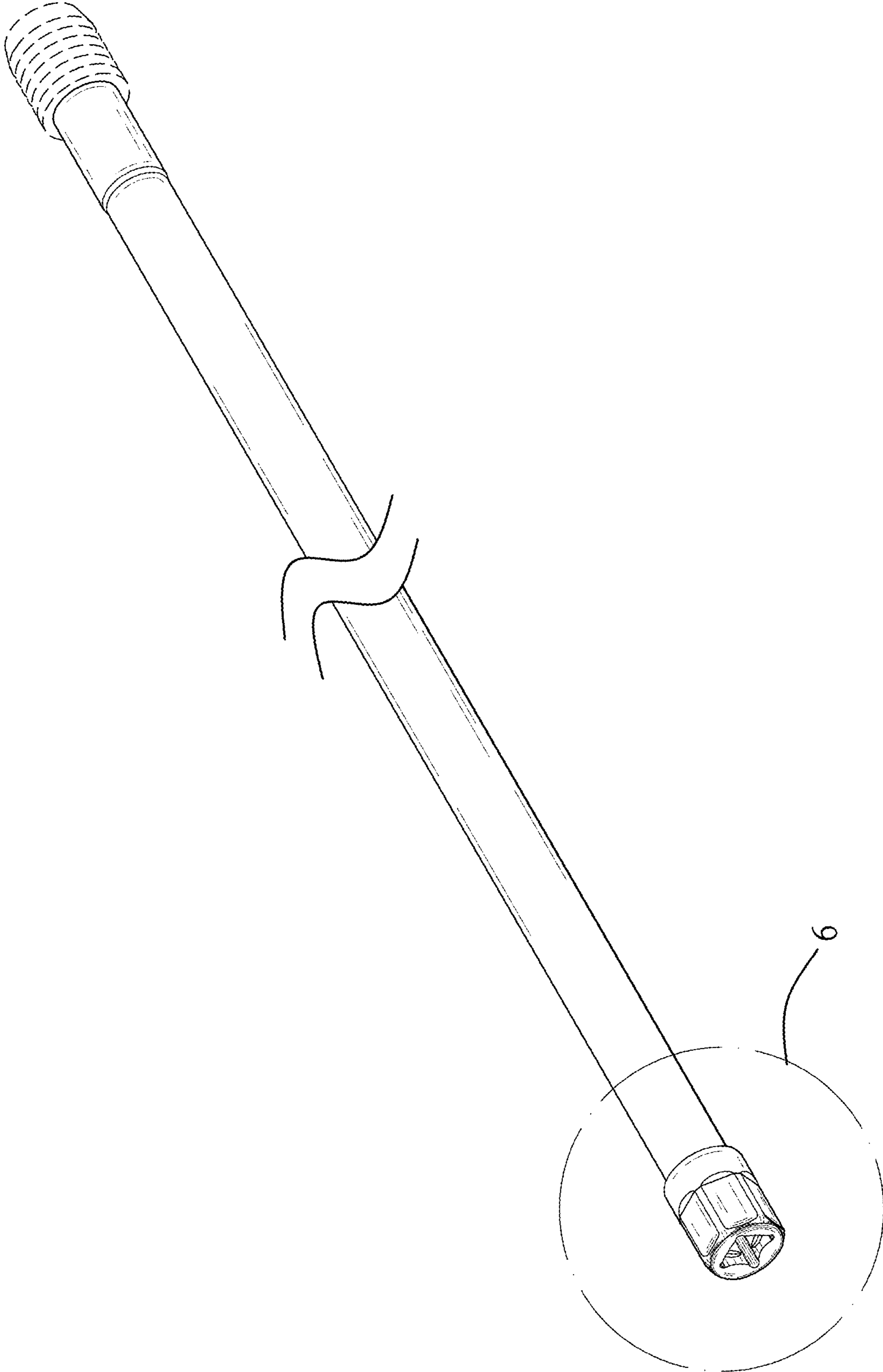


FIG.1

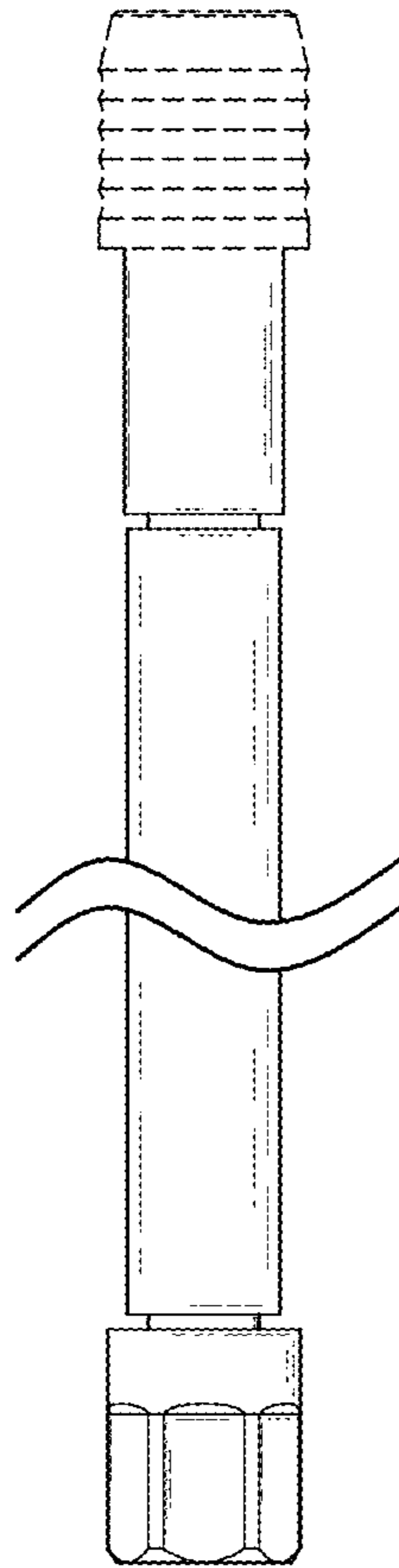


FIG.2

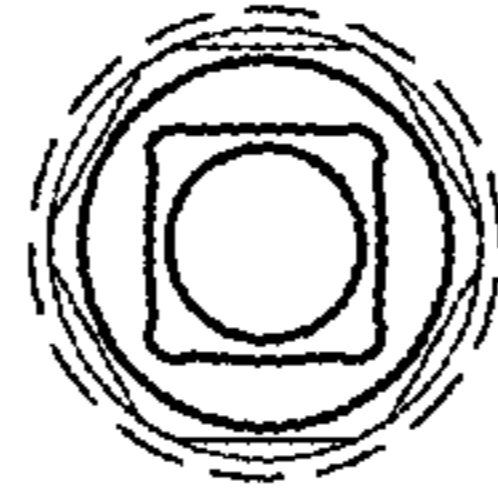


FIG.3

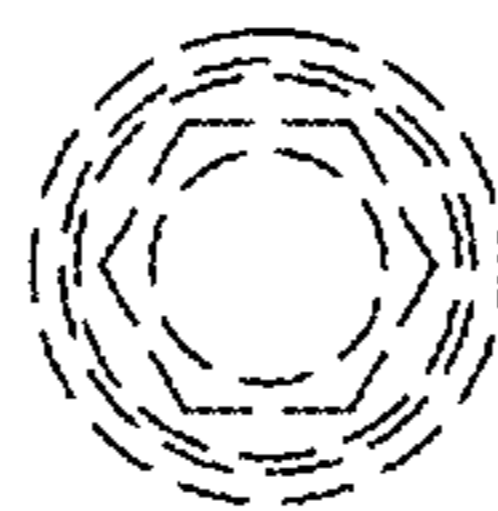


FIG.4

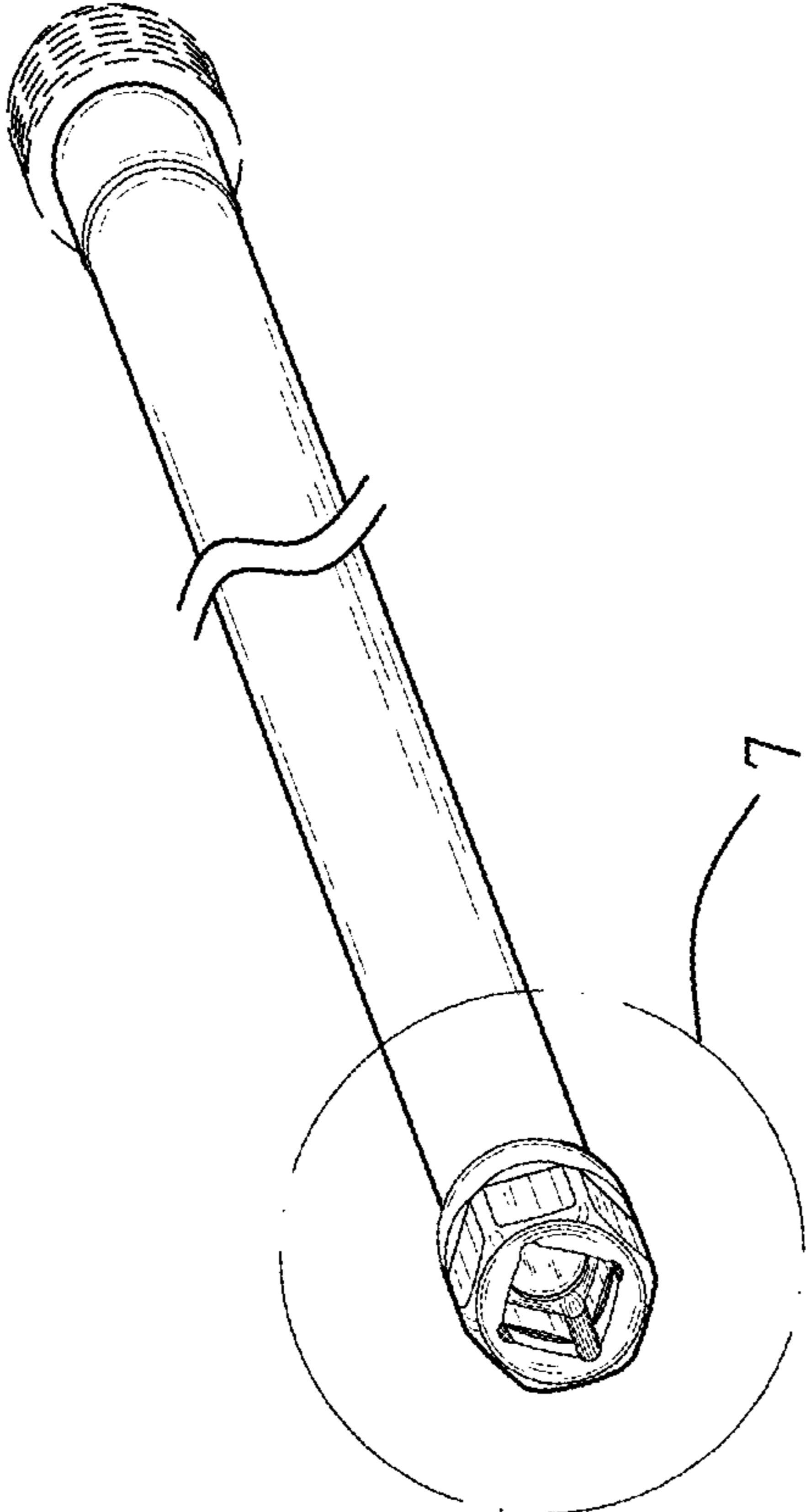


FIG.5

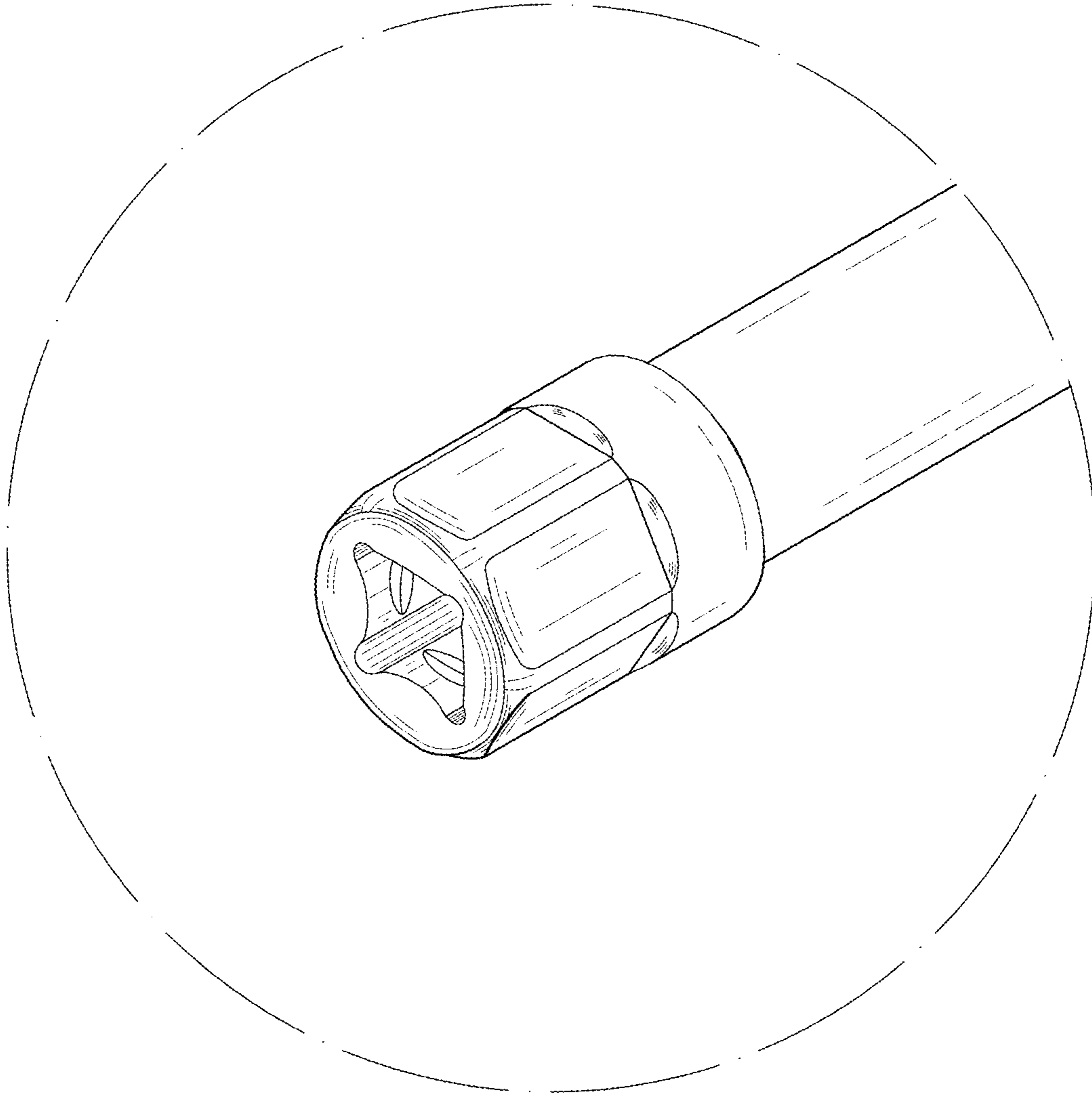


FIG.6

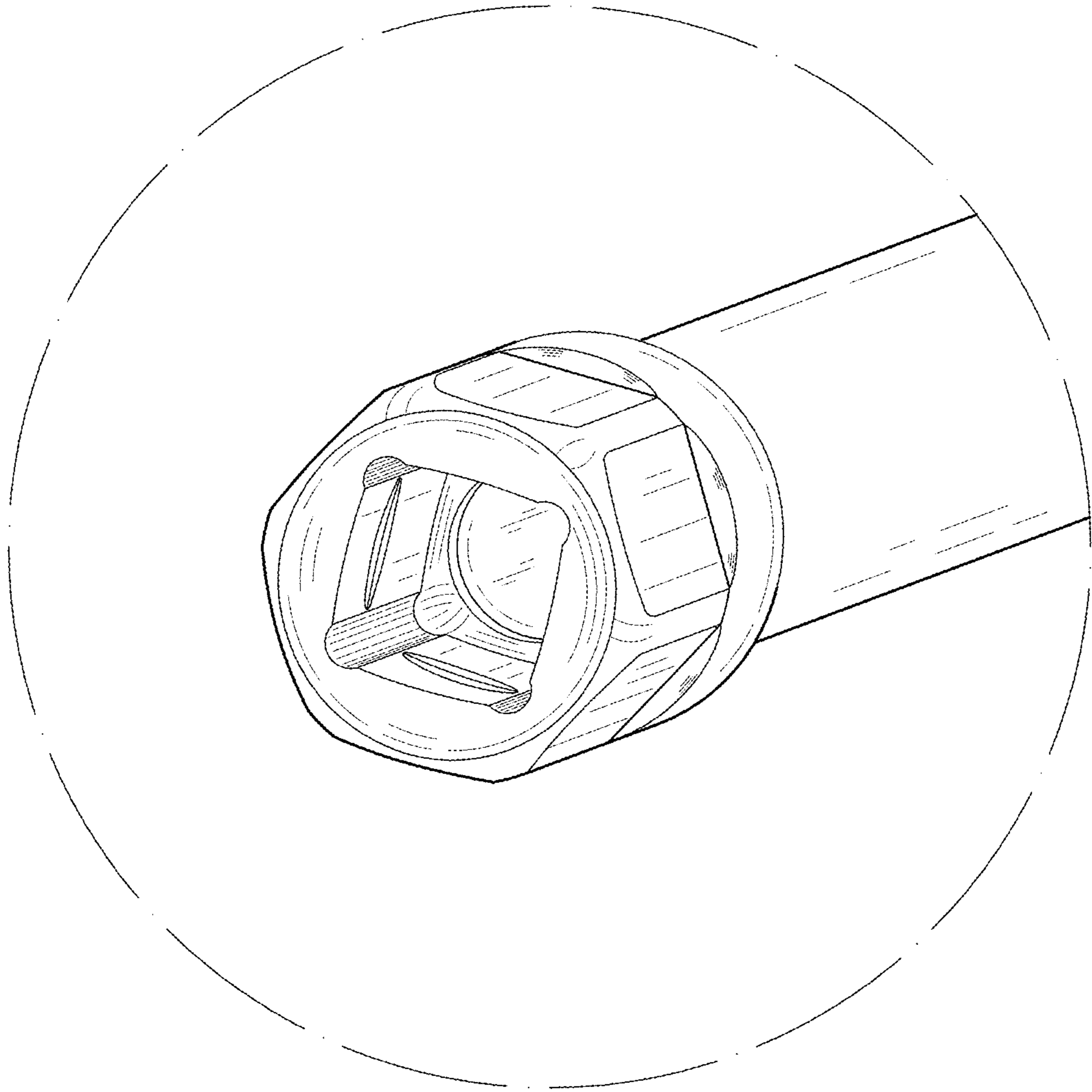


FIG. 7