



US00D982402S

(12) **United States Design Patent**
Lindoro et al.

(10) **Patent No.:** **US D982,402 S**
(45) **Date of Patent:** **** Apr. 4, 2023**

(54) **ANGLE HEAD**
(71) Applicant: **ATLAS COPCO INDUSTRIAL**
TECHNIQUE AB, Stockholm (SE)
(72) Inventors: **Francisco Lindoro**, Stockholm (SE);
Tobias Larsson, Årsta (SE)
(73) Assignee: **ATLAS COPCO INDUSTRIAL**
TECHNIQUE AB, Stockholm (SE)

2,787,180 A * 4/1957 Fish B25B 21/004
81/57.29
2,810,313 A * 10/1957 Hermanson B25B 13/46
81/DIG. 8
4,130,032 A * 12/1978 Giandomenico B25B 13/02
81/176.1
4,688,454 A * 8/1987 Scull B25B 13/08
81/177.8
D324,801 S 3/1992 Caskey et al.
(Continued)

(**) Term: **15 Years**
(21) Appl. No.: **29/737,793**
(22) Filed: **Jun. 11, 2020**

(30) **Foreign Application Priority Data**
Dec. 19, 2019 (EM) 007432422-0003
(51) **LOC (14) Cl.** **08-05**
(52) **U.S. Cl.**
USPC **D8/25**
(58) **Field of Classification Search**
USPC D8/25, 68, 70
CPC B25B 13/08; B25B 13/463; B25B 13/465;
B25B 13/467; B25B 13/468; Y10S 81/08
See application file for complete search history.

(56) **References Cited**
U.S. PATENT DOCUMENTS
2,636,411 A * 4/1953 Wood B25B 13/463
81/60
2,680,985 A * 6/1954 Fish B25B 13/463
81/DIG. 8
2,691,315 A * 10/1954 Brameallen B25B 13/463
81/62
2,700,315 A * 1/1955 Hermanson B25B 13/46
81/90.1
2,711,110 A * 6/1955 Brame B25B 21/004
81/62
2,715,347 A * 8/1955 Johnson B25B 13/08
81/124.2

OTHER PUBLICATIONS

“Open end auto wrench”, Aug. 26, 2012, YouTube.com, site visited
Apr. 2, 2022: <https://www.youtube.com/watch?v=xF7uax2Tilg> (Year:
2012).*

(Continued)

Primary Examiner — Jack Reickel
Assistant Examiner — Michael A Kervin
(74) *Attorney, Agent, or Firm* — Holtz, Holtz & Volek PC

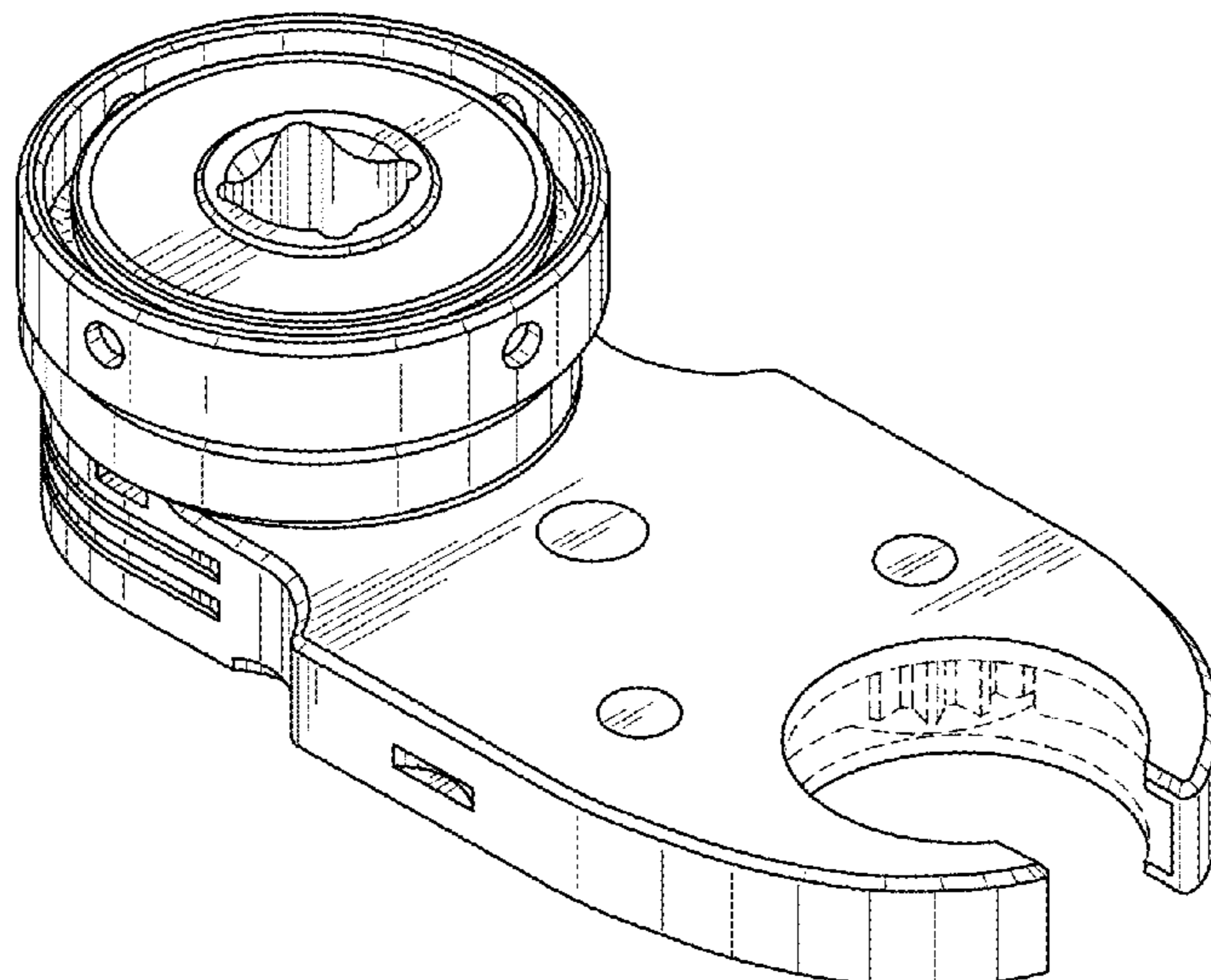
(57) **CLAIM**

The ornamental design for an angle head, as shown and
described.

DESCRIPTION

FIG. 1 is a front, top, left side perspective view of an angle
head showing our new design;
FIG. 2 is a right side elevational view thereof;
FIG. 3 is a left side elevational view thereof;
FIG. 4 is a top plan view thereof;
FIG. 5 is a bottom plan view thereof;
FIG. 6 is a rear elevational view thereof;
FIG. 7 is a front elevational view thereof; and,
FIG. 8 is a rear, top, left side perspective view thereof.
The broken line showing of an angle head is for the purpose
of illustrating portions of the article and forms no part of the
claimed design.

1 Claim, 3 Drawing Sheets



(56)

References Cited

U.S. PATENT DOCUMENTS

D336,228 S 6/1993 Anderson et al.
 5,287,777 A * 2/1994 Kolodziej B25B 13/46
 81/139
 D357,848 S 5/1995 Izumisawa
 D361,028 S 8/1995 Izumisawa
 D372,850 S 8/1996 Dubuque et al.
 5,544,553 A * 8/1996 Galat B25B 21/002
 81/57.3
 5,940,950 A * 8/1999 Galat B23P 19/047
 29/243.58
 D439,124 S 3/2001 Duennes
 D471,775 S * 3/2003 Wang D8/25
 D512,287 S * 12/2005 Li D8/25
 7,052,382 B2 5/2006 Baker
 7,077,736 B2 7/2006 Uzumcu et al.
 D567,830 S 4/2008 Neumann et al.
 D577,270 S * 9/2008 Roose D8/25
 D578,361 S * 10/2008 Chen D8/25
 D580,721 S * 11/2008 Chen D8/25
 D584,750 S 1/2009 Neumann et al.
 D587,978 S 3/2009 Aglassinger
 D595,321 S 6/2009 Neumann et al.
 D605,007 S * 12/2009 Robinson D8/25
 D605,008 S * 12/2009 Robinson D8/25
 D605,009 S * 12/2009 Robinson D8/25
 D694,083 S 11/2013 Yaschur
 D702,099 S 4/2014 Yaschur
 D744,797 S * 12/2015 Wang D8/25

9,592,600 B2 3/2017 Seith et al.
 D786,639 S * 5/2017 Yang D8/27
 D821,833 S * 7/2018 Liu D8/25
 D856,103 S * 8/2019 Iwama D8/70
 D939,304 S * 12/2021 Lindoro D8/61
 2006/0137492 A1 * 6/2006 Melos B25B 13/463
 81/62
 2008/0003070 A1 1/2008 Hor
 2009/0260488 A1 * 10/2009 Kanazawa B25B 17/00
 81/58.2
 2010/0101376 A1 * 4/2010 Chen B25B 13/04
 81/60
 2017/0057057 A1 * 3/2017 Wilson, Jr. B25B 17/02
 2017/0297175 A1 * 10/2017 Lin B25B 13/08

OTHER PUBLICATIONS

“Straight on Open End Demo”, Jan. 17, 2014, YouTube.com, site visited Apr. 2, 2022: https://www.youtube.com/watch?v=7zz_UfwuQY (Year: 2014).
 “M. Shimizu—Desenvolvimento de cabeçotes Tubenut”, Oct. 21, 2015, YouTube.com, site visited Apr. 2, 2022: <https://www.youtube.com/watch?v=zZnMIHMKGgQ> (Year: 2015).
 Notice of Allowance dated Sep. 9, 2021 issued in related U.S. Appl. No. 29/737,790.
 Design U.S. Appl. No. 29/737,786; First Named Inventor: Francisco Lindoro; filed Jun. 11, 2020; Title: “Angle Head”.
 Design U.S. Appl. No. 29/737,790; First Named Inventor: Francisco Lindoro; filed Jun. 11, 2020; Title: “Angle Head”.

* cited by examiner

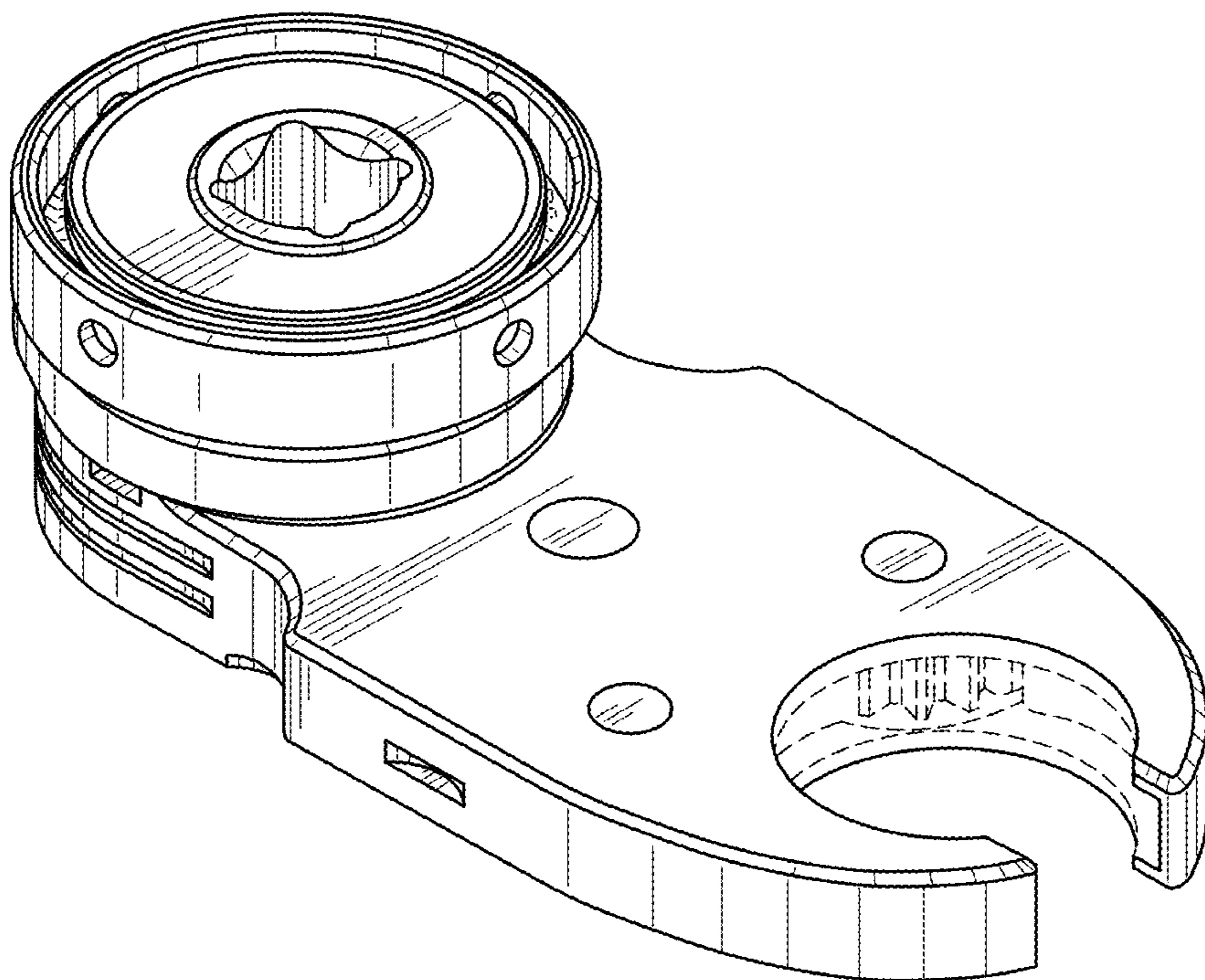


FIG. 1

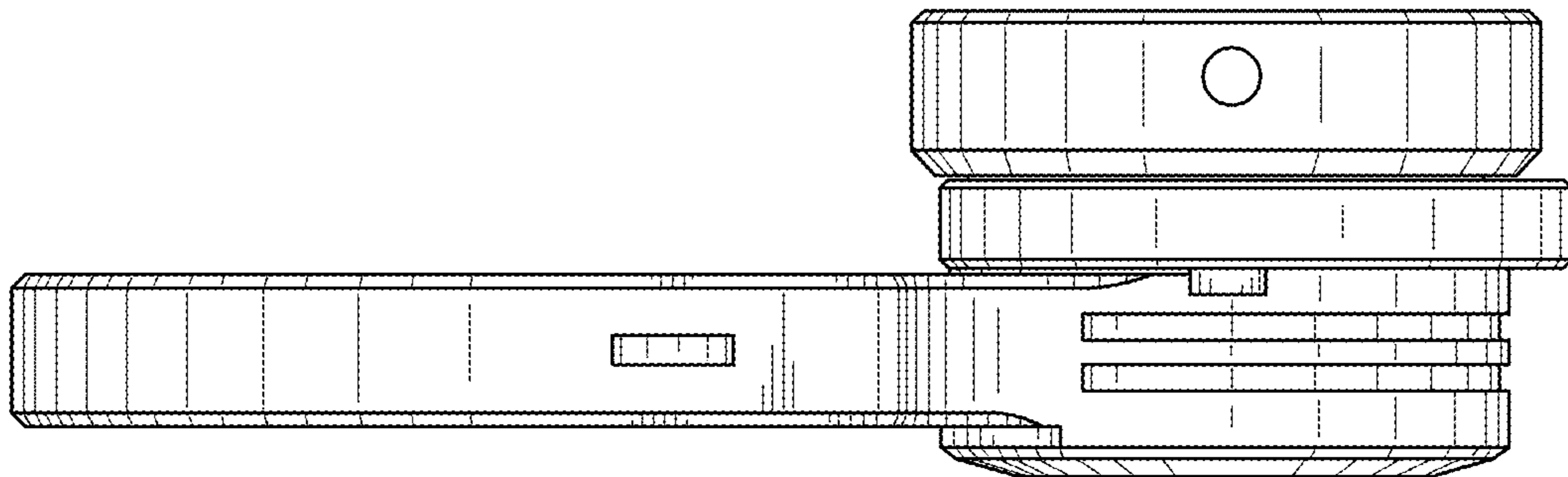


FIG. 2

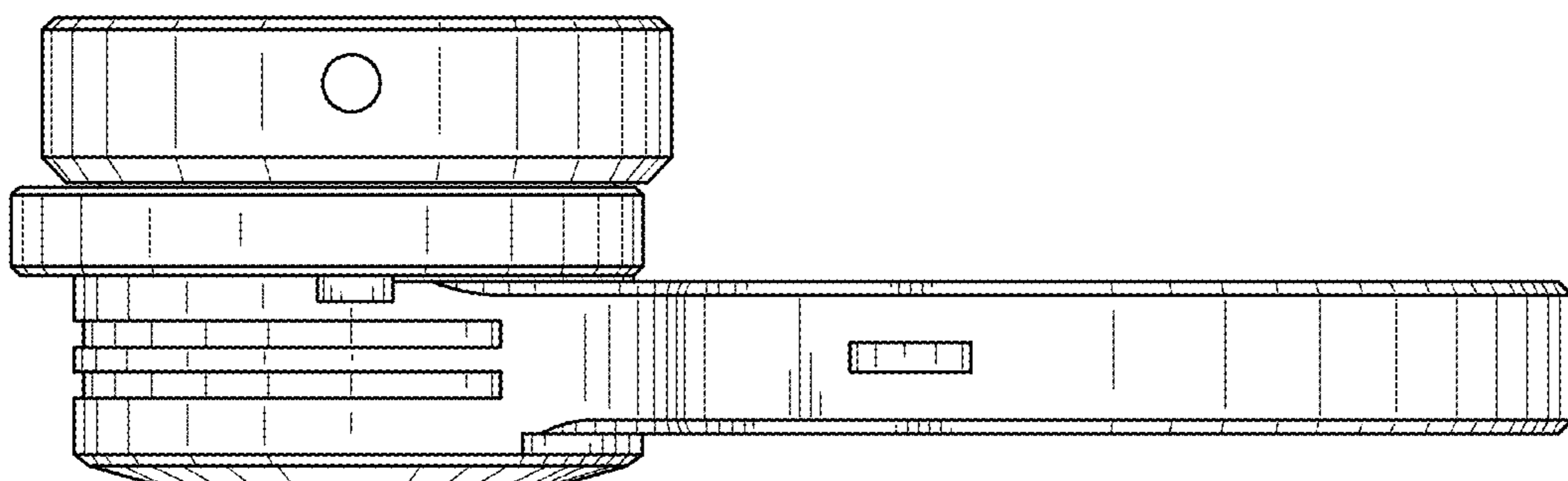


FIG. 3

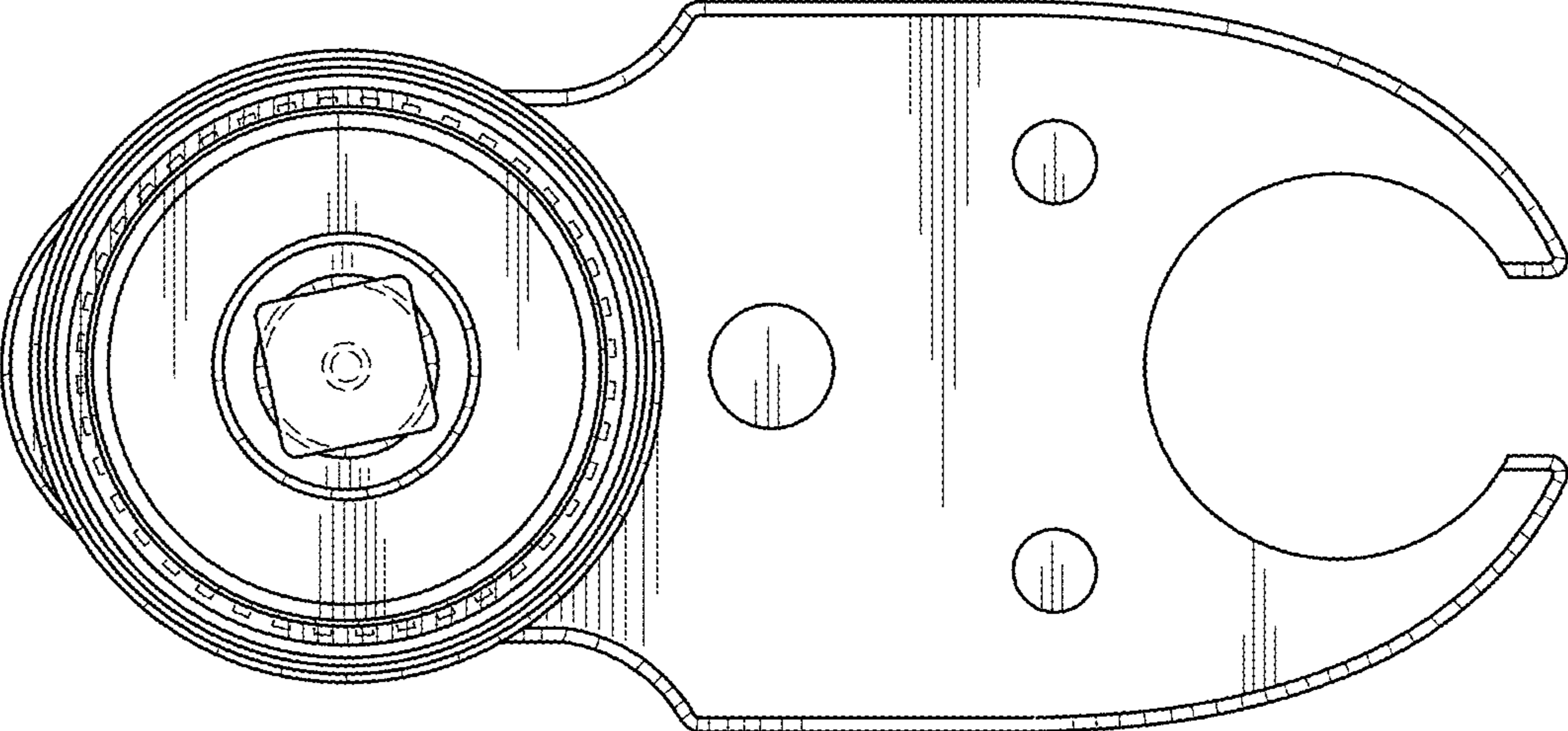


FIG. 4

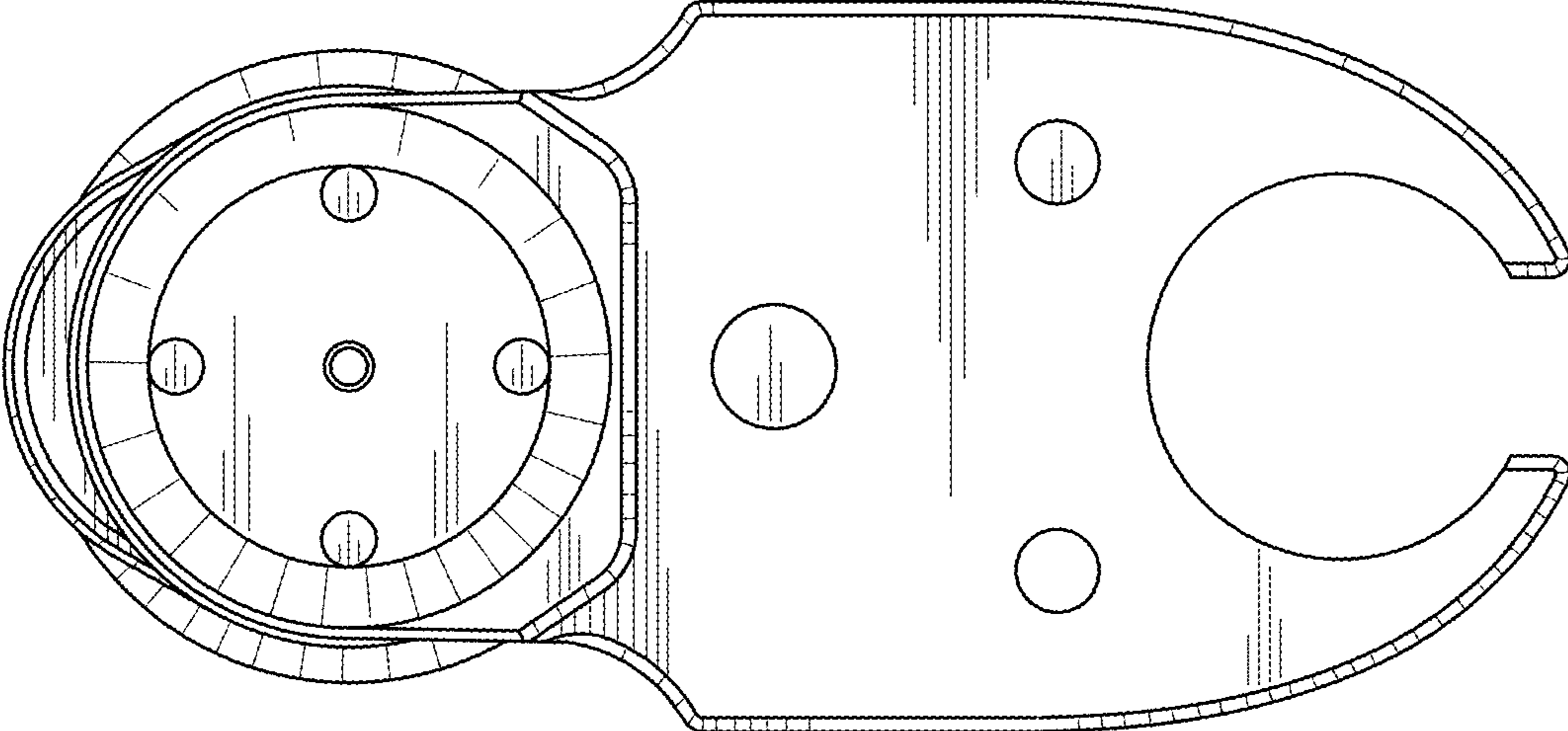


FIG. 5

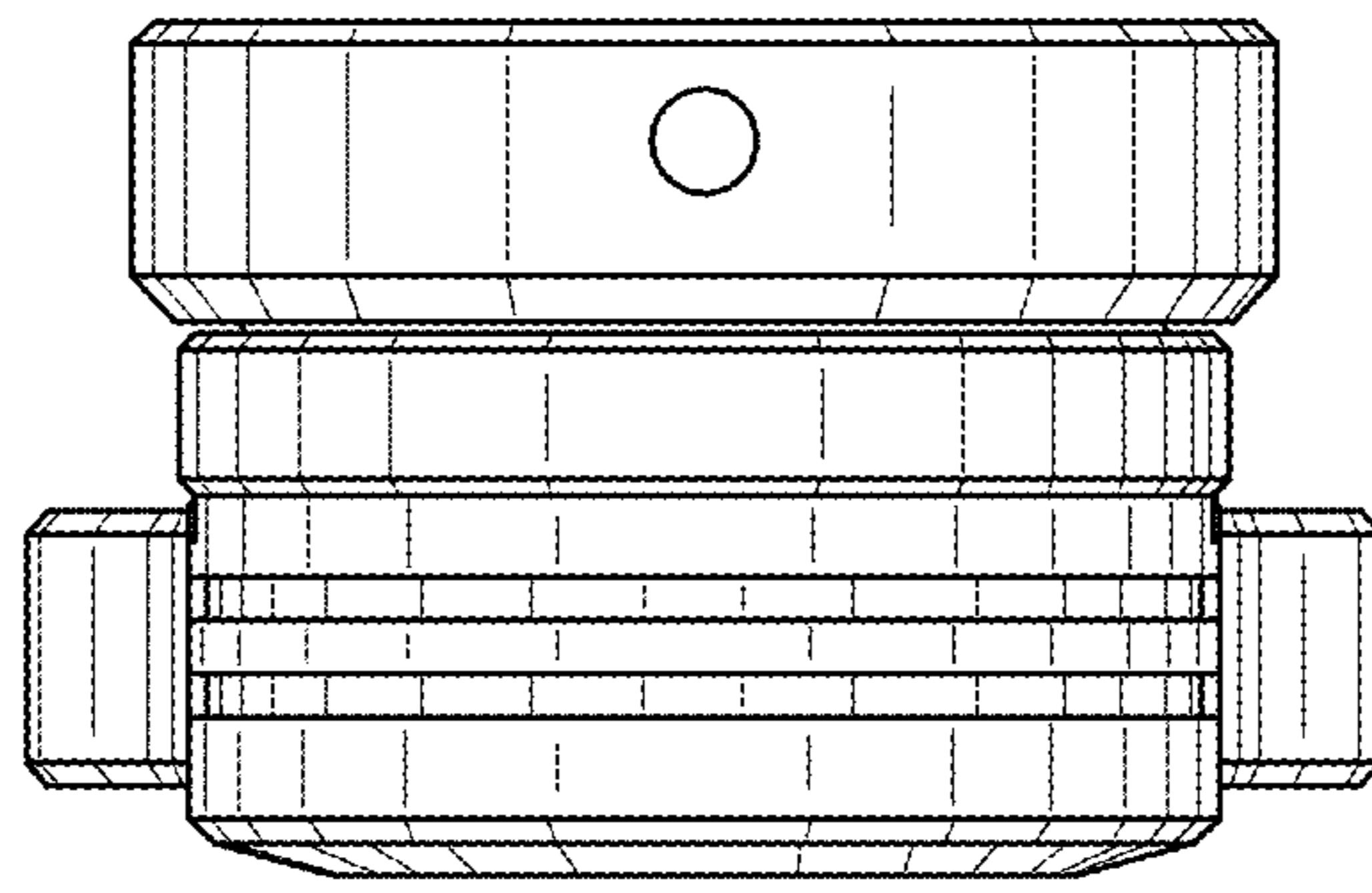


FIG. 6

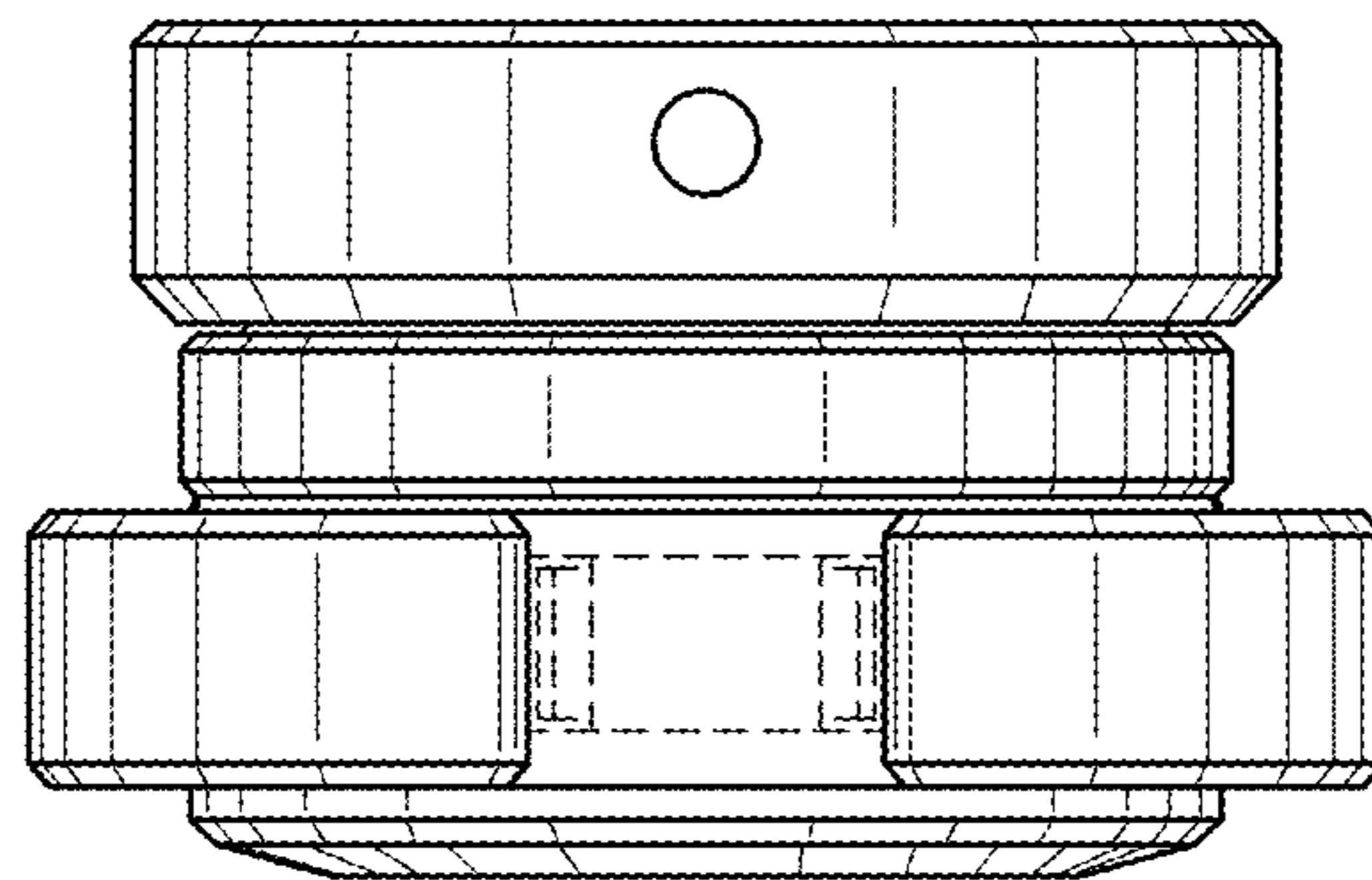


FIG. 7

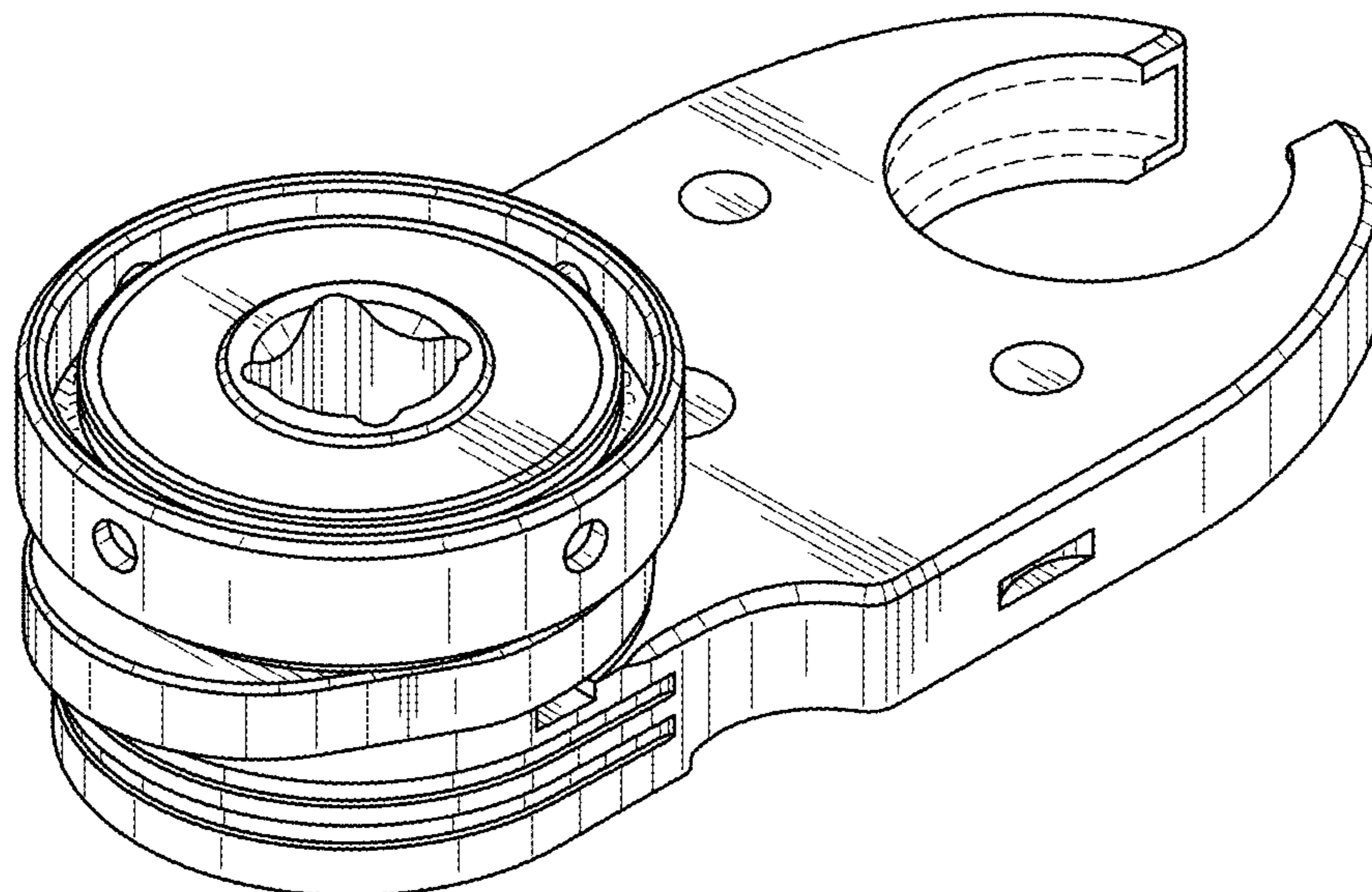


FIG. 8