



US00D982400S

(12) **United States Design Patent** (10) **Patent No.:** **US D982,400 S**  
**Folley** (45) **Date of Patent:** **\*\* Apr. 4, 2023**

(54) **CAULK TUBE WITH REMOVABLE TOP**

(71) Applicant: **Scott David Folley**, Rockville, MD (US)

(72) Inventor: **Scott David Folley**, Rockville, MD (US)

(\*\*) Term: **15 Years**

(21) Appl. No.: **29/749,274**

(22) Filed: **Sep. 3, 2020**

(51) **LOC (14) Cl.** ..... **08-05**

(52) **U.S. Cl.**  
USPC ..... **D8/14.1**

(58) **Field of Classification Search**  
USPC ..... D8/14.1; D9/724, 440  
CPC ..... B05C 17/00506; B05C 17/00508; B05C 17/00516; B01F 13/0023  
See application file for complete search history.

(56) **References Cited**

U.S. PATENT DOCUMENTS

- 3,189,226 A \* 6/1965 Sherbondy ..... B05C 17/0143 222/82
- 4,022,355 A \* 5/1977 Sabaka ..... B05C 17/00576 222/327
- 4,135,644 A \* 1/1979 Pacetti ..... B05C 17/0143 222/326
- 5,242,091 A \* 9/1993 Ishida ..... B65D 83/0005 222/386

- D458,677 S \* 6/2002 Farris ..... D24/112
- D607,345 S \* 1/2010 Bleimeyer ..... D9/724
- D726,553 S \* 4/2015 Koptis ..... D9/724
- D927,319 S \* 8/2021 Folley ..... D9/724
- 2007/0095865 A1 \* 5/2007 Chick ..... B05C 17/00513 222/568
- 2019/0255559 A1 \* 8/2019 Folley ..... B05C 17/00509

\* cited by examiner

*Primary Examiner* — Philip S Hyder  
(74) *Attorney, Agent, or Firm* — QuickPatents, LLC; Kevin Prince

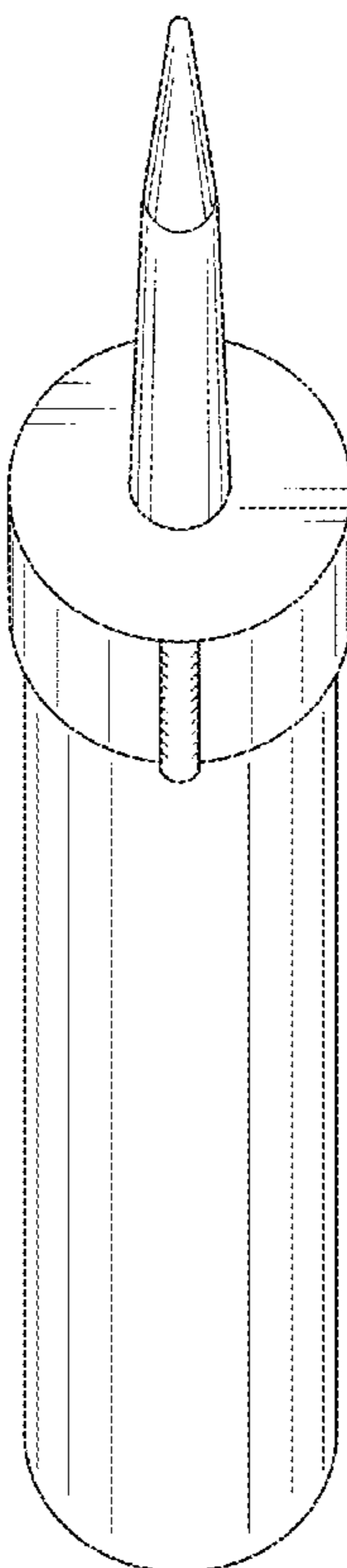
(57) **CLAIM**

The ornamental design for a caulk tube with removable top, as shown and described.

**DESCRIPTION**

FIG. 1 is an isometric view of a caulk tube with removable top, showing my new design;  
FIG. 2 is a top plan view thereof;  
FIG. 3 is a bottom plan view thereof;  
FIG. 4 is a left-side elevational view thereof, the right-side elevational view being a mirror image thereof;  
FIG. 5 is a front elevational view thereof;  
FIG. 6 is a rear elevational view thereof; and,  
FIG. 7 is an exploded front elevational view thereof.  
The broken lines in FIGS. 3 and 7 depict portions of the caulk tube that form no part of the claimed design.

**1 Claim, 4 Drawing Sheets**



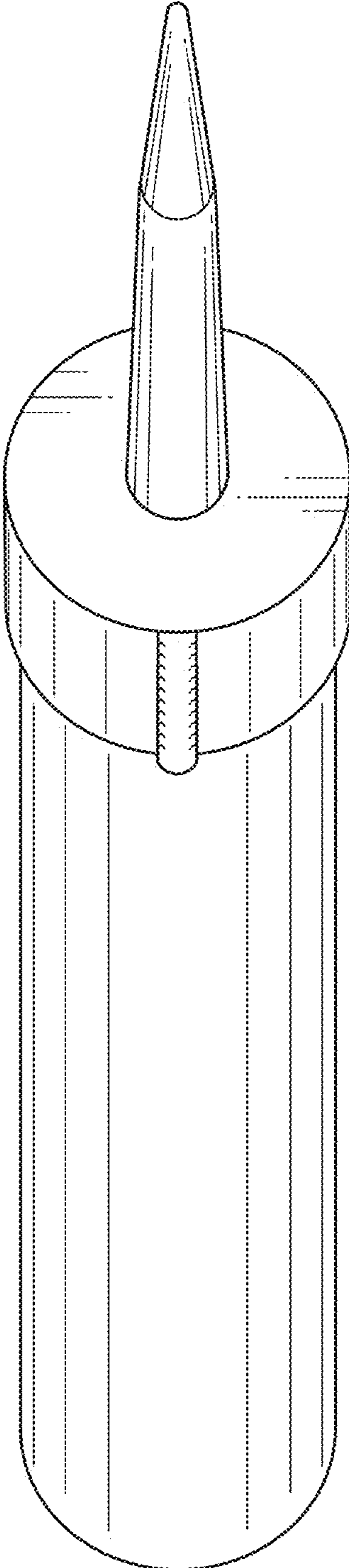


FIG. 1

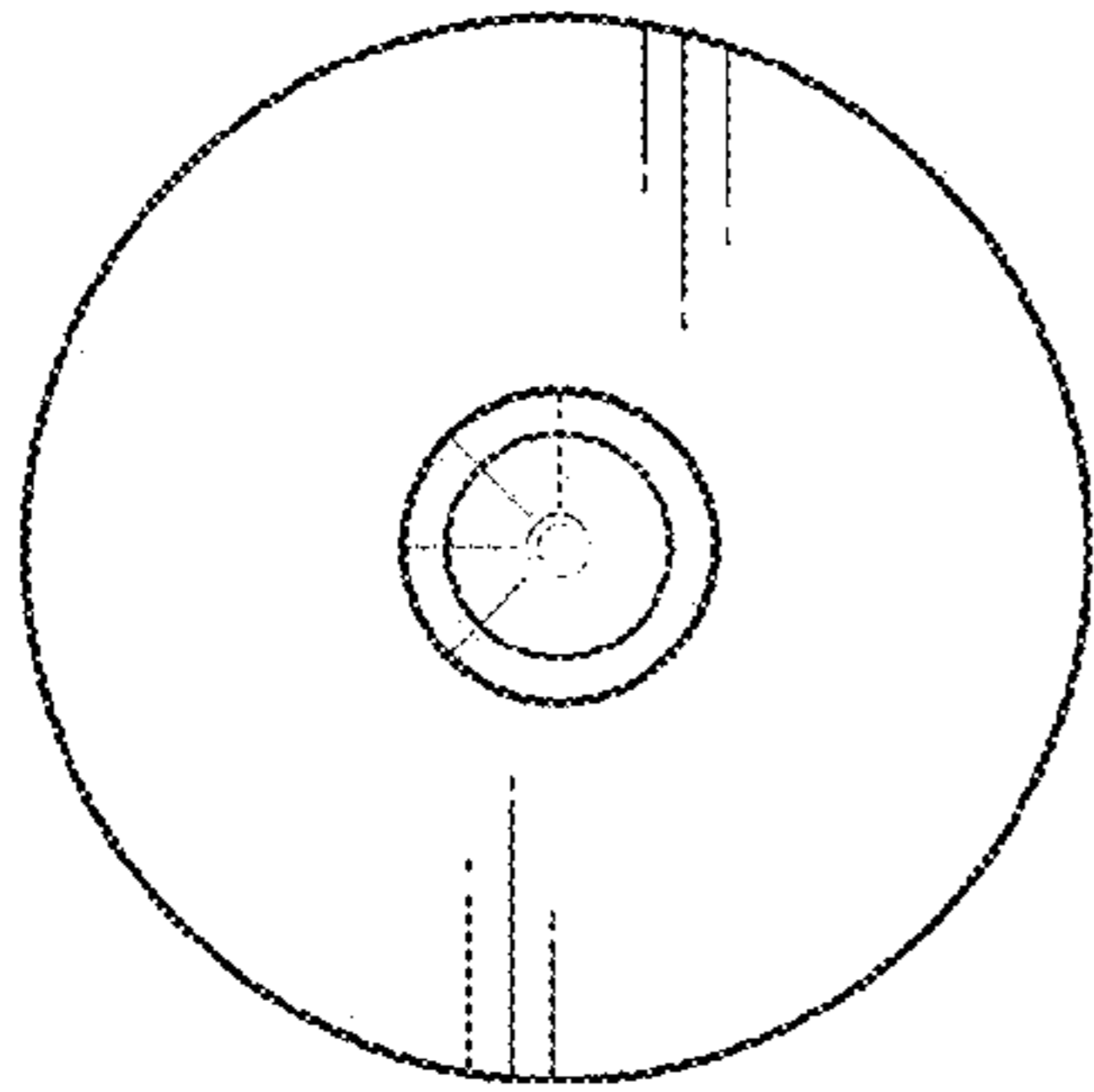


FIG. 2

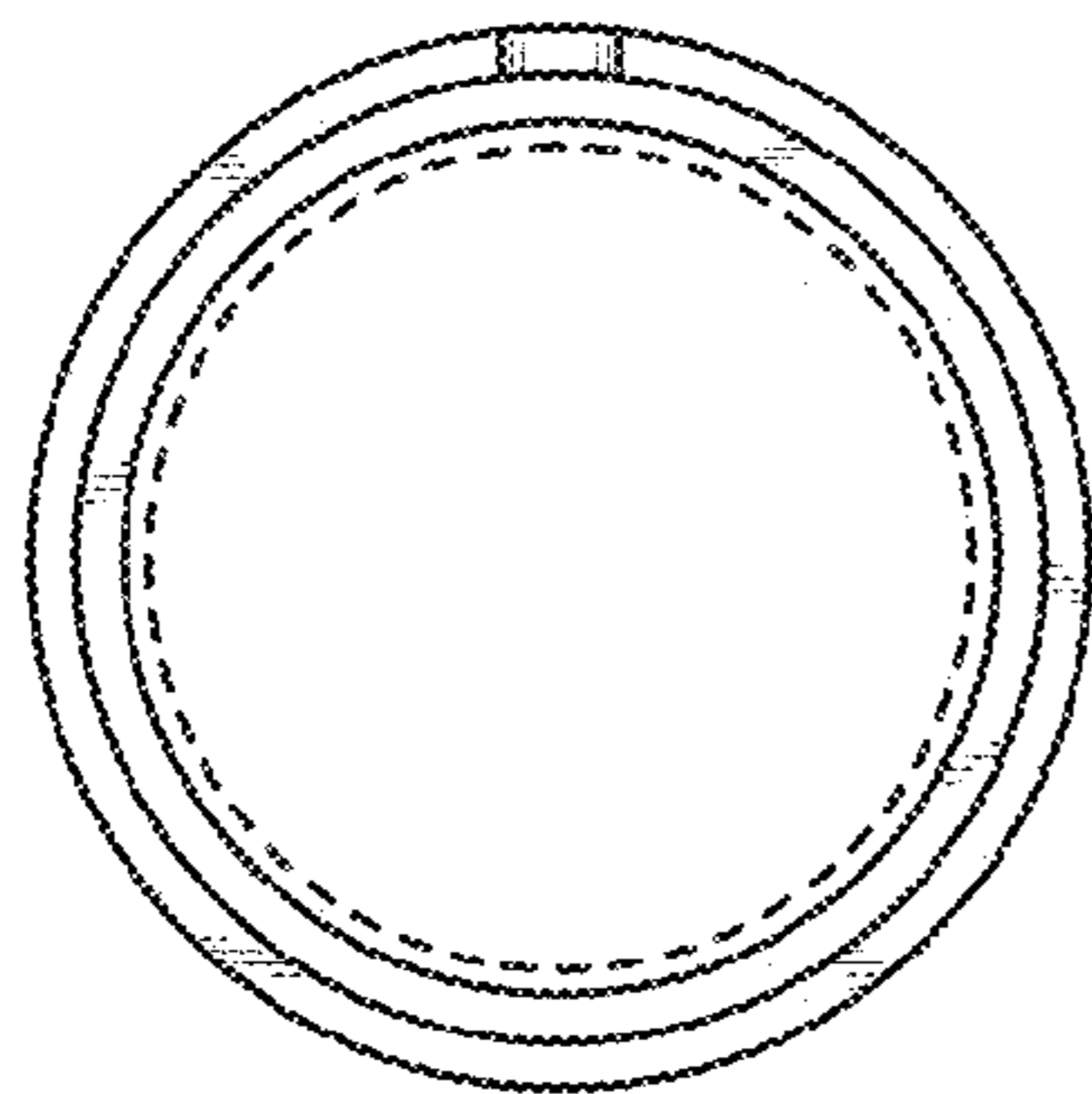


FIG. 3

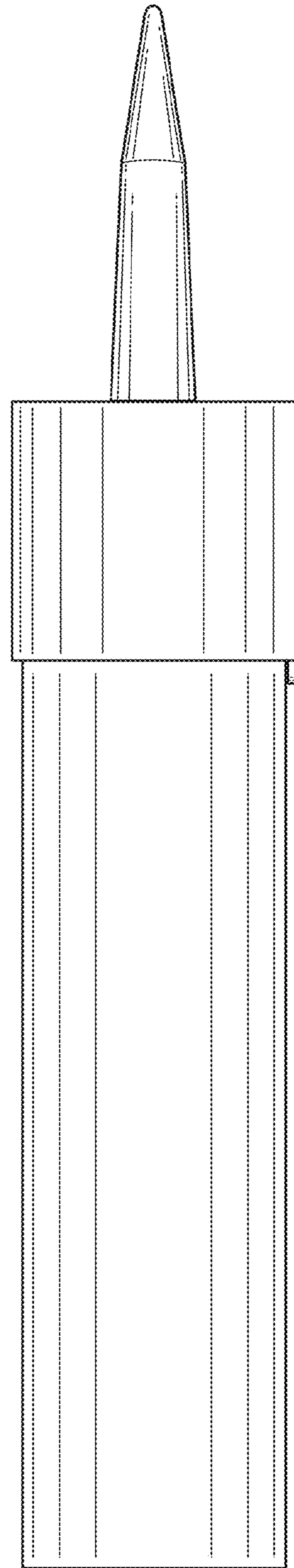


FIG. 4

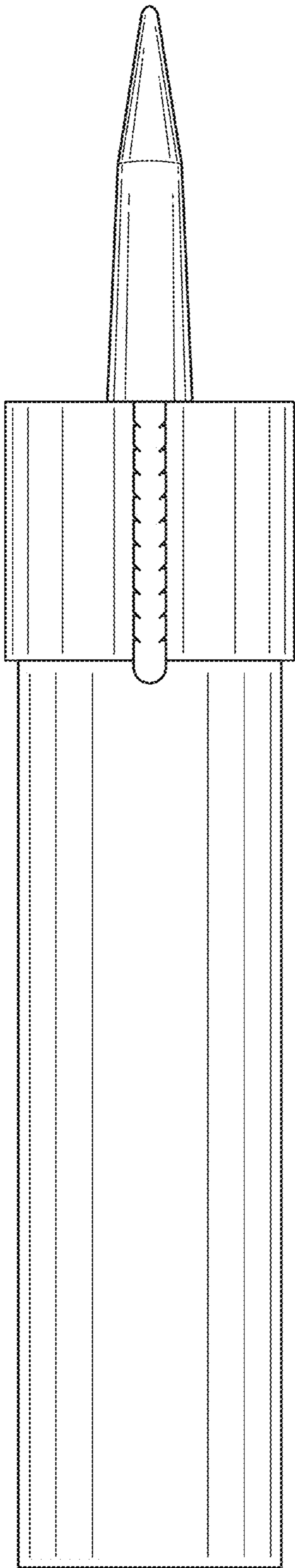


FIG. 5

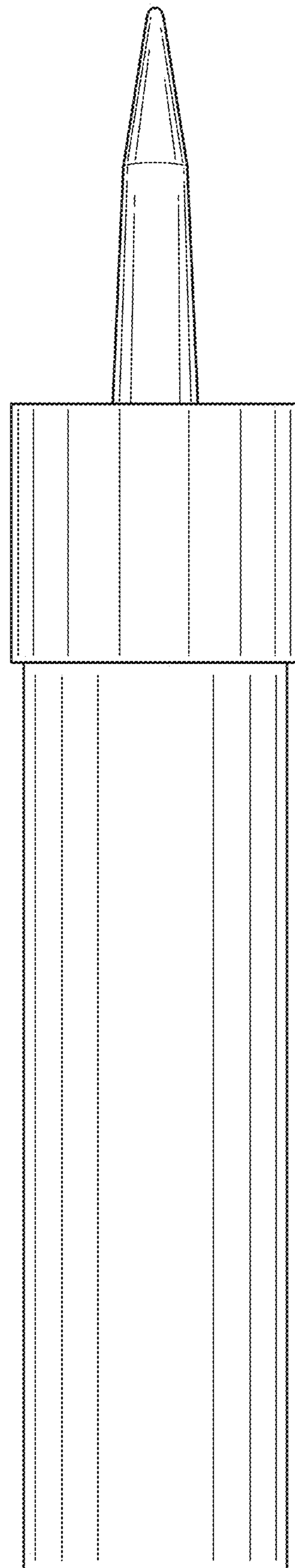


FIG. 6

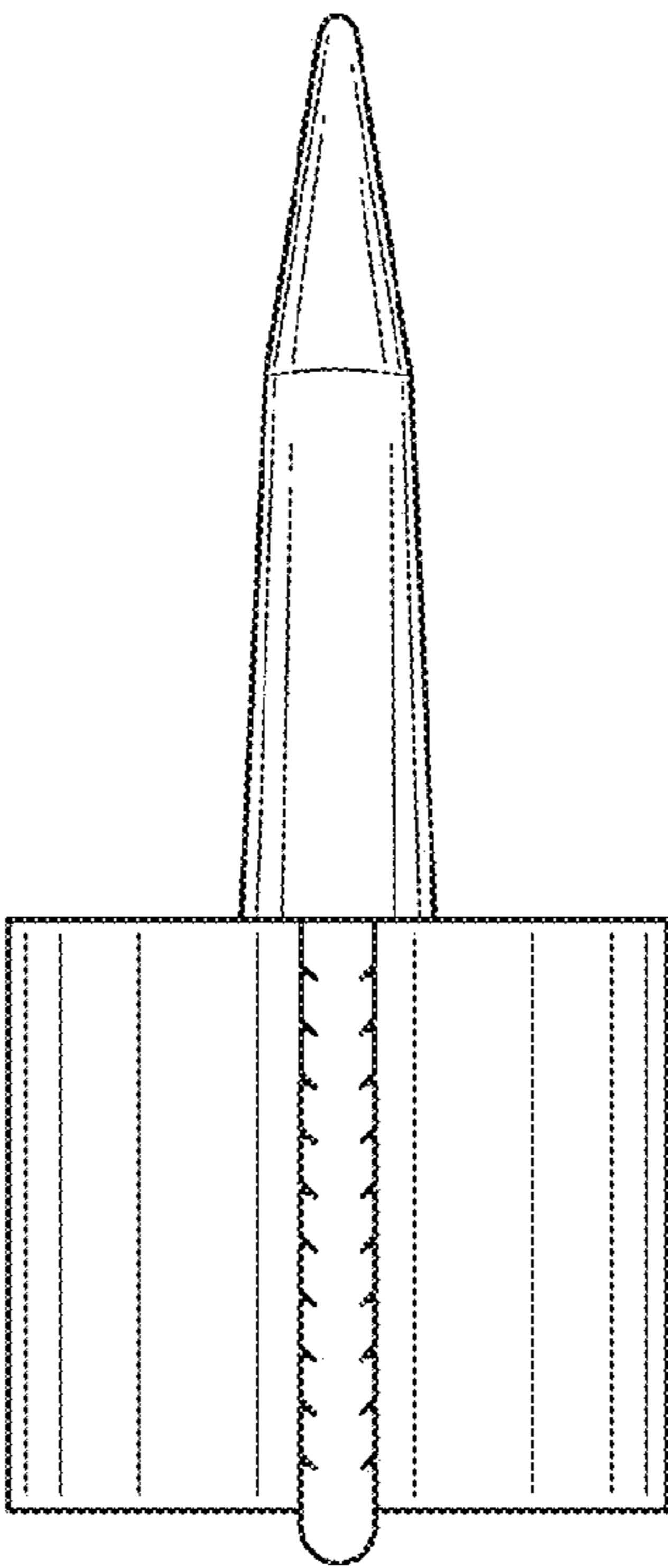


FIG. 7

