



US00D982399S

(12) **United States Design Patent**
Fritz et al.

(10) **Patent No.:** **US D982,399 S**

(45) **Date of Patent:** **** Apr. 4, 2023**

(54) **BEVERAGE CAN PUNCTURE DEVICE**

Primary Examiner — Cynthia R Underwood

(71) Applicant: **Four Friends Investments LLC**,
Manalapan, NJ (US)

(74) *Attorney, Agent, or Firm* — ArentFox Schiff LLP

(72) Inventors: **James W. Fritz**, Manalapan, NJ (US);
Joseph Morreale, Freehold, NJ (US);
Paul Sanzone, Freehold, NJ (US)

(57) **CLAIM**

The ornamental design for a beverage can puncture device,
as shown and described.

(73) Assignee: **Four Friends Investments LLC**,
Manalapan, NJ (US)

DESCRIPTION

(**) Term: **15 Years**

(21) Appl. No.: **29/820,545**

(22) Filed: **Dec. 22, 2021**

(51) **LOC (14) Cl.** **08-05**

(52) **U.S. Cl.**
USPC **D8/14; D7/665**

(58) **Field of Classification Search**
USPC D8/8, 14, 33; D7/619.1, 665, 666, 683
(Continued)

(56) **References Cited**

U.S. PATENT DOCUMENTS

1,452,287 A * 4/1923 Burke B67B 7/24
7/152
2,406,831 A * 9/1946 Hansen B67B 7/24
30/414

(Continued)

FOREIGN PATENT DOCUMENTS

WO 2019199872 A1 10/2019
WO 2021022127 A1 2/2021

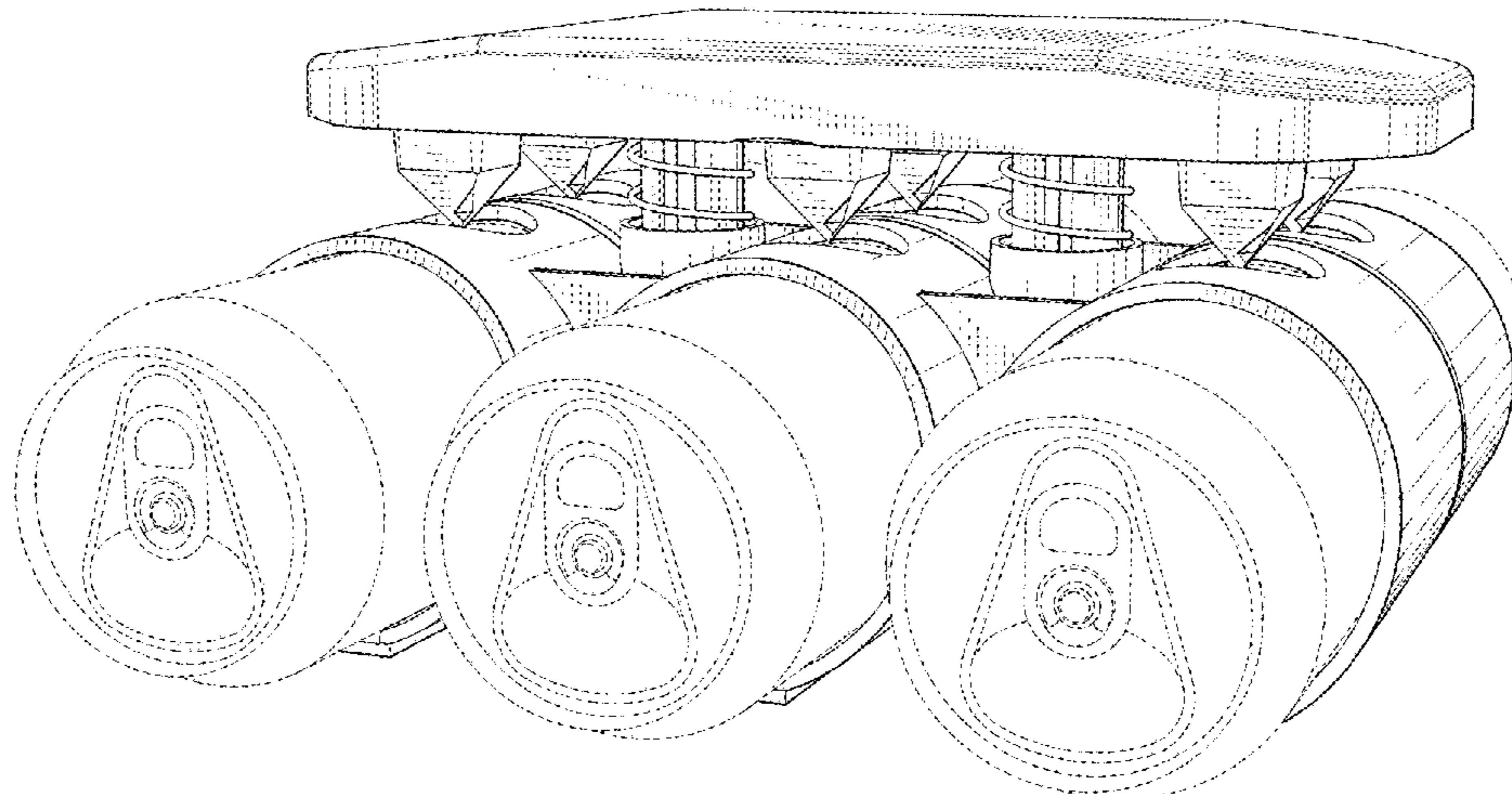
OTHER PUBLICATIONS

Chug Buddy 4-can Shotgun Tool for Chugging Soda Cans, Spring Loaded Shotgun Slammer, Fits Regular and Skinny Can <https://www.amazon.com/Chug-Buddy-shotgun-chugging-slammer/dp/B09TRYPL47> Date Accessed: Nov. 17, 2022.

(Continued)

FIG. 1 is a front, top, right perspective view of a beverage can puncture device showing our new design, with the plunger of the device in a pre-puncture position and including unclaimed beverage cans;
FIG. 2 is a front, top, right perspective view thereof;
FIG. 3 is a front elevational view thereof;
FIG. 4 is a back elevational view thereof;
FIG. 5 is a right-side elevational view thereof;
FIG. 6 is a left-side elevational view thereof;
FIG. 7 is a top plan view thereof;
FIG. 8 is a bottom plan view thereof; and
FIG. 9 is a bottom perspective view thereof.
FIG. 10 is a front, top, right perspective view thereof, with the plunger having been depressed in a puncture position and including unclaimed beverage cans;
FIG. 11 is a front, bottom, right perspective view thereof including unclaimed beverage cans;
FIG. 12 is a bottom, right perspective view thereof;
FIG. 13 is a front elevational view thereof;
FIG. 14 is a back elevational view thereof;
FIG. 15 is a right-side elevational view thereof;
FIG. 16 is a left-side elevational view thereof;
FIG. 17 is a top plan view thereof; and
FIG. 18 is a bottom plan view thereof; and,
FIG. 19 is a front, top, right perspective view thereof, including an unclaimed beverage can and unclaimed can support inserts for smaller dimensioned cans in an inserted position, and another unclaimed can support insert prior to insertion, where the plunger is in the pre-puncture position. The broken lines shown in the drawings represent the environment, including example beverage cans, which forms no part of the claimed design, and portions of the

(Continued)



beverage can puncture device which forms no part of the claimed design, including optional can support inserts for smaller dimensioned cans.

1 Claim, 19 Drawing Sheets

(58) **Field of Classification Search**

CPC B67B 7/44; B67B 7/28; B67B 7/24; B26F 1/32

See application file for complete search history.

(56) **References Cited**

U.S. PATENT DOCUMENTS

2,721,380	A	10/1955	Gagnon	
4,631,769	A *	12/1986	White	B67B 7/44 81/3.55
5,630,529	A	5/1997	Chlupp	
5,823,236	A *	10/1998	Kirby	B67B 7/28 141/330
6,772,565	B1 *	8/2004	Schiltz	E04H 17/265 52/156
8,387,264	B1 *	3/2013	Pritchard	B67B 7/24 30/443
9,260,282	B2	2/2016	Laverty	
9,272,891	B2	3/2016	Arellano et al.	
9,409,760	B1 *	8/2016	Lichtefeld, Sr.	B67B 7/26
D767,350	S *	9/2016	Bober	D8/14
9,504,259	B2 *	11/2016	White	B26D 11/00
D803,013	S *	11/2017	Cheng	D7/665
9,856,123	B1	1/2018	Mantz	

10,280,058	B1	5/2019	Pickett et al.	
D857,469	S *	8/2019	Whitcomb	D8/14
10,577,233	B2	3/2020	Abreu	
10,626,001	B2	4/2020	Lager	
D885,853	S *	6/2020	Lowry	D7/665
10,730,733	B2	8/2020	Harlow	
10,760,871	B2	9/2020	Smith	
D907,975	S *	1/2021	Norris	D8/14
10,947,097	B2	3/2021	Clifton	
10,961,101	B2	3/2021	Clark	
D964,126	S *	9/2022	Chang	D8/84
2005/0076742	A1	4/2005	Yurek et al.	
2009/0230141	A1	9/2009	Haney	
2014/0250700	A1 *	9/2014	Liotta	B26F 1/32 30/366
2014/0250703	A1	9/2014	Aden	
2015/0183547	A1	7/2015	Langheinrich	
2016/0207749	A1	7/2016	Arellano et al.	
2020/0095107	A1 *	3/2020	Niebergall	B67B 7/24
2021/0031249	A1	2/2021	Harpster et al.	
2021/0163276	A1	6/2021	Clifton	

OTHER PUBLICATIONS

The Hammer <https://drunkengineers.ca/products/hammer> Date Accessed: Nov. 17, 2022.

Drunk Engineers Shotgun Tool—Slim Pump Action 2.0—Fits Slim Sized Cans—Perfect Beer Shotgun Tool for House Parties and Tailgates (red) <https://www.amazon.com/Drunk-Engineers-Shotgun-Tool-Tailgates/dp/B095L6P232> Date Accessed: Nov. 11, 2022.

This Shotgun Beer Koozie Has a Button to Optionally Shotgun Your Beer <https://odditymall.com/beer-koozie-with-shotgun-button> Date Accessed: Nov. 17, 2022.

* cited by examiner

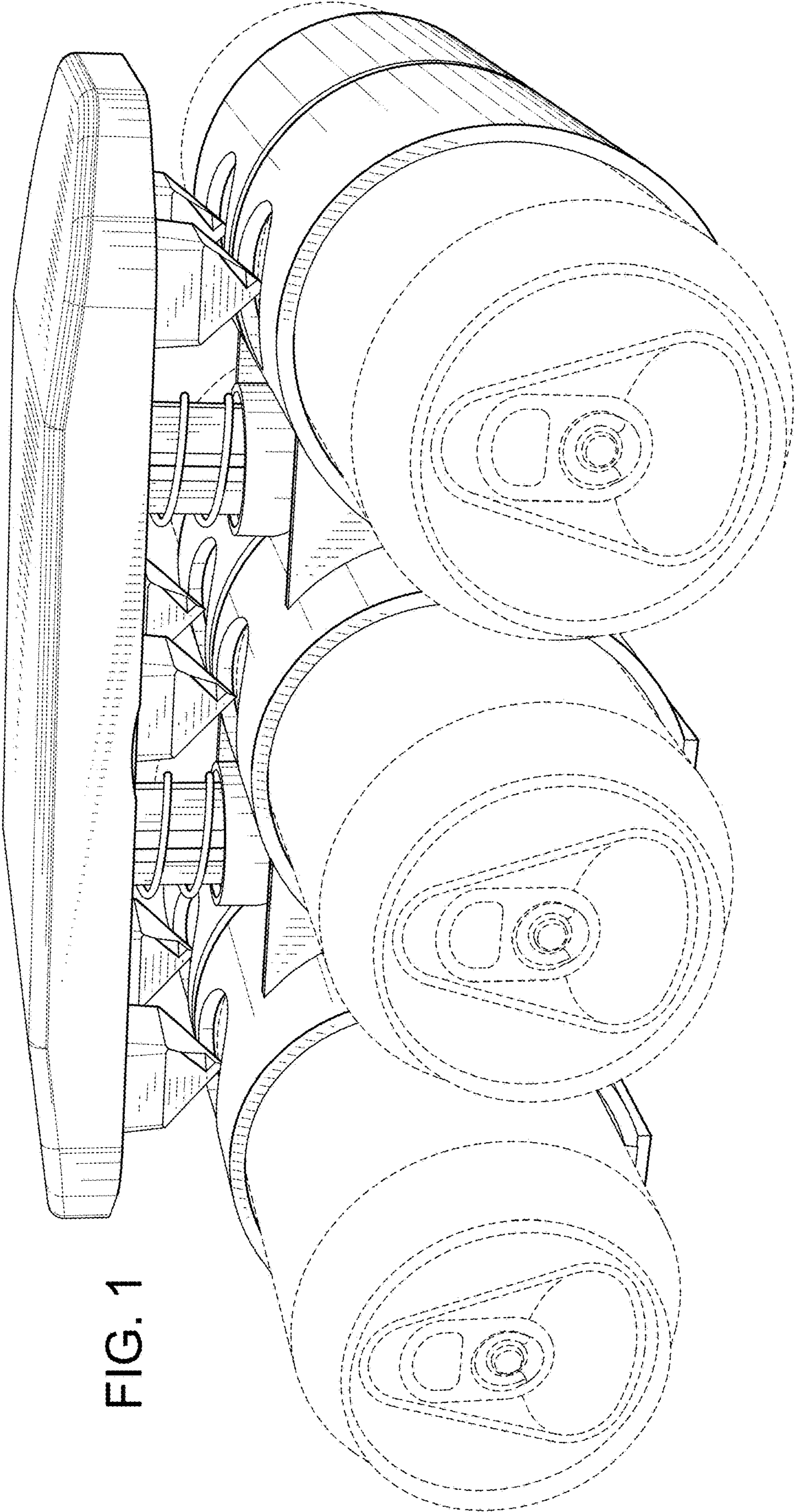


FIG. 1

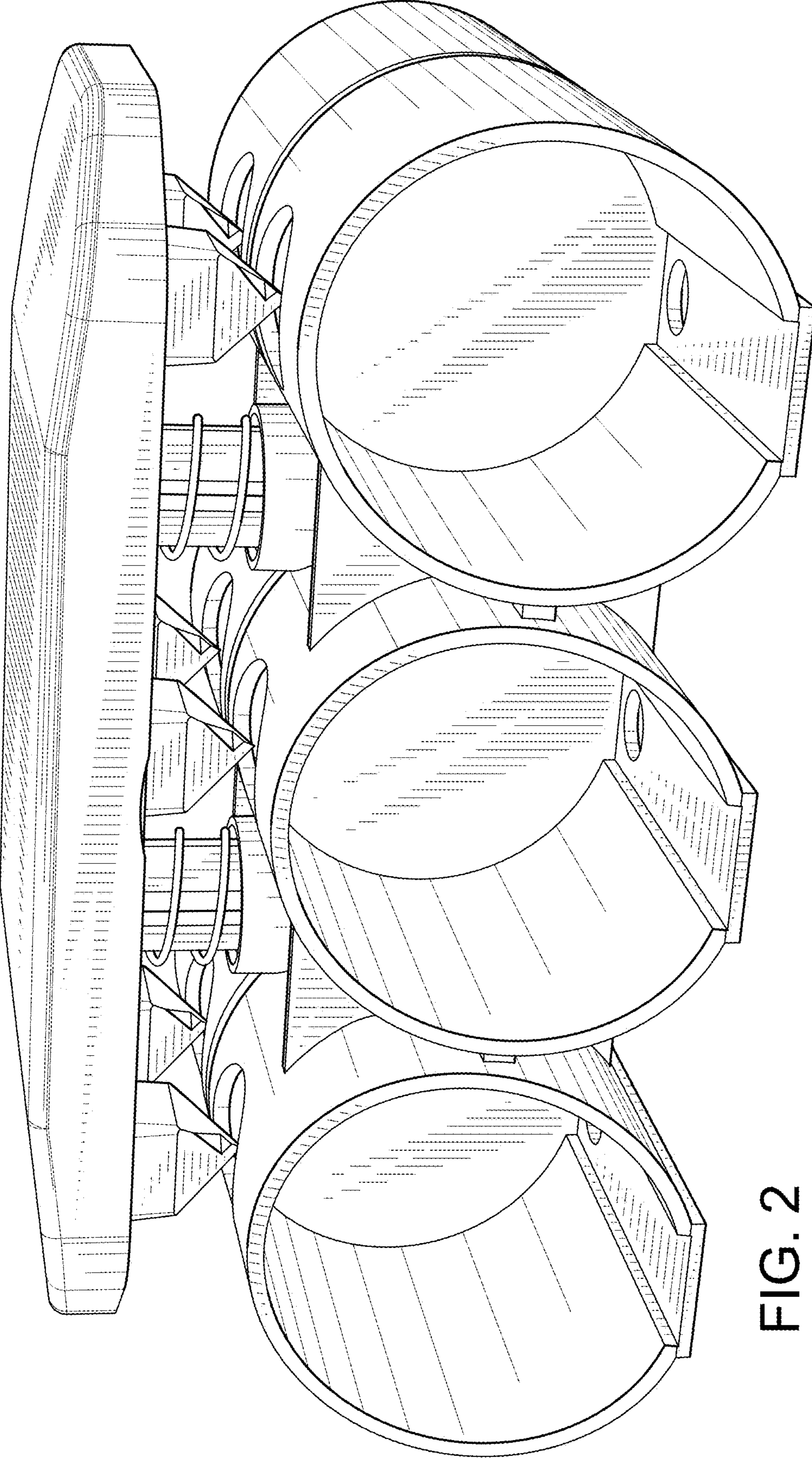


FIG. 2

FIG. 3

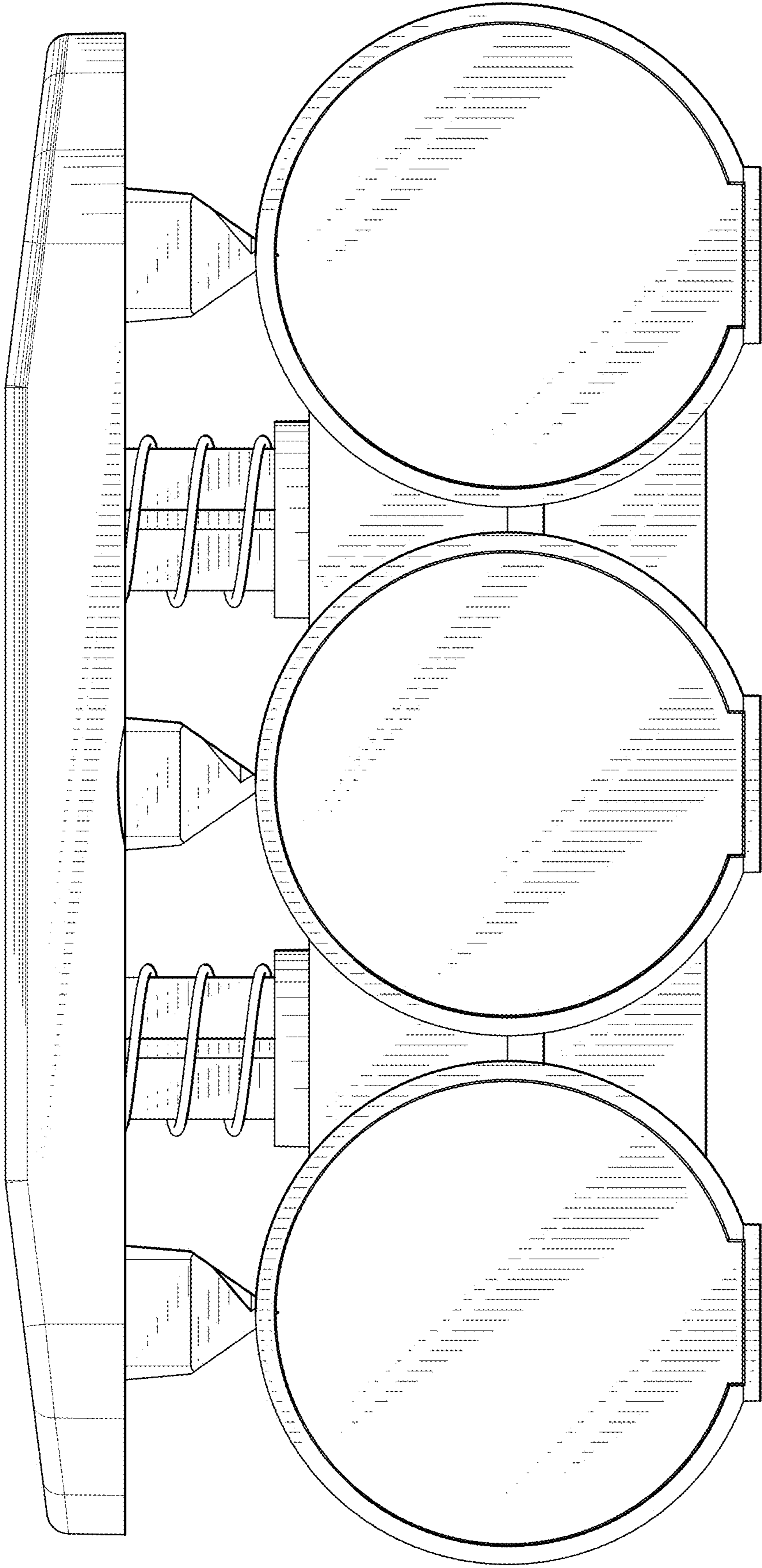
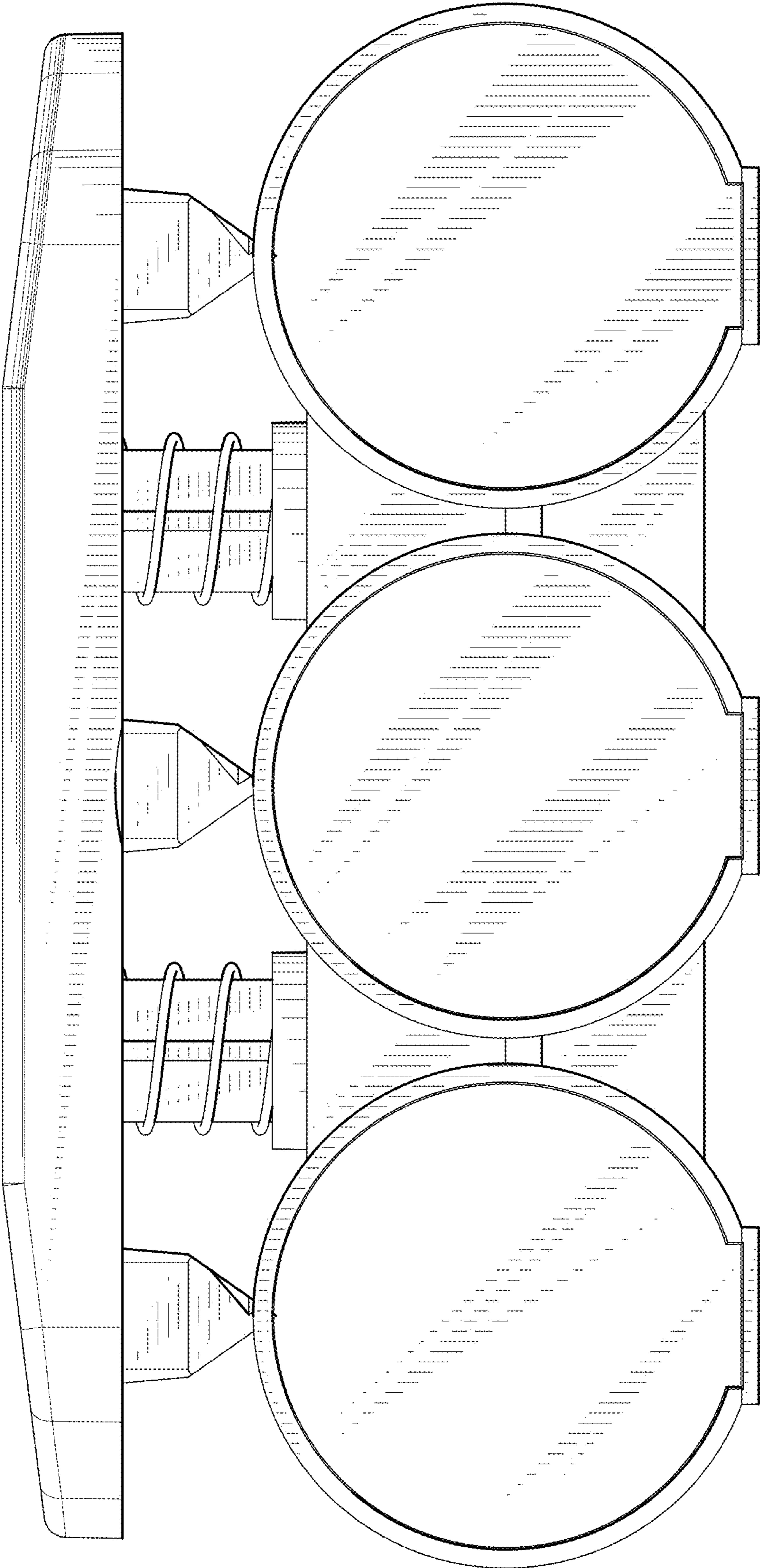


FIG. 4



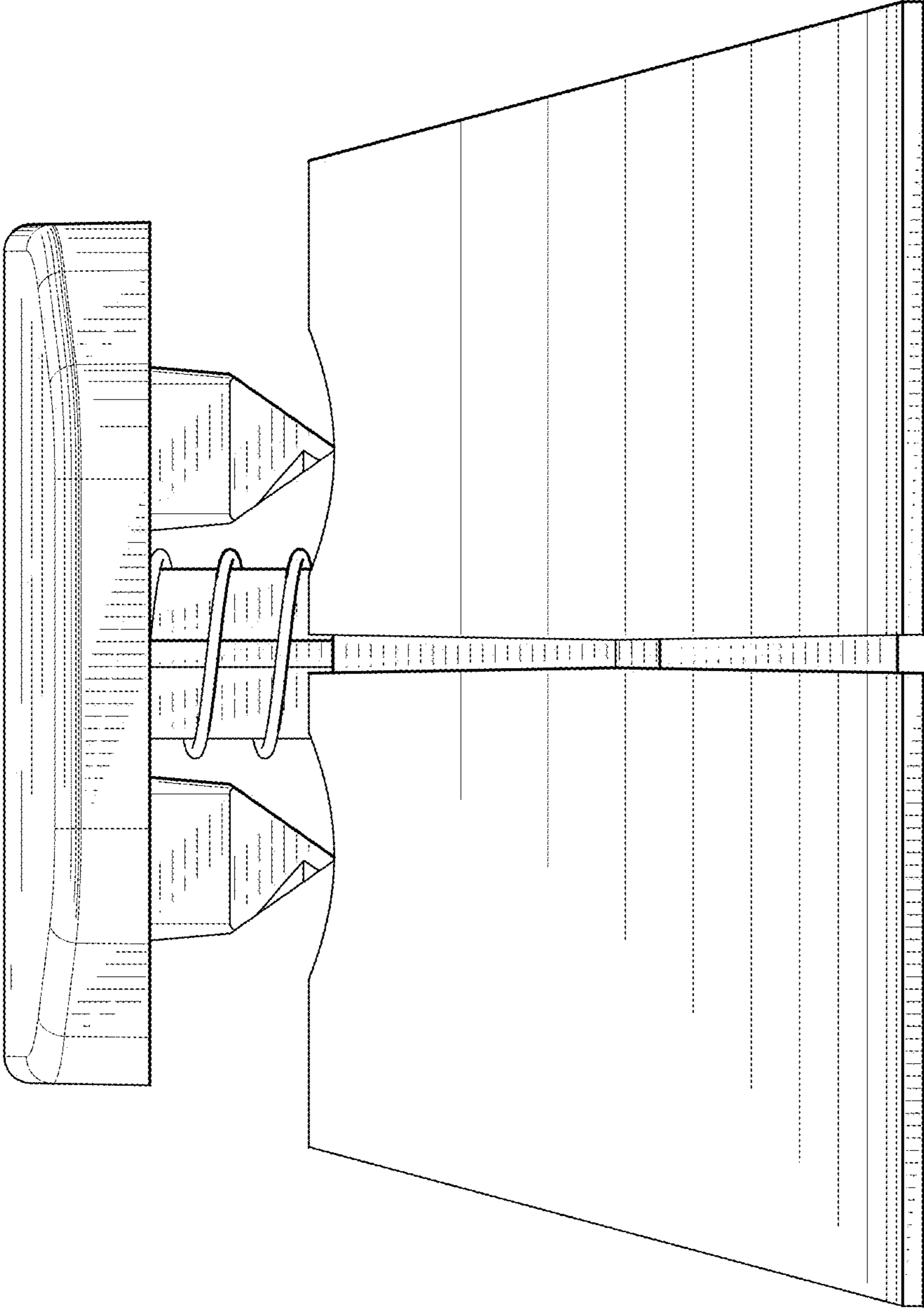


FIG. 5

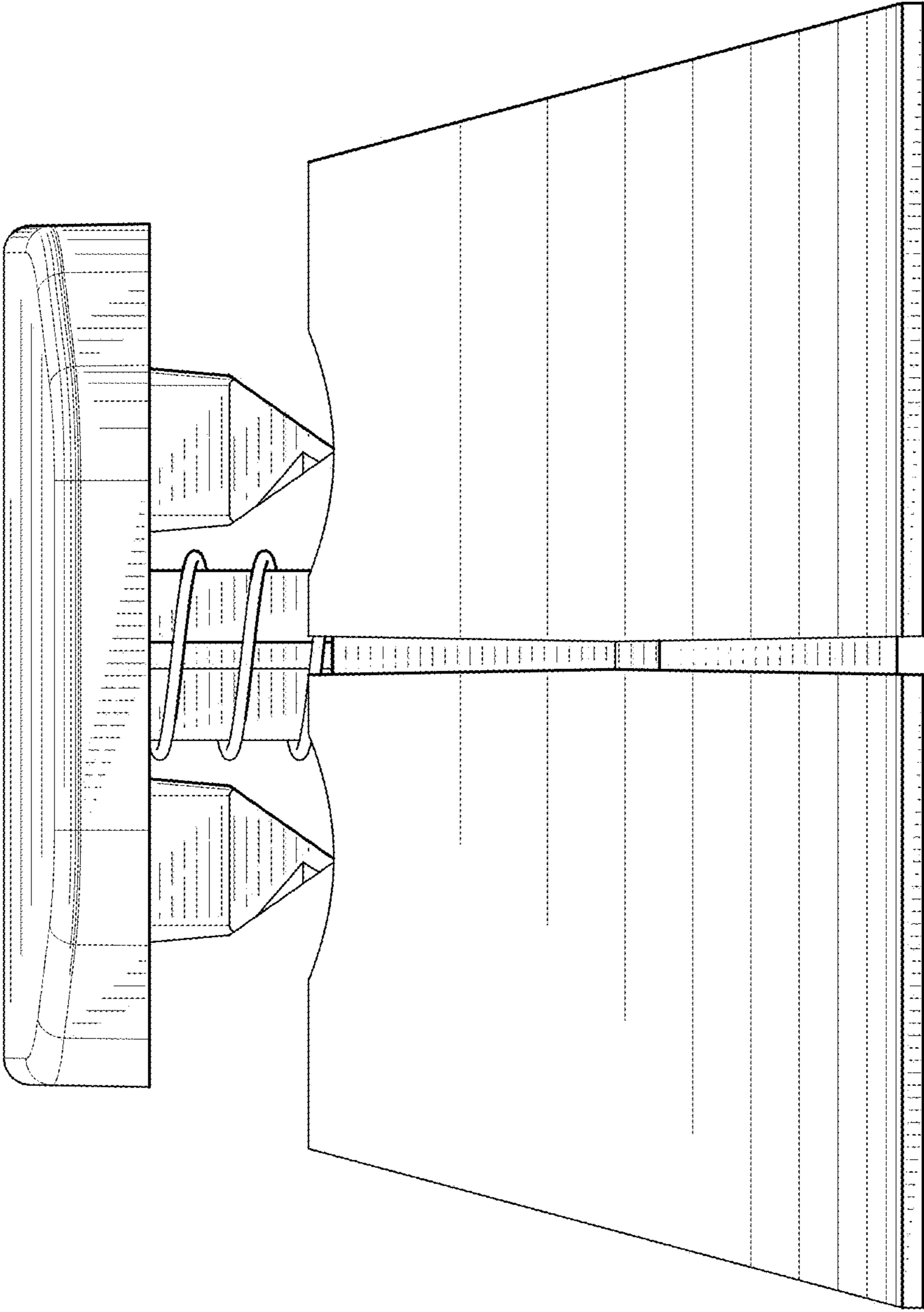


FIG. 6

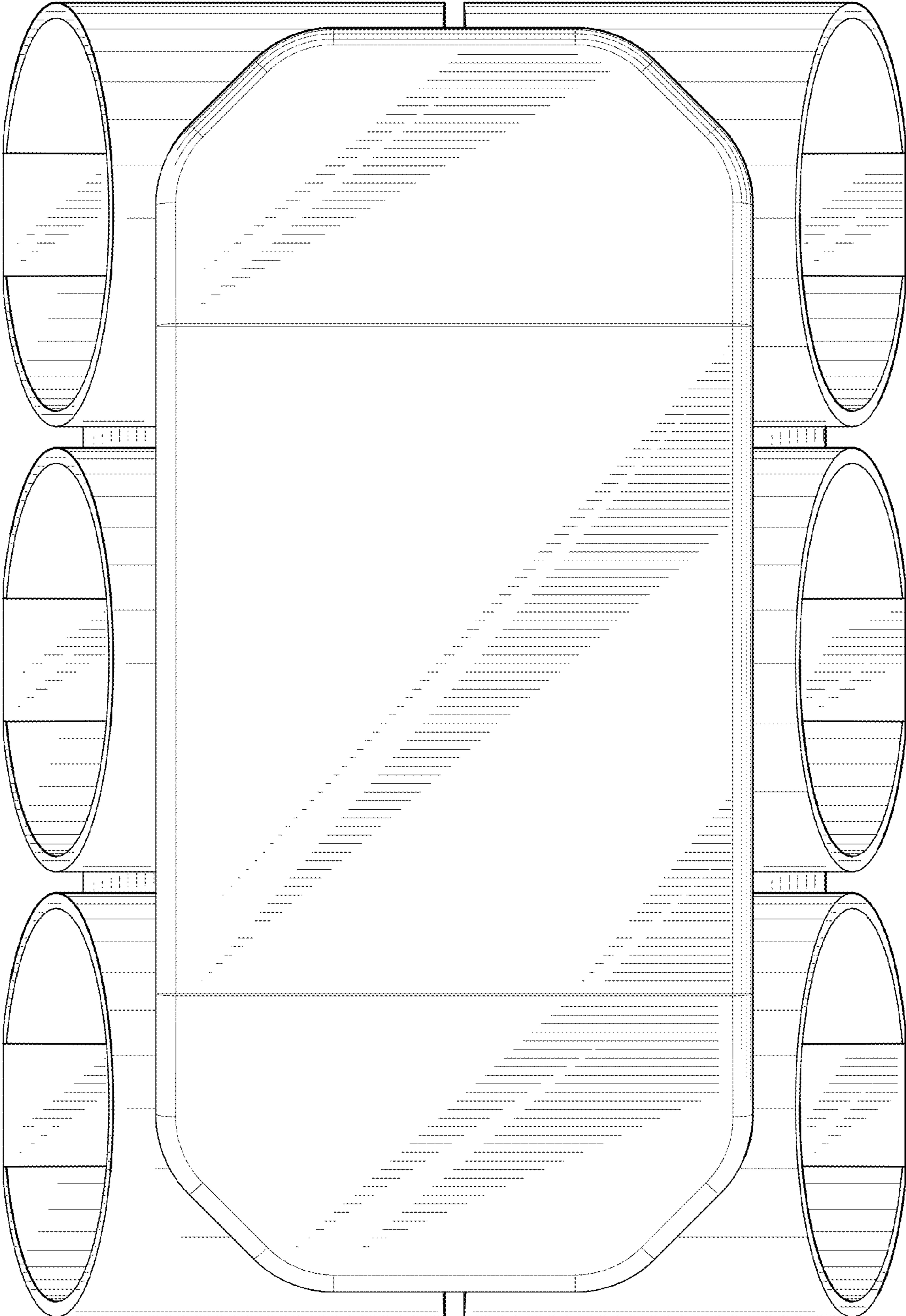


FIG. 7

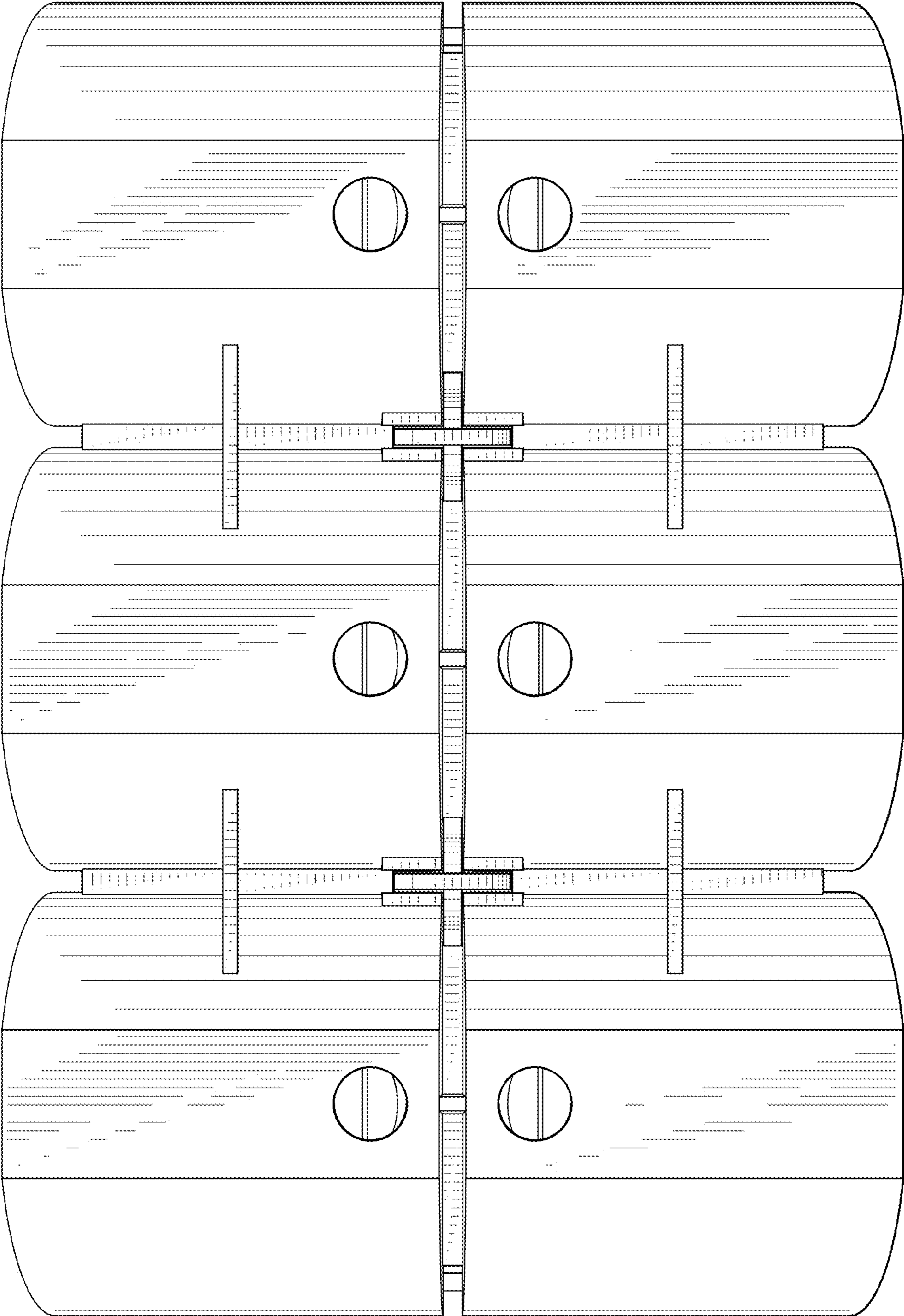


FIG. 8

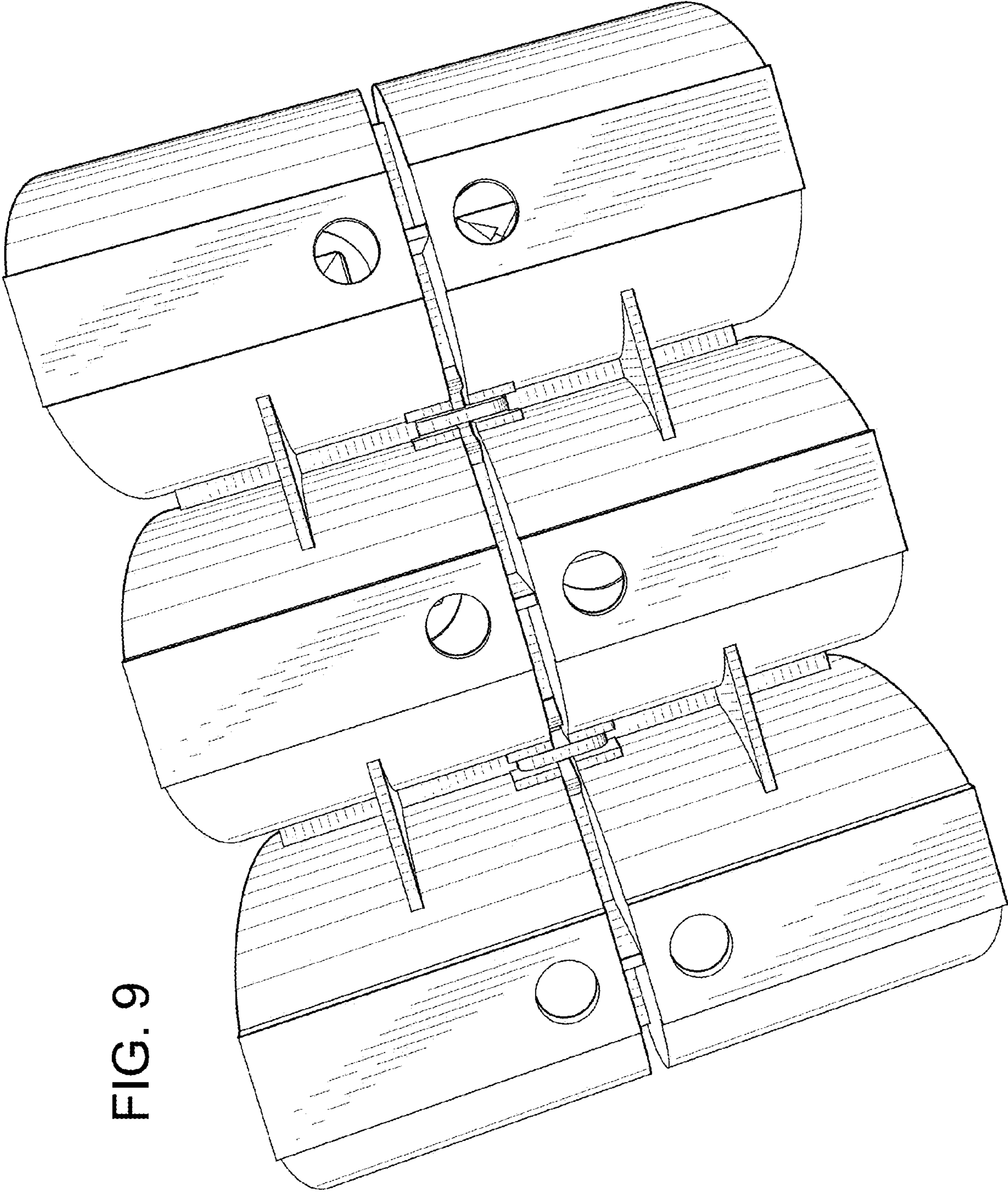


FIG. 9

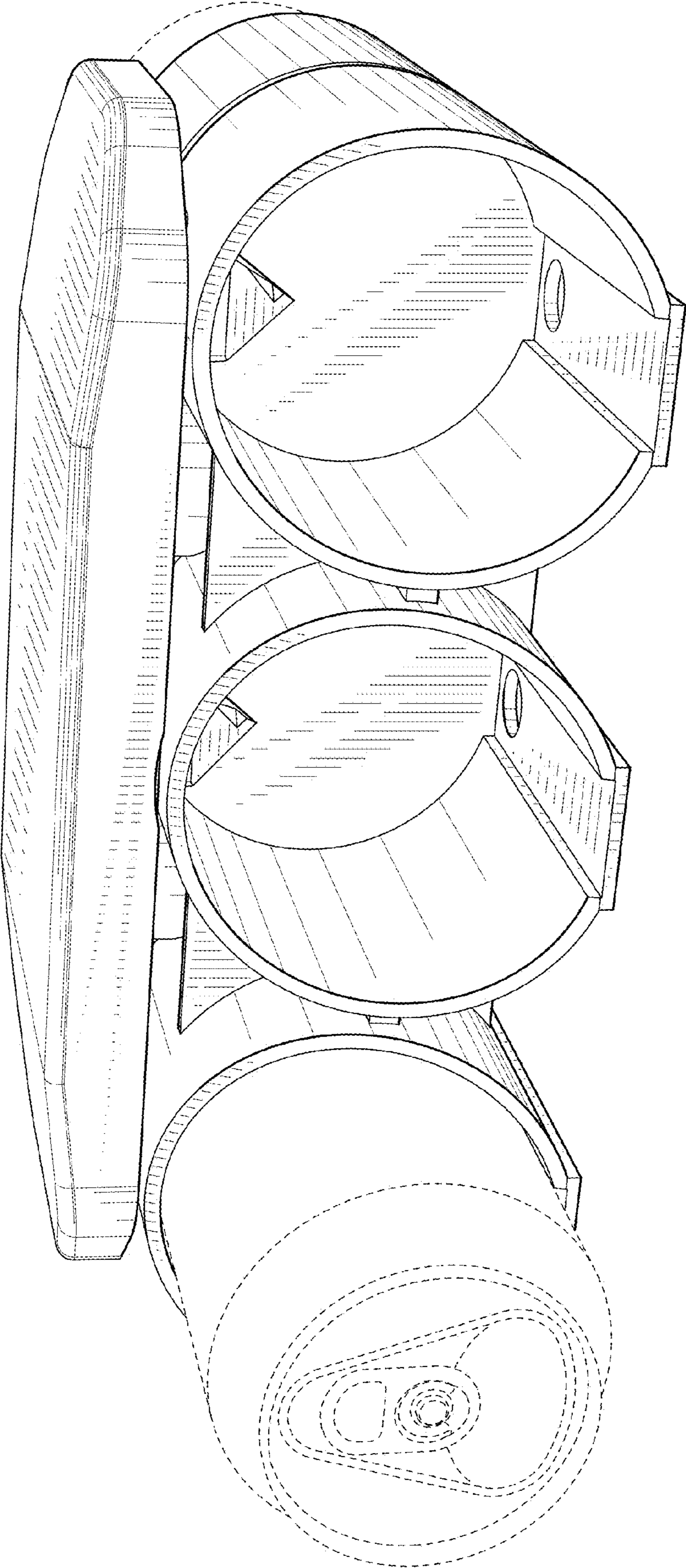


FIG. 10

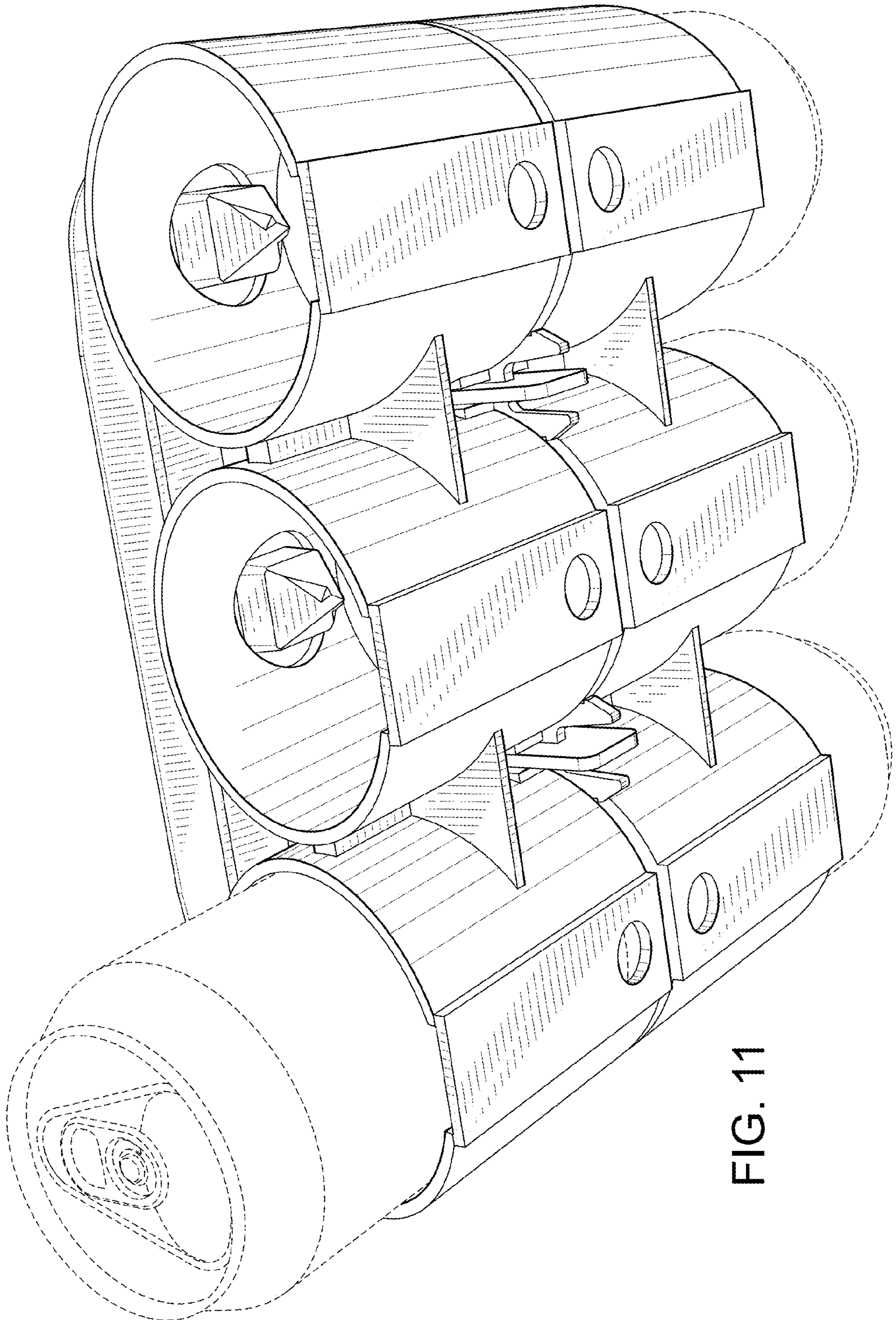


FIG. 11

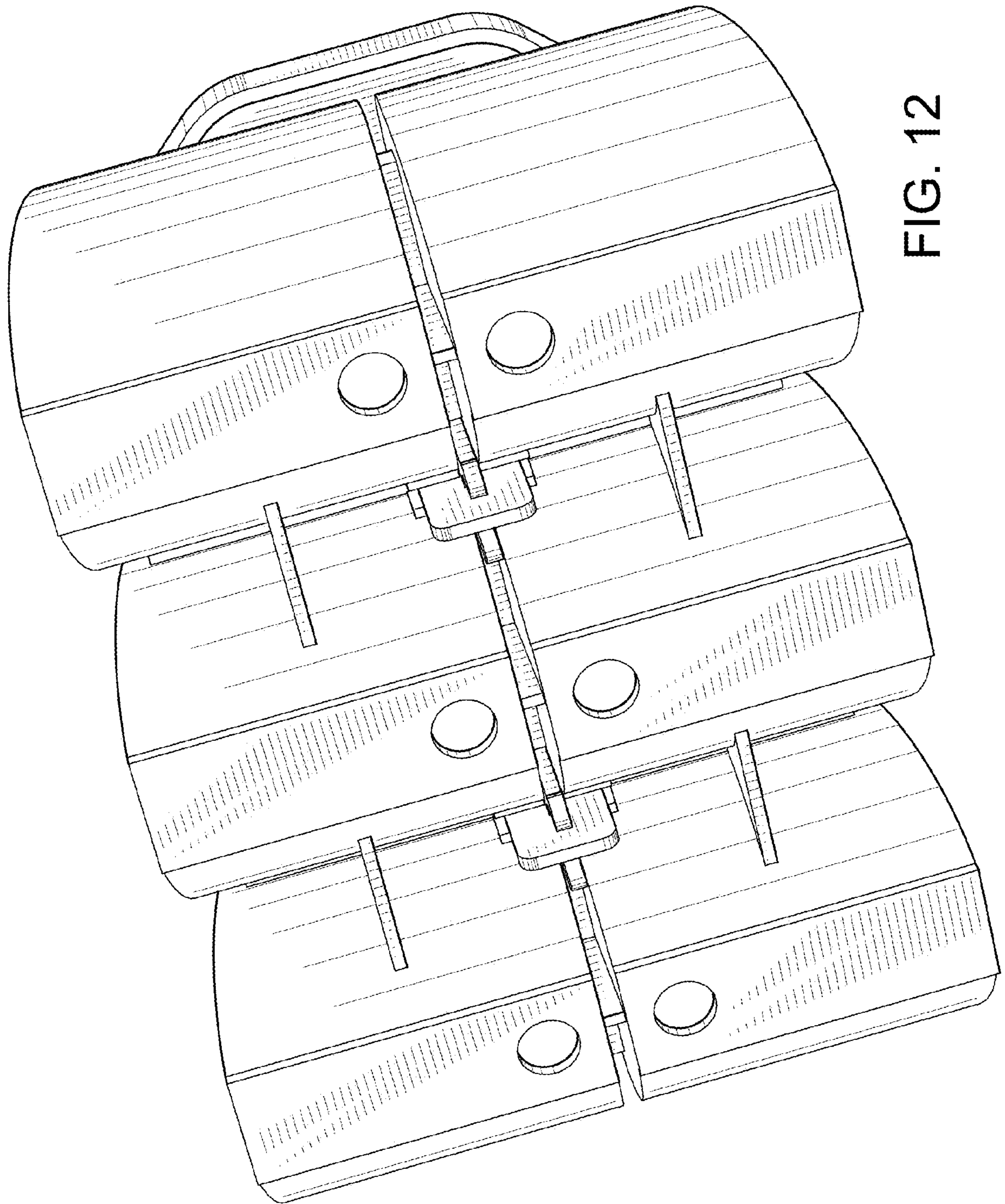


FIG. 12

FIG. 13

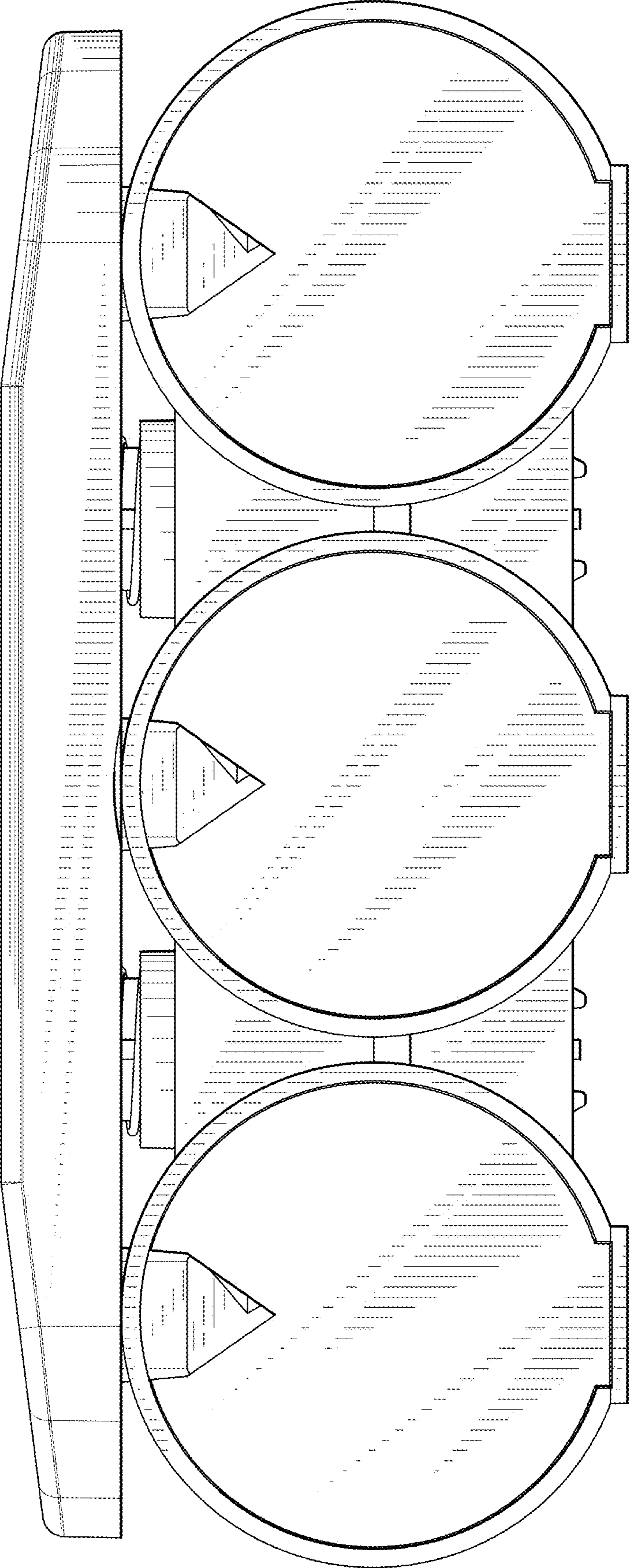


FIG. 14

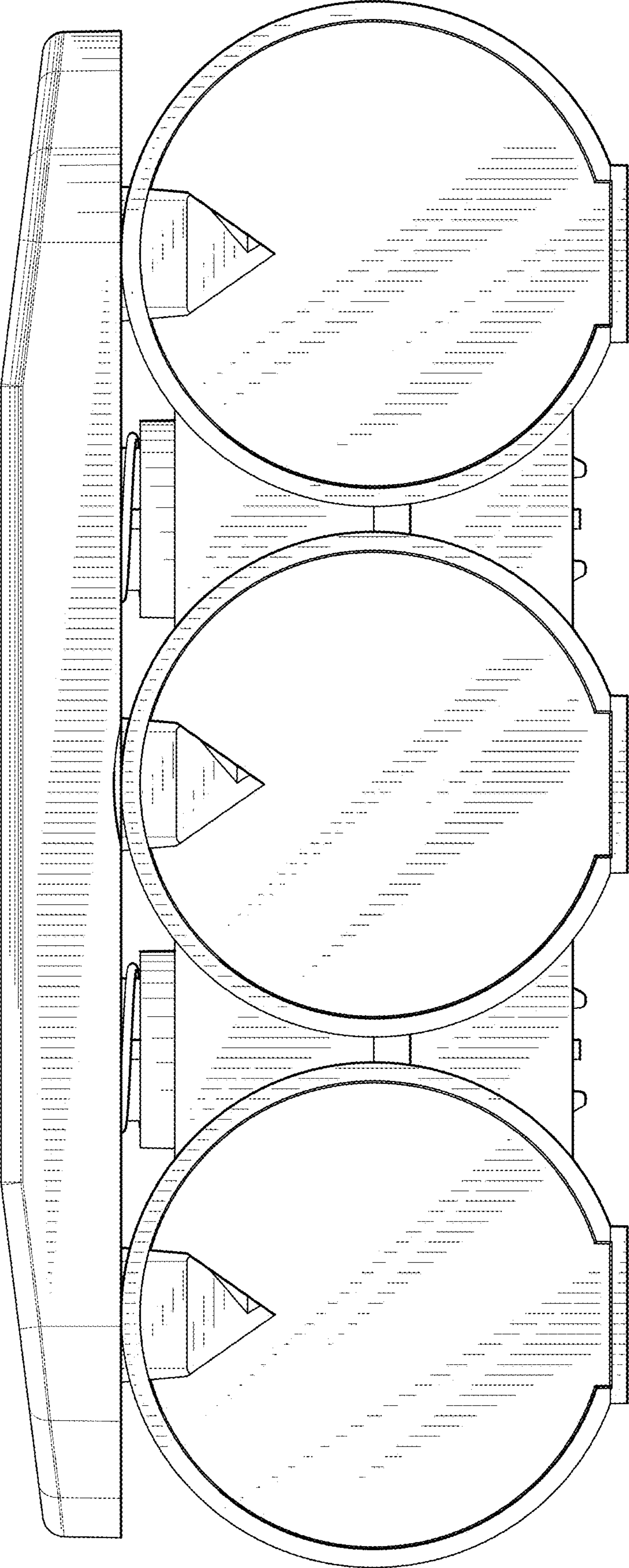


FIG. 15

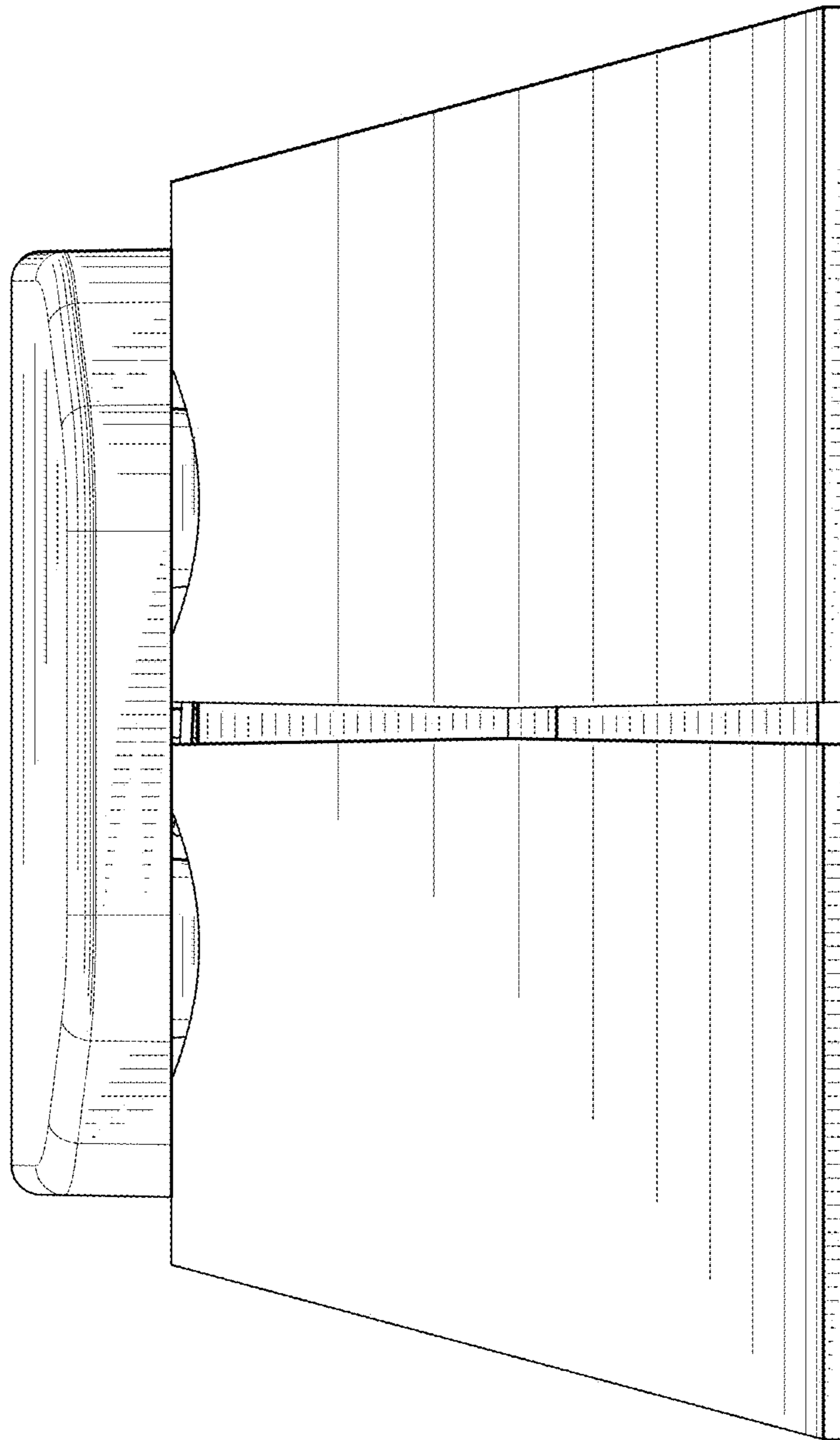
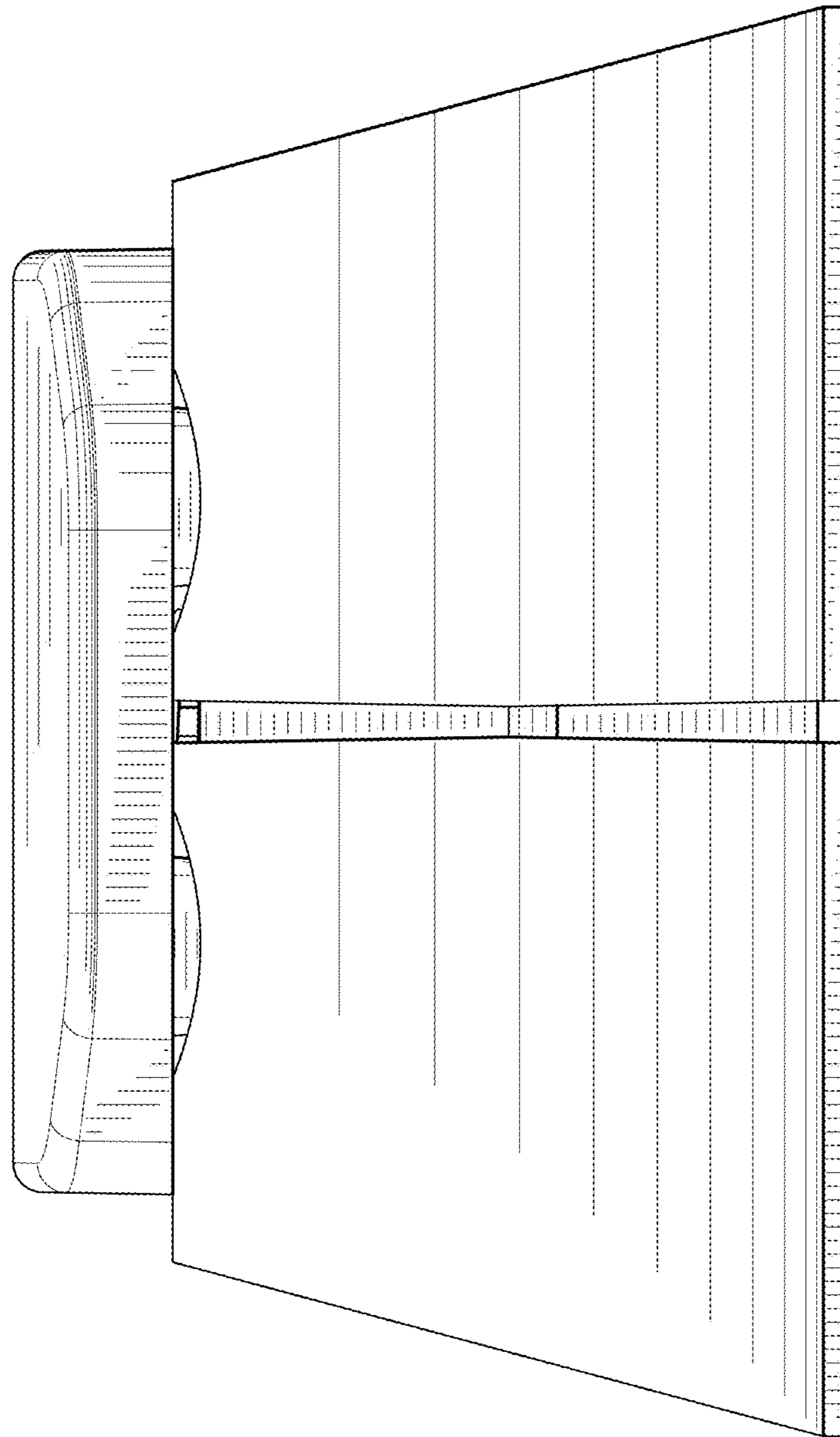


FIG. 16



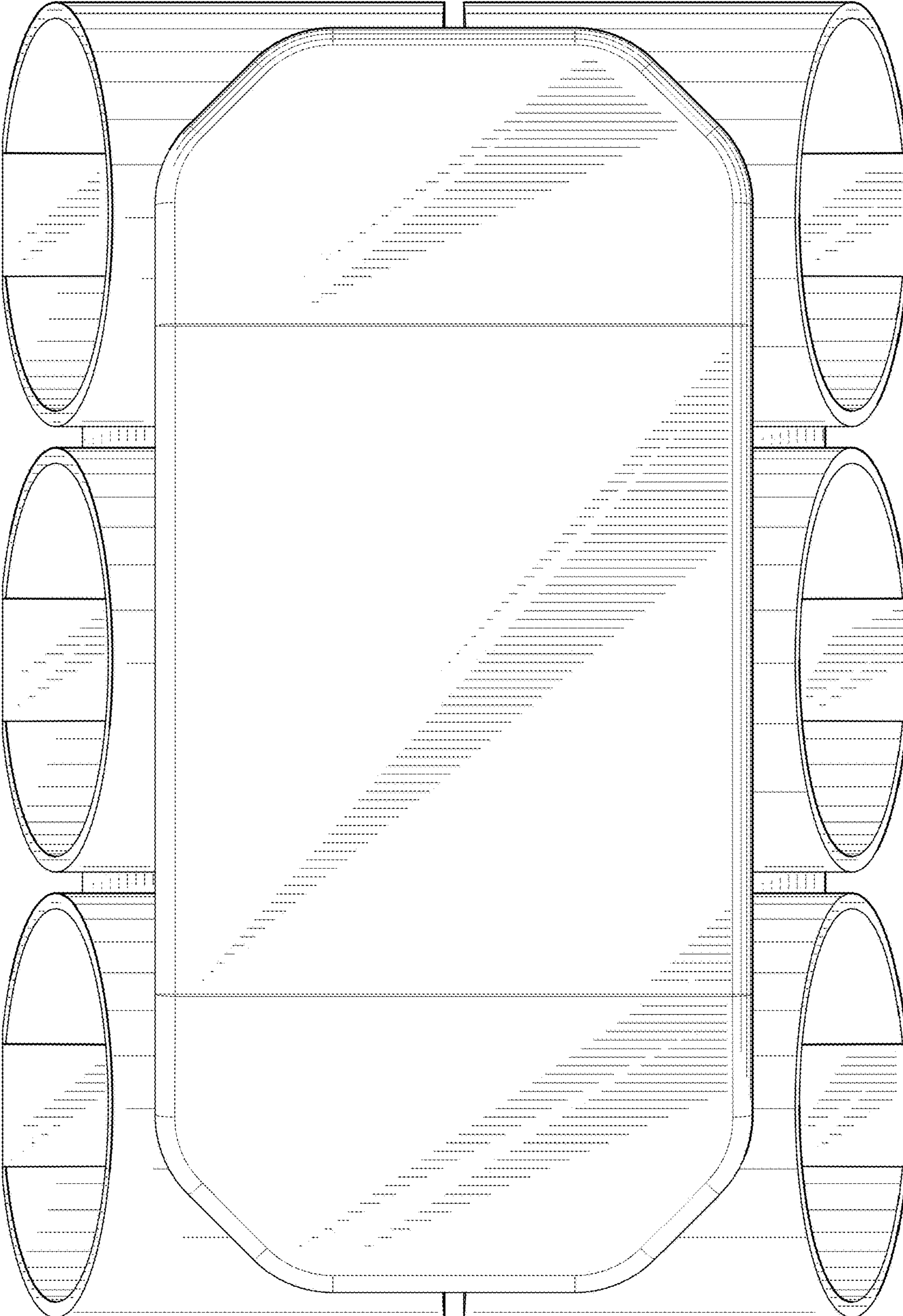


FIG. 17

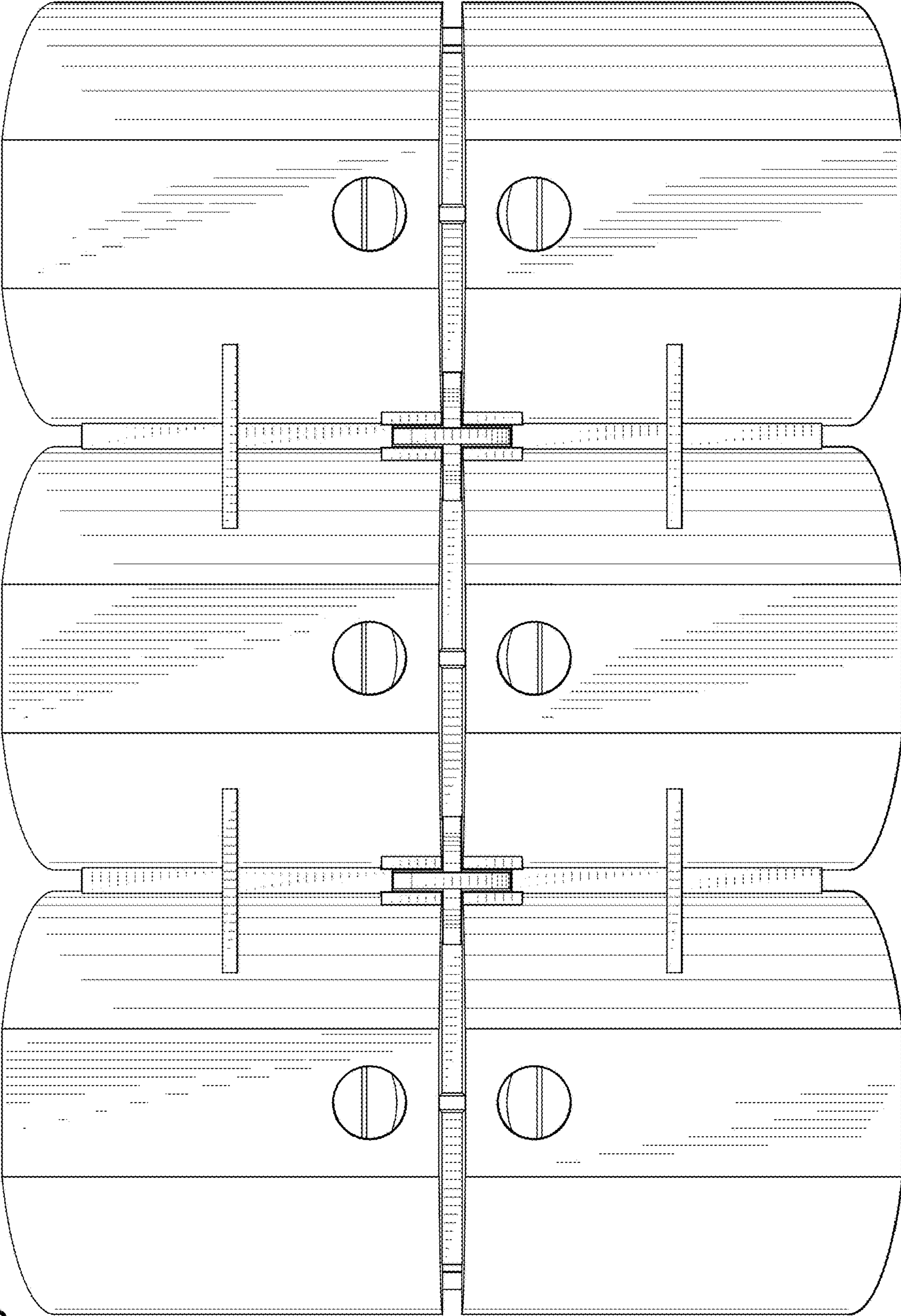


FIG. 18

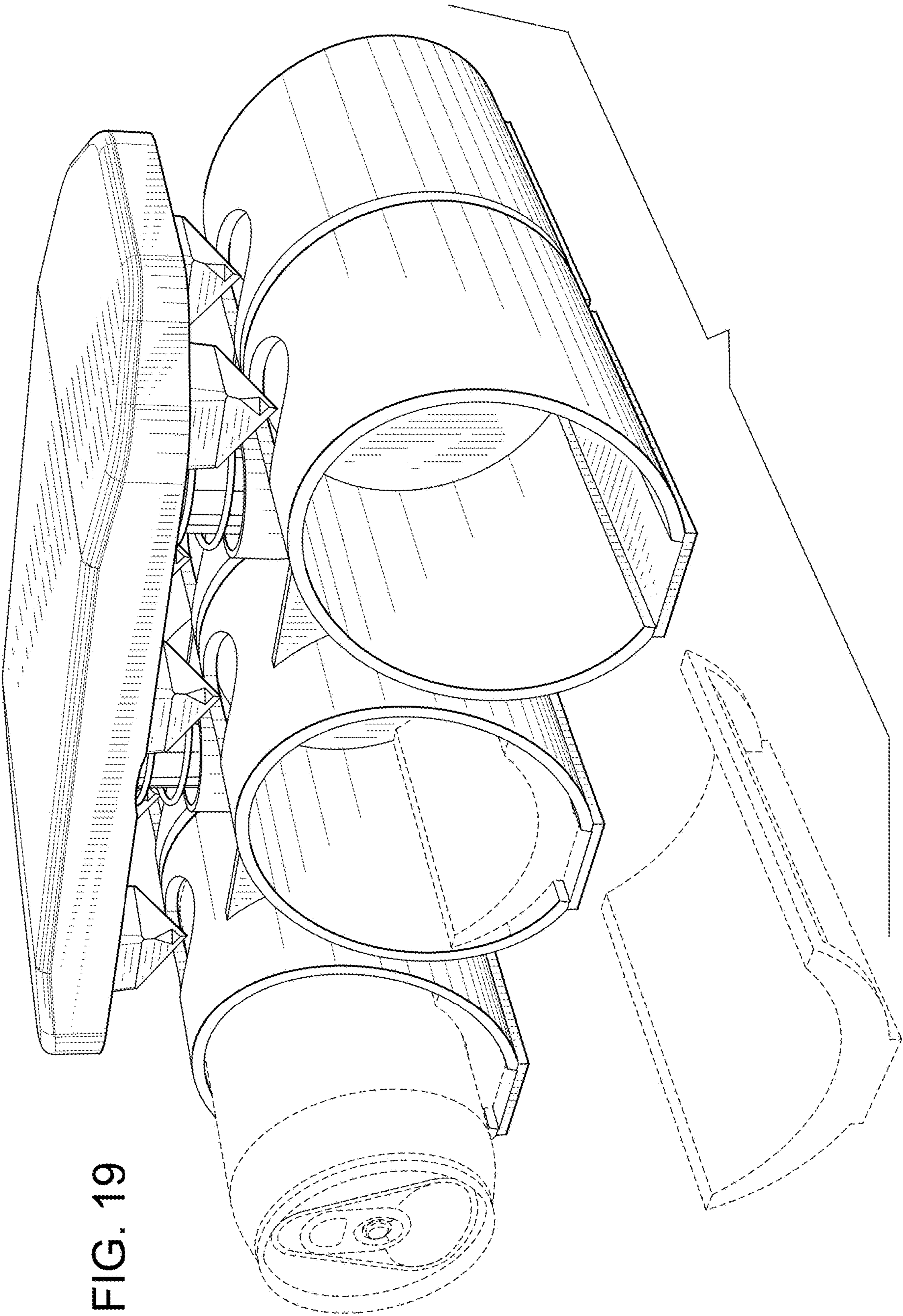


FIG. 19