



US00D982397S

(12) **United States Design Patent**
Weiss

(10) **Patent No.:** **US D982,397 S**
(45) **Date of Patent:** **** Apr. 4, 2023**

- (54) **ANGLED HAND PLOW**
- (71) Applicant: **Jonathan Pieter Weiss**, Camillus, NY (US)
- (72) Inventor: **Jonathan Pieter Weiss**, Camillus, NY (US)
- (**) Term: **15 Years**
- (21) Appl. No.: **29/798,794**
- (22) Filed: **Jul. 9, 2021**
- (51) **LOC (14) Cl.** **08-01**
- (52) **U.S. Cl.**
USPC **D8/10**
- (58) **Field of Classification Search**
USPC D30/40, 46, 49; D8/10, 11
CPC A01B 1/02; A01B 1/022; A01B 1/026;
A01B 1/06; A01B 1/08; A01B 1/16;
E01H 5/02; E01H 5/12
See application file for complete search history.

(56) **References Cited**

U.S. PATENT DOCUMENTS

- 841,848 A * 1/1907 Conner A01B 1/08
172/381
- 1,196,206 A * 8/1916 Bulger E01H 5/06
37/283
- 1,375,505 A * 4/1921 Grady E01H 5/02
37/284
- 1,415,979 A * 5/1922 Bedford E01H 5/02
37/284
- 1,514,076 A * 11/1924 Brown E01H 5/02
294/54.5
- 1,534,179 A * 4/1925 Klinger E01H 5/02
37/284
- 1,693,472 A * 11/1928 Batty E01H 5/02
37/284
- 1,882,945 A * 10/1932 Lestert E01H 5/02
37/270

- 1,956,295 A * 4/1934 Lindgren E01H 5/02
37/284
 - 2,114,641 A * 4/1938 Stevenson E01H 5/02
37/284
 - 2,165,314 A * 7/1939 Stevenson E01H 5/065
37/284
 - 2,811,792 A * 11/1957 Cork, Jr. E01H 5/02
37/270
 - 2,896,993 A * 7/1959 Pollock E01H 5/02
37/283
 - 2,921,798 A * 1/1960 Cislak B62B 1/12
280/47.27
 - D190,820 S * 7/1961 O'Connor 37/284
 - D242,761 S * 12/1976 DiCarlo 294/54.5
- (Continued)

FOREIGN PATENT DOCUMENTS

- CN 302952464 * 10/2014
 - CN 305069422 * 3/2019
- (Continued)

Primary Examiner — Sheryl Lane
Assistant Examiner — Ieisha N Price

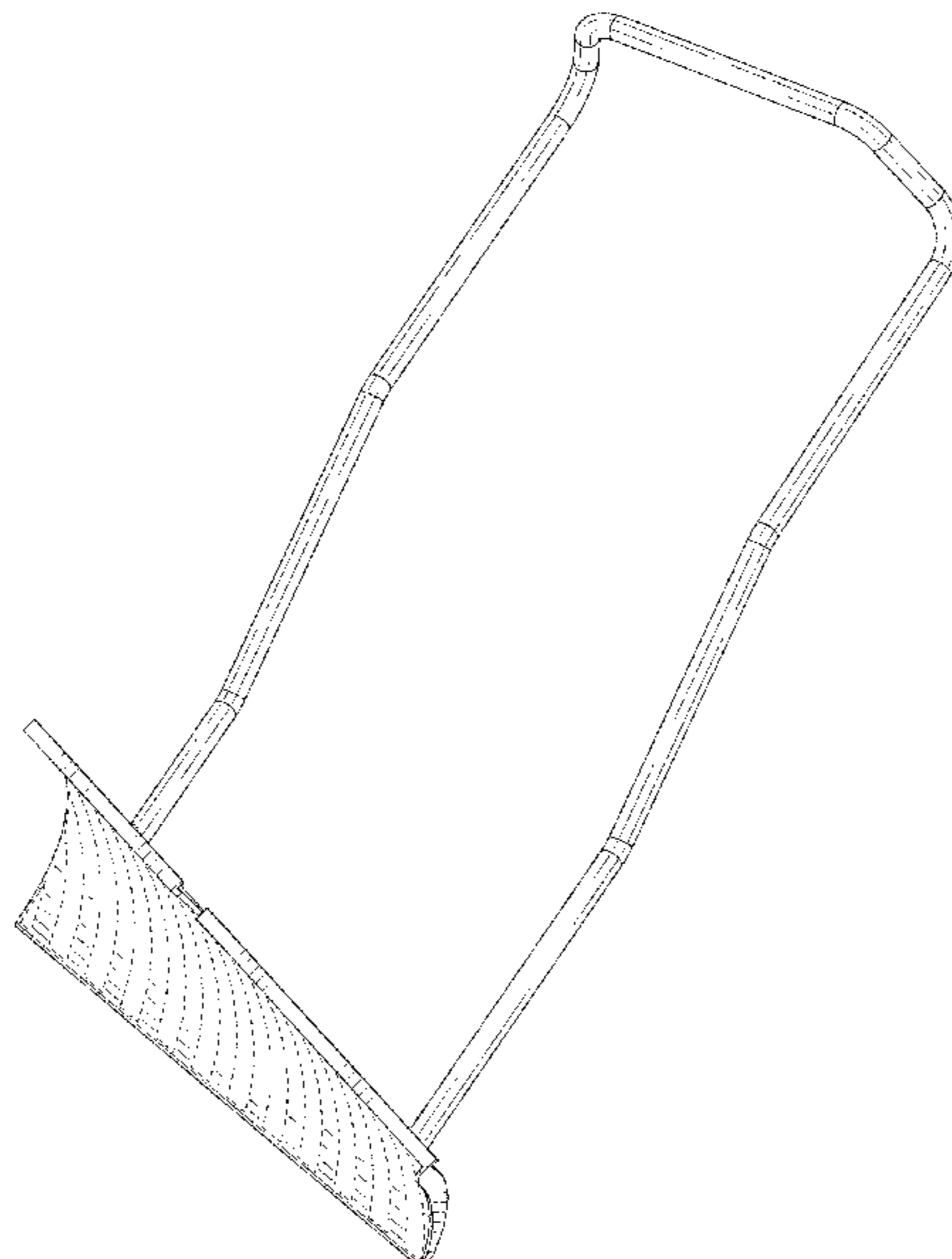
(57) **CLAIM**

The ornamental design for an angled hand plow, as shown and described.

DESCRIPTION

FIG. 1 is a top-front-left perspective view of an angled hand plow showing my new design;
FIG. 2 is a bottom-rear-right perspective view thereof;
FIG. 3 is a front elevational view thereof;
FIG. 4 is a rear elevational view thereof;
FIG. 5 is a left-side elevational view thereof;
FIG. 6 is a right-side elevational view thereof;
FIG. 7 is a top plan view thereof; and,
FIG. 8 is a bottom plan view thereof.
The broken lines in the drawings illustrate portions of the angled hand plow and form no part of the claimed design.

1 Claim, 8 Drawing Sheets



(56)

References Cited

U.S. PATENT DOCUMENTS

4,199,181 A * 4/1980 Mason E01H 5/02
37/284
4,538,847 A * 9/1985 Lapshansky A01B 1/222
294/51
RE32,948 E * 6/1989 Lapshansky A01B 1/222
294/51
D305,603 S * 1/1990 Nelson D8/10
D319,757 S * 9/1991 Nelson D8/10
5,048,883 A * 9/1991 Waluk E01H 5/02
37/285
5,197,772 A * 3/1993 Stecyk A01B 1/02
37/285
D361,482 S * 8/1995 Fugal D8/10
D363,653 S * 10/1995 Tisbo D8/10
5,511,327 A * 4/1996 Jurkowski E01H 5/02
37/285
D373,292 S * 9/1996 Motley D8/10
D375,882 S * 11/1996 Ritchie D8/10
D378,890 S * 4/1997 Furno D3/10
5,669,163 A * 9/1997 Winter E01H 5/02
37/284
D392,522 S * 3/1998 Kenyon D8/10
D393,130 S * 3/1998 Murphy D34/24
D405,330 S * 2/1999 Whitehead D8/10
D409,885 S * 5/1999 McKenzie D8/10
D415,663 S * 10/1999 Whitehead D8/10
5,975,602 A * 11/1999 Zan B25G 1/102
294/58
D417,826 S * 12/1999 Yacobi D8/10
6,435,580 B1 * 8/2002 Lock E01H 5/02
37/284
D475,257 S * 6/2003 Somers D8/10
6,948,268 B1 * 9/2005 Ronca E01H 5/02
37/284
7,305,779 B1 * 12/2007 Purvis E01H 5/02
37/285

D586,192 S * 2/2009 Chesness D8/10
D598,256 S * 8/2009 Chesness D8/10
D602,318 S * 10/2009 Chesness D8/10
7,654,591 B2 * 2/2010 Marble B25G 1/06
294/51
8,070,198 B2 * 12/2011 Burke B25G 3/38
294/51
8,166,677 B1 5/2012 Woyak
9,084,525 B2 * 7/2015 Cohen A47L 13/12
9,187,872 B1 * 11/2015 Hermanson E01H 5/02
9,255,368 B1 * 2/2016 Doolittle E01H 5/02
9,670,632 B2 * 6/2017 Behan E01H 5/02
D793,187 S * 8/2017 Henry D8/10
D874,895 S * 2/2020 Hua D8/10
10,640,093 B2 * 5/2020 Wood A47L 13/08
2004/0178646 A1 * 9/2004 Root A01G 20/43
294/51
2008/0315602 A1 * 12/2008 Chesness B25G 1/00
294/58
2009/0188136 A1 * 7/2009 Westman E01H 5/02
37/266
2009/0235559 A1 * 9/2009 Coles E01H 5/02
37/270
2012/0047777 A1 * 3/2012 Andreas E01H 5/02
37/270
2013/0167413 A1 * 7/2013 Lewis E01H 5/02
37/278
2016/0024733 A1 * 1/2016 Hanks E01H 5/02
37/284
2017/0113660 A1 * 4/2017 Cohen A47L 13/12
2019/0330814 A1 * 10/2019 Yildiz E02F 3/02

FOREIGN PATENT DOCUMENTS

CN 305771975 * 5/2020
KR 200463227 Y1 10/2012
RU 00123033 * 12/2020

* cited by examiner

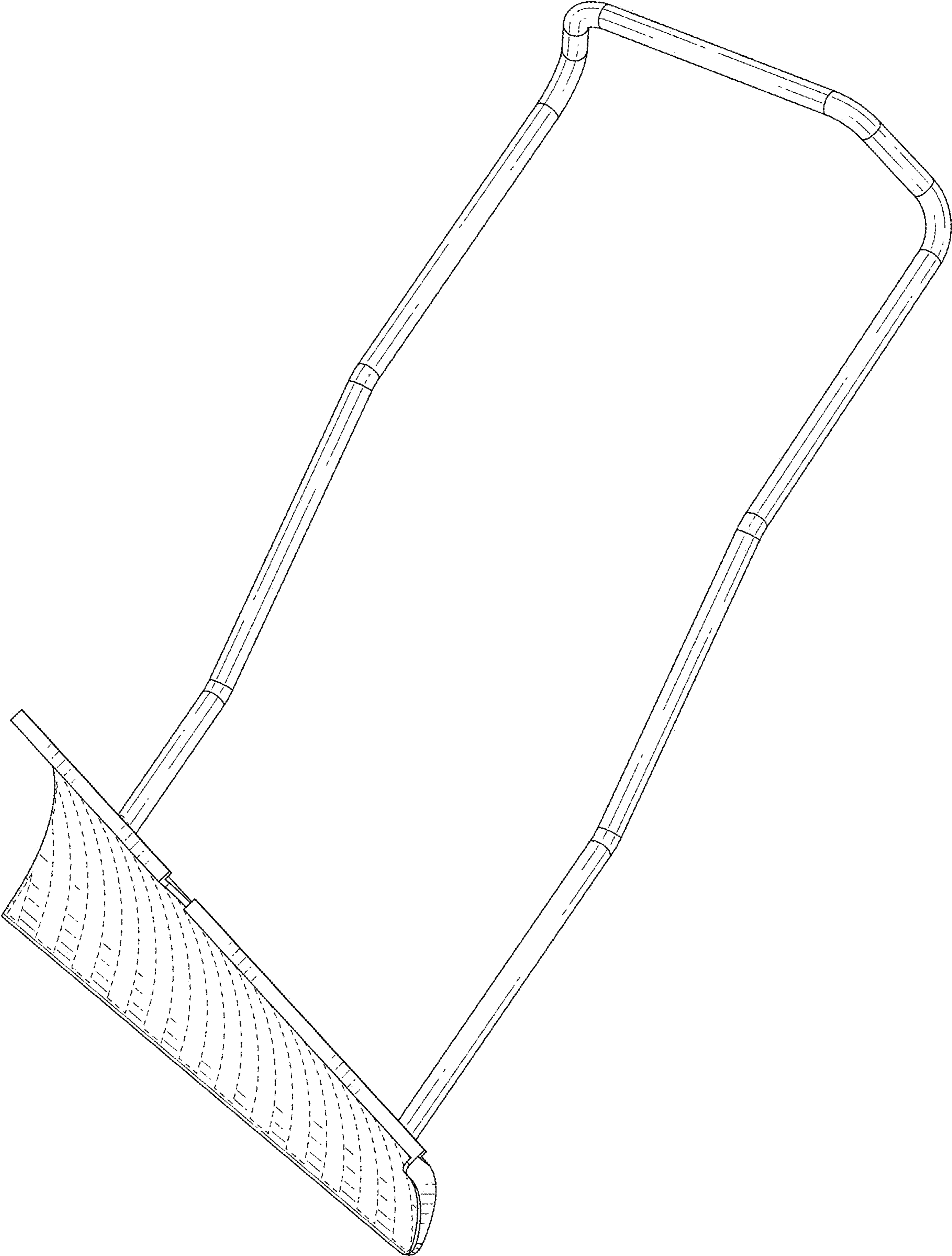


FIG. 1

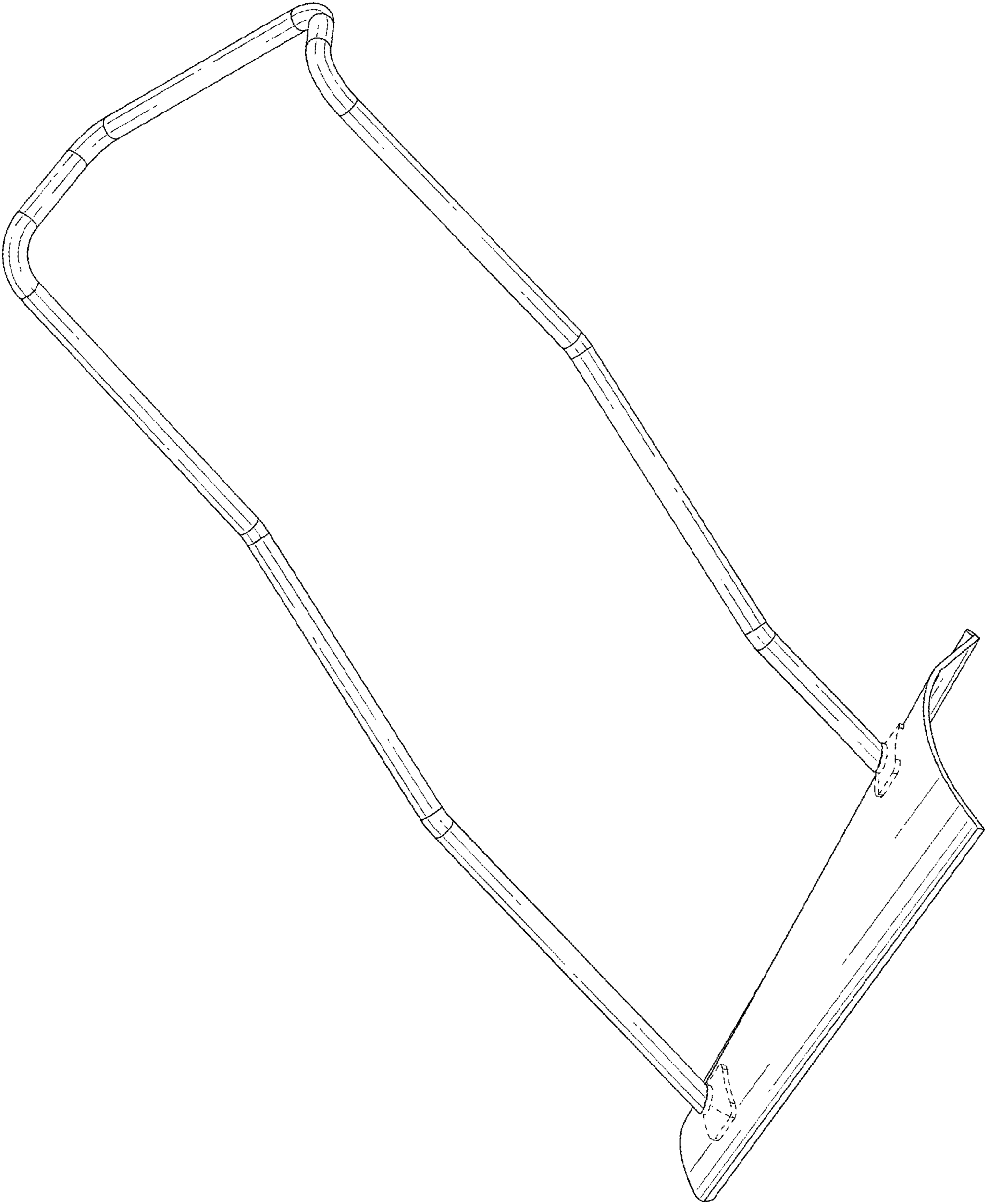


FIG. 2

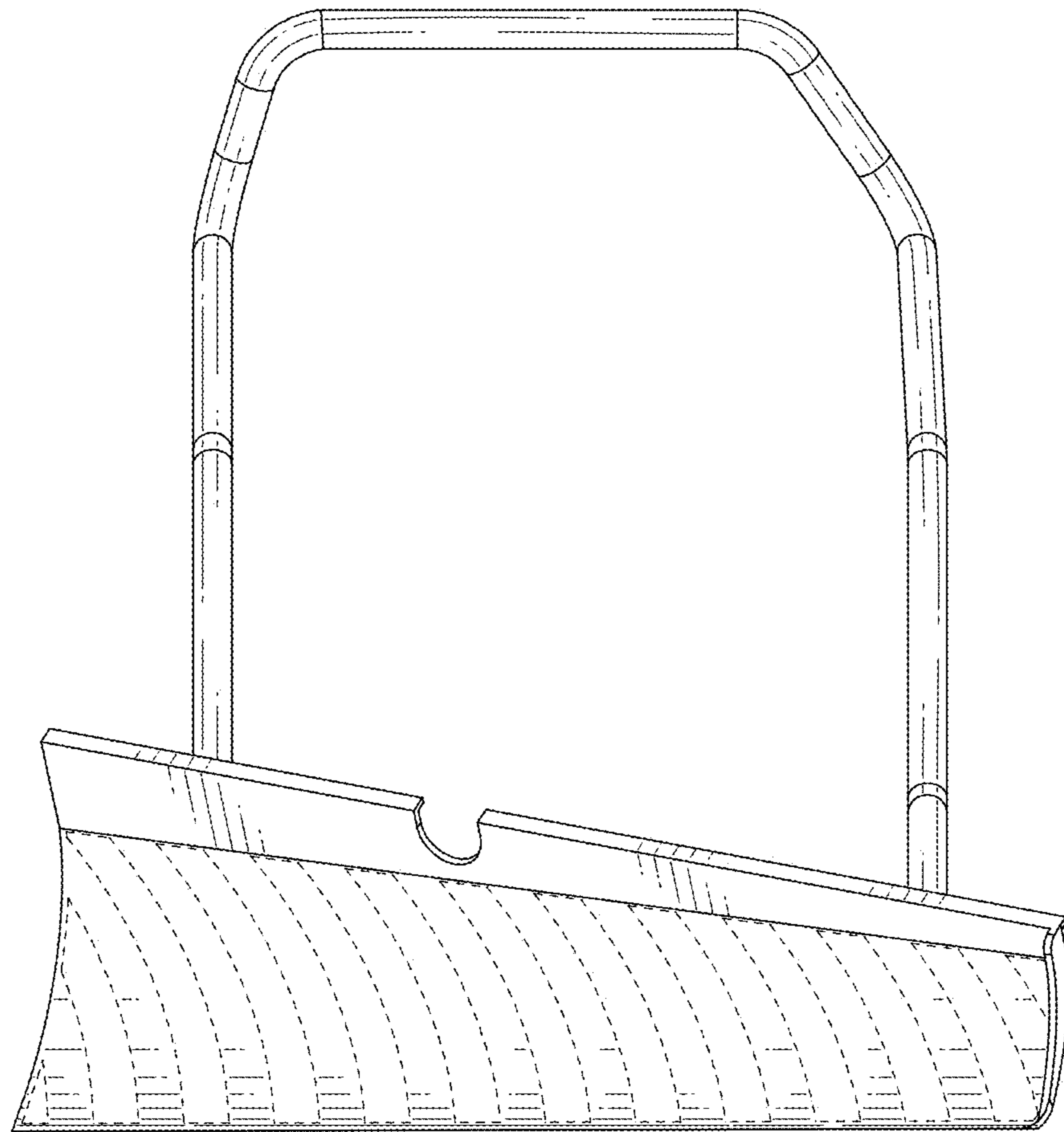


FIG. 3

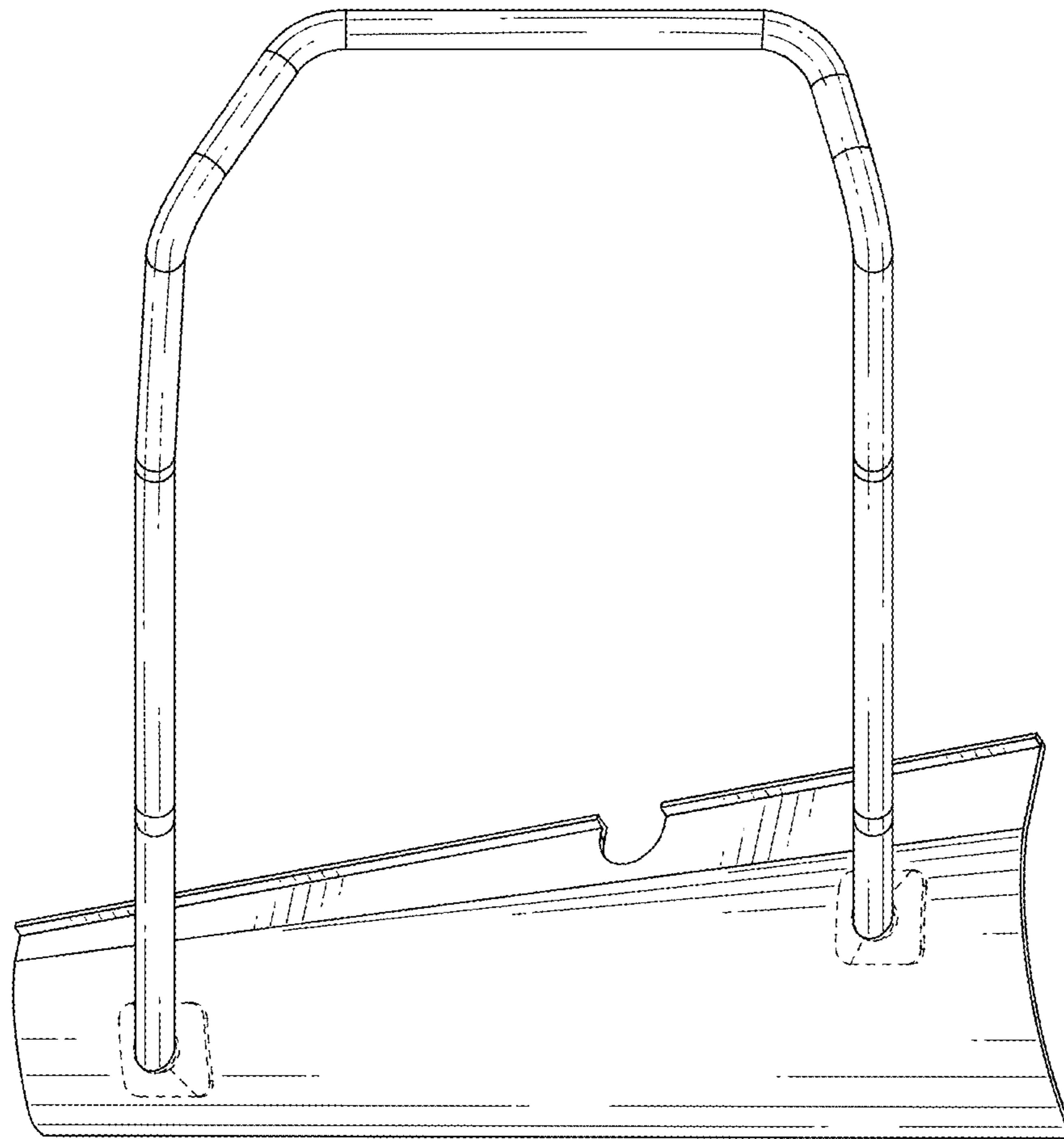


FIG. 4

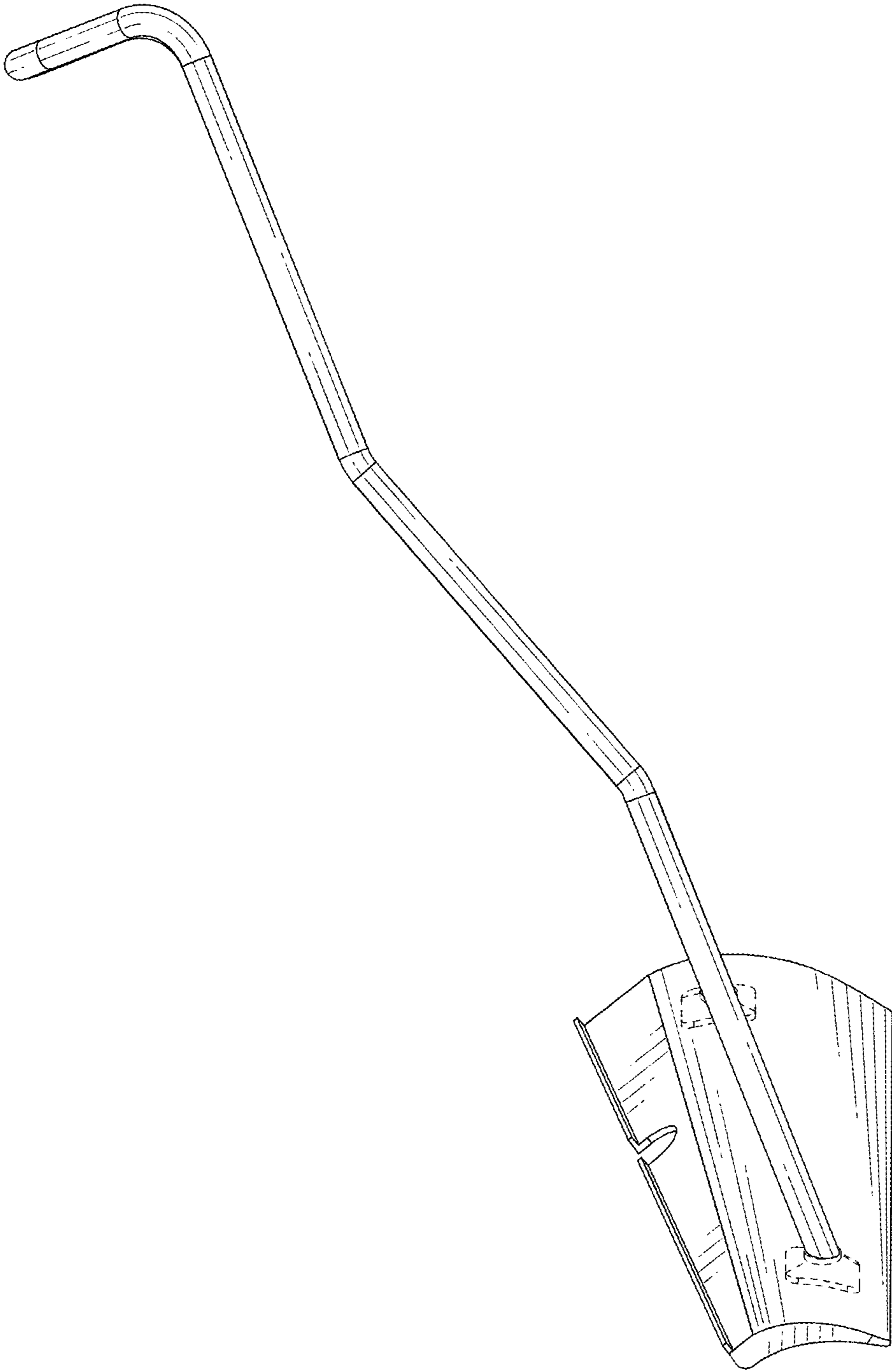


FIG. 5

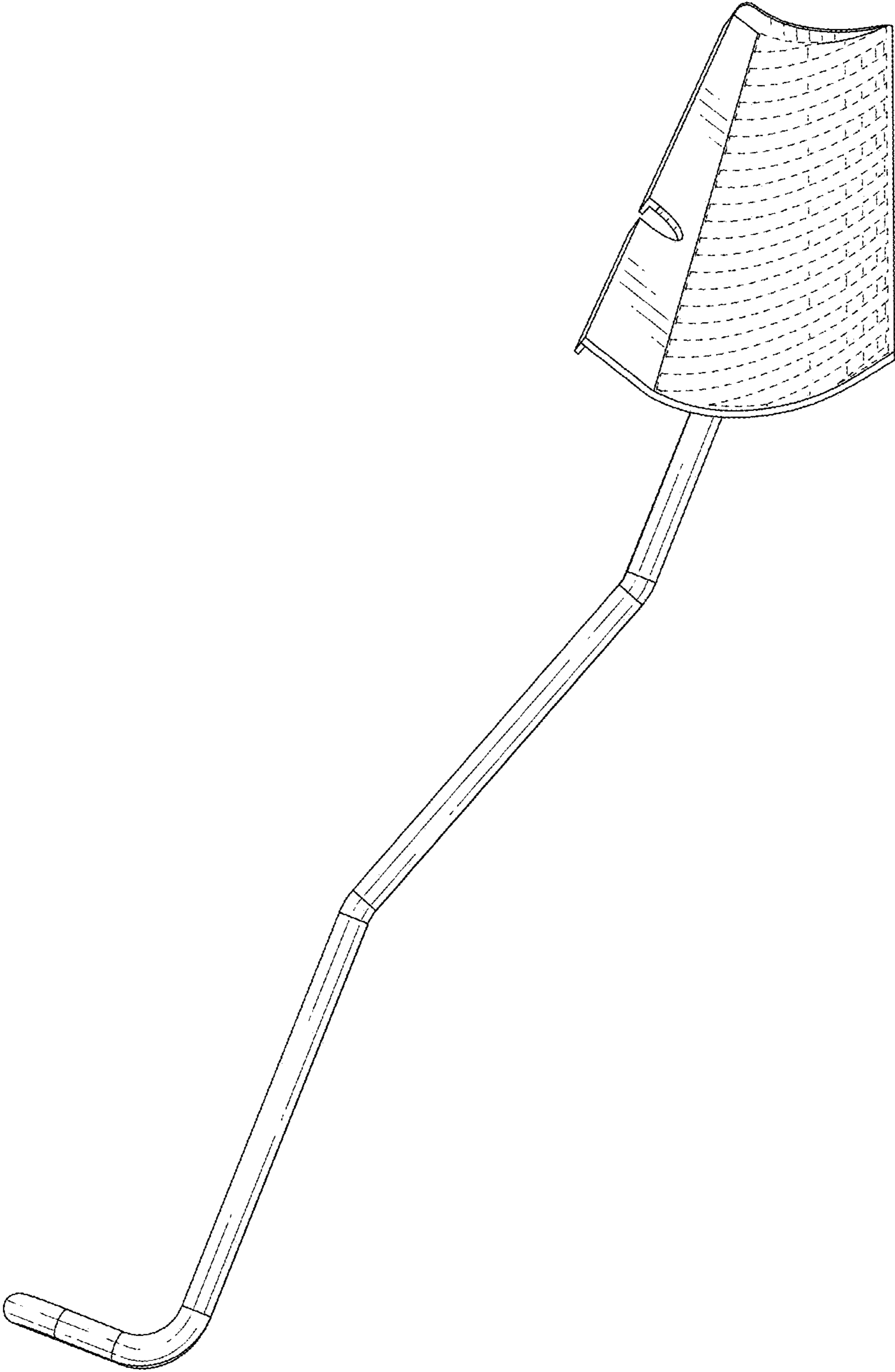


FIG. 6

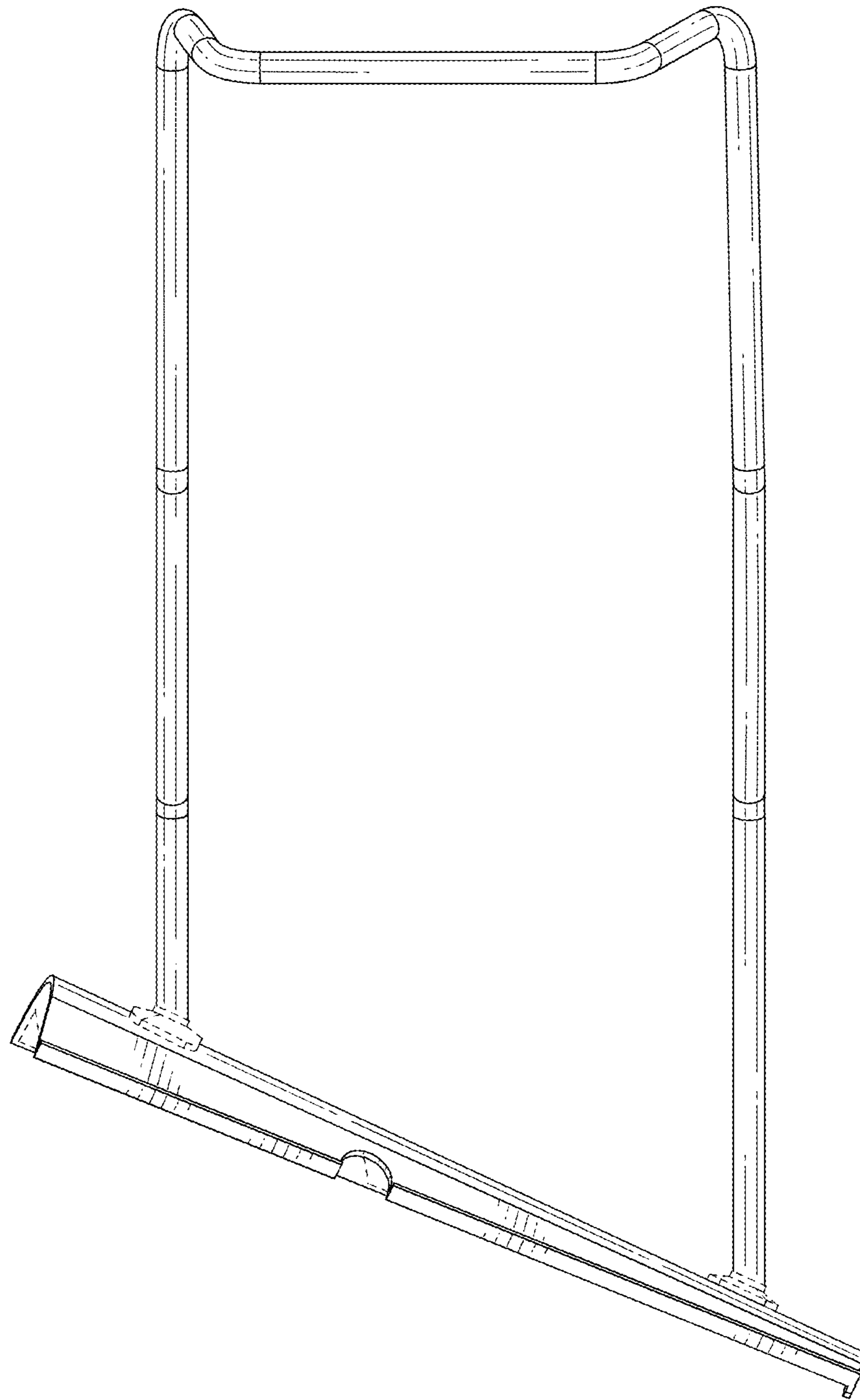


FIG. 7

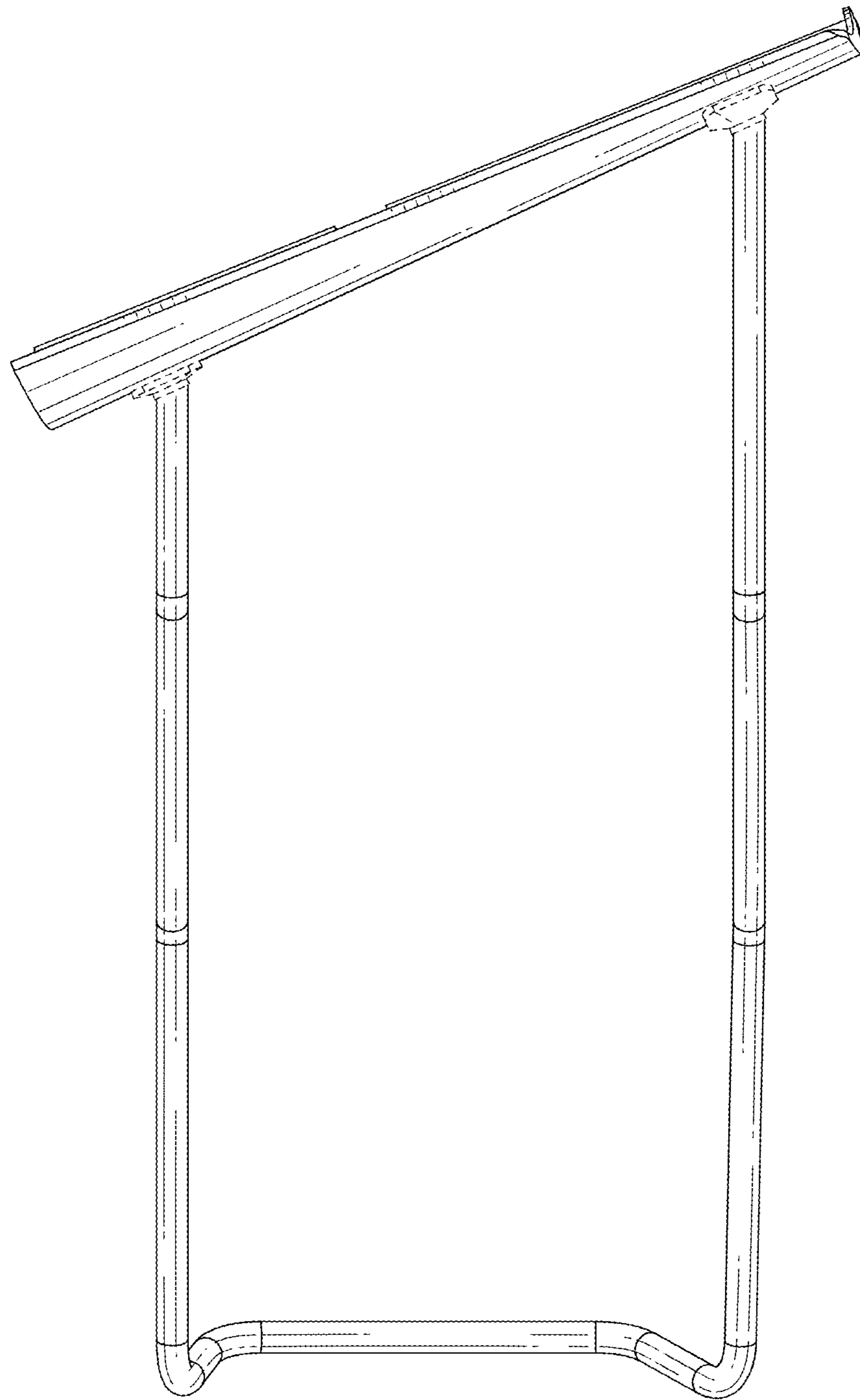


FIG. 8