



US00D982395S

(12) **United States Design Patent** (10) **Patent No.:** **US D982,395 S**
Kraemer (45) **Date of Patent:** **** Apr. 4, 2023**

(54) **HOLDER**
(71) Applicant: **InterDesign, Inc.**, Solon, OH (US)
(72) Inventor: **Kevin Francis Kraemer**, Cuyahoga Falls, OH (US)
(73) Assignee: **InterDesign, Inc.**, Solon, OH (US)
(**) Term: **15 Years**
(21) Appl. No.: **29/837,598**
(22) Filed: **May 6, 2022**

(56) **References Cited**
U.S. PATENT DOCUMENTS
1,967,026 A 7/1934 Gray et al.
D219,956 S * 2/1971 Clemens D9/456
(Continued)

FOREIGN PATENT DOCUMENTS
CN 101071032 A 11/2007
CN 201670456 U 12/2010
(Continued)

OTHER PUBLICATIONS
This case is related to U.S. Appl. No. 29/823,722, filed Jan. 19, 2022.

Primary Examiner — Nathan M Johnston
(74) *Attorney, Agent, or Firm* — Calfee, Halter & Griswold LLP

Related U.S. Application Data

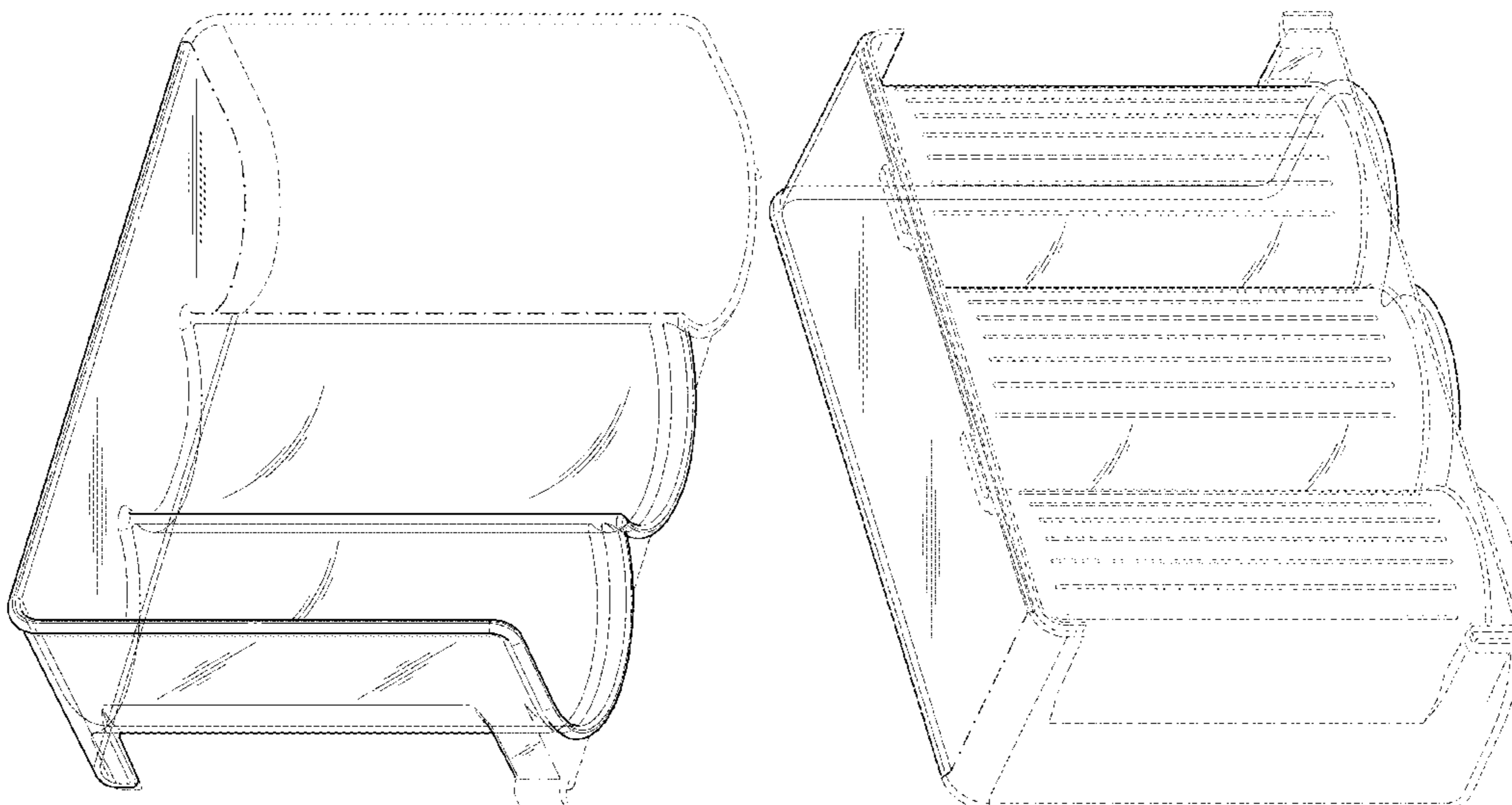
(60) Continuation of application No. 29/823,722, filed on Jan. 19, 2022, which is a division of application No. 29/805,560, filed on Aug. 27, 2021, now Pat. No. Des. 960,649, which is a continuation of application No. 29/770,752, filed on Feb. 16, 2021, now Pat. No. Des. 929,147, which is a continuation of application No. 29/733,178, filed on Apr. 30, 2020, now Pat. No. Des. 912,985, which is a division of application No. 29/678,010, filed on Jan. 25, 2019, now Pat. No. Des. 902,594, which is a continuation of application No. 29/638,819, filed on Mar. 1, 2018, now Pat. No. Des. 842,606, which is a continuation of application No. 29/546,621, filed on Nov. 24, 2015, now Pat. No. Des. 811,768, which is a continuation of application No. 29/423,096, filed on May 29, 2012, now Pat. No. Des. 746,643.
(51) **LOC (14) Cl.** **15-07**
(52) **U.S. Cl.**
USPC **D7/701**; D15/89
(58) **Field of Classification Search**
USPC D7/701, 704, 707, 708; 206/427, 429; 211/71.01, 72, 74, 189, 194; D15/89
CPC A47B 73/006; A47B 73/008; A47B 45/00; A47B 96/02; A47F 7/28; B01L 9/06
See application file for complete search history.

(57) **CLAIM**
I claim the ornamental design for a holder, as shown and described.

DESCRIPTION

FIG. 1 is a front/left/top perspective view of a holder showing my new design;
FIG. 2 is a rear/right/bottom perspective view thereof;
FIG. 3 is a front elevational view thereof;
FIG. 4 is a rear elevational view thereof;
FIG. 5 is a left side elevational view thereof;
FIG. 6 is a right side elevational view thereof;
FIG. 7 is a top plan view thereof; and,
FIG. 8 is a bottom plan view thereof.
The uniformly broken lines represent portions of the holder that form no part of the claimed design; the dash-dot broken lines represent the bounds of the claimed design and form no part of the claimed design.

1 Claim, 8 Drawing Sheets



(56)

References Cited

U.S. PATENT DOCUMENTS

3,564,668 A * 2/1971 Kirk B43K 23/001
D8/395
D222,151 S * 10/1971 Majewski 211/74
3,788,487 A 1/1974 Dawson
D233,817 S * 12/1974 Mathews D7/619.1
D261,891 S 11/1981 Thompson et al.
4,637,580 A * 1/1987 Idstein A47J 47/16
248/220.21
4,660,727 A 4/1987 Levine
D300,293 S 3/1989 Casey
4,889,245 A * 12/1989 Rinke B65D 71/50
211/49.1
D305,395 S 1/1990 Steelman
D329,963 S * 10/1992 Schneider D7/387
D336,408 S * 6/1993 Tersch D7/619.1
D353,747 S 12/1994 Lanier
5,370,245 A * 12/1994 Tersch A47B 73/006
211/74
5,626,407 A 5/1997 Westcott
D387,559 S 12/1997 Williamson
D421,370 S 3/2000 Hints
D424,892 S * 5/2000 Ribet D7/701
D431,427 S 10/2000 Syvuk et al.
D436,730 S 1/2001 Dembicks
D437,116 S 2/2001 Dembicks
D446,092 S 8/2001 Cautereels
D451,676 S 12/2001 Dembicks
D454,749 S * 3/2002 Georgiadis D6/629
D476,831 S * 7/2003 Fulmer D6/683.1
D479,786 S 9/2003 Matheou
D498,376 S * 11/2004 Christopher D6/629
6,811,042 B2 * 11/2004 Kelly A47B 81/007
211/74
D502,626 S * 3/2005 Georgiadis D6/629
D519,279 S 4/2006 Krebs et al.
D547,973 S 8/2007 Brown et al.
D547,992 S * 8/2007 Belokin D6/574
D590,596 S 4/2009 Dretzka
7,584,862 B2 9/2009 Robertson
D603,228 S 11/2009 Frentzel
D606,314 S 12/2009 Neilsen
D615,300 S 5/2010 Brown et al.
D627,612 S 11/2010 Falk et al.

D637,457 S 5/2011 Thompson
7,984,806 B2 7/2011 Matheou
D661,556 S * 6/2012 Warner D7/708
D663,776 S 7/2012 Lira-Nunez et al.
D669,937 S 10/2012 Lira-Nunez et al.
D684,002 S * 6/2013 Cloutier D7/354
D684,419 S * 6/2013 Cloutier D7/354
D701,418 S * 3/2014 Tingley D7/357
9,149,135 B2 10/2015 Dovell
D747,628 S 1/2016 Kowalczyk
D751,125 S 3/2016 Kim et al.
D760,560 S 7/2016 Chosovich
9,752,822 B2 9/2017 Lee et al.
D844,350 S * 4/2019 De Loynes D6/675.1
D852,490 S 7/2019 De Loynes et al.
D883,745 S * 5/2020 He D7/701
D889,909 S * 7/2020 Chapman D7/701
D915,073 S 4/2021 Kraemer
D942,229 S 2/2022 Kraemer
D970,315 S 11/2022 Kraemer
2006/0102570 A1 * 5/2006 Robertson F25D 23/04
211/75
2007/0228909 A1 10/2007 Hwang et al.
2010/0172687 A1 * 7/2010 Silva Rubio B43M 99/006
401/52
2013/0026121 A1 1/2013 Thompson
2014/0239022 A1 * 8/2014 Dovell A47F 7/281
224/148.4

FOREIGN PATENT DOCUMENTS

CN 201897361 U 7/2011
CN 102494503 A 6/2012
CN 202393159 U 8/2012
CN 203286849 U 11/2013
CN 203744647 U 7/2014
CN 302862476 S 7/2014
CN 102679682 B 8/2014
CN 204100701 U 1/2015
CN 204678786 U 9/2015
CN 104567249 B 1/2017
GB 821455 A 10/1959
KR 200157967 Y1 7/1999
WO 2020171842 A1 8/2020

* cited by examiner

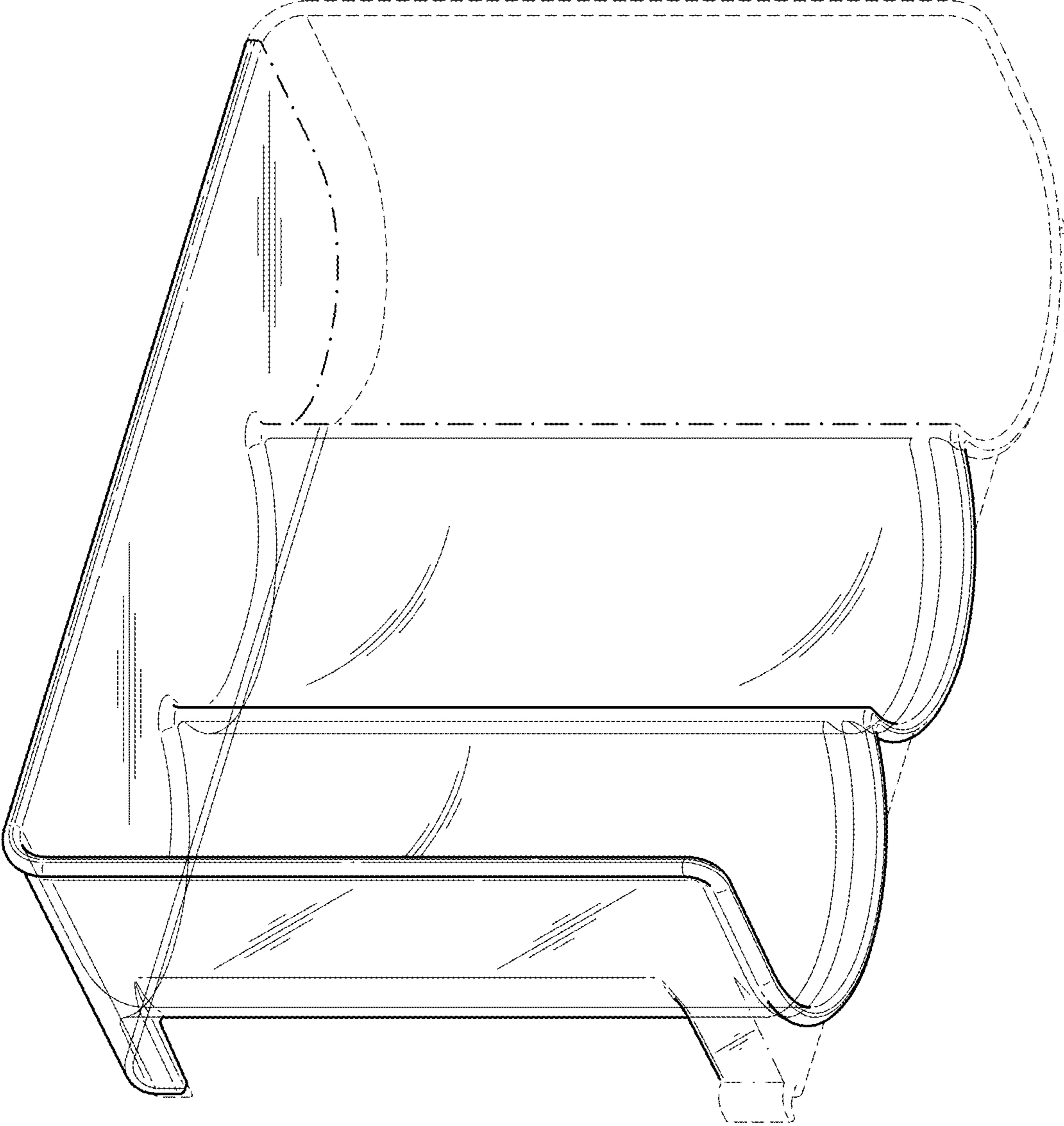


FIG. 1

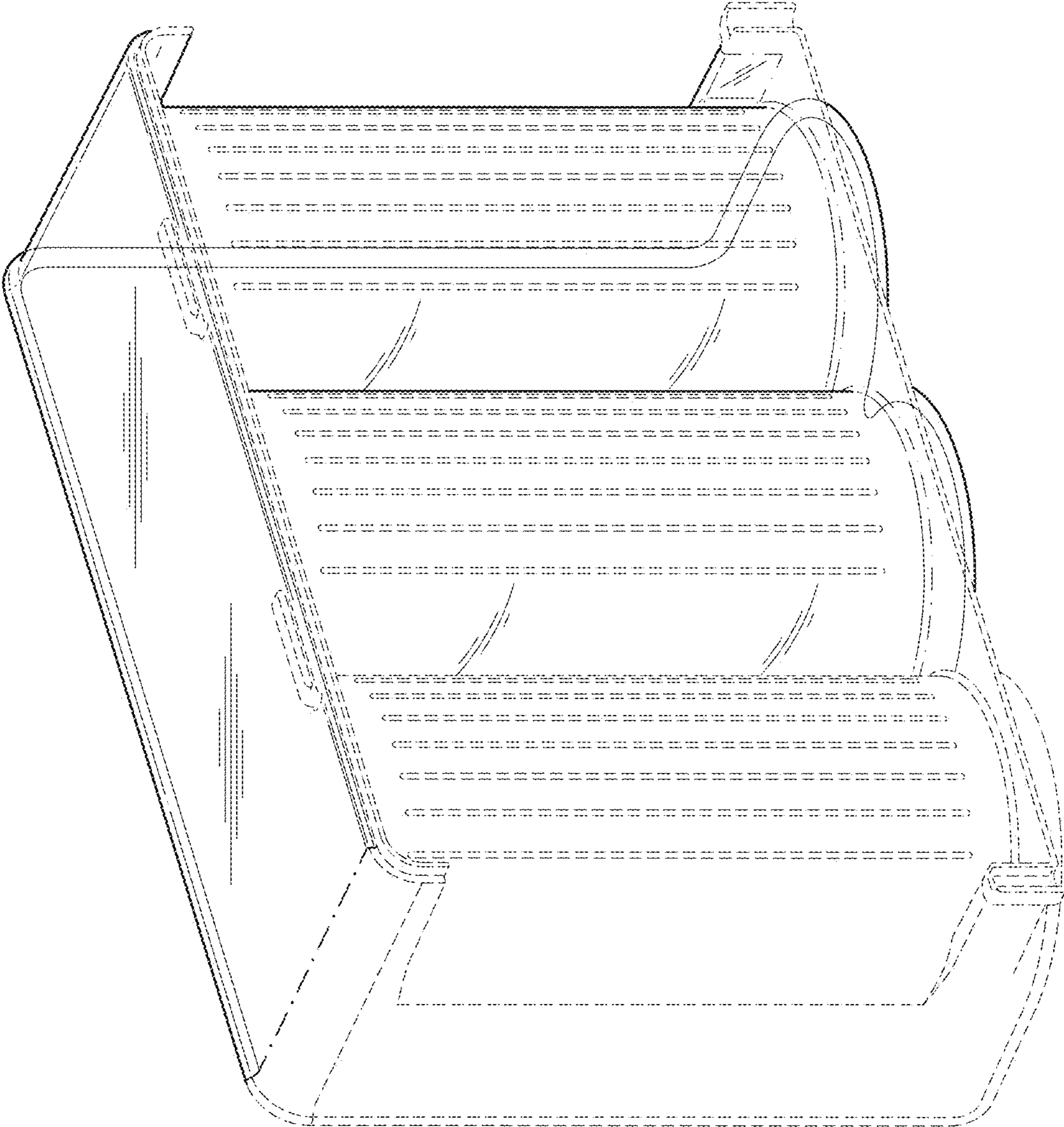


FIG. 2

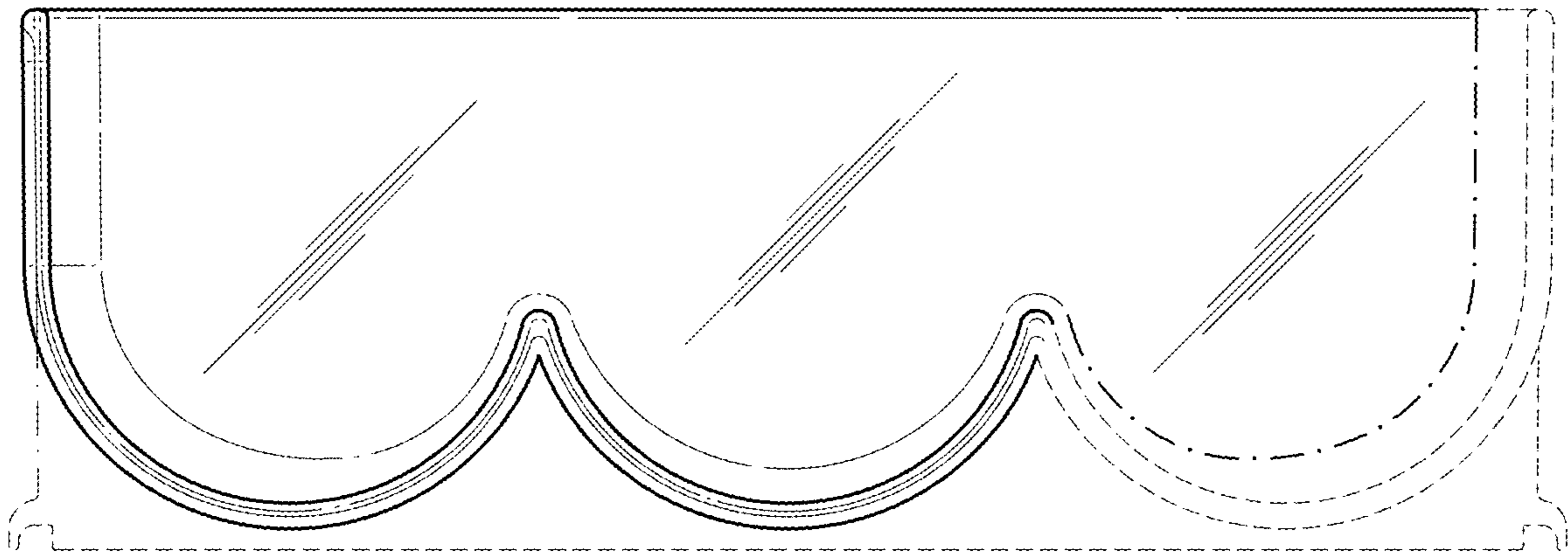


FIG. 3

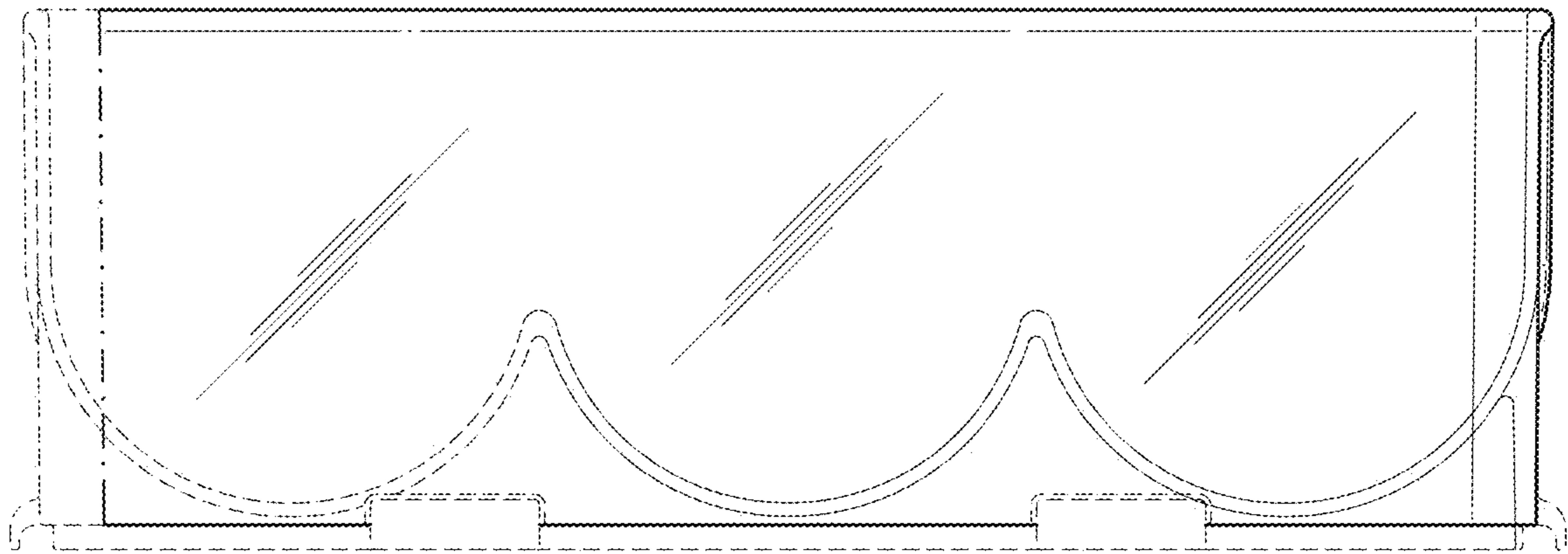


FIG. 4

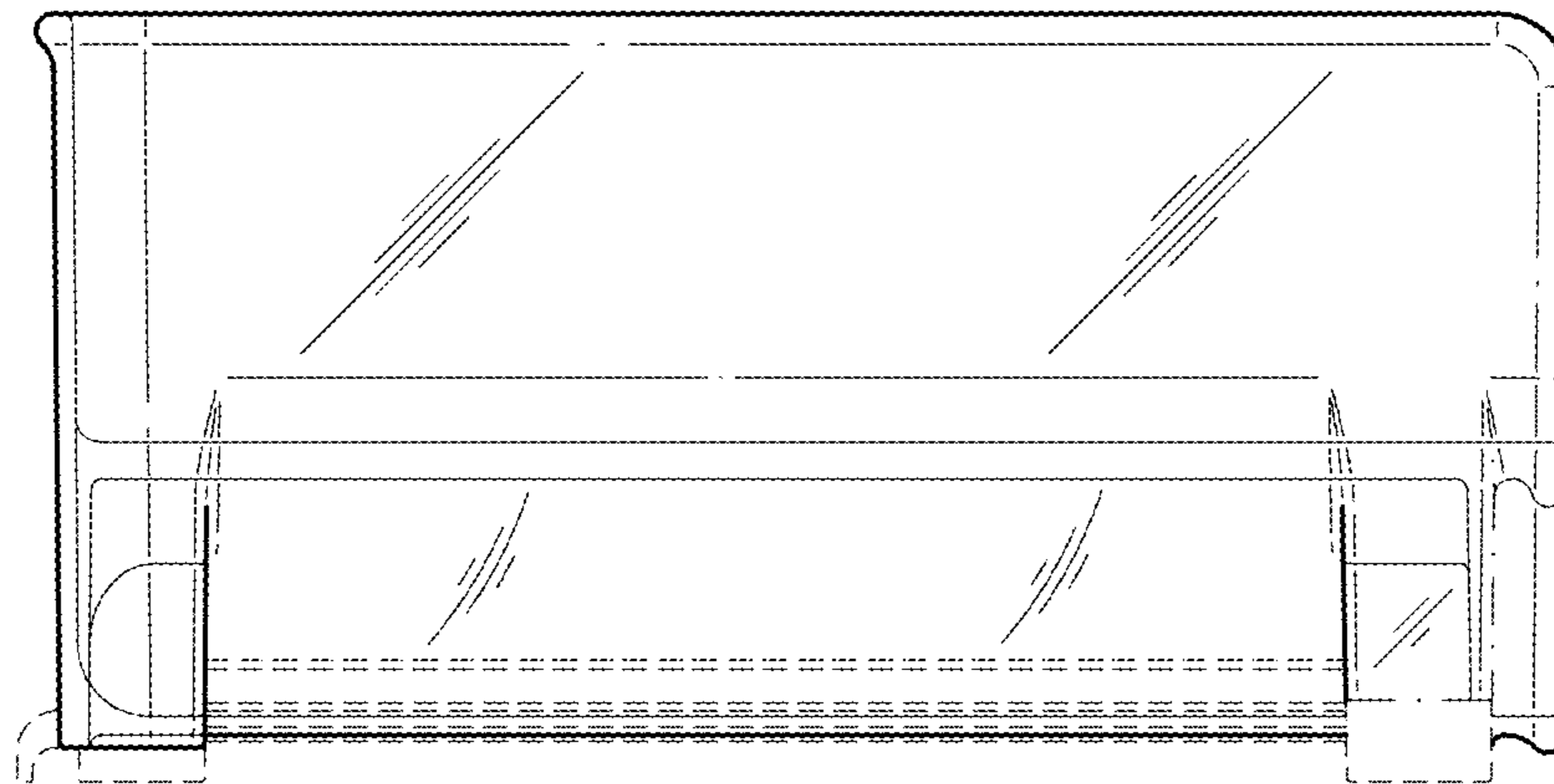


FIG. 5



FIG. 6

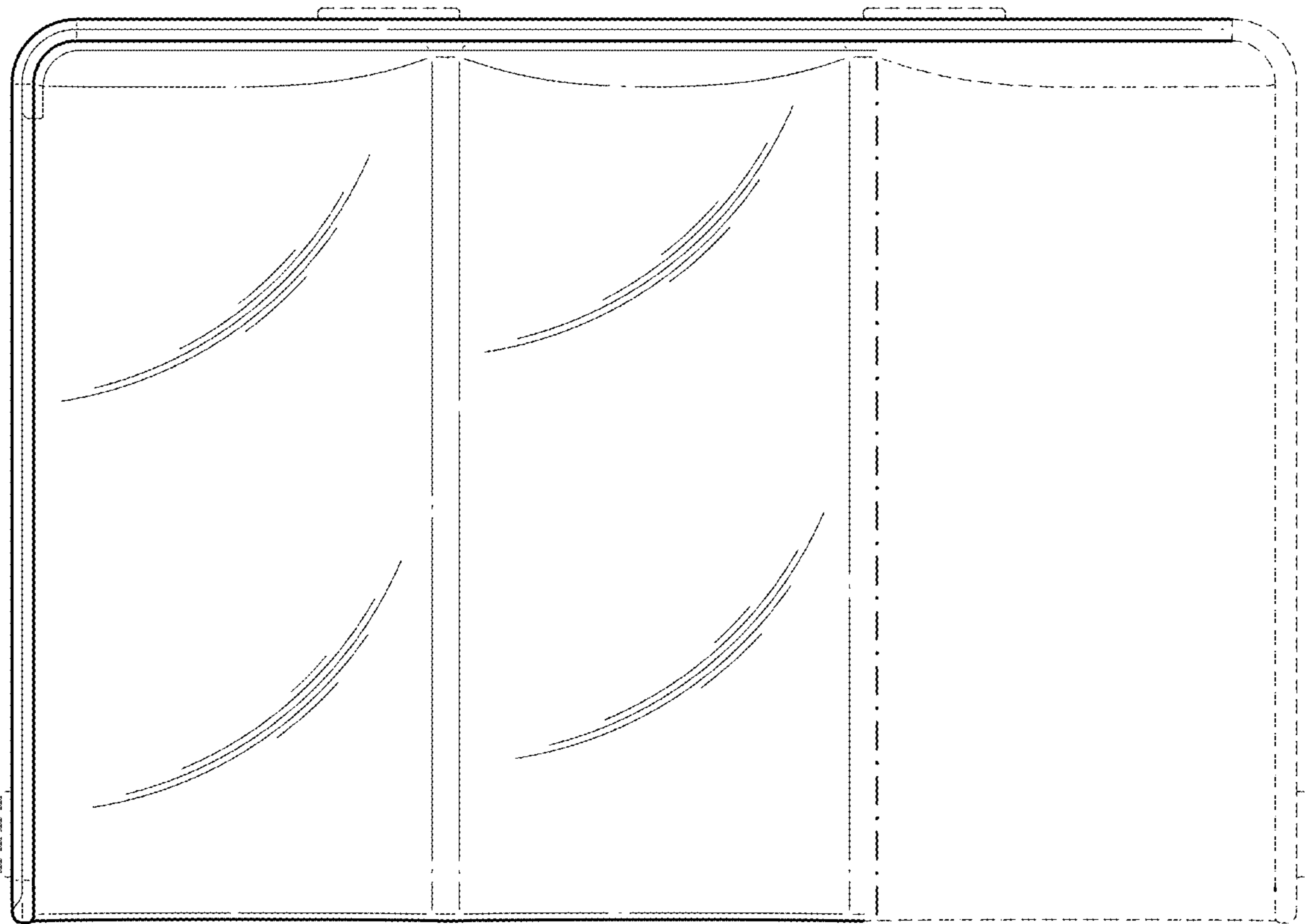


FIG. 7

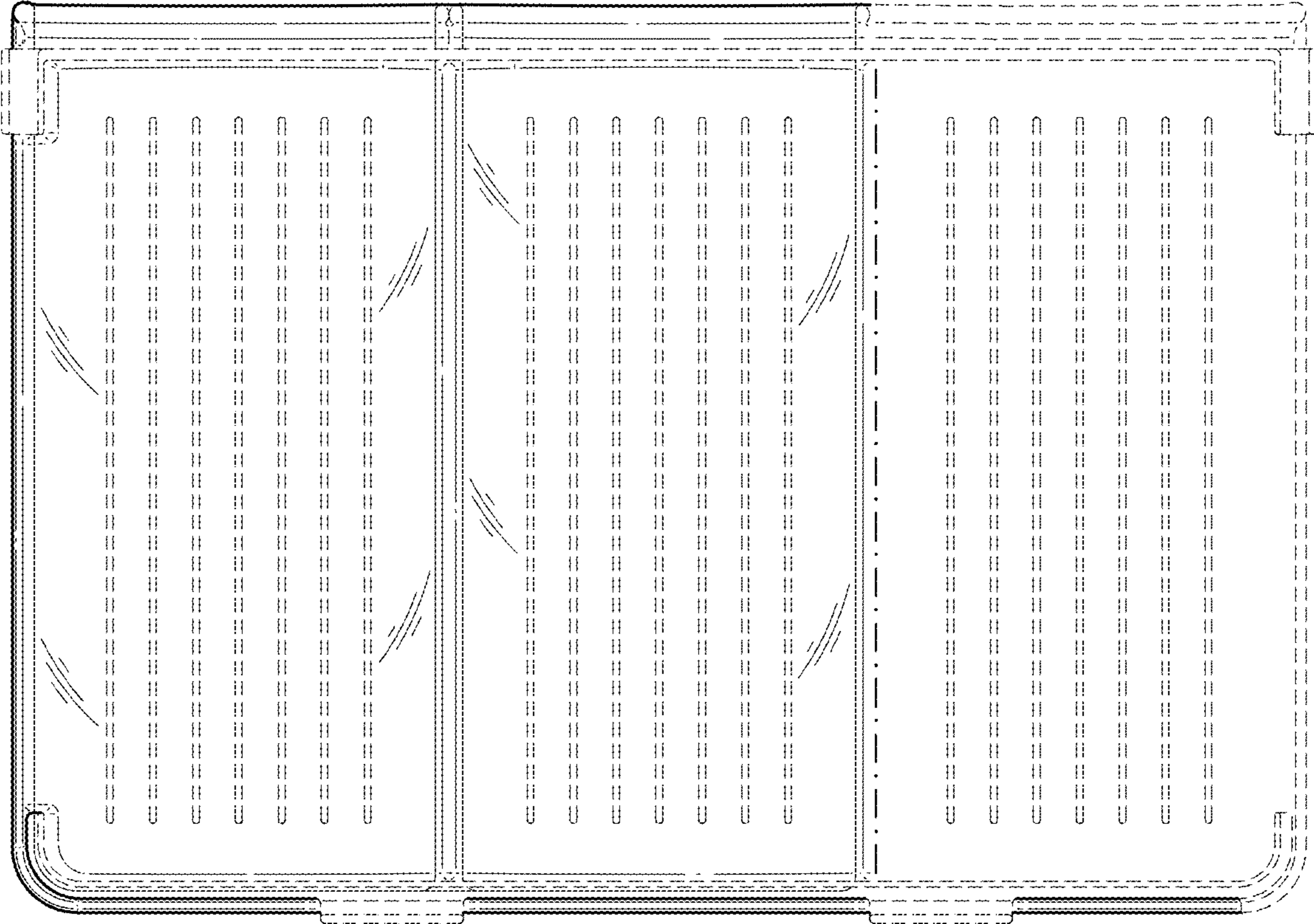


FIG. 8