



US00D982393S

(12) **United States Design Patent**
Orlov

(10) **Patent No.: US D982,393 S**

(45) **Date of Patent: ** Apr. 4, 2023**

(54) **SLIDABLE STRAINER**

OTHER PUBLICATIONS

(71) Applicant: **Vladimir Orlov**, Sherman Oaks, CA
(US)

Hanging Colander Noodle Strainer Basket With Handle, Dec. 18, 2021, <https://www.amazon.com/Noodle-Strainer-Basket-Handle-Stainless/dp/B09NSMRDX4?th=1> (Year: 2021).*

(72) Inventor: **Vladimir Orlov**, Sherman Oaks, CA
(US)

(Continued)

(**) Term: **15 Years**

Primary Examiner — Christian P. McLean
Assistant Examiner — Nader Abadir

(21) Appl. No.: **29/795,577**

(57) **CLAIM**

(22) Filed: **Jun. 18, 2021**

The ornamental design for a slidable strainer, as shown and described.

(51) **LOC (14) Cl.** **07-04**

DESCRIPTION

(52) **U.S. Cl.**

USPC **D7/667**; D7/665; D7/666; D7/668

(58) **Field of Classification Search**

USPC D7/665–668, 680–696, 395; D23/209,
D23/210; D32/35

CPC A47J 43/281; A47J 43/285; A47J 19/005

See application file for complete search history.

(56) **References Cited**

U.S. PATENT DOCUMENTS

642,262 A	1/1900	Sarles	
D254,529 S *	3/1980	Arnoff	D32/55
D255,480 S *	6/1980	Zieg	D23/209
D450,106 S *	11/2001	Herr	D23/261
D550,805 S *	9/2007	Hazlehurst	D23/209
D557,374 S *	12/2007	Pecca	D23/209
D749,706 S *	2/2016	Johansen	D23/260
D792,562 S *	7/2017	Ali	D23/261
D794,759 S *	8/2017	Karnegie	D23/261
D832,408 S *	10/2018	St-Antoine	D23/261

(Continued)

FOREIGN PATENT DOCUMENTS

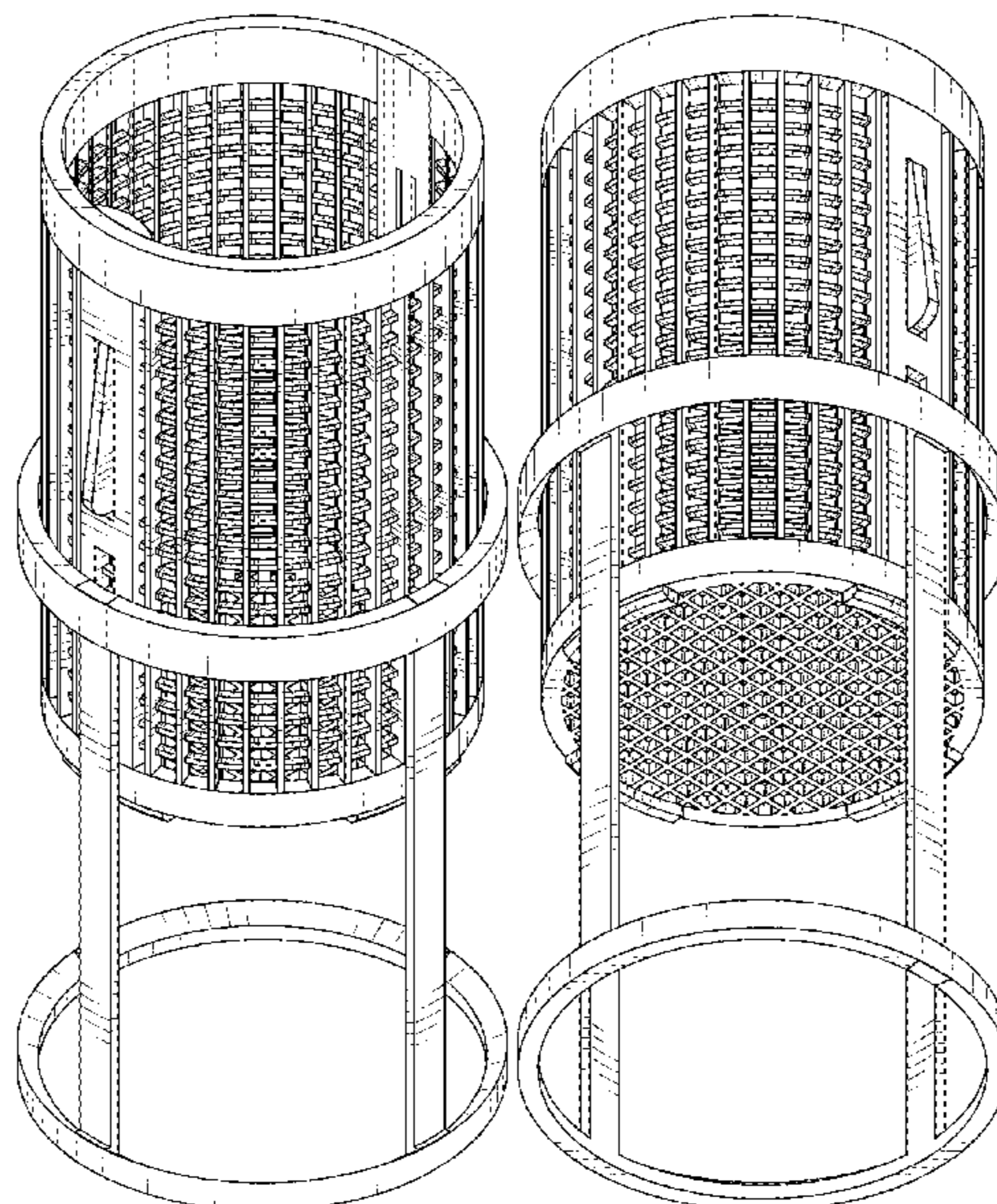
CN	305295271	*	8/2019
CN	307489638	*	8/2022

(Continued)

FIG. 1 is a top-front-left perspective view of a slidable strainer showing my design;
 FIG. 2 is a bottom-front-right perspective view thereof;
 FIG. 3 is a front elevational view thereof;
 FIG. 4 is a rear elevational view thereof;
 FIG. 5 is a right elevational view thereof;
 FIG. 6 is a left elevational view thereof;
 FIG. 7 is a top plan view thereof;
 FIG. 8 is a bottom plan view thereof;
 FIG. 9 is a reduced top-front-right perspective view thereof, wherein the slidable strainer is retracted within a can;
 FIG. 10 is a reduced bottom-front-left perspective view thereof, wherein the slidable strainer is retracted within the can;
 FIG. 11 is a reduced top-front-right perspective view thereof, wherein the slidable strainer is extended out of the can; and,
 FIG. 12 is a reduced bottom-front-left perspective view thereof, wherein the slidable strainer is extended out of the can.

The broken line showing of a can in FIGS. 9 through 12 is for the purpose of illustrating environmental structure and forms no part of the claimed design.

1 Claim, 12 Drawing Sheets



(56)

References Cited

U.S. PATENT DOCUMENTS

D873,975 S * 1/2020 Chen D23/261
D904,577 S * 12/2020 Lian D23/261
D931,422 S * 9/2021 Drossman D23/261
D967,352 S * 10/2022 McClure D23/261
2008/0066486 A1 3/2008 Halterman
2013/0313258 A1 11/2013 Sines

FOREIGN PATENT DOCUMENTS

EM 008859482-0001 * 2/2022
WO WO1998042590 A1 10/1998

OTHER PUBLICATIONS

Luxshiny Mesh Pasta Basket Straining Noodles Pasta Basket with Hook, May 9, 2022, <https://www.amazon.com/Luxshiny-Straining-Stainless-Strainer-Colander/dp/B09ZTKCW1G> (Year: 2022).*

Mesh Pasta Basket, Stainless Steel Mesh Spider Strainer, Mar. 30, 2021, <https://www.amazon.com/Hemoton-Strainer-Dumpling-Skimmer-Restaurant/dp/B091CLPS19> (Year: 2021).*

Lot45 Stainless Steel Pasta Insert, Pasta Strainer Basket Mesh Strainer, Apr. 19, 2019, <https://www.amazon.com/Lot45-Stainless-Insert-Strainer-Basket/dp/B07QYBGX5T> (Year: 2019).*

Pickle Storage Container with Strainer Insert, Food Saver (Green Lid), <https://www.amazon.com/Pickle-Storage-Container-Strainer-Insert/dp/B073BX1VYB>.

* cited by examiner

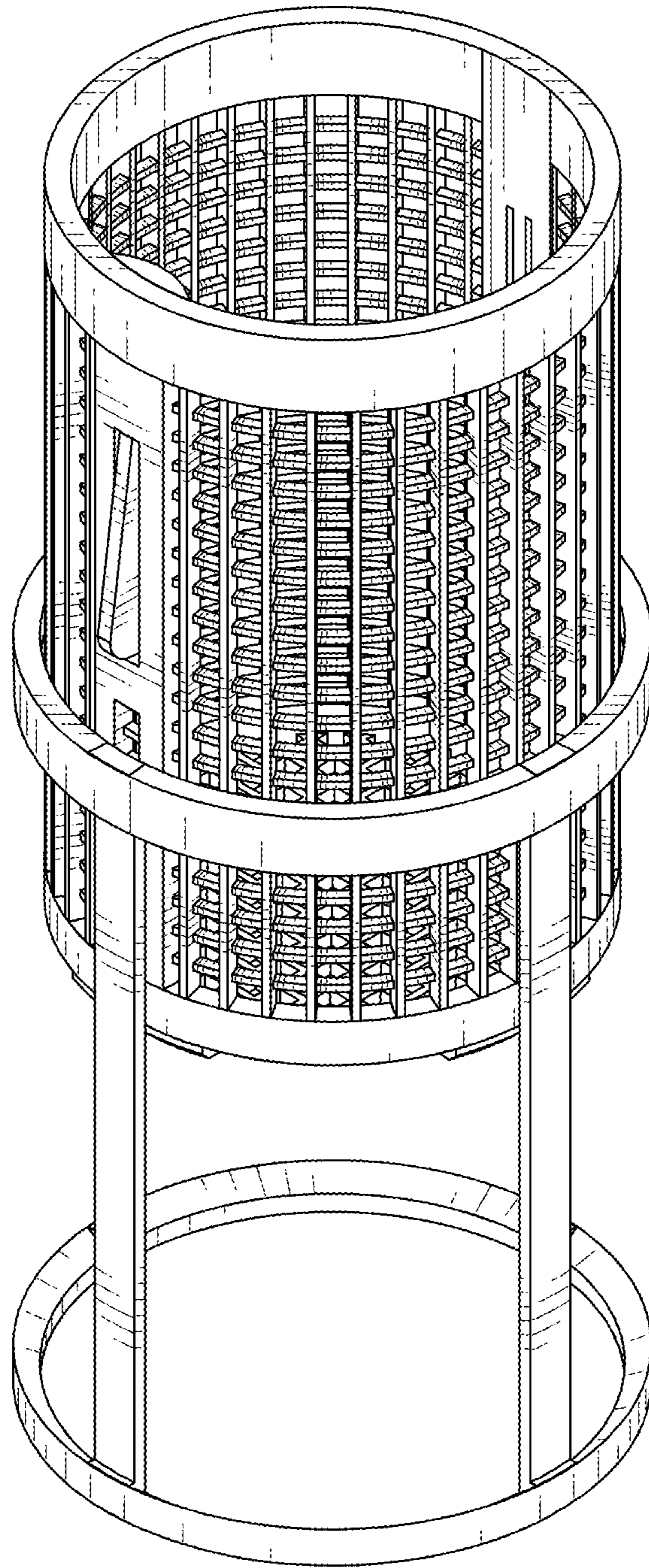


FIG. 1

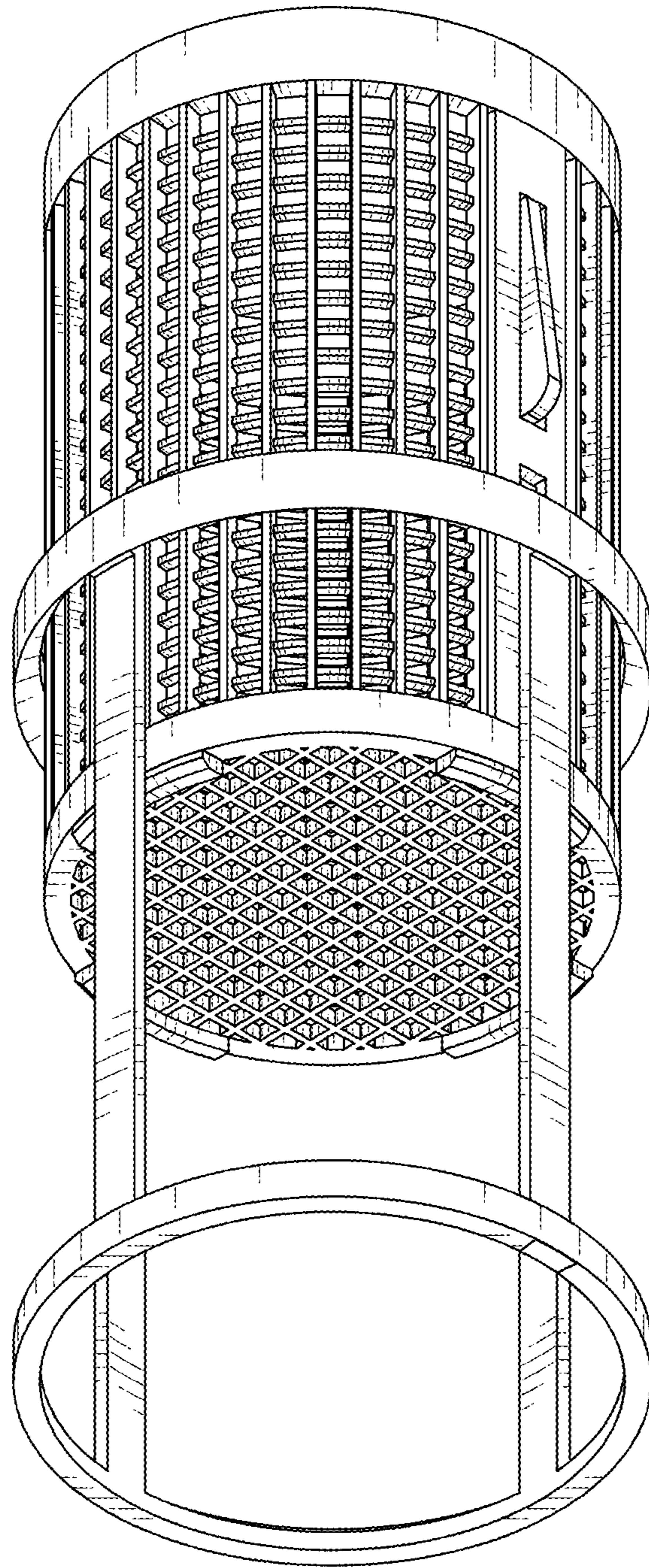


FIG. 2

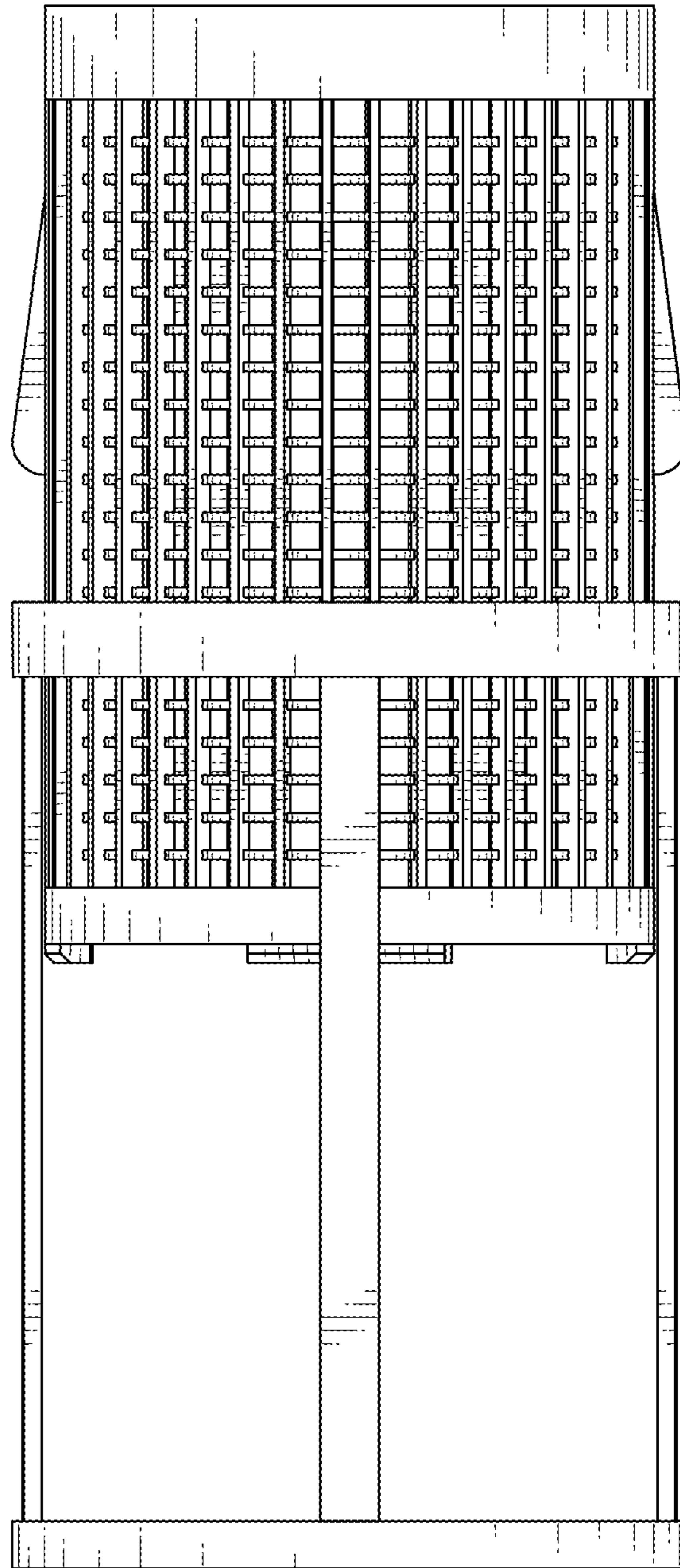


FIG. 3

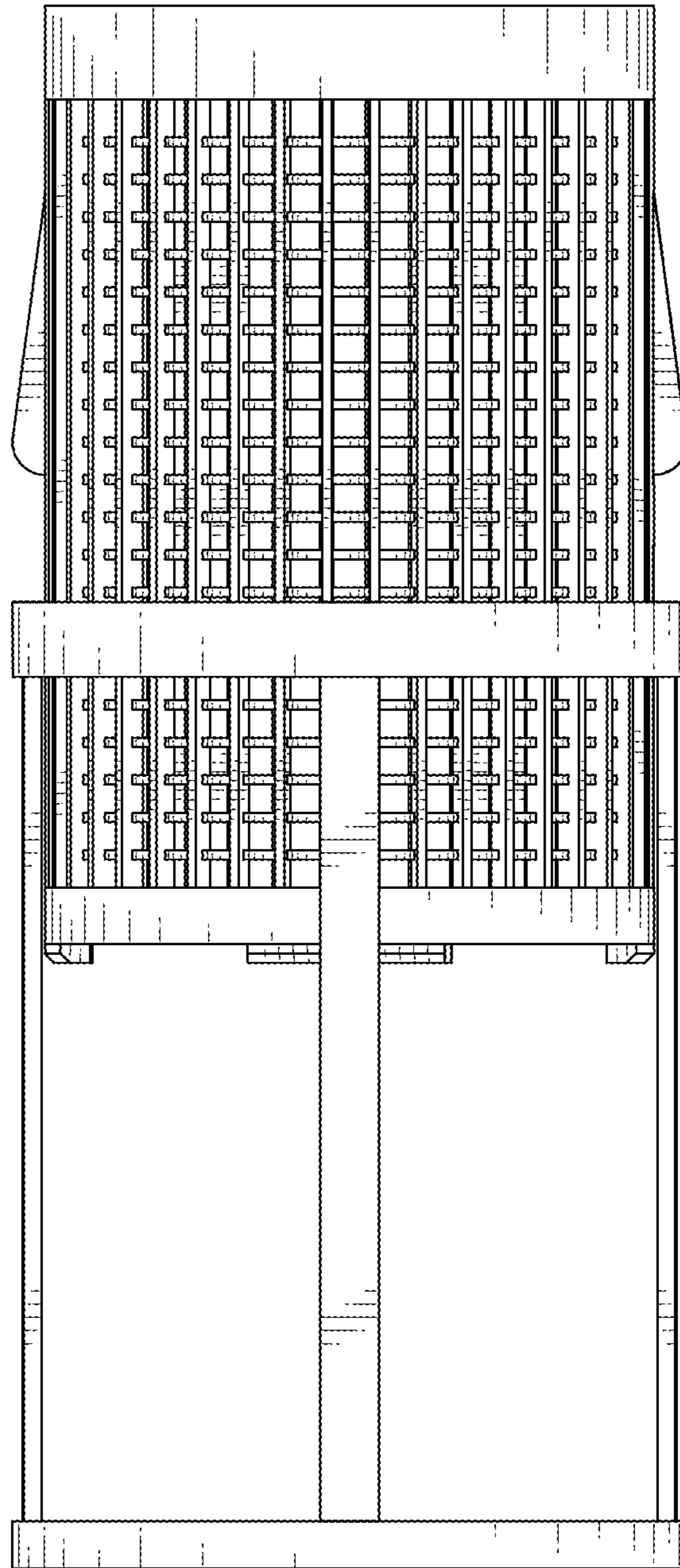


FIG. 4

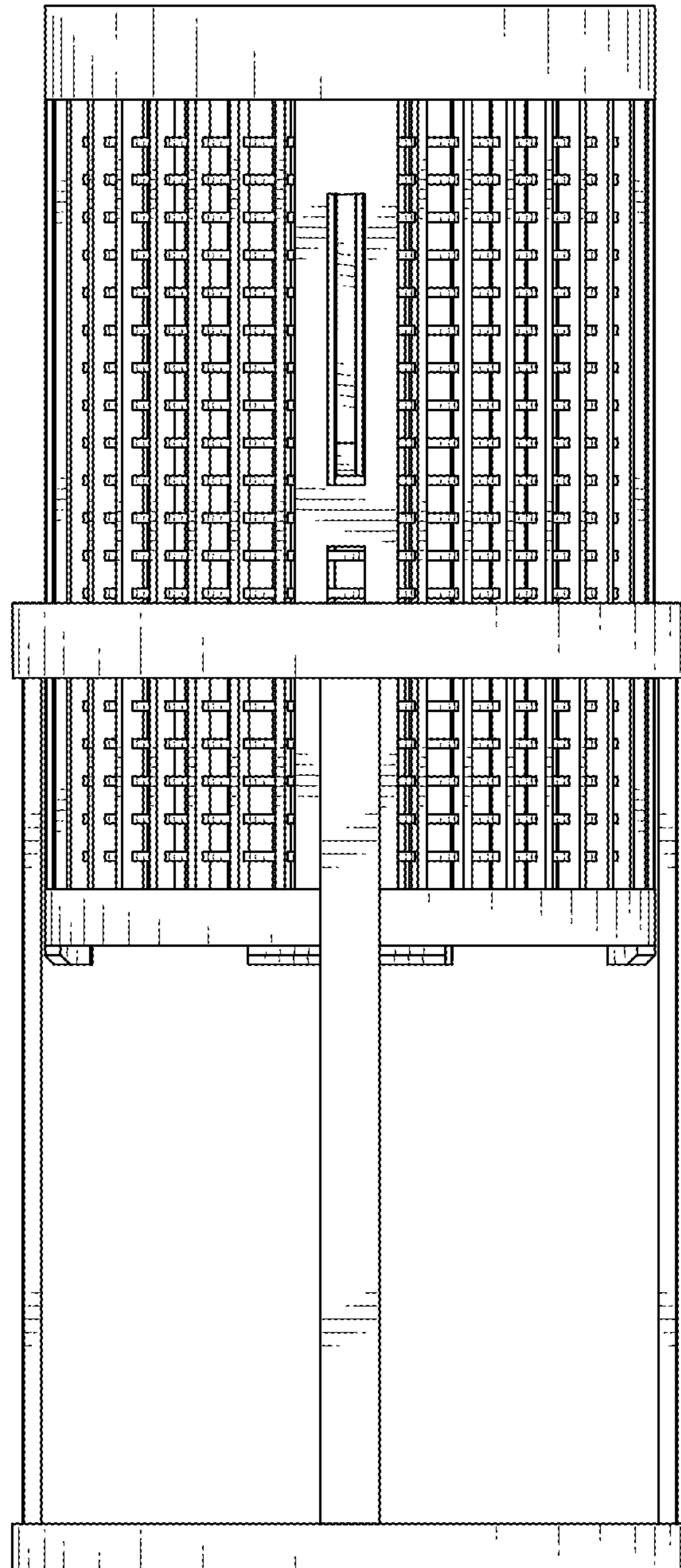


FIG. 5

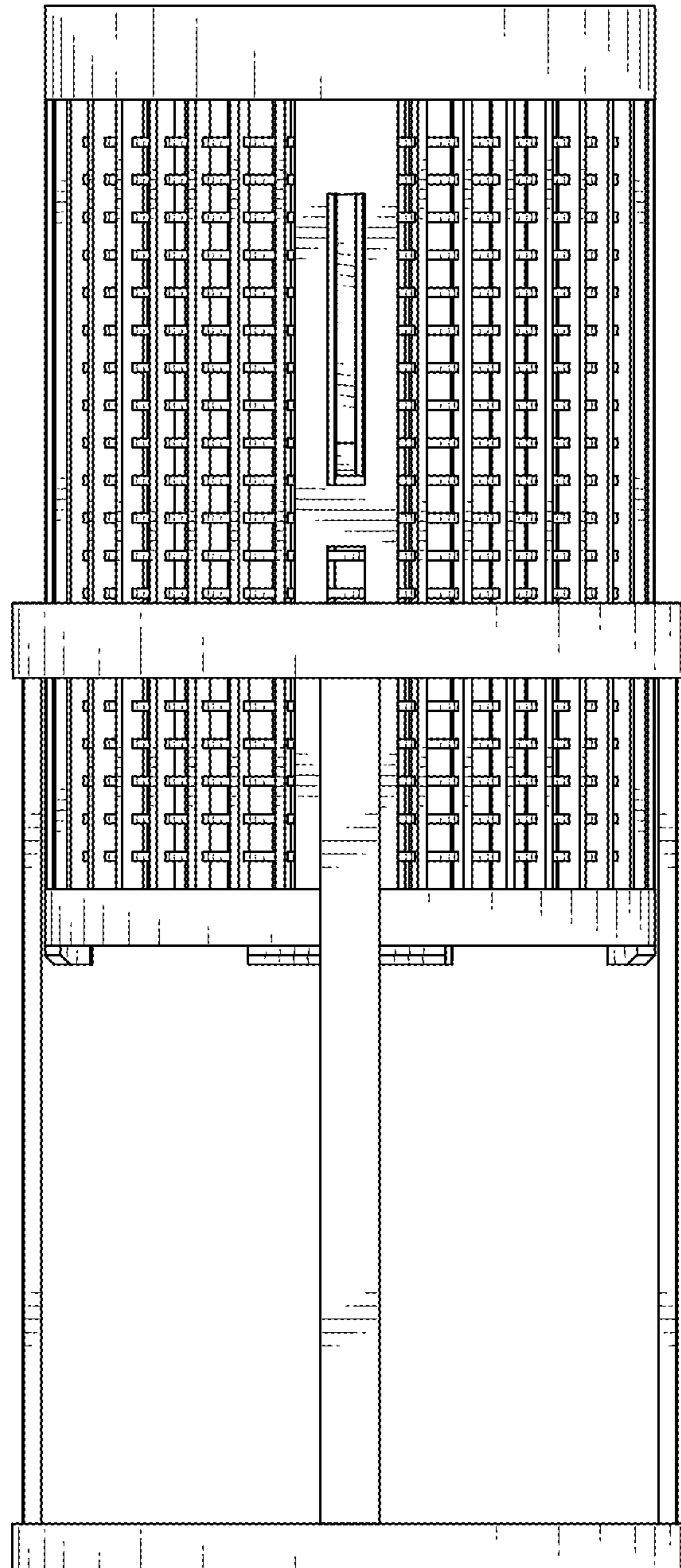


FIG. 6

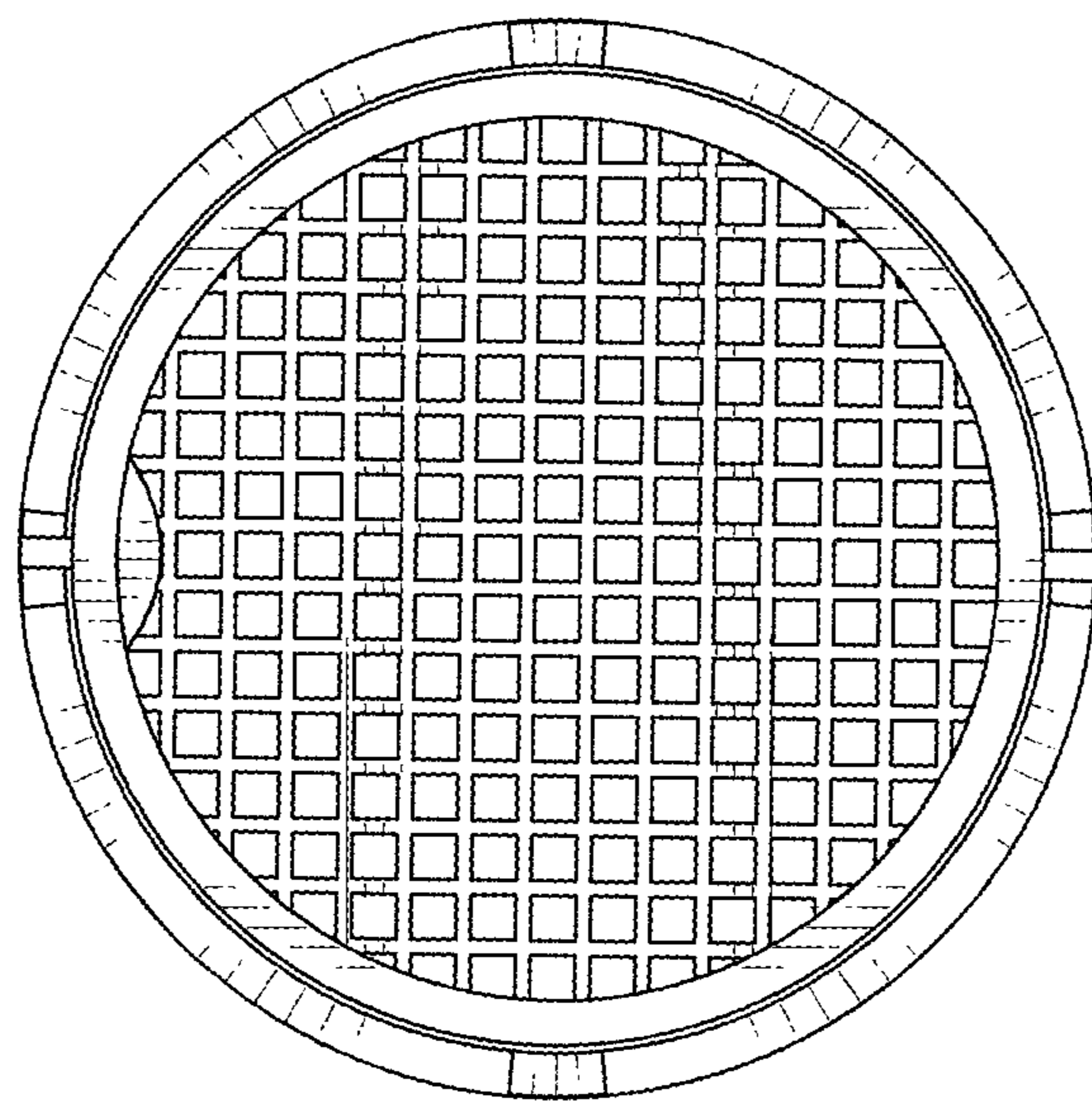


FIG. 7

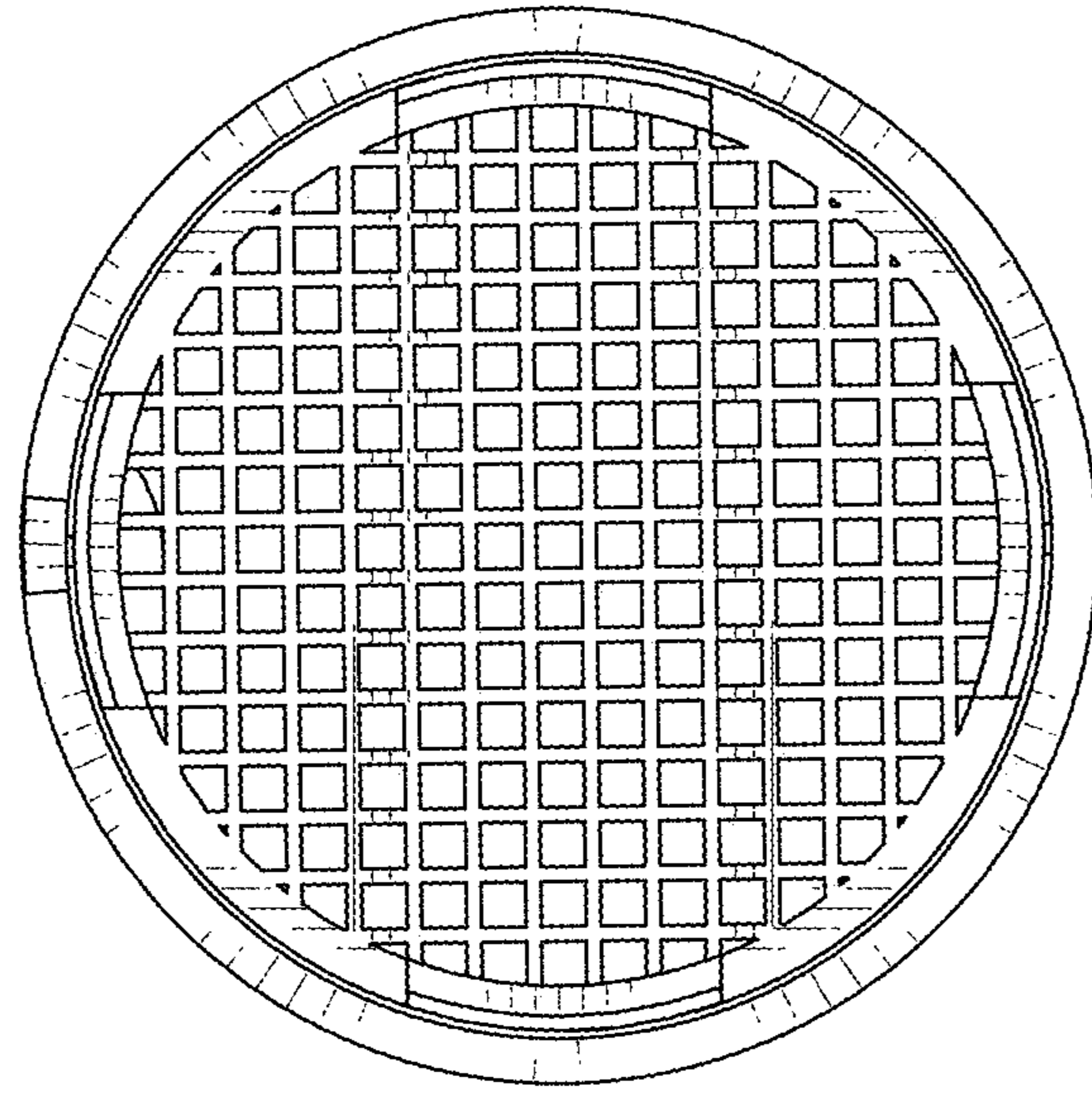


FIG. 8

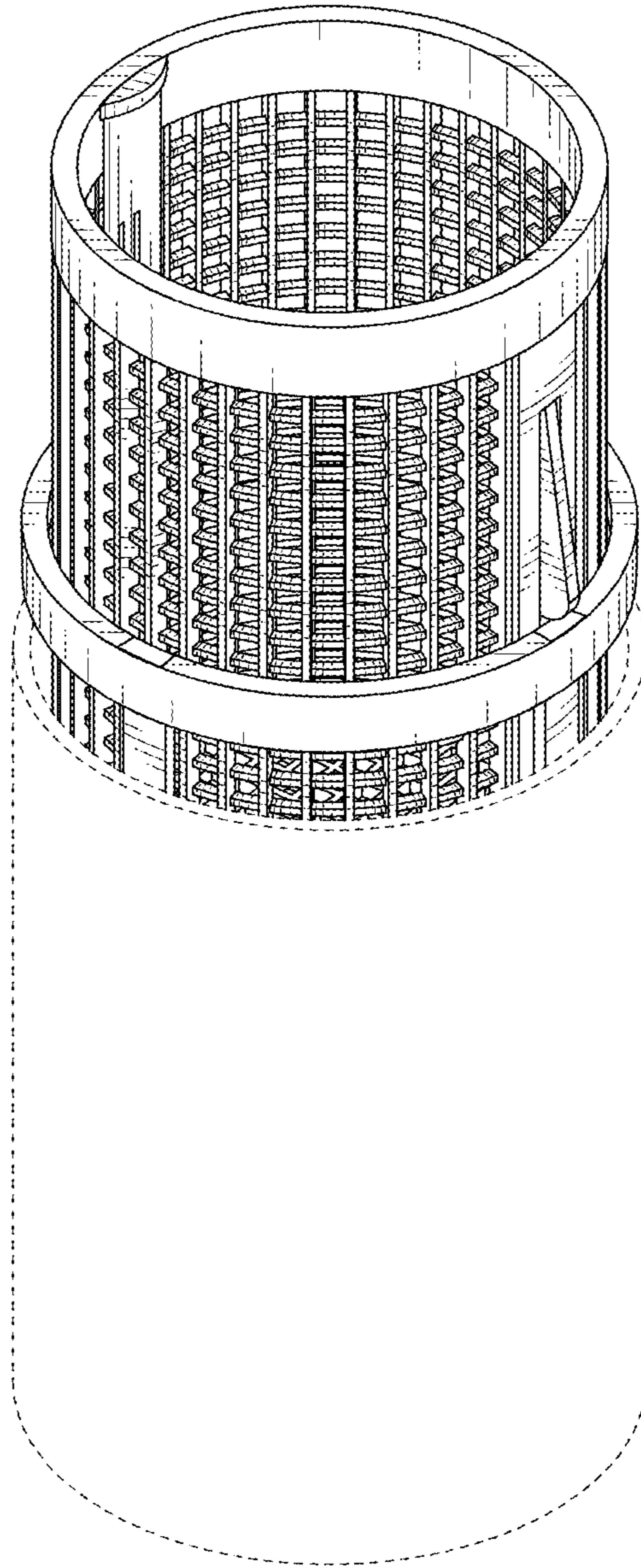


FIG. 9

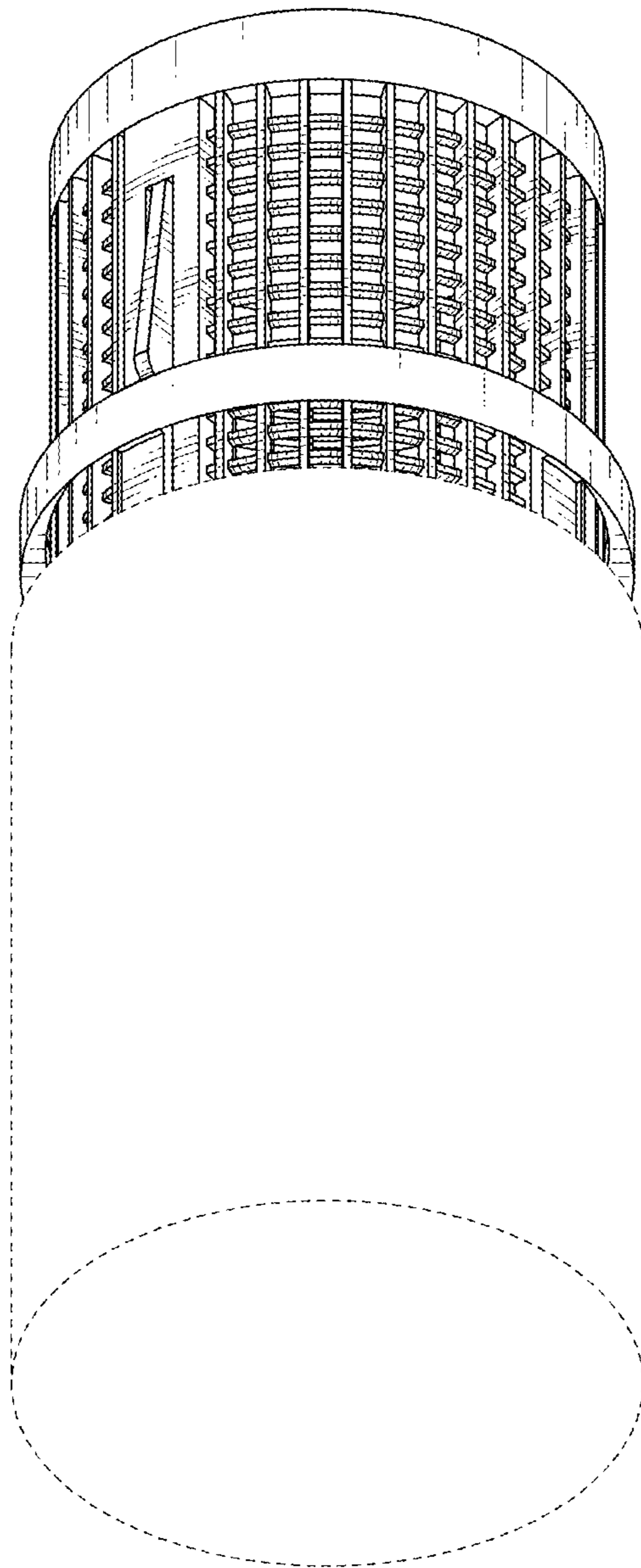


FIG. 10

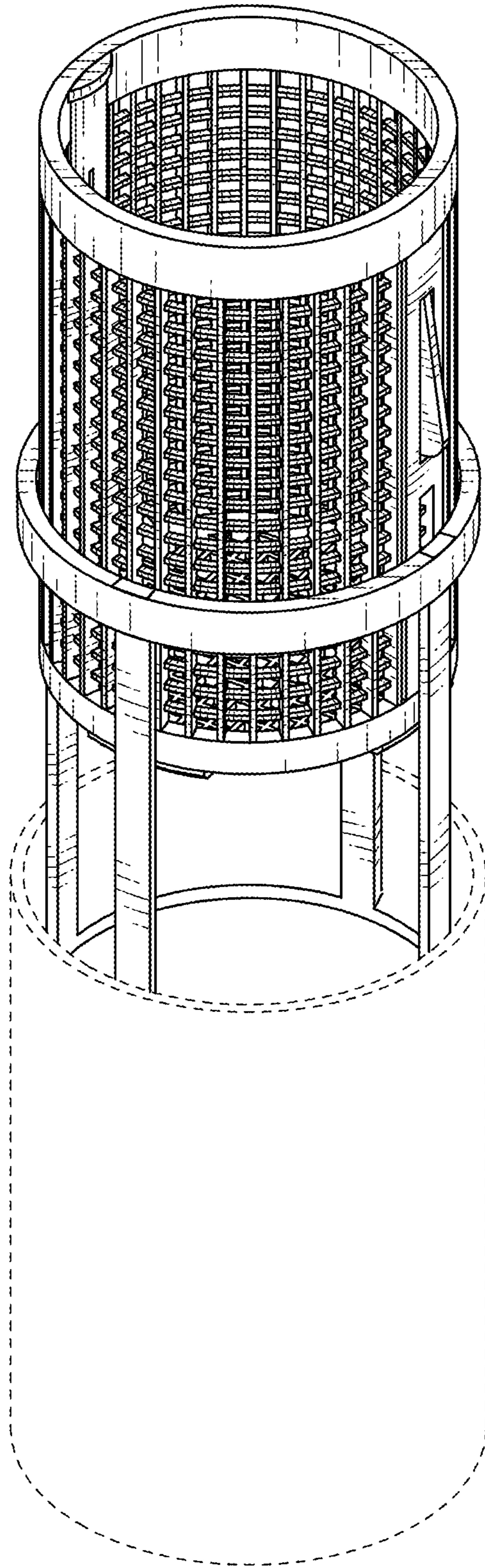


FIG. 11

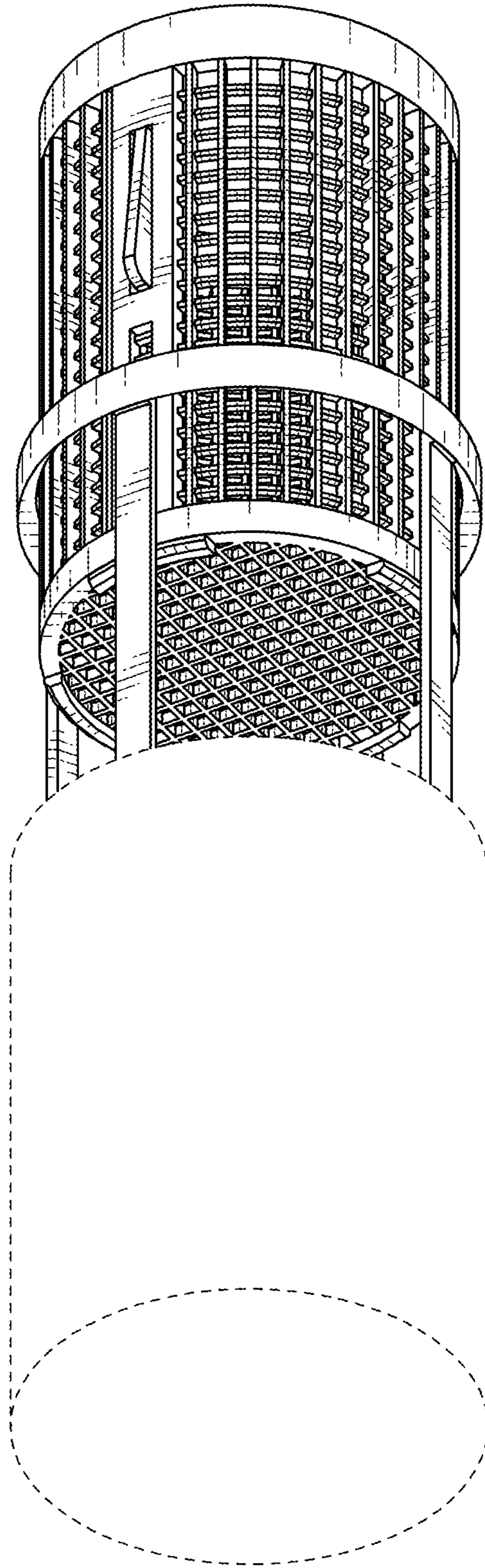


FIG. 12