



US00D982389S

(12) **United States Design Patent** (10) **Patent No.:** **US D982,389 S**
Bass (45) **Date of Patent:** **** Apr. 4, 2023**

(54) **BOTTLE GROMMET**
(71) Applicant: **Kessick, LLC**, Greenville, SC (US)
(72) Inventor: **Robert Bass**, Fountain Inn, SC (US)
(73) Assignee: **Kessick, LLC**, Greenville, SC (US)
(**) Term: **15 Years**
(21) Appl. No.: **29/772,173**
(22) Filed: **Feb. 26, 2021**
(51) **LOC (14) Cl.** **06-04**
(52) **U.S. Cl.**
USPC **D7/619.1**
(58) **Field of Classification Search**
USPC D7/619.1-620, 701-708, 600.1-600.4;
D6/705.1, 705, 705.6
CPC A47B 73/00; A47B 73/002; A47B 73/004;
A47B 73/006; A47B 73/008; A47B
81/04; A47G 23/0208; A47G 23/0241;
A45C 11/20; A47J 47/16; A47F 28/283;
A47F 5/01
See application file for complete search history.

(56) **References Cited**

U.S. PATENT DOCUMENTS

1,263,110 A * 4/1918 Reckers A47F 5/01
211/49.1
D330,147 S * 10/1992 Garber D7/619.1
D453,665 S * 2/2002 Loiacono D7/619.1
D695,987 S * 12/2013 Starr D7/619.1
D765,478 S * 9/2016 Camilotto D7/701
D829,510 S * 10/2018 Harms D7/619.1

OTHER PUBLICATIONS

Amazon.com, Kessick, Wholesale Cabinet Components, Wine Bottle Grommet Soft Silicone Top to Grip Bottle, ASIN: B0992V3KXD, 5 pages, date retrieved from the internet Jan. 25, 2023 (Year: 2021).*

* cited by examiner

Primary Examiner — Terry A Wallace
(74) *Attorney, Agent, or Firm* — Kim and Lahey Law Firm, LLC; Seann P. Lahey

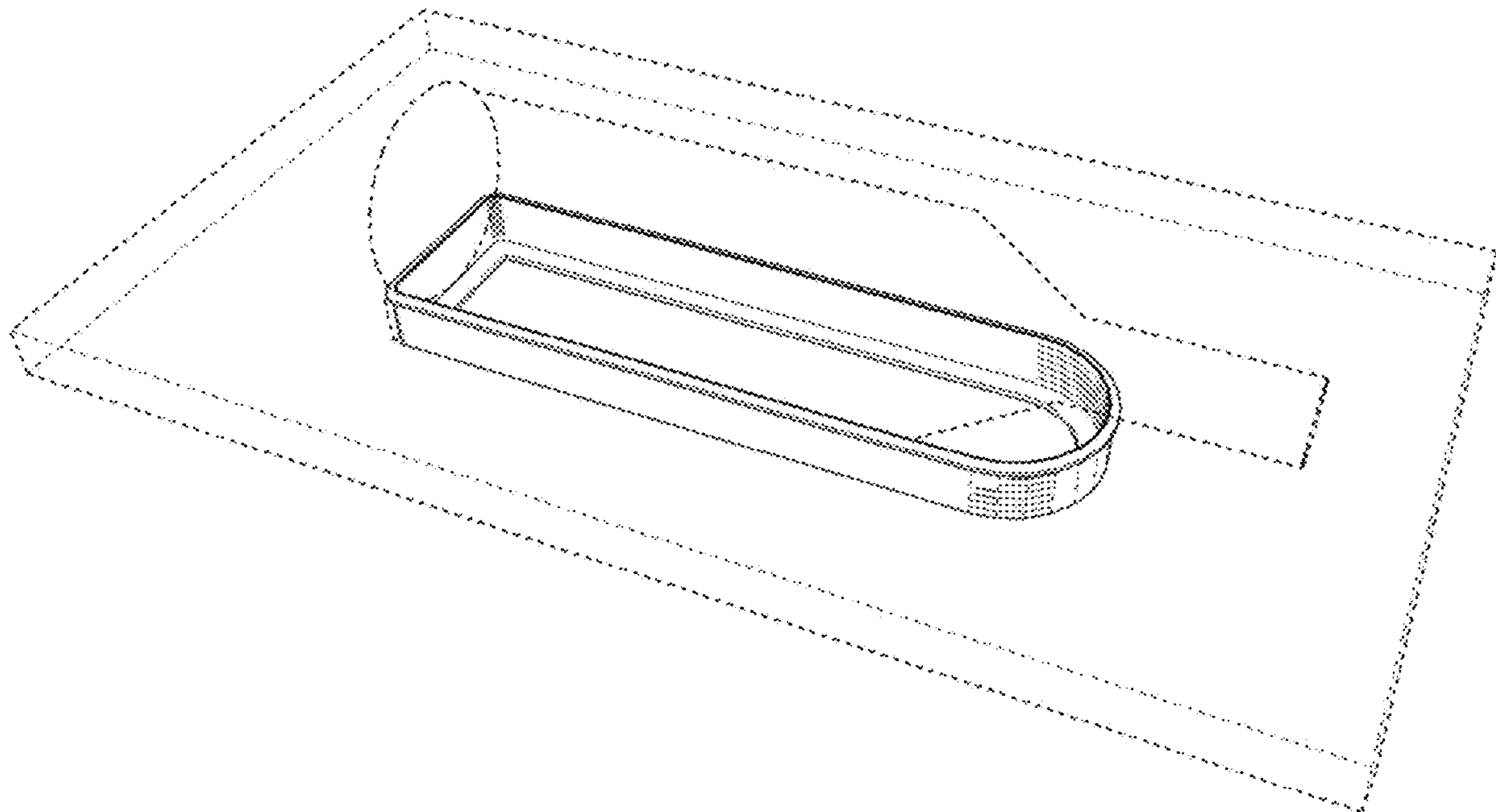
(57) **CLAIM**

The ornamental design for a bottle grommet, as shown and described.

DESCRIPTION

FIG. 1 is a front perspective view of the bottle grommet design mounted in a shelf opening and holding a bottle;
FIG. 2 is a front perspective view of the bottle grommet design;
FIG. 3 is a rear perspective view of the bottle grommet design;
FIG. 4 is a front elevation view of the bottle grommet design;
FIG. 5 is a rear elevation view of the bottle grommet design;
FIG. 6 is a right side elevation view of the bottle grommet design;
FIG. 7 is a left side elevation view of the bottle grommet design;
FIG. 8 is a top plan view of the bottle grommet design;
FIG. 9 is a bottom plan view of the bottle grommet design;
and,
FIG. 10 is a bottom perspective view of the bottle grommet design.
The broken lines in the drawings depicting a shelf and bottle form no part of the claimed design.

1 Claim, 7 Drawing Sheets



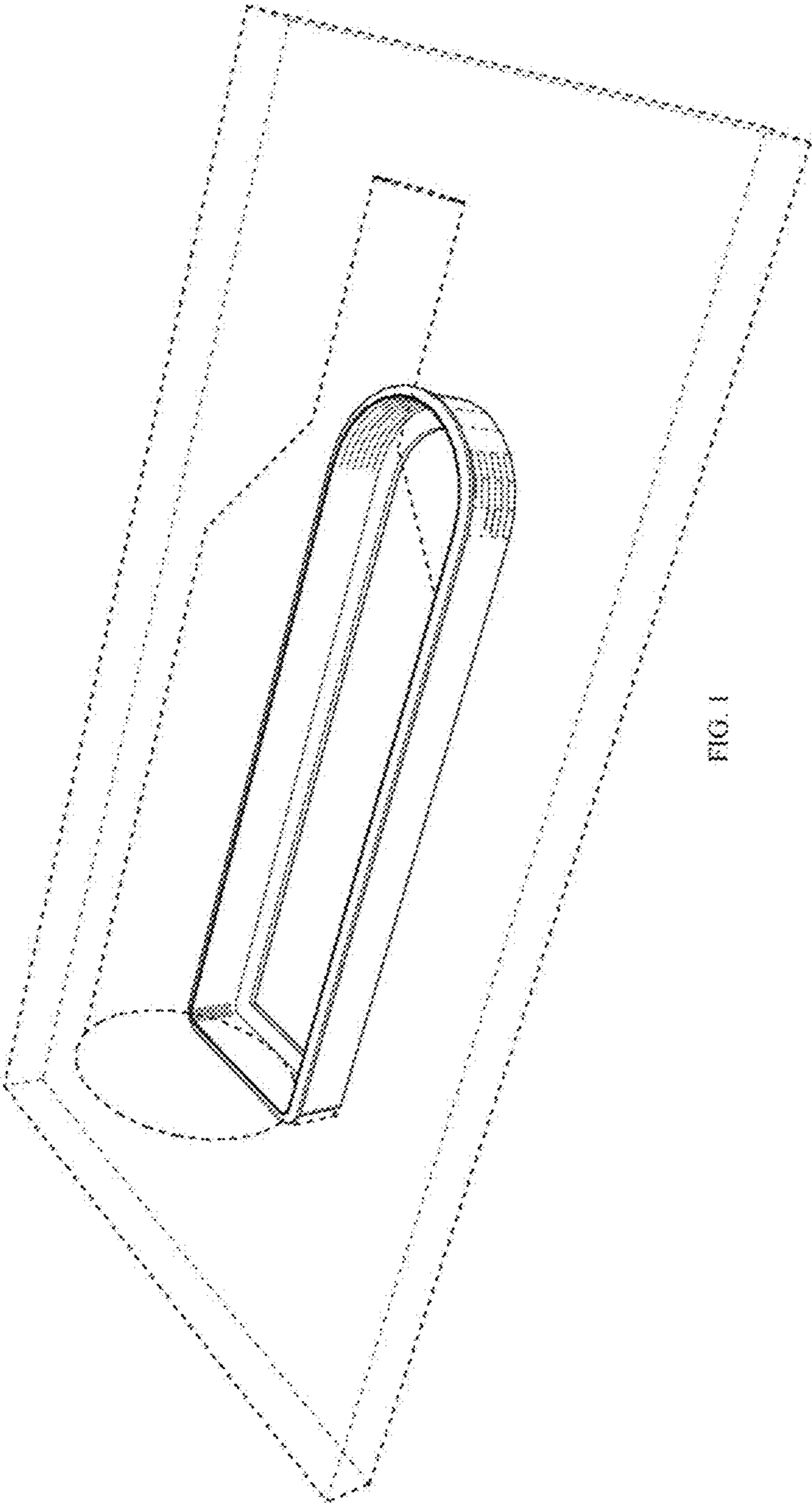


FIG. 1

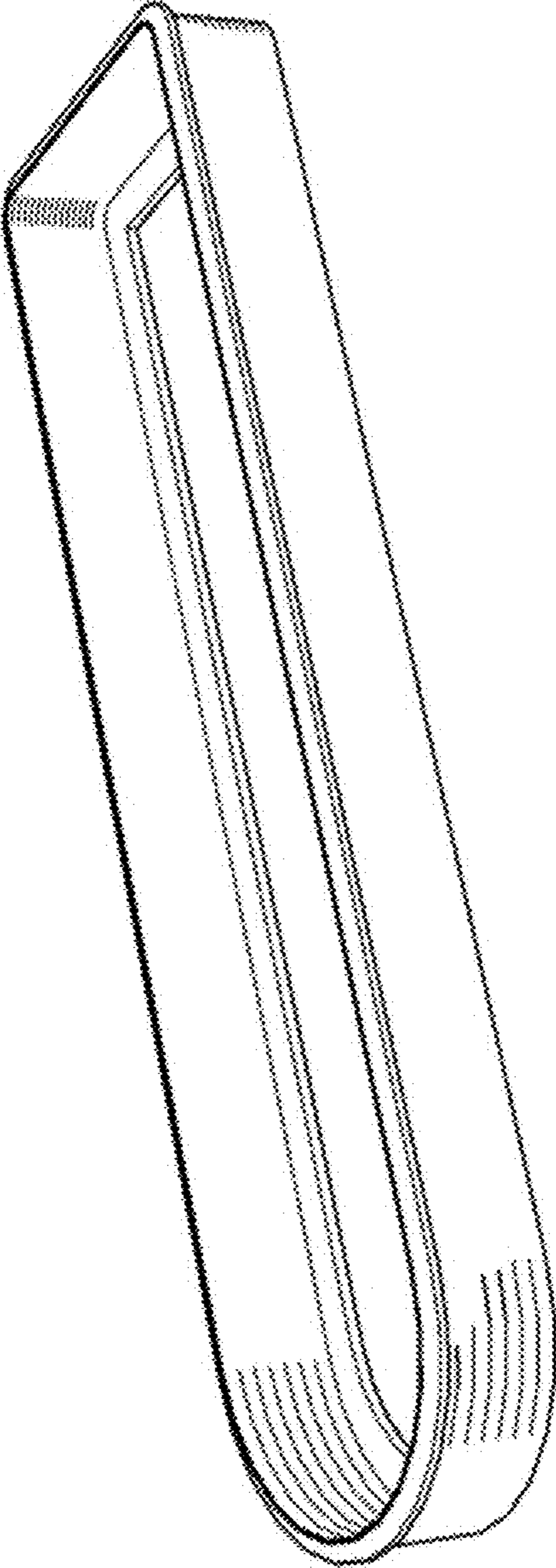


FIG. 2

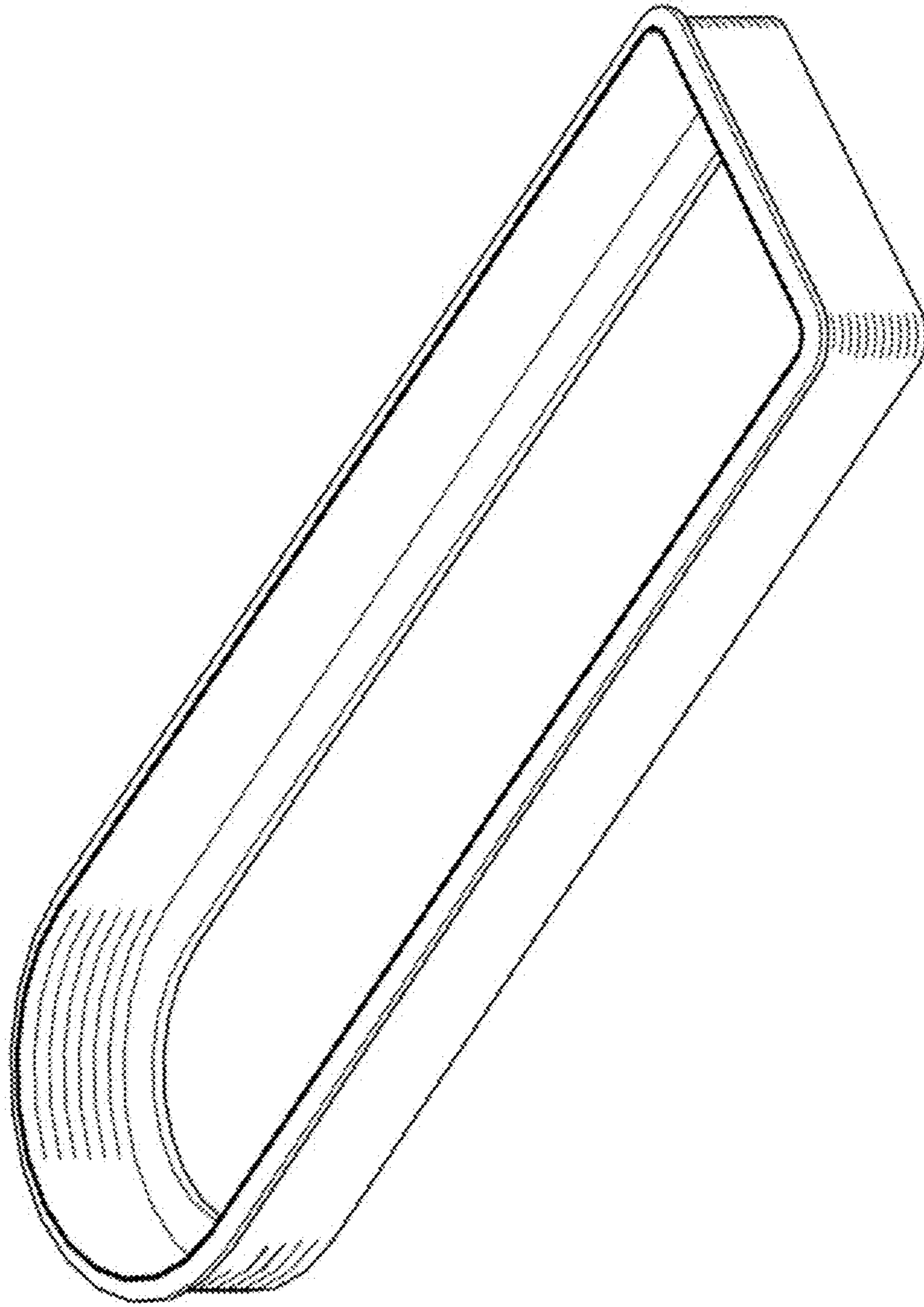


FIG. 3



FIG. 4

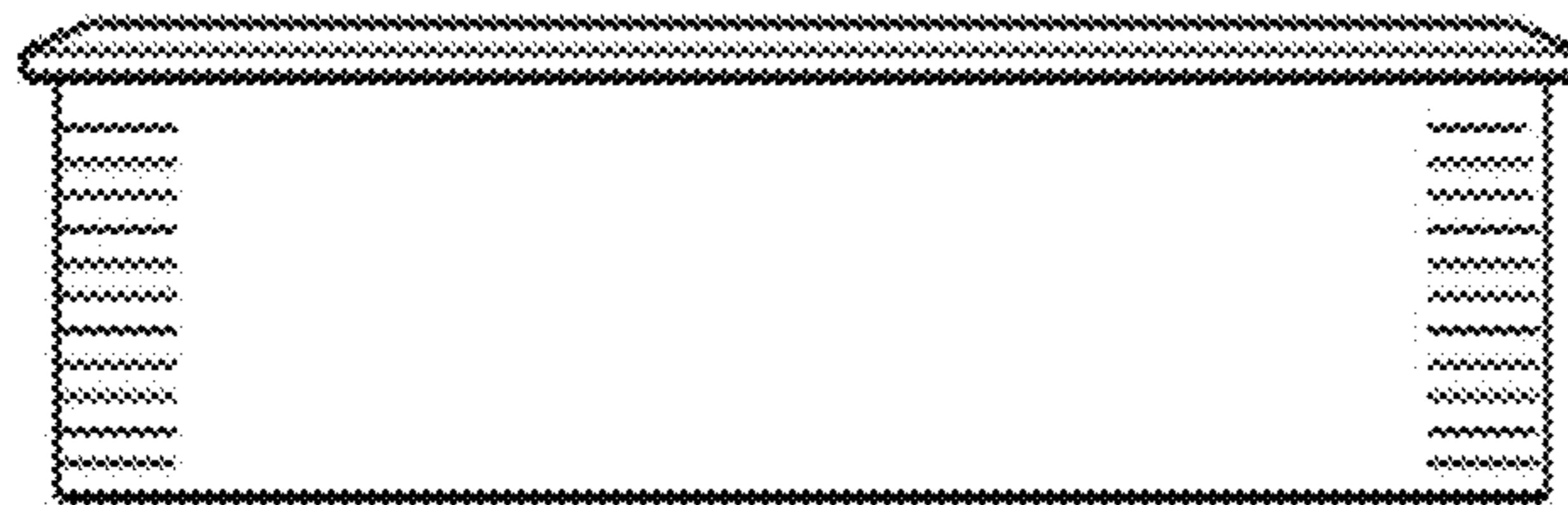


FIG. 5

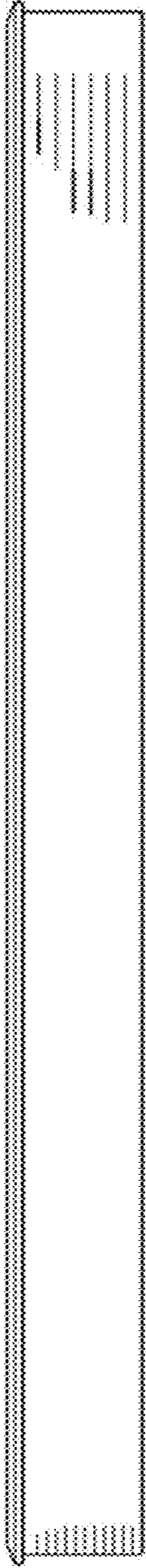


FIG. 6

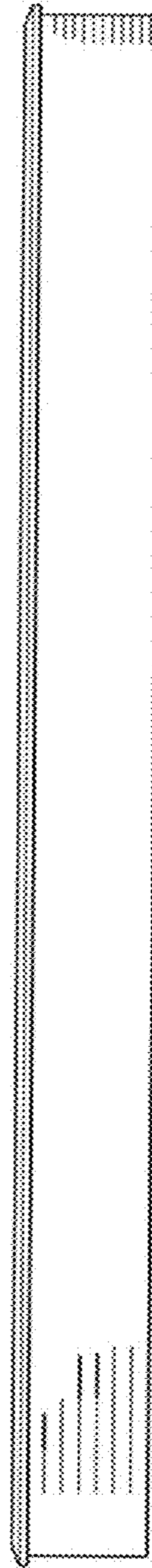


FIG. 7

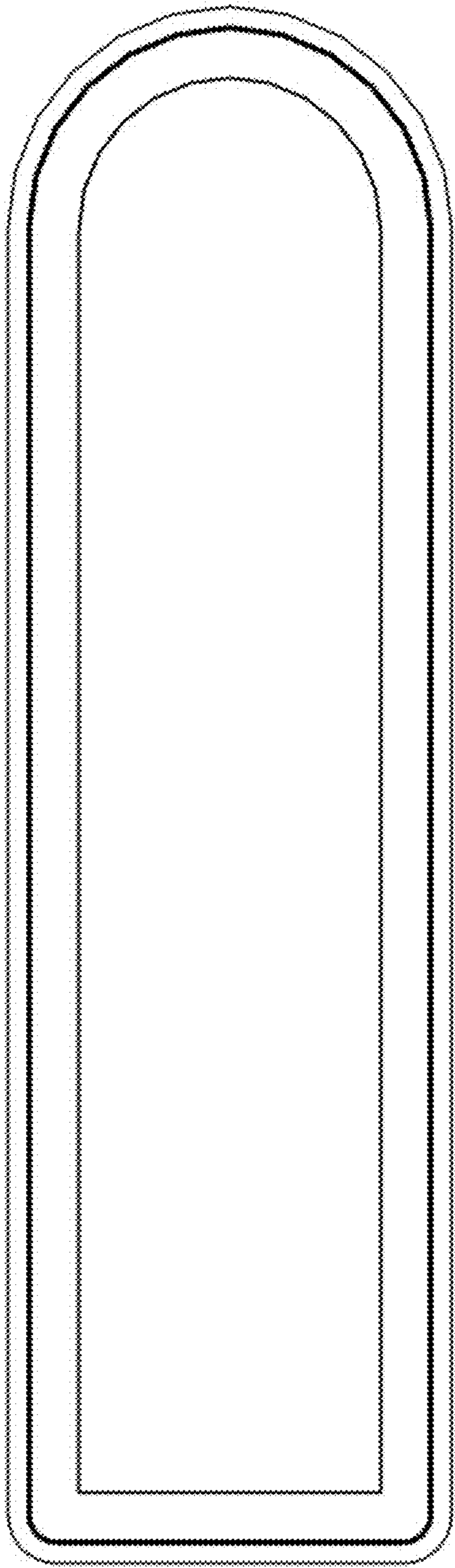


FIG. 8

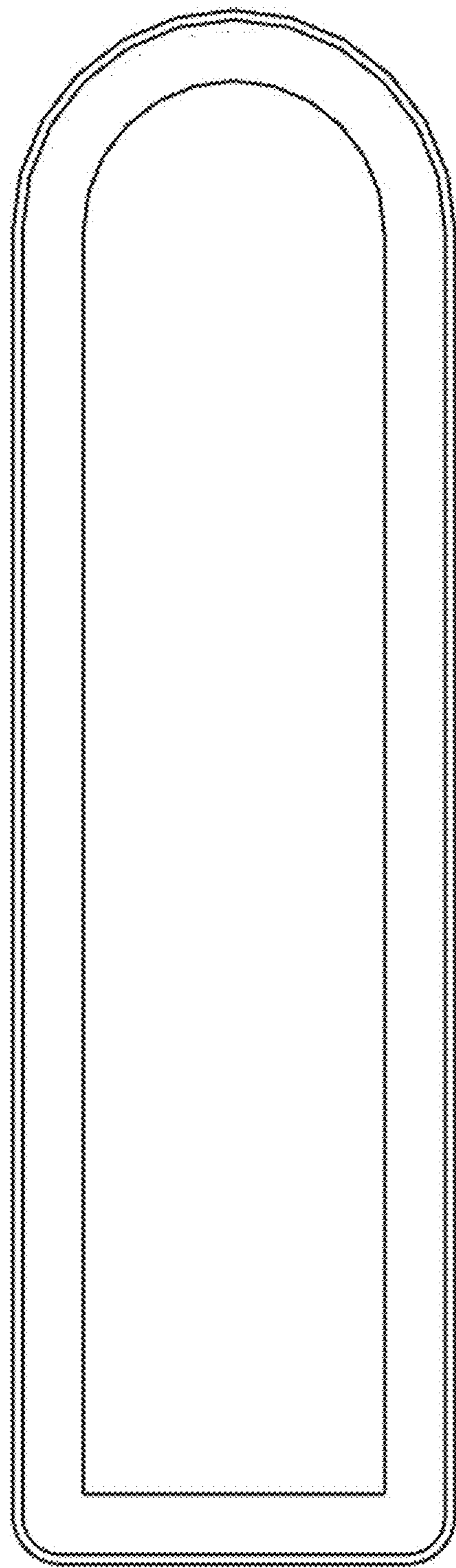


FIG. 9

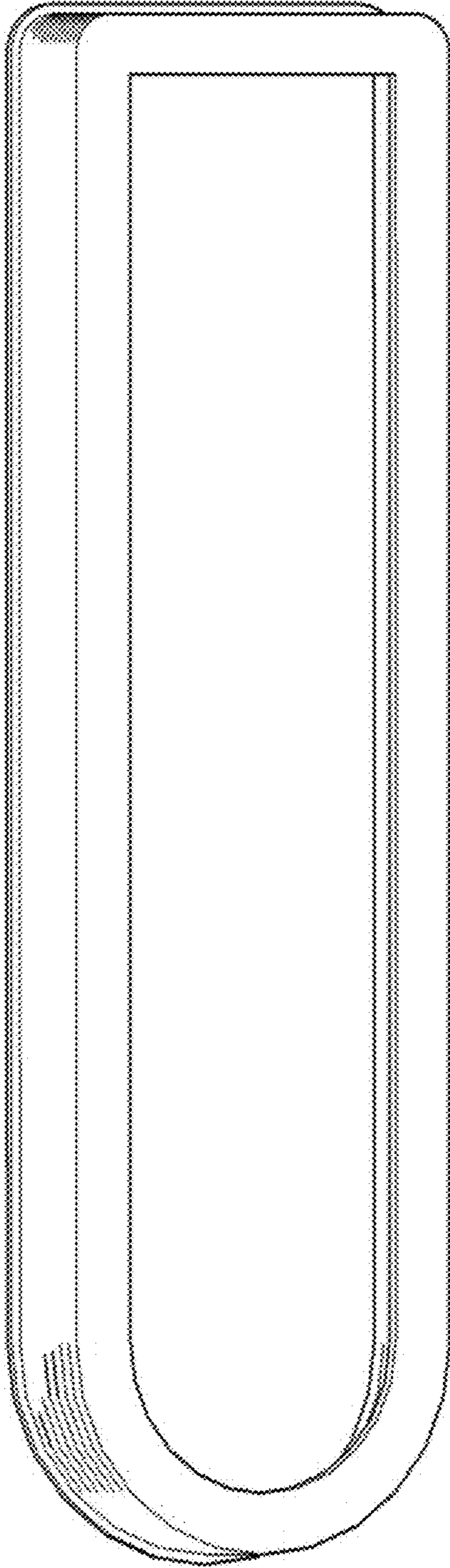


FIG. 10