



US00D982388S

(12) **United States Design Patent** (10) **Patent No.:** **US D982,388 S**  
**Fellner et al.** (45) **Date of Patent:** **\*\* Apr. 4, 2023**

(54) **UNITARY FOOD CONTAINER WITH  
CONDIMENT TRAY**

(71) Applicant: **SCTRAY COMPANY**, Chattanooga,  
TN (US)

(72) Inventors: **Kelly A Fellner**, Lancaster, NY (US);  
**Bill Jones**, Chattanooga, TN (US);  
**Neha Mardi**, Chattanooga, TN (US);  
**David Chapman**, Chattanooga, TN  
(US)

(\*\*) Term: **15 Years**

(21) Appl. No.: **29/842,261**

(22) Filed: **Jun. 10, 2022**

(51) **LOC (14) Cl.** ..... **07-09**

(52) **U.S. Cl.**  
USPC ..... **D7/602; D9/431**

(58) **Field of Classification Search**  
USPC ..... D7/601-602; D9/430-433, 761; D3/300,  
D3/303; D1/102, 105  
CPC ..... B31B 50/00; B31B 50/0044; B65D 5/725  
See application file for complete search history.

(56) **References Cited**

**U.S. PATENT DOCUMENTS**

- 3,630,430 A \* 12/1971 Struble ..... B65D 5/18  
229/164
- 3,877,632 A \* 4/1975 Steel ..... B65D 5/3685  
229/117.06
- 4,267,955 A \* 5/1981 Struble ..... B65D 5/18  
229/940
- 4,491,220 A 1/1985 Daviss
- 4,714,190 A \* 12/1987 Morrocco ..... B65D 81/3851  
229/404
- D306,975 S 4/1990 Brondyke et al.
- 4,915,235 A \* 4/1990 Roosa ..... A47G 21/001  
229/137
- D314,887 S \* 2/1991 Tomaras ..... D7/601
- 5,417,364 A 5/1995 Shaw

- D370,412 S 6/1996 Rohrer
- 5,540,333 A 7/1996 Gonzalez et al.
- D373,081 S \* 8/1996 Bridger ..... D9/761
- 5,626,283 A 5/1997 Mellon
- 5,630,544 A 5/1997 Shane
- 5,697,549 A \* 12/1997 Yocum ..... B65D 5/4229  
229/906

5,720,429 A 2/1998 Cordle  
(Continued)

**FOREIGN PATENT DOCUMENTS**

- CN 302948220 \* 9/2014
- CN 306727281 \* 8/2021

(Continued)

**OTHER PUBLICATIONS**

French Fry Scoop—Large 0706, SC Tray, sctray.com, published by  
SC Tray, date unlisted © 2022 Southern Champion Tray, online, site  
visited Sep. 3, 2022. Available at URL: [https://www.sctray.com/  
catalog/product/0706](https://www.sctray.com/catalog/product/0706) (Year: 2022).\*

(Continued)

*Primary Examiner* — Sandra Snapp  
*Assistant Examiner* — Altaira J Swangin

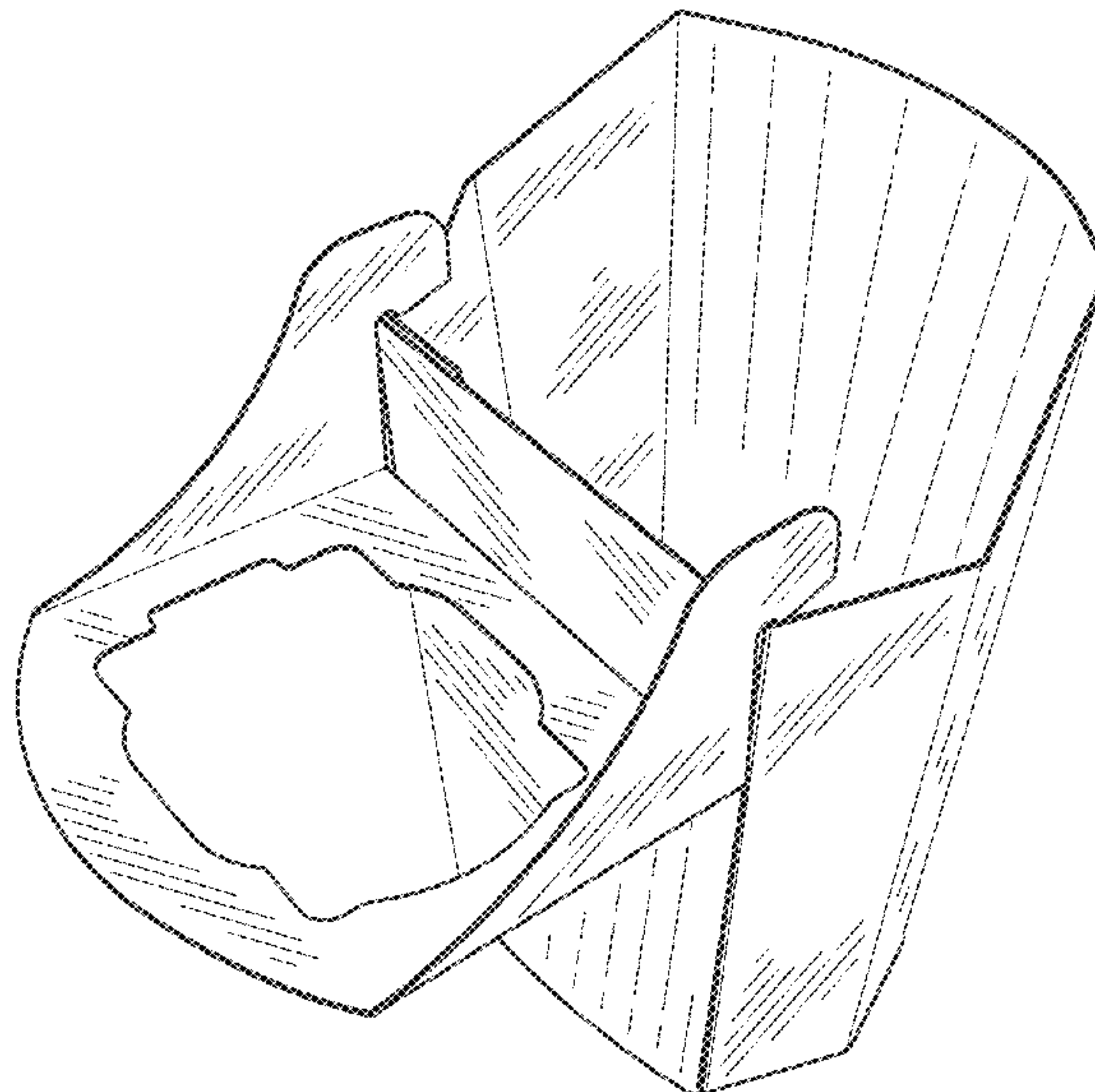
(57) **CLAIM**

The ornamental design for a unitary food container with  
condiment tray, as shown.

**DESCRIPTION**

FIG. 1 is a perspective view of a unitary food container with  
condiment tray showing our design;  
FIG. 2 is a right side elevational view thereof;  
FIG. 3 is a left side elevational view thereof;  
FIG. 4 is a front elevational view thereof;  
FIG. 5 is a rear elevational view thereof;  
FIG. 6 is a top plan view thereof; and,  
FIG. 7 is a bottom plan view thereof.

**1 Claim, 7 Drawing Sheets**



(56)

References Cited

U.S. PATENT DOCUMENTS

5,799,794 A 9/1998 Whitnell  
 5,842,631 A 12/1998 Berger  
 5,875,957 A 3/1999 Yocum  
 6,027,018 A \* 2/2000 Yocum ..... B65D 5/4229  
 229/906  
 6,050,482 A \* 4/2000 Cai ..... B65D 5/3685  
 229/104  
 6,068,181 A \* 5/2000 Cai ..... B65D 33/004  
 229/906  
 D430,795 S \* 9/2000 Stier ..... D9/414  
 6,152,362 A 11/2000 Rosenfeld  
 6,176,420 B1 \* 1/2001 Sarson ..... B65D 3/20  
 229/404  
 6,216,946 B1 4/2001 Cai  
 D449,979 S \* 11/2001 Planchard ..... D9/703  
 6,349,874 B1 \* 2/2002 Hill ..... B65D 5/48002  
 229/405  
 6,360,944 B1 3/2002 Gorman  
 6,386,443 B1 5/2002 Szczerbinski  
 6,471,119 B2 10/2002 Cai  
 D469,691 S 2/2003 Brondyke et al.  
 6,561,414 B1 \* 5/2003 Cai ..... B65D 5/18  
 229/4.5  
 D482,614 S \* 11/2003 Countee, Jr. .... D9/705  
 D502,364 S \* 3/2005 Chan ..... D7/509  
 D510,520 S \* 10/2005 Butler ..... D9/761  
 D527,585 S \* 9/2006 Welsh ..... D7/619.1  
 7,140,532 B2 11/2006 Holt et al.  
 7,273,162 B2 9/2007 Baker  
 D611,341 S \* 3/2010 Belce ..... D9/431  
 D617,185 S \* 6/2010 Wager ..... D9/431  
 D636,664 S \* 4/2011 Neufeldt ..... D9/431  
 D657,950 S \* 4/2012 Herman ..... D3/202  
 D661,161 S \* 6/2012 Craft ..... D7/586  
 D672,202 S \* 12/2012 Craft ..... D7/586  
 D688,939 S \* 9/2013 Pearson ..... D9/431  
 D693,677 S \* 11/2013 Pearson ..... D9/431  
 8,584,884 B2 \* 11/2013 Learn ..... B65D 5/5286  
 229/404  
 8,955,738 B2 \* 2/2015 Cai ..... B65D 5/18  
 229/404  
 9,499,296 B2 11/2016 Mills et al.  
 9,676,510 B2 6/2017 Learn  
 D837,610 S 1/2019 Maguire  
 D874,876 S \* 2/2020 Finell ..... D7/602  
 10,589,892 B2 \* 3/2020 Van Dijk ..... B65D 5/4295  
 D899,196 S 10/2020 Moujaes et al.  
 D899,246 S \* 10/2020 Holley, Jr. .... D9/433  
 11,198,536 B2 \* 12/2021 Lombard ..... B65D 5/2023  
 D960,653 S \* 8/2022 Moujaes ..... D7/601  
 11,427,377 B2 \* 8/2022 Mardi ..... B65D 5/2038

11,440,697 B2 \* 9/2022 Holley, Jr. .... B65D 5/18  
 2001/0030227 A1 10/2001 Fear et al.  
 2002/0056743 A1 \* 5/2002 Barcat ..... B65D 25/20  
 229/120.01  
 2002/0084319 A1 \* 7/2002 Yocum ..... B65D 5/3685  
 229/405  
 2005/0184136 A1 \* 8/2005 Baynum ..... B65D 3/14  
 229/101  
 2006/0016863 A1 \* 1/2006 Holt ..... B65D 81/3205  
 229/120.13  
 2006/0022024 A1 2/2006 Krinsky et al.  
 2006/0180644 A1 \* 8/2006 Baker ..... B65D 5/18  
 229/120.18  
 2007/0003171 A1 1/2007 Boosalis  
 2007/0131745 A1 \* 6/2007 Fitzwater ..... B65D 81/3446  
 229/125.02  
 2008/0093433 A1 4/2008 Haroutiounian  
 2009/0152283 A1 6/2009 Pegram et al.  
 2010/0102110 A1 \* 4/2010 Learn ..... B65D 5/42  
 493/162  
 2012/0292382 A1 \* 11/2012 Cai ..... B65D 5/6685  
 229/404  
 2015/0028088 A1 \* 1/2015 Mills ..... B65D 5/6697  
 493/162  
 2015/0367980 A1 \* 12/2015 Learn ..... B65D 5/48014  
 229/141  
 2022/0177186 A1 \* 6/2022 Stathis ..... A47F 5/08

FOREIGN PATENT DOCUMENTS

EP 006370003-0002 \* 5/2019  
 JP D1531183 \* 7/2015  
 KR 3020120001396 \* 11/2012

OTHER PUBLICATIONS

French Fry Cup Holder, FKUMLUN, amazon.com, published by FKUMLUN, first available on Jun. 10, 2021 © 1996-2022 Amazon, online, site visited Sep. 3, 2022. Available at URL: <https://www.amazon.com/French-Holder-Beverage-Holders-Perfect/dp/B096ZV4LVW> (Year: 2021).\*

French Fry Holder, Mighty Mojo, amazon.com, published by Mighty Mojo, first available on Jun. 17, 2021 © 1996-2022 Amazon, online, site visited Sep. 3, 2022. Available at URL: <https://www.amazon.com/Vent-Door-Caddy-Sauce-Combo/dp/B097DX3G42?th=1> (Year: 2021).\*

French Fry Container FP-006, Printn Packs, printnpacks.com, published by Printn Packs on Jun. 19, 2021 per wayback machine © 2022 Printn Packs, online, site visited Sep. 3, 2022. Available at URL: <https://printnpacks.com/french-fries-boxes/> (Year: 2021).\*

\* cited by examiner



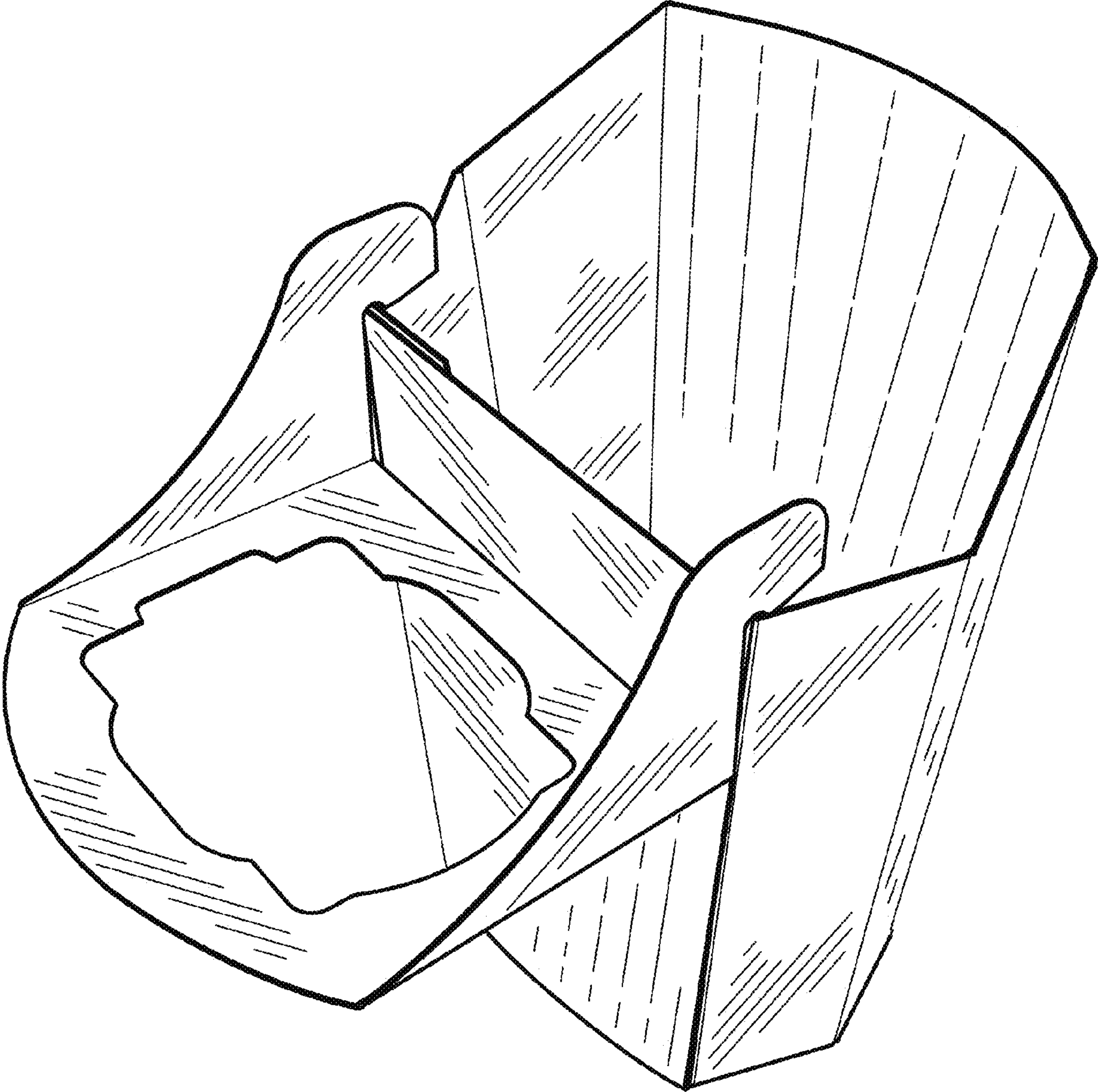


FIG. 1

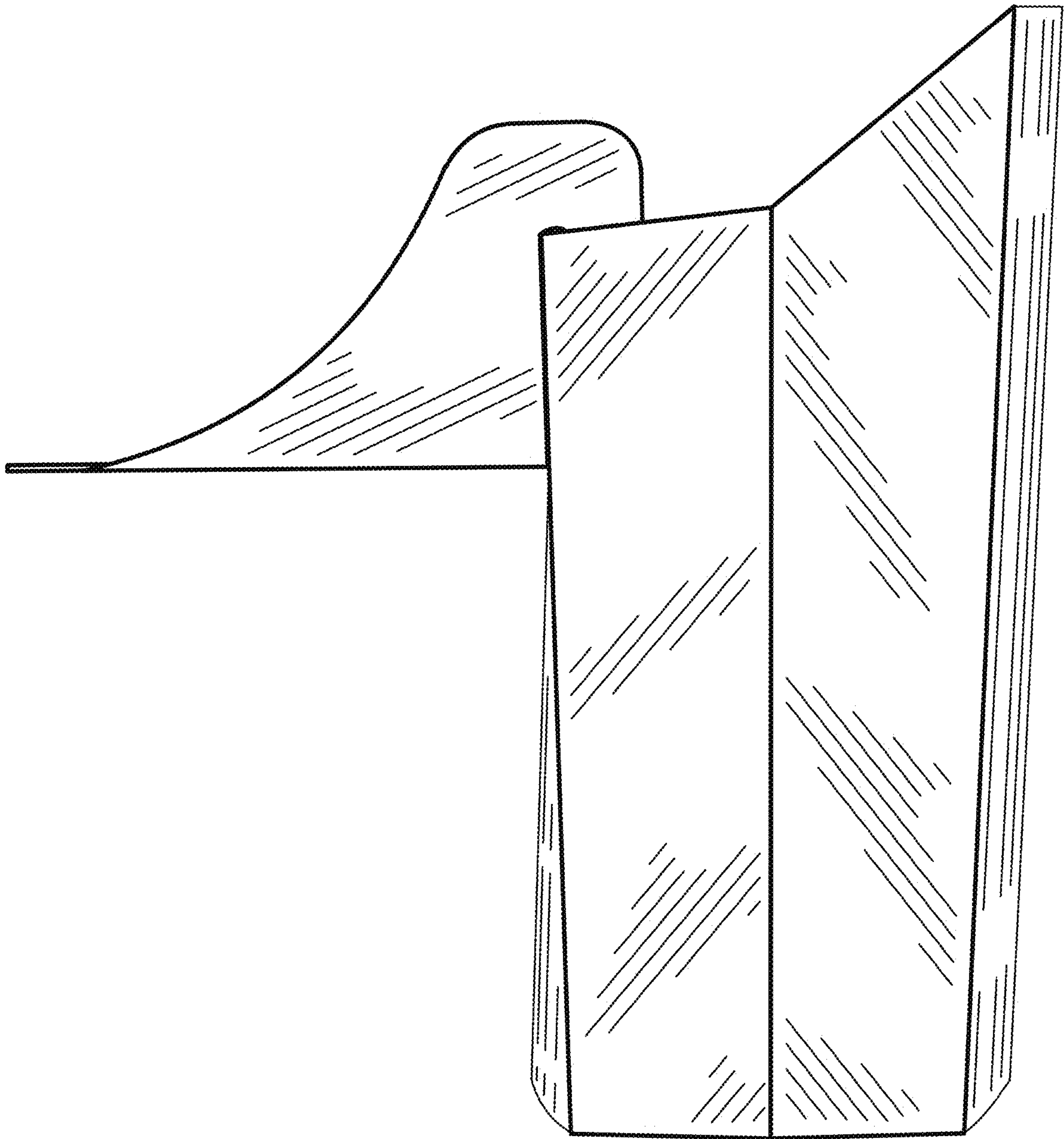


FIG. 2

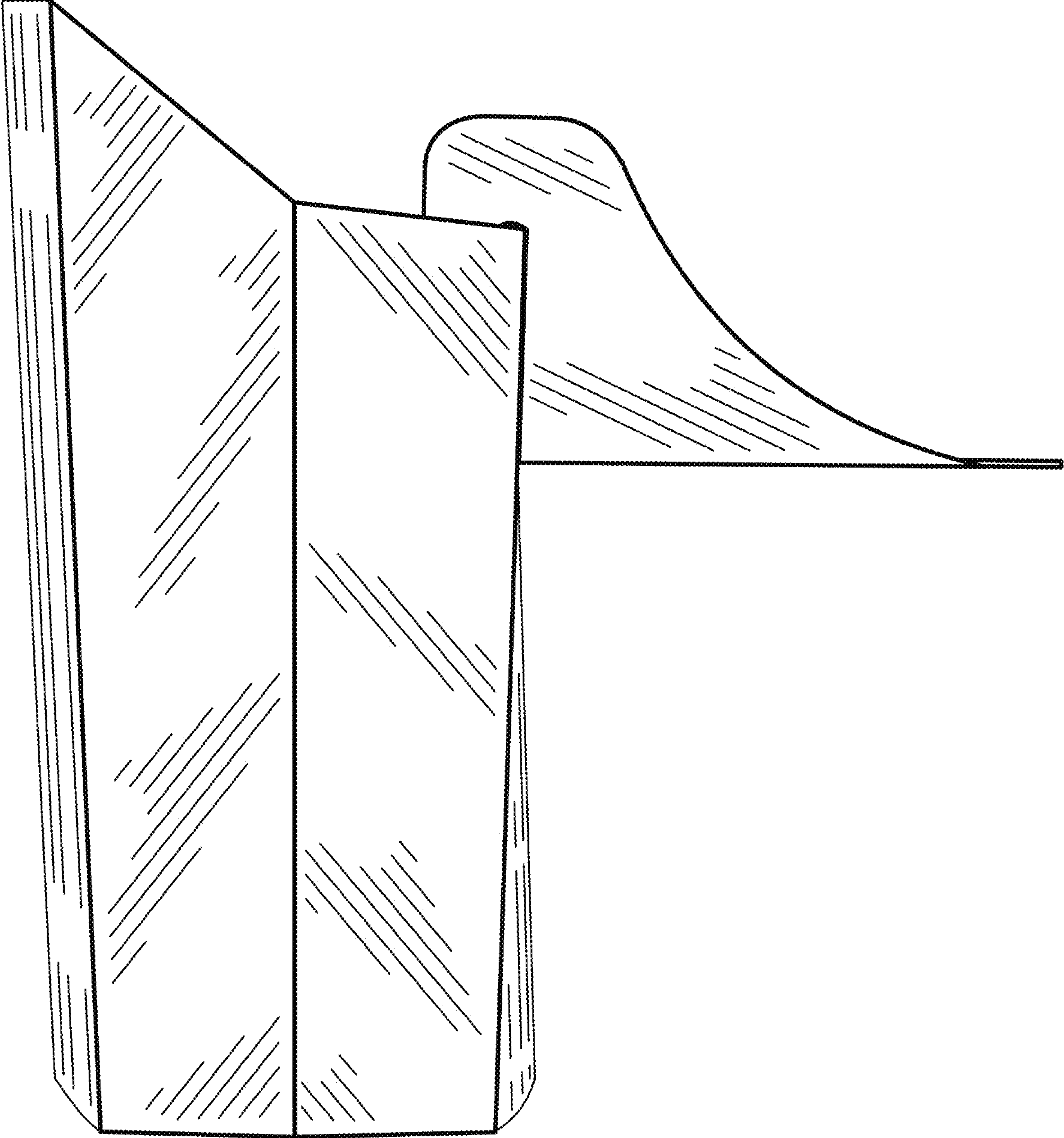


FIG. 3

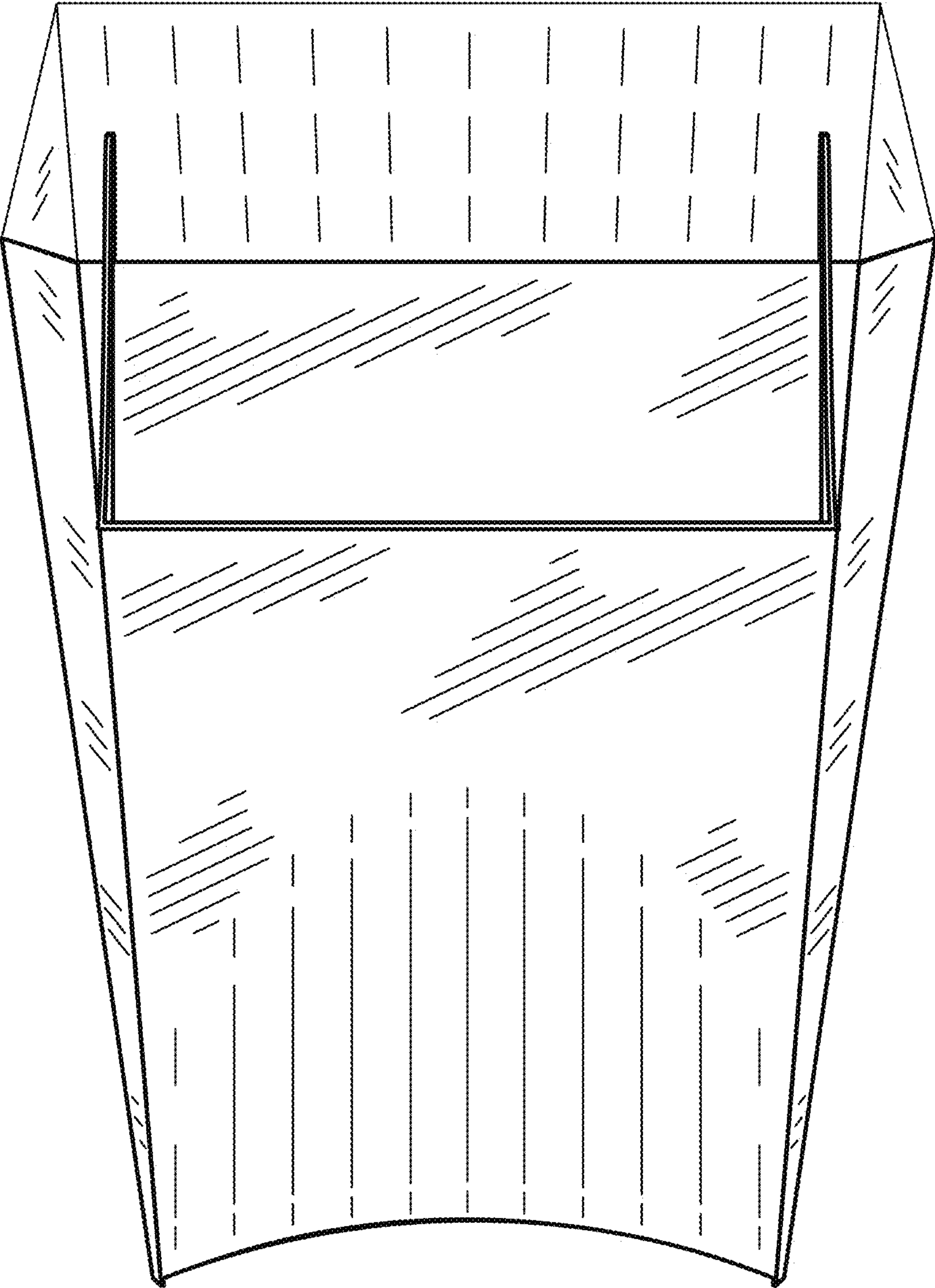


FIG. 4



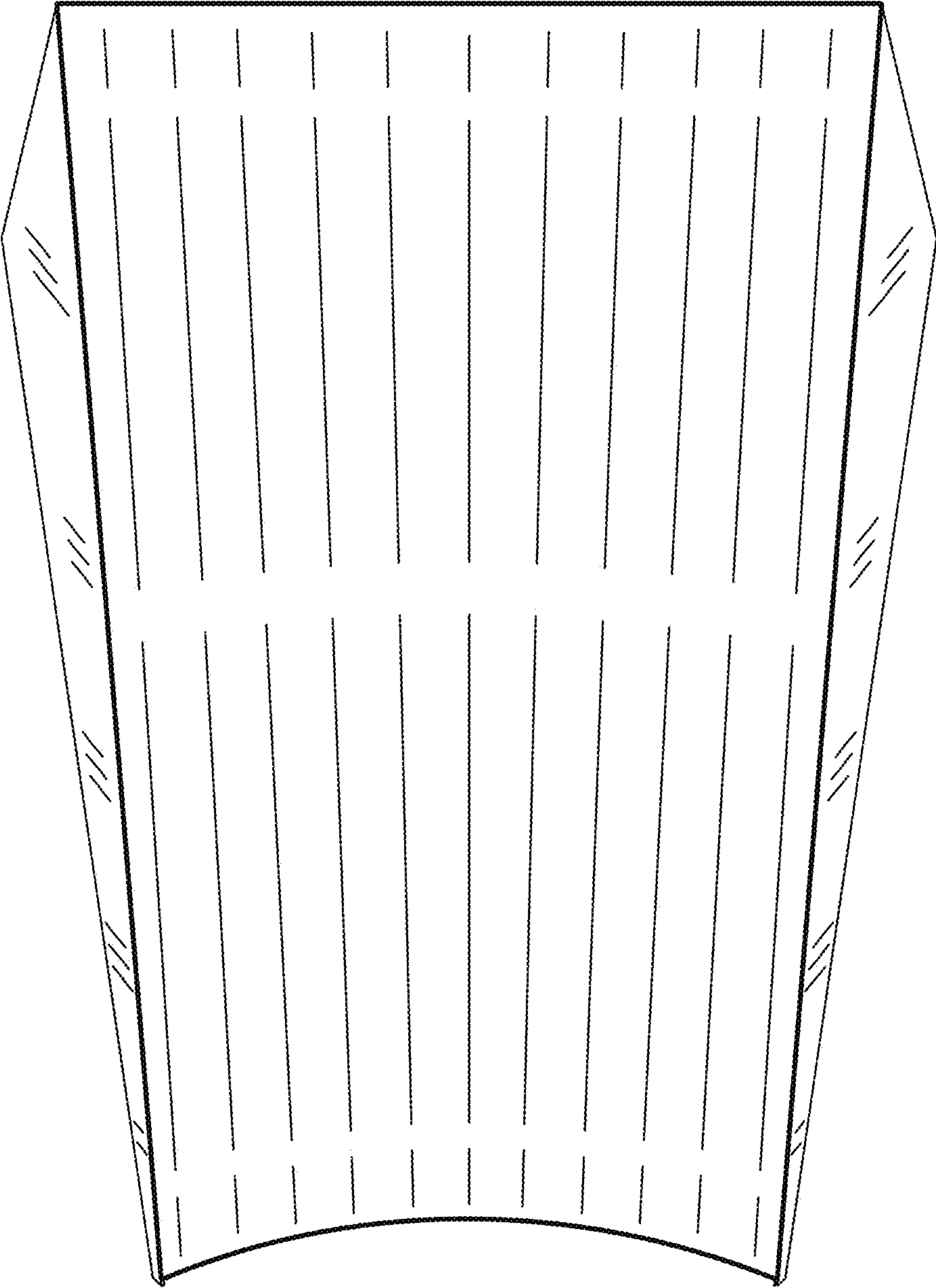


FIG. 5

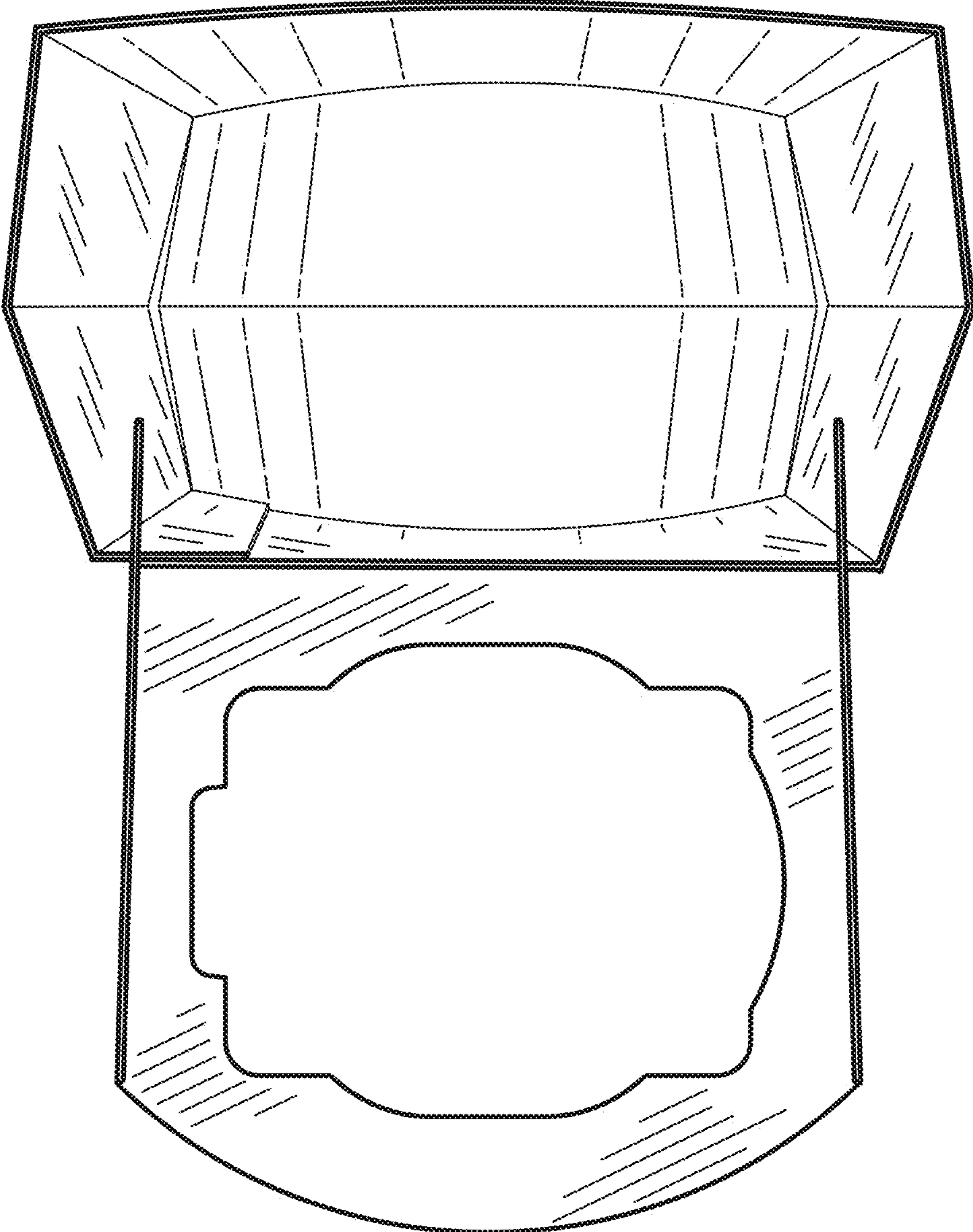


FIG. 6



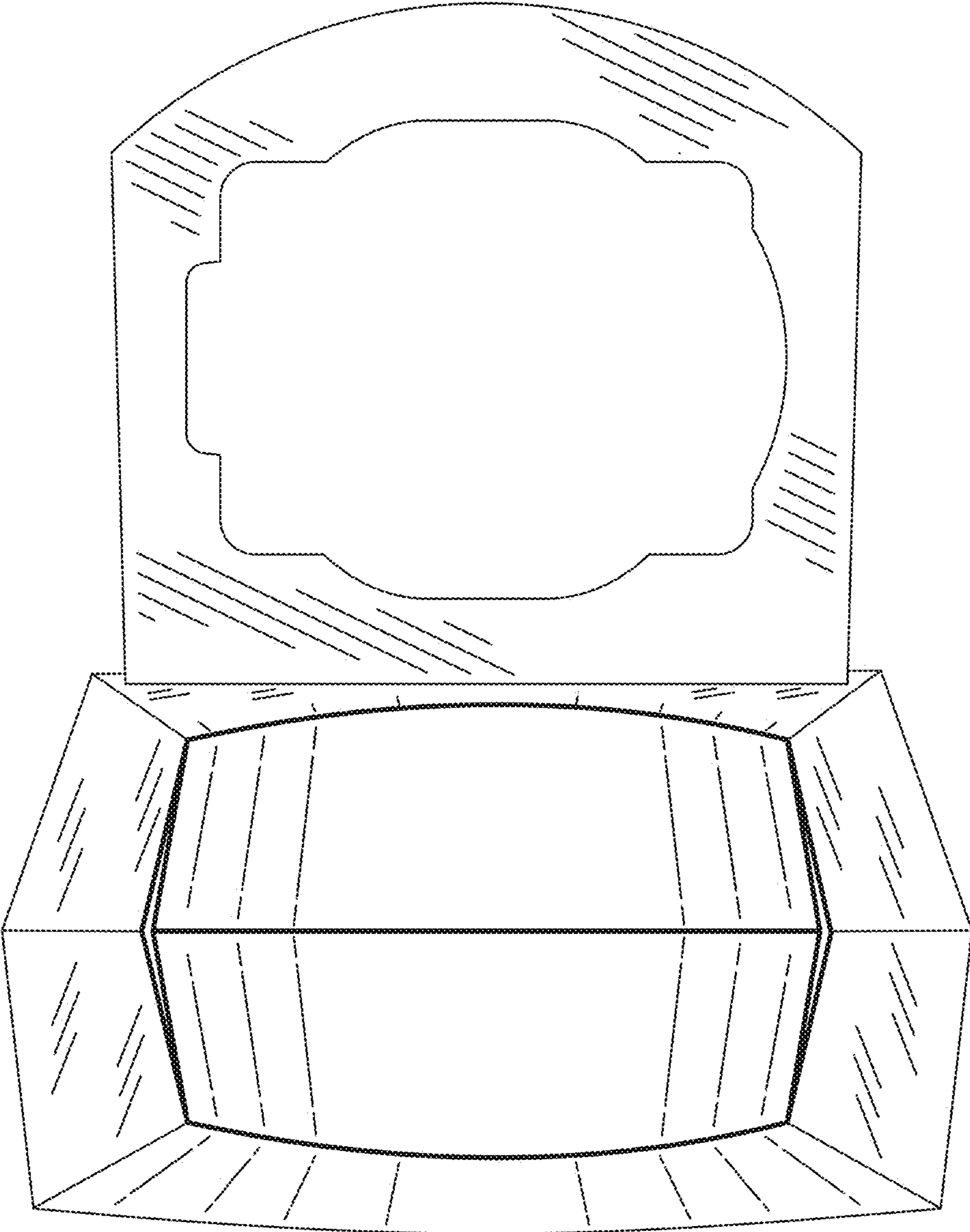


FIG. 7