



US00D982387S

(12) **United States Design Patent**
Glaser

(10) **Patent No.:** **US D982,387 S**

(45) **Date of Patent:** **** Apr. 4, 2023**

(54) **CONDIMENT CONTAINER**

(71) Applicant: **Outstanding Foods, Inc.**, Los Angeles, CA (US)

(72) Inventor: **William R. Glaser**, Los Angeles, CA (US)

(73) Assignee: **OUTSTANDING FOODS, INC.**, Los Angeles, CA (US)

(**) Term: **15 Years**

(21) Appl. No.: **29/756,464**

(22) Filed: **Oct. 28, 2020**

(51) **LOC (14) Cl.** **07-06**

(52) **U.S. Cl.**

USPC **D7/599**

(58) **Field of Classification Search**

USPC D7/301, 342, 345, 389, 506, 514, 539, D7/544, 551.1, 556, 559, 563-564, 567, D7/571, 593-594, 599, 604, 606, 613, D7/619.2, 623, 625, 628, 634, 636, 639, D7/651, 654, 675, 684, 689, 699, 702, D7/710; D9/441, 451, 600; D21/313, D21/414, 627, 654; D3/271.2; D11/158
CPC . B65D 81/365; B65D 81/368; B65D 2251/06
See application file for complete search history.

(56) **References Cited**

U.S. PATENT DOCUMENTS

D134,513 S * 12/1942 Ganz D7/613
D135,785 S * 6/1943 Ganz D11/158
D140,172 S * 1/1945 Ganz D7/613
D167,931 S * 10/1952 Dworkin D7/613
D187,348 S * 3/1960 Orenstein D7/613
D187,991 S * 5/1960 Weiner D11/158
D194,912 S * 4/1963 Markham D21/654
D237,839 S * 11/1975 Apilado D24/198

D240,309 S * 6/1976 Orenstein D21/654
D252,476 S * 7/1979 Wills, Jr. D1/110
D272,896 S * 3/1984 Kobashigawa D11/158

(Continued)

FOREIGN PATENT DOCUMENTS

CN 303716767 * 6/2016
CN 306676813 * 7/2021
CN 307108894 * 2/2022

OTHER PUBLICATIONS

Pig Out Pigless Bacon Seasoning Container, Outstanding Foods, outstandingfoods.com, author unlisted, published on Jan. 19, 2021 per wayback machine © 2022 Outstanding Foods, Inc., online, site visited Mar. 1, 2022. At URL: <https://outstandingfoods.com/products/pig-out-pigless-bacon-seasonings> (Year: 2021).*

(Continued)

Primary Examiner — Holly E Thurman
Assistant Examiner — Altaira J Swangin
(74) *Attorney, Agent, or Firm* — Shay Glenn LLP

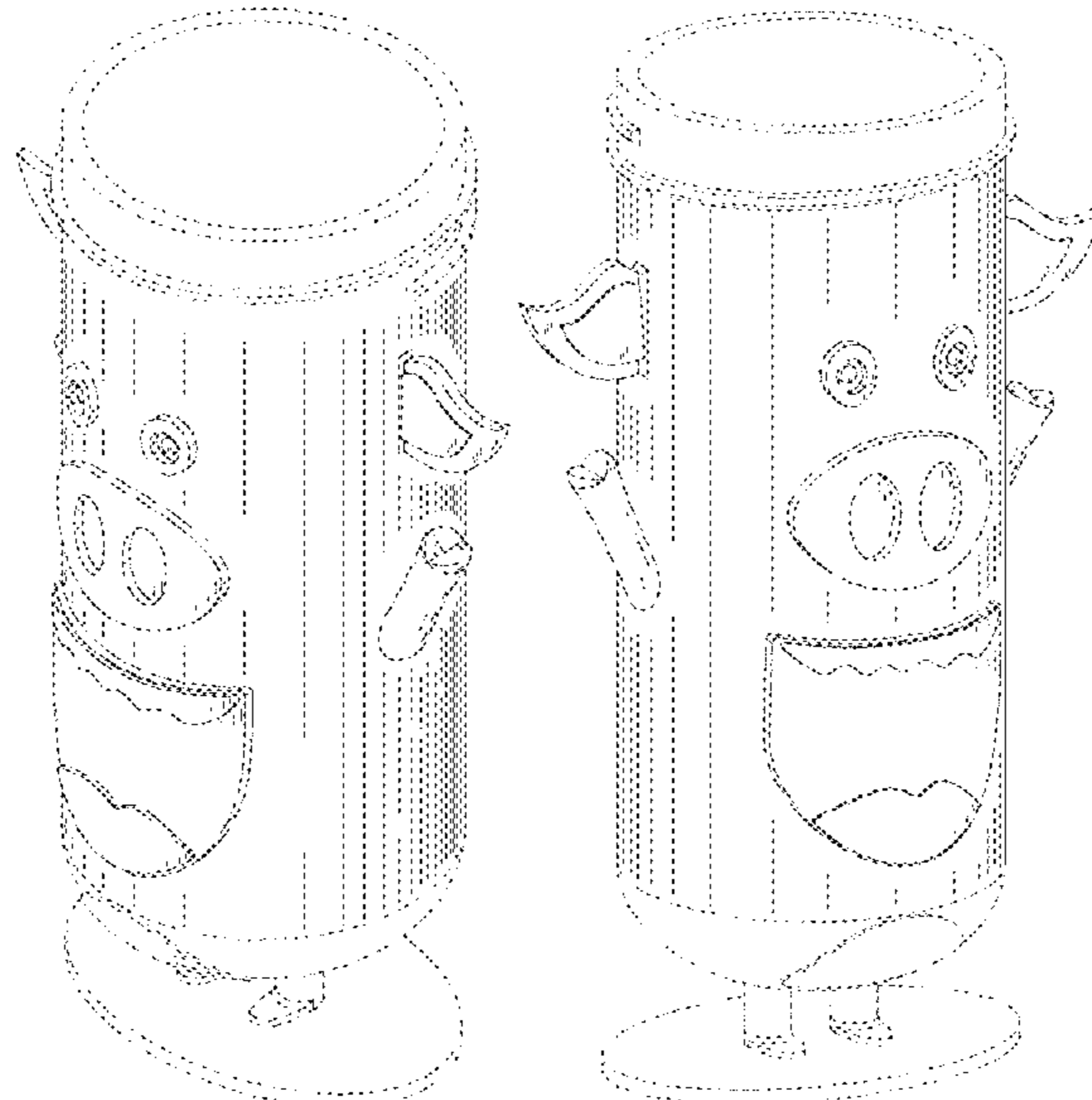
(57) **CLAIM**

The ornamental design for a condiment container, as shown and described.

DESCRIPTION

FIG. 1 is a front elevational view of a condiment container in accordance with the present invention.
FIG. 2 is a back elevational view thereof.
FIG. 3 is a right side elevational view thereof.
FIG. 4 is a left side elevational view thereof.
FIG. 5 is a top plan view thereof.
FIG. 6 is a bottom plan view thereof.
FIG. 7 is a top perspective view thereof
FIG. 8 is a front perspective view thereof; and,
FIG. 9 is a second front perspective view thereof.
The broken lines illustrate portions of the condiment container and form no part of the claimed design.

1 Claim, 9 Drawing Sheets



(56)

References Cited

U.S. PATENT DOCUMENTS

D301,159 S * 5/1989 Metzler D21/654
 D309,761 S * 8/1990 Hashimoto D99/40
 D321,938 S * 11/1991 Burt D7/623
 D390,267 S * 2/1998 Tsui D21/654
 D490,305 S * 5/2004 Takacs D9/608
 D509,023 S * 8/2005 Chen D27/149
 D536,751 S * 2/2007 Boutin D21/654
 D546,061 S * 7/2007 Jhuang D21/655
 D572,478 S * 7/2008 Carlstedt D3/203.1
 D575,683 S * 8/2008 Gill D8/305
 D603,913 S * 11/2009 Kelly D21/654
 D640,753 S * 6/2011 Ivanic D21/654
 D655,794 S * 3/2012 Hall D11/158
 D665,614 S * 8/2012 Lee D21/654
 D702,298 S * 4/2014 Ra D21/654
 D715,597 S * 10/2014 Bowen D7/625
 D716,103 S * 10/2014 Bowen D7/625
 D726,507 S * 4/2015 Bowen D7/625
 D726,508 S * 4/2015 Bowen D7/625
 D726,509 S * 4/2015 Bowen D7/625

D726,510 S * 4/2015 Bowen D7/625
 D726,511 S * 4/2015 Bowen D7/625
 D727,113 S * 4/2015 Bowen D7/625
 D735,533 S * 8/2015 Kolano D7/539
 D809,875 S * 2/2018 Delgado Carmona D7/564
 D821,507 S * 6/2018 Rub D21/654
 D847,118 S * 4/2019 Li D14/207
 D849,534 S * 5/2019 Westrick D9/609
 D878,044 S * 3/2020 Peng D9/601
 D878,755 S * 3/2020 Peng D9/608
 D878,851 S * 3/2020 Locker D7/354
 D884,343 S * 5/2020 Peng D9/602
 2021/0130073 A1 * 5/2021 Hall B65D 81/365

OTHER PUBLICATIONS

Peppa Pig Toys, Peppa Pig, amazon.com, published by Peppa Pig Store, release date of Jul. 15, 2020 © 1996-2022 Amazon.com, Inc., online, site visited Mar. 4, 2022. Available at URL: <https://www.amazon.com/Peppa-Pig-Fancy-Family-Kindergarteners/dp/B084ZXZTJY> (Year: 2020).*

* cited by examiner

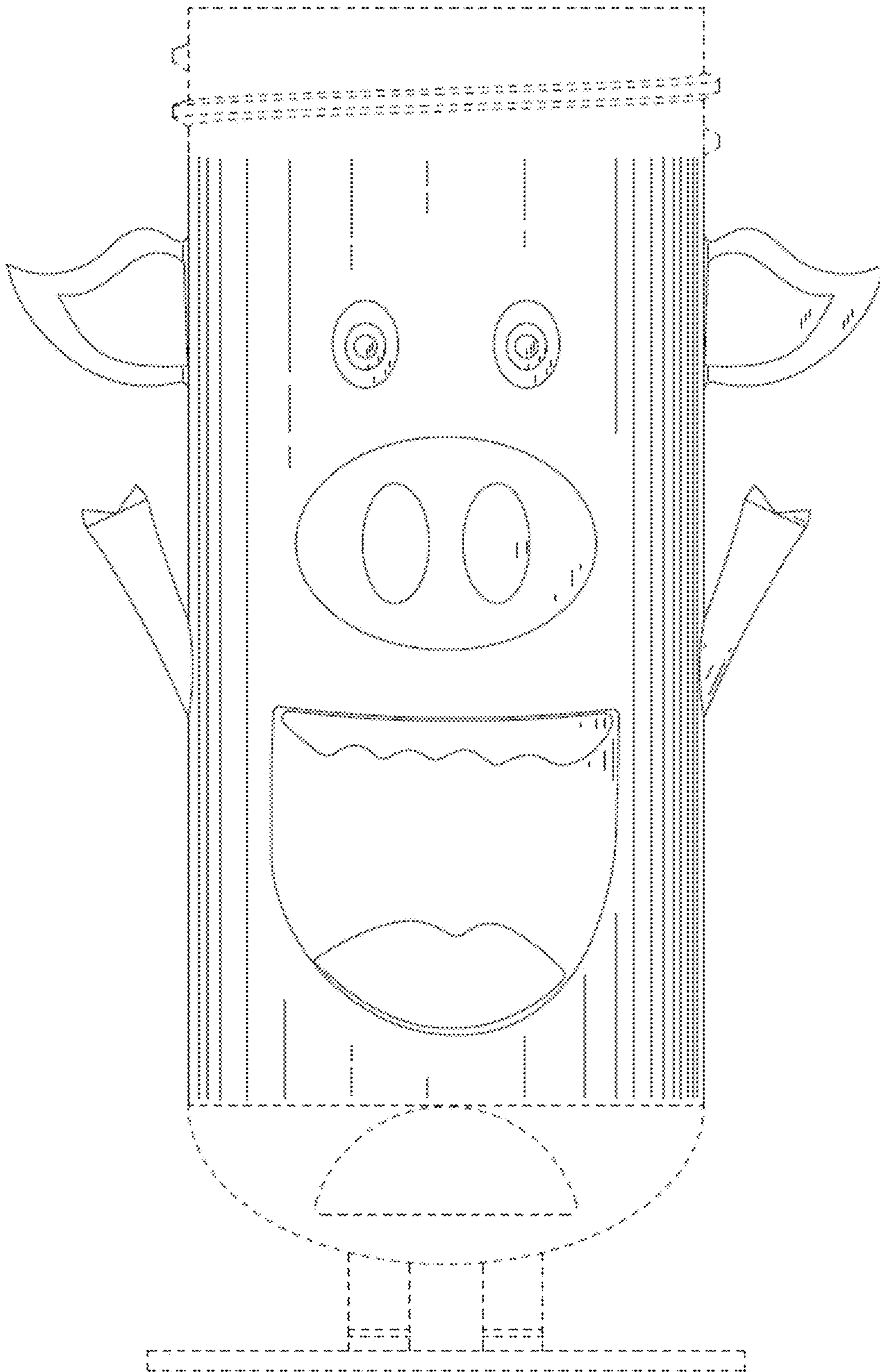


FIG. 1

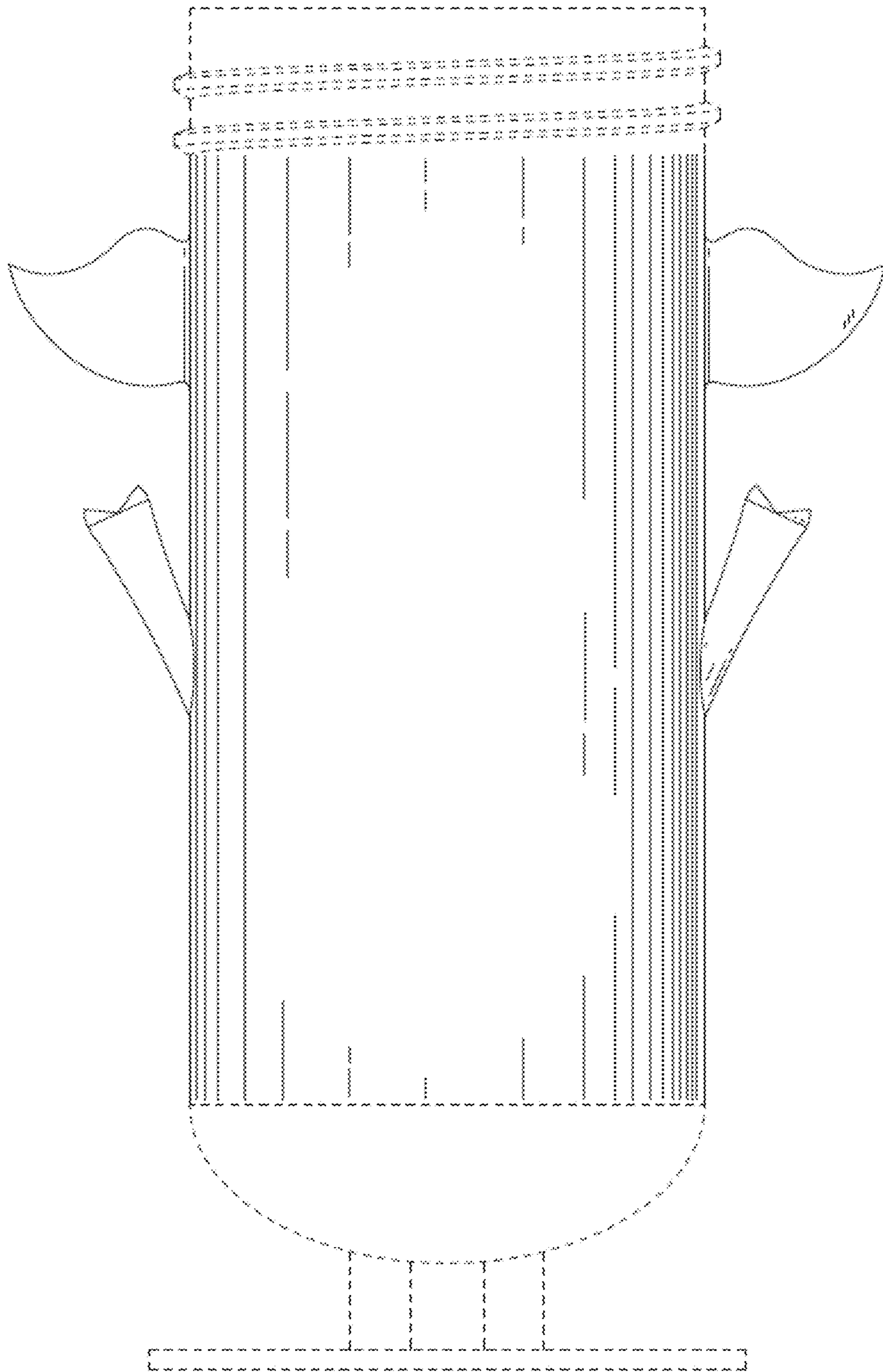


FIG. 2

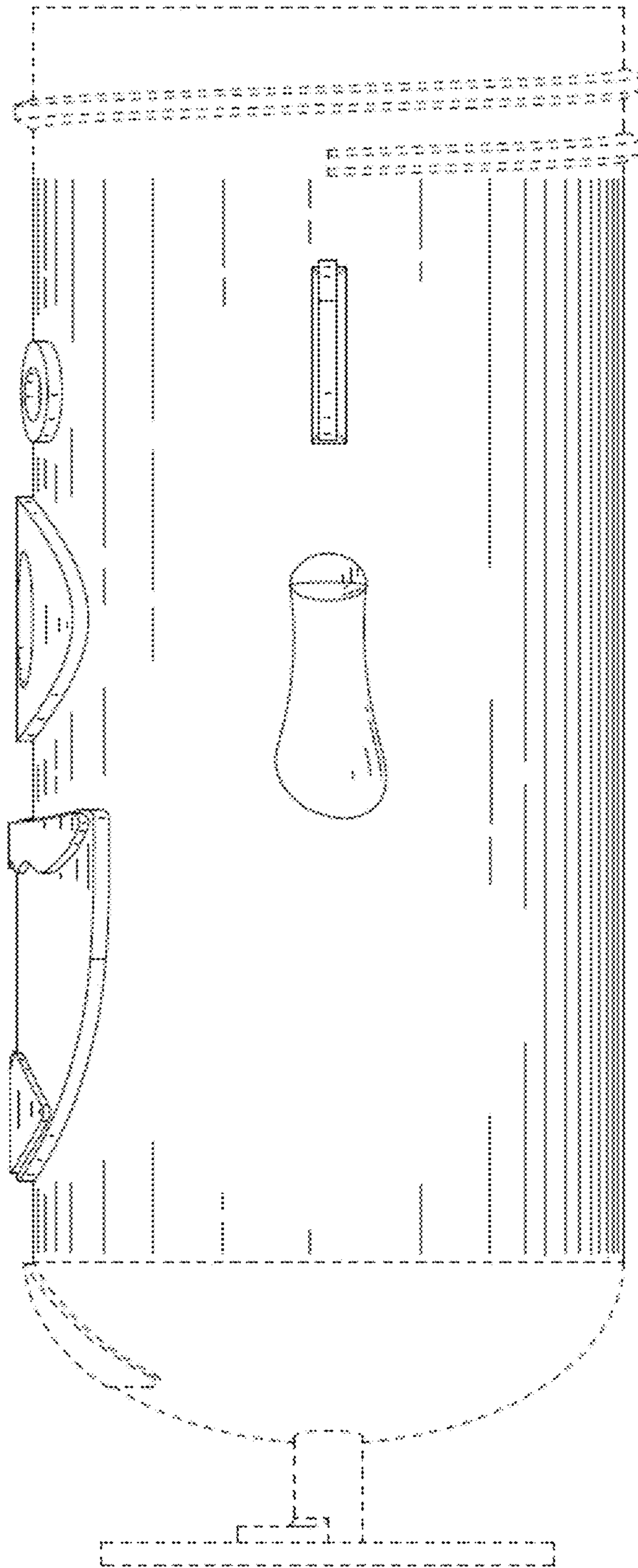


FIG. 3

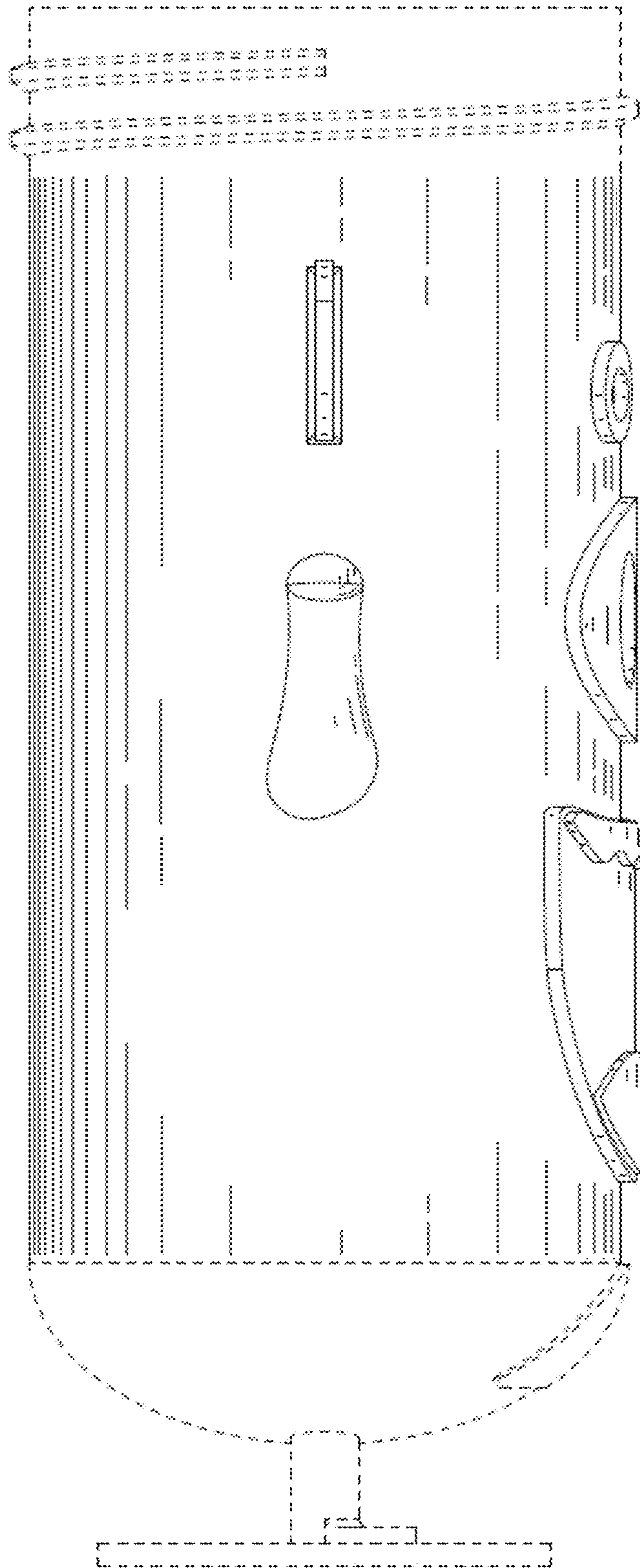


FIG. 4

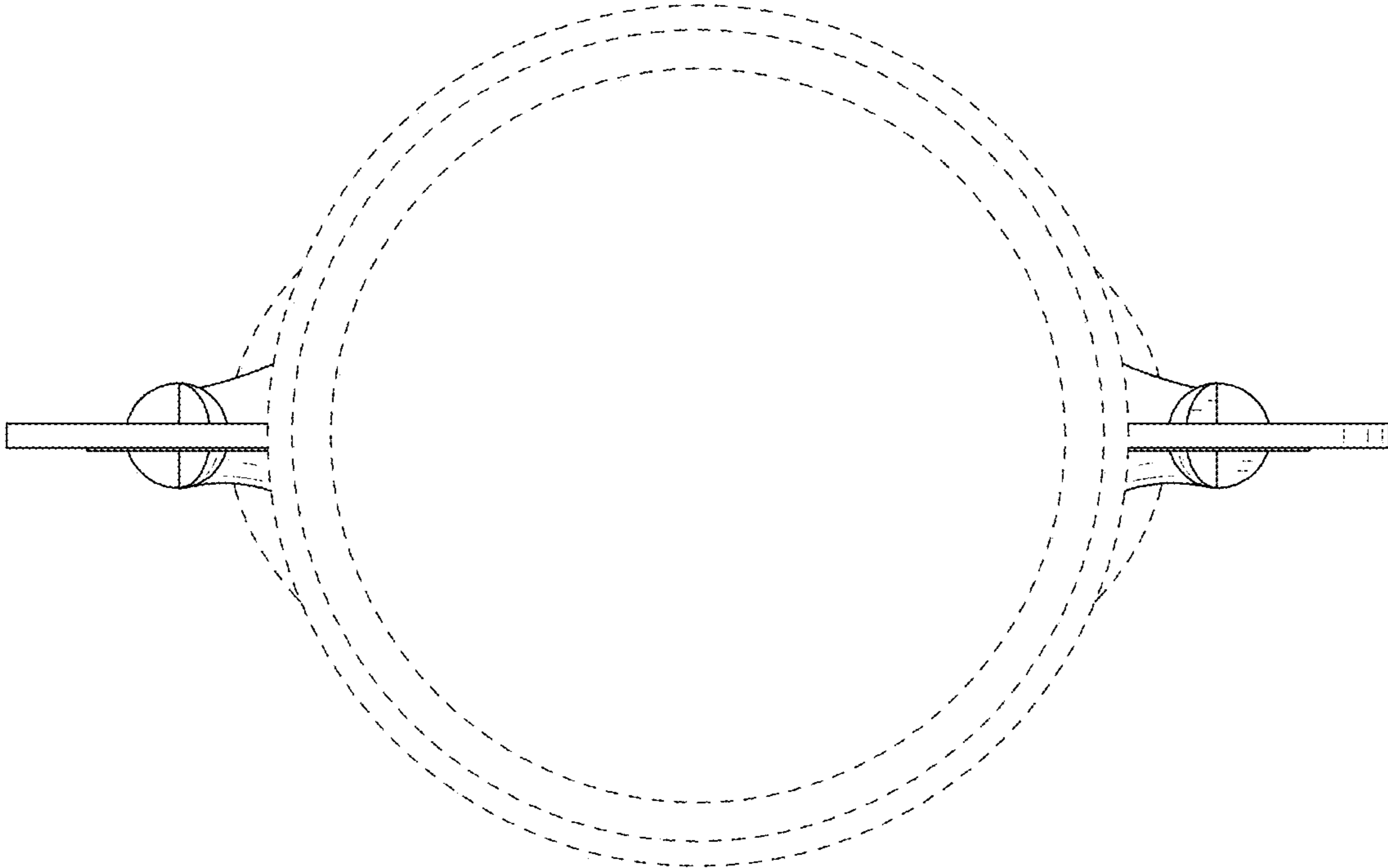


FIG. 5

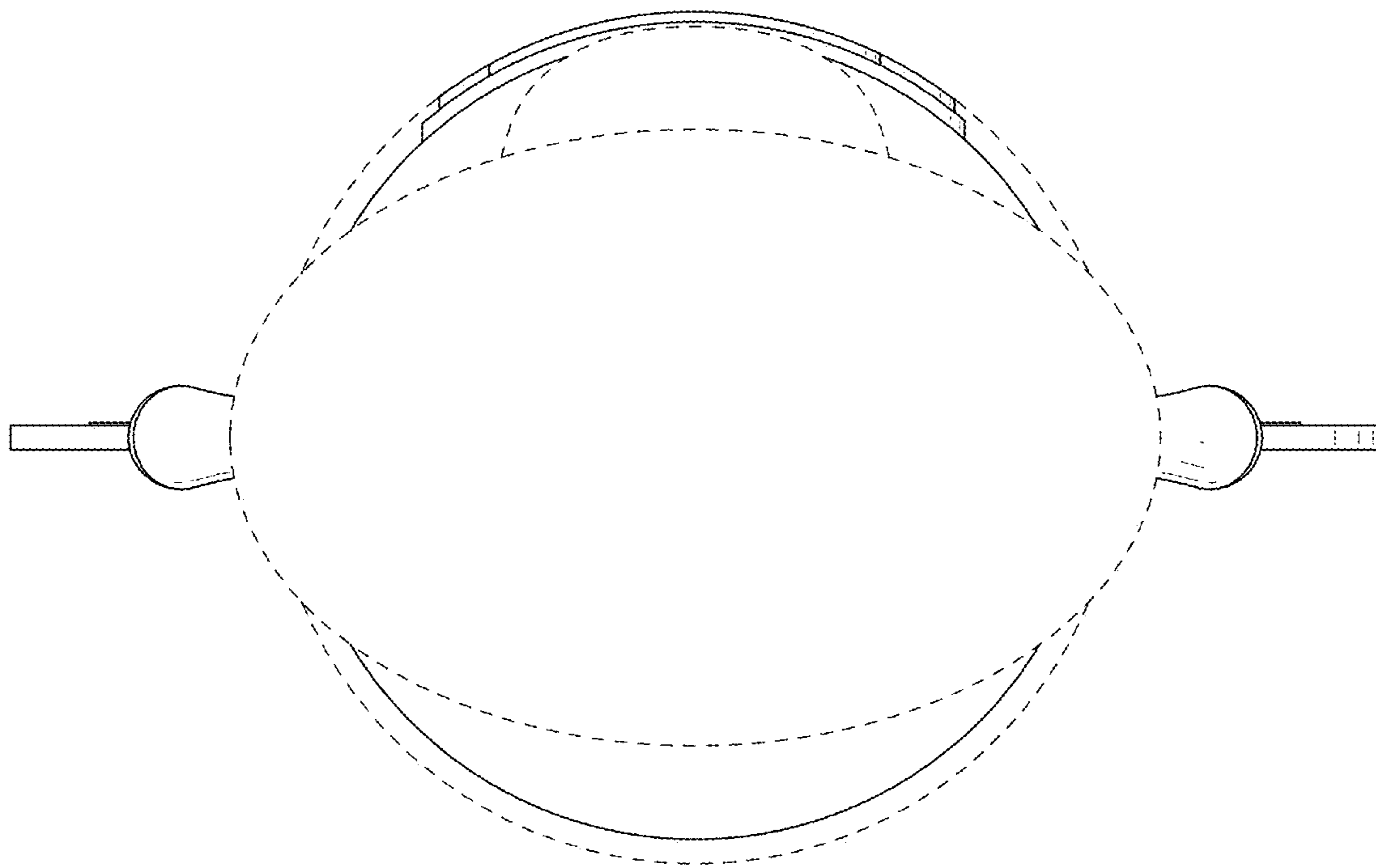


FIG. 6

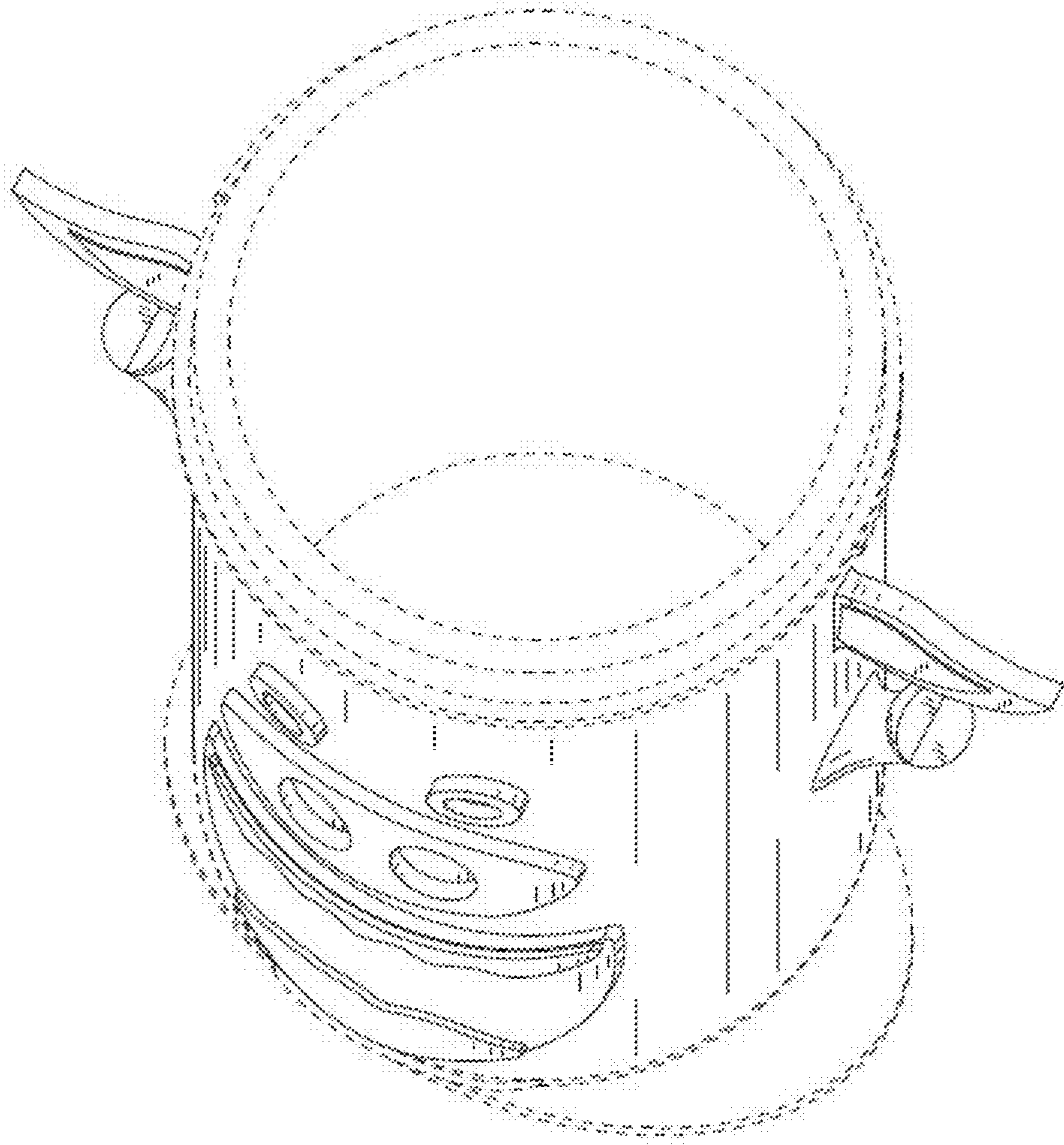


FIG. 7

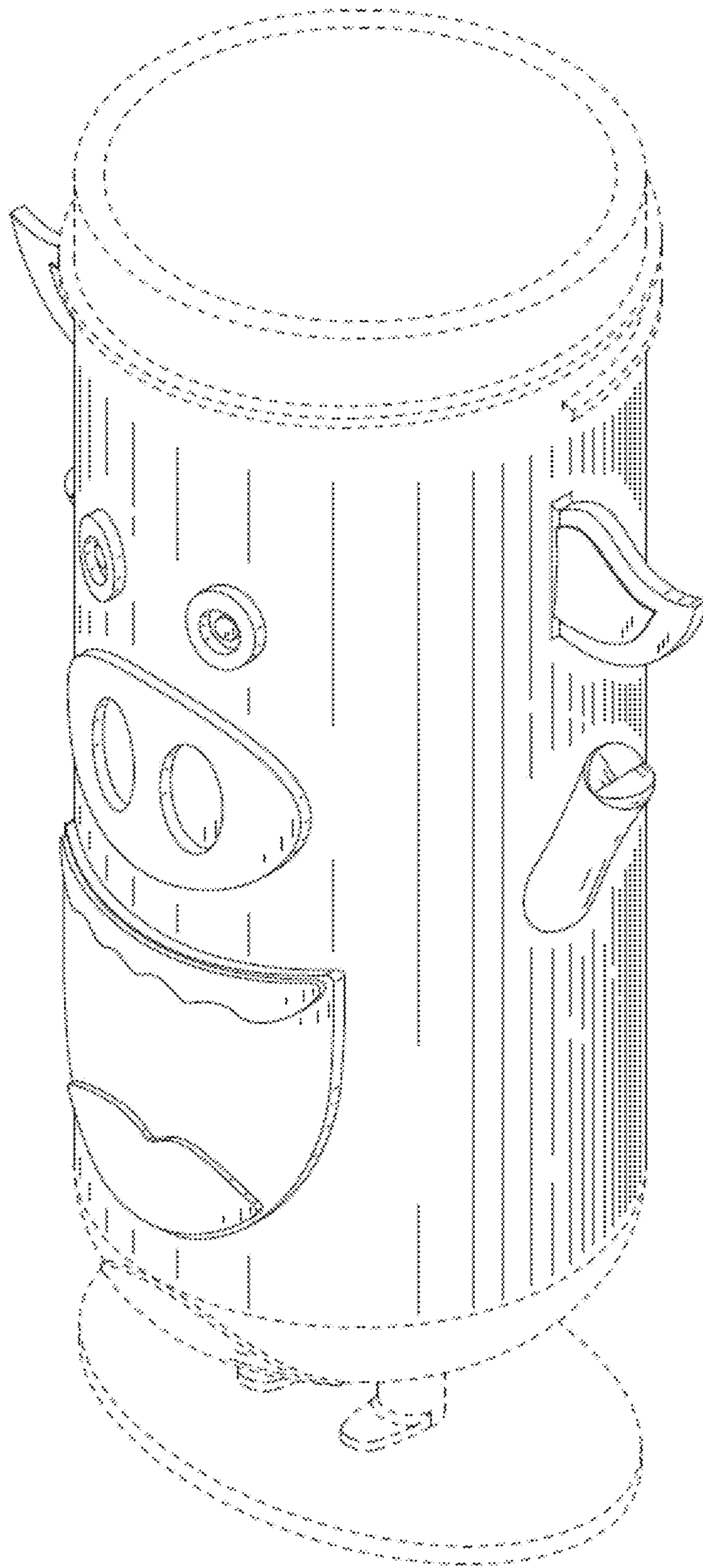


FIG. 8

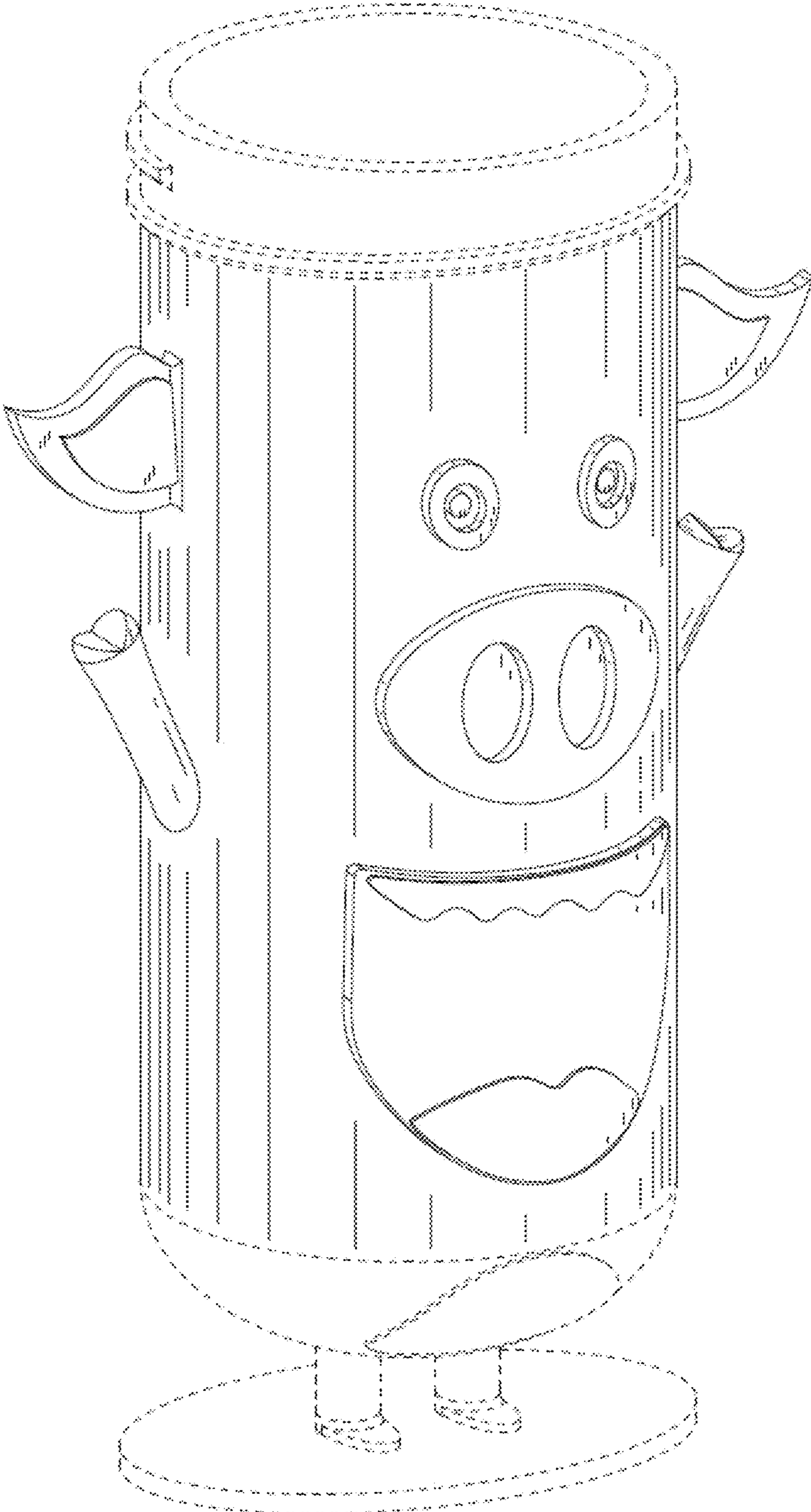


FIG. 9