



US00D982386S

(12) **United States Design Patent** (10) **Patent No.:** **US D982,386 S**  
**Pape et al.** (45) **Date of Patent:** **\*\* Apr. 4, 2023**

(54) **LID**

FOREIGN PATENT DOCUMENTS

(71) Applicant: **MiiR Holdings, LLC**, Seattle, WA (US)

CN 300990171 8/2009  
CN 102802462 11/2012

(Continued)

(72) Inventors: **Bryan Pape**, Seattle, WA (US); **Joe Gray**, Seattle, WA (US)

OTHER PUBLICATIONS

(73) Assignee: **MiiR Holdings, LLC**, Seattle, WA (US)

Daniel Jessep [online] URL: <https://danieljessep.co.nz/products/coffee-cup-jade-fluted> (site visited: Jun. 30, 2022) (Year: 2022).\*

(Continued)

(\*\*) Term: **15 Years**

*Primary Examiner* — Jae Liang

(21) Appl. No.: **29/814,204**

*Assistant Examiner* — Tia Ruth-Renee Polidori

(22) Filed: **Nov. 4, 2021**

(74) *Attorney, Agent, or Firm* — Janeway Patent Law PLLC; John M. Janeway

**Related U.S. Application Data**

(63) Continuation of application No. 29/740,319, filed on Jul. 2, 2020, now Pat. No. Des. 946,352.

(57) **CLAIM**

(51) **LOC (14) Cl.** ..... **07-01**

We claim the ornamental design for a lid, as shown and described.

(52) **U.S. Cl.**

USPC ..... **D7/511**; D7/510

(58) **Field of Classification Search**

**DESCRIPTION**

USPC ..... D7/507, 509, 510, 511, 529, 531, 532, D7/523, 533, 534, 535, 536, 392.1, 396.1, D7/396.2, 300.1, 608, 514, 900, 526, 505, D7/392, 537, 519, 213; D3/202; D9/612, 680; D22/116, 108; D27/183  
CPC ..... A47G 19/22; A47G 19/2288; A47G 19/2205; A47G 19/2211; A47G 19/2216; A47G 19/2272; A47J 41/0077; A47J 41/0088; A47J 43/27; A47J 41/00; A47J

(Continued)

FIG. 1 is a top perspective view of our new design for a lid, shown with an environmental cup for clarity of disclosure; FIG. 2 is a rear elevation view of our new design for a lid, shown with no cup for clarity of disclosure; FIG. 3 is a front elevation view thereof; FIG. 4 is a left-side elevation view thereof; FIG. 5 is a right-side elevation view thereof; FIG. 6 is a top plan view thereof; FIG. 7 is a bottom plan view thereof; and, FIG. 8 is cross-sectional view thereof taken about line 8-8 of FIG. 6.

(56) **References Cited**

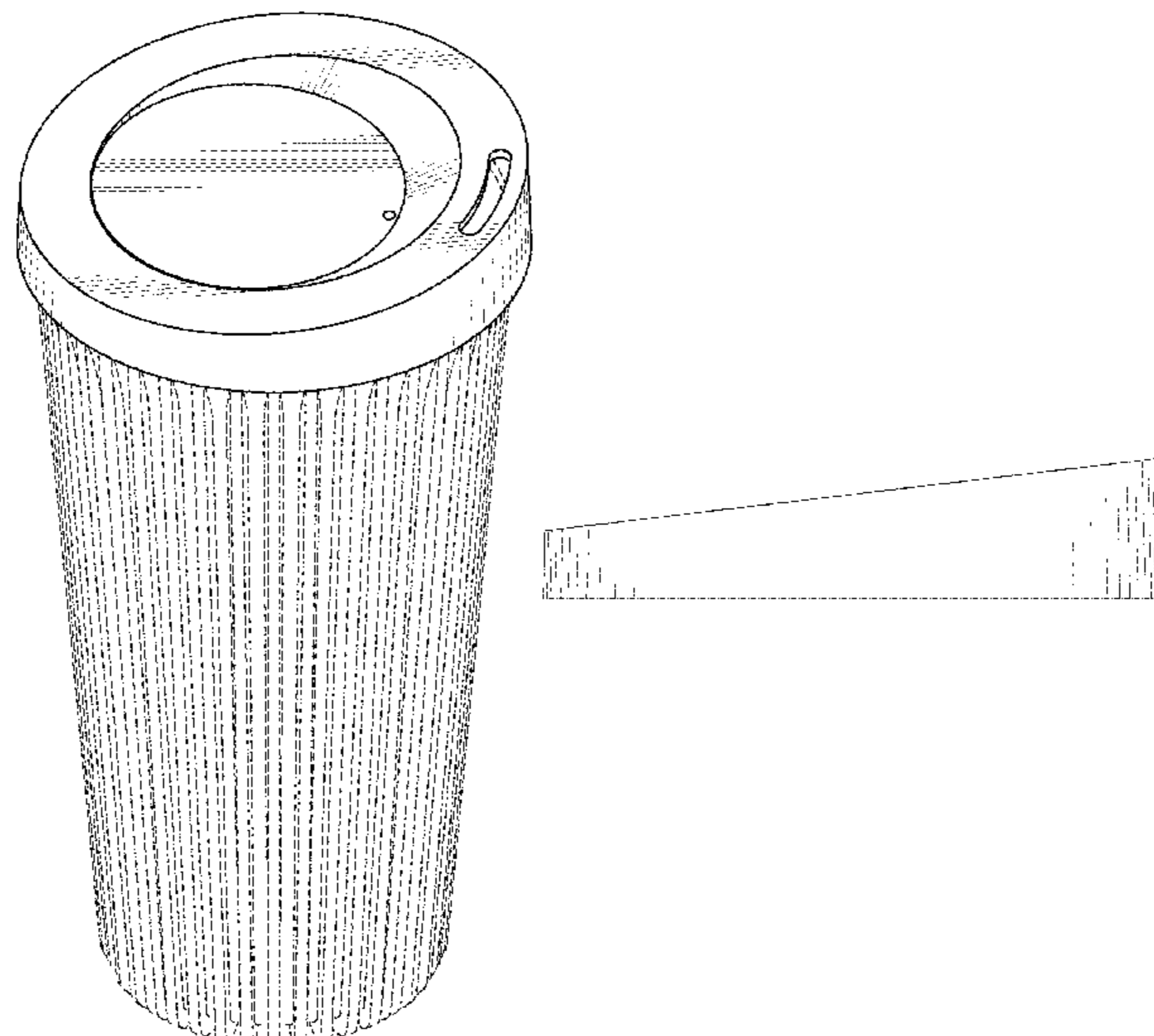
**U.S. PATENT DOCUMENTS**

2,414,901 A 1/1947 Schlumbohm  
2,705,086 A 3/1955 Schlumbohm  
2,889,065 A 6/1959 Lawlor

The broken line showing of a cup in FIG. 1 depicts environment and forms no part of the claimed design. The broken line arrows in FIG. 6 depict cross-sectional view indicia and form no part of the claimed design.

(Continued)

**1 Claim, 4 Drawing Sheets**



(58) **Field of Classification Search**  
 CPC ..... 45/072; B65D 1/265; B65D 21/02; B65D  
 43/00; Y10S 220/903  
 See application file for complete search history.

(56) **References Cited**

U.S. PATENT DOCUMENTS

D199,320 S 10/1964 Sweet  
 3,194,468 A \* 7/1965 Baron ..... B65D 1/265  
 220/675  
 D202,643 S 10/1965 Hoyt, Jr.  
 3,327,881 A 6/1967 Maier  
 3,344,734 A 10/1967 Aguirre-Batres et al.  
 3,443,715 A \* 5/1969 Edwards ..... B65D 1/265  
 206/499  
 3,465,905 A 9/1969 Schottanes  
 3,536,496 A 10/1970 Paoloni  
 3,603,106 A 9/1971 Ryan  
 3,730,383 A 5/1973 Dunn  
 3,739,932 A 6/1973 Westover  
 3,800,954 A 4/1974 Lampcov  
 3,938,690 A 2/1976 Butler  
 4,057,167 A 11/1977 Lee  
 D248,358 S \* 7/1978 Thomas ..... D9/556  
 D265,462 S \* 7/1982 Andrulionis ..... D9/429  
 4,362,623 A 12/1982 Holopainen  
 D274,115 S 6/1984 Gavin  
 D278,121 S 3/1985 Sussman  
 D279,346 S 6/1985 Ruxton  
 D282,616 S 2/1986 Gallagher  
 D289,143 S 4/1987 Guillaume  
 D289,592 S 5/1987 Loughridge  
 4,715,271 A 12/1987 Kitagawa  
 4,863,601 A 9/1989 Wittekind et al.  
 D306,970 S 4/1990 Bauer-Secundus  
 D316,013 S 4/1991 Jones  
 D323,758 S 2/1992 Hoelterscheidt  
 D325,848 S \* 5/1992 Embree ..... D7/533  
 5,132,124 A 7/1992 Tamaki  
 D329,198 S \* 9/1992 Krupa ..... D9/429  
 5,226,585 A 7/1993 Varano  
 5,267,685 A 12/1993 Sorensen  
 5,318,786 A 6/1994 Clarkson  
 D350,457 S 9/1994 Bailey  
 D351,321 S 10/1994 Steppe, Sr.  
 D353,973 S 1/1995 Adado  
 5,415,339 A \* 5/1995 Howard ..... B65D 3/06  
 229/103.11  
 D363,858 S 11/1995 Sweeney  
 D365,721 S 1/1996 Huang  
 5,509,583 A 4/1996 Dolson  
 D372,398 S \* 8/1996 Lamson ..... D7/529  
 D375,871 S \* 11/1996 Jarvis ..... D7/531  
 D377,293 S 1/1997 Husted  
 5,605,710 A 2/1997 Pridonoff  
 5,709,314 A 1/1998 Petry  
 5,771,777 A 6/1998 Davis  
 D395,794 S 7/1998 Moran  
 D396,380 S 7/1998 Lai  
 D398,852 S 9/1998 Gross  
 5,842,408 A 12/1998 Hatta  
 D409,051 S 5/1999 Huang  
 D414,685 S 10/1999 Chahed  
 D415,651 S 10/1999 Trombly  
 D415,652 S 10/1999 Leow  
 D416,755 S 11/1999 Trombly  
 D417,127 S 11/1999 Steadward  
 D417,817 S 12/1999 Loew  
 D427,853 S 7/2000 Kohlase  
 D429,118 S 8/2000 Hurlbut  
 D432,865 S 10/2000 Cohen  
 D436,804 S 1/2001 Wolfe  
 D438,298 S 2/2001 McNutt  
 D438,376 S 3/2001 Marshall  
 D457,395 S 5/2002 Gluck  
 D458,082 S 6/2002 Gluck

RE37,773 E 7/2002 Trombly  
 D462,575 S 9/2002 Gluck  
 D465,132 S 11/2002 Janky  
 D466,814 S 12/2002 Hurlburt  
 D471,767 S 3/2003 Ucar Cortes  
 D475,891 S 6/2003 Bin  
 D476,528 S 7/2003 Janky  
 D478,287 S 8/2003 Corker  
 D481,590 S 11/2003 Lin  
 D481,591 S 11/2003 Lin  
 D482,238 S 11/2003 Lin  
 D483,676 S 12/2003 Lee  
 D488,029 S 4/2004 Bodum  
 D488,672 S 4/2004 Oas  
 D488,673 S 4/2004 Farce  
 D489,573 S 5/2004 Li  
 D490,274 S 5/2004 Irvine  
 6,752,287 B1 6/2004 Lin  
 D494,815 S \* 8/2004 Bodum ..... D7/510  
 D495,186 S 8/2004 Poupel  
 D496,559 S \* 9/2004 Bodum ..... D7/510  
 6,824,003 B1 11/2004 Wong  
 D504,796 S 5/2005 Schuler  
 D519,320 S 4/2006 Festa  
 D522,312 S 6/2006 Bodum  
 D522,796 S 6/2006 Teh-Hsiung  
 D523,692 S 6/2006 Meehan  
 D523,693 S 6/2006 Bodum  
 D527,576 S 9/2006 Gluck  
 D530,153 S 10/2006 Karp  
 D530,607 S 10/2006 Cornet  
 D531,033 S 10/2006 Schmidtner et al.  
 D531,451 S 11/2006 Bin  
 D533,402 S 12/2006 Bin  
 D533,747 S 12/2006 Jin  
 D533,779 S 12/2006 Schmidtner et al.  
 D534,396 S 1/2007 Kramer  
 D536,213 S 2/2007 Schuler et al.  
 D536,214 S 2/2007 Schuler et al.  
 7,172,101 B2 2/2007 Find  
 D539,608 S 4/2007 Lapsker  
 D539,609 S 4/2007 Ving et al.  
 D541,105 S 4/2007 Jin  
 D545,128 S 6/2007 Liu et al.  
 D549,522 S 8/2007 Tien  
 7,275,653 B2 10/2007 Tedford, Jr.  
 D561,594 S 2/2008 Condon  
 D562,072 S 2/2008 Wahl  
 D563,173 S \* 3/2008 Karam ..... D7/532  
 D564,883 S 3/2008 Rica  
 D565,798 S 4/2008 Ivanova  
 D567,026 S \* 4/2008 Karam ..... D7/532  
 D567,102 S 4/2008 Rhoden  
 D568,106 S \* 5/2008 Karam ..... D7/532  
 D569,190 S \* 5/2008 Karam ..... D7/532  
 H2217 H 6/2008 Smay  
 D571,152 S 6/2008 Tien  
 D572,083 S 7/2008 Tien  
 D572,975 S 7/2008 Germany  
 D573,017 S 7/2008 Henderson  
 D573,390 S \* 7/2008 Ablo ..... D7/509  
 D575,110 S \* 8/2008 Karam ..... D7/529  
 D582,206 S 12/2008 Fuller  
 D583,191 S 12/2008 Wong  
 D589,747 S 4/2009 Wong  
 D589,751 S 4/2009 Liu et al.  
 D591,103 S 4/2009 Wong  
 7,513,380 B2 4/2009 Canedo  
 D609,571 S 2/2010 Butler  
 D614,918 S 5/2010 Chisholm  
 D614,955 S 5/2010 Cresswell  
 D614,961 S 5/2010 Thomas  
 D617,608 S 6/2010 Yang  
 D618,508 S 6/2010 George  
 D621,220 S 8/2010 Lown  
 D621,648 S 8/2010 Lown  
 D621,659 S 8/2010 Liu  
 D622,360 S 8/2010 Bouroullec et al.  
 D623,896 S 9/2010 Wahl



(56)

References Cited

U.S. PATENT DOCUMENTS

D623,949 S	9/2010	Throndsen	D767,238 S	9/2016	Boroski	
D624,356 S	9/2010	Davies	D767,328 S	9/2016	Boroski	
D625,541 S	10/2010	Kauer	D767,337 S	9/2016	Boroski	
D627,602 S	11/2010	Eyal	D768,435 S	10/2016	Hoorntje	
D628,486 S	12/2010	Lane	D771,439 S	11/2016	Miller	
D632,522 S	2/2011	Wahl	D772,651 S	11/2016	Leonard	
D635,401 S	4/2011	DelVecchio	D773,250 S	12/2016	Miller	
7,918,364 B2	4/2011	Kim	D774,837 S	12/2016	Seiders	
D639,177 S	6/2011	Pape	D779,275 S	2/2017	Crosby	
D639,608 S	6/2011	Tohm, Sr.	D779,276 S	2/2017	Crosby	
D644,062 S	8/2011	Lorenz	D780,577 S	3/2017	Seiders	
D649,037 S *	11/2011	Cimmerer ..... D9/429	D781,101 S	3/2017	Barber	
D650,633 S	12/2011	Birgers	D781,145 S	3/2017	Seiders	
D652,255 S	1/2012	Carland	D781,146 S	3/2017	Seiders	
D653,079 S	1/2012	King	D782,150 S *	3/2017	Briganti ..... D1/122	
D654,869 S	2/2012	Konz	D783,368 S	4/2017	Seiders	
D655,167 S	3/2012	Weber-Trinkfass	D784,137 S	4/2017	Cates	
D656,361 S	3/2012	Gilbert	D786,619 S	5/2017	Joseph	
D658,878 S	5/2012	Deguglimo	D787,270 S	5/2017	Mishan	
D659,007 S	5/2012	Pape	D789,134 S	6/2017	Lin	
D661,939 S	6/2012	Kern	D789,737 S	6/2017	Eyal	
D664,001 S *	7/2012	Liu ..... D7/510	D794,460 S	8/2017	Notheis	
D668,913 S	10/2012	Mayer	D795,008 S	8/2017	Eyal	
8,336,732 B1	12/2012	Tobias	D795,013 S	8/2017	Shultz	
D675,100 S	1/2013	Herbst	D795,643 S	8/2017	Barlow	
D678,068 S	3/2013	Huang	D799,320 S	10/2017	Goodwin	
D679,188 S	4/2013	Zuchetta	D802,362 S	11/2017	Spivey	
D679,942 S	4/2013	Lyll, III	D804,905 S	12/2017	Seiders	
D679,979 S	4/2013	Meritt	D805,852 S	12/2017	Seiders	
D680,435 S	4/2013	Wanet	D808,802 S	1/2018	Seiders	
D681,448 S *	5/2013	O'Malley ..... D9/429	D812,432 S	3/2018	Seiders	
D684,312 S	6/2013	Badawi	D812,979 S	3/2018	Seiders	
D684,805 S	6/2013	Bjerre-Poulsen	D814,240 S	4/2018	Kabalin	
D695,138 S	12/2013	Ball	D814,243 S	4/2018	Pape	
D700,802 S	3/2014	Miller	D814,852 S	4/2018	Melanson	
D701,079 S	3/2014	Arora	D815,890 S	4/2018	Boroski	
D702,506 S	4/2014	Mettler	D815,903 S	4/2018	Steel	
8,690,006 B1	4/2014	Chiorazzi	D816,165 S	4/2018	Fassi	
D708,954 S	6/2014	Barnes	D816,398 S	5/2018	Fleischhut	
8,746,131 B2	6/2014	Saitoh	D817,093 S	5/2018	Silsby	
D709,328 S	7/2014	Ross	D819,396 S	6/2018	Seiders	
D717,109 S	11/2014	Simontov	D819,405 S *	6/2018	Li ..... D7/531	
D717,115 S	11/2014	Lane	D820,044 S	6/2018	Jenkins	
D718,577 S *	12/2014	Gonzales ..... D7/531	D820,085 S	6/2018	Moore	
D721,251 S	1/2015	Stamper	D823,537 S	7/2018	Beaver	
D722,476 S	2/2015	Kilduff	D826,641 S	8/2018	Nickley	
D722,830 S	2/2015	Miller	D830,128 S	10/2018	Rohe	
8,960,528 B2	2/2015	Sadlier	D833,820 S	11/2018	Bram	
D724,896 S	3/2015	Williams	D834,881 S	12/2018	Seiders	
D728,313 S	5/2015	Bo	D835,459 S	12/2018	Sedgwick	
D731,240 S	6/2015	Bell	D840,187 S	2/2019	Sams	
D731,241 S	6/2015	Yessin	D841,391 S	2/2019	Pape	
D734,206 S	7/2015	Thuma	D842,027 S	3/2019	Boroski	
D735,528 S	8/2015	Hubert	D842,038 S	3/2019	Seiders	
D740,029 S	10/2015	Otto	D843,212 S	3/2019	Seiders	
D740,073 S	10/2015	Zorovich	D844,383 S	4/2019	Seiders	
D740,612 S	10/2015	Crosby	D846,995 S	4/2019	El Beaini	
D742,173 S	11/2015	Perman	D847,579 S	5/2019	Khan	
D743,269 S	11/2015	Pape	D848,791 S	5/2019	Khayman	
D744,280 S	12/2015	Chiang	10,329,070 B2	6/2019	Wengerd	
D746,701 S	1/2016	Pape	D855,390 S	8/2019	Lullie	
D747,626 S	1/2016	Morris, II	D857,462 S	8/2019	Silsby	
D750,437 S	3/2016	Katterheinrich	D864,645 S	10/2019	Perez	
D750,934 S	3/2016	Kemker	D867,058 S	11/2019	Spivey	
D751,331 S	3/2016	Rashid	10,479,544 B2	11/2019	Crosby	
D752,397 S	3/2016	Seiders	D868,536 S	12/2019	Henkel	
D756,712 S	5/2016	Kushner	D871,844 S	1/2020	Adams, Jr.	
D757,542 S	5/2016	Prum	D871,849 S *	1/2020	Ko ..... D7/530	
D758,793 S	6/2016	Ho	D873,603 S	1/2020	Diener	
D758,859 S	6/2016	Sorensen	D874,216 S	2/2020	Henkel	
D760,586 S	7/2016	Seiders	D876,893 S *	3/2020	Xu ..... D7/510	
D761,054 S	7/2016	Simontov	D877,609 S	3/2020	Elman	
D763,622 S	8/2016	Shirley	D878,932 S	3/2020	Holley, Jr.	
D764,870 S	8/2016	Choi	D882,111 S	4/2020	Bib	
D765,008 S	8/2016	Conrad	D882,334 S	4/2020	Pape	
			D882,339 S	4/2020	Pape	
			D884,472 S	5/2020	Matauch	
			D885,177 S	5/2020	Sevsek	
			D887,774 S	6/2020	Matauch	



(56)

References Cited

OTHER PUBLICATIONS

U.S. PATENT DOCUMENTS

D890,573 S 7/2020 Jacobsen  
 D891,966 S 8/2020 Ames  
 D894,684 S \* 9/2020 Kander ..... D7/531  
 D896,026 S 9/2020 Chu  
 D909,143 S 2/2021 Pisarevsky  
 D911,109 S 2/2021 Johnson  
 D913,046 S 3/2021 Spivey  
 D946,346 S 3/2022 Pape  
 D946,352 S \* 3/2022 Pape ..... D7/509  
 2003/0059500 A1 3/2003 Bailey et al.  
 2003/0076673 A1 4/2003 Diak/Ghanem  
 2006/0177159 A1 8/2006 Aikenhead  
 2007/0272650 A1 11/2007 Kishi et al.  
 2008/0006643 A1 1/2008 Ma  
 2008/0073343 A1 3/2008 Shadrach et al.  
 2008/0073347 A1 3/2008 Shadrach  
 2009/0283526 A1 11/2009 Pierce  
 2010/0200590 A1 8/2010 Shadrach, III et al.  
 2010/0288782 A1 11/2010 Lin  
 2011/0198352 A1 8/2011 Lown  
 2012/0000369 A1 1/2012 Saitoh et al.  
 2012/0205371 A1 8/2012 Lee  
 2012/0247998 A1 10/2012 Wahl  
 2012/0312816 A1 12/2012 Barreto et al.  
 2013/0320013 A1 12/2013 Bratsch  
 2013/0334166 A1 12/2013 Garipalli  
 2014/0061208 A1 3/2014 Boyd  
 2014/0102965 A1 4/2014 Jones  
 2015/0083791 A1 \* 3/2015 Gonzalez ..... B65D 3/06  
 29/428  
 2015/0374151 A1 12/2015 Lin  
 2016/0058227 A1 3/2016 Albers  
 2016/0100702 A1 4/2016 Albers  
 2016/0137332 A1 5/2016 Crosby  
 2016/0198875 A1 \* 7/2016 Mithal ..... A47G 19/2272  
 156/69  
 2017/0055743 A1 3/2017 Jorge  
 2017/0071394 A1 3/2017 Numata  
 2017/0101209 A1 4/2017 Viedt  
 2017/0251850 A1 9/2017 Coon  
 2017/0253392 A1 9/2017 Bann  
 2017/0273484 A1 9/2017 Spivey  
 2018/0050925 A1 2/2018 Gregory  
 2018/0134520 A1 5/2018 Mikkonen et al.  
 2018/0194520 A1 7/2018 Lovern  
 2018/0257853 A1 9/2018 Chuang  
 2019/0029460 A1 1/2019 Cohen  
 2019/0313837 A1 10/2019 Wu  
 2021/0282587 A1 \* 9/2021 Maskell ..... A47J 36/2472  
 2021/0289966 A1 \* 9/2021 Chuang ..... C08L 3/02  
 2021/0289987 A1 9/2021 Maskell  
 2021/0361053 A1 \* 11/2021 Stewart-Stand ..... A47G 19/22

FOREIGN PATENT DOCUMENTS

CN 306668206 \* 7/2021  
 CN 306800309 \* 9/2021  
 CN 307039518 \* 12/2021  
 CN 307286194 \* 4/2022  
 JP 61227053 10/1986  
 KR 301042237.0000 1/2020

Green Distributors [online] URL: <https://thegreendistributors.com/products/large-coffee-cup-zero-waste-mug> (site visited: Jun. 30, 2022) (Year: 2022).\*

L'ifeager [online] URL: <https://www.amazon.com/Lifeager-Toughened-Dishwasher-Microwave-Christmas/dp/BOBN1DVVBM> (site visited: Jun. 30, 2022) (Year: 2020).\*

Diminish [online] URL: <https://www.diminish.com.au/products/onya-reusable-travel-coffee-cup?variant=38825400533177> (site visited: Jun. 30, 2022) (Year: 2020).\*

“Tervis Lids”, retrieved from <http://www.tervis.com/designs/Accessories/Travel-lids/dc0fe00377e0ec722da5bd146541427c#!upc093597437694&upc093597240386> on Sep. 10, 2015.”

Kaffeeform—Reusable Weducer Cup [online] URL: <https://www.kaffeeform.com/en/shop/weducer-cup/> (site visited: Aug. 2021) (Year: 2020).

[https://www.amazon.com/dp/B081B8LV77/ref=cm\\_sw\\_em\\_r\\_mt\\_dp\\_3q4.FbPY3ZKQF?\\_encoding=UTF8&psc=1](https://www.amazon.com/dp/B081B8LV77/ref=cm_sw_em_r_mt_dp_3q4.FbPY3ZKQF?_encoding=UTF8&psc=1) (year: 2019).

[https://www.amazon.com/MAGEDON-Carrier-handheld-Running-jogging/dp/B07FMTQ5Y2/ref=sr\\_1\\_25?dchild=1&keywords=thermos+bottle+with+handle&qid=1621704019&sr=8-25](https://www.amazon.com/MAGEDON-Carrier-handheld-Running-jogging/dp/B07FMTQ5Y2/ref=sr_1_25?dchild=1&keywords=thermos+bottle+with+handle&qid=1621704019&sr=8-25) (year:2019).

[https://www.amazon.com/Simple-Modern-Classic-Tumbler-Straw/dp/B07D4BNCCM/ref=sr\\_1\\_16?dchild=1&keywords=lid+with+removable+straw&qid=1630612378&sr=8-16](https://www.amazon.com/Simple-Modern-Classic-Tumbler-Straw/dp/B07D4BNCCM/ref=sr_1_16?dchild=1&keywords=lid+with+removable+straw&qid=1630612378&sr=8-16) Simple Modern (Year: 2018).

Tronco 20oz Glass Tumbler Straw Silicone Protective Sleeve Bamboo Lid—BPA free [https://www.amazon.com/dp/B07H3SNFQN/ref=cm\\_sw\\_em\\_r\\_mt\\_dp\\_M87K7J1FQGEJ597A46AC?\\_encoding=UTF8&psc=1](https://www.amazon.com/dp/B07H3SNFQN/ref=cm_sw_em_r_mt_dp_M87K7J1FQGEJ597A46AC?_encoding=UTF8&psc=1) (year:2017).

MCM Ribbed Tumbler \_Etsy [online] URL: <https://www.etsy.com/listing/902531336/mcm-ribbed-tumblerdrinking-glass?> (site visited: Feb. 2021) (Year: 2000).

Photo of a takeaway disposable paper co [online] URL: <https://www.alamy.com/stock-photo-photo-of-a-takeaway-disposable-paper-coffee-cup-on-a-background-of-48109339.html?> (site visited: Aug. 2021) (Year: 2012).

Huskee Cup and Lid [online] URL: <https://www.amazon.com/Huskee-Cup-Lid-Natural-12oz/dp/B07XGKMKT7/> (site visited: Aug. 2021) (Year: 2019).

16oz Ripple—Wrap™ Hot Cup \_Cups & Cup Accessories [online] URL: <https://www.detpak.com/detpak/cups-cup-accessories/ripple-wrap-hot-cups/r292s0001/> (site visited: Aug. 2021) (Year: 2021).

On De Vase Natural or Mist White Minimalist wooden vase \_Etsy [online] URL: <https://www.etsy.com/listing/1037014647/onde-vase-natural-or-mist-white?> (site visited: Aug. 2021) (Year: 2021).

Pack of 8 Coffee Cups With Lids [online] URL: <https://www.therange.co.uk/cooking-and-dining/outdoor-dining/> (site visited: Aug. 2021) (Year: 2021).

Patient Cups Plastic Ribbed 5oz Lavender 1 000\_case [online] URL: <https://www.dhpsupply.com/item/630-9210/Patient-Cups-Plastic-Ribbed/> (site visited: Aug. 2021) (Year: 2021).

Pleated Vacuum Cleaner Air Filter Cartridge PTFE Material 0112311 Model [online] URL: <https://www.cartridgefilterelement.com/sale-11508762-pleatedvacuum-cleaner-air-filter-cartridge-ptfe-material-0112311-model.html> (site visited: Aug. 2021) (Year: 2021).

Ripple Cups, Ripple Coffee Cups, Ripple Paper Cups in Stock—U Line [online] URL: [https://www.uline.com/BL\\_594/Uline-Ripple-Insulated-Cups](https://www.uline.com/BL_594/Uline-Ripple-Insulated-Cups) (site visited: Aug. 2021) (Year: 2020).

\* cited by examiner

FIG. 1

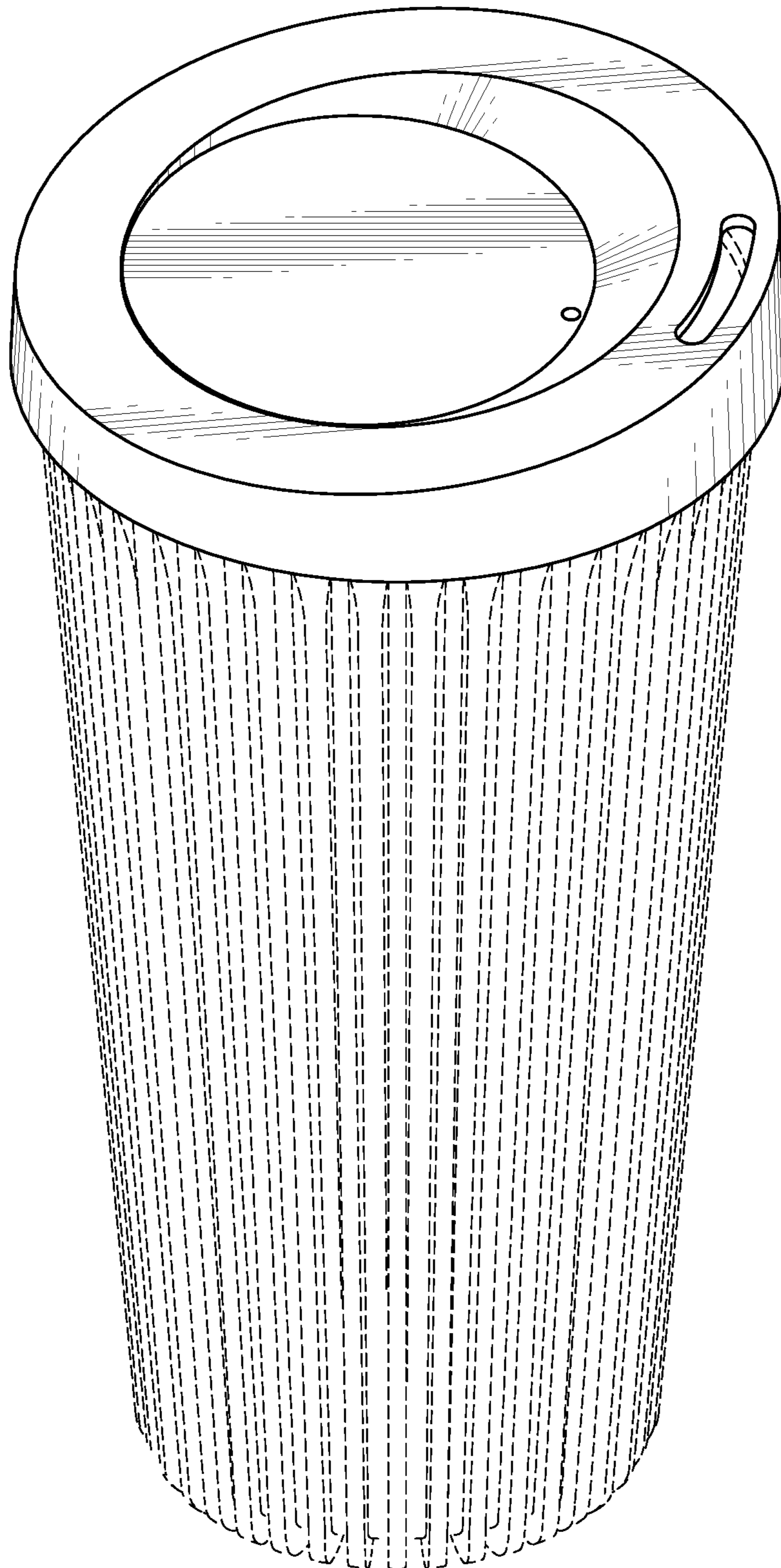


FIG. 2

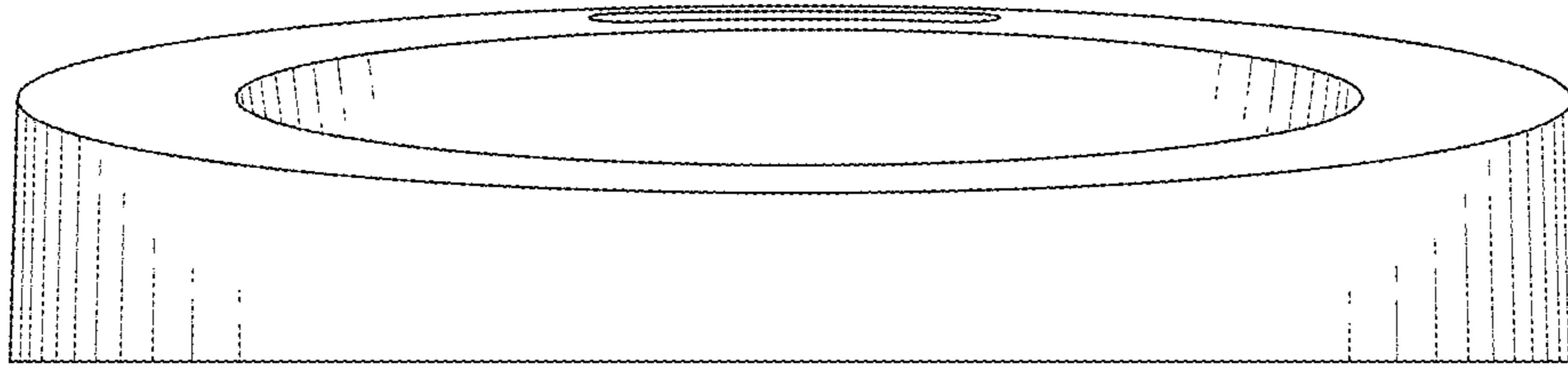


FIG. 3

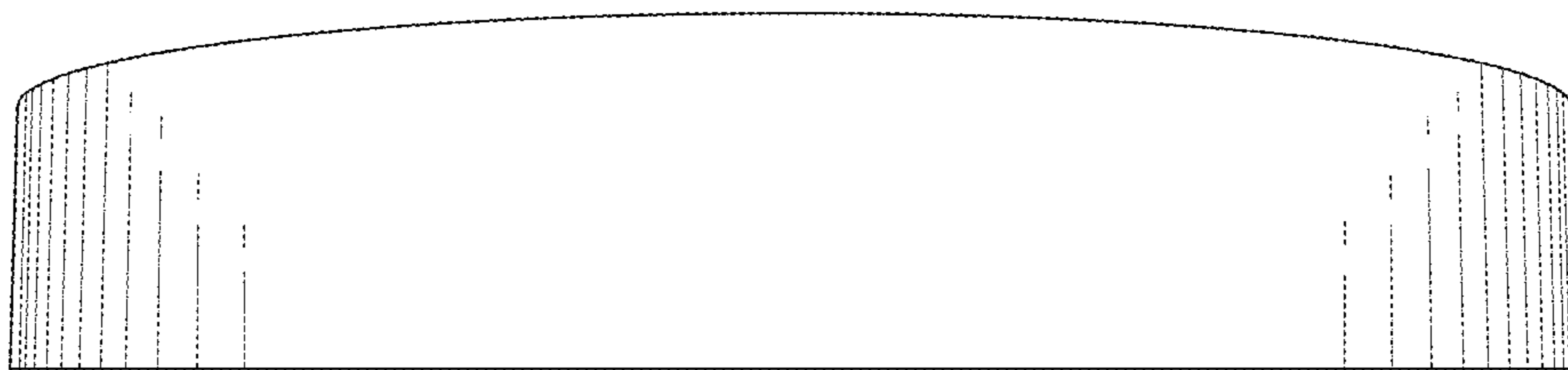


FIG. 4

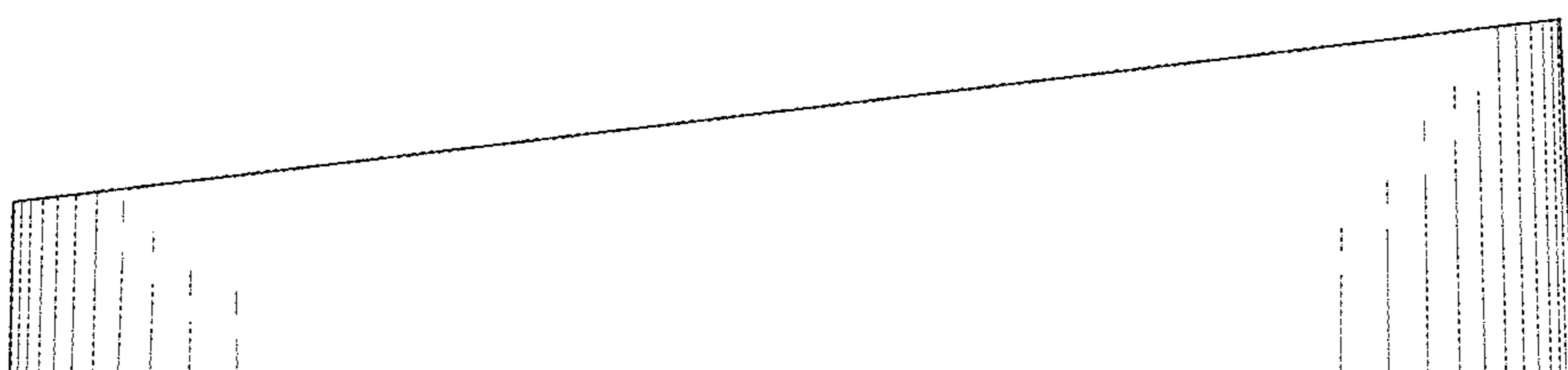


FIG. 5

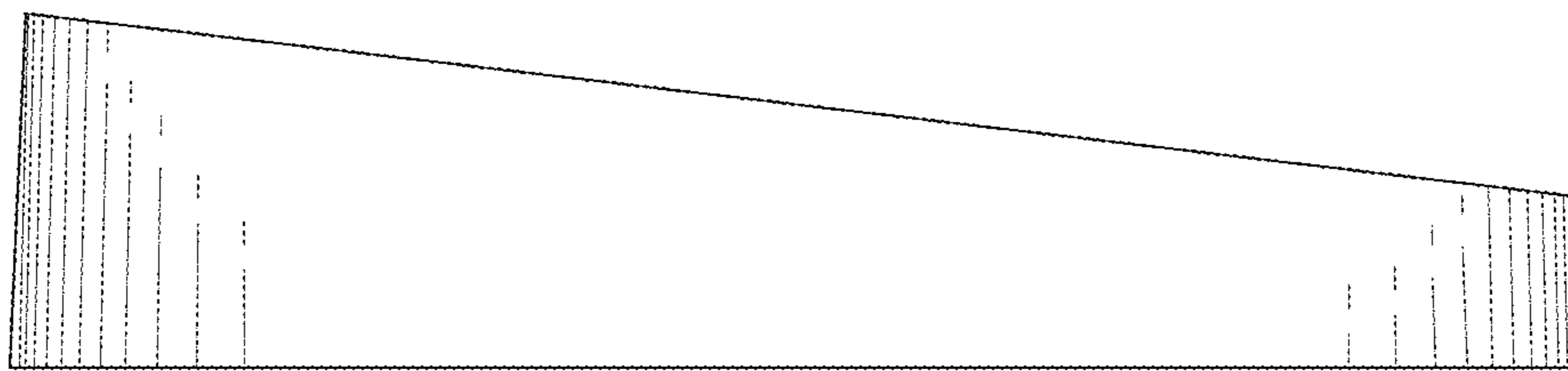




FIG. 6

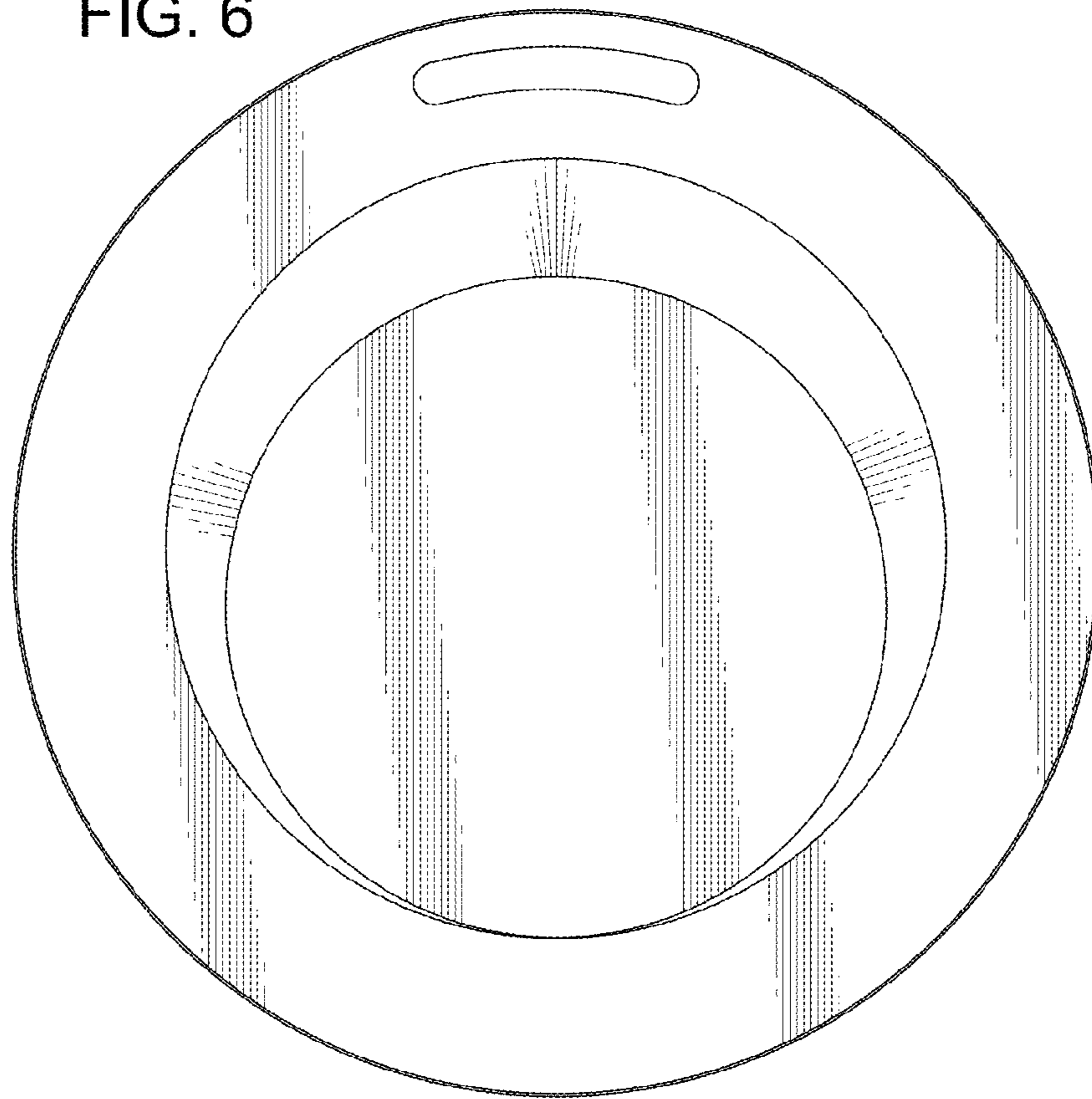


FIG. 7

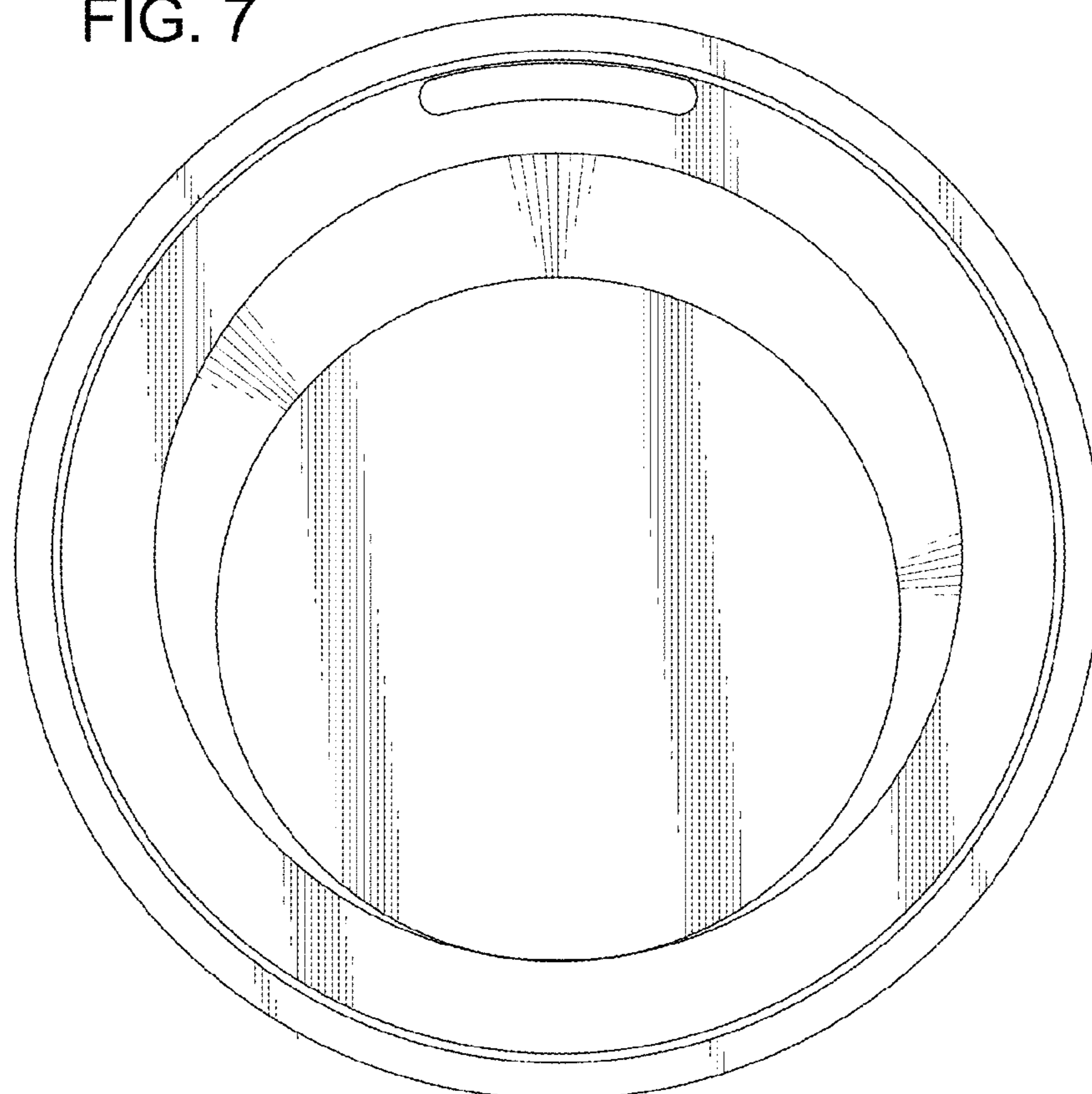


FIG. 8

