



US00D982384S

(12) **United States Design Patent**
Ni et al.

(10) **Patent No.:** **US D982,384 S**
(45) **Date of Patent:** **** Apr. 4, 2023**

(54) **NOODLE MAKER**

(71) Applicant: **DONGGUAN ZHEN ZHONG KANG
PRECISION TRANSMISSION
TECHNOLOGY CO., LTD**, Dongguan
(CN)

(72) Inventors: **Tangrong Ni**, Dongguan (CN);
Jinxiang Xie, Dongguan (CN);
Zhenhai Xie, Dongguan (CN)

(73) Assignee: **DONGGUAN ZHEN ZHONG KANG
PRECISION TRANSMISSION
TECHNOLOGY CO., LTD**, Dongguan
(CN)

(**) Term: **15 Years**

(21) Appl. No.: **29/787,431**

(22) Filed: **Jun. 7, 2021**

(51) **LOC (14) Cl.** **31-00**

(52) **U.S. Cl.**
USPC **D7/412**

(58) **Field of Classification Search**
USPC D7/387, 368, 381, 412, 669, 672-678
CPC A21C 1/06; A21C 1/065; A21C 1/144;
A21C 3/02; A21C 3/04; A21C 11/16;
A21C 11/22; A21C 11/24
See application file for complete search history.

(56) **References Cited**

U.S. PATENT DOCUMENTS

D376,725 S *	12/1996	Kang	D7/376
D551,493 S *	9/2007	Marcato	D7/381
D790,917 S *	7/2017	Benoit	D7/412
D906,051 S *	12/2020	Xie	D7/412
D910,374 S *	2/2021	Bin	D7/412
D931,040 S *	9/2021	Zhan	D7/381
D939,892 S *	1/2022	He	D7/412
D945,817 S *	3/2022	Chen	D7/381

D951,697 S *	5/2022	Ni	D7/381
D966,813 S *	10/2022	Ni	D7/412
2021/0153510 A1*	5/2021	Chen	A21C 11/24

OTHER PUBLICATIONS

Antree Pasta Maker Attachment 3 in 1 Set for KitchenAid Stand Mixers, first available Nov. 22, 2019, Amazon, [online], [site visited Jan. 26, 2023], Available from internet URL: <https://www.amazon.com/dp/B081WXXKNGC> (Year: 2019).*

Newssets Pasta Maker Attachment for Kitchenaid Mixers, first available Jan. 27, 2021, Amazon, [online], [site visited Jan. 26, 2023], Available from internet URL: <https://www.amazon.com/Attachment-KitchenAid-Fettuccine-Spaghetti-Accessories/dp/B08V527YVD> (Year: 2021).*

* cited by examiner

Primary Examiner — Mary Ann Calabrese

Assistant Examiner — Natalya M Rapundalo

(74) *Attorney, Agent, or Firm* — Westbridge IP LLC

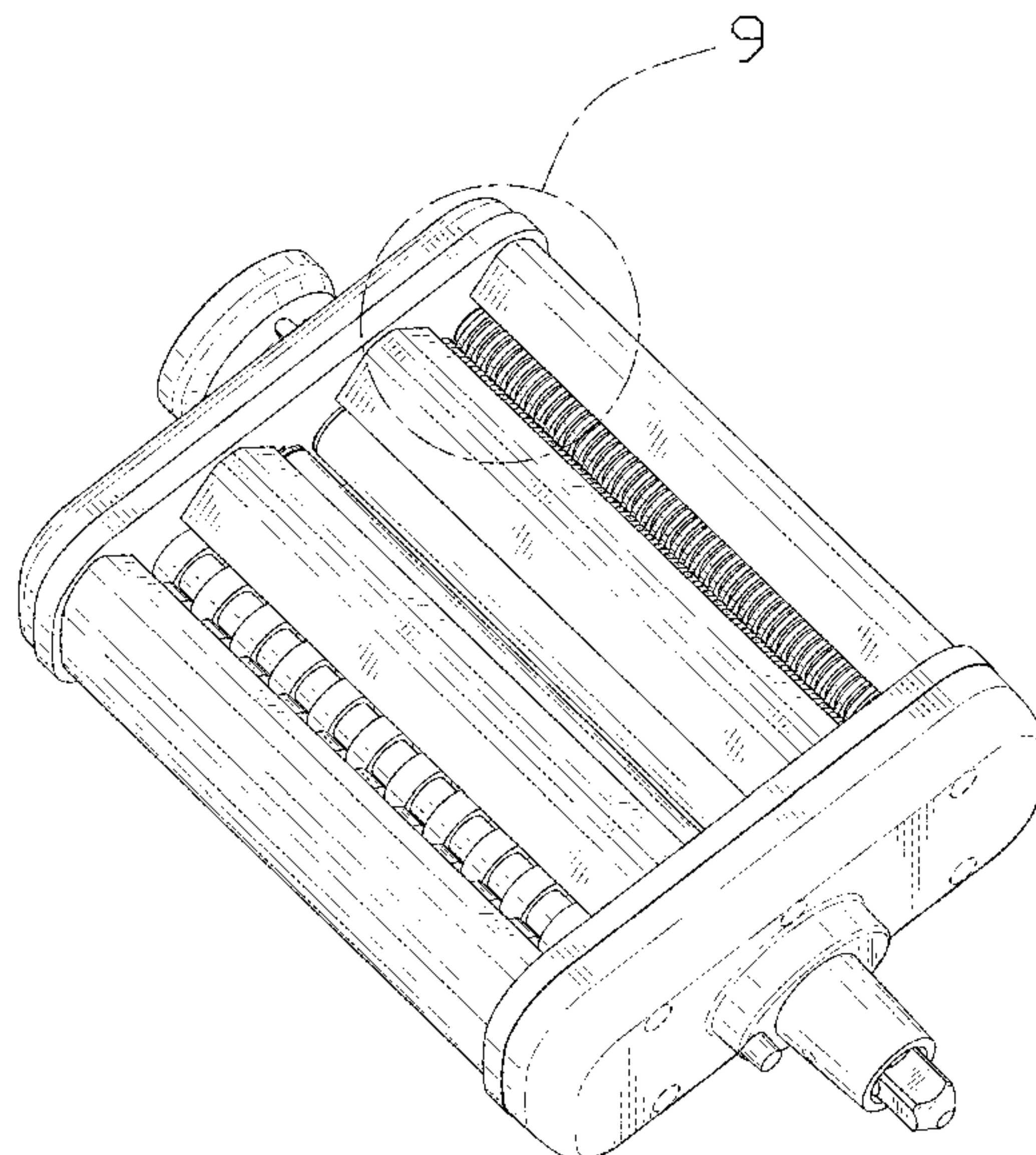
(57) **CLAIM**

The ornamental design for a noodle maker, as shown and described.

DESCRIPTION

FIG. 1 is a top, front and right side perspective view of a noodle maker showing our new design;
FIG. 2 is a bottom, rear and left side perspective view thereof;
FIG. 3 is a front elevation view thereof;
FIG. 4 is a rear elevation view thereof;
FIG. 5 is a left side elevation view thereof;
FIG. 6 is a right side elevation view thereof;
FIG. 7 is a top plan view thereof;
FIG. 8 is a bottom plan view thereof; and,
FIG. 9 is an enlarged view of portion 9 in FIG. 1.
The evenly dashed broken lines in the drawings illustrate portions of the article that form no part of the claimed design.

1 Claim, 9 Drawing Sheets



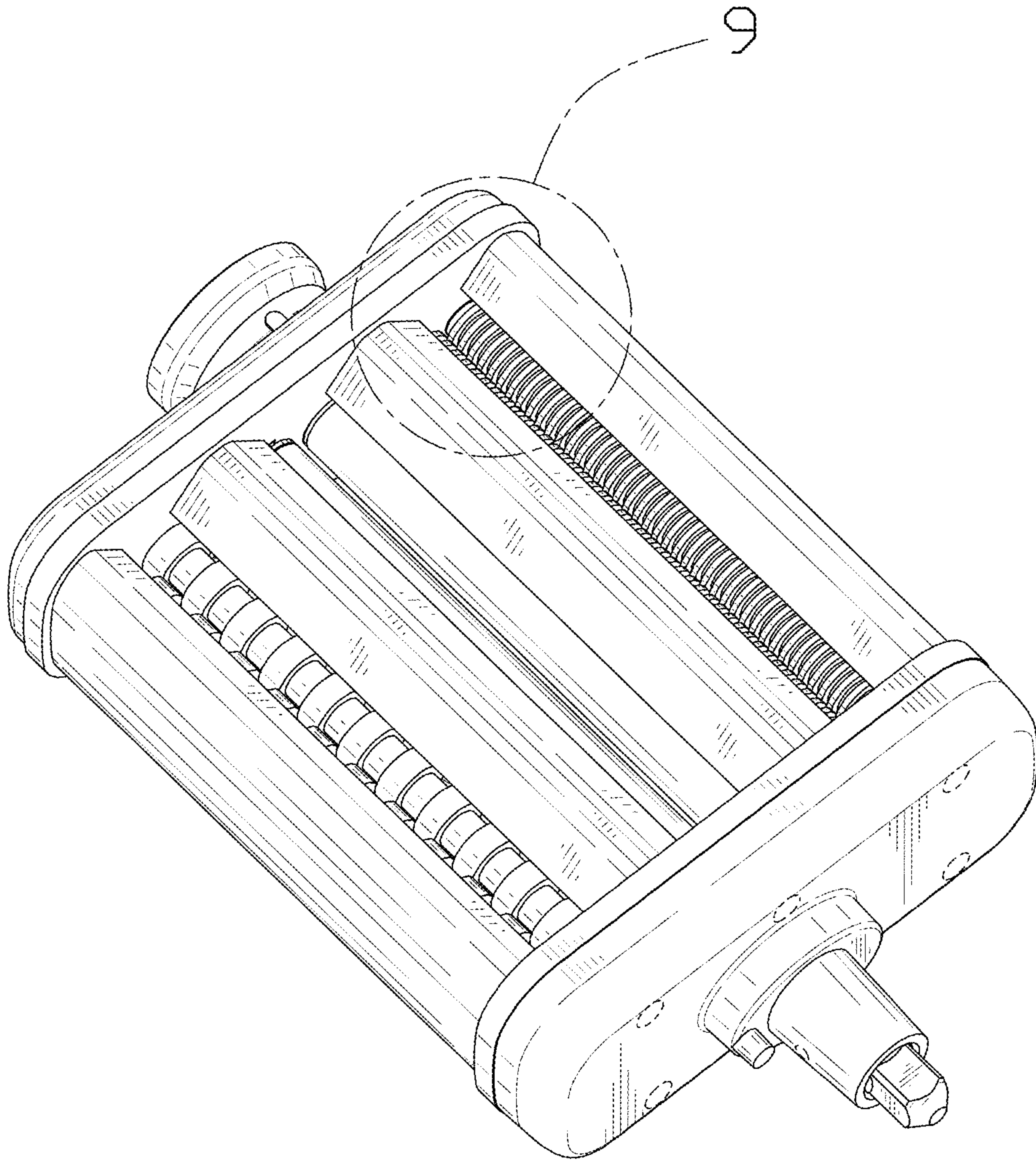


FIG. 1

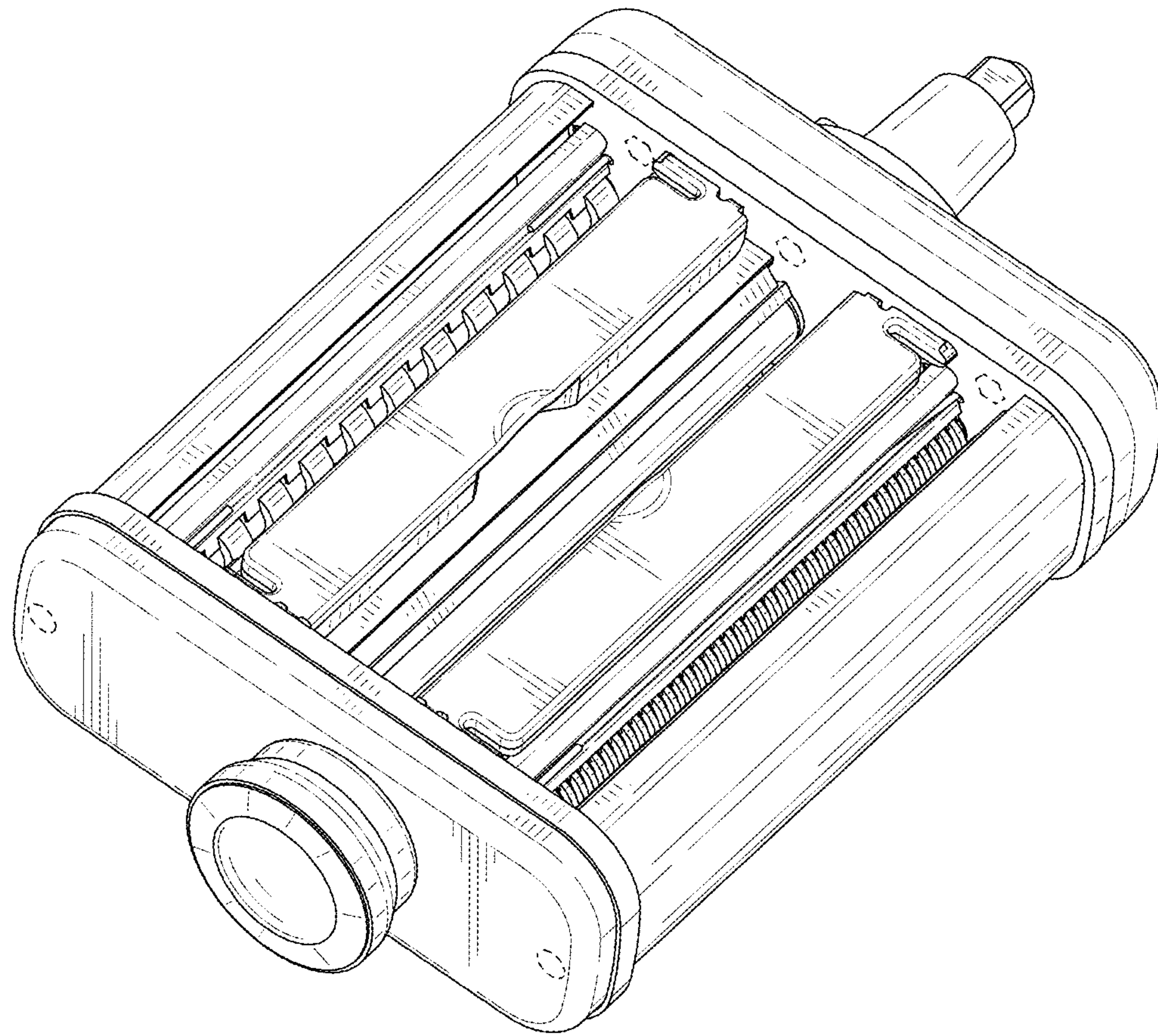


FIG. 2

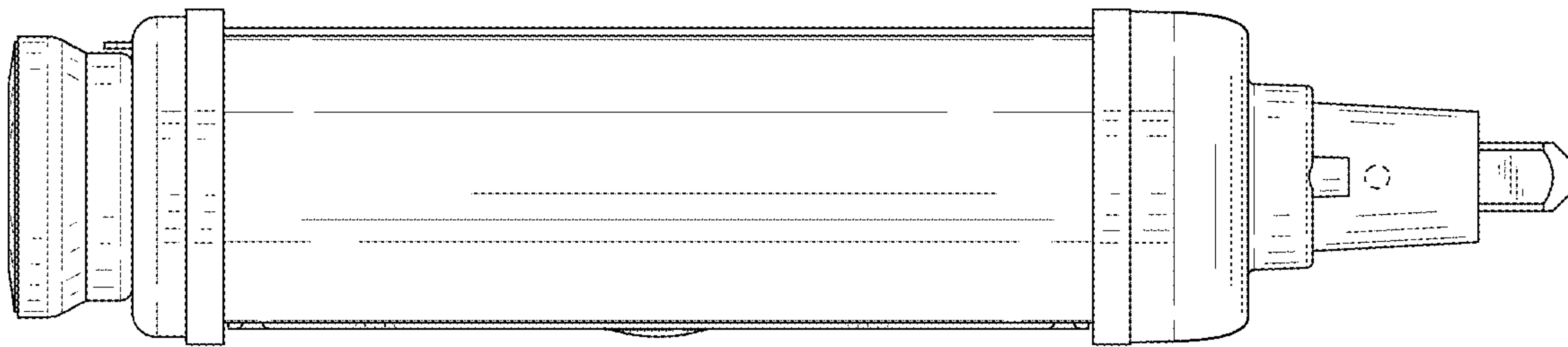


FIG. 3

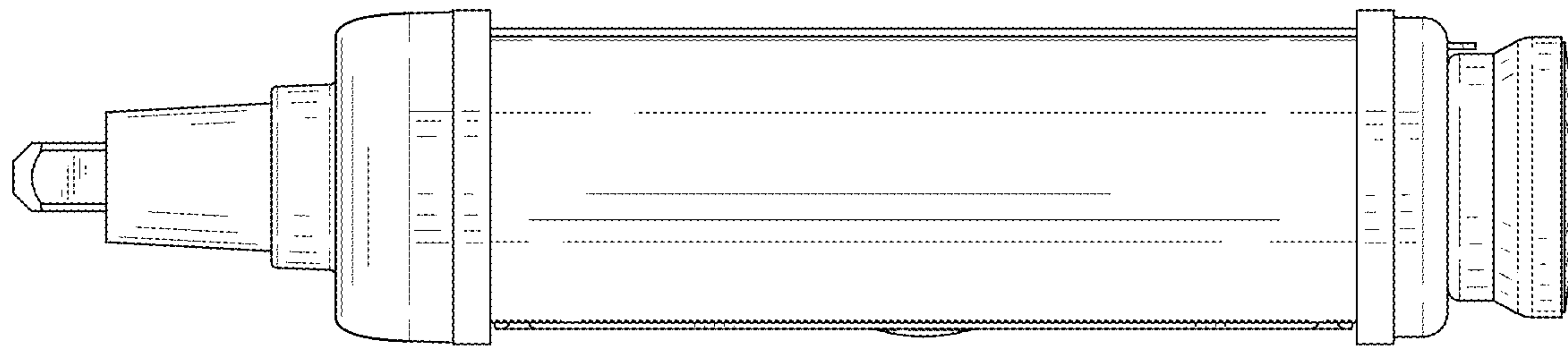


FIG. 4

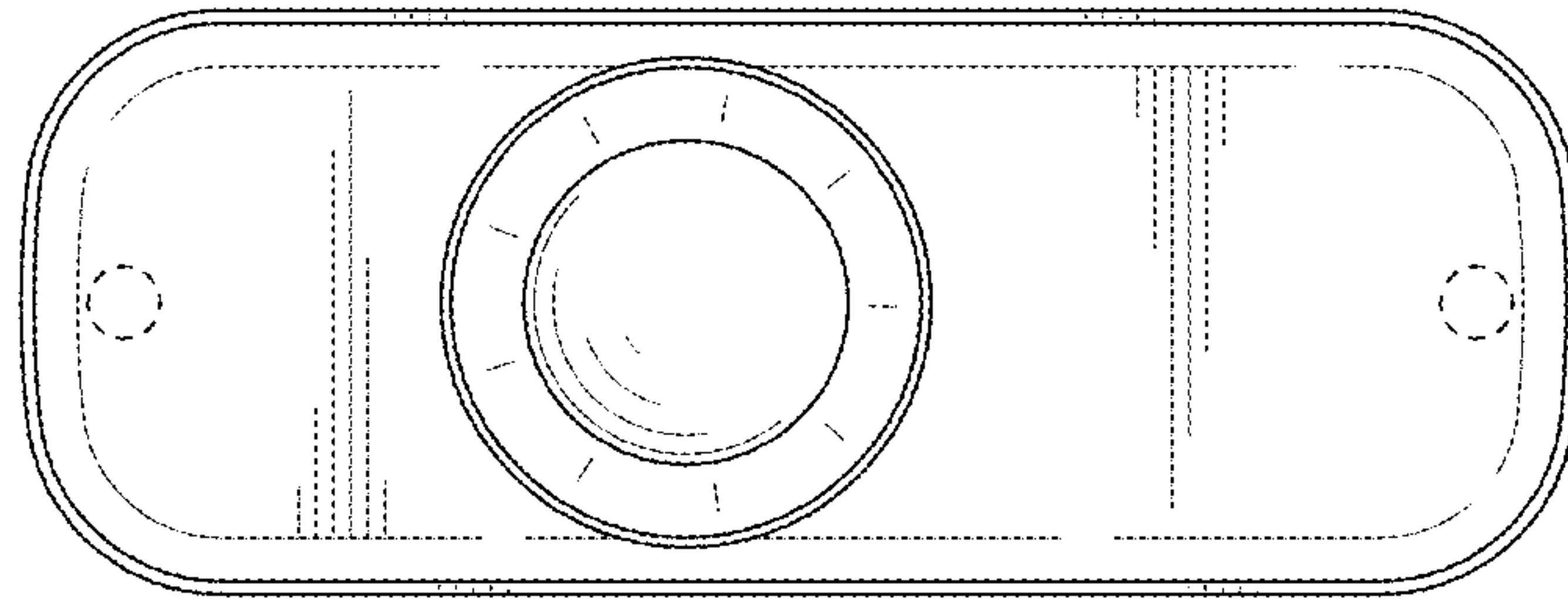


FIG. 5

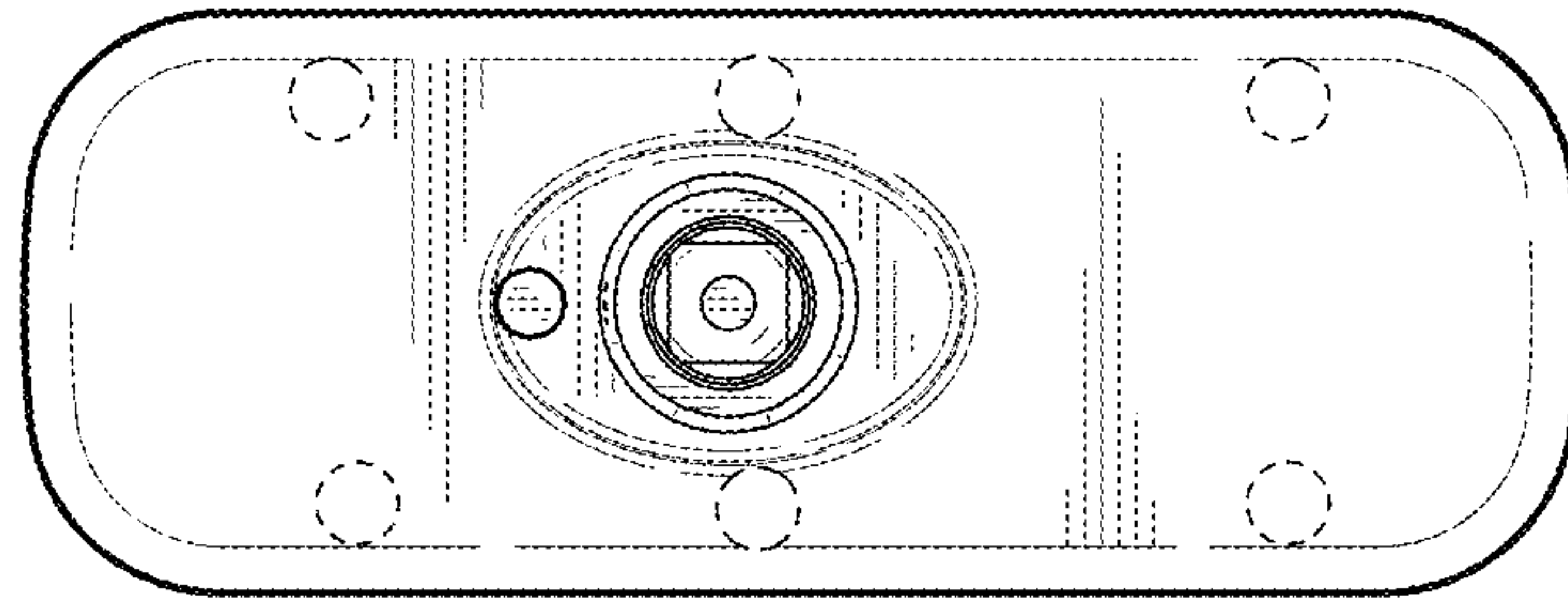


FIG. 6

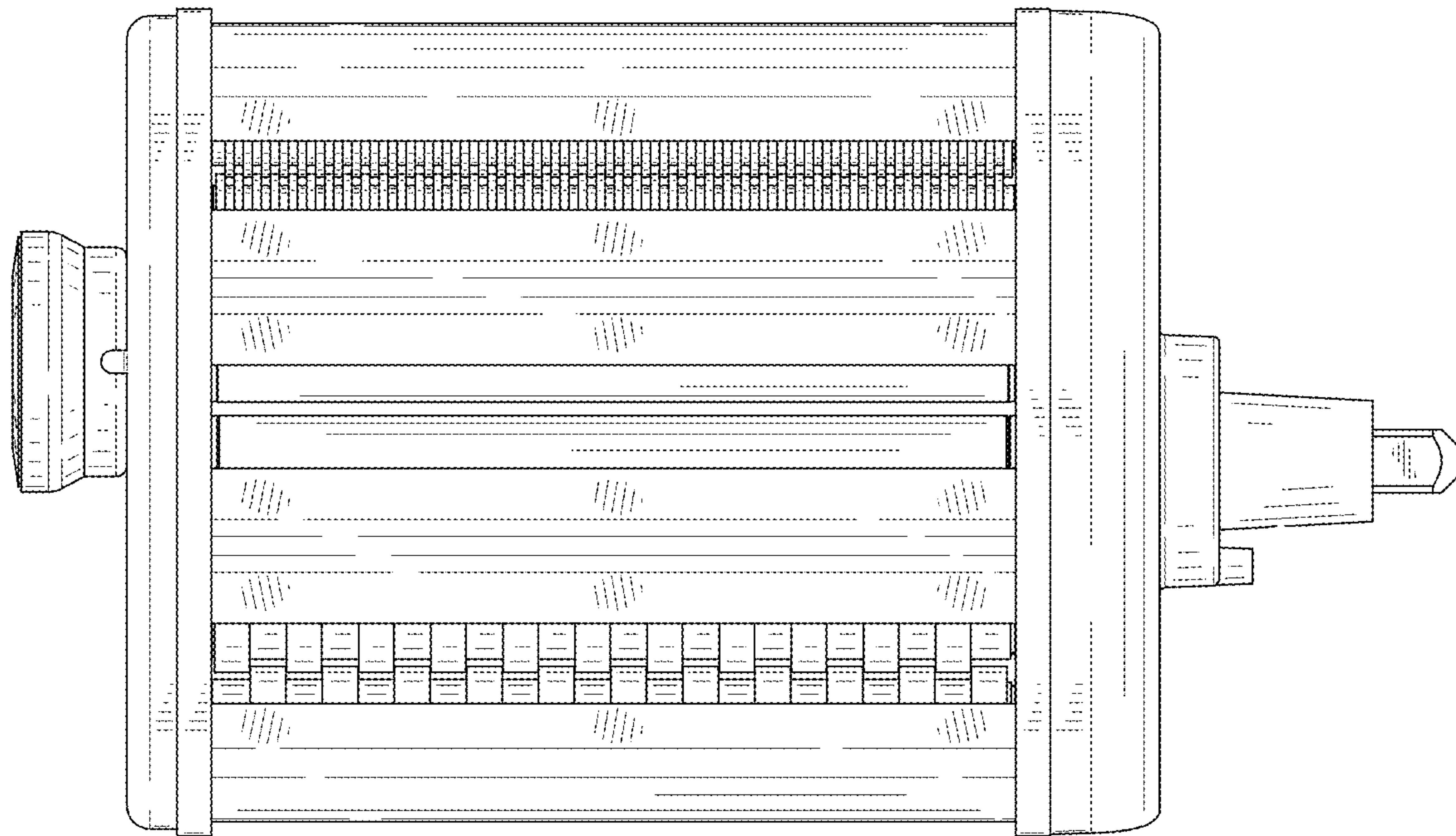


FIG. 7

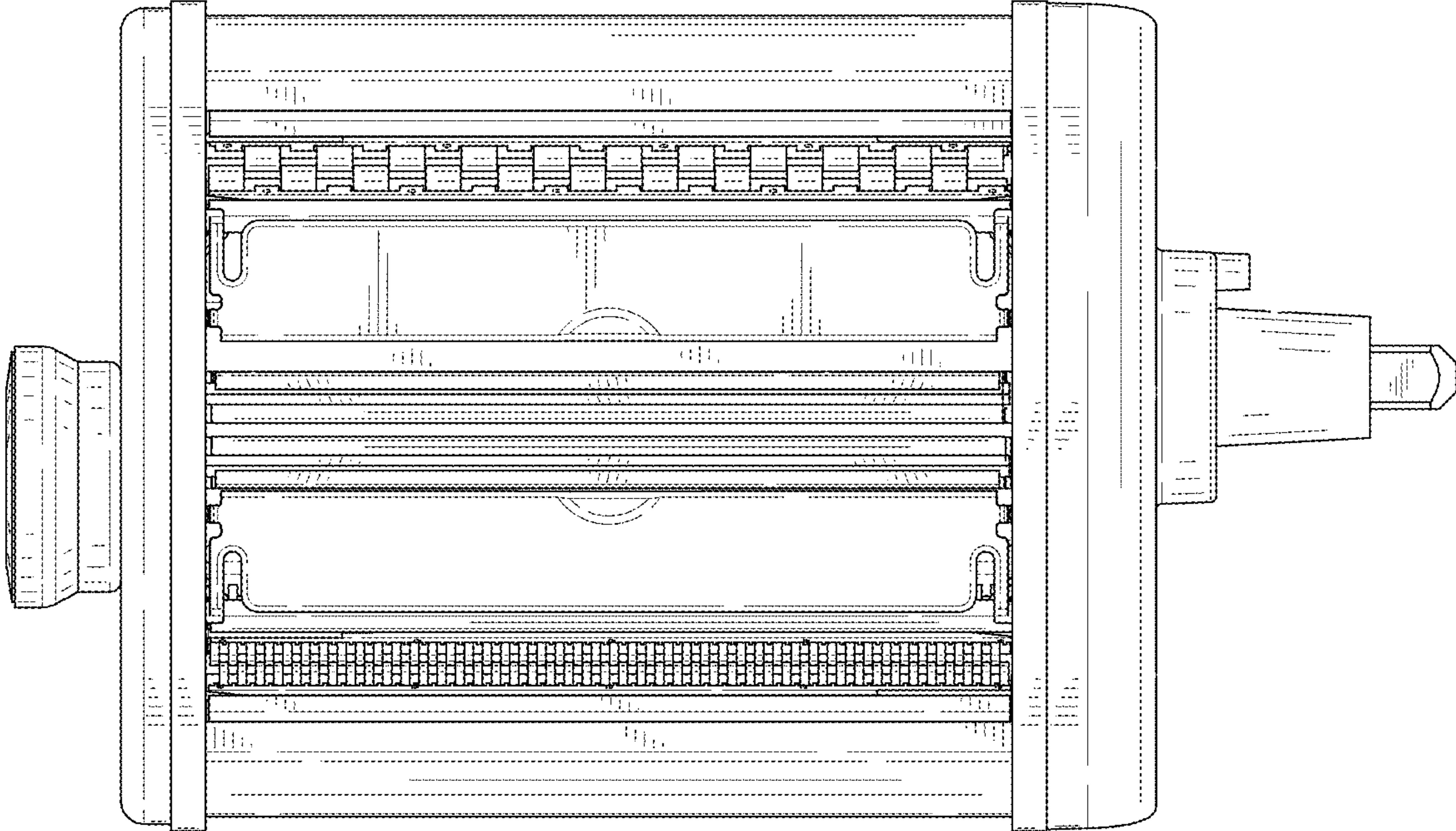


FIG. 8

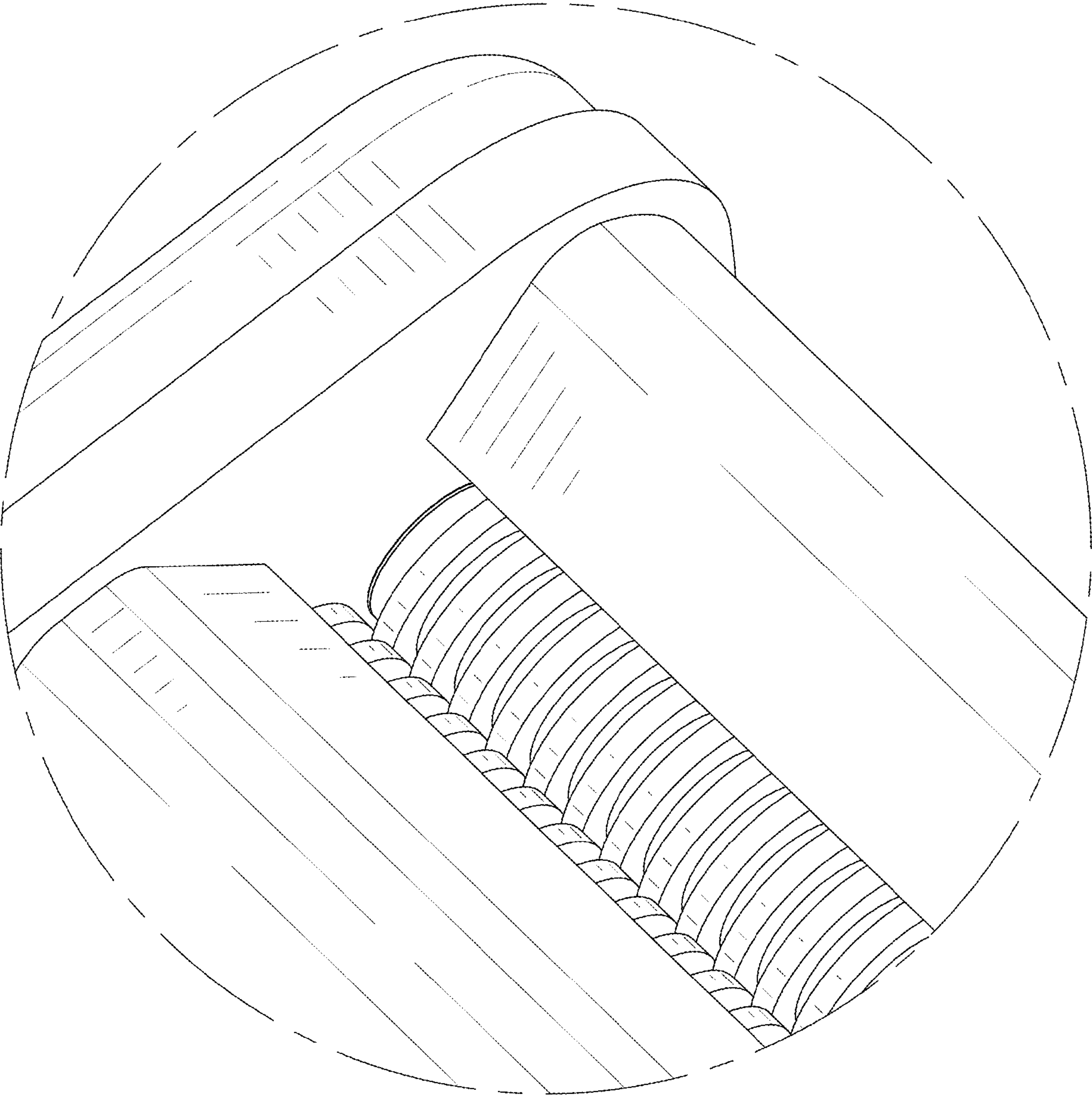


FIG. 9