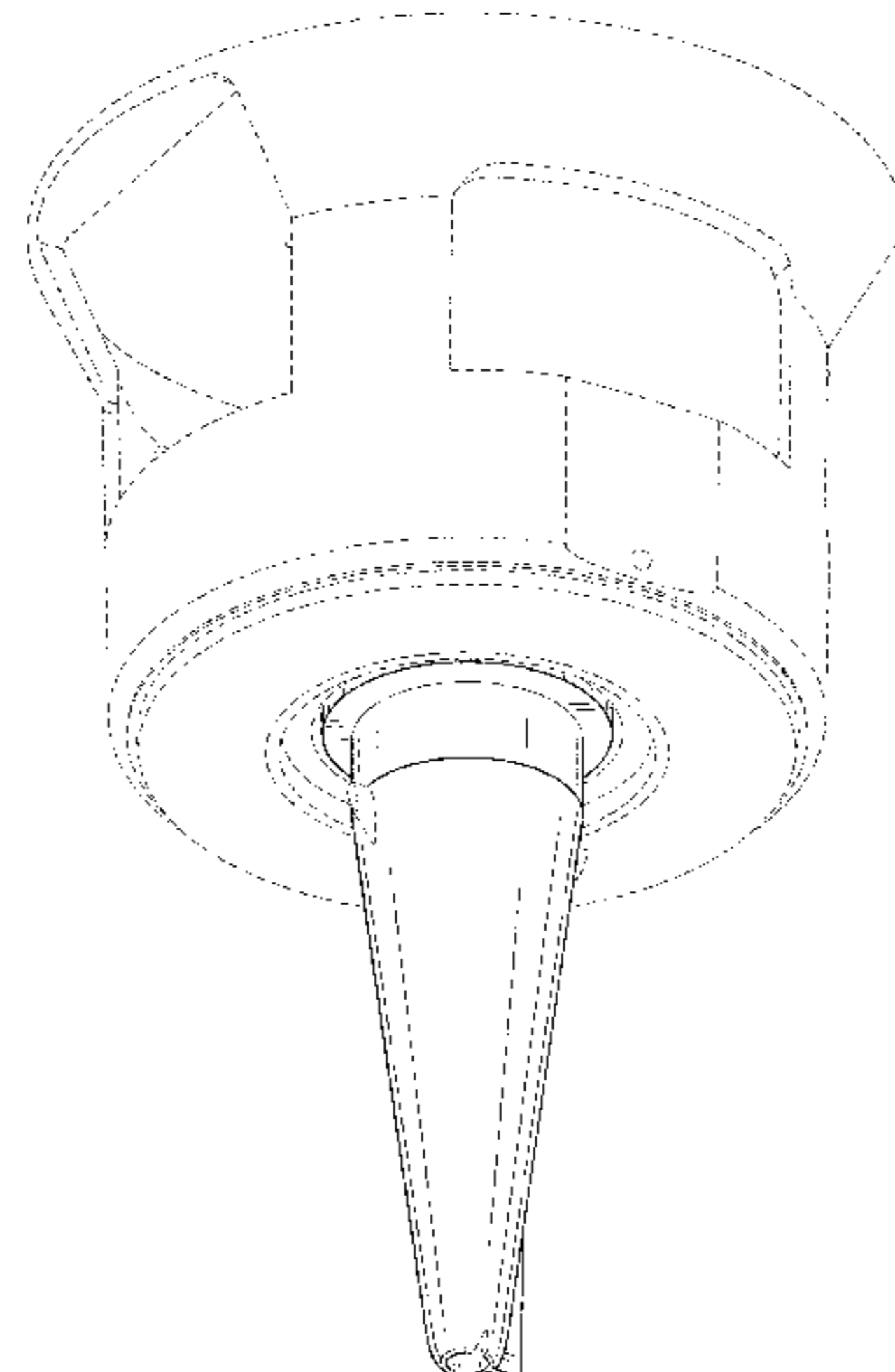




US00D982382S

(12) **United States Design Patent** (10) **Patent No.:** **US D982,382 S**  
**Fedorka et al.** (45) **Date of Patent:** **\*\* Apr. 4, 2023**

- (54) **NOZZLE FOR A BEVERAGE MACHINE** 1,649,755 A \* 11/1927 Thompson ..... A47J 19/02  
100/108
- (71) Applicant: **BEDFORD SYSTEMS LLC**, Bedford, MA (US) 2,537,119 A 1/1951 Bauerlein et al.  
3,091,366 A 5/1963 Hutsell  
3,217,931 A 11/1965 Farrar et al.  
3,373,937 A 3/1968 Yuza  
3,396,871 A 8/1968 McCann  
3,455,332 A 7/1969 Cornelius  
3,580,425 A 5/1971 DeMan  
3,643,688 A 2/1972 Meinert  
3,727,844 A 4/1973 Bencic  
4,218,014 A 8/1980 Tracy
- (72) Inventors: **Thomas Fedorka**, Bedford, MA (US);  
**Andrew Briggs**, Bedford, MA (US);  
**Taylor Kazanova**, Bedford, MA (US)
- (73) Assignee: **BEDFORD SYSTEMS LLC**, Bedford, MA (US) D260,243 S \* 8/1981 Dogliotti ..... D7/400  
4,509,690 A 4/1985 Austin et al.  
D279,068 S \* 6/1985 Burin ..... D7/312  
D289,682 S \* 5/1987 Dragan ..... D24/112  
4,708,266 A 11/1987 Rudick  
4,753,370 A 6/1988 Rudick  
4,986,447 A 1/1991 McCann et al.  
5,000,351 A 3/1991 Rudick  
5,033,651 A 7/1991 Whigham et al.  
5,048,726 A 9/1991 McCann et al.  
5,129,549 A 7/1992 Austin  
5,186,363 A 2/1993 Haynes  
5,203,474 A 4/1993 Haynes  
5,228,597 A 7/1993 Low  
D354,898 S \* 1/1995 Nagy ..... A47J 19/02  
D19/37  
D372,792 S \* 8/1996 Haas ..... D1/118  
D377,891 S \* 2/1997 Bencich ..... D8/14.1  
D378,559 S \* 3/1997 Gudfin ..... D7/309  
5,649,644 A 7/1997 Hashimoto et al.  
D393,048 S \* 3/1998 Hearvey ..... D23/213  
5,803,320 A 9/1998 Cutting et al.  
6,047,859 A 4/2000 Schroeder et al.  
6,173,862 B1 1/2001 Buca et al.  
6,253,963 B1 7/2001 Tachibana  
D447,949 S 9/2001 Richardson  
6,401,197 B1 6/2002 Kondo  
6,401,981 B1 6/2002 McCann et al.  
6,983,863 B2 1/2006 Santy  
D535,721 S \* 1/2007 Ford ..... D23/213  
7,178,699 B2 2/2007 Spray et al.  
D545,218 S \* 6/2007 Rushe ..... D9/724  
D560,965 S 2/2008 Sommerfield  
D646,134 S \* 10/2011 Lian ..... D8/14.1  
8,074,825 B1 12/2011 Ziegler  
8,083,100 B2 12/2011 Minard et al.  
8,113,386 B2 2/2012 Herrick et al.  
D657,637 S \* 4/2012 Gascoine ..... D7/700  
8,162,177 B2 4/2012 Ziesel  
8,162,181 B2 4/2012 Carpenter et al.  
8,453,879 B2 6/2013 Carpenter et al.
- (73) Assignee: **BEDFORD SYSTEMS LLC**, Bedford, MA (US)
- (\*\*) Term: **15 Years**
- (21) Appl. No.: **29/728,753**
- (22) Filed: **Mar. 20, 2020**
- (51) **LOC (14) Cl.** ..... **31-00**
- (52) **U.S. Cl.**  
USPC ..... **D7/398**
- (58) **Field of Classification Search**  
USPC ..... D7/300-322, 368, 387, 397-400, 412,  
D7/665, 666, 700; D3/29, 207, 208, 211;  
D6/541, 542, 545; D8/2, 14.1; D9/435,  
D9/440, 447, 448, 724; D11/70, 116;  
D20/10, 16, 21, 41  
CPC .. A47J 31/00; A47J 31/36; A47J 31/44; A47J  
31/4407; A47J 31/46; A47J 31/461; A47J  
31/468; A47J 31/4485; A47J 31/4489;  
A47J 31/52; B67D 1/00; B67D 1/0003;  
B67D 1/0005; B67D 1/0006; B67D  
1/0042; B67D 1/0057; B67D 1/0081;  
B67D 1/0872; B67D 2001/0088; B67D  
2001/0093; B67D 2001/0094  
See application file for complete search history.
- (56) **References Cited**  
U.S. PATENT DOCUMENTS  
27,112 A 2/1860 Daniels  
884,761 A \* 4/1908 Richard ..... B65D 47/265  
222/542  
1,261,986 A 4/1918 White



D694,055	S	11/2013	Hirst	
8,678,247	B2	3/2014	Haskayne et al.	
8,807,393	B2	8/2014	Carpenter et al.	
8,820,580	B2	9/2014	Ziesel	
D736,556	S *	8/2015	Read .....	D7/368
9,272,817	B2	3/2016	Becker et al.	
D763,936	S *	8/2016	Ruffin, Jr. ....	D15/150
9,434,594	B2	9/2016	Kaneko et al.	
D796,001	S	8/2017	Carroll	
9,745,186	B2	8/2017	Hecht	
9,936,834	B2	4/2018	Novak et al.	
10,017,372	B2	7/2018	Bethuy et al.	
10,071,899	B2	9/2018	Mastro et al.	
D833,194	S *	11/2018	Ladjavardi .....	D7/300.2
D833,195	S	11/2018	McDonald et al.	
10,442,671	B2	10/2019	Hecht et al.	
10,507,479	B2	12/2019	Bertness et al.	
D875,257	S	2/2020	Berkely	
D899,250	S *	10/2020	Yang .....	D9/440
D912,511	S *	3/2021	Berry .....	B01F 3/0446
				D9/436
D920,111	S *	5/2021	Bennitt .....	D9/449
11,053,110	B2	7/2021	Lazatin et al.	
D964,100	S *	9/2022	Yang .....	D7/700
2004/0040983	A1	3/2004	Ziesel	
2005/0045655	A1	3/2005	Santy	
2005/0072799	A1	4/2005	Stratton	
2006/0016347	A1	1/2006	Girard et al.	
2006/0196886	A1	9/2006	Fox	
2006/0237479	A1	10/2006	Fox	
2009/0230149	A1	9/2009	Smeller et al.	
2013/0255505	A1 *	10/2013	Verbicky .....	B01F 3/0446
				99/323.1
2013/0340626	A1	12/2013	Oh	
2014/0209629	A1	7/2014	Gates	
2015/0238045	A1	8/2015	Hansen et al.	
2017/0158483	A1	6/2017	Gatipon et al.	
2017/0233234	A1	8/2017	Hecht et al.	
2018/0282143	A1	10/2018	Chang et al.	
2019/0112176	A1	4/2019	Sevcik et al.	
2019/0292032	A1	9/2019	Lazatin et al.	
2019/0359467	A1	11/2019	Ferro	
2020/0128852	A1	4/2020	Popov et al.	
2020/0180931	A1	6/2020	Crackel et al.	
2021/0252534	A1	8/2021	Eboigbodin et al.	
2021/0292152	A1 *	9/2021	Fedoroka .....	B67D 1/1202

FOREIGN PATENT DOCUMENTS

AU	2015236433	B2	10/2019
CA	2019759	A1	12/1991
CA	3004462	A1	5/2017
CA	3009979	A1	7/2017
CN	102125397	A	7/2011
CN	103003608	A	3/2013
CN	106714626	A	5/2017
GB	631170	A	10/1949
JP	H07125798	A	5/1995
JP	2013014338	A	1/2013

OTHER PUBLICATIONS

Design No. 303576636, Feb. 3, 2016—China National Intellectual Property Administration (CNIPA) Publication Date—Feb. 3, 2016  
 Owner—Yang dongxiang WIPO, available at <https://www3.wipo.int/designdb/en/index.jsp> (Year: 2016).\*  
 2 Pieces Rotated Mounted Liquor Holder Alcohol Dispenser Replacement Nozzle, first available Sep. 7, 2019, Amazon, [online], [site visited Aug. 20, 2021], Available from internet URL: <https://www.amazon.com/Rotated-Mounted-Dispenser-Replacement-Cocktail/dp/B07XMM7KP7> (Year: 2019).\*

amazon.com/Rotated-Mounted-Dispenser-Replacement-Cocktail/dp/B07XMM7KP7 (Year: 2019).\*  
 Drinkworks Labs Caring for the Pod Basket, first available Jan. 15, 2019, YouTube, [online], [site visited Aug. 20, 2021], Available from internet URL: <https://www.youtube.com/watch?v=7t1q6KpCIPc> (Year: 2019).\*  
 Guinness Beer Faucet Stainless Steel with Restrictor Nozzle, Rapid Wholesale, [online], [site visited Aug. 20, 2021], Available from internet URL: <https://rapidswholesale.com/american-beverage-stainless-steel-stout-faucet.html> (Year: 2021).\*  
 Extended European Search Report for EP Application No. 19770724.3 dated Nov. 26, 2021.  
 International Search Report and Written Opinion of International Application No. PCT/US2021/023300 dated Jun. 30, 2021.  
 International Search Report and Written Opinion of International Application No. PCT/US2019/023579 dated Jul. 4, 2019.

\* cited by examiner

*Primary Examiner* — Mary Ann Calabrese  
*Assistant Examiner* — Natalya M Rapundalo  
 (74) *Attorney, Agent, or Firm* — Dorsey & Whitney LLP

(57) **CLAIM**

We claim the ornamental design for a nozzle for a beverage machine, as shown and described.

**DESCRIPTION**

FIG. 1 is a front isometric view of a nozzle for a beverage machine with a basket assembly of the beverage machine shown in dashed lines for environmental purposes.  
 FIG. 2 is a rear isometric view of the nozzle for a beverage machine of FIG. 1 with the basket assembly shown in dashed lines for environmental purposes.  
 FIG. 3 is a front isometric view of the nozzle for a beverage machine of FIG. 1.  
 FIG. 4 is a rear isometric view of the nozzle for a beverage machine of FIG. 1.  
 FIG. 5 is a front elevation view of the nozzle for a beverage machine of FIG. 1.  
 FIG. 6 is a rear elevation view of the nozzle for a beverage machine of FIG. 1.  
 FIG. 7 is a right side elevation view of the nozzle for a beverage machine of FIG. 1.  
 FIG. 8 is a left side elevation view of the nozzle for a beverage machine of FIG. 1.  
 FIG. 9 is a top plan view of the nozzle for a beverage machine of FIG. 1.  
 FIG. 10 is a bottom plan view of the nozzle for a beverage machine of FIG. 1; and,  
 FIG. 11 is a cross-sectional view of the nozzle for a beverage machine of FIG. 1, taken along line 11-11 of FIG. 10.  
 The dashed broken lines shown in the figures illustrate environment and portions of the nozzle for a beverage machine that form no part of the claimed design. The dot dash broken lines represent a boundary of the claim and form no part thereof.



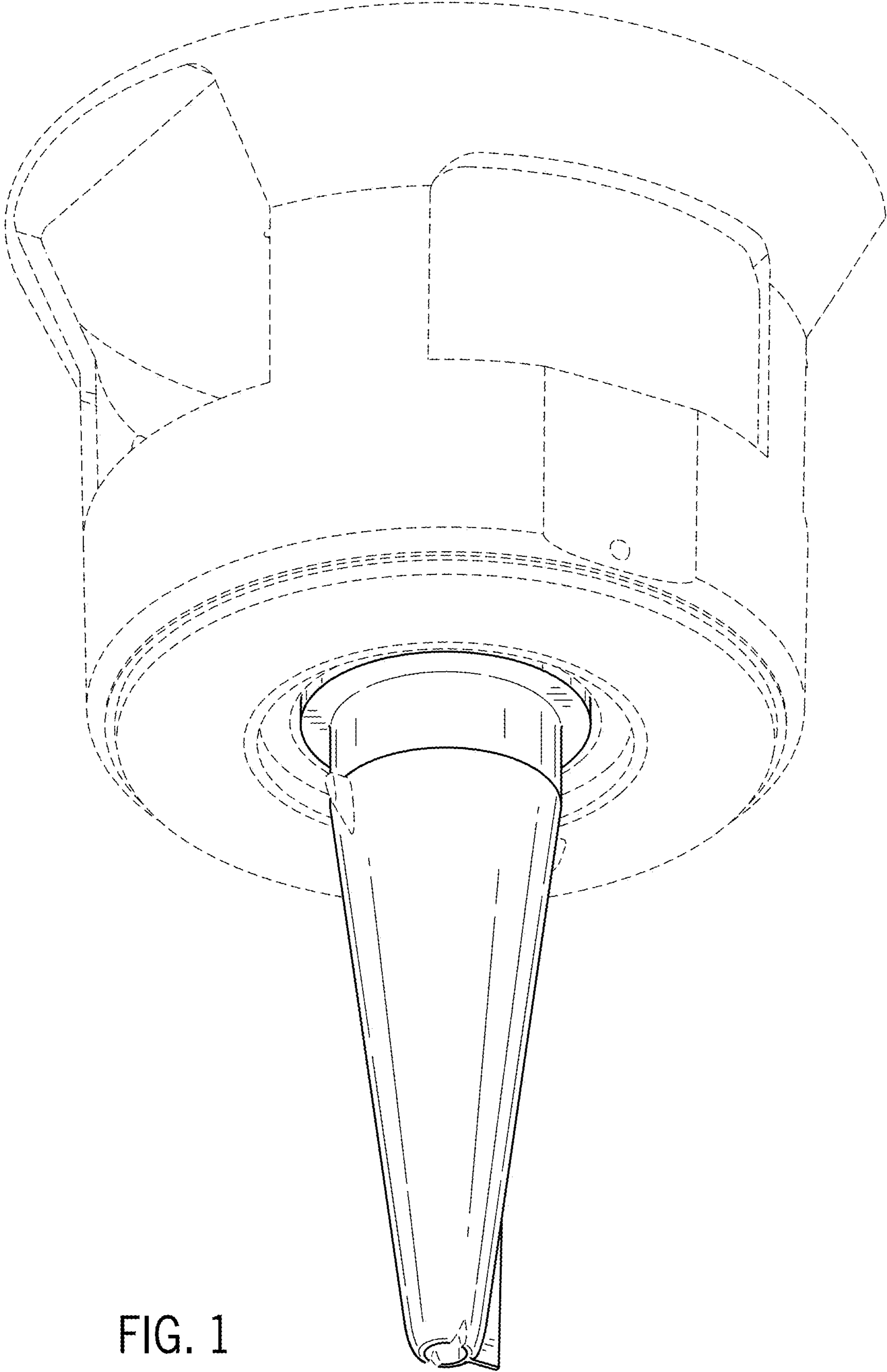


FIG. 1

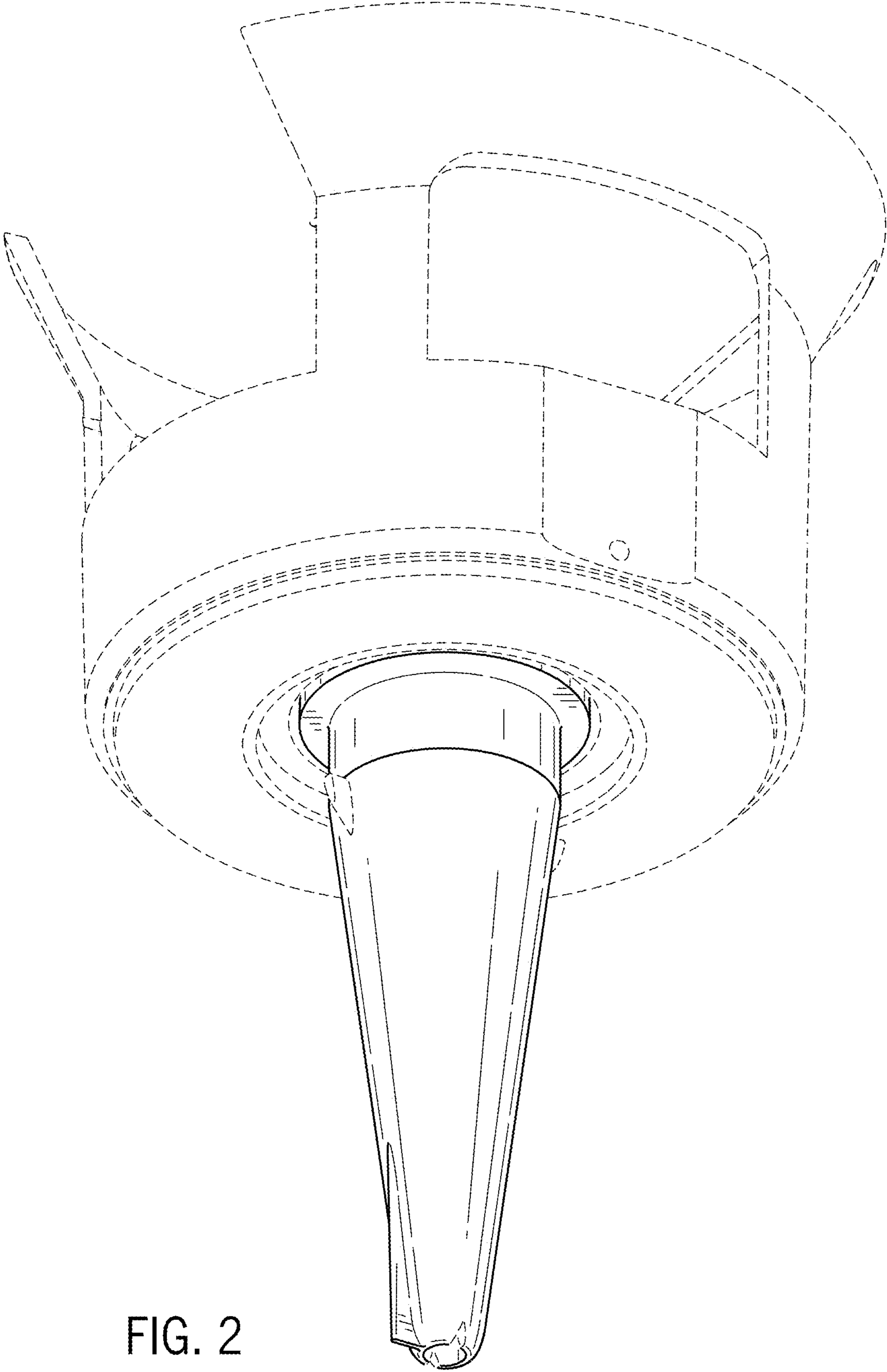


FIG. 2

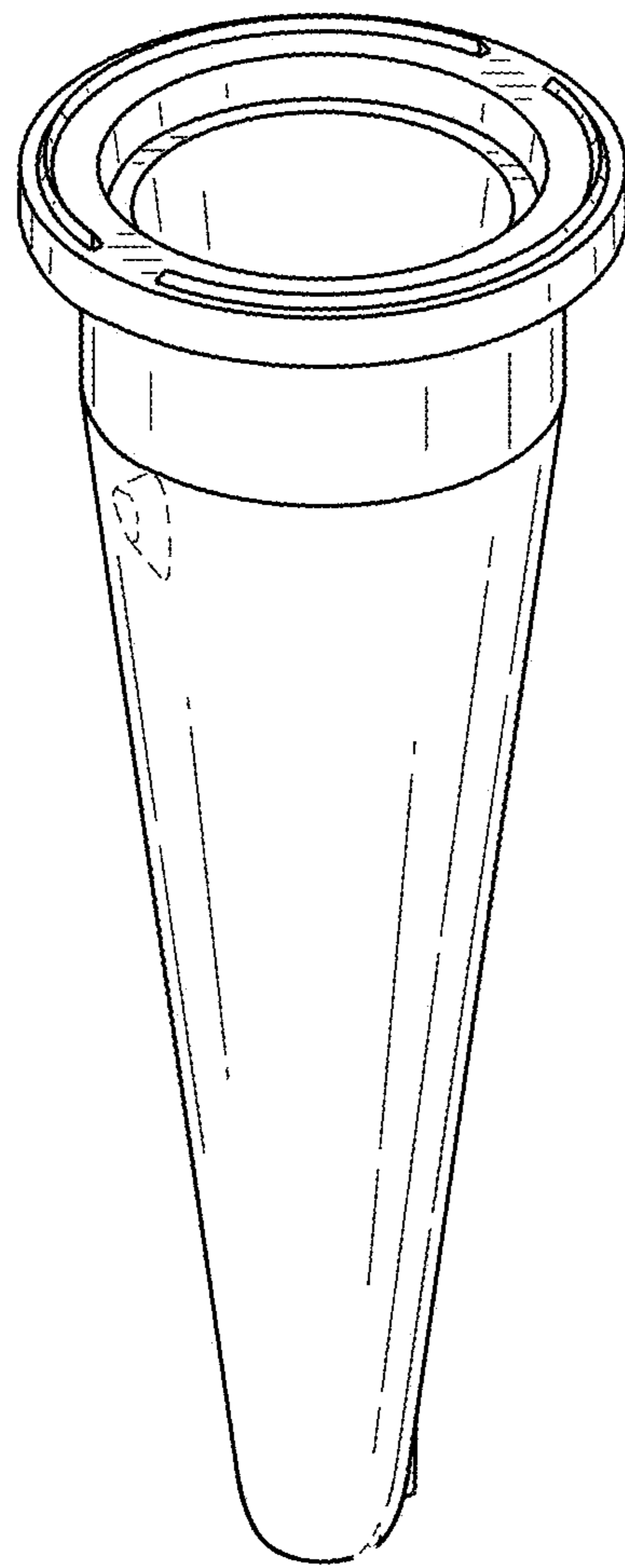


FIG. 3

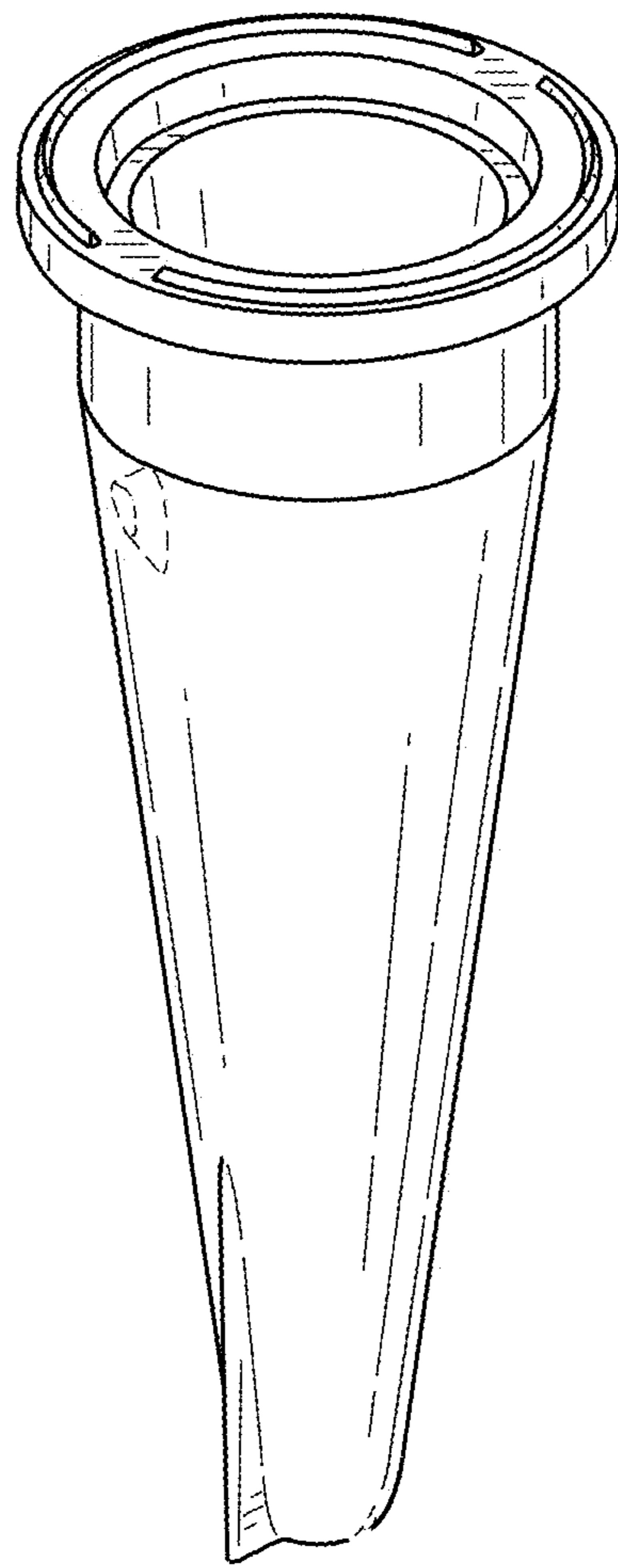


FIG. 4

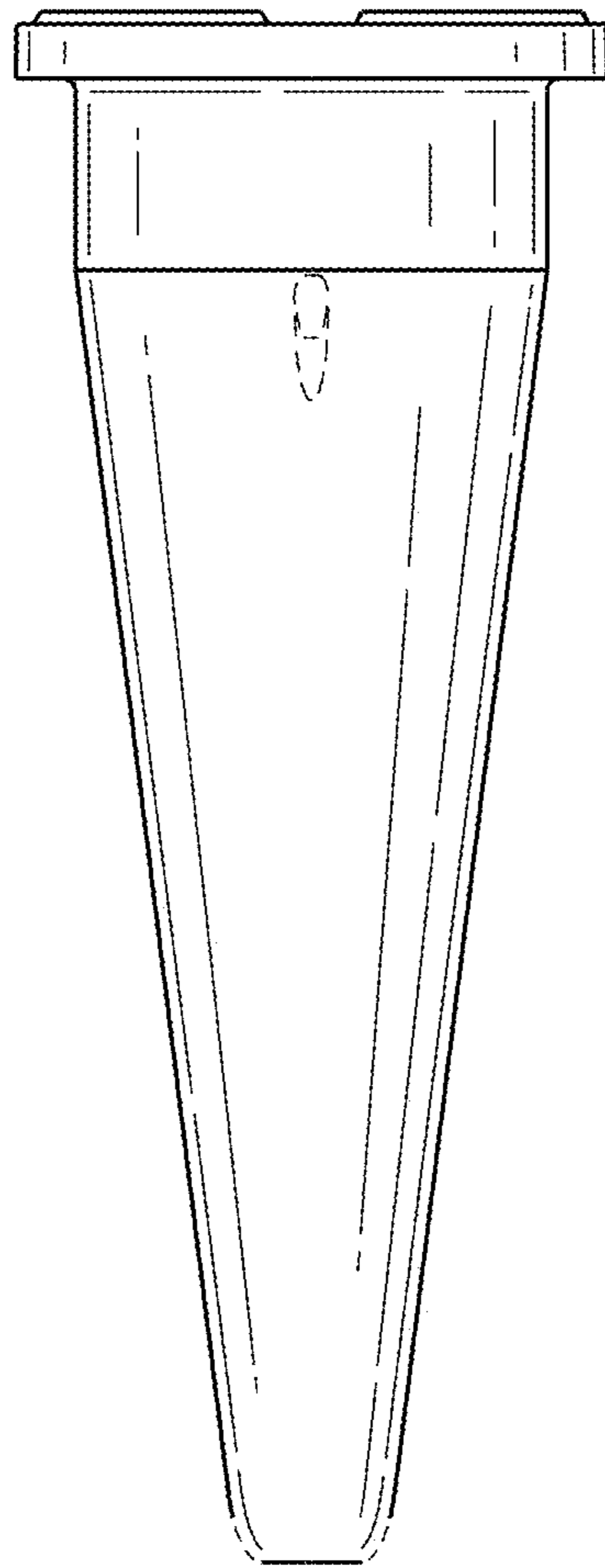


FIG. 5

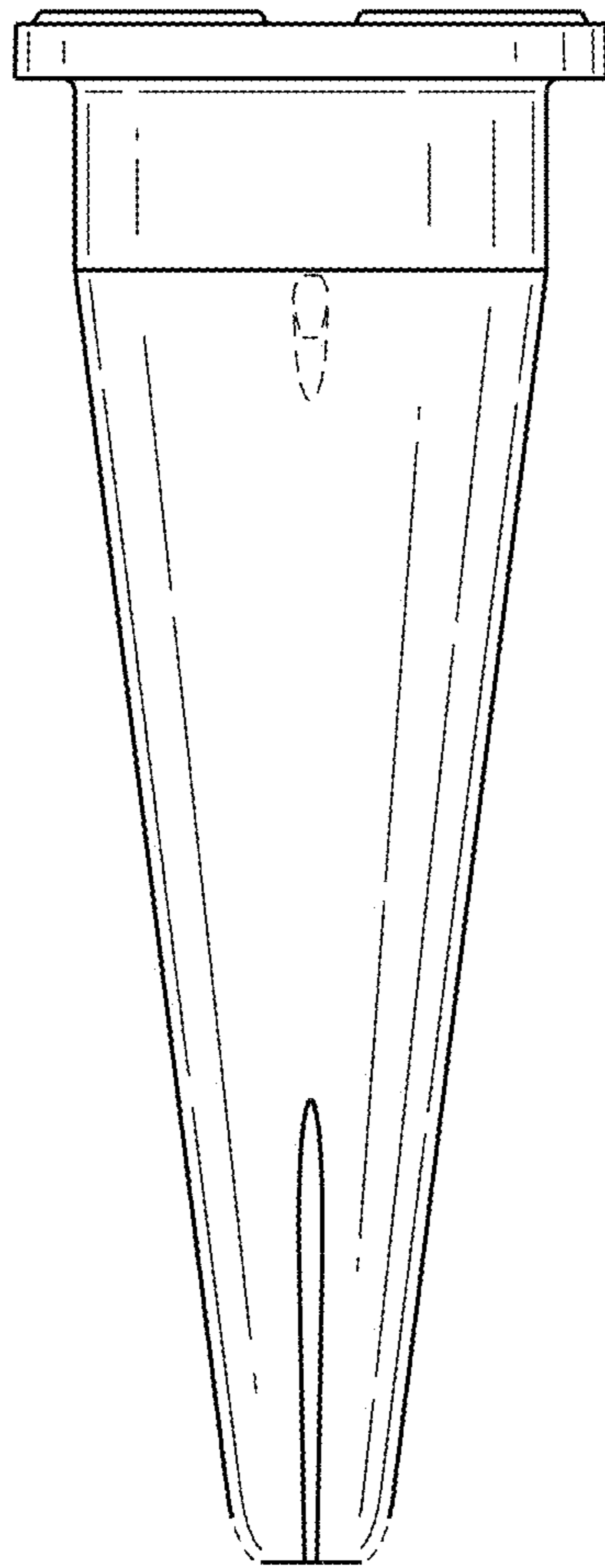


FIG. 6



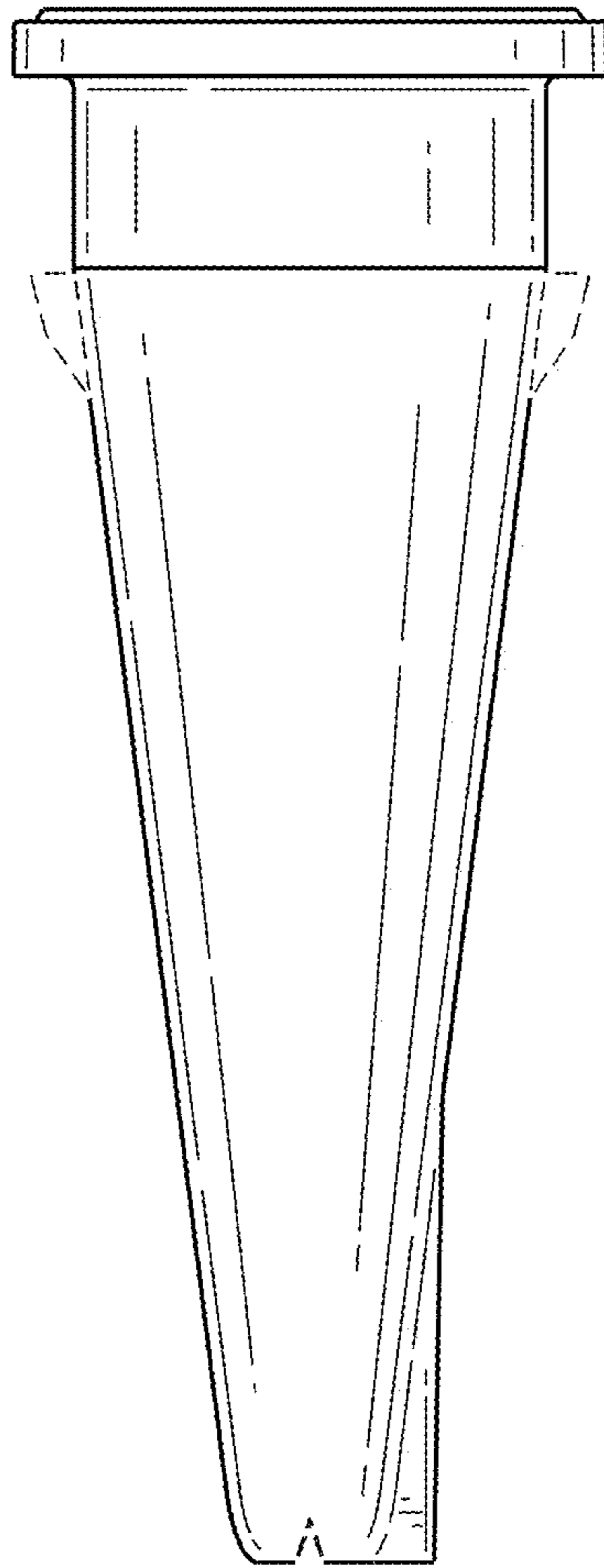


FIG. 7

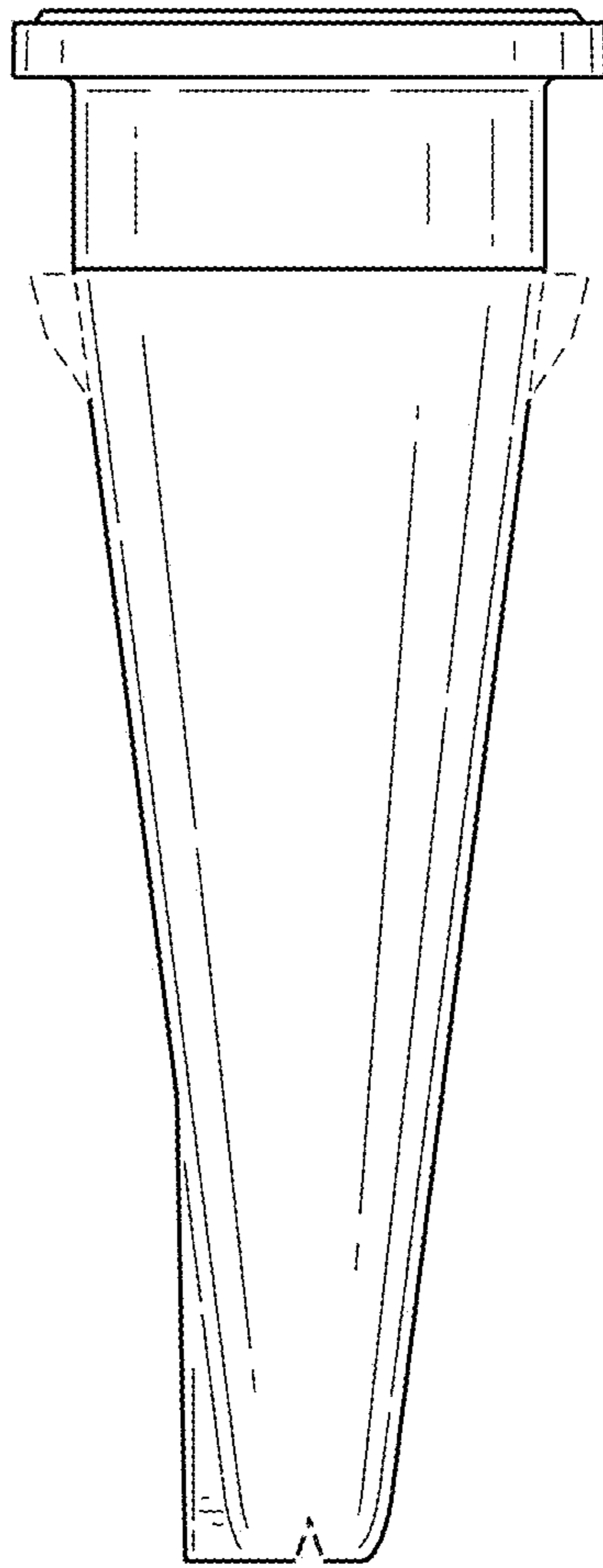


FIG. 8

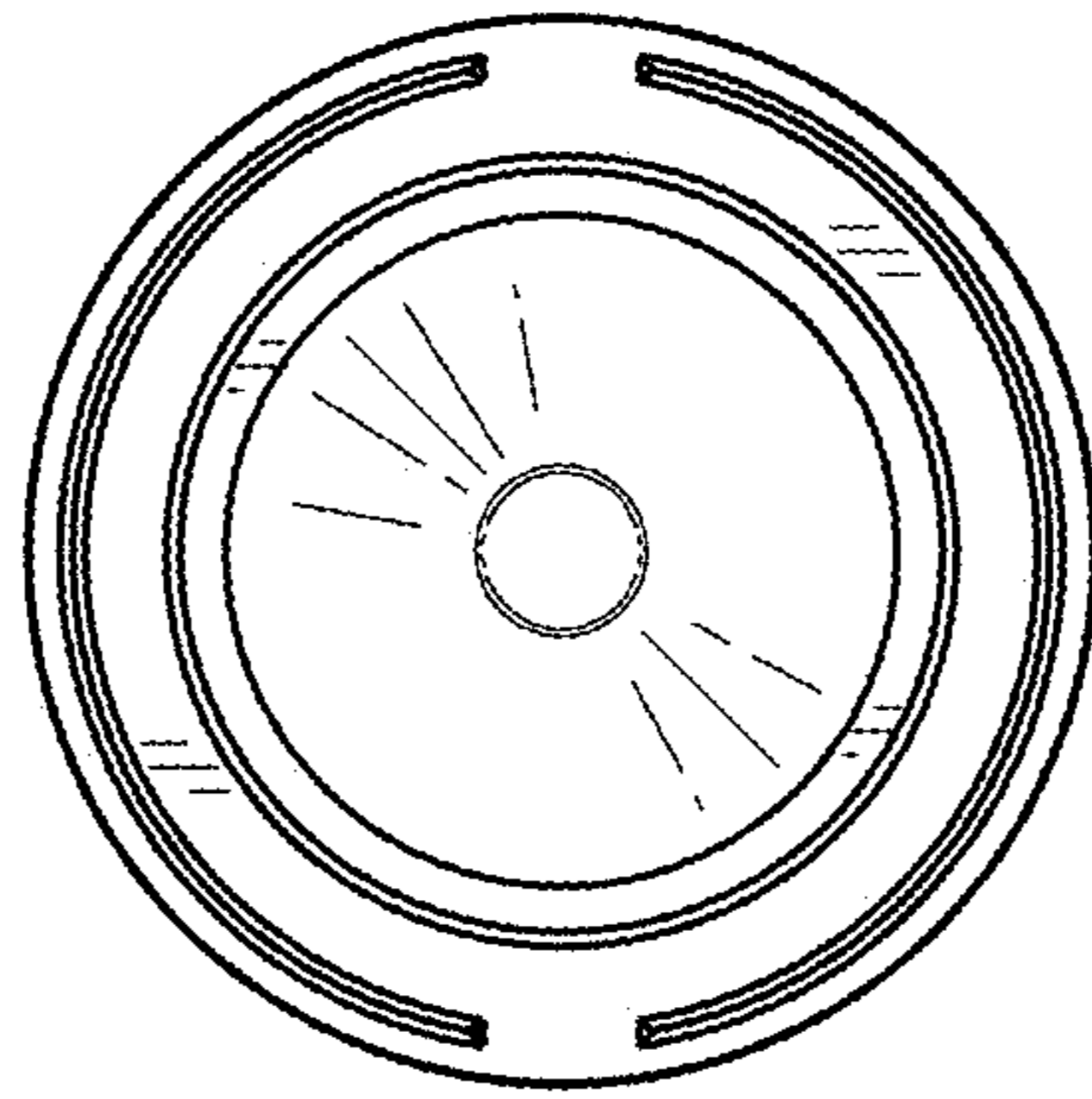


FIG. 9

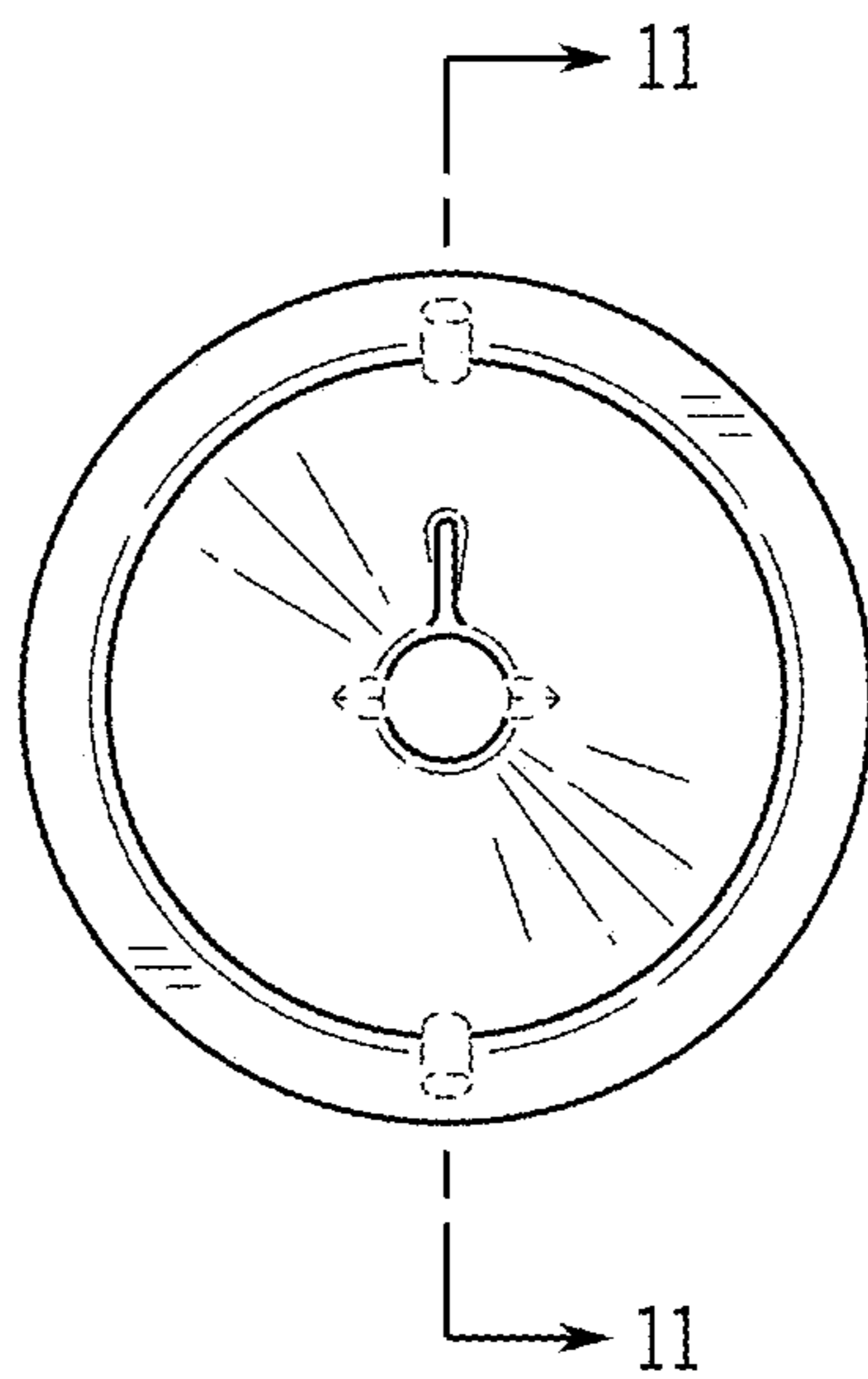


FIG. 10

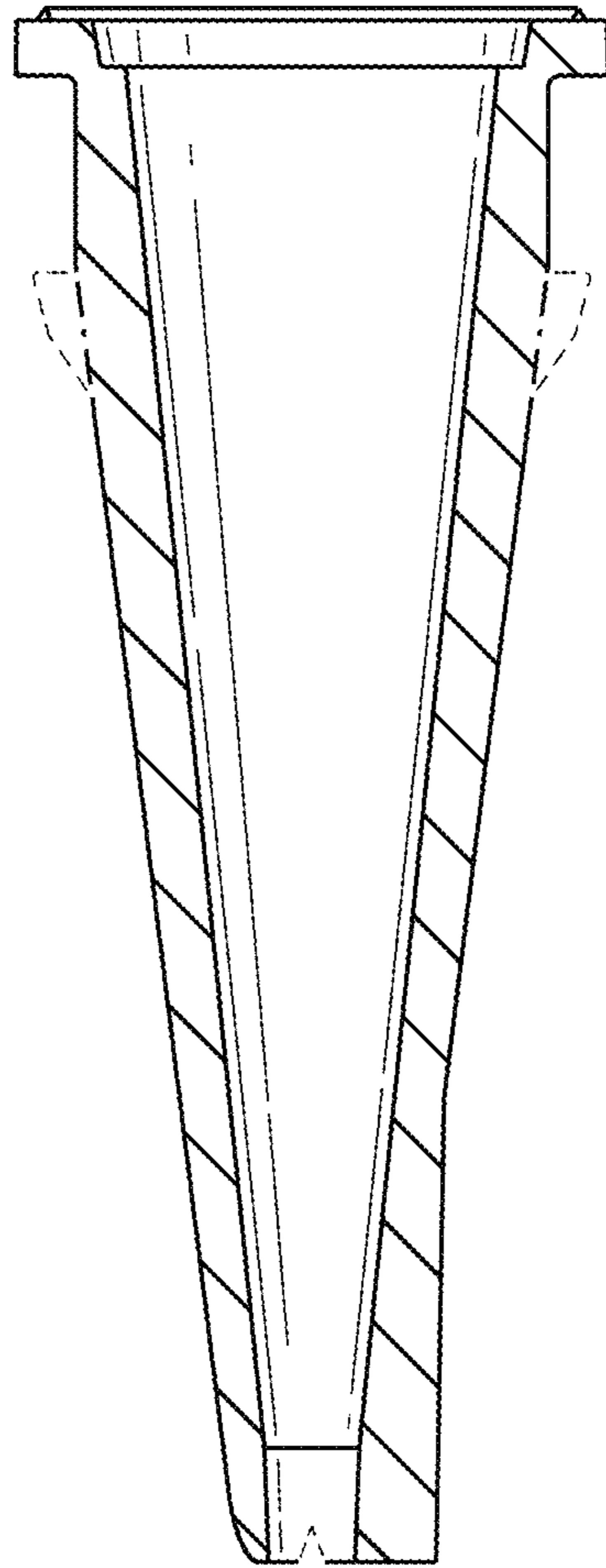


FIG. 11