



US00D982381S

(12) **United States Design Patent**  
**Song**

(10) **Patent No.:** **US D982,381 S**

(45) **Date of Patent:** **\*\* Apr. 4, 2023**

- (54) **WINE STOPPER**
- (71) Applicant: **Zhuhai Kelitong Electronic Co., Ltd.,**  
Zhuhai (CN)
- (72) Inventor: **Xiaoxian Song,** Zhuhai (CN)
- (73) Assignee: **ZHUHAI KELITONG**  
**ELECTRONIC CO., LTD.,** Zhuhai  
(CN)
- (\*\*) Term: **15 Years**
- (21) Appl. No.: **29/788,460**
- (22) Filed: **Jun. 1, 2021**
- (30) **Foreign Application Priority Data**

D363,220 S *	10/1995	Charbonneau	.....	D9/447
D418,417 S *	1/2000	Hollinger	.....	D9/440
D529,799 S *	10/2006	Jensen	.....	D7/397
8,640,746 B2 *	2/2014	Luis	.....	B65B 31/047
				215/230
8,783,486 B1 *	7/2014	Hoyt	.....	B65D 39/12
				215/363
D712,199 S *	9/2014	Borden	.....	B01F 23/232
				D7/400
D741,645 S *	10/2015	Lau	.....	D7/397
D772,004 S *	11/2016	Khan	.....	D7/397
D797,499 S *	9/2017	Jones	.....	D7/397
D844,117 S *	3/2019	Kennison	.....	D23/260
D930,106 S *	9/2021	Stoller	.....	D22/122
D959,268 S *	8/2022	Hume	.....	B01F 23/232
				D9/439
2008/0272147 A1 *	11/2008	Buker	.....	B65D 51/248
				222/113

(Continued)

- Feb. 25, 2021 (CN) ..... 202130106697.1
- (51) **LOC (14) Cl.** ..... **07-06**
- (52) **U.S. Cl.**  
USPC ..... **D7/397**
- (58) **Field of Classification Search**  
USPC ..... D7/300.1, 303, 387, 391, 392, 392.1,  
D7/396.2, 396.3, 397, 507, 510, 511, 523,  
D7/590, 597, 601, 605, 606, 608, 615,  
D7/620, 621, 624.2, 624.3, 701; D9/434,  
D9/435, 439, 443, 444, 447, 449, 451,  
D9/452, 454, 503, 520, 527, 529, 539,  
D9/544  
CPC .... A61J 1/1412; B65B 31/00; B65D 41/0414;  
B65D 51/245; B65D 81/2038; B65D  
50/041; B65D 47/06; B65D 83/28; B65D  
83/40; B67D 7/00  
See application file for complete search history.

*Primary Examiner* — Joseph Kukella  
*Assistant Examiner* — Darryl J Dardenne  
 (74) *Attorney, Agent, or Firm* — Avek IP, LLC

(57) **CLAIM**

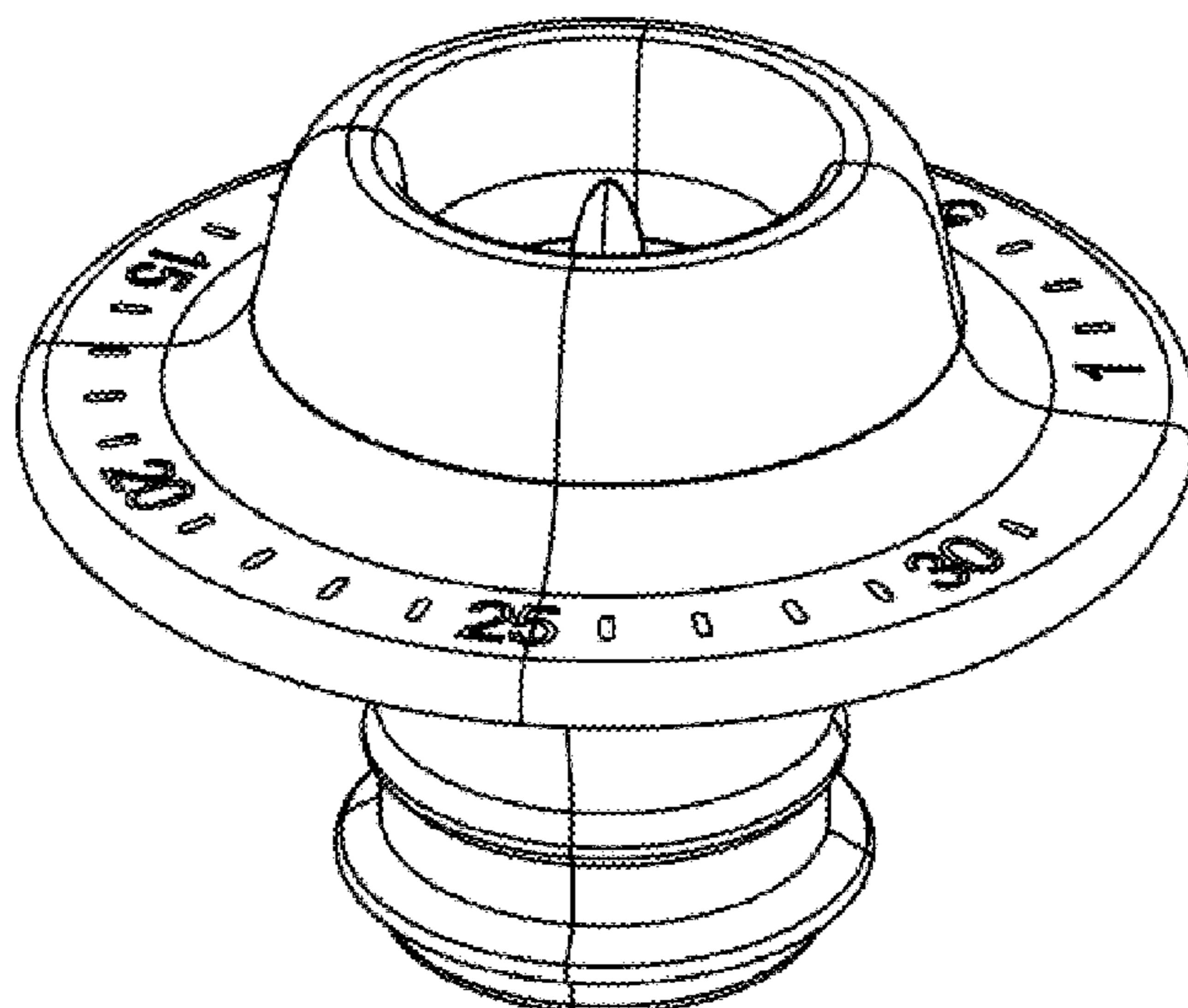
The ornamental design for a wine stopper, as shown and described.

**DESCRIPTION**

FIG. 1 is a perspective view of a wine stopper showing the new design.  
 FIG. 2 is a front view of the wine stopper of FIG. 1.  
 FIG. 3 is a rear view of the wine stopper of FIG. 1.  
 FIG. 4 is a side view of the wine stopper of FIG. 1.  
 FIG. 5 is an opposite side view the wine stopper of FIG. 1.  
 FIG. 6 is a top view the wine stopper of FIG. 1; and,  
 FIG. 7 is a bottom view the wine stopper of FIG. 1.

**1 Claim, 7 Drawing Sheets**

- (56) **References Cited**  
U.S. PATENT DOCUMENTS  
D296,524 S \* 7/1988 Schneider ..... B65D 51/248  
D9/439  
D334,332 S \* 3/1993 Massey ..... B65D 39/0017  
D8/312



(56)

**References Cited**

U.S. PATENT DOCUMENTS

2011/0108511 A1\* 5/2011 McKinney ..... B65D 39/0017  
215/355

\* cited by examiner

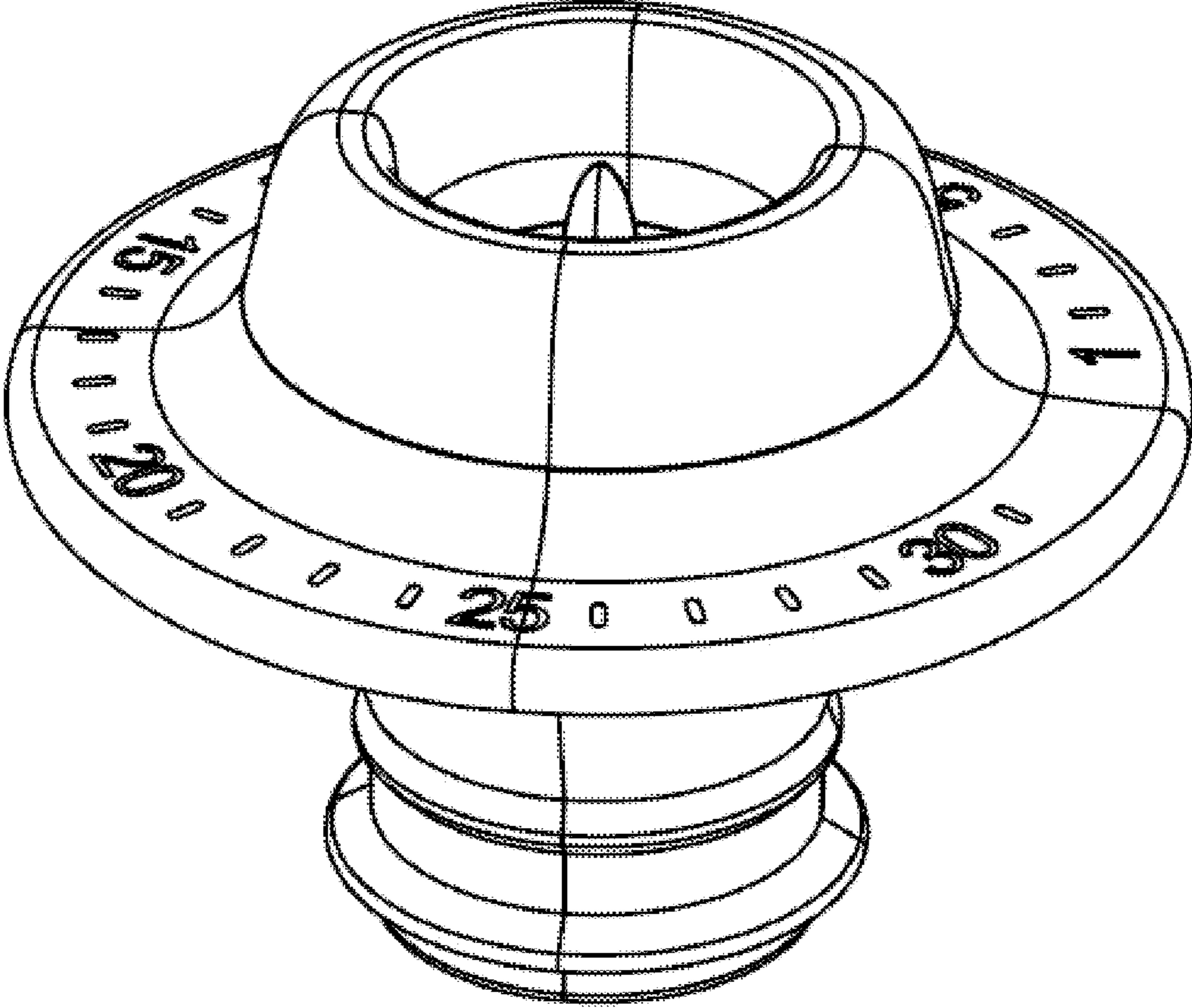


FIG. 1

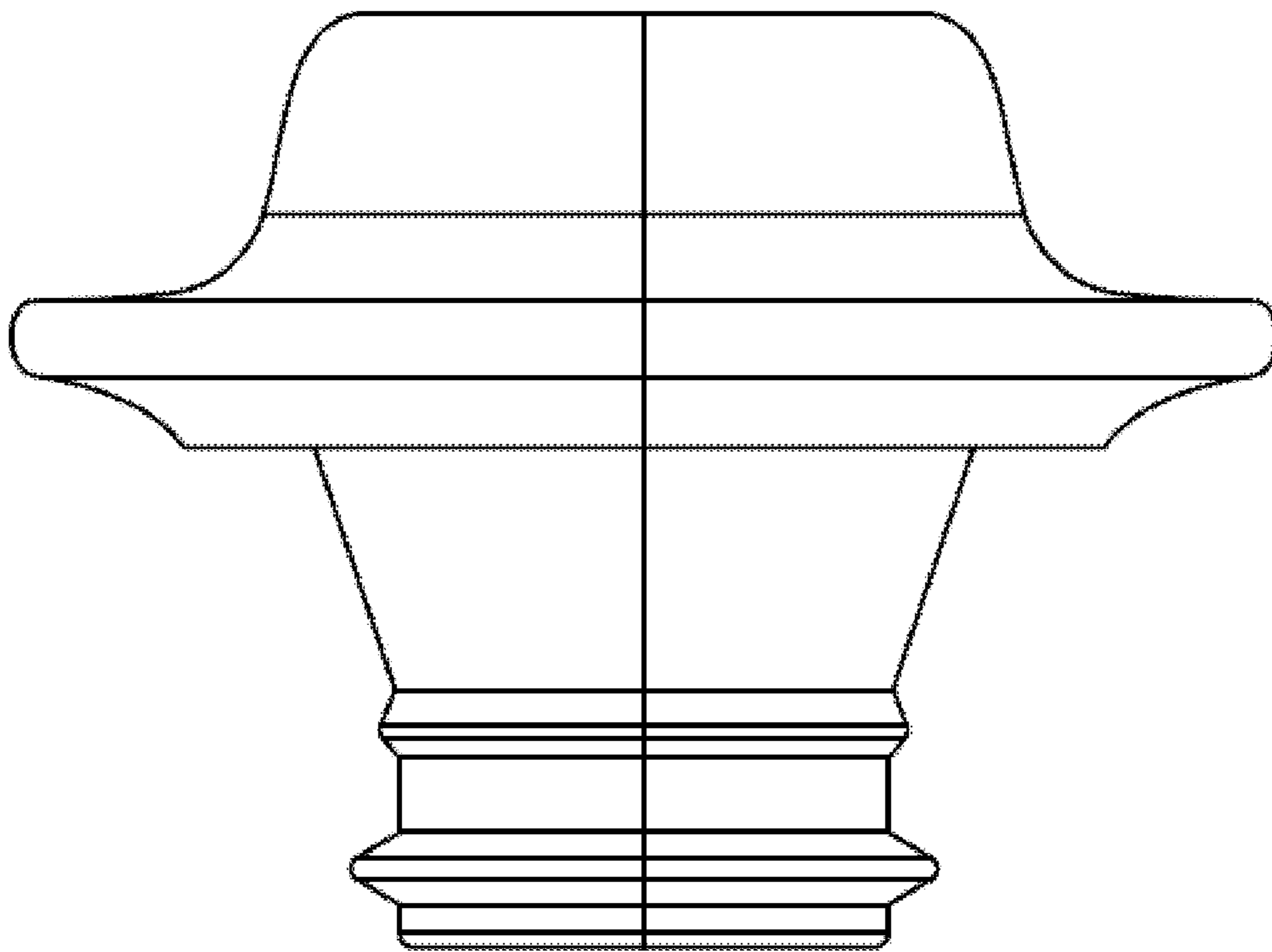


FIG. 2

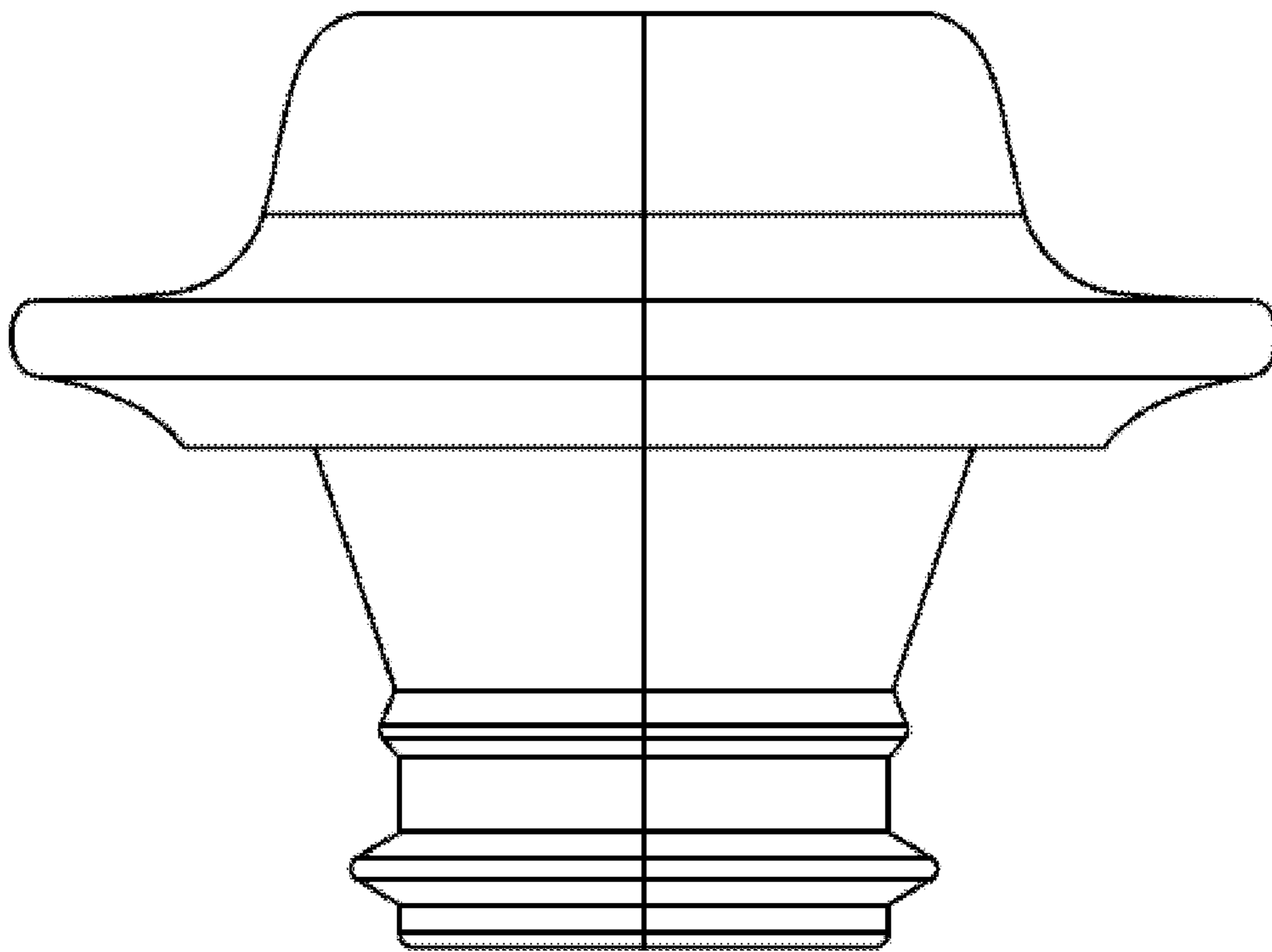


FIG. 3

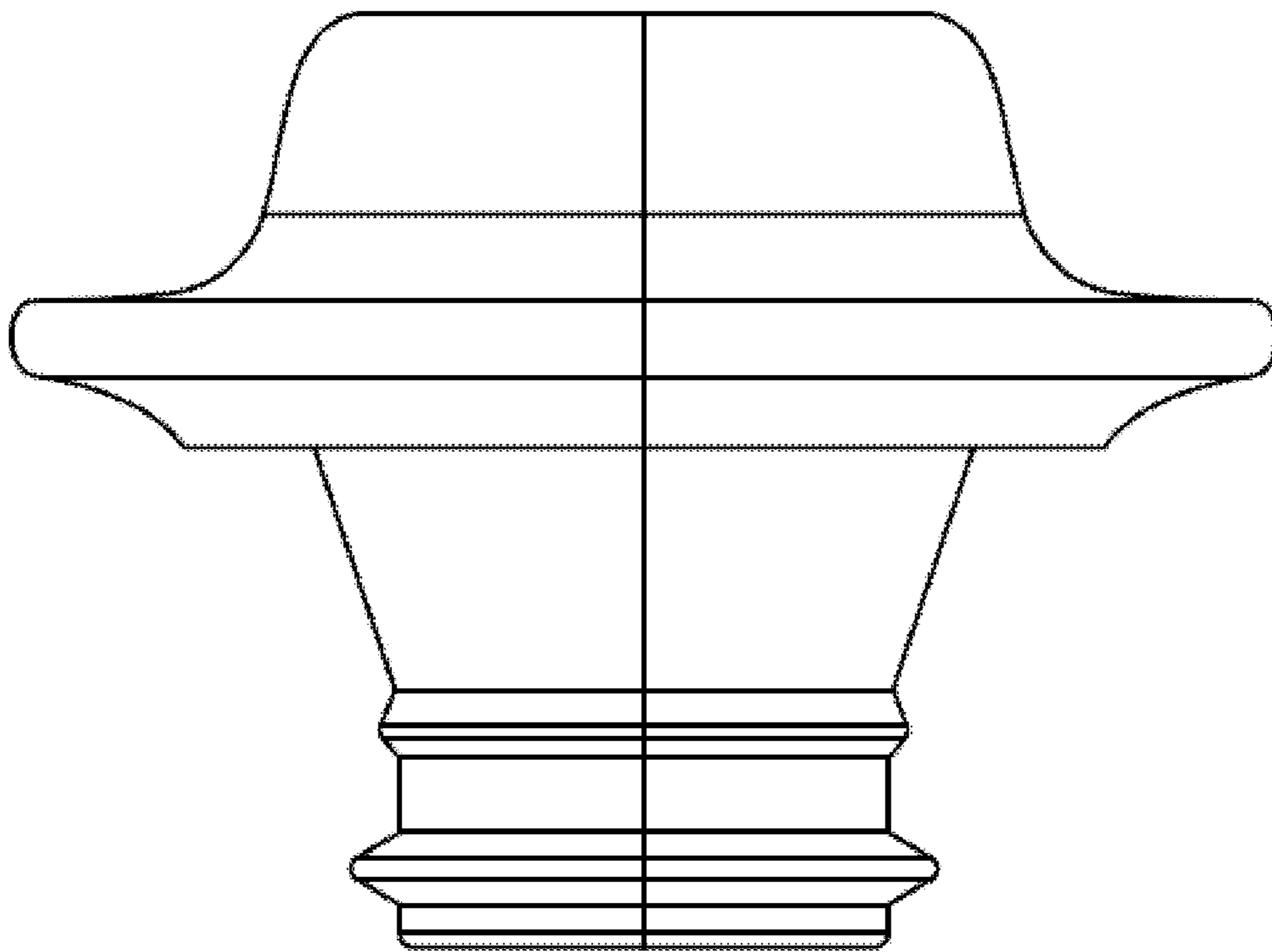


FIG. 4

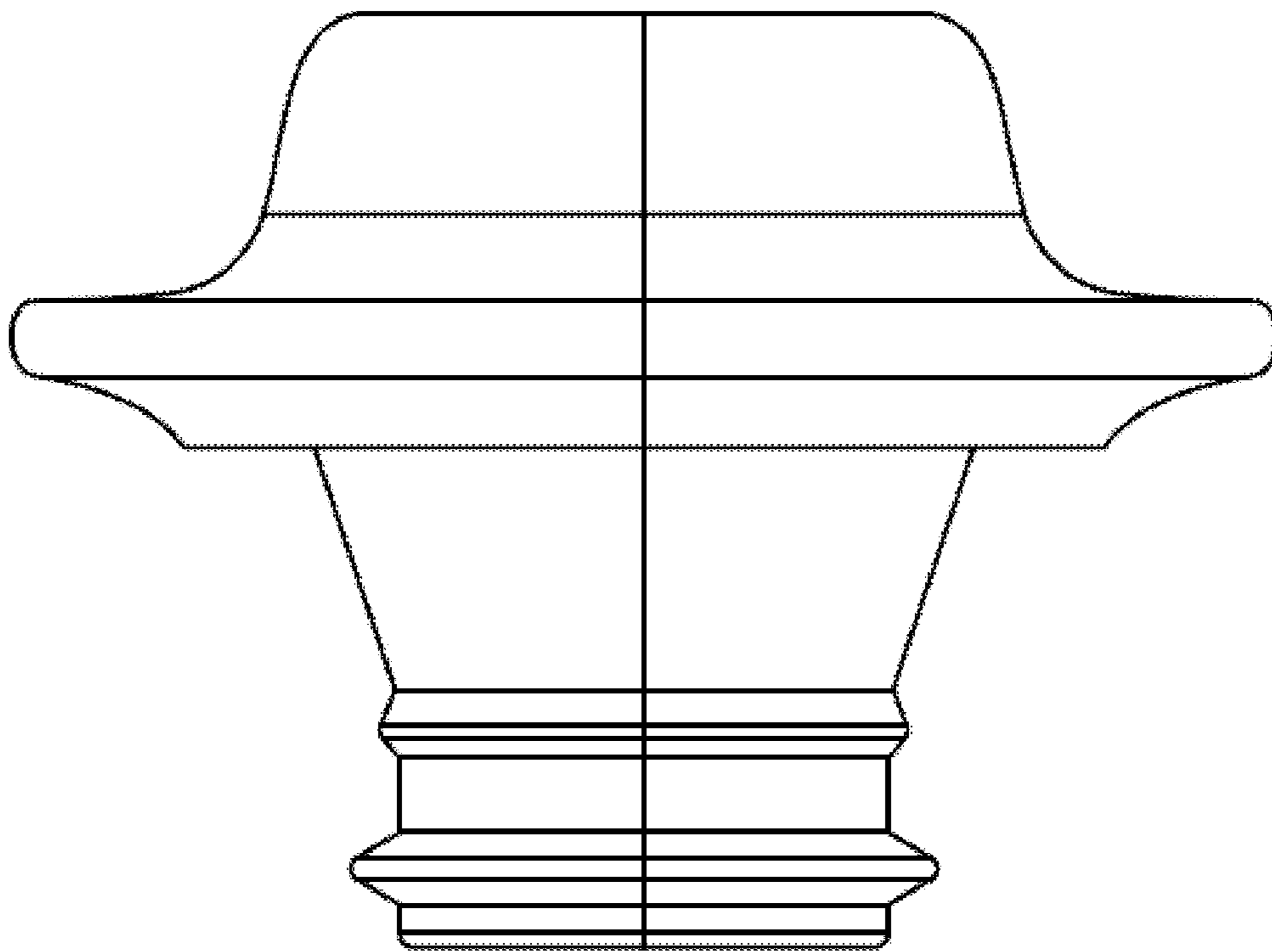


FIG. 5

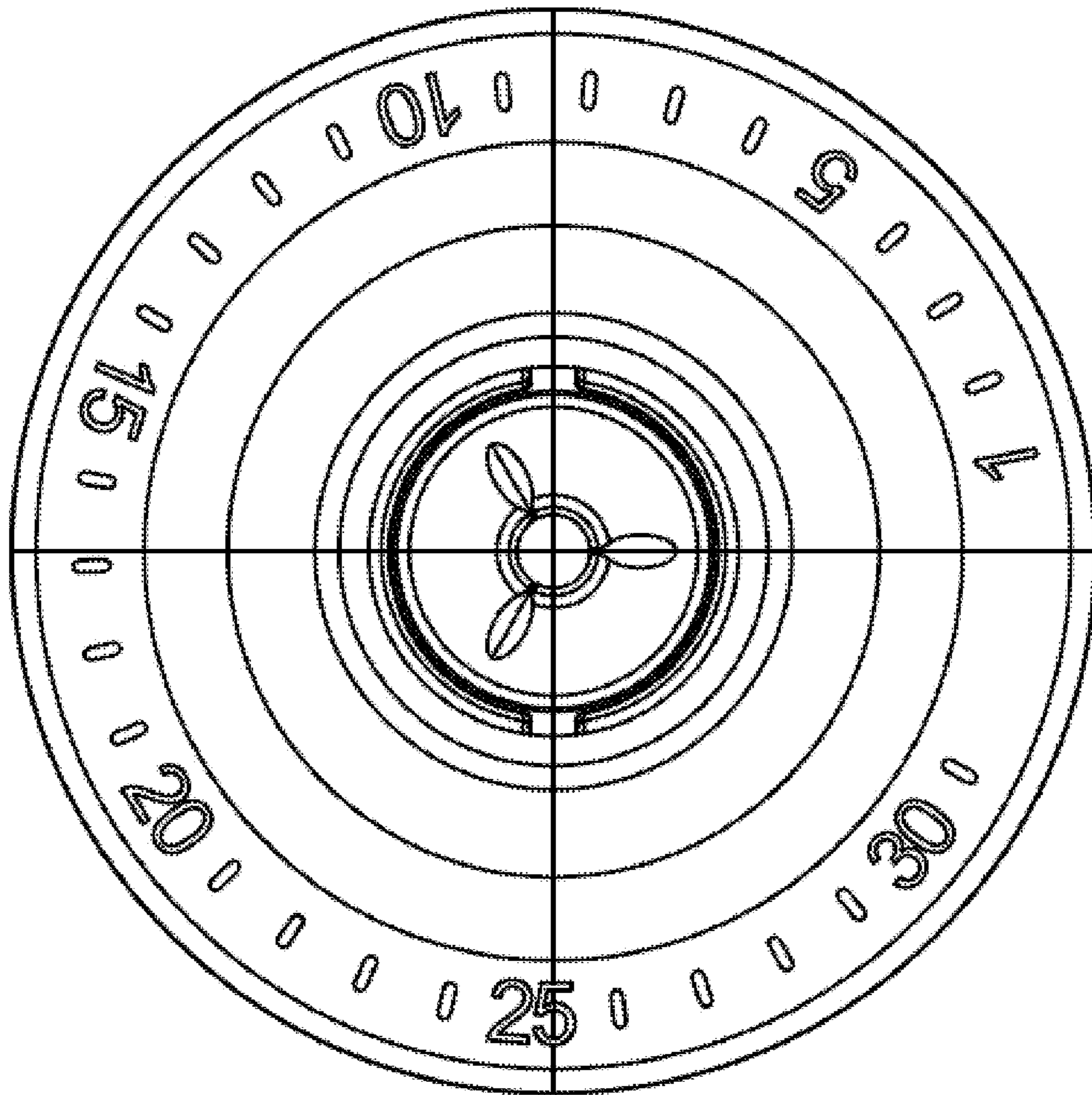


FIG. 6



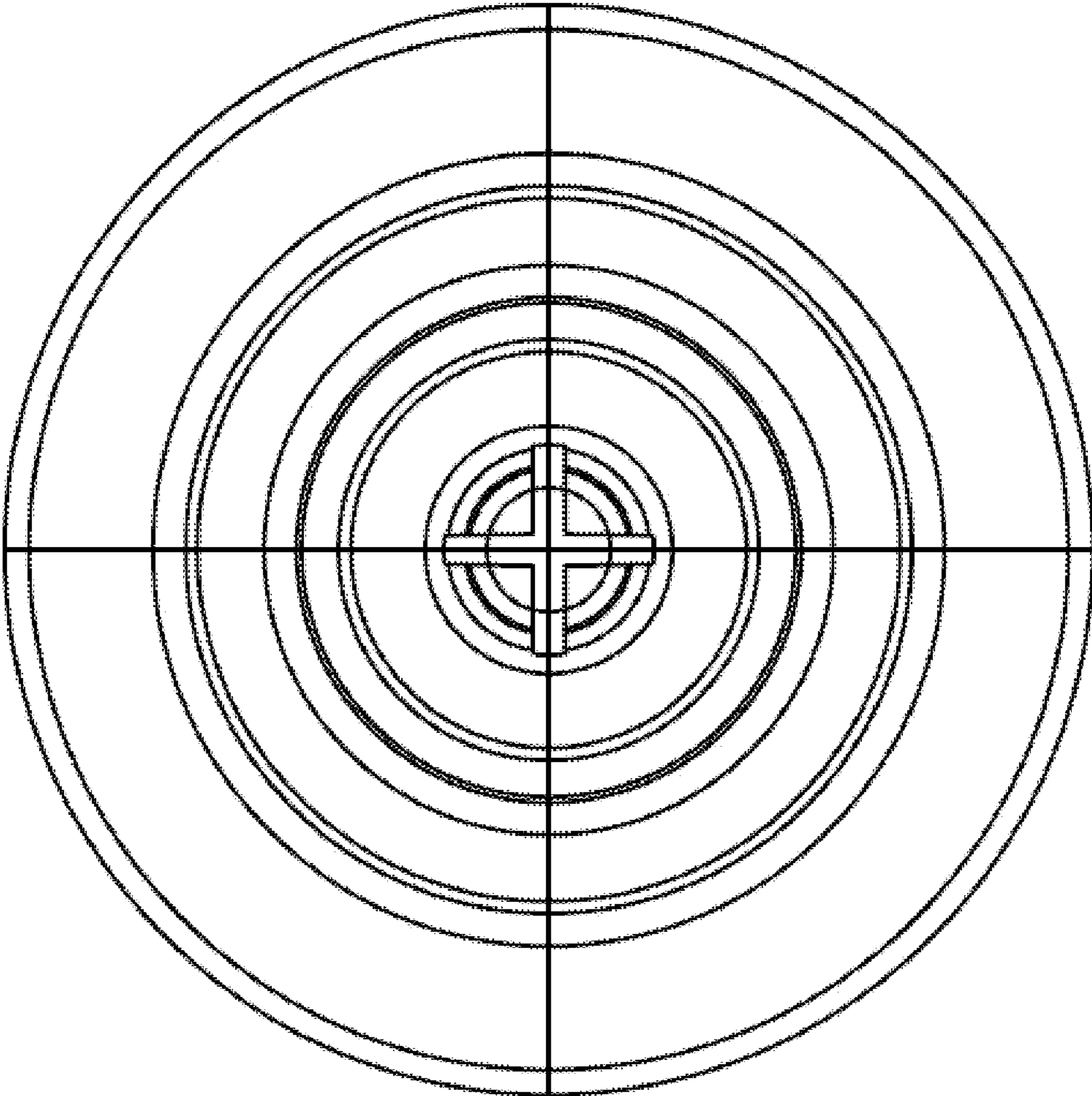


FIG. 7