



US00D982378S

(12) **United States Design Patent** (10) **Patent No.:** **US D982,378 S**  
**Li** (45) **Date of Patent:** **\*\* Apr. 4, 2023**

(54) **BOTTLE LID**

D924,000 S \* 7/2021 Chen ..... D7/392.1  
D930,427 S \* 9/2021 Ayres ..... D7/392.1  
D931,042 S \* 9/2021 Burga ..... D7/392.1

(Continued)

(71) Applicant: **Zong Li**, Chuzhou (CN)

(72) Inventor: **Zong Li**, Chuzhou (CN)

(\*\*) Term: **15 Years**

FOREIGN PATENT DOCUMENTS  
TW 107306660 \* 11/2018

(21) Appl. No.: **29/799,063**

OTHER PUBLICATIONS

(22) Filed: **Jul. 12, 2021**

VGHNQ Straw Lid, available in Amazon.com, date first available May 30, 2022, site visited Dec. 19, 2022, Internet URL: <https://www.amazon.com/VGHNQ-Compatible-Bottle-Replacement-Accessories/dp/B0B285WKKV/ref=asc\_df\_B0B285WKKV/?tag=hyprod-20&linkCode=df0&hvadid=598352708372&hvpos=&h> (Year: 2022).\*

(51) **LOC (14) Cl.** ..... **07-02**

(52) **U.S. Cl.**  
USPC ..... **D7/392.1**

(Continued)

(58) **Field of Classification Search**

USPC ..... D7/396.2, 300.1, 608, 509, 511, 510,  
D7/523, 591, 597, 598, 543, 396.1, 300,  
D7/605, 387, 392.1; D9/516, 529, 541,  
D9/544, 545, 546, 549, 559, 772, 777,  
D9/778, 780, 434, 435, 443  
CPC ..... B65D 41/02; B65D 41/04; B65D 41/06;  
B65D 41/26; B65D 41/056; B65D 43/00;  
B65D 43/02; B65D 1/06; A47G 19/22;  
A47G 19/228; A47G 19/2216; A47G  
19/2222; A47G 19/2205; A47G 19/2266;  
A47G 19/2272; A47J 36/14; A45F 3/16;  
A45F 3/18

*Primary Examiner* — Andrew Kerr  
*Assistant Examiner* — Courtney Clark-Rasheed  
(74) *Attorney, Agent, or Firm* — Daniel M. Cohn;  
Howard M. Cohn

See application file for complete search history.

(57) **CLAIM**

The ornamental design for a bottle lid, as shown and described.

(56) **References Cited**

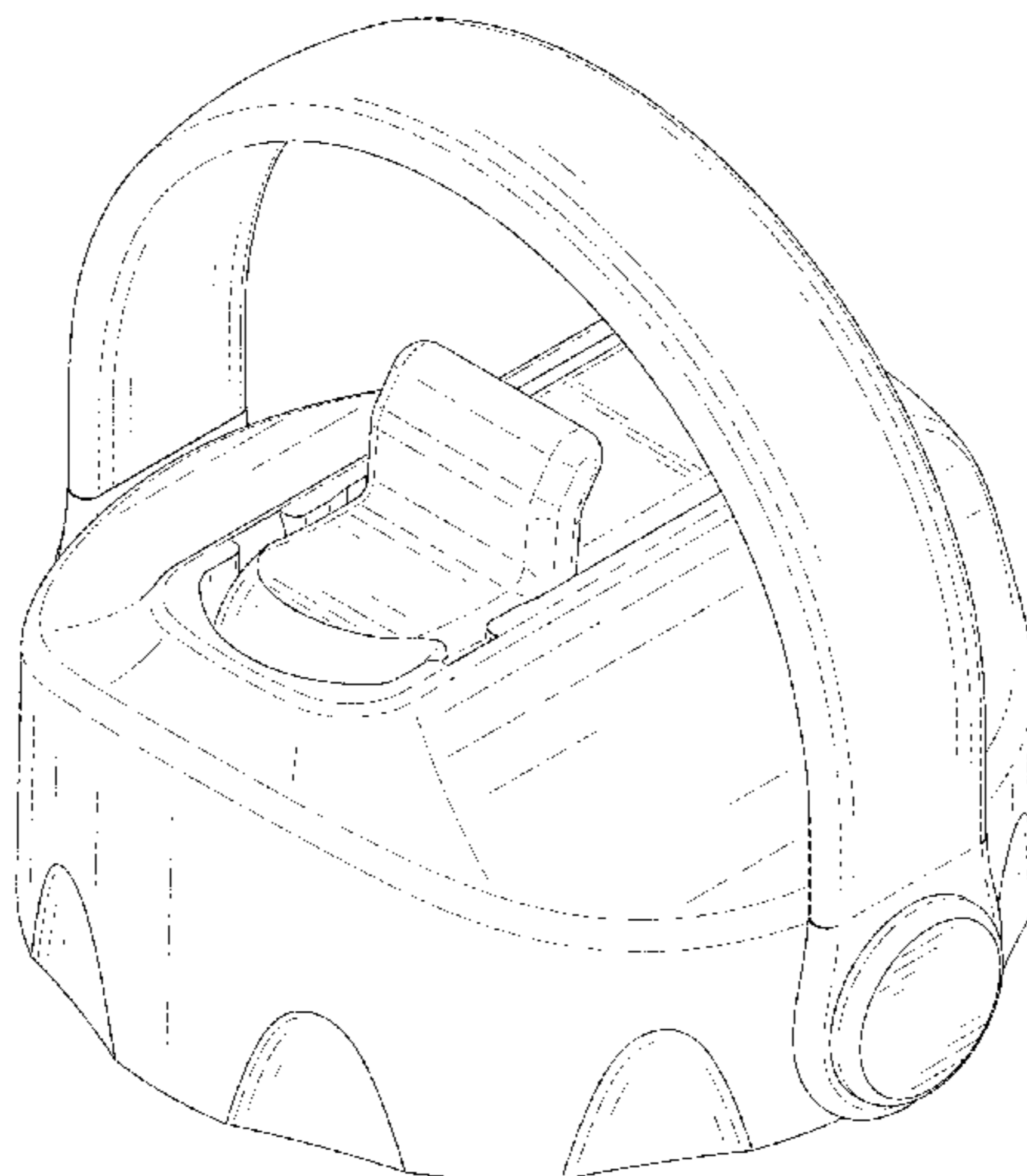
**DESCRIPTION**

U.S. PATENT DOCUMENTS

D872,522 S \* 1/2020 Diener ..... D9/449  
D872,524 S \* 1/2020 Bo ..... D7/392.1  
D886,517 S \* 6/2020 Bo ..... D7/392.1  
D887,776 S \* 6/2020 Bo ..... D7/392.1  
D893,245 S \* 8/2020 Zhang ..... D7/392.1  
D894,672 S \* 9/2020 Huang ..... D9/450  
D897,761 S \* 10/2020 Zhang ..... D9/450  
D900,539 S \* 11/2020 Yao ..... D7/392.1  
D903,405 S \* 12/2020 Zhang ..... D7/392.1  
D904,109 S \* 12/2020 Yao ..... D7/392.1  
D906,042 S \* 12/2020 Chen ..... D9/450  
D917,960 S \* 5/2021 Yao ..... D9/516

FIG. 1 is a perspective view of a bottle lid showing my new design;  
FIG. 2 is another perspective view thereof;  
FIG. 3 is a front elevational view thereof;  
FIG. 4 is a rear elevational view thereof;  
FIG. 5 is a left side elevational view thereof;  
FIG. 6 is a right side elevational view thereof;  
FIG. 7 is a top plan view thereof;  
FIG. 8 is a bottom plan view thereof; and,  
FIG. 9 is a perspective view of the bottle lid where the bottle lid is in a configuration of use.

(Continued)



The broken lines in the drawings depict portions of the bottle lid that form no part of the claimed design.

**1 Claim, 9 Drawing Sheets**

(56)

**References Cited**

U.S. PATENT DOCUMENTS

D935,264 S	*	11/2021	Kutlug .....	D7/392.1
D938,778 S	*	12/2021	Ge .....	D9/450
D942,208 S	*	2/2022	Lown .....	D9/450
D944,596 S	*	3/2022	Hoffmann .....	D7/510
D957,875 S	*	7/2022	Chen .....	D7/392.1
D960,637 S	*	8/2022	Zhang .....	D7/391
D973,426 S	*	12/2022	Kutlug .....	D7/392.1

OTHER PUBLICATIONS

Straw Lid for Hydroflask, available in [walmart.com](https://www.walmart.com/ip/Straw-Lid-Hydro-Flask-Wide-Mouth-Flex-Hydroflask-Mouth-12-16-18-20-32-40-64-oz-Flexible-Handle-Replacement-Lids-Straws-Top-Water-Bottle-Accessories/1092881068?wmls), date unknown, site visited Dec. 19, 2022, Internet URL: <<https://www.walmart.com/ip/Straw-Lid-Hydro-Flask-Wide-Mouth-Flex-Hydroflask-Mouth-12-16-18-20-32-40-64-oz-Flexible-Handle-Replacement-Lids-Straws-Top-Water-Bottle-Accessories/1092881068?wmls>> (Year: 2022).\*

\* cited by examiner

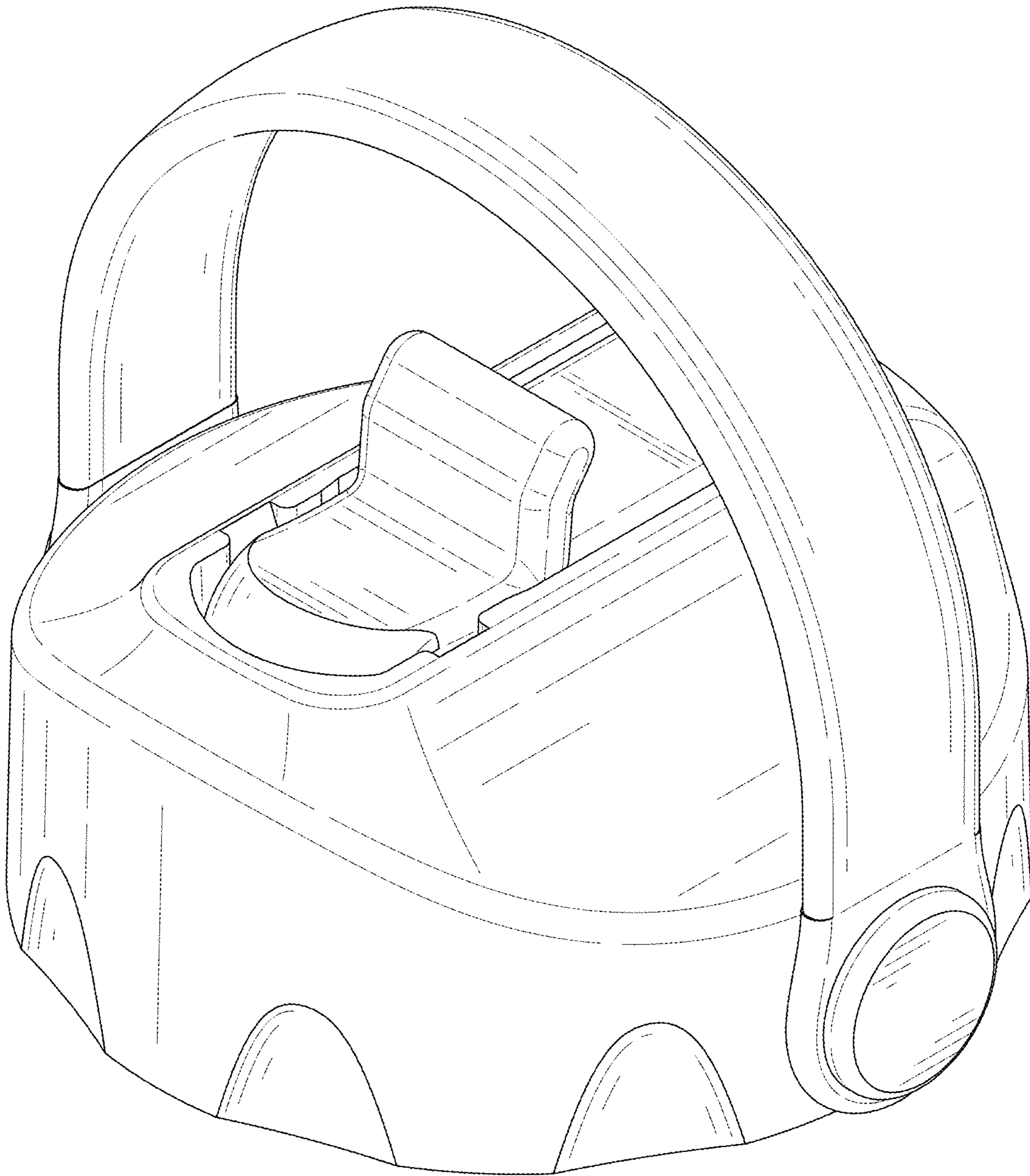


FIG. 1

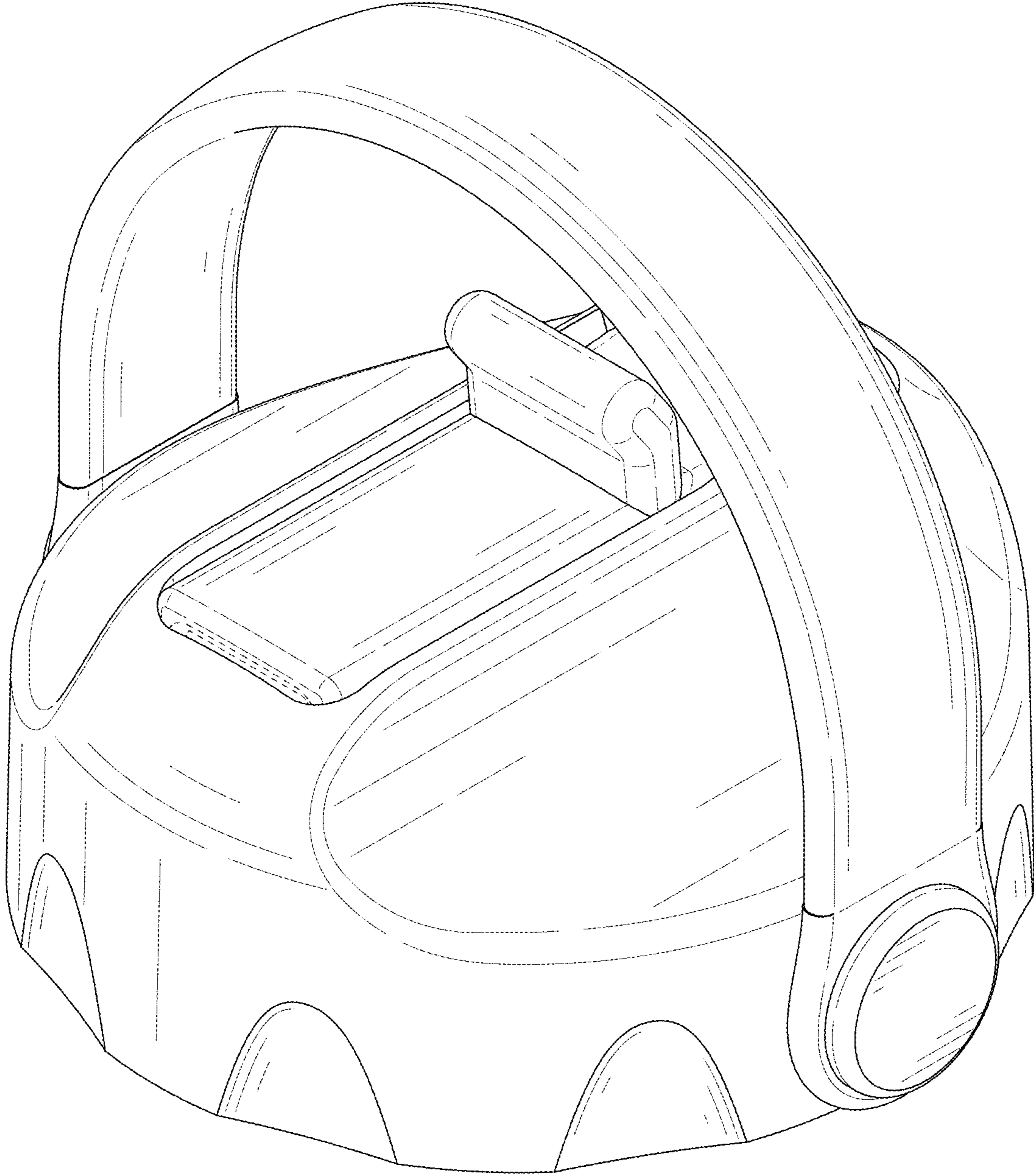


FIG. 2

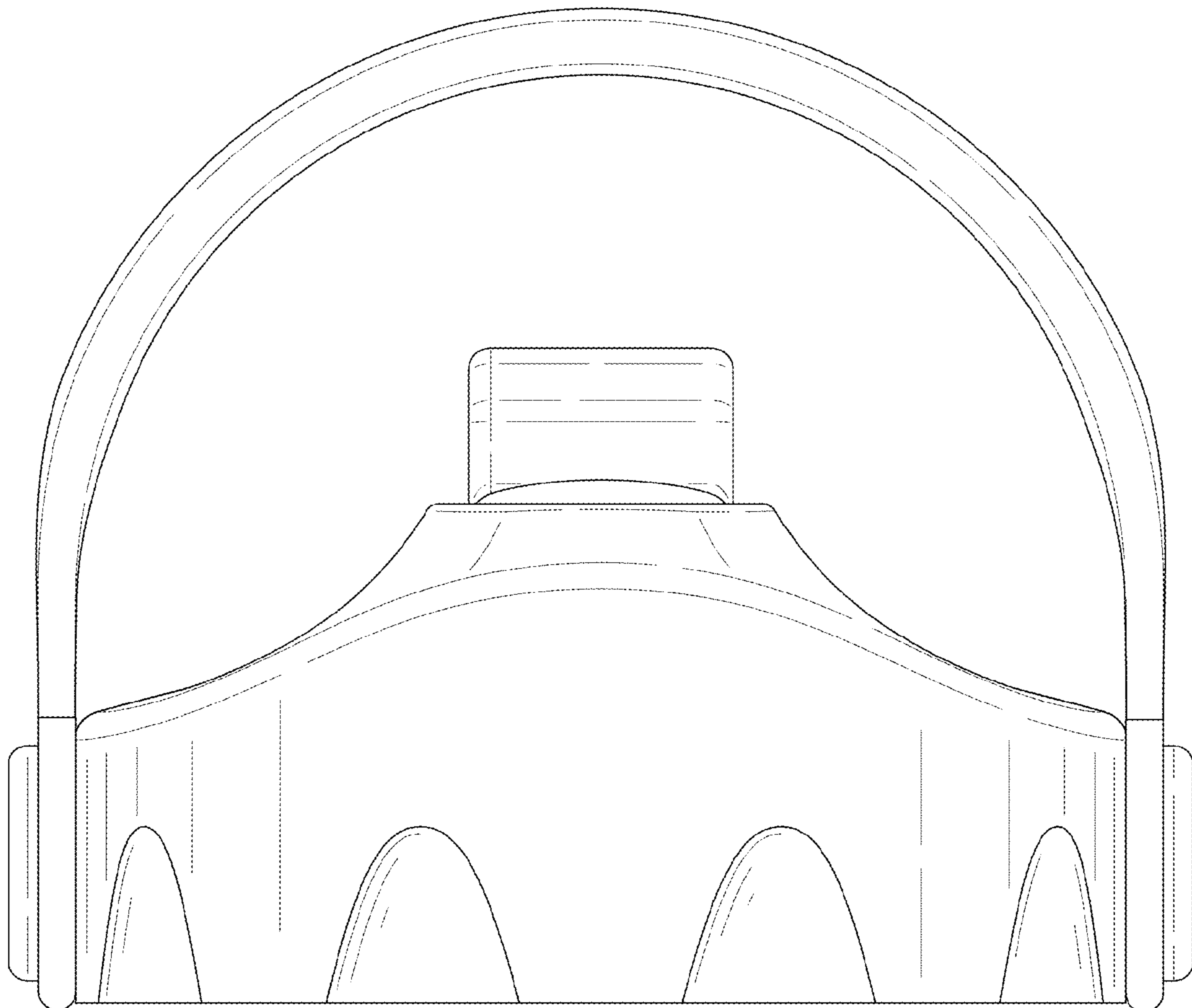


FIG. 3

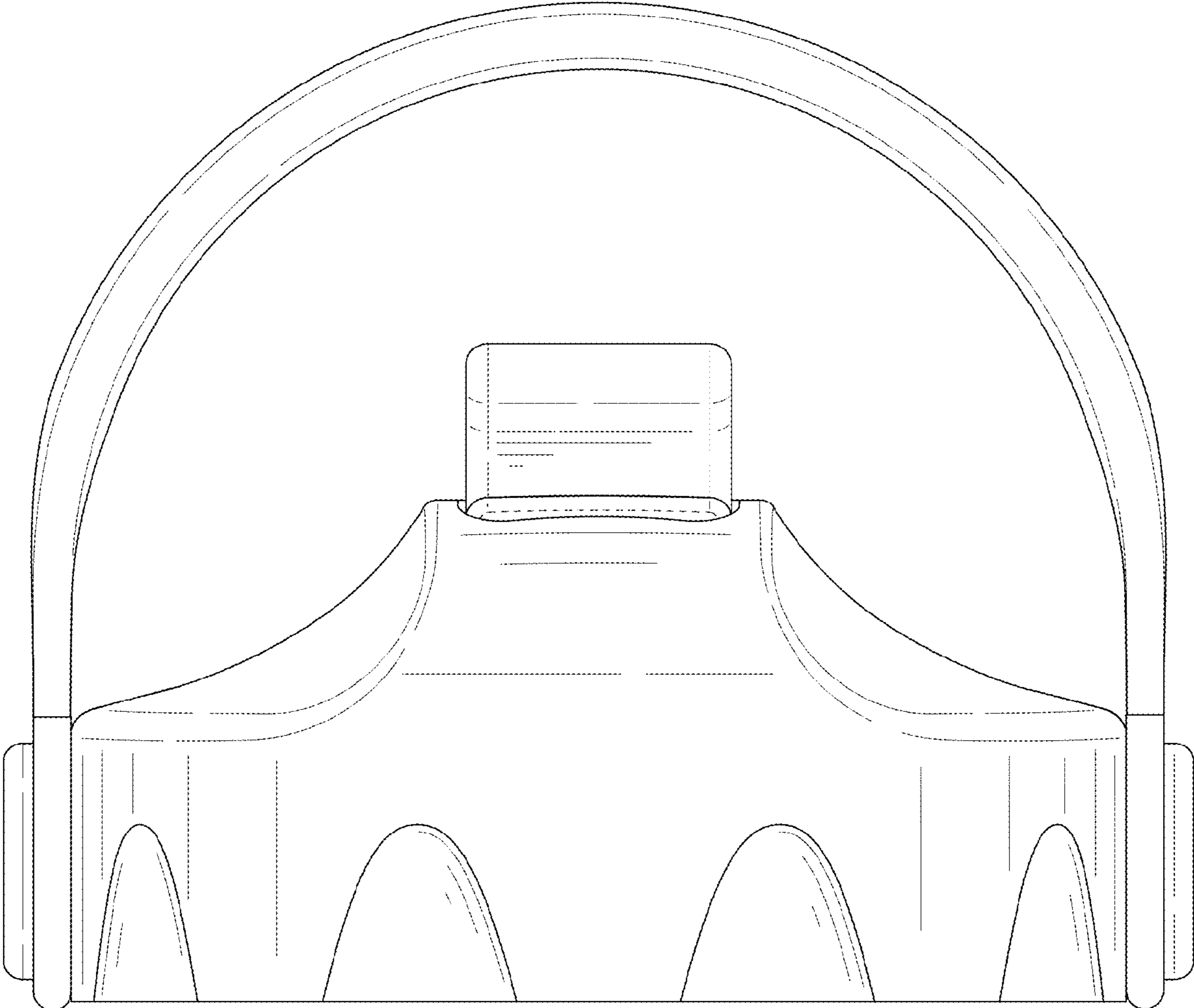


FIG. 4

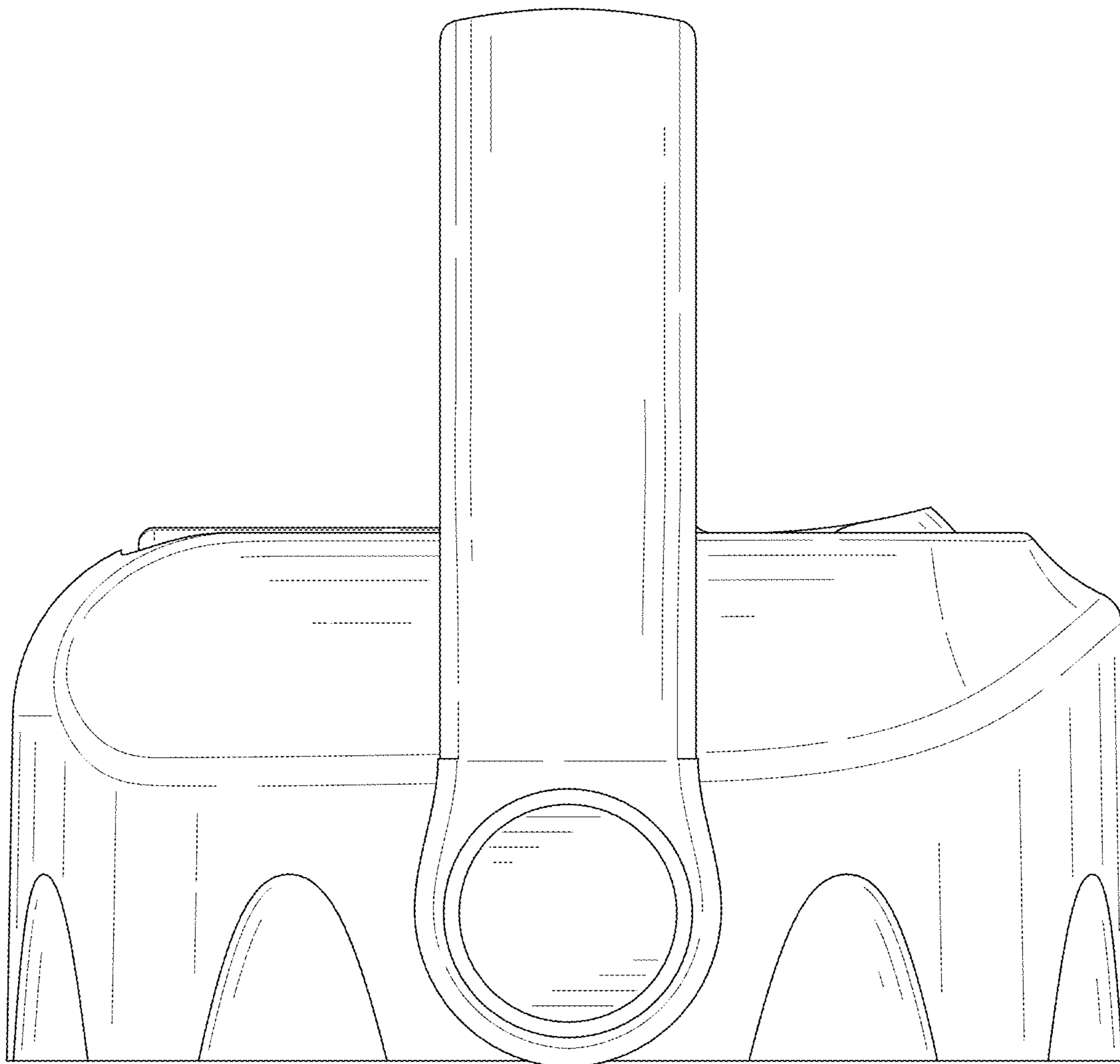


FIG. 5

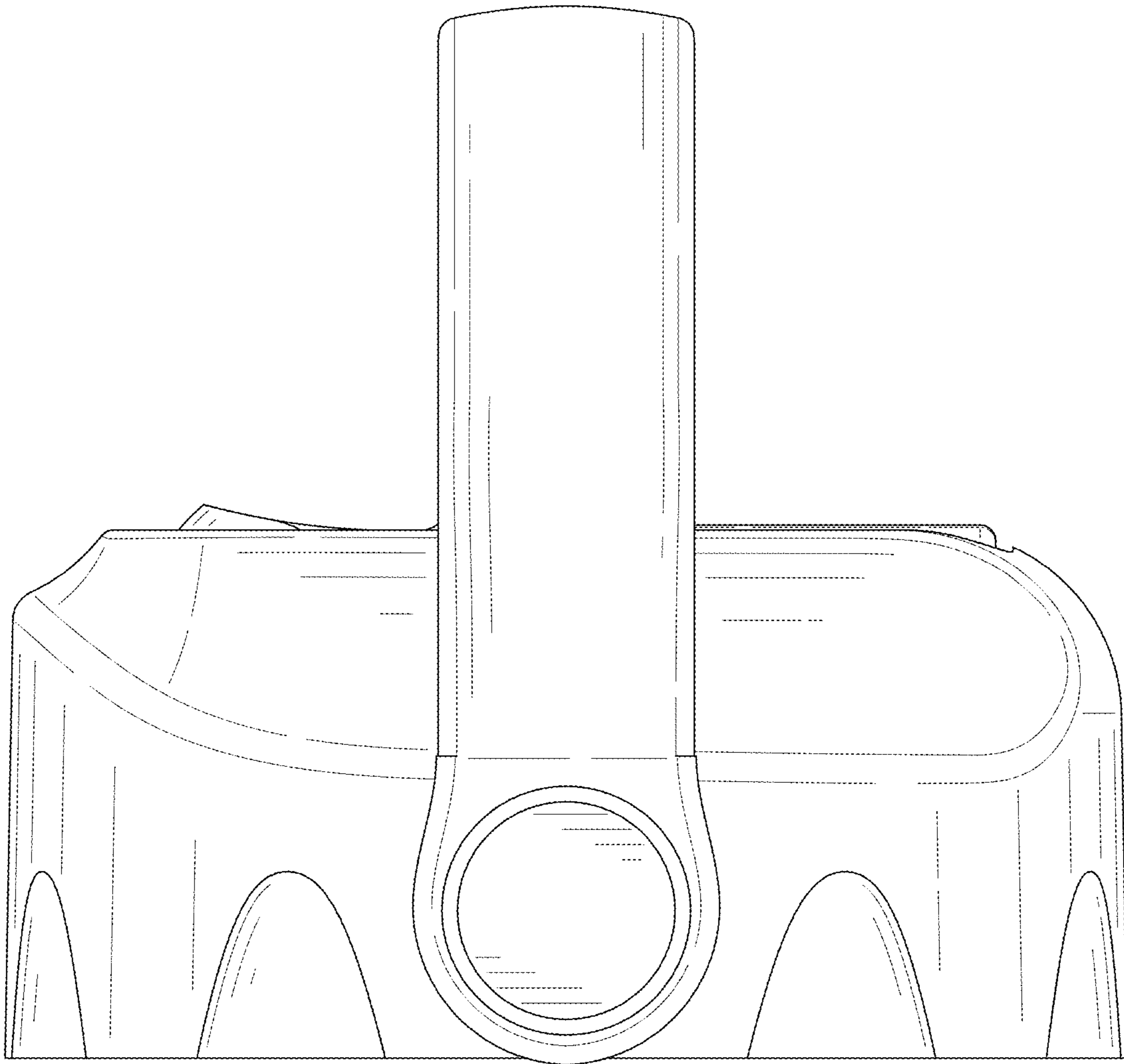


FIG. 6



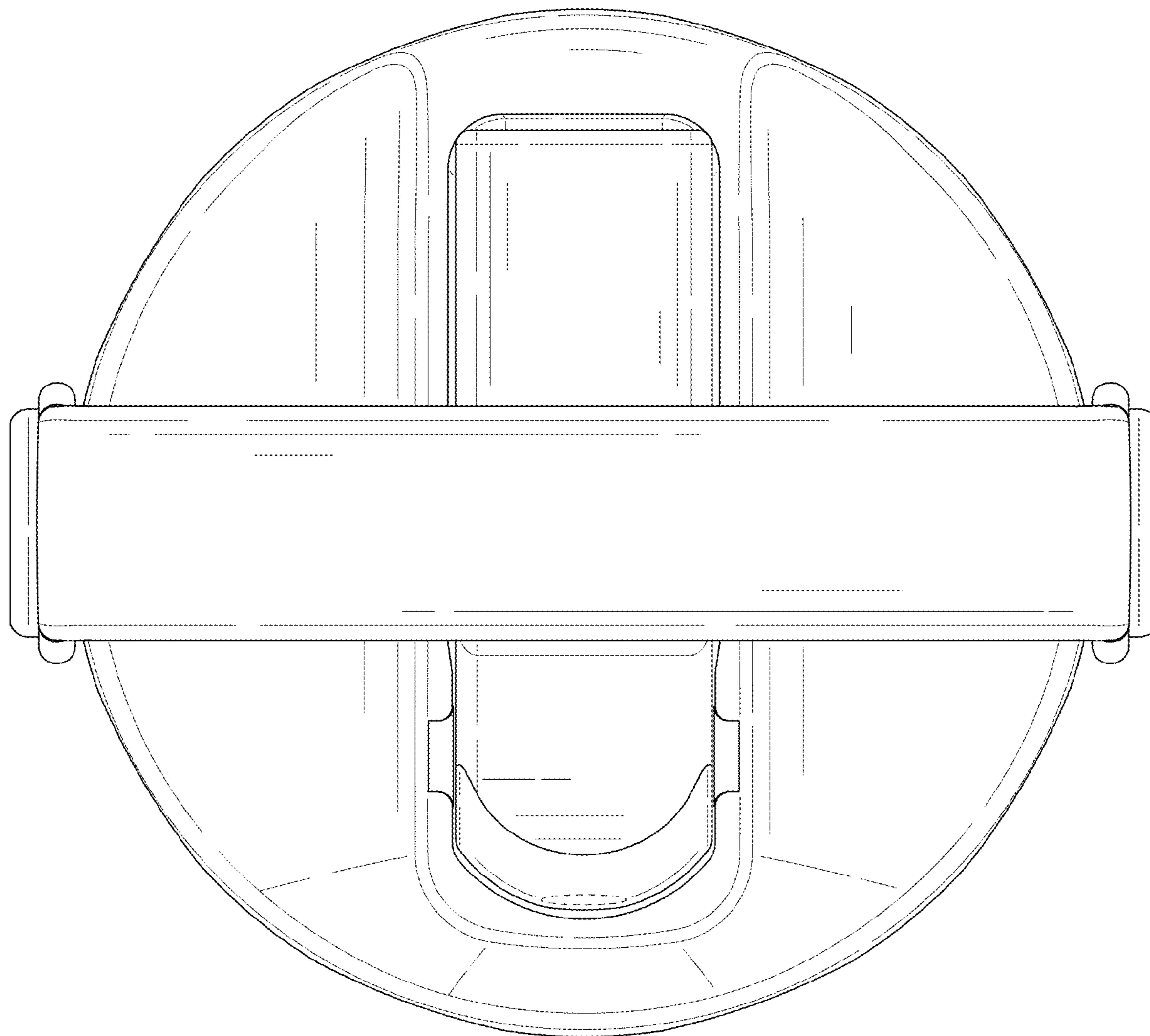


FIG. 7

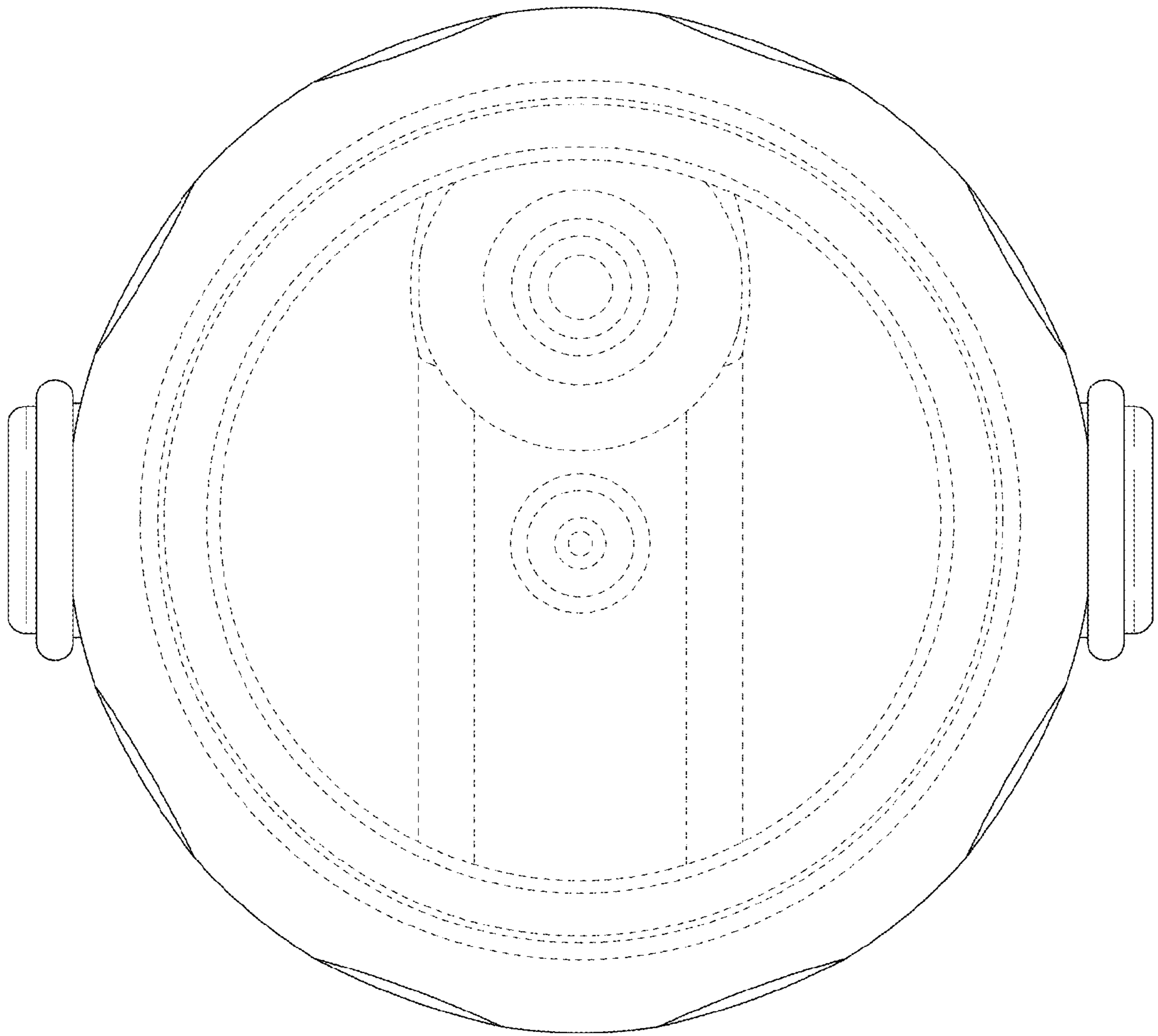


FIG. 8

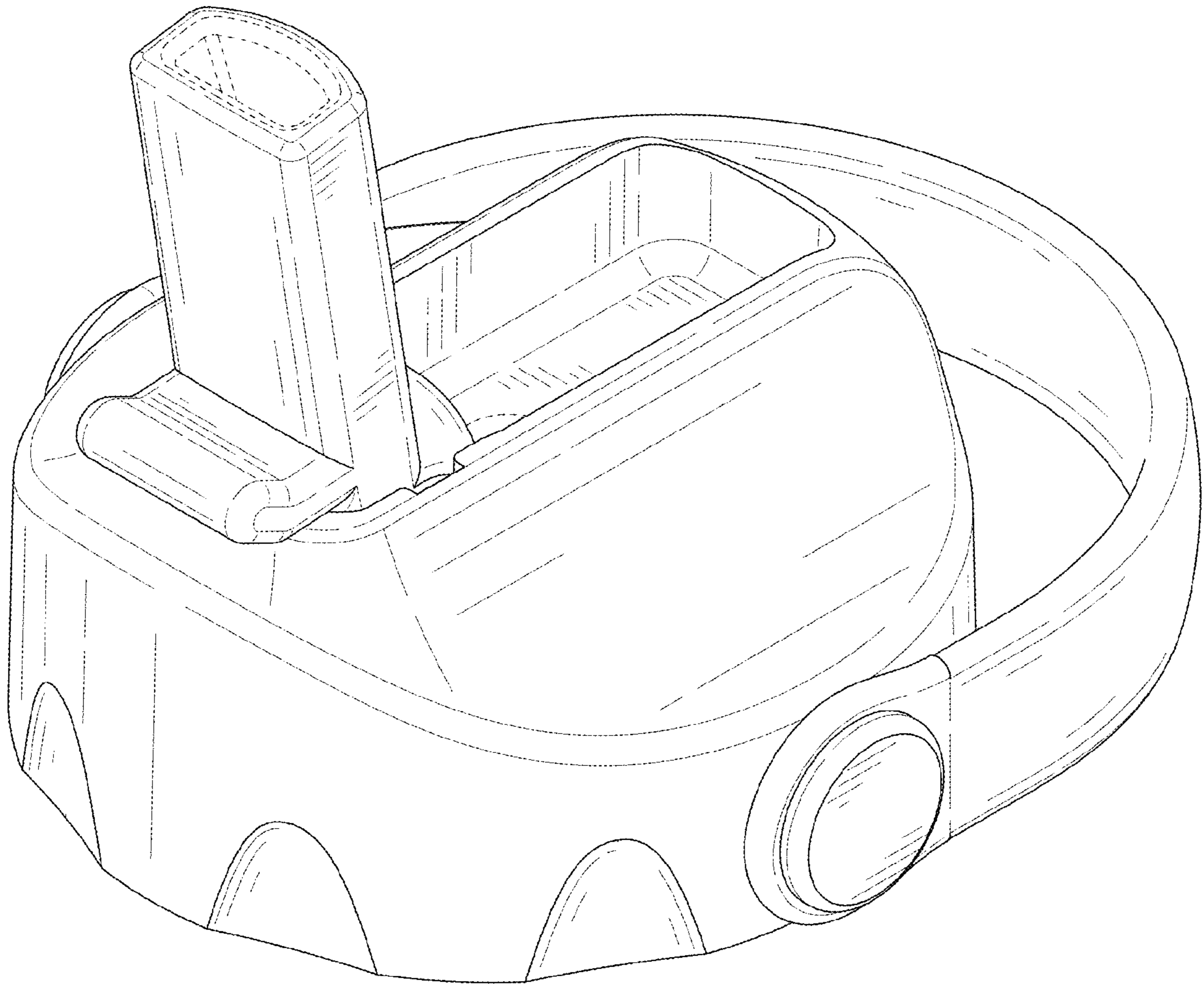


FIG. 9