



US00D982377S

(12) **United States Design Patent** (10) **Patent No.:** **US D982,377 S**
Finnance (45) **Date of Patent:** **** Apr. 4, 2023**

(54) **FOOD PROCESSOR**

FOREIGN PATENT DOCUMENTS

(71) Applicant: **Capbran Holdings, LLC**, Los Angeles, CA (US)
(72) Inventor: **Robert Finnance**, Los Angeles, CA (US)

CA 211763 * 5/2022
GB 6149941 * 7/2021
RU 00124597 * 4/2021

(73) Assignee: **Capbran Holdings, LLC**, Los Angeles, CA (US)

OTHER PUBLICATIONS

(**) Term: **15 Years**

Cuisinart Core Custom Food Processor, date of oldest review Mar. 2022 [online], [retrieved Jan. 5, 2023]. Retrieved from internet, <https://www.bedbathandbeyond.com/store/review/product/cuisinart-core-custom-multifunctional-13-cup-food-processor/5701613> (Year: 2022).*

(21) Appl. No.: **29/778,402**

(Continued)

(22) Filed: **Apr. 13, 2021**

(51) **LOC (14) Cl.** **31-00**

Primary Examiner — Nicole C Shiflet

(52) **U.S. Cl.**
USPC **D7/384**

Assistant Examiner — Yen Le Southwood

(58) **Field of Classification Search**
USPC D7/318, 303, 309, 321, 358, 369, 370, D7/371, 372, 373, 376, 377, 378, 379, D7/380, 381, 383, 384, 385, 386, 391, D7/396, 398, 412, 413, 414, 415, 586, D7/665, 669, 673, 676, 679, 693, 694, D7/695, 700, 393

(74) *Attorney, Agent, or Firm* — Trojan Law Offices

CPC A47J 36/2483; A47J 31/061; A47J 17/02; A47J 19/00; A47J 19/02; A47J 16/023; A47J 19/025; A47J 19/027; A47J 27/06; A47J 27/08; A47J 27/0804; A47J 27/0808; A47J 27/0815; A47J 27/21; A47J 27/212; A47J 27/56; A47J 27/57; A47J 27/575; A47J 36/10; A47J 31/40; A47J 31/42; A47J 31/4482; A47J 31/4485; A47J 31/4489; A47J 31/4496; A47J 31/46; A47J 31/407;

(57) **CLAIM**

The ornamental design for a food processor, as shown and described.

(Continued)

DESCRIPTION

(56) **References Cited**

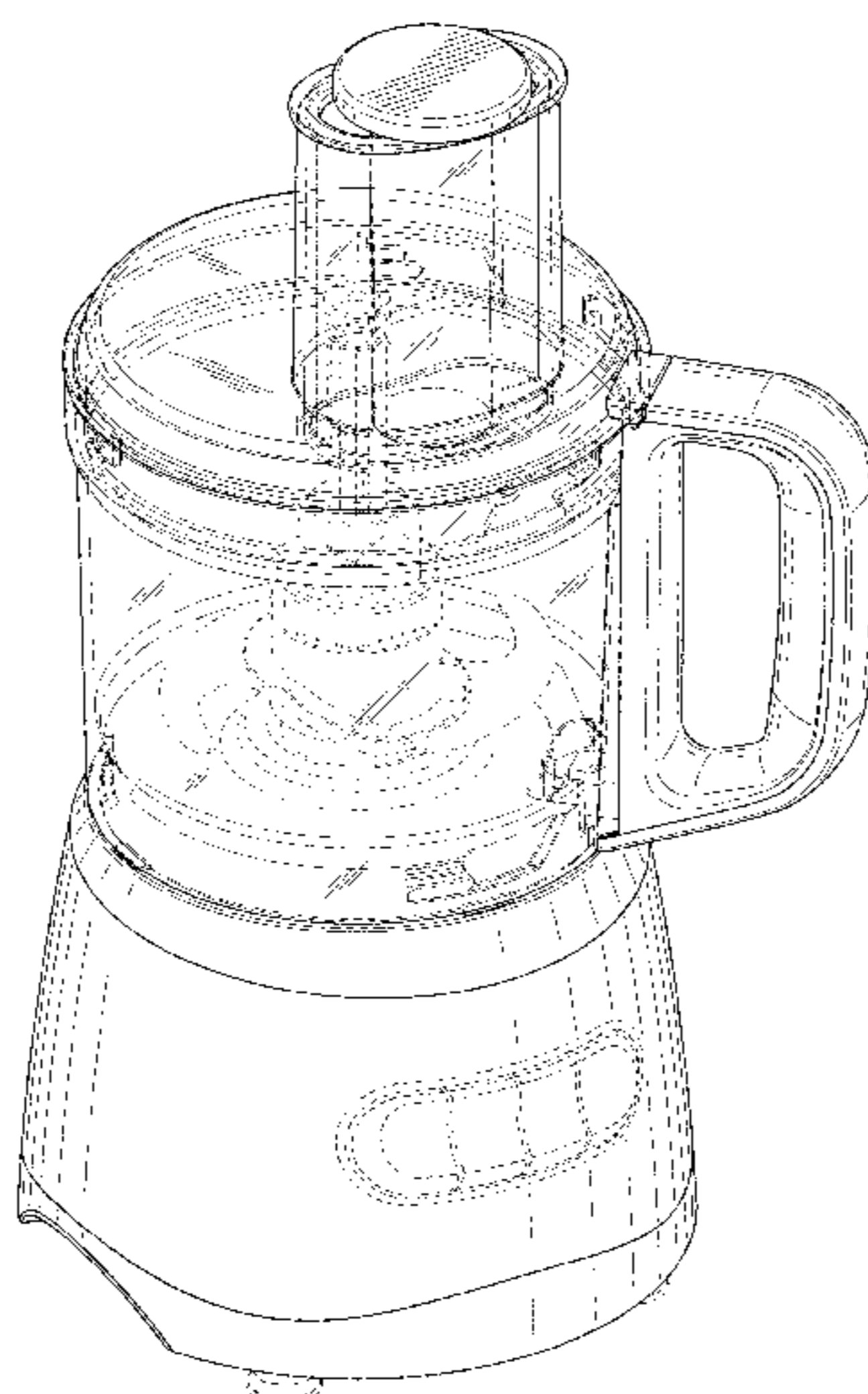
FIG. 1 is a front perspective view of a food processor, showing my new design;
FIG. 2 is a left perspective view of the food processor of FIG. 1;
FIG. 3 is a back perspective view of the food processor of FIG. 1;
FIG. 4 is a right perspective view of the food processor of FIG. 1;
FIG. 5 is a back view of the food processor of FIG. 1;
FIG. 6 is a left view of the food processor of FIG. 1;
FIG. 7 is a front view of the food processor of FIG. 1;
FIG. 8 is a right view of the food processor of FIG. 1;
FIG. 9 is a top view of the food processor of FIG. 1; and, FIG. 10 is a bottom view of the food processor of FIG. 1. The broken lines showing portions of the article form no part of the claimed design.

U.S. PATENT DOCUMENTS

D396,994 S * 8/1998 Carrino D7/393
D746,630 S * 1/2016 Ji D7/378

(Continued)

1 Claim, 10 Drawing Sheets



(58) **Field of Classification Search**

CPC .. A47J 31/50; A47J 31/18; A47J 31/00; A47J 42/02; A47J 42/04; A47J 42/06; A47J 42/12; A47J 42/14; A47J 42/16; A47J 42/50; A47J 42/30; A47J 43/00; A47J 43/04; A47J 43/042; A47J 43/044; A47J 43/046; A47J 43/12; A47J 43/25; A47J 43/255; A47J 43/07; A47J 43/0727; A47J 43/0711; A47J 43/0722; A47J 43/1087; A47J 43/1093; A47J 43/121; A47J 43/122; A47J 43/0716; A47J 2043/04409; A47J 2043/04418; A47J 2043/04427; A47J 2043/04454; A47J 2043/04481; A47J 44/00; A47J 2031/0694; A21C 1/02; A01J 11/04

See application file for complete search history.

(56) **References Cited**

U.S. PATENT DOCUMENTS

D892,538 S * 8/2020 Finnance D7/378
D898,517 S * 10/2020 McConnell D7/378

2011/0075506 A1* 3/2011 Kafer A47J 43/046
366/99
2022/0040652 A1* 2/2022 Schandel A47J 43/0722

OTHER PUBLICATIONS

Nutribullet Food Processor, posted Sep. 30, 2021 [online], [retrieved Jan. 5, 2023]. Retrieved from internet, <https://www.amazon.com/nutribullet-NBP50100-Processor-450-Watts-Attachments/dp/B09HLDD4MQ> (Year: 2021).*

Nutribullet Magic Bullet, posted Aug. 18, 2020 [online], [retrieved Jan. 5, 2023]. Retrieved from internet, <https://www.amazon.com/Magic-Bullet-MB50200-Kitchen-Express/dp/B08G5VMGYX> (Year: 2020).*

* cited by examiner



FIG. 1

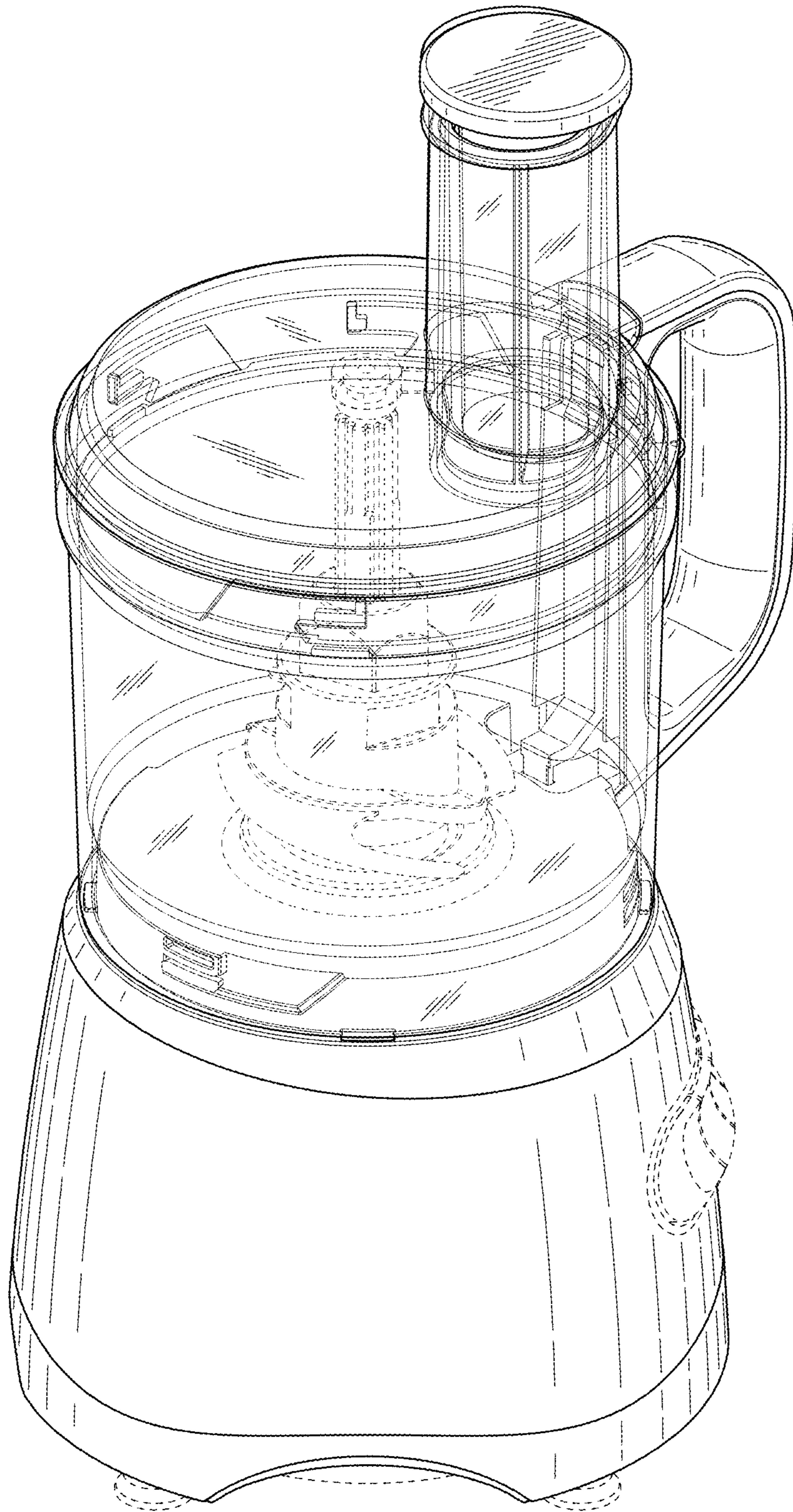


FIG. 2

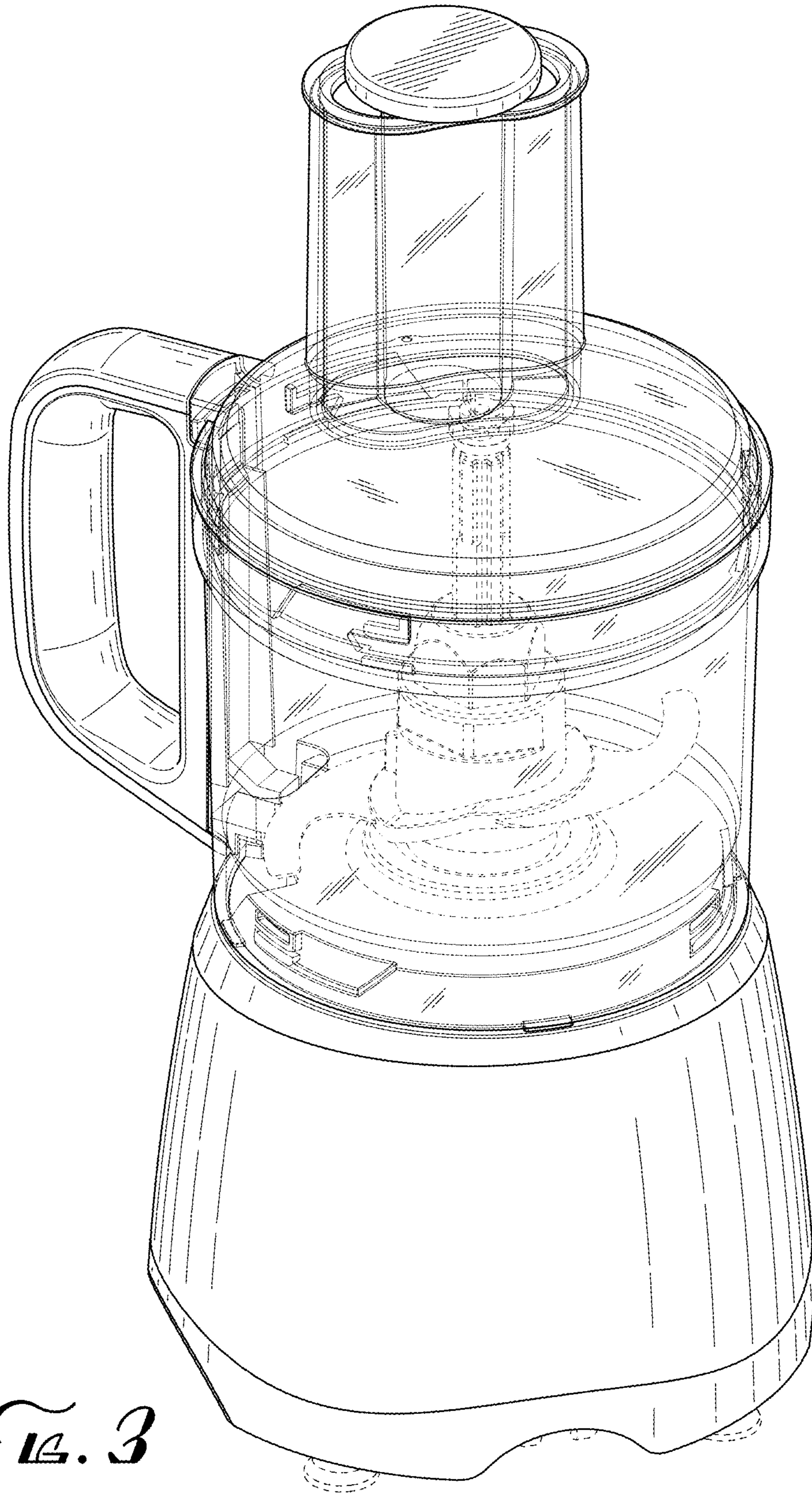


FIG. 3

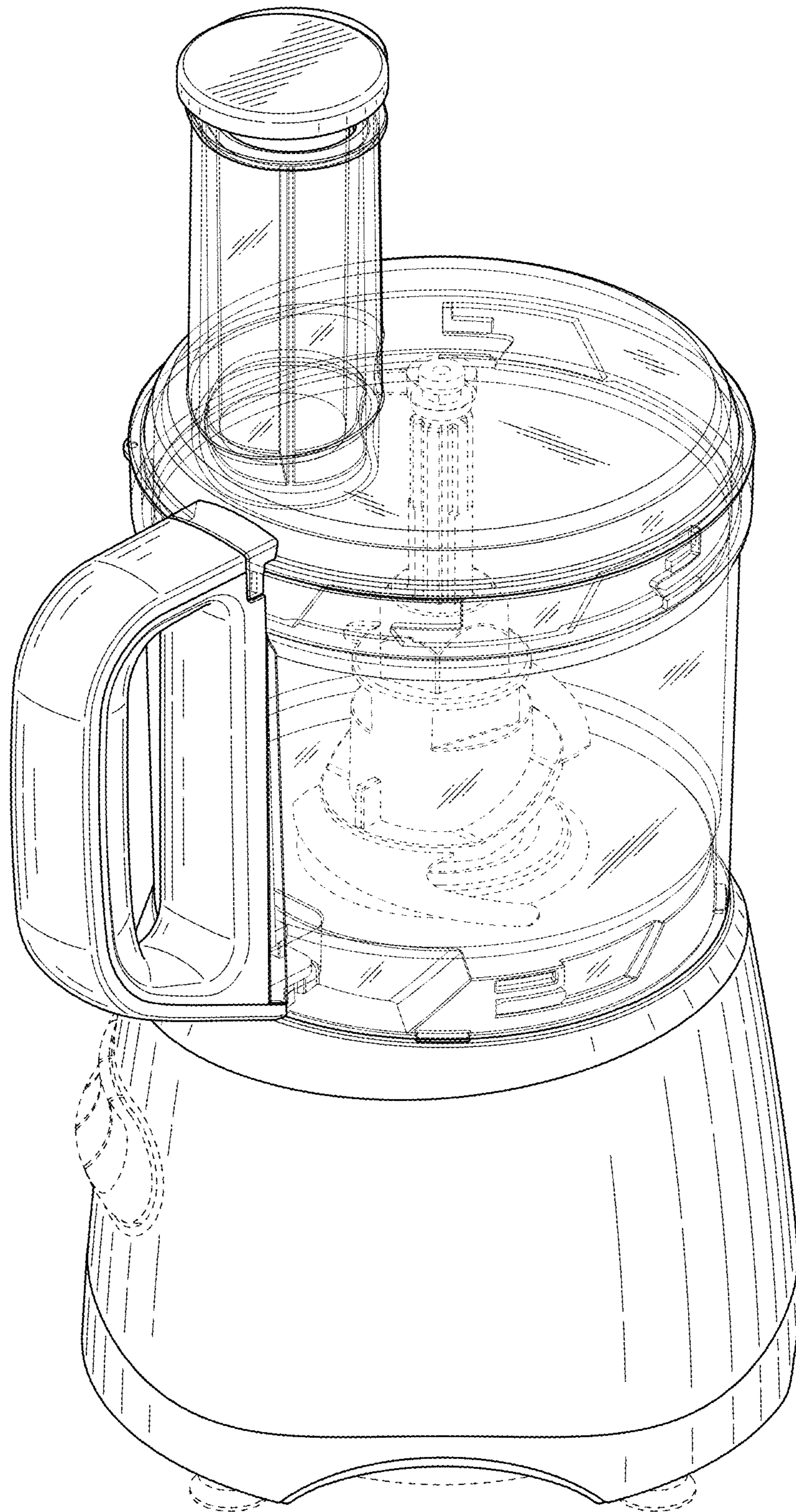


FIG. 4

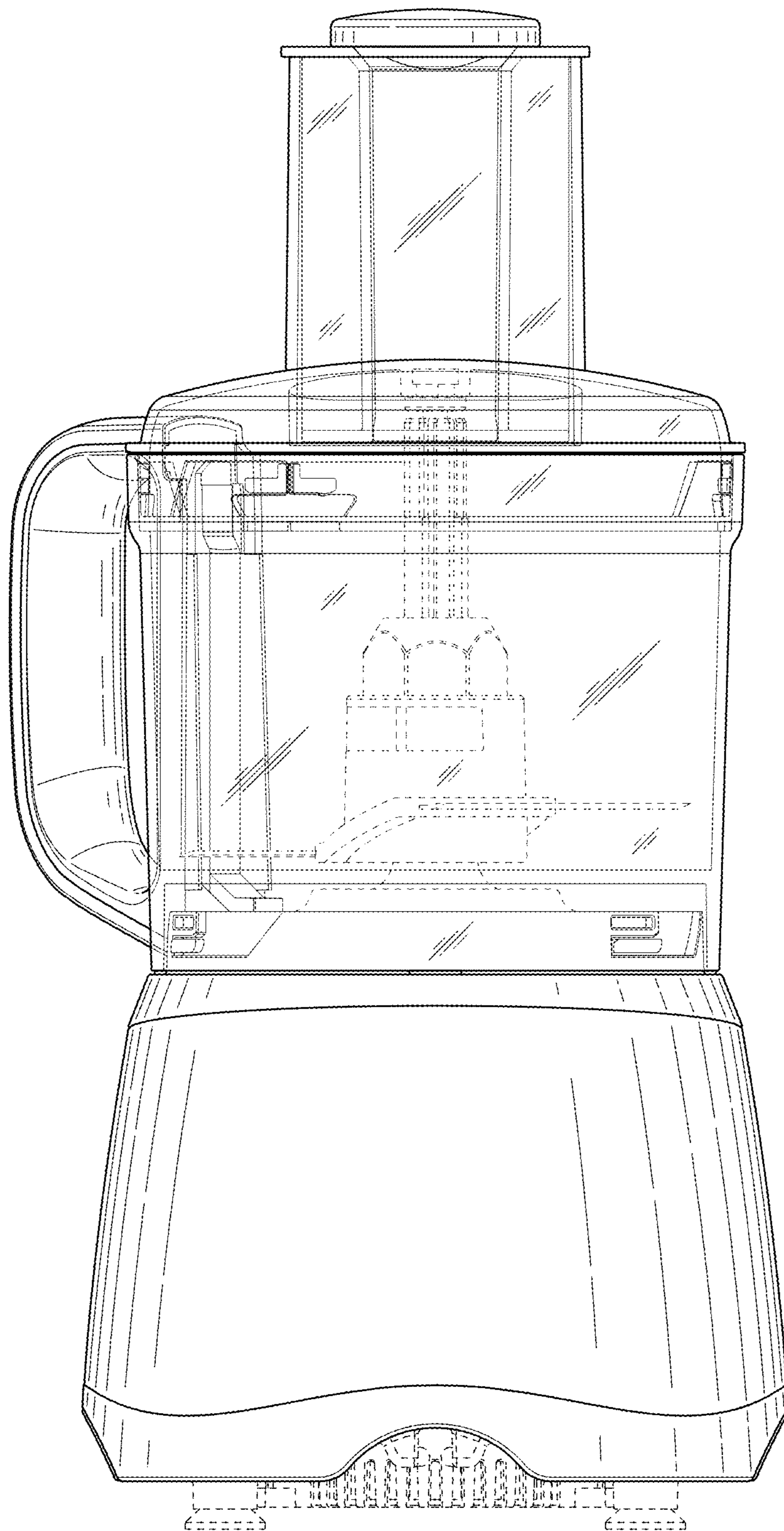


FIG. 5

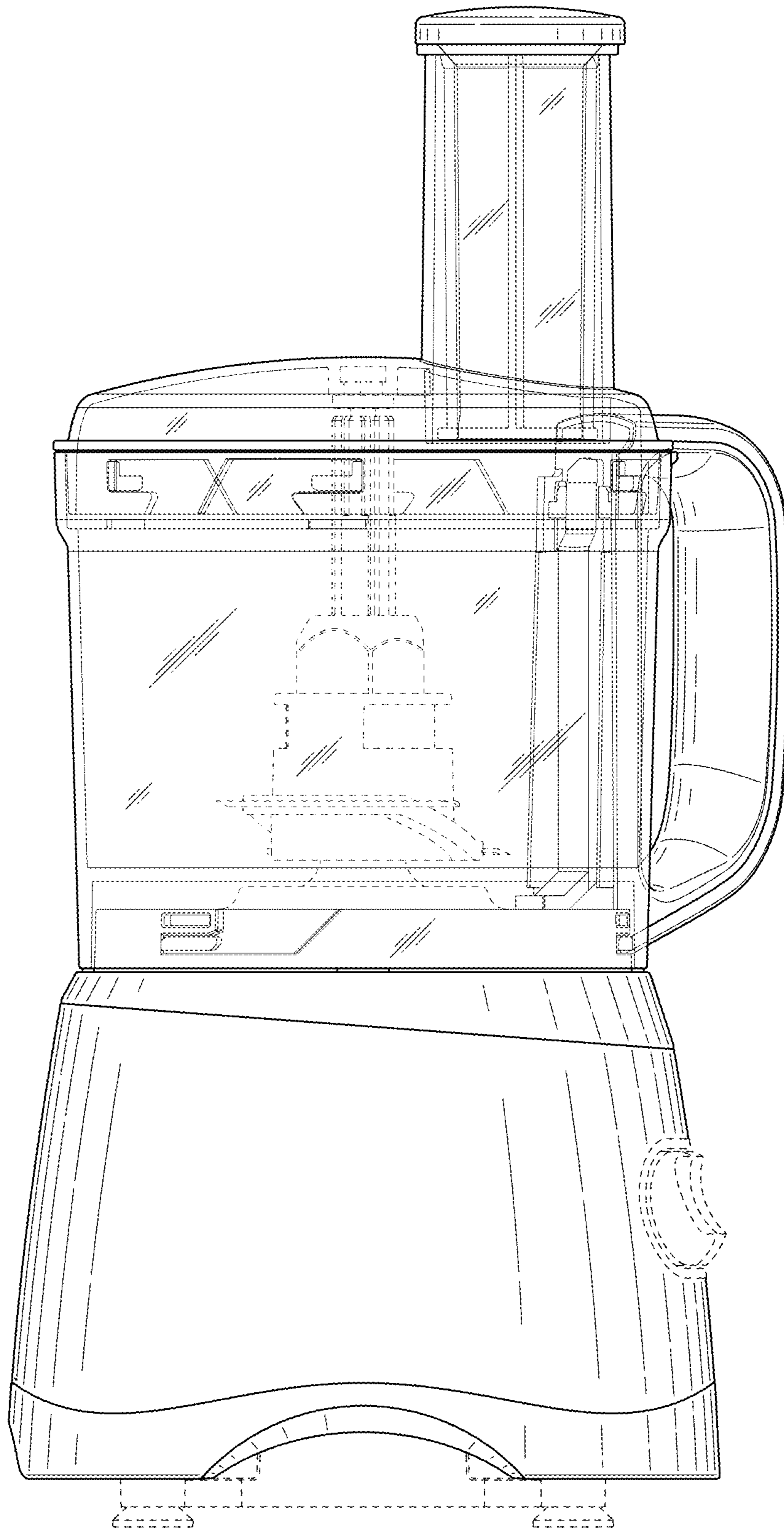


FIG. 6

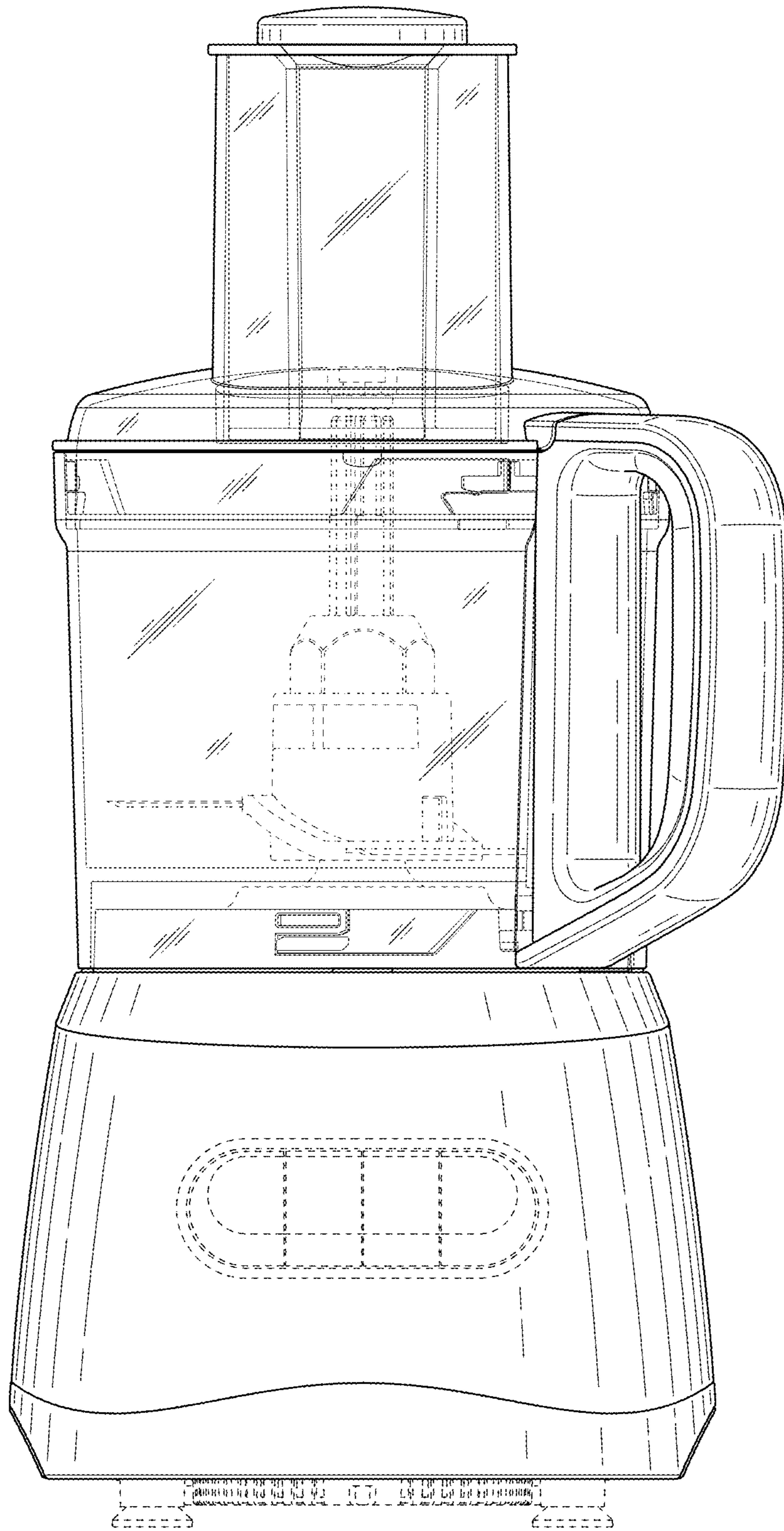


FIG. 7

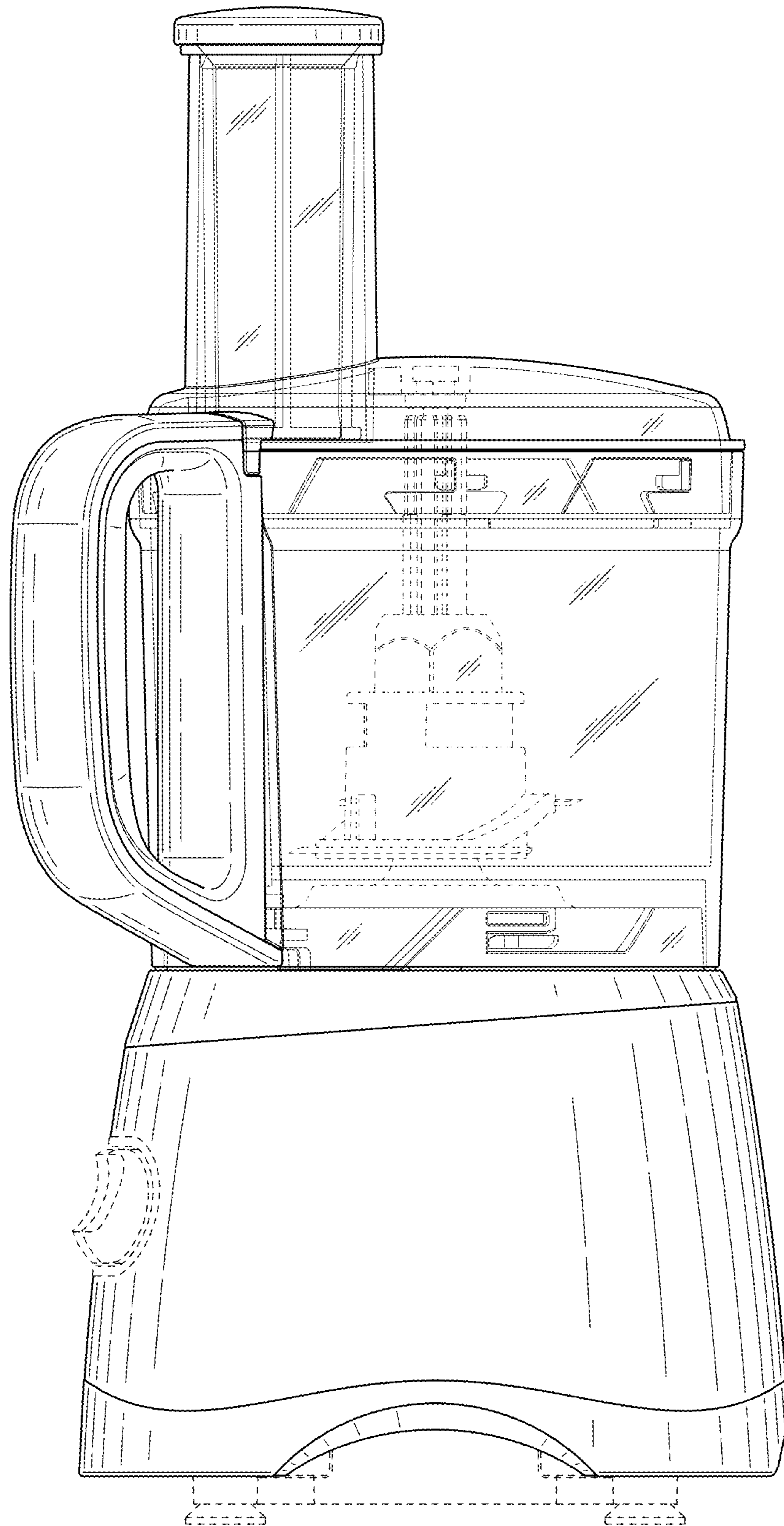


FIG. 8

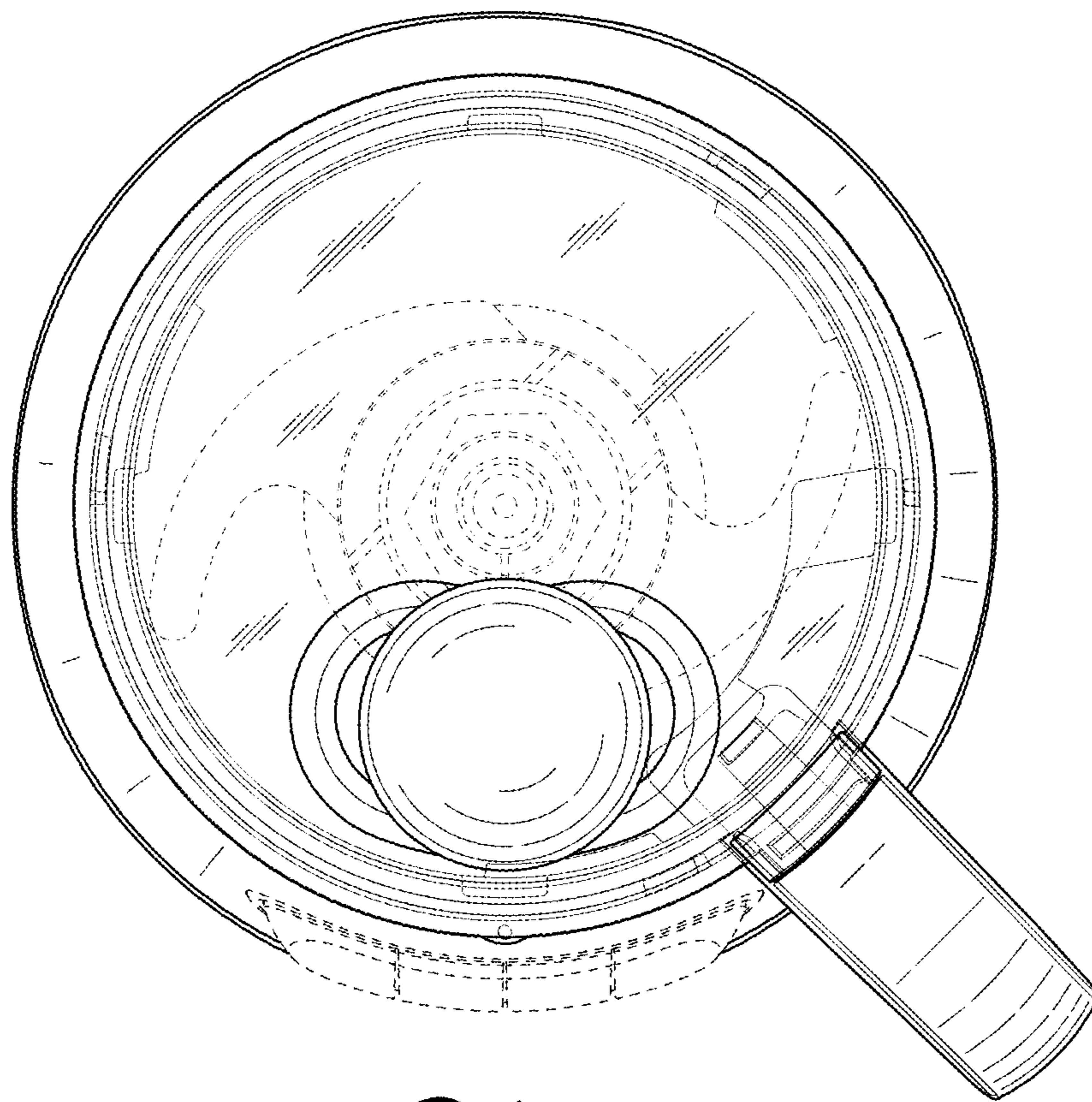


FIG. 9

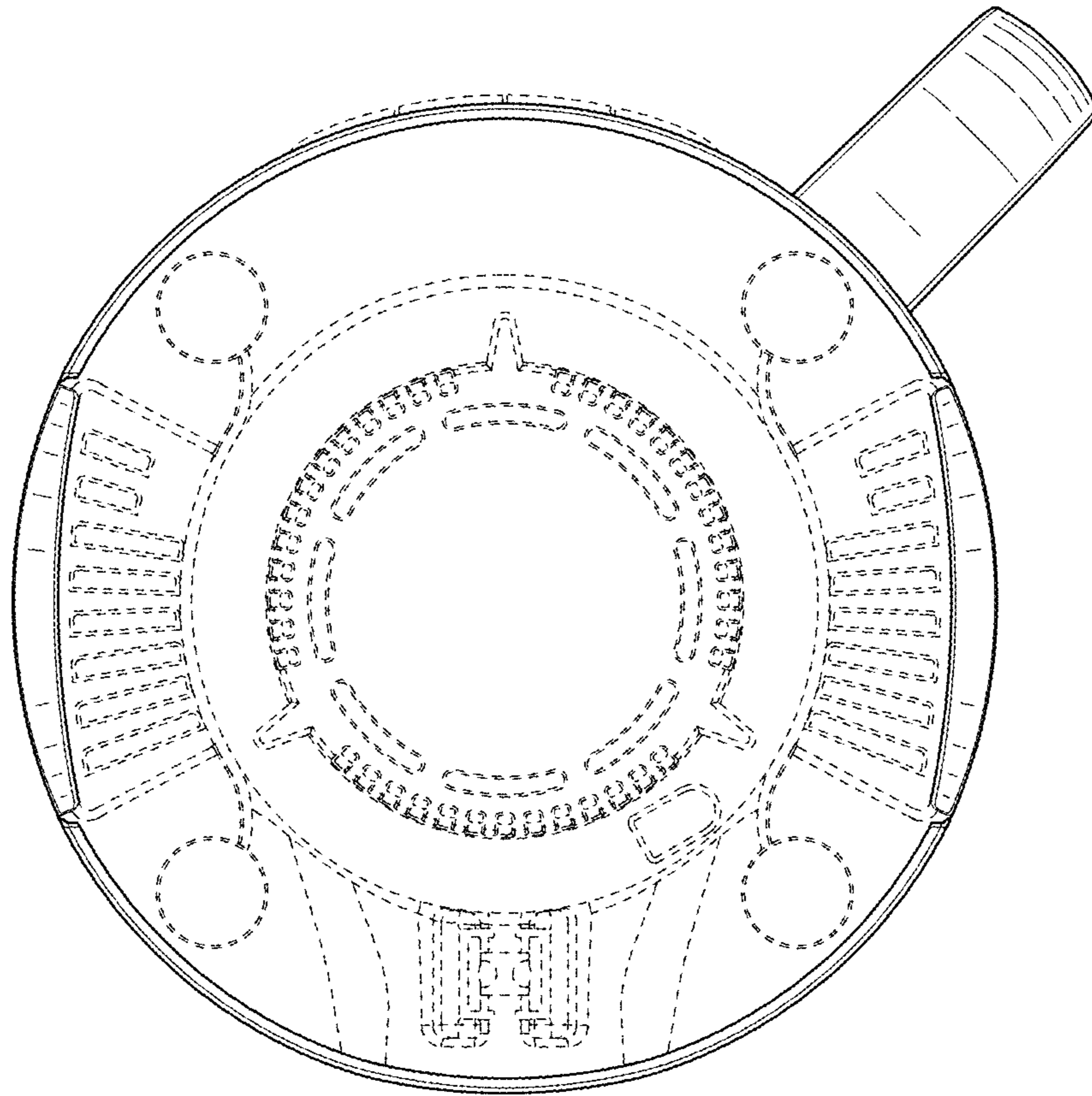


FIG. 10