



US00D982376S

(12) **United States Design Patent**
Krus et al.

(10) **Patent No.:** **US D982,376 S**

(45) **Date of Patent:** **** Apr. 4, 2023**

(54) **SMORES MAKER**

(71) Applicant: **Lifetime Brands, Inc.**, Garden City, NY (US)

(72) Inventors: **Matt Krus**, Seattle, WA (US); **Ian Morgan**, Seattle, WA (US); **Sami Piercy**, Seattle, WA (US)

(73) Assignee: **Lifetime Brands, Inc.**, Garden City, NY (US)

(**) Term: **15 Years**

(21) Appl. No.: **29/779,131**

(22) Filed: **Apr. 16, 2021**

(51) **LOC (14) Cl.** **07-02**

(52) **U.S. Cl.**
USPC **D7/356; D7/354; D7/357**

(58) **Field of Classification Search**
USPC D7/323, 354-361, 391
CPC .. A47J 27/00; A47J 27/04; A47J 27/05; A47J 27/08; A47J 27/09; A47J 27/092; A47J 36/025; A47J 36/06; A47J 36/08; A47J 36/10; A47J 36/12; A47J 36/26; A47J 37/12; A47J 37/1204; A47J 37/1209; H05B 6/02; H05B 6/06; H05B 6/12
See application file for complete search history.

(56) **References Cited**

U.S. PATENT DOCUMENTS

2,932,293 A * 4/1960 Rassieur A47J 27/04
D7/354
D347,142 S * 5/1994 Falvo D7/391

D578,336 S * 10/2008 Kim D7/354
D725,958 S * 4/2015 Karako D7/354
2017/0143161 A1* 5/2017 Masterson A47J 36/26

OTHER PUBLICATIONS

Chef'n Sweet Spot Tabletop Smores Maker. Date First Available on Amazon.com Sep. 30, 2021. <https://www.amazon.com/Chefn-Tabletop-Smores-Indoors-Outdoors/dp/B09HLCDFY/ref> (Year: 2021).*

* cited by examiner

Primary Examiner — Ricky Pham

(74) *Attorney, Agent, or Firm* — Tutunjian & Bitetto, P.C.

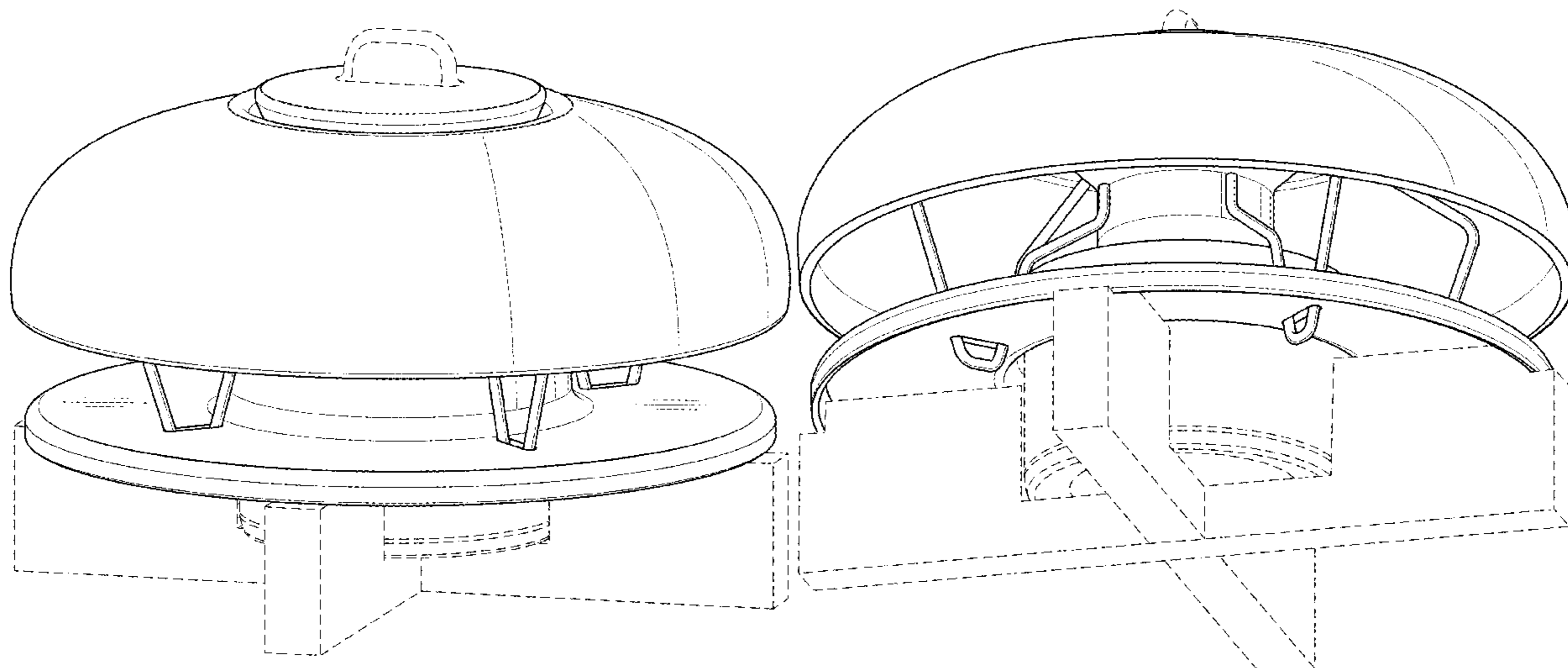
(57) **CLAIM**

The ornamental design for a smores maker, as shown and described.

DESCRIPTION

FIG. 1 is a top perspective view of the smores maker showing our new design;
FIG. 2 is a bottom perspective view thereof;
FIG. 3 is a front view thereof, the rear view being identical to the front view;
FIG. 4 is a right side view thereof, the left side being identical to the right side view;
FIG. 5 is a top view thereof; and,
FIG. 6 is a bottom view thereof.
The broken lines in the drawings depict structure that forms no part of the claimed design.

1 Claim, 6 Drawing Sheets



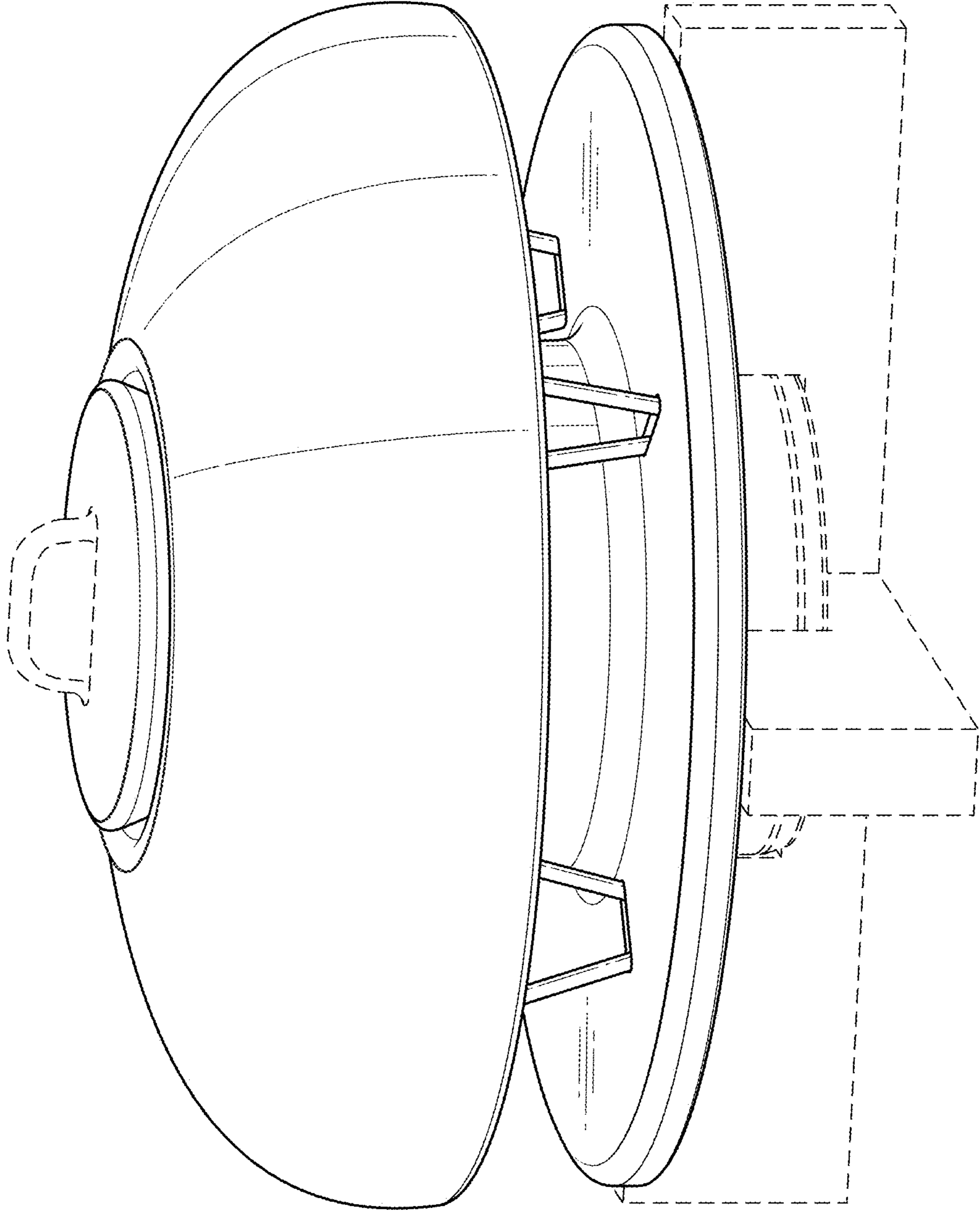


FIG. 1

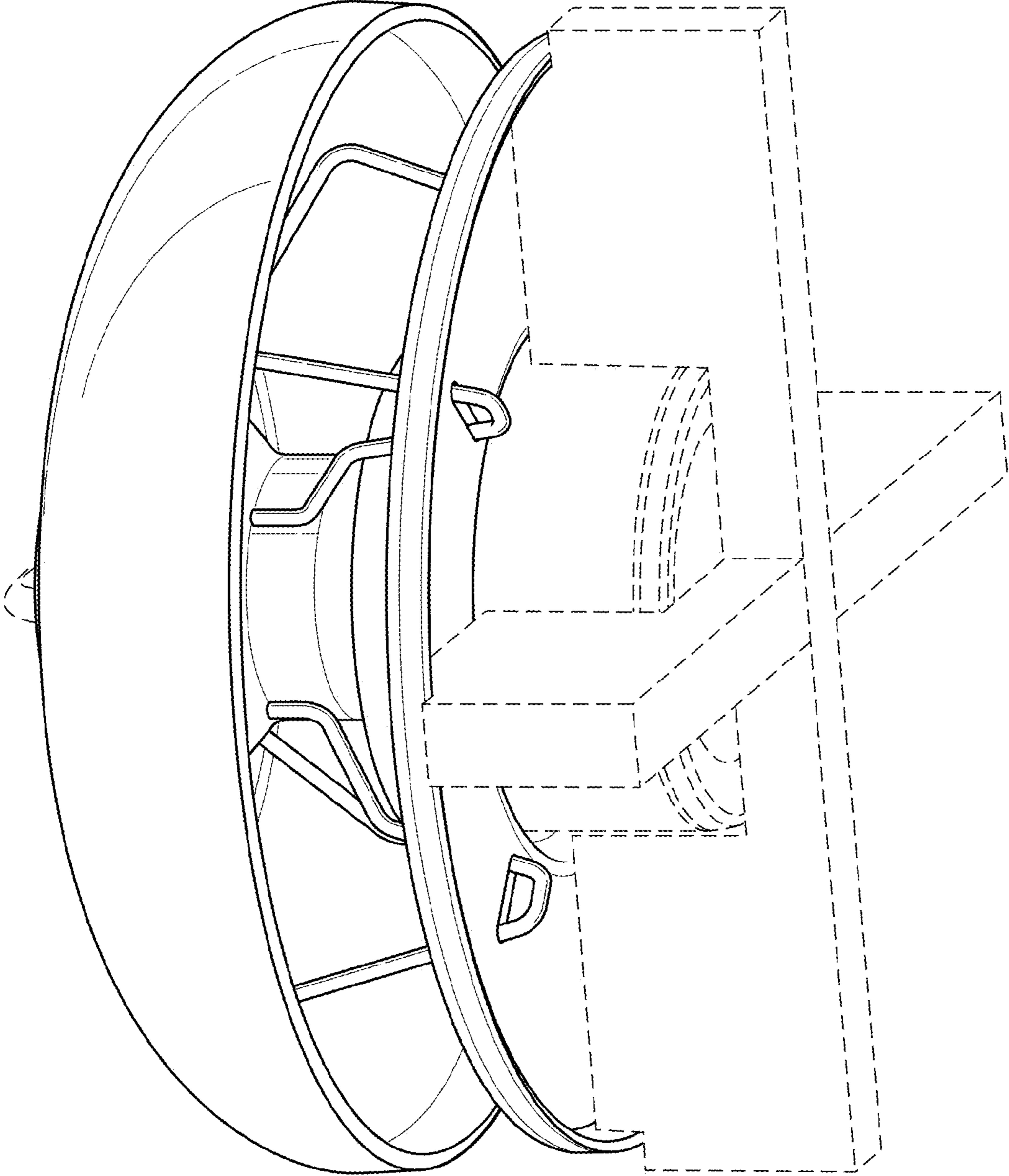


FIG. 2

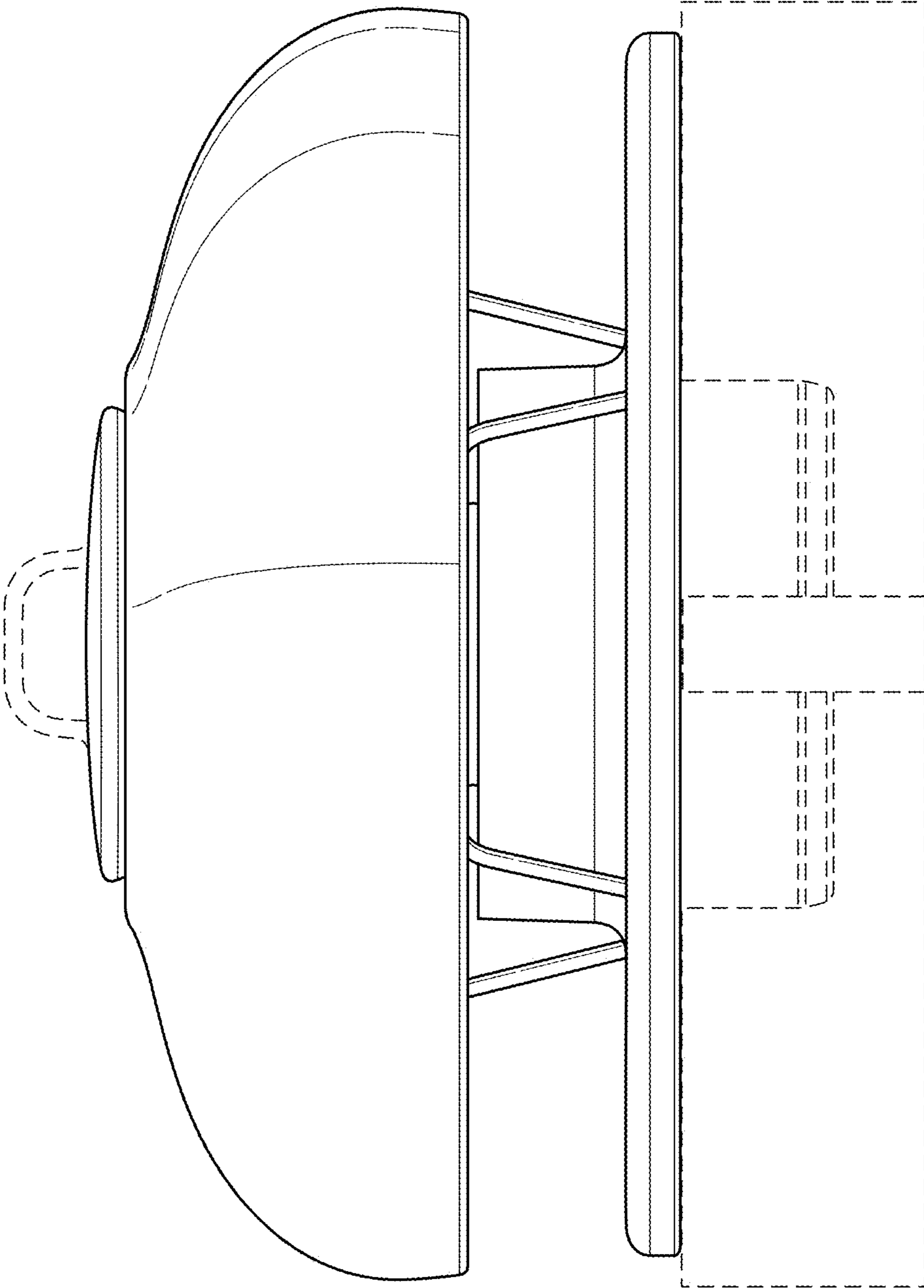


FIG. 3

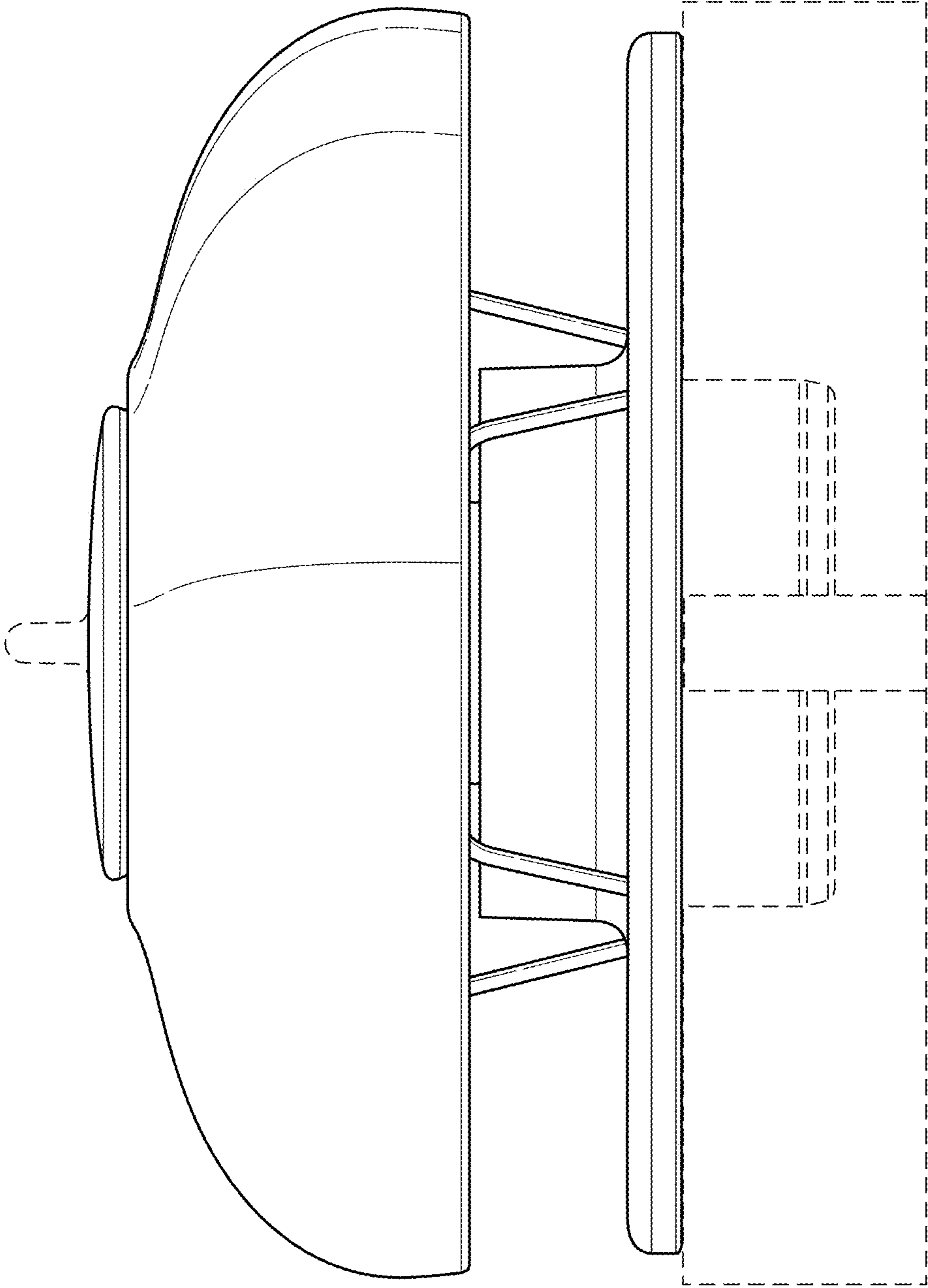


FIG. 4

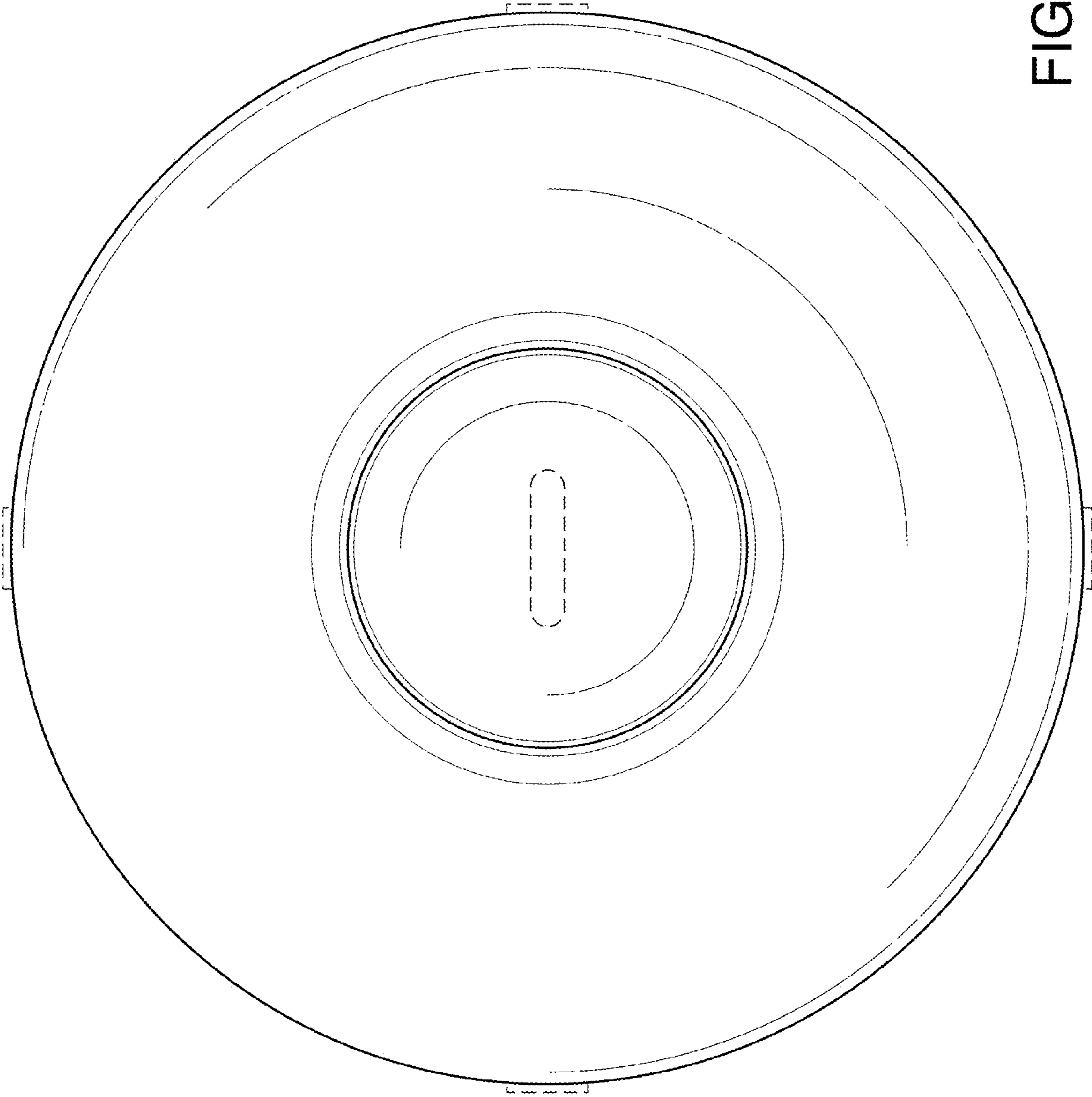


FIG. 5

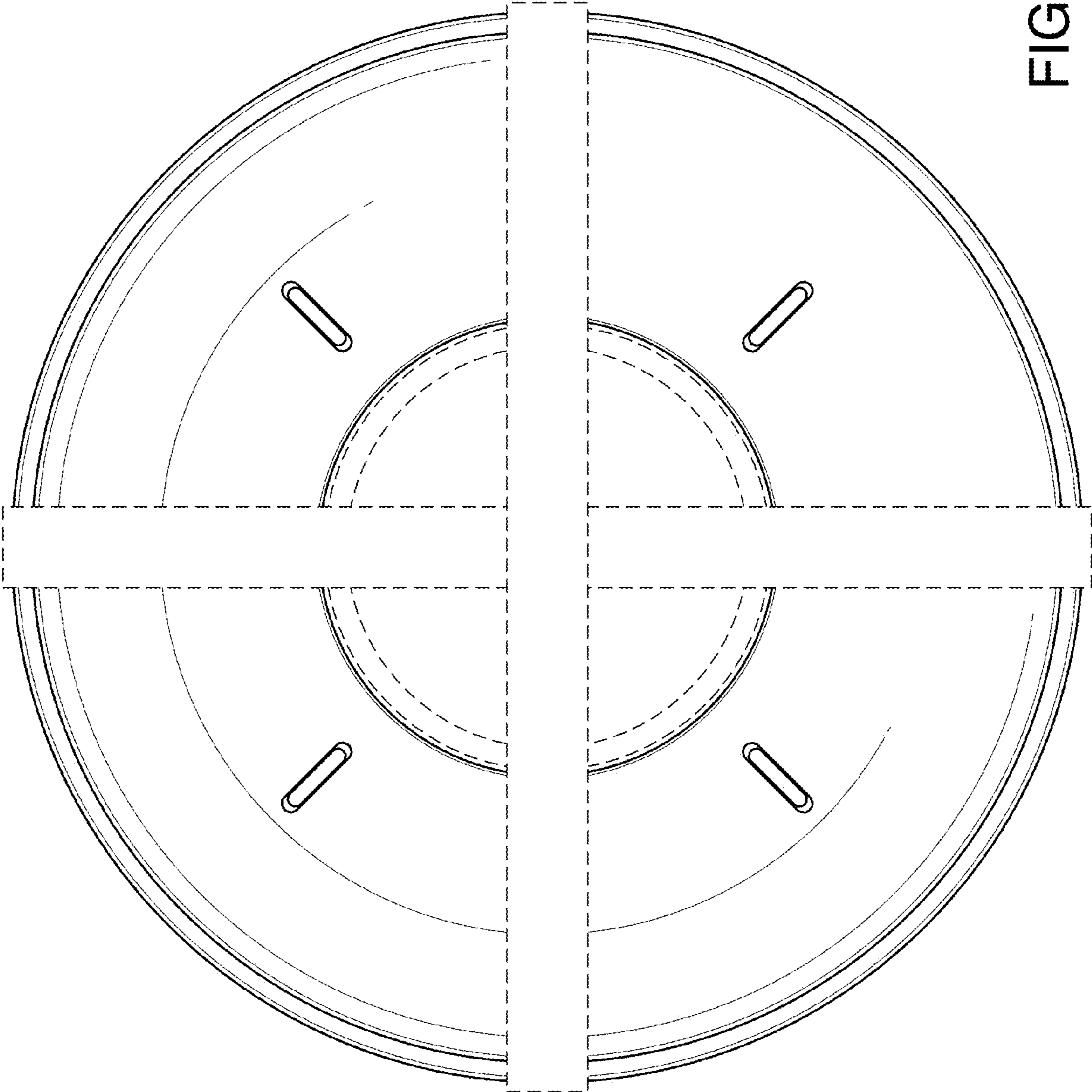


FIG. 6