



US00D982375S

(12) **United States Design Patent**
Anthony et al.

(10) **Patent No.:** **US D982,375 S**
(45) **Date of Patent:** **** Apr. 4, 2023**

(54) **FOOD PREPARATION DEVICE**
(71) Applicant: **SHARKNINJA OPERATING LLC,**
Needham, MA (US)

1,994,268 A 3/1935 Bartels
D105,670 S 8/1937 Nelson
2,188,757 A 1/1940 Moon
(Continued)

(72) Inventors: **Joshua D. Anthony,** North Billerica,
MA (US); **Dan Kestenbaum,**
Brookline, MA (US); **Gary V.**
Palladino, Roslindale, MA (US)

FOREIGN PATENT DOCUMENTS

CM 107296494 A 10/2017
CM 108261055 A 7/2018
(Continued)

(73) Assignee: **SharkNinja Operating LLC,**
Needham, MA (US)

OTHER PUBLICATIONS

(**) Term: **15 Years**

Ninja Foodi 5 in 1 Indoor Grill: Announced [May 8, 2019 (online)].
Site Visited [Apr. 14, 2022]. Available from Internet URL: <https://direct.ninjakitchen.com/16/products/ninja-foodi-grill-ag302/16/microsite/ogxvii/>.*

(21) Appl. No.: **29/694,045**

(22) Filed: **Jun. 6, 2019**

(Continued)

(51) **LOC (14) Cl.** **07-02**

(52) **U.S. Cl.**
USPC **D7/350.3**

(58) **Field of Classification Search**
USPC D7/323, 331, 332, 334, 335, 338, 339,
D7/340, 341, 346, 347, 348, 349, 350.1,
D7/350.3, 350.4, 351, 354, 357, 358, 362,
D7/363, 364, 365, 390, 402-409;
D23/314, 322, 323, 329, 330, 341;
D99/28, 43; D6/559, 663, 675, 699.1,
D6/699.2, 699.3, 699.4, 699.5, 705.5
CPC A47J 37/0641; A47J 37/0629; A47J
37/0664; A47J 37/0676; A47J 2202/00;
A47J 37/00; A47J 37/0763; A47J 37/36;
H05B 6/12; H05B 6/64; H05B 6/806;
H05B 6/6426; H05B 6/6412; A21B 1/52;
A21B 1/00; F24C 15/08; F24C 15/2042;
F27D 9/00; F27D 2009/0018; F27D
2009/004; F27B 2014/0837; F23D 14/02
See application file for complete search history.

Primary Examiner — Catherine S Posthauer

(74) *Attorney, Agent, or Firm* — Mintz Levin Cohn Ferris
Glovsky and Popeo, P.C.

(57) **CLAIM**

The ornamental design for a food preparation device, as
shown and described.

DESCRIPTION

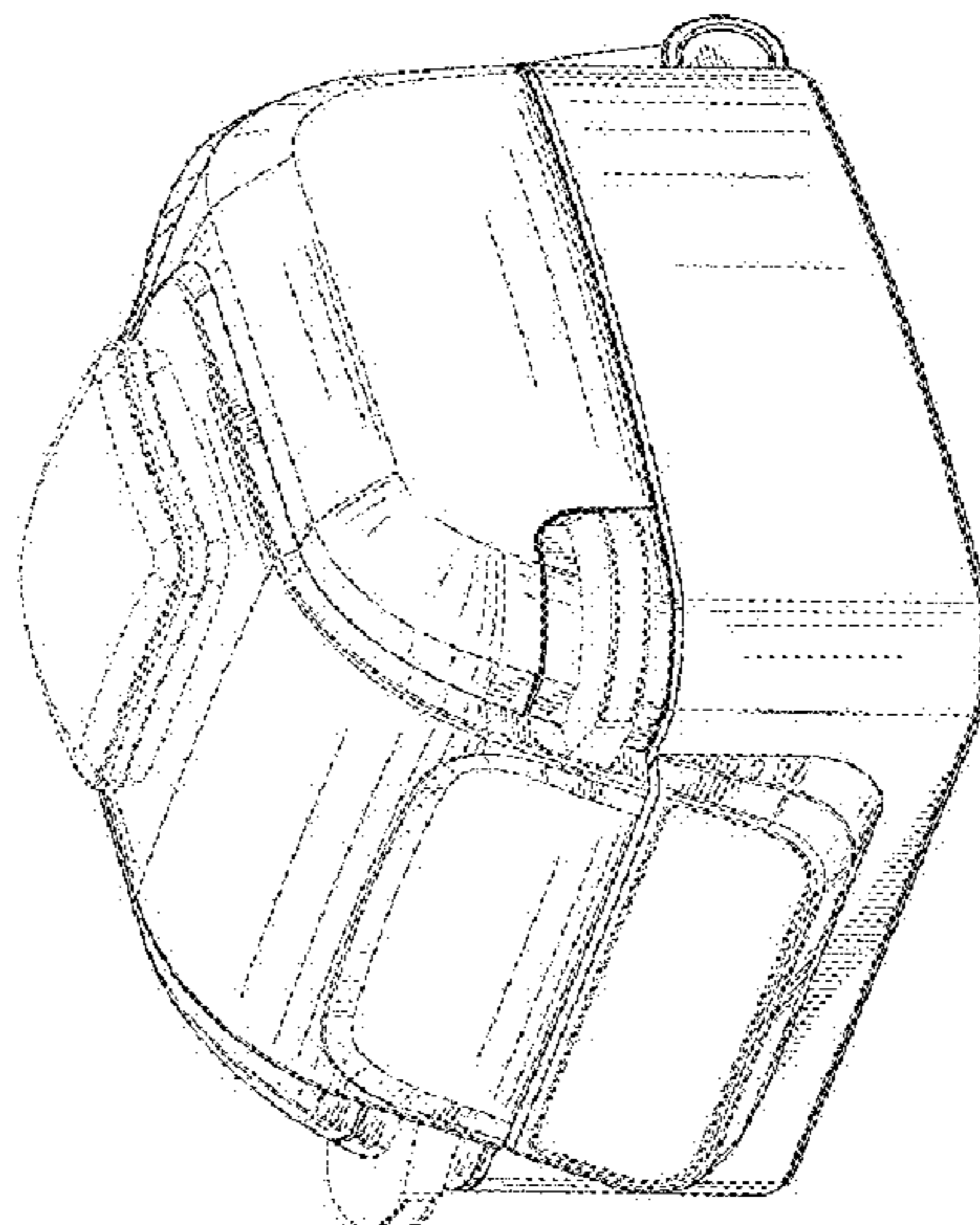
FIG. 1 is a perspective view of a food preparation device;
FIG. 2 is a front view of the device shown in FIG. 1;
FIG. 3 is a rear view of the device shown in FIG. 1;
FIG. 4 is a side view of the device shown in FIG. 1;
FIG. 5 is another side view of the device shown in FIG. 1;
FIG. 6 is a top view of the device shown in FIG. 1; and,
FIG. 7 is a bottom view of the device shown in FIG. 1.
The broken lines are shown for the purpose of illustrating
parts of the article that form no part of the claimed design.

(56) **References Cited**

U.S. PATENT DOCUMENTS

2,065,972 A 9/1934 Fritsche
1,986,088 A 1/1935 Wild

1 Claim, 7 Drawing Sheets



(56)

References Cited

U.S. PATENT DOCUMENTS

2,253,833 A	8/1941	Herbert	6,019,029 A	2/2000	Chan
2,313,968 A	3/1943	Ernest	6,023,050 A	2/2000	Violi
2,378,950 A	6/1945	Ernest	D423,876 S *	5/2000	Wagner D7/332
2,785,277 A	3/1957	Jepson	6,060,698 A	5/2000	Petrides et al.
3,076,405 A	2/1963	Lang	6,066,837 A	5/2000	Mccormick et al.
3,122,134 A	2/1964	Reeves	6,067,896 A	5/2000	Elorza
3,514,301 A	5/1970	Berger	6,070,518 A	6/2000	Kao
3,529,582 A	9/1970	Hurko et al.	6,082,249 A	7/2000	Su
3,610,885 A	10/1971	Zingg	6,083,543 A	7/2000	Kim et al.
3,610,886 A	10/1971	Zingg	6,097,016 A	8/2000	Hirata et al.
3,821,454 A	6/1974	Lobel	6,103,291 A	8/2000	Fernandez Tapia
3,828,760 A	8/1974	Farber et al.	6,104,004 A	8/2000	Ragland et al.
4,106,486 A	8/1978	Lee	6,105,808 A	8/2000	Mendonca
D249,924 S	10/1978	Fischer	D430,776 S	9/2000	Pai
4,148,250 A	4/1979	Miki et al.	6,116,151 A	9/2000	Fickert et al.
4,162,741 A	7/1979	Walker et al.	6,125,737 A	10/2000	Chang
D255,751 S	7/1980	Daenen	6,135,012 A	10/2000	Kao
4,210,072 A	7/1980	Pedrini	6,135,013 A	10/2000	Barrena
4,268,741 A	5/1981	O'Brien	6,158,606 A	12/2000	Oliver
4,374,318 A	2/1983	Gilliom	6,173,643 B1	1/2001	Qian et al.
4,484,063 A	11/1984	Whittenburg et al.	6,178,876 B1	1/2001	Kao
4,509,412 A	4/1985	Whittenburg et al.	6,191,393 B1	2/2001	Park
4,591,698 A	5/1986	Chang	6,201,217 B1	3/2001	Moon et al.
4,728,762 A	3/1988	Roth et al.	6,242,025 B1	6/2001	Lesky et al.
D296,643 S	7/1988	Mueller	6,252,206 B1	6/2001	Leukhardt, III et al.
4,771,162 A	9/1988	Schatz et al.	6,255,630 B1	7/2001	Barnes et al.
D300,108 S	3/1989	Iwahashi	6,257,124 B1	7/2001	Chen
4,848,217 A	7/1989	Koziol	6,262,396 B1	7/2001	Witt et al.
4,889,972 A	12/1989	Chang	6,267,046 B1	7/2001	Wanat
D309,078 S	7/1990	Kokubo	6,268,592 B1	7/2001	Hu et al.
5,000,085 A	3/1991	Archer	6,269,737 B1	8/2001	Rigney et al.
D316,007 S	4/1991	Wagner	6,271,504 B1	8/2001	Barritt
5,008,508 A	4/1991	Skerker et al.	6,283,014 B1	9/2001	Ng et al.
5,012,071 A	4/1991	Henke	6,283,015 B1	9/2001	Kwon et al.
5,029,519 A	7/1991	Boyen	6,320,166 B1	11/2001	Park
5,031,519 A	7/1991	Toida et al.	6,355,914 B1	3/2002	Stockley
5,036,179 A	7/1991	Westerberg et al.	6,384,381 B2	5/2002	Witt et al.
5,048,400 A	9/1991	Ueda et al.	D458,078 S	6/2002	Lin
5,082,229 A	1/1992	Dahl	6,399,925 B1	6/2002	Pickering et al.
5,092,229 A	3/1992	Chen	6,414,254 B1	7/2002	Mcnair
5,097,753 A	3/1992	Naft	6,425,320 B1	7/2002	Chameroy et al.
5,105,725 A	4/1992	Haglund	6,443,053 B1	9/2002	Rossi
D328,549 S	8/1992	Skerker et al.	6,450,085 B1	9/2002	Riesselmann
5,205,274 A	4/1993	Smith et al.	6,450,361 B1	9/2002	Mendelson et al.
5,251,542 A	10/1993	Itoh et al.	6,454,225 B1	9/2002	Jaworski
D341,056 S *	11/1993	Powell D7/354	6,455,085 B1	9/2002	Duta
5,355,777 A	10/1994	Chen et al.	6,460,361 B1	9/2002	Mendelson et al.
5,416,950 A	5/1995	Dornbush et al.	D464,233 S	10/2002	Pai
5,445,061 A	8/1995	Barradas	6,467,645 B2	10/2002	Park
5,485,780 A	1/1996	Koether et al.	6,486,453 B1	11/2002	Bales et al.
5,513,558 A	5/1996	Erickson et al.	6,494,337 B1	12/2002	Moroni
5,526,734 A	6/1996	Harrison	6,509,550 B1	1/2003	Li
5,549,039 A	8/1996	Ito et al.	6,513,420 B1	2/2003	Park
5,567,458 A	10/1996	Wu	6,523,459 B1	2/2003	Chameroy et al.
5,585,352 A	12/1996	Harrison	6,528,772 B1	3/2003	Graves et al.
5,588,352 A	12/1996	Harrison	6,540,097 B1	4/2003	Beck et al.
5,590,583 A	1/1997	Harrison	6,545,252 B2	4/2003	Wang
5,615,607 A	4/1997	Delaquis et al.	6,552,309 B1	4/2003	Kish et al.
5,619,983 A	4/1997	Smith	6,559,427 B1	5/2003	Barnes et al.
5,632,403 A	5/1997	Deng	6,565,903 B2	5/2003	Ng et al.
D380,504 S	7/1997	Yang	6,573,483 B1	6/2003	Decobert et al.
5,649,476 A	7/1997	Montagnino et al.	6,604,453 B2	8/2003	Niese
5,676,044 A	10/1997	Lara, Jr.	6,615,706 B1	9/2003	Wu
5,699,722 A	12/1997	Erickson et al.	6,615,708 B1	9/2003	Lin
5,740,721 A	4/1998	Bizard et al.	6,617,554 B2	9/2003	Moon et al.
5,768,976 A	6/1998	Suk	6,631,824 B2	10/2003	Park
D397,261 S	8/1998	Sellers	6,648,162 B1	11/2003	Wooderson et al.
5,839,357 A	11/1998	Ha et al.	6,657,167 B2	12/2003	Loveless
5,865,104 A	2/1999	Sham et al.	6,669,047 B2	12/2003	Wooderson et al.
5,896,808 A	4/1999	Graur	6,695,319 B1	2/2004	Anota et al.
5,932,130 A	8/1999	Taino	D487,212 S	3/2004	Park
5,957,038 A	9/1999	Shimazaki	6,698,337 B1	3/2004	Park
5,967,021 A	10/1999	Yung	6,705,209 B2	3/2004	Yang et al.
6,006,939 A	12/1999	Wai	6,723,963 B2	4/2004	Ronda
6,014,986 A	1/2000	Baumgarten	6,730,881 B1	5/2004	Arntz et al.
			6,730,882 B2	5/2004	Atkinson
			6,730,889 B1	5/2004	Jones-lawlor
			6,732,636 B1	5/2004	Germano
			6,736,131 B2	5/2004	Yamamoto et al.

(56)

References Cited

U.S. PATENT DOCUMENTS

6,740,855 B1	5/2004	Decobert et al.	7,637,206 B2	12/2009	Seurat Guiochet et al.
6,742,445 B2	6/2004	Backus et al.	7,669,521 B2	3/2010	Cartigny et al.
6,747,250 B1	6/2004	Cha	7,703,385 B2	4/2010	Seurat et al.
6,755,319 B2	6/2004	Park	D616,246 S	5/2010	Filho et al.
6,758,132 B1	7/2004	Kuo et al.	7,718,928 B2	5/2010	He et al.
6,777,651 B1	8/2004	Boyer	D616,731 S	6/2010	Hart
6,782,805 B2	8/2004	Backus et al.	7,726,508 B2	6/2010	Hasegawa
6,782,806 B2	8/2004	Backus et al.	7,762,420 B2	7/2010	Auwaerter et al.
6,802,429 B1	10/2004	Wildman	D622,100 S	8/2010	Carlini
6,809,297 B2	10/2004	Moon et al.	7,766,003 B2	8/2010	Kim et al.
6,812,433 B1	11/2004	Barritt	7,775,390 B2	8/2010	De Bastos Reis Portugal et al.
6,815,644 B1	11/2004	Muegge et al.	7,800,022 B2	9/2010	Kim
6,831,254 B2	12/2004	Barritt	7,838,799 B2	11/2010	Freedman
6,837,150 B2	1/2005	Backus et al.	7,875,836 B2	1/2011	Imura et al.
6,841,762 B2	1/2005	Suzuki	D632,129 S	2/2011	Chen
6,845,707 B1	1/2005	Xu et al.	D637,861 S	5/2011	Degnan
6,851,351 B2	2/2005	Payen et al.	7,935,914 B2	5/2011	Imura
6,872,921 B1	3/2005	Decobert et al.	7,964,824 B2	6/2011	Moon
6,874,408 B2	4/2005	Backus et al.	D640,896 S	7/2011	Molayem
6,877,633 B2	4/2005	Niese	8,006,685 B2	8/2011	Bolton et al.
D505,293 S *	5/2005	Jung D7/354	D645,703 S	9/2011	Sadtler
6,903,310 B1	6/2005	Lee, III	8,011,293 B2	9/2011	Mcfadden et al.
6,917,017 B2	7/2005	Moon et al.	D646,525 S	10/2011	Molayem
6,933,477 B2	8/2005	Becker et al.	8,042,533 B2	10/2011	Dobie et al.
6,935,223 B2	8/2005	Kobayashi	D651,456 S	1/2012	Moon et al.
6,936,795 B1	8/2005	Moon et al.	8,096,436 B2	1/2012	Rhetat et al.
6,936,801 B1	8/2005	Head	8,096,440 B2	1/2012	Rhetat et al.
6,941,857 B2	9/2005	Mclemore	D658,949 S	5/2012	Tsui
D514,383 S	2/2006	Vetter	8,205,543 B2	6/2012	Rhetat et al.
7,009,147 B1	3/2006	Schulte	8,247,751 B2	8/2012	Jagannathan
7,012,220 B2	3/2006	Boyer et al.	D667,255 S	9/2012	Reiner
7,012,221 B2	3/2006	Li	8,258,435 B2	9/2012	Bonuso et al.
7,021,203 B2	4/2006	Backus et al.	D668,109 S	10/2012	Börjesson
7,021,204 B2	4/2006	Backus et al.	D669,730 S	10/2012	Mandil
7,053,337 B2	5/2006	Ragan et al.	8,276,607 B2	10/2012	Walker
7,060,943 B2	6/2006	Hwang	8,286,548 B2	10/2012	Krishnan et al.
7,081,601 B2	7/2006	Boyer et al.	8,299,404 B2	10/2012	Van Der Weij
7,082,871 B2	8/2006	Schultz	D671,354 S	11/2012	Ou et al.
7,086,326 B2	8/2006	Yokoyama	8,302,800 B2	11/2012	Hasegawa
7,126,088 B2	10/2006	Horton et al.	8,304,695 B2	11/2012	Bonuso et al.
D532,644 S	11/2006	Ball	8,330,083 B2	12/2012	Moon et al.
7,148,451 B2	12/2006	Miyake et al.	8,338,757 B2	12/2012	Isoda et al.
7,154,069 B1	12/2006	Gordon	8,378,265 B2	2/2013	Greenwood et al.
7,156,087 B1	1/2007	Churchill et al.	8,381,712 B1	2/2013	Simms, II
7,157,675 B2	1/2007	Imura	D677,515 S	3/2013	Cloutier
7,166,822 B1	1/2007	Chang et al.	8,393,262 B1	3/2013	Molayem
D549,517 S	8/2007	Moran	8,461,488 B2	6/2013	Jeong et al.
7,276,677 B1	10/2007	Shelton	D686,452 S	7/2013	Nordwall
7,285,751 B2	10/2007	Li	8,517,205 B2	8/2013	Thelen
D555,777 S	11/2007	Aveldson et al.	8,544,381 B2	10/2013	Cartigny et al.
7,322,279 B2	1/2008	Cartigny et al.	8,546,731 B2	10/2013	Pellerin et al.
7,322,280 B2	1/2008	Seurat et al.	8,561,525 B2	10/2013	Bauchot et al.
7,325,481 B2	2/2008	Helm	D693,643 S	11/2013	Moon et al.
7,368,688 B2	5/2008	Kim et al.	8,578,293 B2	11/2013	Breunig et al.
7,373,874 B2	5/2008	Seurat et al.	8,581,137 B2	11/2013	Egenter
7,377,208 B2	5/2008	Ho et al.	8,618,447 B2	12/2013	De' Longhi
D573,466 S	7/2008	White et al.	8,637,797 B2	1/2014	Imura
7,411,159 B2	8/2008	Oosterling	D699,514 S	2/2014	Lovley et al.
7,412,922 B2	8/2008	Mclemore	8,640,908 B2	2/2014	Yang et al.
D581,200 S	11/2008	Lee	8,674,270 B2	3/2014	Anderson et al.
D581,201 S	11/2008	Lee	8,689,680 B2	4/2014	Park
7,451,691 B2	11/2008	Robertson	8,709,905 B2	4/2014	Crayfourd
7,451,692 B2	11/2008	Baraille et al.	D703,993 S	5/2014	Garman
7,468,495 B2	12/2008	Carbone et al.	8,714,391 B2	5/2014	Milanesi
7,523,696 B2	4/2009	Seurat et al.	8,726,792 B2	5/2014	Shealy et al.
D592,445 S	5/2009	Sorenson et al.	8,733,574 B2	5/2014	Heidrich et al.
7,530,302 B2	5/2009	Stephanou	D707,078 S	6/2014	Rivera et al.
7,565,862 B2	7/2009	Cartigny et al.	8,739,690 B2	6/2014	Chameroy et al.
D602,283 S	10/2009	Glenn	8,747,933 B1	6/2014	Mcginn
7,605,349 B2	10/2009	Gaynor et al.	8,766,144 B2	7/2014	McCloughlin et al.
D604,092 S *	11/2009	Kotani D7/354	8,777,038 B2	7/2014	Wen
D604,098 S	11/2009	Hamlin	8,783,498 B2	7/2014	Li
7,619,186 B2	11/2009	Cavada et al.	8,783,947 B2	7/2014	Ferron et al.
D606,799 S	12/2009	Saunders	D710,647 S	8/2014	Mandil et al.
7,624,674 B2	12/2009	Chameroy et al.	8,800,803 B2	8/2014	Stellwag
			8,808,772 B2	8/2014	Lubrina et al.
			8,813,989 B2	8/2014	Hoffmann et al.
			8,820,220 B2	9/2014	Thelen et al.
			8,847,129 B2	9/2014	Kim et al.

(56)

References Cited

U.S. PATENT DOCUMENTS

8,869,829 B2	10/2014	Hasegawa	9,763,531 B2	9/2017	Baraille et al.
8,887,939 B2	11/2014	Chameroy et al.	D801,106 S	10/2017	Mirchandani et al.
D719,398 S	12/2014	Deters	9,775,461 B2	10/2017	Yang et al.
D720,571 S	1/2015	Deters	9,795,250 B2	10/2017	Huang
8,931,402 B2	1/2015	Chameroy et al.	9,801,491 B2	10/2017	Cohade et al.
8,931,659 B2	1/2015	Rhetat et al.	D802,987 S	11/2017	Corlay
8,944,272 B2	2/2015	Chameroy et al.	9,814,355 B2	11/2017	Winter et al.
8,944,273 B2	2/2015	Chameroy et al.	9,829,500 B2	11/2017	Hayashi
D723,323 S	3/2015	Carlson	9,841,261 B2	12/2017	Raghavan et al.
8,973,770 B2	3/2015	He et al.	9,854,932 B2	1/2018	Tiruvallur
8,985,372 B2	3/2015	Yang et al.	9,854,941 B2	1/2018	Bonaccorso
8,991,307 B2	3/2015	Grözinger et al.	9,861,231 B2	1/2018	Kim
D727,095 S	4/2015	Bak	9,867,234 B2	1/2018	Thomann et al.
9,018,566 B2	4/2015	Wang	9,872,582 B2	1/2018	Song et al.
D728,301 S	5/2015	Hack	9,877,610 B2	1/2018	Bucher et al.
9,027,468 B2	5/2015	Rhetat et al.	D809,340 S	2/2018	Poon
9,035,223 B2	5/2015	Noguchi et al.	9,883,768 B2	2/2018	Starflinger
9,055,618 B2	6/2015	Bunzel et al.	9,888,811 B2	2/2018	Zwanenburg et al.
9,057,526 B2	6/2015	Barritt	9,895,028 B2	2/2018	Gerard et al.
D735,520 S	8/2015	Mandil	9,900,936 B2	2/2018	Imm et al.
D737,623 S	9/2015	Hu et al.	9,909,764 B2	3/2018	Bach
D738,676 S	9/2015	Accoceberry	9,924,830 B1	3/2018	Glucksman et al.
9,119,501 B2	9/2015	Xie	D814,232 S *	4/2018	Barquin D7/354
9,125,513 B2	9/2015	Kim	D815,491 S	4/2018	Hollinger
9,138,106 B2	9/2015	Walker	9,930,990 B1	4/2018	Gupta et al.
D743,201 S	11/2015	Aderka	D817,070 S	5/2018	Mirchandani et al.
9,177,460 B2	11/2015	Fissler	D817,658 S	5/2018	Cute
9,191,998 B2	11/2015	Hegedis et al.	D817,697 S	5/2018	Zhao
9,220,362 B2	12/2015	Eades et al.	9,961,721 B2	5/2018	Guilleminot et al.
9,237,829 B2	1/2016	Alet Vidal et al.	9,962,029 B2	5/2018	Baraille et al.
D749,906 S	2/2016	Lee	9,980,605 B2	5/2018	De Haas et al.
D750,421 S	3/2016	Ho	D821,140 S	6/2018	Mirchandani et al.
9,271,595 B2	3/2016	Lee	D821,805 S	7/2018	Lee
9,295,354 B2	3/2016	Sloot et al.	10,016,085 B2	7/2018	Sapire
D754,469 S	4/2016	Deters	10,021,889 B2	7/2018	Vinett
9,301,644 B2	4/2016	Payen et al.	10,034,578 B2	7/2018	Ahmed
9,314,134 B2	4/2016	Molnar	D824,717 S	8/2018	Allen
9,320,381 B2	4/2016	Chameroy et al.	D826,638 S	8/2018	Zhang
9,339,145 B1	5/2016	Owczarzak	10,045,651 B2	8/2018	Huang
9,341,382 B2	5/2016	Kim	10,051,986 B2	8/2018	Schultz et al.
9,351,495 B2	5/2016	Mcfadden	10,051,995 B2	8/2018	Buckley et al.
9,353,954 B2	5/2016	Linnewiel	10,057,946 B2	8/2018	Mills et al.
9,414,713 B2	8/2016	Jinzhao	10,058,210 B2	8/2018	Palermo
9,433,036 B2	8/2016	Kurimoto et al.	10,060,632 B2	8/2018	Lim et al.
9,439,530 B2	9/2016	Logan et al.	10,064,518 B2	9/2018	Xiao et al.
D769,058 S	10/2016	Lee	10,076,206 B2	9/2018	Chameroy et al.
9,456,713 B2	10/2016	Backaert et al.	D832,023 S	10/2018	Barberi et al.
9,470,423 B2	10/2016	Jacob et al.	D832,030 S	10/2018	Veldeman
9,474,412 B2	10/2016	Fung et al.	10,088,371 B2	10/2018	Kaiser et al.
D770,221 S	11/2016	Lee	D833,204 S	11/2018	Lee
D772,648 S	11/2016	Palermo	10,117,546 B2	11/2018	Le Grand
9,480,364 B2	11/2016	Mckee et al.	10,123,656 B2	11/2018	Shanmugam
D774,350 S	12/2016	Mandil	10,130,205 B2	11/2018	Fung et al.
D774,356 S	12/2016	Maiorana et al.	D834,889 S	12/2018	Moon et al.
9,526,367 B2	12/2016	Anota et al.	10,154,750 B2	12/2018	Allemand et al.
9,585,509 B2	3/2017	Wassmus et al.	D838,535 S	1/2019	Garman
9,596,954 B2	3/2017	Park	D838,548 S	1/2019	Meller
D784,076 S	4/2017	Constantieux	D841,388 S *	2/2019	Zhang D7/354
9,615,691 B2	4/2017	Xiao	D842,649 S	3/2019	Mishan
9,615,692 B2	4/2017	Hoffmann et al.	10,231,565 B2	3/2019	Song et al.
9,615,694 B2	4/2017	Yoshidome	D845,072 S	4/2019	Colston et al.
9,629,499 B2	4/2017	Kim	D846,335 S	4/2019	Yang et al.
9,629,500 B2	4/2017	Chance	10,244,883 B2	4/2019	Chameroy et al.
9,636,618 B2	5/2017	Fung et al.	D850,200 S	6/2019	Jiang
9,642,487 B1	5/2017	McGinn	D879,539 S *	3/2020	Chen D7/354
9,648,975 B2	5/2017	Imura	D883,015 S *	5/2020	Deng D7/354
9,648,985 B2	5/2017	Huang et al.	D901,230 S *	11/2020	Ye D7/354
9,681,770 B2	6/2017	Backaert et al.	D907,427 S *	1/2021	Ye D7/354
9,681,773 B2	6/2017	Mckee et al.	D920,731 S *	6/2021	Henderson D7/354
9,706,871 B2	7/2017	Matthijs	11,079,118 B2 *	8/2021	Zhang F24C 15/2042
9,717,364 B2	8/2017	Sladeczek	11,147,415 B2 *	10/2021	Anthony A47J 37/0664
9,737,936 B2	8/2017	Linglin et al.	2002/0179587 A1	12/2002	Hui
9,750,089 B2	8/2017	Wiedemann et al.	2002/0179687 A1	12/2002	Ball et al.
D797,492 S	9/2017	Shieh	2002/0185012 A1	12/2002	Yokoyama
9,756,980 B1	9/2017	Li et al.	2003/0034027 A1	2/2003	Yamamoto et al.
			2003/0127447 A1	7/2003	Lin
			2003/0127447 A1	7/2003	Lin
			2004/0035845 A1	2/2004	Moon et al.
			2004/0045446 A1	3/2004	Park
			2004/0049446 A1	3/2004	Park

(56)

References Cited

U.S. PATENT DOCUMENTS

2004/0055474	A1	3/2004	Lekic et al.
2004/0124197	A1	7/2004	Hasegawa
2004/0222208	A1	11/2004	Ko
2005/0011370	A1	1/2005	Xu et al.
2005/0034716	A1	2/2005	Harbin
2005/0089318	A1	4/2005	Lai et al.
2005/0223906	A1	10/2005	Xu et al.
2005/0284305	A1	12/2005	Angue
2006/0081235	A1	4/2006	Lundh et al.
2007/0045284	A1	3/2007	Balk et al.
2007/0095215	A1	5/2007	Ho et al.
2007/0125768	A1	6/2007	Kim et al.
2007/0158335	A1	7/2007	Mansbery
2007/0199557	A1	8/2007	Von Kaenel
2007/0295221	A1	12/2007	Seurat Guiochet et al.
2008/0022861	A1	1/2008	Ferron
2008/0078371	A1	4/2008	Boscaino
2008/0078755	A1	4/2008	Jeon et al.
2008/0083730	A1	4/2008	Dolgov et al.
2008/0095905	A1	4/2008	Sells et al.
2008/0099008	A1	5/2008	Bolton et al.
2008/0105137	A1	5/2008	Genslak et al.
2008/0142498	A1	6/2008	He et al.
2008/0163764	A1	7/2008	Payen et al.
2008/0206420	A1	8/2008	Mcfadden
2008/0213447	A1	9/2008	Payen et al.
2008/0216671	A1	9/2008	Chen
2008/0223224	A1	9/2008	Martin
2008/0290090	A1	11/2008	Kindler et al.
2008/0314258	A1	12/2008	Martin
2009/0011101	A1	1/2009	Doherty et al.
2009/0013988	A1	1/2009	Kim et al.
2009/0064868	A1	3/2009	Cartossi
2009/0095166	A1	4/2009	Jian
2009/0134140	A1	5/2009	Van Der Weij
2009/0223380	A1	9/2009	Van
2009/0223386	A1	9/2009	Edwards et al.
2009/0250452	A1	10/2009	Tse
2010/0089248	A1	4/2010	Jones
2010/0136194	A1	6/2010	Schutte
2010/0147109	A1	6/2010	Fossati
2010/0147159	A1	6/2010	Fossati
2010/0147824	A1	6/2010	Bonuso et al.
2010/0206289	A1	8/2010	Larsen et al.
2010/0282097	A1	11/2010	Schulte
2011/0003048	A1	1/2011	Sugimoto et al.
2011/0095015	A1	4/2011	Kao
2011/0160158	A1	4/2011	Barkhouse
2011/0120319	A1	5/2011	Chang
2011/0126719	A1	6/2011	Valance
2011/0146653	A1	6/2011	Kitatani
2011/0147376	A1	6/2011	Ueda et al.
2011/0168158	A1	7/2011	Barkhouse
2011/0248020	A1	10/2011	Yuan
2011/0268153	A1	11/2011	He et al.
2012/0003364	A1	1/2012	Kling et al.
2012/0009317	A1	1/2012	Mclemore
2012/0012584	A1	1/2012	Chameroy et al.
2012/0024164	A1	2/2012	Park et al.
2012/0024169	A1	2/2012	Hsu
2012/0040067	A1	2/2012	Baraille et al.
2012/0048843	A1	3/2012	Feng et al.
2012/0125313	A1	5/2012	Van Der Weij
2012/0101363	A1	7/2012	Huang
2012/0174797	A1	7/2012	Froza
2012/0181363	A1	7/2012	Huang
2012/0192726	A1	8/2012	Clearman et al.
2012/0217236	A1	8/2012	Takagi
2012/0217252	A1	8/2012	Jung
2012/0222665	A1	9/2012	Ahmed
2012/0318149	A1	12/2012	Ahmed
2013/0019759	A1	1/2013	Tumenbatur et al.
2013/0074702	A1	3/2013	Difante
2013/0092145	A1	4/2013	Murphy et al.
2013/0104875	A1	5/2013	Schultz et al.
2013/0180413	A1	7/2013	Tjerkgaast et al.
2013/0180986	A1	7/2013	He et al.
2013/0196038	A1	8/2013	Liu
2013/0255509	A1	10/2013	He et al.
2013/0276643	A1	10/2013	Krolick et al.
2013/0298781	A1	11/2013	Ganuza et al.
2013/0305933	A1	11/2013	Heidrich et al.
2013/0333685	A1	12/2013	Jeong et al.
2014/0021191	A1	1/2014	Moon et al.
2014/0083306	A1	3/2014	Lee
2014/0083992	A1	3/2014	Linnewiel
2014/0102315	A1	4/2014	Park
2014/0157994	A1	6/2014	Ryan et al.
2014/0175085	A1	6/2014	Yang et al.
2014/0199454	A1	7/2014	Storek et al.
2014/0199459	A1	7/2014	Jackson et al.
2014/0201688	A1	7/2014	Guilleminot et al.
2014/0220196	A1	8/2014	Veloo
2014/0227411	A1	8/2014	Popeil et al.
2014/0245898	A1	9/2014	Froza
2014/0251158	A1	9/2014	Yang et al.
2014/0318385	A1	10/2014	Kim
2014/0318386	A1	10/2014	Kim
2014/0318387	A1	10/2014	Kim
2014/0318388	A1	10/2014	Kim
2014/0318389	A1	10/2014	Kim
2014/0322417	A1	10/2014	Kim
2014/0348987	A1	11/2014	Cheng et al.
2014/0353316	A1	12/2014	Lin
2014/0360384	A1	12/2014	Kim
2014/0366746	A1	12/2014	Tsai
2014/0370176	A1	12/2014	Imura et al.
2014/0377417	A1	12/2014	Martinez
2015/0000535	A1	1/2015	Yoshidome et al.
2015/0040775	A1	2/2015	Shieh
2015/0083107	A1	3/2015	Busch et al.
2015/0122137	A1	5/2015	Chang
2015/0136769	A1	5/2015	Quinn et al.
2015/0201788	A1	7/2015	Douma et al.
2015/0201806	A1	7/2015	Yoshidome
2015/0208845	A1	7/2015	Robbins et al.
2015/0208858	A1	7/2015	Robbins et al.
2015/0223627	A1	8/2015	Li et al.
2015/0226438	A1	8/2015	Ozyurt et al.
2015/0250187	A1	9/2015	Sakane et al.
2015/0257208	A1	9/2015	Li et al.
2015/0292750	A1	10/2015	Delrue et al.
2015/0305093	A1	10/2015	Smith et al.
2015/0313399	A1	11/2015	Park
2015/0351578	A1	12/2015	Song et al.
2015/0366402	A1	12/2015	Wu
2016/0007644	A1	1/2016	Hack et al.
2016/0007789	A1	1/2016	Tiruvallur
2016/0029829	A1	2/2016	Klein
2016/0033141	A1	2/2016	Rizzuto
2016/0037955	A1	2/2016	Kim
2016/0045067	A1	2/2016	Liao
2016/0051077	A1	2/2016	Sloot et al.
2016/0051078	A1	2/2016	Jenkins et al.
2016/0051086	A1	2/2016	De' Longhi
2016/0081509	A1	3/2016	Delrue et al.
2016/0100707	A1	4/2016	Huang
2016/0100713	A1	4/2016	De Haas et al.
2016/0113442	A1	4/2016	De Haas et al.
2016/0120363	A1	5/2016	Zwanenburg et al.
2016/0120364	A1	5/2016	De Haas et al.
2016/0123660	A1	5/2016	Peng
2016/0165676	A1	6/2016	Imm et al.
2016/0174749	A1	6/2016	Eades et al.
2016/0174764	A1	6/2016	Xiao
2016/0174771	A1	6/2016	Benoit et al.
2016/0183722	A1	6/2016	Fisher
2016/0192808	A1	7/2016	Van Der Burg et al.
2016/0198882	A1	7/2016	Linglin
2016/0198883	A1	7/2016	Wang et al.
2016/0206131	A1	7/2016	Chien
2016/0206139	A1	7/2016	Johnson
2016/0206140	A1	7/2016	Johnson et al.
2016/0219653	A1	7/2016	Kim et al.

(56)

References Cited

U.S. PATENT DOCUMENTS

2016/0220057 A1 8/2016 Smith et al.
 2016/0235078 A1 8/2016 Farina et al.
 2016/0235239 A1 8/2016 Patadia
 2016/0253080 A1 9/2016 Ban et al.
 2016/0270596 A1 9/2016 Allemand et al.
 2016/0278563 A1 9/2016 Choudhary
 2016/0278565 A1 9/2016 Chameroy et al.
 2016/0281994 A1 9/2016 Nuessler
 2016/0309956 A1* 10/2016 Glucksman A47J 37/043
 2016/0316525 A1 10/2016 Vainionpaa
 2016/0316968 A1 11/2016 Linglin
 2016/0324359 A1 11/2016 Aboujassoum et al.
 2016/0327280 A1 11/2016 Smith et al.
 2016/0345766 A1 12/2016 Sapire
 2016/0353913 A1 12/2016 Chameroy et al.
 2016/0353914 A1 12/2016 Chameroy et al.
 2016/0353915 A1 12/2016 Chameroy et al.
 2016/0353916 A1 12/2016 Chameroy et al.
 2016/0360922 A1 12/2016 Xiao et al.
 2016/0367061 A1 12/2016 Chou
 2016/0374510 A1 12/2016 Albizuri Landazabal
 2017/0000293 A1 1/2017 Sladeczek et al.
 2017/0020334 A1 1/2017 Sorenson et al.
 2017/0055770 A1 3/2017 Case
 2017/0065127 A1 3/2017 Bonaccorso
 2017/0071034 A1 3/2017 Metz
 2017/0079475 A1 3/2017 Buckley et al.
 2017/0089590 A1 3/2017 Bruin-Slot et al.
 2017/0099977 A1 4/2017 Liu
 2017/0099984 A1 4/2017 Koetz
 2017/0099990 A1 4/2017 Magnouloux et al.
 2017/0099995 A1 4/2017 Magnouloux
 2017/0119192 A1 5/2017 Sanseverino
 2017/0172335 A1 6/2017 Colas et al.
 2017/0181564 A1 6/2017 He et al.
 2017/0199658 A1 7/2017 Stoufer et al.
 2017/0231415 A1 8/2017 Cheng et al.
 2017/0231430 A1 8/2017 Moon et al.
 2017/0245674 A1 8/2017 Imura
 2017/0245683 A1 8/2017 Chen et al.
 2017/0245686 A1 8/2017 Man
 2017/0251872 A1 9/2017 Li et al.
 2017/0251874 A1 9/2017 Sladeczek
 2017/0280914 A1 10/2017 Kumar et al.
 2017/0290452 A1 10/2017 Guillaume et al.
 2017/0295993 A1 10/2017 Li et al.
 2017/0303740 A1 10/2017 Bonaccorso
 2017/0332823 A1 11/2017 Sanseverino
 2017/0360238 A1 12/2017 Bogazzi
 2017/0360254 A1 12/2017 Muhr et al.
 2017/0360255 A1 12/2017 Karau
 2017/0367514 A1 12/2017 In't Groen et al.
 2017/0370595 A1 12/2017 Yang et al.
 2018/0000285 A1 1/2018 Backus et al.
 2018/0007738 A1 1/2018 Knappenberger et al.
 2018/0007744 A1 1/2018 Nonaka et al.
 2018/0028017 A1 2/2018 Wu
 2018/0035698 A1 2/2018 McNerney et al.
 2018/0035898 A1 2/2018 Gunderson
 2018/0045067 A1 2/2018 Chuong
 2018/0051509 A1 2/2018 German
 2018/0073739 A1 3/2018 Dumenil
 2018/0078089 A1 3/2018 Sauer et al.
 2018/0103796 A1 4/2018 Park
 2018/0110355 A1 4/2018 Huang et al.
 2018/0116264 A1 5/2018 De Winter et al.
 2018/0116438 A1 5/2018 He et al.
 2018/0125293 A1 5/2018 Mcnerney et al.
 2018/0125294 A1 5/2018 Conte et al.
 2018/0140126 A1 5/2018 Van Dillen
 2018/0143086 A1 5/2018 Stoufer et al.
 2018/0153329 A1 6/2018 Glucksman et al.
 2018/0160840 A1 6/2018 De' Longhi
 2018/0160849 A1 6/2018 Hebert, Jr. et al.
 2018/0174749 A1 6/2018 Santos et al.

2018/0177322 A1 6/2018 Kim
 2018/0177343 A1 6/2018 Bonaccorso
 2018/0183722 A1 6/2018 Rowlands et al.
 2018/0184843 A1 7/2018 Kim et al.
 2018/0184848 A1 7/2018 De' Longhi
 2018/0192825 A1 7/2018 Popeil et al.
 2018/0199756 A1 7/2018 Huang
 2018/0206672 A1 7/2018 Grace et al.
 2018/0206677 A1 7/2018 Ivarsson et al.
 2018/0208131 A1 7/2018 Chien
 2018/0220498 A1 8/2018 Jeon et al.
 2018/0220842 A1 8/2018 Delrue et al.
 2018/0228318 A1 8/2018 Zwanenburg et al.
 2018/0238560 A1 8/2018 Deng et al.
 2018/0255967 A1 9/2018 Haas et al.
 2018/0255971 A1 9/2018 Moon et al.
 2018/0263084 A1 9/2018 Yoshino et al.
 2018/0266697 A1 9/2018 Dash et al.
 2018/0271321 A1 9/2018 Delrue et al.
 2018/0271323 A1 9/2018 Zhang et al.
 2018/0279832 A1 10/2018 Ohta et al.
 2018/0289212 A1 10/2018 Sladeczek et al.
 2018/0296019 A1 10/2018 Kim et al.
 2018/0303285 A1 10/2018 Cheng
 2018/0317691 A1 11/2018 Huang
 2018/0317692 A1 11/2018 Huang
 2018/0317693 A1 11/2018 Huang
 2018/0325313 A1 11/2018 De' Longhi et al.
 2018/0325318 A1 11/2018 De' Longhi et al.
 2018/0325322 A1 11/2018 De' Longhi et al.
 2018/0333004 A1 11/2018 De' Longhi et al.
 2018/0333005 A1 11/2018 Fritz et al.
 2018/0344085 A1 12/2018 Dutter
 2018/0347829 A1 12/2018 Martini et al.
 2018/0353007 A1 12/2018 Eberhart et al.
 2018/0353010 A1 12/2018 Delrue et al.
 2018/0359823 A1 12/2018 Shin et al.
 2019/0000267 A1 1/2019 Li et al.
 2019/0008316 A1 1/2019 Kim et al.
 2019/0021142 A1 1/2019 Mizuta et al.
 2019/0045964 A1 2/2019 Gill et al.
 2019/0045973 A1 2/2019 Gill et al.
 2019/0053521 A1 2/2019 Tian et al.
 2019/0059647 A1 2/2019 Floessholzer
 2019/0069719 A1 3/2019 Huang et al.
 2019/0082876 A1 3/2019 Shi et al.
 2019/0254473 A1* 8/2019 Anthony A47J 37/0641
 2020/0093329 A1 3/2020 Glucksman
 2020/0337497 A1* 10/2020 Anthony A47J 37/0641
 2022/0095834 A1* 3/2022 Thorogood F24C 15/023

FOREIGN PATENT DOCUMENTS

CN 2253170 Y 4/1997
 CN 1218653 A 6/1999
 CN 1218653 A 6/1999
 CN 2389593 Y 8/2000
 CN 2450993 Y 10/2001
 CN 2469838 Y 1/2002
 CN 2469839 Y 1/2002
 CN 2479871 Y 3/2002
 CN 1139352 C 2/2004
 CN 1148142 C 5/2004
 CN 1158983 C 7/2004
 CN 1158988 C 7/2004
 CN 2719176 Y 8/2005
 CN 1883351 A 12/2006
 CN 2855256 Y 1/2007
 CN 2904903 Y 5/2007
 CN 1981682 A 6/2007
 CN 1985727 A 6/2007
 CN 1989884 A 7/2007
 CN 100998476 A 7/2007
 CN 101023842 A 8/2007
 CN 101053485 A 10/2007
 CN 200987595 Y 12/2007
 CN 101099635 A 1/2008
 CN 101108064 A 1/2008
 CN 101112291 A 1/2008

(56)

References Cited

FOREIGN PATENT DOCUMENTS

CN	101112292	A	1/2008	CN	102100481	B	1/2013
CN	101112293	A	1/2008	CN	102883641	A	1/2013
CN	101142448	A	3/2008	CN	202636678	U	1/2013
CN	101185556	A	5/2008	CN	202638878	U	1/2013
CN	100401957	C	7/2008	CN	103006045	A	4/2013
CN	101209179	A	7/2008	CN	103006092	A	4/2013
CN	101209180	A	7/2008	CN	103008045	A	4/2013
CN	201079267	Y	7/2008	CN	202858889	U	4/2013
CN	100401967	C	8/2008	CN	103142128	A	6/2013
CN	100425186	C	10/2008	CN	103142151	A	6/2013
CN	100428906	C	10/2008	CN	103169371	A	6/2013
CN	101273834	A	10/2008	CN	103179884	A	6/2013
CN	201139427	Y	10/2008	CN	202950194	U	6/2013
CN	101322614	A	12/2008	CN	202960194	U	6/2013
CN	201197609	Y	2/2009	CN	202981682	U	6/2013
CN	100464682	C	3/2009	CN	203000535	U	6/2013
CN	100469289	C	3/2009	CN	103188947	A	7/2013
CN	201207144	Y	3/2009	CN	103188970	A	7/2013
CN	101432608	A	5/2009	CN	103220947	A	7/2013
CN	101432808	A	5/2009	CN	103222807	A	7/2013
CN	101438929	A	5/2009	CN	203041954	U	7/2013
CN	100496350	C	6/2009	CN	203041955	U	7/2013
CN	100522018	C	8/2009	CN	102342739	B	8/2013
CN	100531626	C	8/2009	CN	203000535	U	8/2013
CN	100531628	C	8/2009	CN	203122175	U	8/2013
CN	100534363	C	9/2009	CN	103299132	A	9/2013
CN	101518409	A	9/2009	CN	203195497	U	9/2013
CN	100559999	C	11/2009	CN	203195499	U	9/2013
CN	201365839	Y	12/2009	CN	103375826	A	10/2013
CN	201385839	Y	12/2009	CN	103375828	A	10/2013
CN	100588351	C	2/2010	CN	203234602	U	10/2013
CN	101669761	A	3/2010	CN	203234613	U	10/2013
CN	101766443	A	7/2010	CN	102319018	B	11/2013
CN	101791190	A	8/2010	CN	203302862	U	11/2013
CN	101628858	A	9/2010	CN	103445669	A	12/2013
CN	101828856	A	9/2010	CN	102397005	B	1/2014
CN	101856086	A	10/2010	CN	103491830	A	1/2014
CN	201602600	U	10/2010	CN	203407931	U	1/2014
CN	201624512	U	11/2010	CN	103649643	A	3/2014
CN	101936550	A	1/2011	CN	103750730	A	4/2014
CN	101936660	A	1/2011	CN	203539138	U	4/2014
CN	101940273	A	1/2011	CN	206119969	U	4/2014
CN	101420893	B	2/2011	CN	206539138	U	4/2014
CN	101977536	A	2/2011	CN	203597772	U	5/2014
CN	201888709	U	7/2011	CN	203615383	U	5/2014
CN	201929758	U	8/2011	CN	203634023	U	6/2014
CN	201948771	U	8/2011	CN	203647141	U	6/2014
CN	102176464	A	9/2011	CN	203662545	U	6/2014
CN	102178445	A	9/2011	CN	103892696	A	7/2014
CN	102178464	A	9/2011	CN	103948308	A	7/2014
CN	201958652	U	9/2011	CN	203693372	U	7/2014
CN	101305890	B	11/2011	CN	203723888	U	7/2014
CN	102240164	A	11/2011	CN	104000478	A	8/2014
CN	102307500	A	1/2012	CN	203762926	U	8/2014
CN	102313306	A	1/2012	CN	203776718	U	8/2014
CN	102313306	A	2/2012	CN	203776719	U	8/2014
CN	102349791	A	2/2012	CN	203776729	U	8/2014
CN	202151310	U	2/2012	CN	203828675	U	9/2014
CN	102366936	A	3/2012	CN	203828676	U	9/2014
CN	102368936	A	3/2012	CN	107258878	A	10/2014
CN	202184614	U	4/2012	CN	203873602	U	10/2014
CN	101692958	B	5/2012	CN	203885286	U	10/2014
CN	102440581	A	5/2012	CN	203953373	U	11/2014
CN	202207075	U	5/2012	CN	203967551	U	12/2014
CN	202234720	U	5/2012	CN	203970073	U	12/2014
CN	202234761	U	5/2012	CN	203970160	U	12/2014
CN	202312886	U	7/2012	CN	203987492	U	12/2014
CN	102670079	A	9/2012	CN	203987520	U	12/2014
CN	202408428	U	9/2012	CN	203987550	U	12/2014
CN	202408455	U	9/2012	CN	203987551	U	12/2014
CN	102755120	A	10/2012	CN	204016055	U	12/2014
CN	102765120	A	11/2012	CN	204016056	U	12/2014
CN	102824120	A	12/2012	CN	204016066	U	12/2014
CN	202619362	U	12/2012	CN	204049362	U	12/2014
CN	202619382	U	12/2012	CN	204091768		1/2015
				CN	204091768	U	1/2015
				CN	104323708	A	2/2015
				CN	104367182	A	2/2015
				CN	204133165	U	2/2015

(56)

References Cited

FOREIGN PATENT DOCUMENTS

CN	204133291	U	2/2015	CN	106411379	A	3/2016
CN	204158183	U	2/2015	CN	106433778	A	3/2016
CN	104433841	A	3/2015	CN	105438155	A	4/2016
CN	105380612	A	3/2015	CN	105455628	A	4/2016
CN	204192406	U	3/2015	CN	105455664	A	4/2016
CN	104490294	A	4/2015	CN	105455671	A	4/2016
CN	105478481	A	4/2015	CN	105455871	A	4/2016
CN	102917623	B	5/2015	CN	105466628	A	4/2016
CN	104613515	A	5/2015	CN	105466864	A	4/2016
CN	104622274	A	5/2015	CN	105476461	A	4/2016
CN	104676681	A	6/2015	CN	105476464	A	4/2016
CN	104688019	A	6/2015	CN	105476472	A	4/2016
CN	104706212	A	6/2015	CN	105476491	A	4/2016
CN	104754992	A	7/2015	CN	105486224	A	4/2016
CN	104757872	A	7/2015	CN	105496155	A	4/2016
CN	104676681	A	8/2015	CN	105496184	A	4/2016
CN	104814665	A	8/2015	CN	105496224	A	4/2016
CN	104856561	A	8/2015	CN	205126014	U	4/2016
CN	104856563	A	8/2015	CN	105534263	A	5/2016
CN	204580991	U	8/2015	CN	105534269	A	5/2016
CN	104867083	A	9/2015	CN	105585792	A	5/2016
CN	104873098	A	9/2015	CN	105595792	A	5/2016
CN	104887083	A	9/2015	CN	105595803	A	5/2016
CN	204636063	U	9/2015	CN	205197727	U	5/2016
CN	104983318	A	10/2015	CN	205214967	U	5/2016
CN	104997394	A	10/2015	CN	205215045	U	5/2016
CN	204697804	U	10/2015	CN	206214967	U	5/2016
CN	105011741	A	11/2015	CN	102440681	B	6/2016
CN	105030035	A	11/2015	CN	102783908	B	6/2016
CN	105030036	A	11/2015	CN	103648337	B	6/2016
CN	105054772	A	11/2015	CN	104706212	A	6/2016
CN	105054772	B	11/2015	CN	105568571	A	6/2016
CN	105054773	A	11/2015	CN	105615638	A	6/2016
CN	105054773	B	11/2015	CN	105615639	A	6/2016
CN	204734374	U	11/2015	CN	105615686	A	6/2016
CN	204743846	U	11/2015	CN	105615839	A	6/2016
CN	204765197	U	11/2015	CN	105640288	A	6/2016
CN	204797615	U	11/2015	CN	105640299	A	6/2016
CN	204797616	U	11/2015	CN	105640302	A	6/2016
CN	204797618	U	11/2015	CN	105640308	A	6/2016
CN	103813738	B	12/2015	CN	105640309	A	6/2016
CN	105105624	A	12/2015	CN	105640351	A	6/2016
CN	105105626	A	12/2015	CN	105662112	A	6/2016
CN	105142473	A	12/2015	CN	105662125	A	6/2016
CN	105167591	B	12/2015	CN	105662126	A	6/2016
CN	105167592	A	12/2015	CN	105662127	A	6/2016
CN	105187591	A	12/2015	CN	105669571	A	6/2016
CN	105193301	A	12/2015	CN	105708312	A	6/2016
CN	204839219	U	12/2015	CN	106615888	A	6/2016
CN	204889693	U	12/2015	CN	106662112	A	6/2016
CN	205831665	U	12/2015	CN	106662126	A	6/2016
CN	105212693	B	1/2016	CN	205322075	U	6/2016
CN	105212730	A	1/2016	CN	1056440302	A	6/2016
CN	105231811	A	1/2016	CN	1066440309	A	6/2016
CN	105231812	A	1/2016	CN	104605727	B	7/2016
CN	105231813	A	1/2016	CN	105725629	A	7/2016
CN	105266565	A	1/2016	CN	105725730	A	7/2016
CN	105266577	A	1/2016	CN	105725829	A	7/2016
CN	204995259	U	1/2016	CN	105768859	A	7/2016
CN	105286488	A	2/2016	CN	105768860	A	7/2016
CN	105286496	A	2/2016	CN	103908166	A	8/2016
CN	105286627	A	2/2016	CN	103908166	B	8/2016
CN	105326332	A	2/2016	CN	105816023	A	8/2016
CN	105342454	A	2/2016	CN	105832176	A	8/2016
CN	205018878	U	2/2016	CN	105852667	A	8/2016
CN	105380512	A	3/2016	CN	105852668	A	8/2016
CN	105380513	A	3/2016	CN	105902144	A	8/2016
CN	105380514	A	3/2016	CN	105902150	A	8/2016
CN	105380614	A	3/2016	CN	105972663	A	8/2016
CN	105411378	A	3/2016	CN	205410811	U	8/2016
CN	105411379	A	3/2016	CN	205425108	U	8/2016
CN	105433778	A	3/2016	CN	205433281	U	8/2016
CN	105433779	A	3/2016	CN	205433317	U	8/2016
CN	105451610	A	3/2016	CN	205433320	U	8/2016
CN	106380513	A	3/2016	CN	105919411	A	9/2016
				CN	105919417	A	9/2016
				CN	105935244	A	9/2016
				CN	105935258	A	9/2016
				CN	105972653	A	9/2016

(56)

References Cited

FOREIGN PATENT DOCUMENTS

CN	205568641	U	9/2016	CN	106955017	A	7/2017
CN	205568772	U	9/2016	CN	106974548	A	7/2017
CN	205588641	U	9/2016	CN	106983360	A	7/2017
CN	205597052	U	9/2016	CN	105212693	B	8/2017
CN	205597062	U	9/2016	CN	107019418	A	8/2017
CN	105982529	A	10/2016	CN	107019418	A	8/2017
CN	105996737	A	10/2016	CN	107019419	A	8/2017
CN	105996752	A	10/2016	CN	107019419	A	8/2017
CN	105996753	A	10/2016	CN	107019420	A	8/2017
CN	106037448	A	10/2016	CN	107019420	A	8/2017
CN	106037457	A	10/2016	CN	107019423	A	8/2017
CN	106037458	A	10/2016	CN	107048976	A	8/2017
CN	106073461	A	11/2016	CN	107048991	A	8/2017
CN	106073481	A	11/2016	CN	107048993	A	8/2017
CN	106073517	A	11/2016	CN	107105914	A	8/2017
CN	106106631	A	11/2016	CN	104334066	B	9/2017
CN	106108627	A	11/2016	CN	107136910	A	9/2017
CN	106108631	A	11/2016	CN	107136911	A	9/2017
CN	106166030	A	11/2016	CN	107149395	A	9/2017
CN	108073517	A	11/2016	CN	107149398	A	9/2017
CN	204797615	U	11/2016	CN	105142473	B	10/2017
CN	205671926	U	11/2016	CN	107224188	A	10/2017
CN	205671927	U	11/2016	CN	107224197	A	10/2017
CN	106175412	A	12/2016	CN	107232962	A	10/2017
CN	106175423	A	12/2016	CN	107259978	A	10/2017
CN	106175476	A	12/2016	CN	107290094	A	10/2017
CN	106176412	A	12/2016	CN	107296485	A	10/2017
CN	106213979	A	12/2016	CN	107296486	A	10/2017
CN	106235878	A	12/2016	CN	107296487	A	10/2017
CN	205831665	U	12/2016	CN	107296489	A	10/2017
CN	105343895	A	1/2017	CN	107296490	A	10/2017
CN	106264085	A	1/2017	CN	107296493	A	10/2017
CN	106264095	A	1/2017	CN	107296494	A	10/2017
CN	106343895	A	1/2017	CN	107298489	A	10/2017
CN	108284085	A	1/2017	CN	104643954	B	11/2017
CN	205860134	U	1/2017	CN	107307729	A	11/2017
CN	106366572	A	2/2017	CN	107307730	A	11/2017
CN	106377158	A	2/2017	CN	107361637	A	11/2017
CN	106377159	A	2/2017	CN	107369637	A	11/2017
CN	106388565	A	2/2017	CN	107397431	A	11/2017
CN	106388572	A	2/2017	CN	107411540	A	12/2017
CN	106388585	A	2/2017	CN	107440490	A	12/2017
CN	106419486	A	2/2017	CN	107468052	A	12/2017
CN	106419521	A	2/2017	CN	107495849	A	12/2017
CN	106419524	A	2/2017	CN	107495856	A	12/2017
CN	102805554	B	3/2017	CN	107510356	A	12/2017
CN	106473623	A	3/2017	CN	107510379	A	12/2017
CN	106490967	A	3/2017	CN	206687606	U	12/2017
CN	106510449	A	3/2017	CN	106213986	B	1/2018
CN	206026100	U	3/2017	CN	107550256	A	1/2018
CN	206044349	U	3/2017	CN	107550258	A	1/2018
CN	106551617	A	4/2017	CN	107616686	A	1/2018
CN	106580074	A	4/2017	CN	107618686	A	1/2018
CN	206062888	U	4/2017	CN	108272338	A	1/2018
CN	206102391	U	4/2017	CN	105286496	A	2/2018
CN	106618154	A	5/2017	CN	105286627	A	2/2018
CN	106667244	A	5/2017	CN	107647763	A	2/2018
CN	106691171	A	5/2017	CN	107647769	A	2/2018
CN	206166726	U	5/2017	CN	107647771	A	2/2018
CN	106621017	A	6/2017	CN	107647772	A	2/2018
CN	106805744	A	6/2017	CN	107647777	A	2/2018
CN	106805746	A	6/2017	CN	107660996	A	2/2018
CN	106805747	A	6/2017	CN	107660997	A	2/2018
CN	106805749	A	6/2017	CN	107684336	A	2/2018
CN	106805750	A	6/2017	CN	107684337	A	2/2018
CN	106805752	A	6/2017	CN	107684338	A	2/2018
CN	106820951	A	6/2017	CN	107684339	A	2/2018
CN	106820954	A	6/2017	CN	107684340	A	2/2018
CN	106821017	A	6/2017	CN	107684341	A	2/2018
CN	106852641	A	6/2017	CN	107684342	A	2/2018
CN	106859298	A	6/2017	CN	107692806	A	2/2018
CN	106913201	A	7/2017	CN	107702838	A	2/2018
CN	106923655	A	7/2017	CN	107713732	A	2/2018
CN	106943000	A	7/2017	CN	107713733	A	2/2018
CN	106943002	A	7/2017	CN	107713734	A	2/2018
				CN	107726388	A	2/2018
				CN	106419522	B	3/2018
				CN	107752726	A	3/2018
				CN	107752748	A	3/2018

(56)

References Cited

FOREIGN PATENT DOCUMENTS

CN	107752751	A	3/2018	CN	108378678	A	8/2018
CN	107752788	A	3/2018	CN	108378690	A	8/2018
CN	107773021	A	3/2018	CN	108378878	A	8/2018
CN	107773026	A	3/2018	CN	108402888	A	8/2018
CN	107773029	A	3/2018	CN	108402889	A	8/2018
CN	107773080	A	3/2018	CN	108402920	A	8/2018
CN	107773090	A	3/2018	CN	108420304	A	8/2018
CN	107788820	A	3/2018	CN	108433517	A	8/2018
CN	107788827	A	3/2018	CN	108433529	A	8/2018
CN	107811499	A	3/2018	CN	108433629	A	8/2018
CN	107811517	A	3/2018	CN	108451351	A	8/2018
CN	107811518	A	3/2018	CN	108451388	A	8/2018
CN	107822492	A	3/2018	CN	108464732	A	8/2018
CN	107822494	A	3/2018	CN	207754989	U	8/2018
CN	107822496	A	3/2018	CN	207755036	U	8/2018
CN	107836986	A	3/2018	CN	106539491	B	9/2018
CN	107836988	A	3/2018	CN	107019415	B	9/2018
CN	107838981	A	3/2018	CN	107019416	B	9/2018
CN	207084680	U	3/2018	CN	108477887	A	9/2018
CN	105476472	A	4/2018	CN	108477987	A	9/2018
CN	105476491	A	4/2018	CN	108497908	A	9/2018
CN	107874584	A	4/2018	CN	108497914	A	9/2018
CN	107874599	A	4/2018	CN	108497918	A	9/2018
CN	107874601	A	4/2018	CN	108497942	A	9/2018
CN	107874602	A	4/2018	CN	108523647	A	9/2018
CN	107898351	A	4/2018	CN	108523649	A	9/2018
CN	107928388	A	4/2018	CN	108552969	A	9/2018
CN	107928395	A	4/2018	CN	108552989	A	9/2018
CN	107951369	A	4/2018	CN	108567309	A	9/2018
CN	107951376	A	4/2018	CN	108567321	A	9/2018
CN	107951407	A	4/2018	CN	108567322	A	9/2018
CN	105616638	A	5/2018	CN	108577514	A	9/2018
CN	107969907	A	5/2018	CN	108852969	A	9/2018
CN	107969908	A	5/2018	CN	105552432	A	10/2018
CN	107981713	A	5/2018	CN	106264094	B	10/2018
CN	107997571	A	5/2018	CN	108606627	A	10/2018
CN	108013742	A	5/2018	CN	108618592	A	10/2018
CN	108013743	A	5/2018	CN	108618593	A	10/2018
CN	108030404	A	5/2018	CN	108618594	A	10/2018
CN	108041976	A	5/2018	CN	108618595	A	10/2018
CN	105143260	A	6/2018	CN	108618597	A	10/2018
CN	108095570	A	6/2018	CN	108618651	A	10/2018
CN	108113501	A	6/2018	CN	108618695	A	10/2018
CN	108143256	A	6/2018	CN	108634771	A	10/2018
CN	108143259	A	6/2018	CN	108634777	A	10/2018
CN	108143260	A	6/2018	CN	108634807	A	10/2018
CN	108143261	A	6/2018	CN	108652431	A	10/2018
CN	108143262	A	6/2018	CN	108652432	A	10/2018
CN	108143263	A	6/2018	CN	108670023	A	10/2018
CN	108143264	A	6/2018	CN	108703644	A	10/2018
CN	108158429	A	6/2018	CN	108703645	A	10/2018
CN	108209547	A	6/2018	CN	108703675	A	10/2018
CN	104207651	B	7/2018	CN	108870021	A	10/2018
CN	106175423	A	7/2018	CN	106580073	B	11/2018
CN	108244994	A	7/2018	CN	108720548	A	11/2018
CN	108244995	A	7/2018	CN	108720577	A	11/2018
CN	108244997	A	7/2018	CN	108720581	A	11/2018
CN	108244998	A	7/2018	CN	108720584	A	11/2018
CN	108244999	A	7/2018	CN	108720585	A	11/2018
CN	108245000	A	7/2018	CN	108720586	A	11/2018
CN	108261055	A	7/2018	CN	108720633	A	11/2018
CN	108261061	A	7/2018	CN	108732958	A	11/2018
CN	108261066	A	7/2018	CN	108771466	A	11/2018
CN	108272336	A	7/2018	CN	108784323	A	11/2018
CN	108272338	A	7/2018	CN	108784324	A	11/2018
CN	108294616	A	7/2018	CN	108784330	A	11/2018
CN	108309035	A	7/2018	CN	108784401	A	11/2018
CN	108324096	A	7/2018	CN	108814274	A	11/2018
CN	105451351	A	8/2018	CN	108835108	A	11/2018
CN	106388570	B	8/2018	CN	108836104	A	11/2018
CN	106419517	B	8/2018	CN	108836105	A	11/2018
CN	106419617	B	8/2018	CN	108836107	A	11/2018
CN	106588570	B	8/2018	CN	108836108	A	11/2018
CN	108354444	A	8/2018	CN	108836131	A	11/2018
CN	108354466	A	8/2018	CN	108851966	A	11/2018
				CN	108851969	A	11/2018
				CN	108870021	A	11/2018
				CN	10888087	A	11/2018
				CN	10888099	A	11/2018

(56)

References Cited

FOREIGN PATENT DOCUMENTS

CN	108903620	A	11/2018	WO	2017039091	A1	3/2017
CN	108903621	A	11/2018	WO	2017045387	A1	3/2017
CN	106419520	B	12/2018	WO	2017049635	A1	3/2017
CN	106419526	B	12/2018	WO	2017049717	A1	3/2017
CN	108926249	A	12/2018	WO	2017050693	A2	3/2017
CN	108928239	A	12/2018	WO	2017063872	A1	4/2017
CN	108937520	A	12/2018	WO	2017072068	A1	5/2017
CN	108937525	A	12/2018	WO	2017074119	A1	5/2017
CN	108937556	A	12/2018	WO	2017076797	A1	5/2017
CN	108937558	A	12/2018	WO	2017081420	A1	5/2017
CN	108937559	A	12/2018	WO	2017085026	A1	5/2017
CN	108937560	A	12/2018	WO	2017085671	A1	5/2017
CN	108937568	A	12/2018	WO	2017085673	A1	5/2017
CN	108955959	A	12/2018	WO	2017085871	A1	5/2017
CN	108968659	A	12/2018	WO	2017086543	A1	5/2017
CN	108968660	A	12/2018	WO	2017082063	A1	6/2017
CN	108968662	A	12/2018	WO	2017092062	A1	6/2017
CN	108968663	A	12/2018	WO	2017092063	A1	6/2017
CN	108968667	A	12/2018	WO	2017094968	A1	6/2017
CN	108968668	A	12/2018	WO	2017097790	A1	6/2017
CN	108968669	A	12/2018	WO	2017104596	A1	6/2017
CN	108991918	A	12/2018	WO	2017104892	A1	6/2017
CN	108991919	A	12/2018	WO	2017104893	A1	6/2017
CN	109008595	A	12/2018	WO	2017104894	A1	6/2017
CN	109008598	A	12/2018	WO	2017104895	A1	6/2017
CN	208259529	U	12/2018	WO	2017104896	A1	6/2017
CN	106562666	B	1/2019	WO	2017104898	A1	6/2017
CN	106582888	B	1/2019	WO	2017104900	A1	6/2017
CN	106606293	B	1/2019	WO	2017105076	A2	6/2017
CN	106724784	B	1/2019	WO	2017106076	A2	6/2017
CN	106806293	B	1/2019	WO	2017111425	A1	6/2017
CN	106820956	B	1/2019	WO	2017121691	A1	7/2017
CN	106820957	B	1/2019	WO	2017127655	A1	7/2017
CN	107019417	B	1/2019	WO	2017127656	A1	7/2017
CN	109247837	A	1/2019	WO	2017144795	A1	8/2017
CN	106388566	B	2/2019	WO	2017149519	A1	9/2017
CN	106388566	B	3/2019	WO	2017152518	A1	9/2017
CN	107174116	B	3/2019	WO	2017153360	A1	9/2017
CN	107174117	B	3/2019	WO	2017158068	A1	9/2017
CN	109393957	A	3/2019	WO	2017166317	A1	10/2017
CN	106640308	A	6/2019	WO	2017177007	A1	10/2017
CN	108354466	A	8/2019	WO	2017177423	A1	10/2017
EP	1767860	A1	3/2007	WO	2017178229	A1	10/2017
JP	2014200627	A	10/2014	WO	2017178650	A1	10/2017
JP	2014204770	A	10/2014	WO	2017178739	A1	10/2017
WO	8911773	A1	11/1989	WO	2017179804	A1	10/2017
WO	9837786	A1	9/1998	WO	2017191377	A1	11/2017
WO	9837796	A1	9/1998	WO	2017191395	A1	11/2017
WO	9952326	A1	10/1999	WO	2017195777	A1	11/2017
WO	9952328	A1	10/1999	WO	2017197482	A1	11/2017
WO	0044096		7/2000	WO	2017198815	A1	11/2017
WO	0044096	A2	7/2000	WO	2017198816	A1	11/2017
WO	0049839	A1	8/2000	WO	2017198848	A1	11/2017
WO	2006122643	A1	11/2006	WO	2017201530	A1	11/2017
WO	2009043812	A1	4/2009	WO	2017202641	A1	11/2017
WO	2015006891	A1	1/2015	WO	2017209465	A1	12/2017
WO	2015028940	A1	3/2015	WO	2017211045	A1	12/2017
WO	2015081549	A1	6/2015	WO	2017213330	A1	12/2017
WO	2016007002	A1	1/2016	WO	2017213330	A2	12/2017
WO	2016028549	A1	2/2016	WO	2017213423	A1	12/2017
WO	2016091063	A1	6/2016	WO	2017215926	A1	12/2017
WO	2016132975	A1	8/2016	WO	2017215988	A1	12/2017
WO	2016141009	A1	8/2016	WO	2018004226	A1	1/2018
WO	2016141009	A1	9/2016	WO	2018007218	A1	1/2018
WO	2016148492	A1	9/2016	WO	2018014806	A1	1/2018
WO	2016154114	A1	9/2016	WO	2018015695	A1	1/2018
WO	2016165198	A1	10/2016	WO	2018015696	A1	1/2018
WO	2016171385	A1	10/2016	WO	2017213330	A1	12/2017
WO	2016152975	A1	11/2016	WO	2017213330	A2	12/2017
WO	2016182975	A1	11/2016	WO	2017213423	A1	12/2017
WO	2016189440		12/2016	WO	2017215926	A1	12/2017
WO	2016189440	A1	12/2016	WO	2017215988	A1	12/2017
WO	2016193008	A1	12/2016	WO	2018004226	A1	1/2018
WO	2016193643	A1	12/2016	WO	2018007218	A1	1/2018
WO	2017005533	A1	1/2017	WO	2018014806	A1	1/2018
				WO	2018015695	A1	1/2018
				WO	2018015696	A1	1/2018
				WO	2017077571	A1	2/2018
				WO	2017077671	A1	2/2018
				WO	2018018670	A1	2/2018
				WO	2018023863	A1	2/2018
				WO	2018024781	A1	2/2018
				WO	2018024782	A1	2/2018
				WO	2018024783	A1	2/2018
				WO	2018026041	A1	2/2018
				WO	2018026906	A1	2/2018
				WO	2018026928	A1	2/2018
				WO	2018032540	A1	2/2018
				WO	2018032541	A1	2/2018

(56)

References Cited

FOREIGN PATENT DOCUMENTS

WO	2018032542	A1	2/2018
WO	2018032589	A1	2/2018
WO	2018032648	A1	2/2018
WO	2018037177	A1	3/2018
WO	2018040250	A1	3/2018
WO	2018041536	A1	3/2018
WO	2018045643	A1	3/2018
WO	2018050520	A1	3/2018
WO	2018050838	A1	3/2018
WO	2018058384	A1	4/2018
WO	2018058569	A1	4/2018
WO	2018058740	A1	4/2018
WO	2018059994	A1	4/2018
WO	2018060260	A1	4/2018
WO	2018060273	A1	4/2018
WO	2018060331	A1	4/2018
WO	2018065424	A1	4/2018
WO	2018068376	A1	4/2018
WO	2018068425	A1	4/2018
WO	2018068976	A1	4/2018
WO	2018069994	A1	4/2018
WO	2018076164	A1	5/2018
WO	2018076166	A1	5/2018
WO	2018076415	A1	5/2018
WO	2018078416	A1	5/2018
WO	2018080273	A1	5/2018
WO	2018082131	A1	5/2018
WO	2018090287	A1	5/2018
WO	2018093004	A1	5/2018
WO	2018095247	A1	5/2018
WO	2018095420	A1	5/2018
WO	2018095949	A1	5/2018
WO	2018096247	A1	5/2018
WO	2018120561	A1	5/2018
WO	2017104893	A1	6/2018
WO	2018095420	A1	6/2018
WO	2018099233	A1	6/2018
WO	2018102128	A1	6/2018
WO	2018107522	A1	6/2018
WO	2018107973	A1	6/2018
WO	2018116056	A1	6/2018
WO	2018116057	A1	6/2018
WO	2018116066	A1	6/2018
WO	2018120561	A1	7/2018
WO	2018121166	A1	7/2018
WO	2018121199	A1	7/2018
WO	2018133993	A1	7/2018
WO	2018137832	A1	8/2018
WO	2018140954	A1	8/2018
WO	2018147640	A1	8/2018
WO	2018165698	A1	9/2018
WO	2018197720	A1	11/2018
WO	2018207221	A1	11/2018
WO	2016193008	A1	12/2018
WO	2018220659	A1	12/2018
WO	2018220859	A1	12/2018
WO	2018223713	A1	12/2018
WO	2019032876	A1	2/2019
WO	2019032878	A1	2/2019

OTHER PUBLICATIONS

U.S. Appl. No. 29/679,923, filed Feb. 11, 2019; Restriction Requirement dated May 13, 2020; 8 pages.

U.S. Appl. No. 29/679,924, filed Feb. 11, 2019; Restriction Requirement dated May 13, 2020; 8 pages.
 U.S. Appl. No. 29/679,925, filed Feb. 11, 2019; Restriction Requirement dated May 13, 2020; 8 pages.
 U.S. Appl. No. 29/659,571, filed Aug. 9, 2018; Restriction Requirement dated Oct. 1, 2019; pp. 1-8.
 U.S. Appl. No. 29/659,577, filed Aug. 9, 2018; Restriction Requirement dated Oct. 1, 2019; pp. 1-8.
 U.S. Appl. No. 29/660,495, filed Aug. 21, 2018; Food Preparation Device and Parts Thereof; Notice of Allowance dated Oct. 25, 2019; pp. 1-9.
 U.S. Appl. No. 29/660,472, filed Aug. 21, 2018; Restriction Requirement dated Oct. 1, 2019; pp. 1-8.
 U.S. Appl. No. 29/679,920, filed Feb. 11, 2019; User Interface for a Food Preparation Device; Notice of Allowance dated Oct. 23, 2019; pp. 1-10.
 U.S. Appl. No. 29/679,922, filed Feb. 11, 2019; Restriction Requirement dated May 13, 2020; 8 pages.
 U.S. Appl. No. 29/659,576, filed Aug. 9, 2018; Restriction Requirement dated May 19, 2020; 8 pages.
 Ninja Kitchen; "Ninja Foodi: Pro Grill"; Announced Aug. 15, 2019 [online]; Site visited Jun. 15, 2020; 14 pages; Available from Internet URL: <https://direct.ninjakitchen.com/16/products/ninja-foodi-grill-ag302/16/microsite/ogxvii/?opt=2>.
 U.S. Appl. No. 29/733,284, filed Apr. 30, 2020; Non-Final Office Action dated Jun. 25, 2020; 10 pages.
 U.S. Appl. No. 29/653,847, filed Jun. 19, 2018; Restriction Requirement dated May 29, 2020; 7 pages.
 U.S. Appl. No. 29/653,863, filed Jun. 19, 2018; Restriction Requirement dated Jun. 2, 2020; 7 pages.
 Notification of Transmittal of the International Search Report of the International Searching Authority, or the Declaration; PCT/US2018/046078; dated Jan. 2, 2019, 7 pages.
 Notification of Transmittal of the Written Opinion of the International Searching Authority, or the Declaration; PCT/US2018/046079; dated Jan. 2, 2019, 10 pages.
 WO2019122652A1; Jul. 5, 2018; English Abstract Only (3 Pages). DeLonghi, [online]; [retrieved on Mar. 18, 2019]; retrieved from the Internet <https://www.delonghi.com/en-us/products/kitchen/kitchen-appliances/low-oil-fryer-and-multicooker/multifry-fh11631bk-0126392006?TabSegment=support#supportDeLonghi>, "FH1163 FH1363 MultiFry", DeLonghi Instruction Manual, www.delonghi.com, 5712511041/05.15, pp. 1-11.
 DeLonghi, "FH1163 FH1363 MultiFry", [online] [retrieved on Mar. 18, 2019] retrieved from the Internet Instruction Manual, www.delonghi.com, 5712511041/05.15, 1-11 pages.
 Notification of Transmittal of the International Search Report of the International Searching Authority, or the Declaration. PCT/US2018/046077, dated Dec. 19, 2018, 7 pages.
 Notification of Transmittal of the International Search Report of the International Searching Authority, or the Declaration PCT/US2018/046079 dated Jan. 2, 2019, 7 pages.
 Notification of Transmittal of the Written Opinion of the International Searching Authority, or the Declaration. PCT/US2018/046077, dated Dec. 19, 2018, 10 pages.
 (Jan. 2, 2019) Notification of Transmittal of the Written Opinion of the International Searching Authority, or the Declaration PCT/US2018/046079, 10 pages.
 WO2018122652A1; Jul. 5, 2018; English Abstract Only (3 Pages).

* cited by examiner

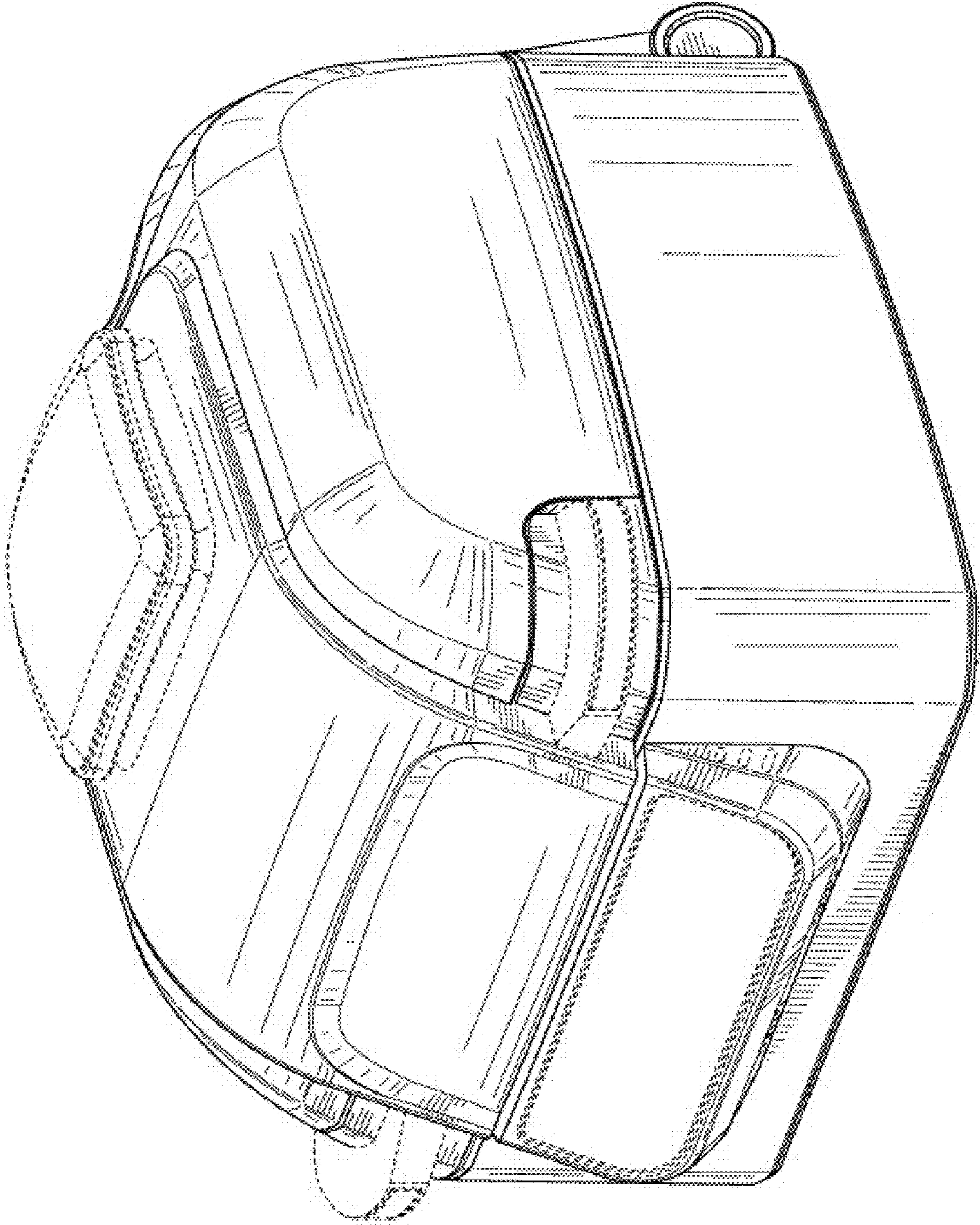


FIG. 1

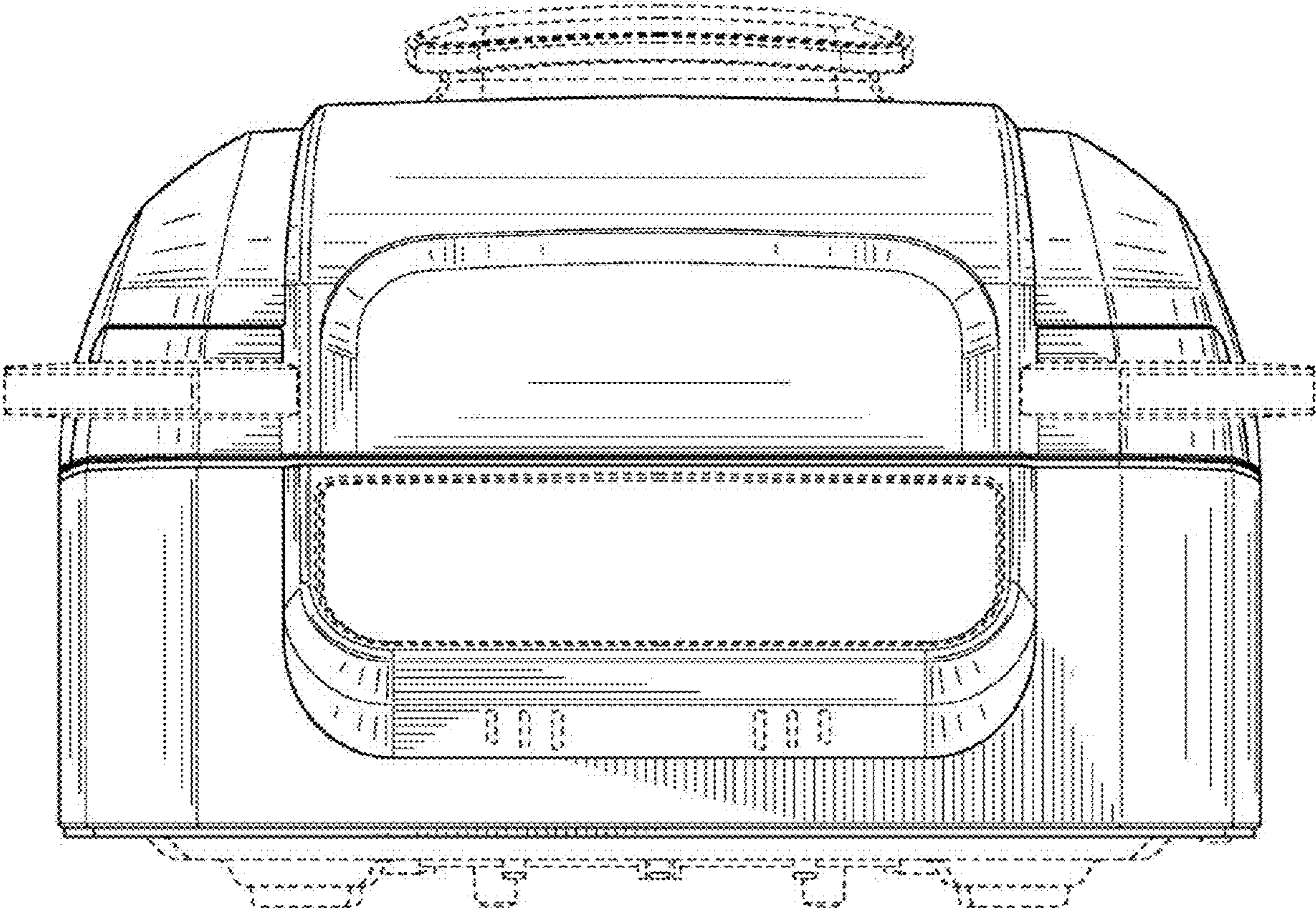


FIG. 2

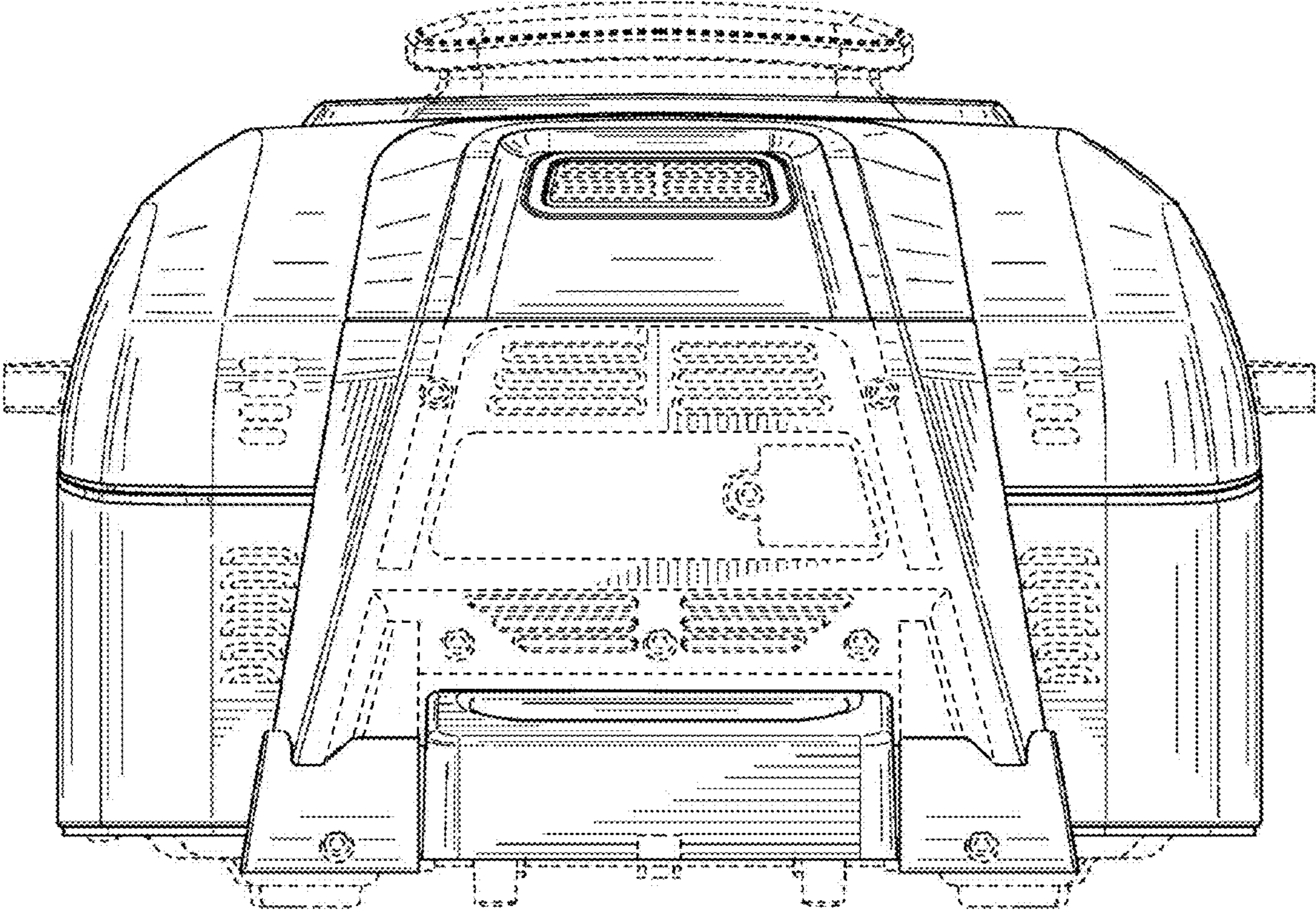


FIG. 3

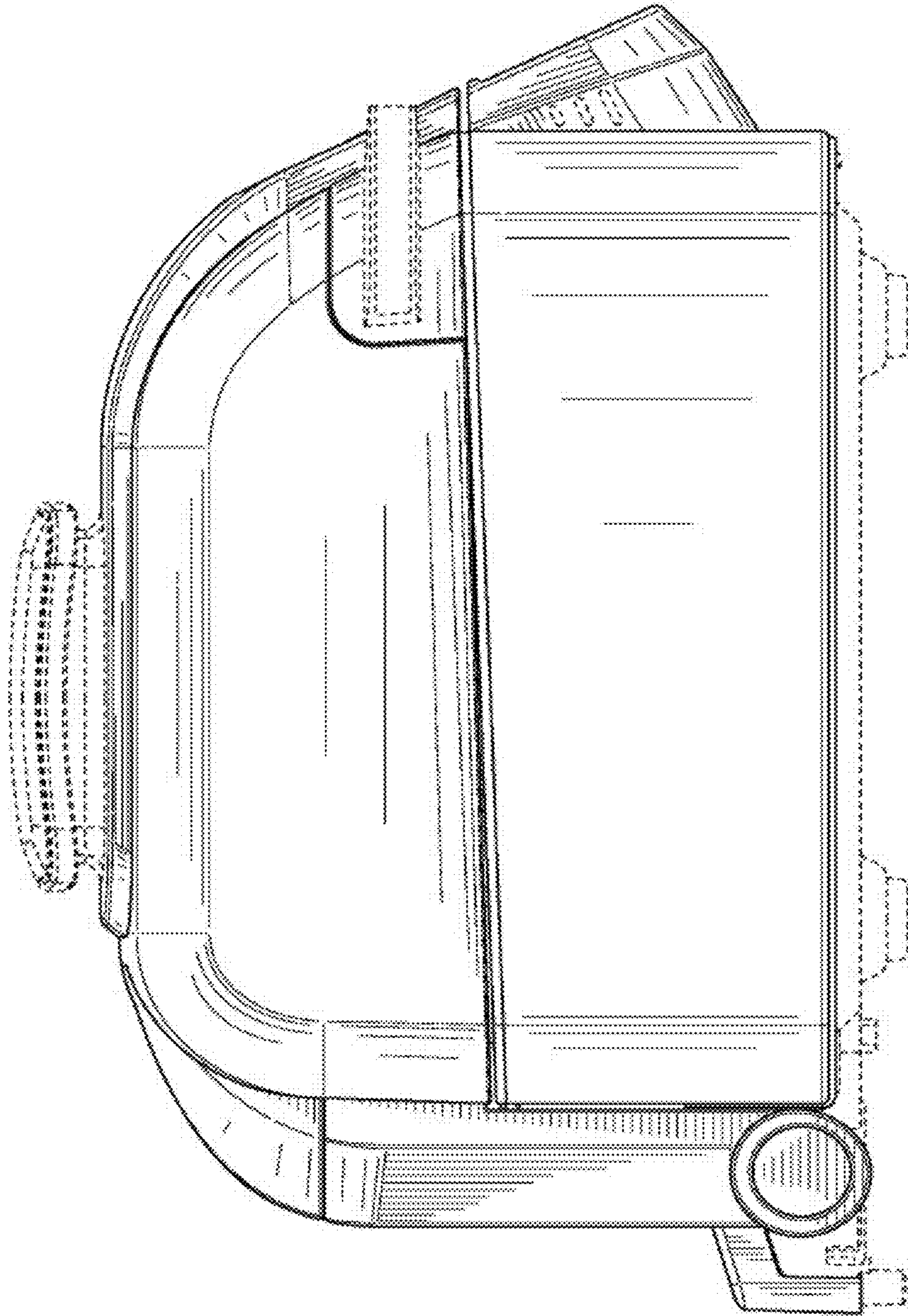


FIG. 4

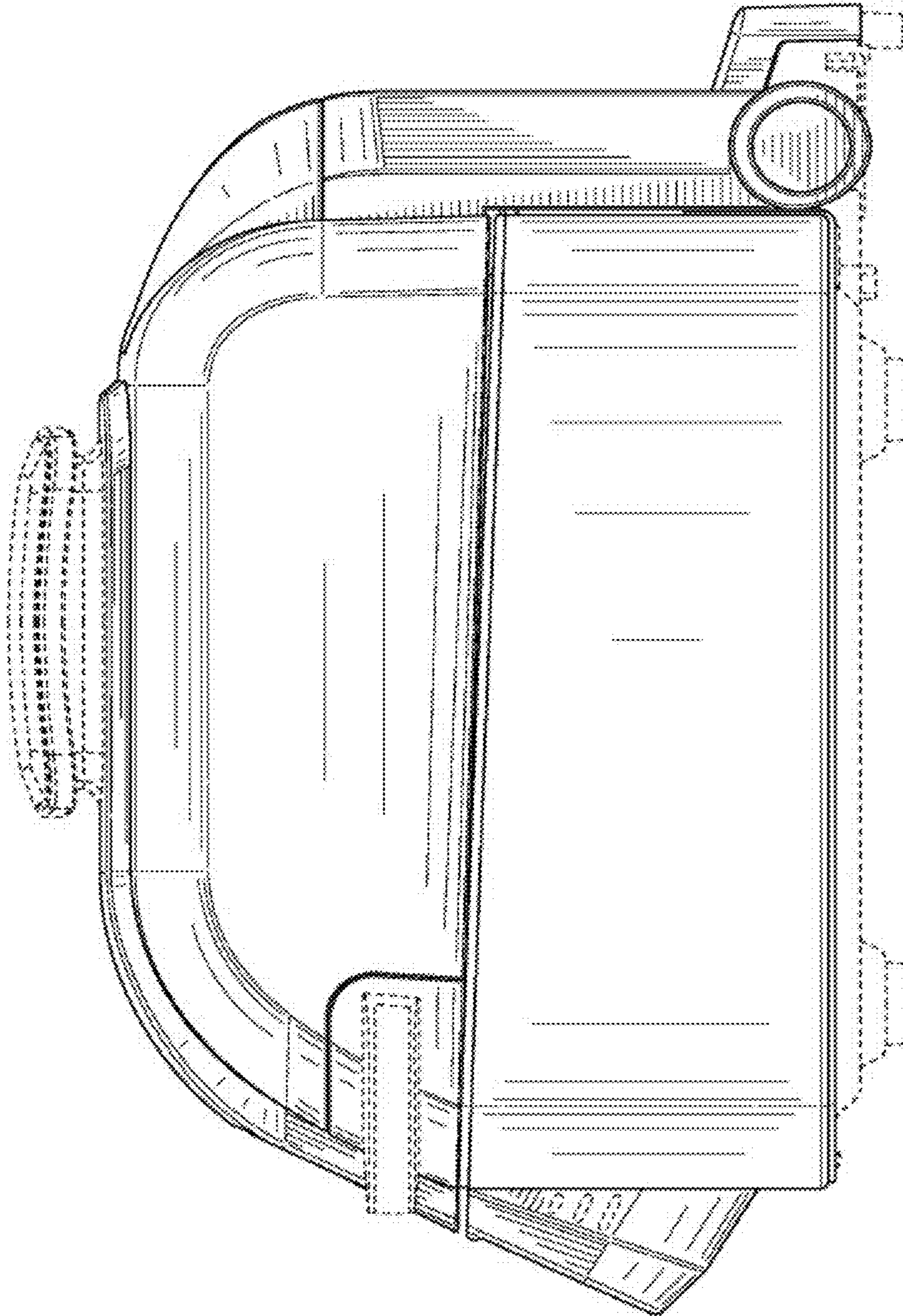


FIG. 5

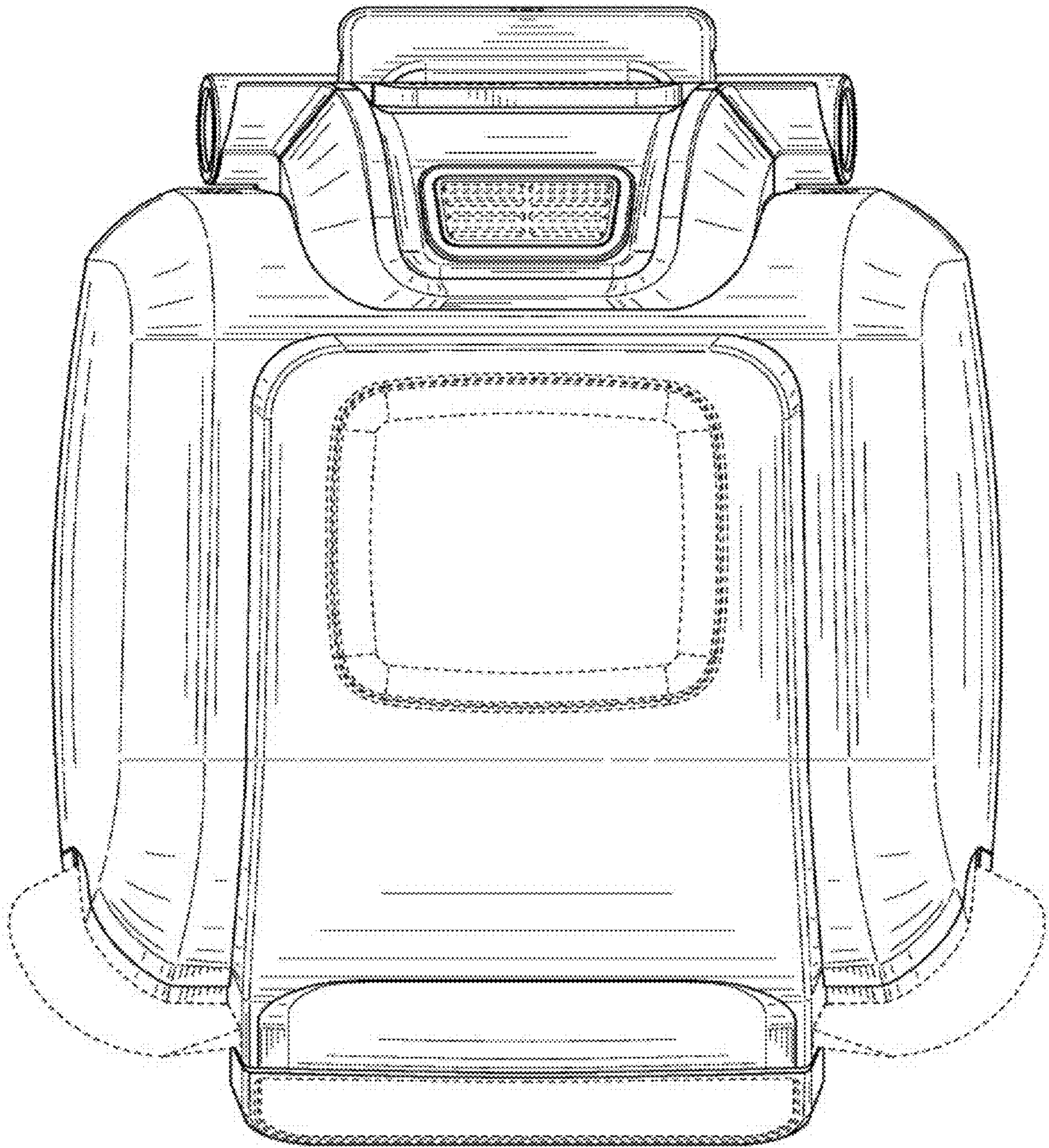


FIG. 6

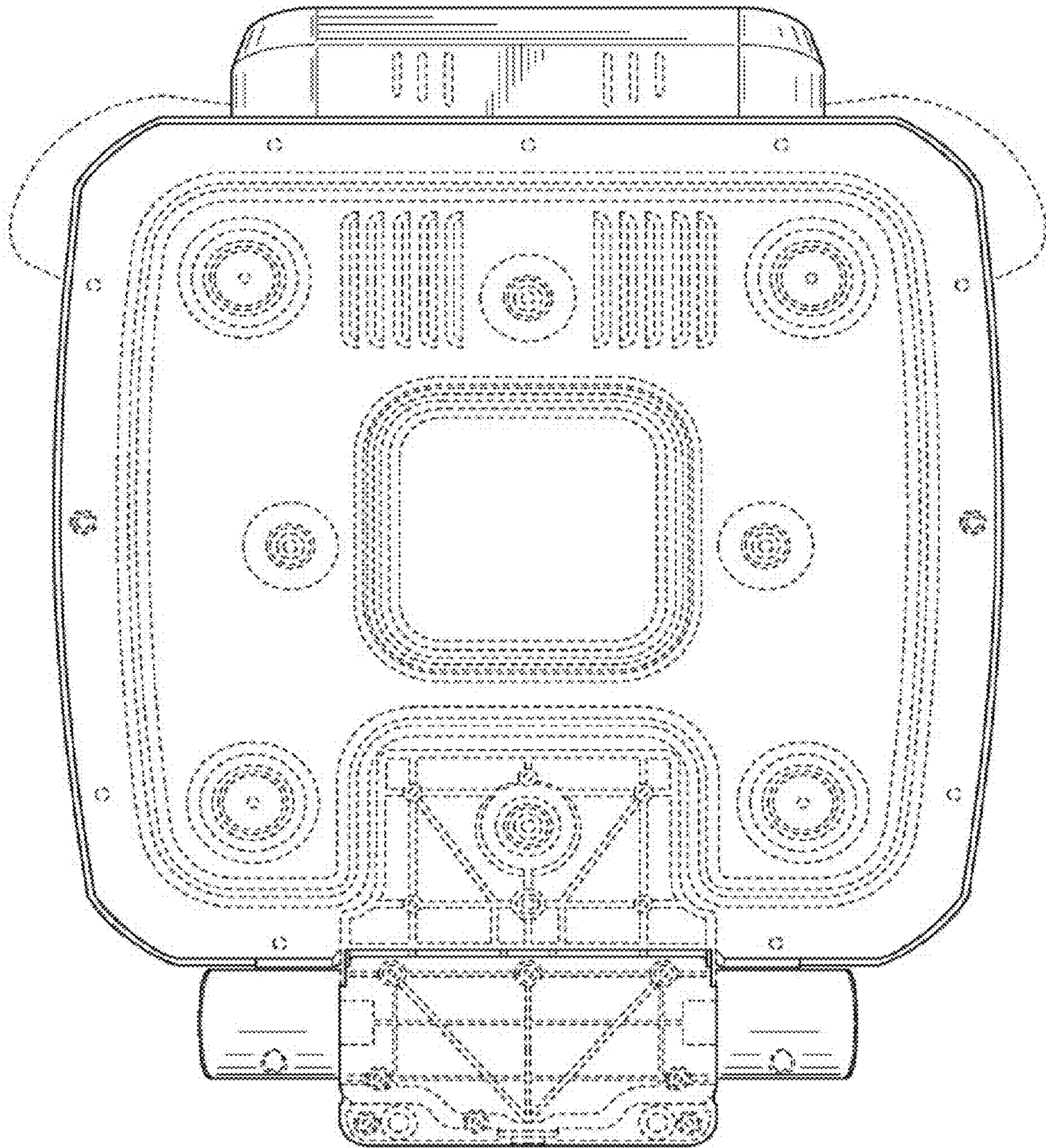


FIG. 7