



US00D982374S

(12) **United States Design Patent** (10) **Patent No.:** **US D982,374 S**  
**Wang** (45) **Date of Patent:** **\*\* Apr. 4, 2023**

(54) **PIZZA OVEN**  
(71) Applicant: **OVENDESIGN GROUP., LIMITED,**  
Foshan (CN)  
(72) Inventor: **Hengyi Wang,** Foshan (CN)  
(73) Assignee: **OVENDESIGN GROUP., LIMITED,**  
Foshan (CN)  
(\*\*) Term: **15 Years**

D849,466 S \* 5/2019 Formisano ..... D7/348  
D850,842 S \* 6/2019 Johnston ..... D7/334  
D893,256 S \* 8/2020 Pruitt et al.  
D896,561 S \* 9/2020 Measom ..... D7/334  
D914,431 S \* 3/2021 Ma ..... H05B 6/129  
D7/334  
D931,029 S \* 9/2021 Gozney ..... A47J 37/0623  
D7/332  
D939,883 S \* 1/2022 Bonfiglioli ..... B29C 70/30  
D7/348  
11,510,524 B2 \* 11/2022 Pruitt ..... A47J 37/0754  
2014/0224239 A1 \* 8/2014 Pieri ..... B29C 70/30  
126/21 R

(21) Appl. No.: **29/845,891**

(Continued)

(22) Filed: **Jul. 12, 2022**

(51) **LOC (14) Cl.** ..... **07-02**

(52) **U.S. Cl.**  
USPC ..... **D7/348**

(58) **Field of Classification Search**  
USPC ..... D7/323, 327, 328, 329, 332, 333, 334,  
D7/335, 339, 340, 341, 346, 347, 348,  
D7/350.1, 350.2, 350.3, 350.4, 352, 362,  
D7/365, 367, 402, 403, 404; D23/329,  
D23/338, 339, 342, 343, 402  
CPC ... A21B 2/00; A47J 33/00; A47J 36/38; A47J  
37/00; A47J 37/06; A47J 37/0623; A47J  
37/0629; A47J 37/0635; A47J 37/0647;  
A47J 37/0652; A47J 37/0658; A47J  
37/07; A47J 37/0704; A47J 37/0709;  
A47J 37/0713; A47J 37/0763; F24B  
1/181; F23B 20/00; F24C 1/16; F24C  
5/20

See application file for complete search history.

(56) **References Cited**

**U.S. PATENT DOCUMENTS**

5,872,351 A \* 2/1999 Sowerby ..... H05B 6/129  
219/622  
D414,374 S \* 9/1999 Ting ..... D7/334  
D623,003 S \* 9/2010 Chung ..... D7/334  
D760,539 S \* 7/2016 Colston ..... D7/402  
D792,148 S \* 7/2017 Chung ..... D7/334

**OTHER PUBLICATIONS**

Forno Piombo Outdoor Pizza Oven, posted at Amazon.com on Mar. 10, 2022, [site visited Sep. 27, 2022]. Available from internet, URL: <<https://www.amazon.com/Forno-Piombo-Insulated-Refractory-Versatile/dp/B09V7MT5TG?th=1>> (Year: 2022).\*

*Primary Examiner* — Andrew Kerr  
*Assistant Examiner* — Chariton Alexakis  
(74) *Attorney, Agent, or Firm* — Nitin Kaushik

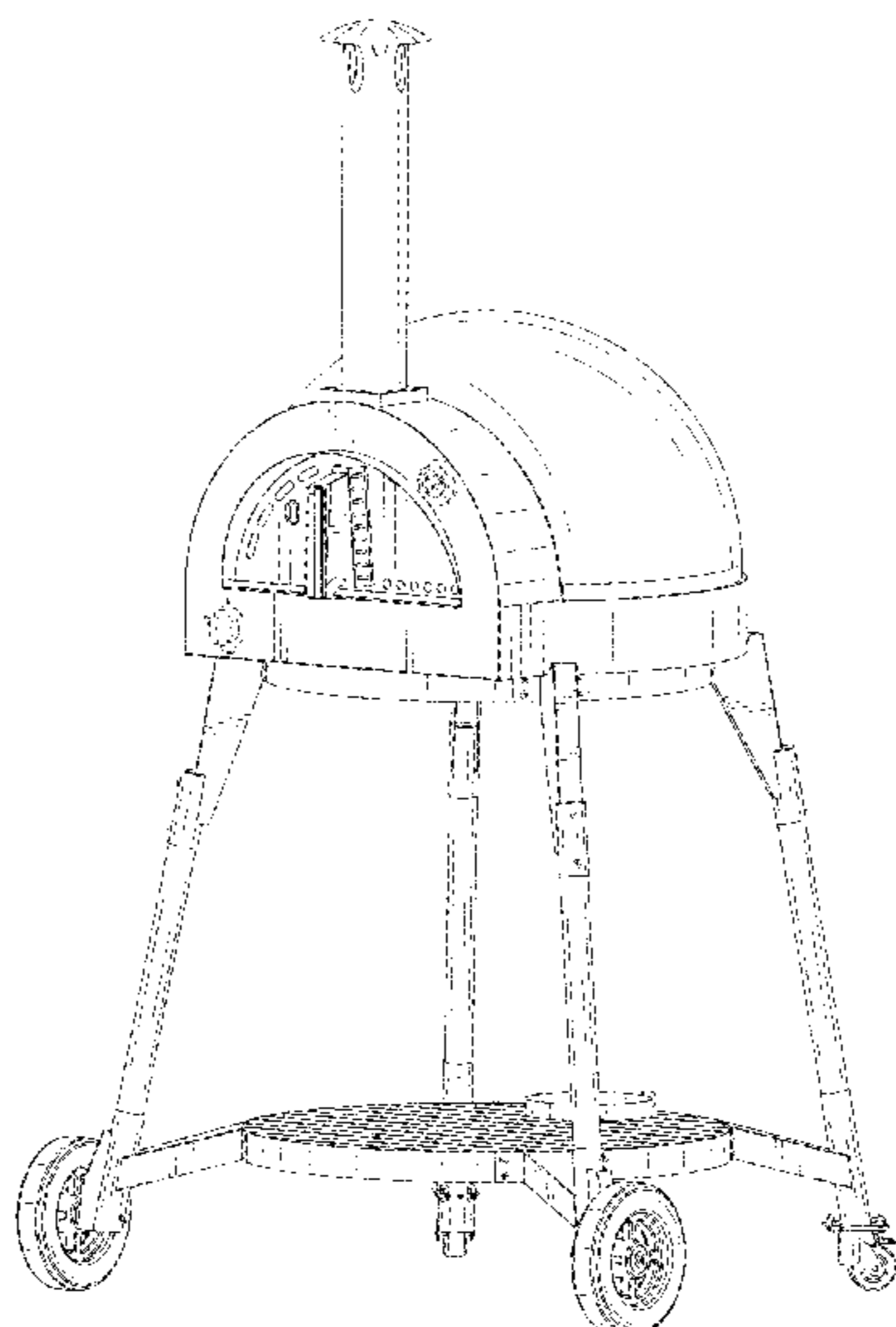
(57) **CLAIM**

The ornamental design for a pizza oven, as shown and described.

**DESCRIPTION**

FIG. 1 is a front perspective view of a pizza oven, showing my new design;  
FIG. 2 is a front view thereof;  
FIG. 3 is a rear view thereof;  
FIG. 4 is a left side view thereof;  
FIG. 5 is a right side view thereof;  
FIG. 6 is a top view thereof; and,  
FIG. 7 is a bottom view thereof.  
The broken lines in the drawings illustrate the portions of the pizza oven, which form no part of the claimed design.

**1 Claim, 7 Drawing Sheets**



(56)

**References Cited**

U.S. PATENT DOCUMENTS

2020/0054167 A1\* 2/2020 Formisano ..... A47J 37/0623

\* cited by examiner

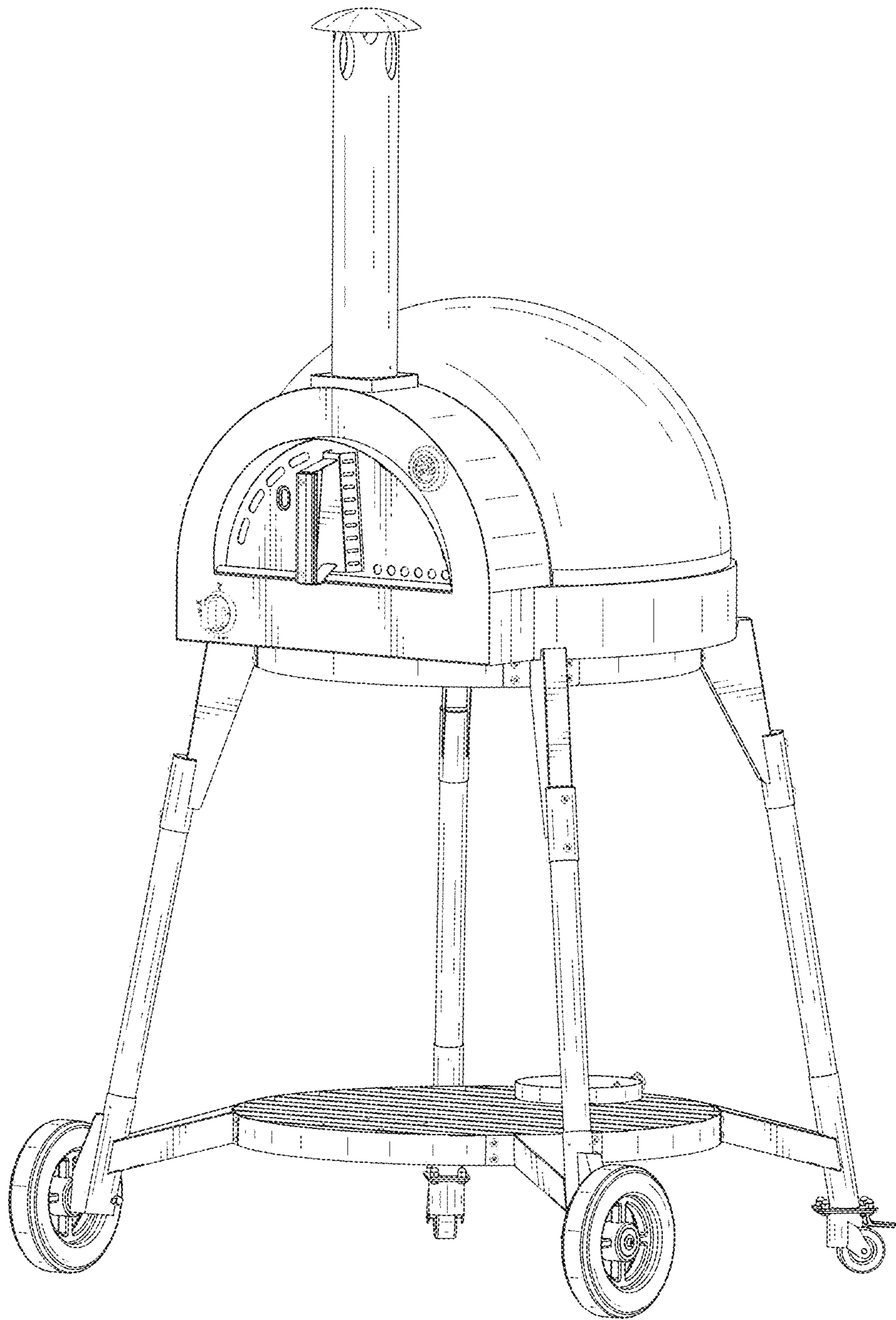


FIG. 1

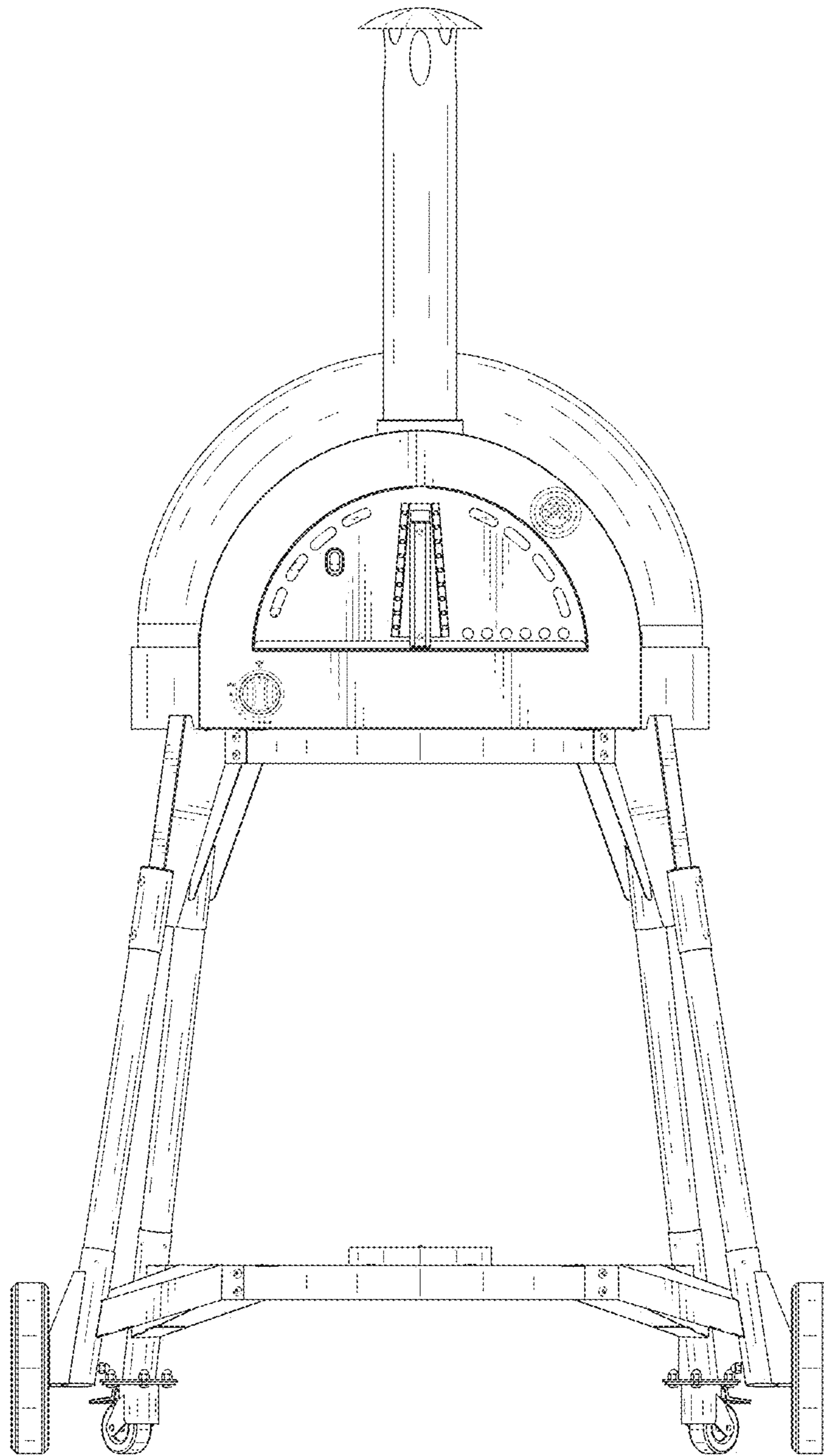


FIG. 2

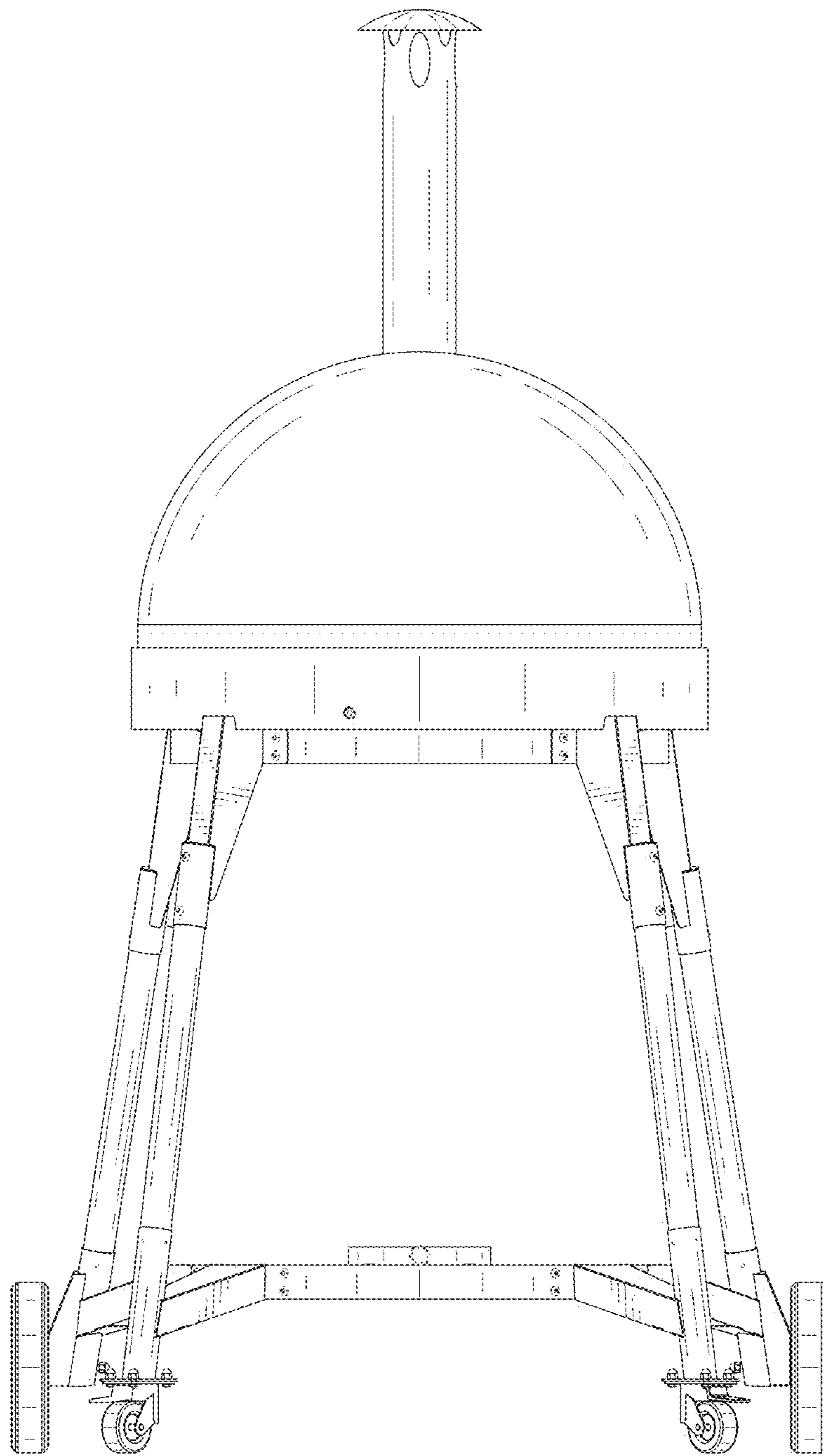


FIG. 3



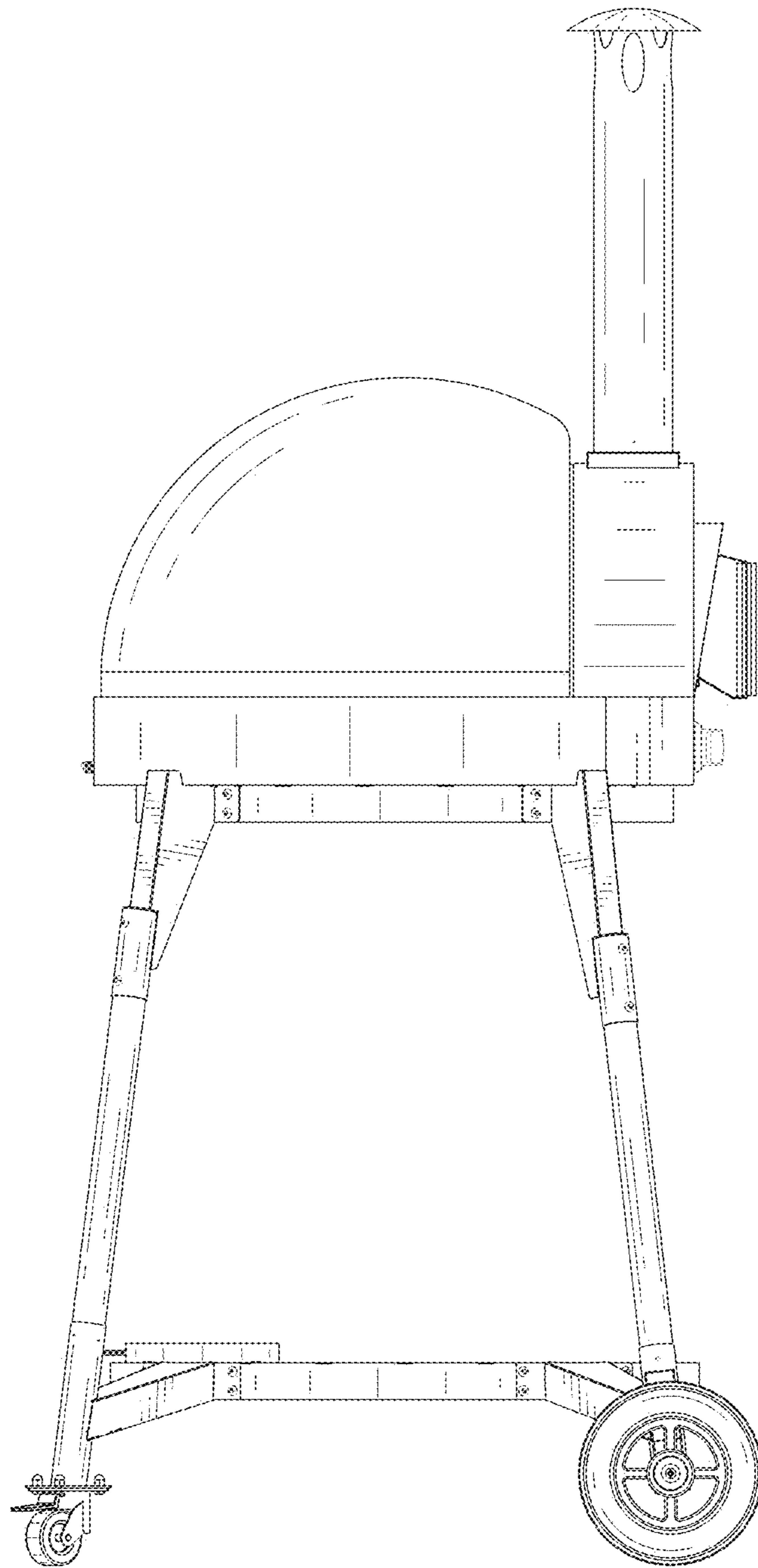


FIG. 4

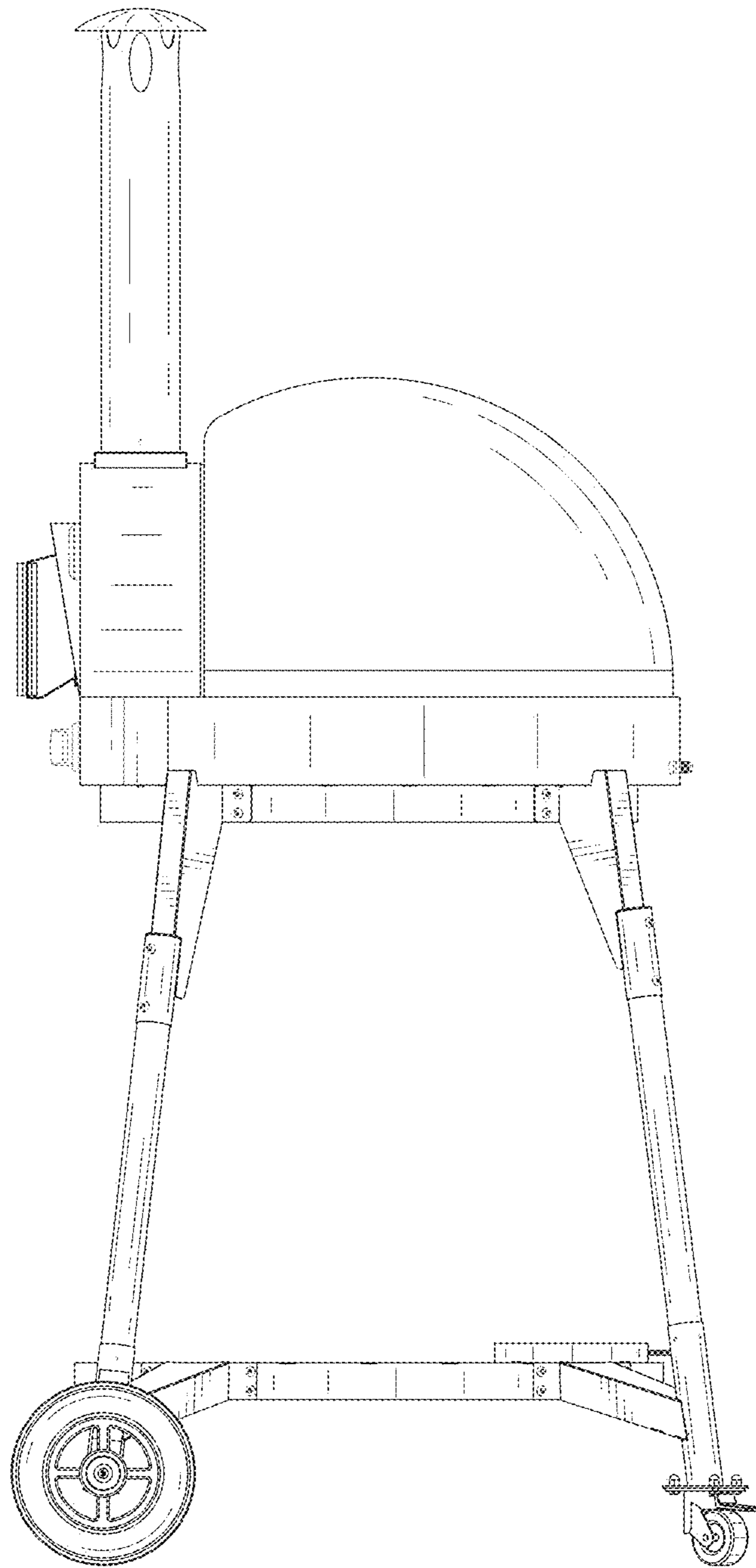


FIG. 5

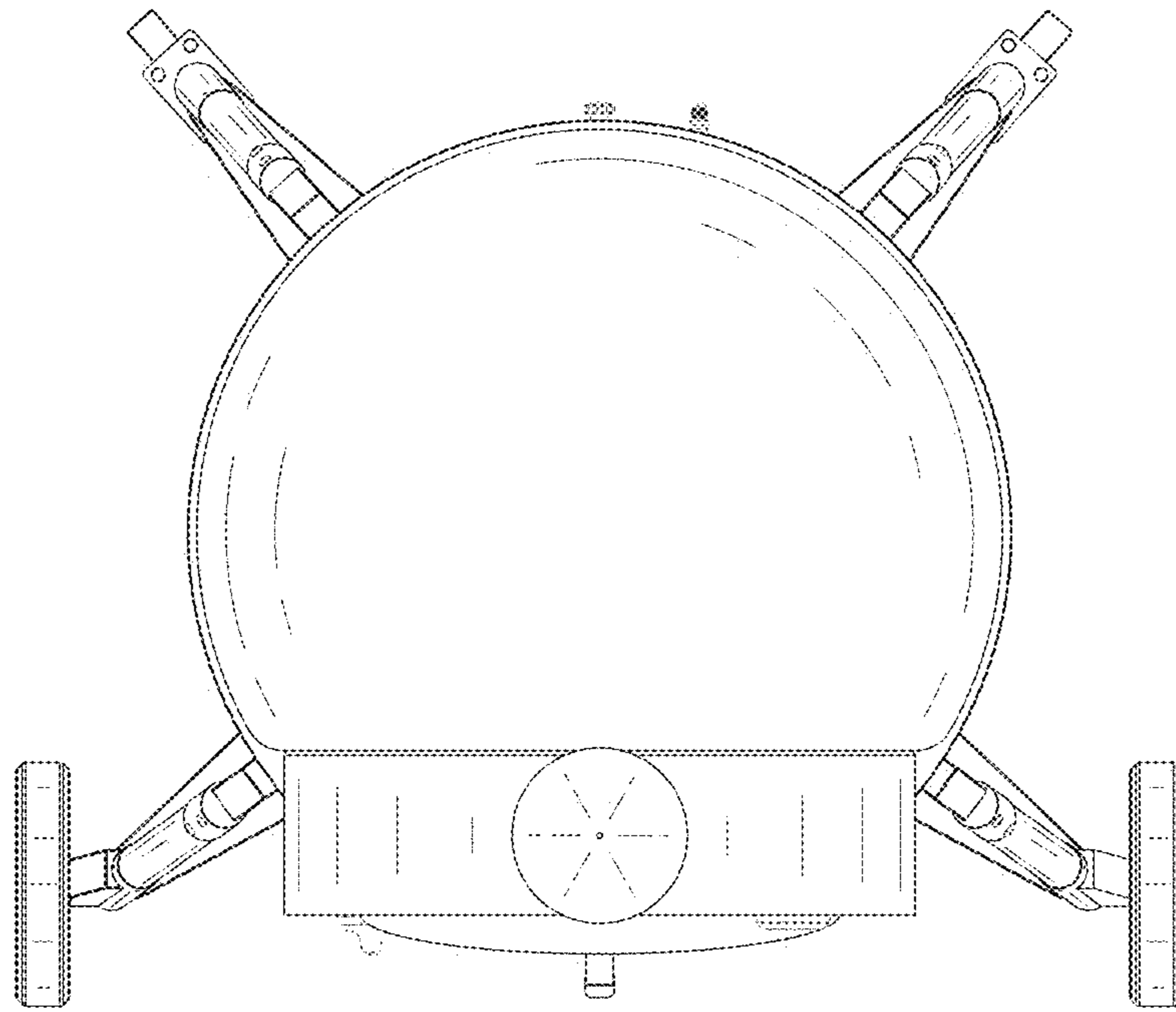


FIG. 6



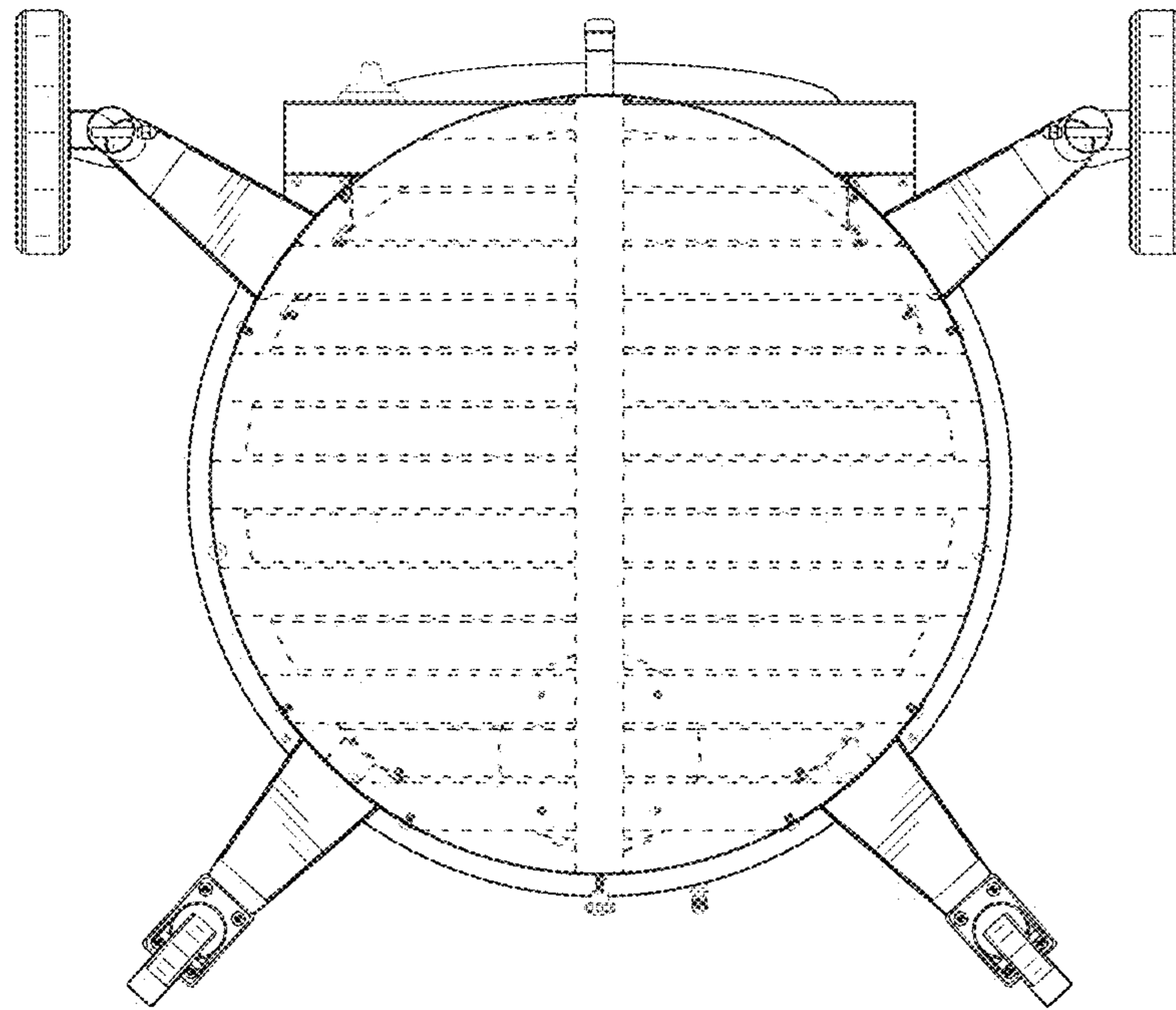


FIG. 7