



US00D982373S

(12) **United States Design Patent**  
**Corso et al.**

(10) **Patent No.:** **US D982,373 S**  
(45) **Date of Patent:** **\*\* Apr. 4, 2023**

- (54) **MINI PELLET GRILL**
- (71) Applicant: **W.C. BRADLEY CO.**, Columbus, GA (US)
- (72) Inventors: **Dan Corso**, Columbus, GA (US); **Anthony Hamilton**, Hamilton, GA (US); **Ramin Khosravi Rahmani**, Columbus, GA (US); **Jeffrey Raymond Juskowich**, Murfreesboro, TN (US); **Brad Gillespie**, Midland, GA (US)

4,665,891 A \* 5/1987 Nemec ..... A47J 37/0704  
126/25 R  
D295,136 S \* 4/1988 Cox, Jr. .... D7/334  
4,810,510 A 3/1989 Lever et al.  
4,823,684 A 4/1989 Traeger et al.  
(Continued)

- (\*\*) Term: **15 Years**
- (21) Appl. No.: **29/731,305**
- (22) Filed: **Apr. 14, 2020**
- (51) **LOC (14) Cl.** ..... **07-02**
- (52) **U.S. Cl.**  
USPC ..... **D7/334; D7/332**
- (58) **Field of Classification Search**  
USPC ..... 126/25 R; D7/323, 331, 332, 334, 336, D7/402, 403, 337  
CPC ..... A47J 33/00; A47J 37/07; A47J 37/0704; A47J 37/0709; A47J 37/0713; A47J 37/0718; A47J 37/0722; A47J 37/0727; A47J 37/0786  
See application file for complete search history.

**FOREIGN PATENT DOCUMENTS**

AT 402850 B 9/1997  
CA 198803 \* 3/2022  
(Continued)

**OTHER PUBLICATIONS**

Camp Chef [online] URL: <https://www.campchef.com/pellet-grill-smoker-dlx.html?bvstate=pg:10/ct:q> (site visited: Nov. 20, 2021) (Year: 2018).\*

(Continued)

*Primary Examiner* — Jae Liang  
*Assistant Examiner* — Tia Ruth-Renee Polidori  
(74) *Attorney, Agent, or Firm* — GableGotwals; David G. Woodral

(57) **CLAIM**

The ornamental design for a mini pellet grill, as shown and described herein.

**DESCRIPTION**

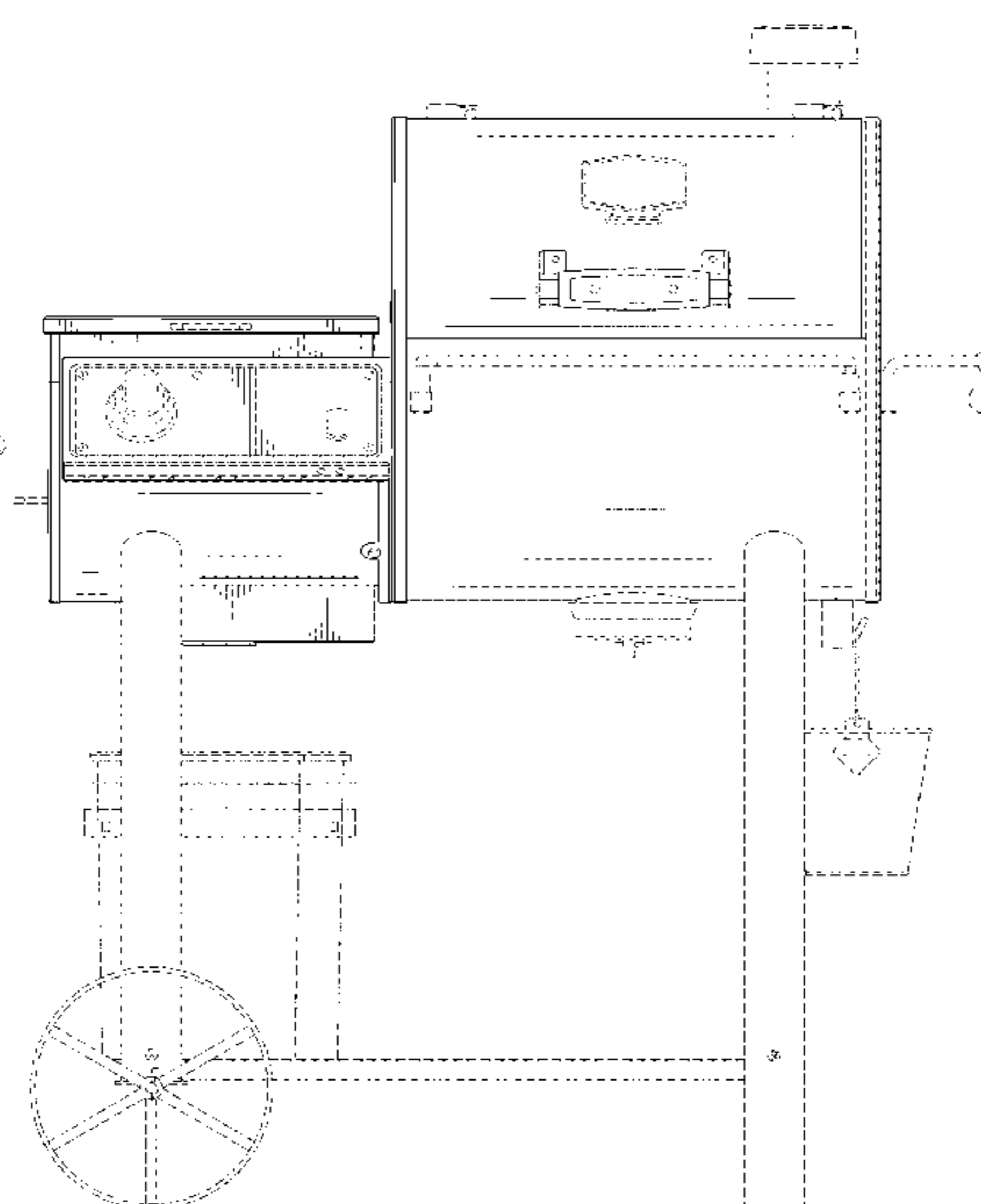
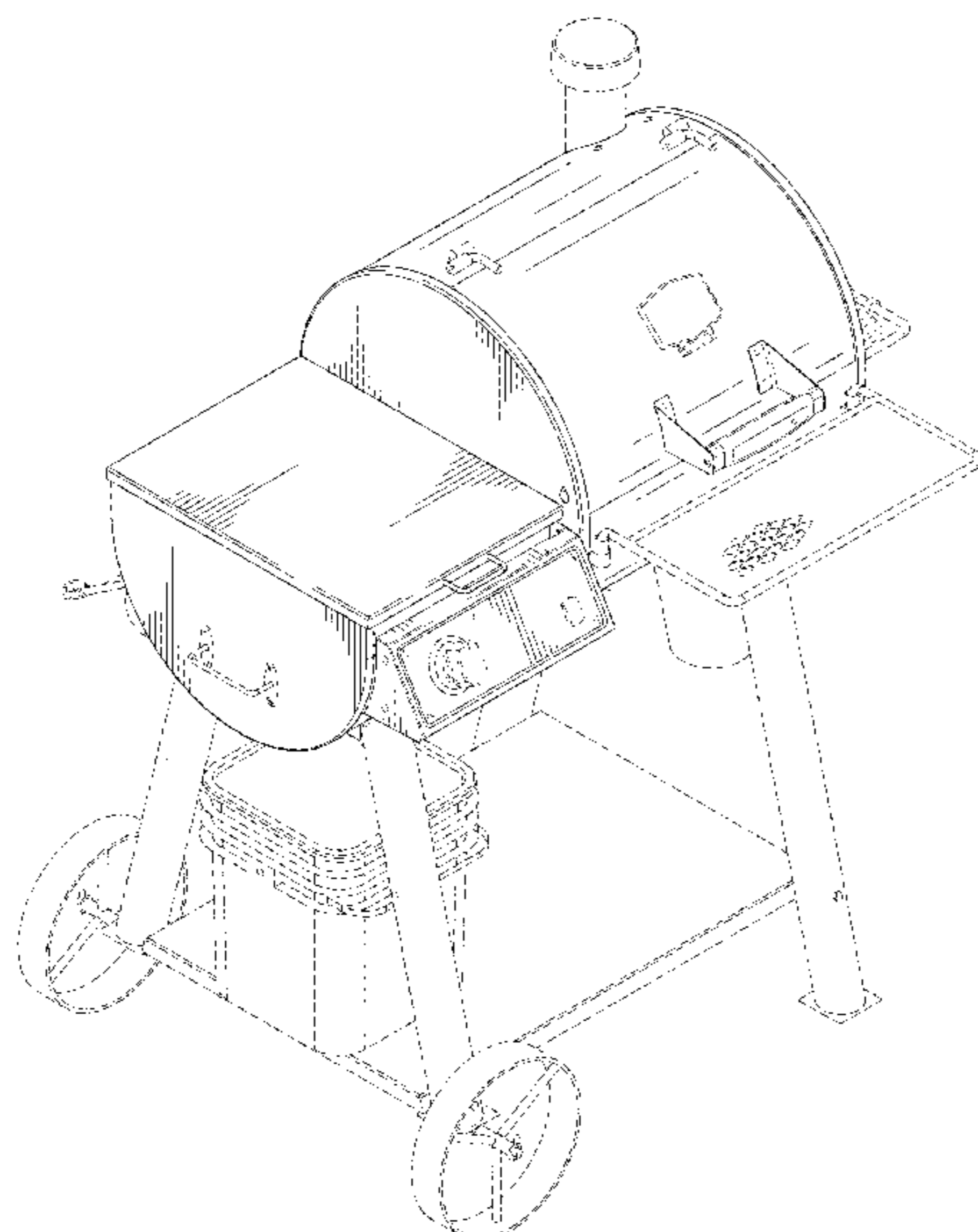
FIG. 1 is a front perspective view our new design for a mini pellet grill.  
FIG. 2 is a front elevation view thereof.  
FIG. 3 is a rear elevation view thereof.  
FIG. 4 is a right side elevation view thereof  
FIG. 5 is a left side elevation view thereof.  
FIG. 6 is a top plan view thereof; and,  
FIG. 7 is a bottom plan view thereof.  
The broken lines in the drawings depict portions of the mini pellet grill that form no part of the claimed design.

**1 Claim, 7 Drawing Sheets**

(56) **References Cited**

**U.S. PATENT DOCUMENTS**

D165,998 S \* 2/1952 Pollard ..... D7/334  
D179,345 S \* 12/1956 Henry et al. .... D7/334  
2,902,026 A \* 9/1959 Hathorn, Jr. .... A47J 37/0704  
126/25 R  
2,910,930 A 11/1959 Hankoff  
3,017,954 A 1/1962 Kruckewitt  
D196,553 S \* 10/1963 Mayer ..... D7/334  
3,623,422 A 11/1971 Marshall  
4,664,026 A \* 5/1987 Milloy ..... A47J 37/0704  
99/352





(56)

References Cited

U.S. PATENT DOCUMENTS

4,867,051	A *	9/1989	Schalk .....	A47J 37/042 99/443 C	2008/0085172	A1	4/2008	Harman et al.	
4,909,235	A	3/1990	Boetcker		2008/0098906	A1 *	5/2008	Davis .....	A23B 4/044 99/482
4,966,126	A	10/1990	Wu		2009/0056695	A1	3/2009	Cosgrove	
5,197,379	A	3/1993	Leonard, Jr.		2009/0293860	A1	12/2009	Carlson	
5,251,607	A	10/1993	Traeger et al.		2010/0218754	A1	9/2010	Kuntz	
5,429,110	A	7/1995	Burke et al.		2011/0073101	A1	3/2011	Lau et al.	
5,490,452	A	2/1996	Schlosser et al.		2011/0136066	A1	6/2011	Geselle et al.	
5,809,991	A	9/1998	Pai		2011/0275023	A1	11/2011	Knight	
D406,490	S *	3/1999	Daniels .....	D7/334	2013/0160757	A1	6/2013	Atemboski et al.	
D426,101	S *	6/2000	Pai .....	D7/334	2013/0298894	A1 *	11/2013	Kleinsasser .....	A47J 37/0704 126/25 R
6,125,836	A *	10/2000	Felton, Jr. ....	A47J 37/0704 126/25 A	2013/0327259	A1	12/2013	Freeman	
6,187,359	B1	2/2001	Zuccarini		2014/0326232	A1	11/2014	Traeger	
6,209,533	B1 *	4/2001	Ganard .....	A47J 37/0704 126/25 R	2014/0326233	A1	11/2014	Traeger	
6,223,737	B1 *	5/2001	Buckner .....	A47J 37/0704 126/25 R	2014/0373827	A1	12/2014	Zhu et al.	
6,314,955	B1	11/2001	Boetcker		2014/0377431	A1	12/2014	Kazerouni	
D491,410	S *	6/2004	Saunders .....	D7/334	2015/0079250	A1	3/2015	Ahmed	
7,360,639	B2	4/2008	Sprouse et al.		2015/0136109	A1	5/2015	Baker	
7,530,351	B2	5/2009	Leverly		2015/0136113	A1 *	5/2015	Polter .....	A47J 37/07 126/25 R
D623,013	S	9/2010	Alden et al.		2015/0144238	A1 *	5/2015	Traeger .....	A47J 37/0786 150/165
7,900,553	B1	3/2011	Maurin		2015/0182074	A1	7/2015	Bucher et al.	
7,984,709	B1	7/2011	Byrnes et al.		2015/0320259	A1	11/2015	Tucker	
8,267,078	B2	9/2012	Kuntz		2016/0174767	A1	6/2016	Schlosser et al.	
D681,394	S	5/2013	Parel et al.		2016/0245529	A1	8/2016	McClean	
8,651,018	B1	2/2014	Loud, III		2016/0255999	A1	9/2016	McAdams et al.	
D708,002	S *	7/2014	Cruccolini .....	D7/334	2016/0327263	A1	11/2016	Traeger	
8,899,145	B2	12/2014	Harrison et al.		2016/0341423	A1	11/2016	Johnson	
8,985,092	B2	3/2015	Ahmed		2017/0020336	A1 *	1/2017	Cole .....	A47J 37/0704
D738,155	S *	9/2015	Chung .....	D7/334	2017/0065124	A1 *	3/2017	Colston .....	A47J 37/067
9,186,020	B1 *	11/2015	Phillips .....	A47J 37/0709	2017/0067649	A1 *	3/2017	Colston .....	A47J 37/0704
D760,539	S *	7/2016	Colston .....	D7/402	2017/0164783	A1 *	6/2017	Sauerwein .....	A47J 37/0786
9,427,108	B2	8/2016	Ahmed		2017/0196400	A1 *	7/2017	Colston .....	A47J 37/0754
9,441,838	B2	9/2016	Baker		2017/0198917	A1	7/2017	Gillespie et al.	
D769,667	S *	10/2016	Ting .....	D7/332	2017/0219213	A1	8/2017	Measom et al.	
9,635,978	B2	5/2017	Measom et al.		2017/0289257	A1	10/2017	Colston	
9,759,429	B2	9/2017	Tucker		2017/0343218	A1	11/2017	Tucker	
9,814,354	B2	11/2017	McAdams et al.		2017/0370592	A1	12/2017	Bogazzi	
9,913,559	B2	3/2018	Polter et al.		2018/0028018	A1	2/2018	Barnett et al.	
D817,091	S	5/2018	Colston		2018/0098661	A1 *	4/2018	Dodds .....	A23B 4/0523
D820,023	S *	6/2018	Zhou .....	D7/334	2018/0168395	A1 *	6/2018	Colston .....	A47J 37/0754
D820,628	S *	6/2018	Zhou .....	D7/334	2018/0168397	A1 *	6/2018	Colston .....	A47J 36/38
D827,371	S *	9/2018	Colston .....	D7/408	2018/0192822	A1	7/2018	Cedar et al.	
10,077,904	B2	9/2018	Grant		2018/0213970	A1	8/2018	Colston	
D839,047	S *	1/2019	Colston .....	A47J 37/0704 D7/402	2018/0235401	A1 *	8/2018	Johnston .....	A47J 37/0786
10,201,247	B1	2/2019	Jones		2018/0296031	A1 *	10/2018	Terrell, Jr. ....	A47J 37/0704
10,292,531	B1 *	5/2019	Hancock .....	A23B 4/0523	2018/0317707	A1	11/2018	Dahle	
10,495,317	B1 *	12/2019	Hancock .....	F24C 11/00	2018/0368617	A1	12/2018	Allmendinger	
D871,821	S *	1/2020	Boltz .....	D7/334	2018/0368618	A1 *	12/2018	Measom .....	A23B 4/052
D896,561	S *	9/2020	Measom .....	D7/334	2019/0008321	A1	1/2019	Allmendinger	
10,806,301	B2 *	10/2020	Hancock .....	A47J 37/0713	2019/0277507	A1 *	9/2019	Colston .....	A47J 37/0786
D901,244	S	11/2020	Baker et al.		2019/0282032	A1 *	9/2019	Colston .....	A47J 36/2477
D907,424	S	1/2021	Measom et al.		2019/0290064	A1	9/2019	Colston et al.	
D914,428	S *	3/2021	Bennion .....	D7/334	2019/0290066	A1	9/2019	Colston	
D915,138	S	4/2021	Bennion et al.		2019/0290069	A1 *	9/2019	Colston .....	A47J 37/0786
D915,139	S *	4/2021	Bennion .....	D7/402	2019/0293295	A1 *	9/2019	Colston .....	F24B 1/16
D915,812	S *	4/2021	Bennion .....	D7/334	2019/0313848	A1 *	10/2019	Sanchez .....	A47J 37/0786
D915,824	S *	4/2021	Bennion .....	D7/402	2019/0365152	A1	12/2019	Dahle et al.	
D920,740	S *	6/2021	Bennion .....	D7/402	2019/0374065	A1 *	12/2019	Hancock .....	A47J 37/0704
D921,413	S *	6/2021	Fitzpatrick .....	D7/334	2019/0387924	A1	12/2019	Zheng	
D927,917	S *	8/2021	Yueh .....	D7/334	2020/0040926	A1 *	2/2020	Colston .....	F16B 12/52
D935,840	S	11/2021	Carter et al.		2020/0116349	A1 *	4/2020	Rahmani .....	F24B 1/024
11,162,684	B2 *	11/2021	Colston .....	F24B 1/199	2020/0158337	A1 *	5/2020	Baker .....	F23B 40/08
2004/0226550	A1	11/2004	Hutton et al.		2020/0170448	A1 *	6/2020	Baker .....	A47J 37/0786
2004/0237801	A1 *	12/2004	Starkey .....	F24B 1/202 99/482	2020/0214501	A1 *	7/2020	Gafford .....	A23B 4/052
2005/0126556	A1	6/2005	Bossler		2020/0281402	A1 *	9/2020	Witzel .....	A47J 37/0704
2005/0155498	A1 *	7/2005	Killion .....	A47J 37/0704 99/482	2020/0305642	A1 *	10/2020	Hancock .....	F24C 1/04
2005/0217659	A1 *	10/2005	McClenahan .....	F24B 1/202 126/25 R	2020/0333011	A1	10/2020	Ahmed et al.	
					2020/0370752	A1 *	11/2020	Ahmed .....	F24B 13/04
					2021/0177200	A1 *	6/2021	James .....	A47J 37/0704
					2021/0180793	A1 *	6/2021	James .....	A47J 37/0704
					2021/0267413	A1 *	9/2021	Roberts .....	F24B 13/04
					2021/0298333	A1	9/2021	Strong et al.	
					2021/0341144	A1 *	11/2021	Parsons .....	A47J 37/0704

(56)

References Cited

U.S. PATENT DOCUMENTS

2021/0352923 A1\* 11/2021 Li ..... A23B 4/052  
 2021/0356130 A1\* 11/2021 Li ..... F24B 1/024

FOREIGN PATENT DOCUMENTS

CA	198804	*	3/2022
CA	191354	*	4/2022
CN	103989414 B		5/2016
CN	306538358	*	5/2021
DE	4020171009570011 S		6/2018
EM	001963703-0001	*	1/2012
EM	007666714-0006	*	2/2020
EM	007974985-0013	*	6/2020
EM	008203806-0001	*	12/2020
IL	58273	*	3/2018
WO	2013116946 A1		8/2013
WO	WOD087576-001	*	12/2015
WO	WOD090098-001	*	9/2016
WO	2017044598 A1		3/2017
WO	2017064528 A1		4/2017
WO	2018125681 A1		7/2018
WO	2018208919 A1		11/2018

OTHER PUBLICATIONS

Rider [online] URL: <https://web.archive.org/web/20200516125729/https://www.oklahomajoes.com/rider-600-pellet-grill-20202114> (site visited: Nov. 20, 2021) (Year: 2020).\*

Rider 900 Pellet Grill [online] URL: <https://www.youtube.com/watch?v=3gB0TUUe22k&t=17s> (site visited: May 5, 2022) (Year: 2020).\*

May 7, 2020, Publisher: International Search Report issued by the ISA/US for PCT/US2020/020487 dated May 7, 2020.

Rider 900 Pellet Grill—Product Walkthrough, first available Feb. 19, 2020, YouTube, [online], [site visited Nov. 10, 2022], Available from internet URL: <https://www.youtube.com/watch?v=3gB0TUUe22k> (Year: 2020).

Char-Broil\_ W.C. Bradley Co, W.C. Bradley, [online], [site visited Nov. 10, 2022], Available from internet URL: <https://www.wcbradley.com/divisions/char-broil> (Year: 2022).

Rider 900 Pellet Grill, Oklahoma Joes, [online], [site visited Nov. 10, 2022], Available from internet URL: <https://www.oklahomajoes.com/rider-900-pellet-grill> (Year: 2022).

\* cited by examiner



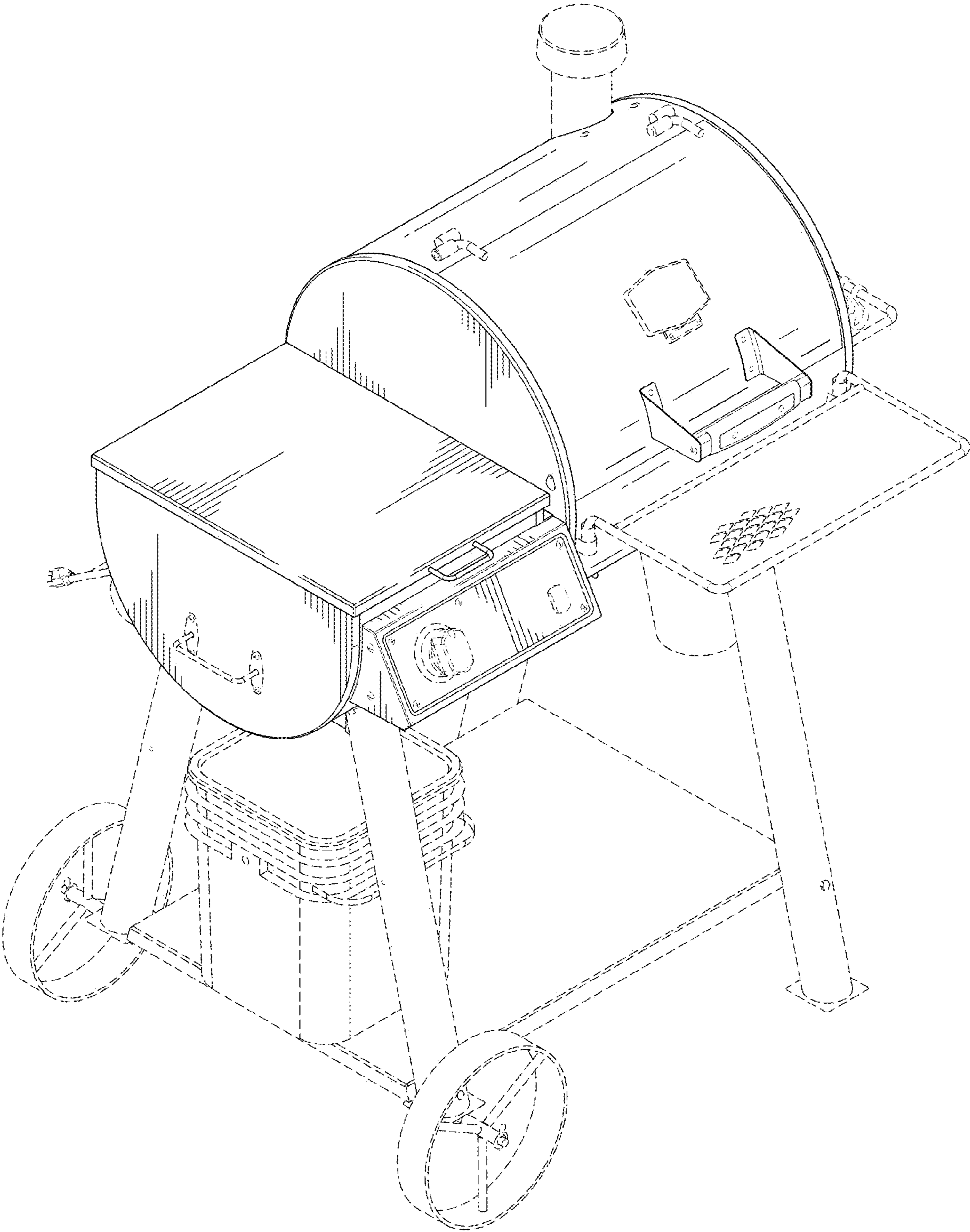


FIG. 1

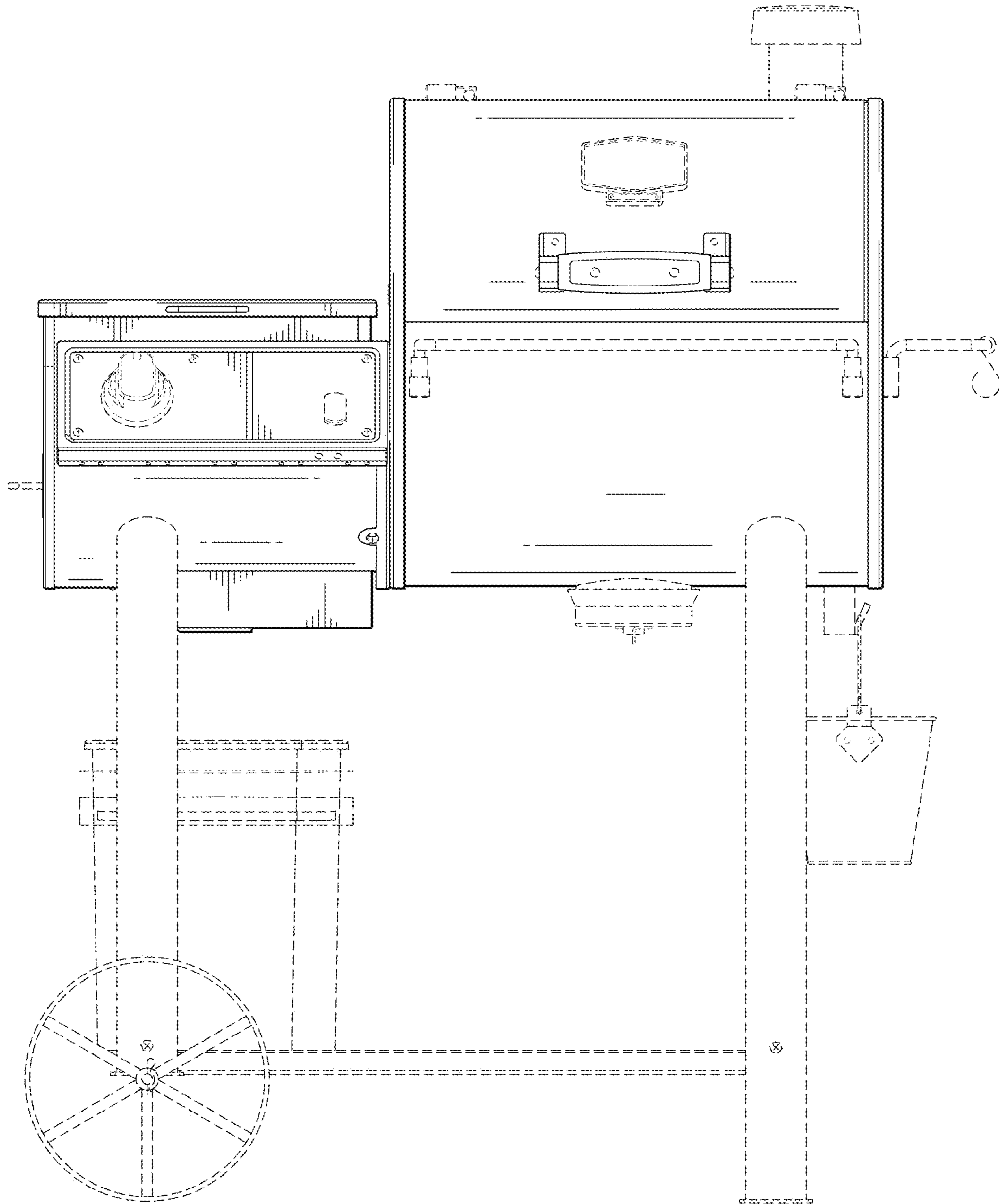


FIG. 2

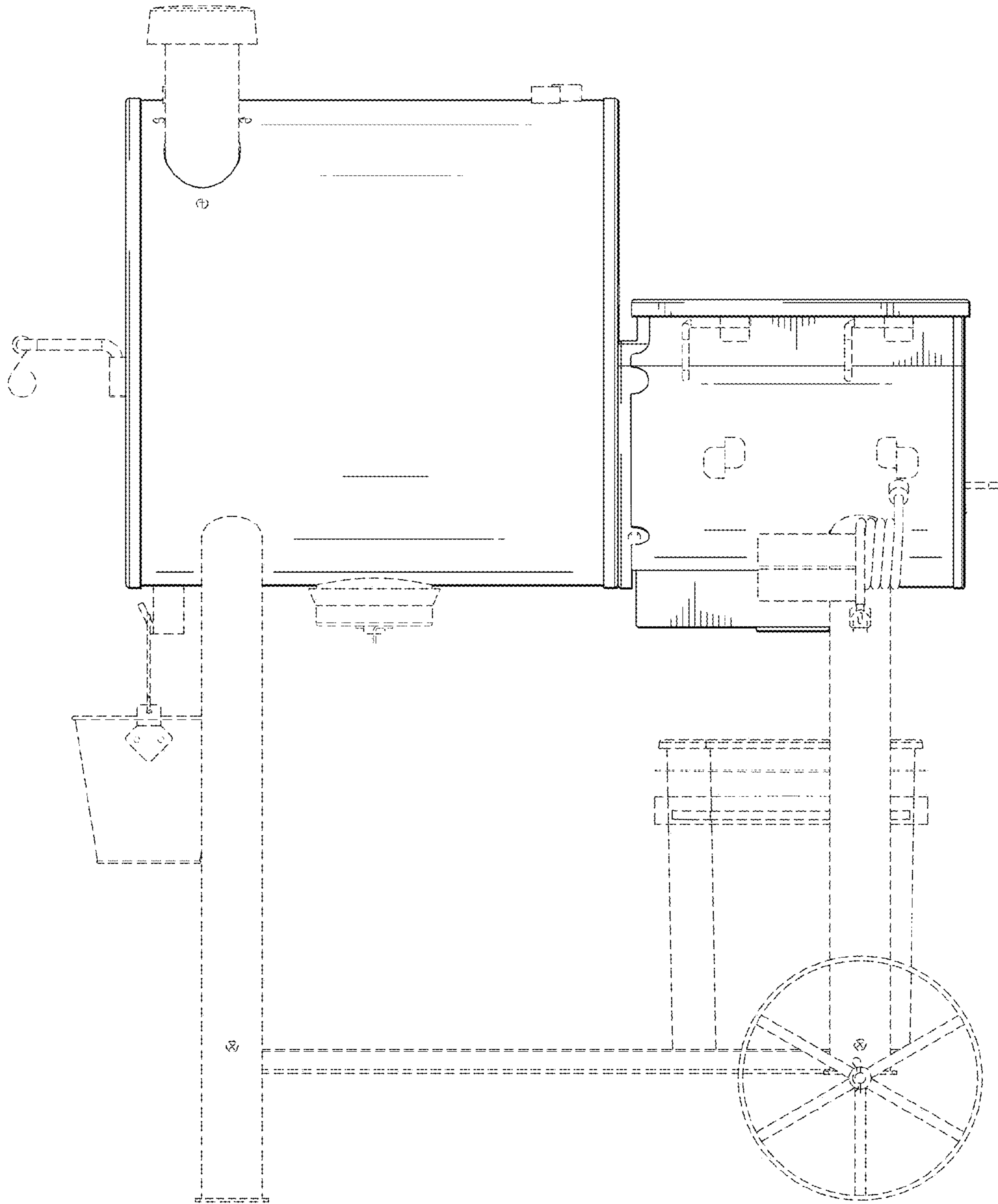


FIG. 3

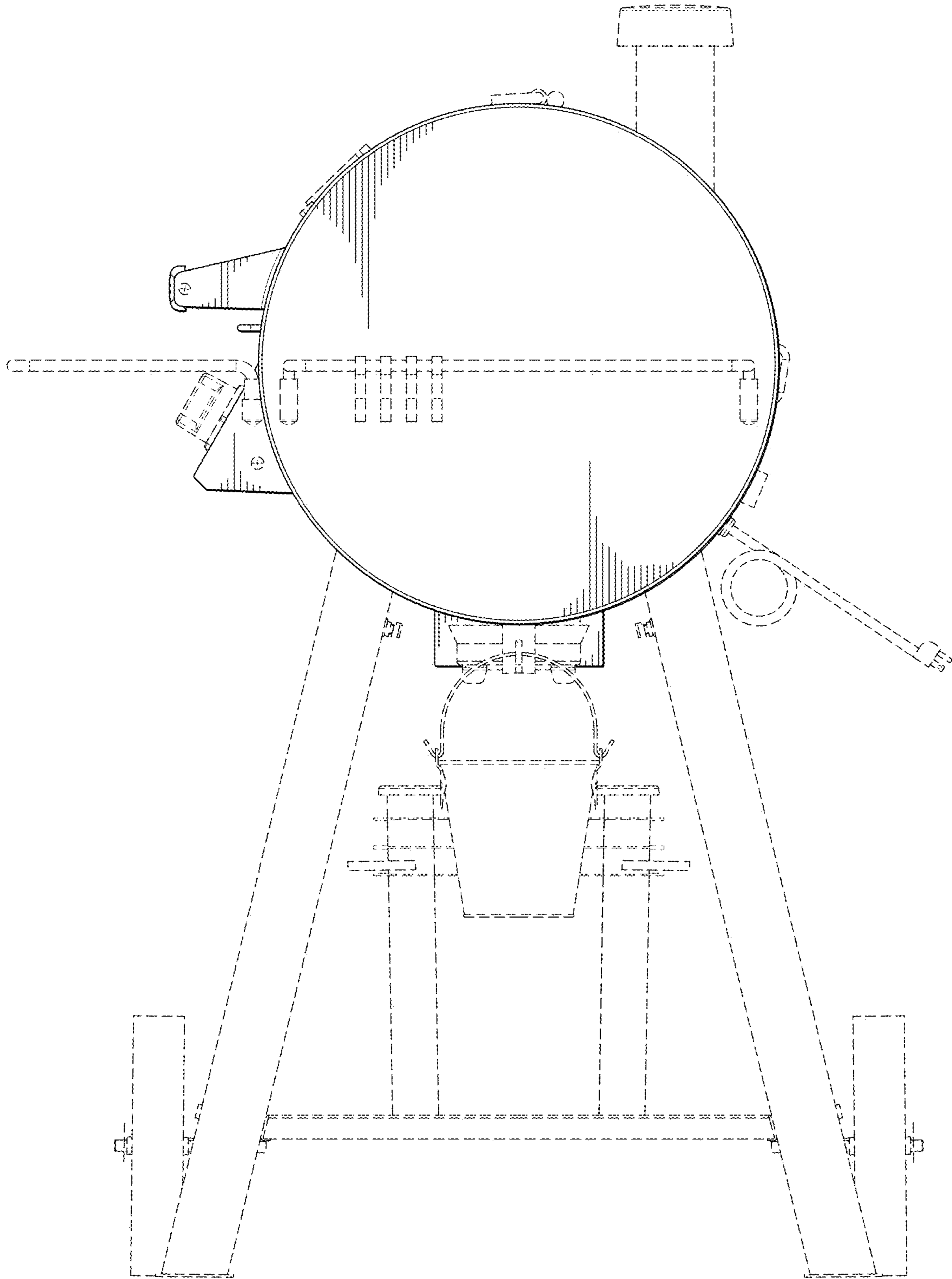


FIG. 4

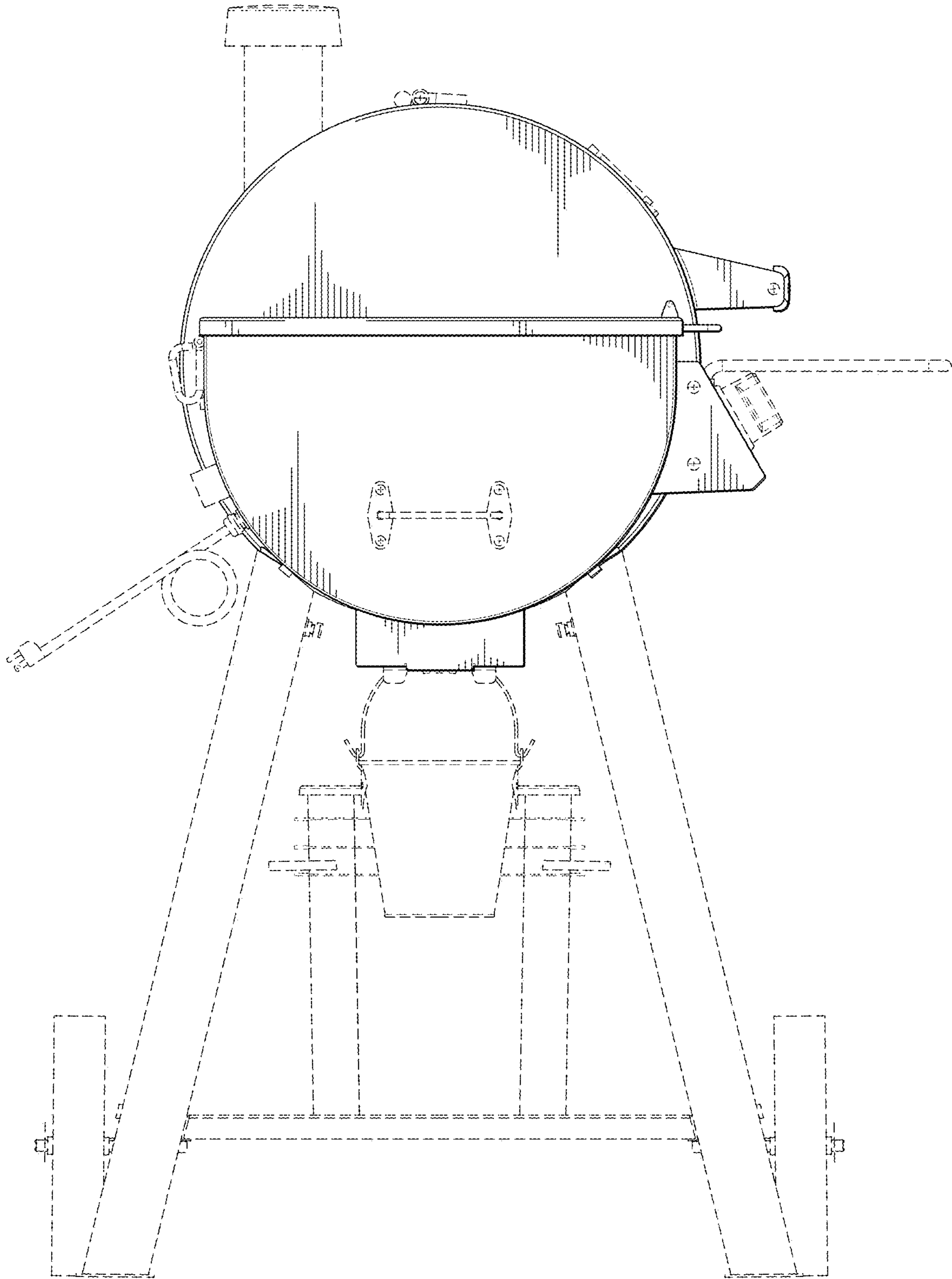


FIG. 5



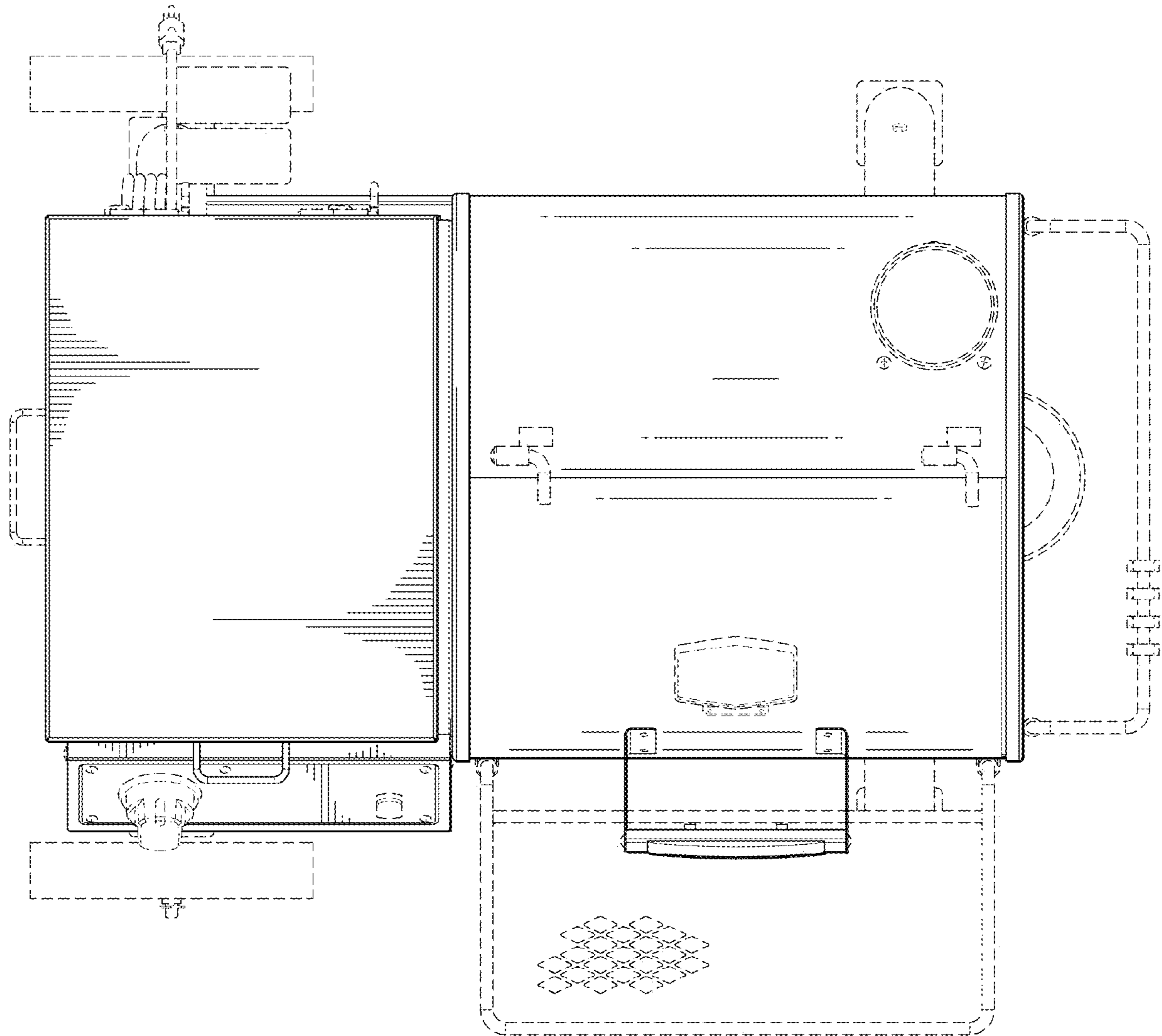


FIG. 6

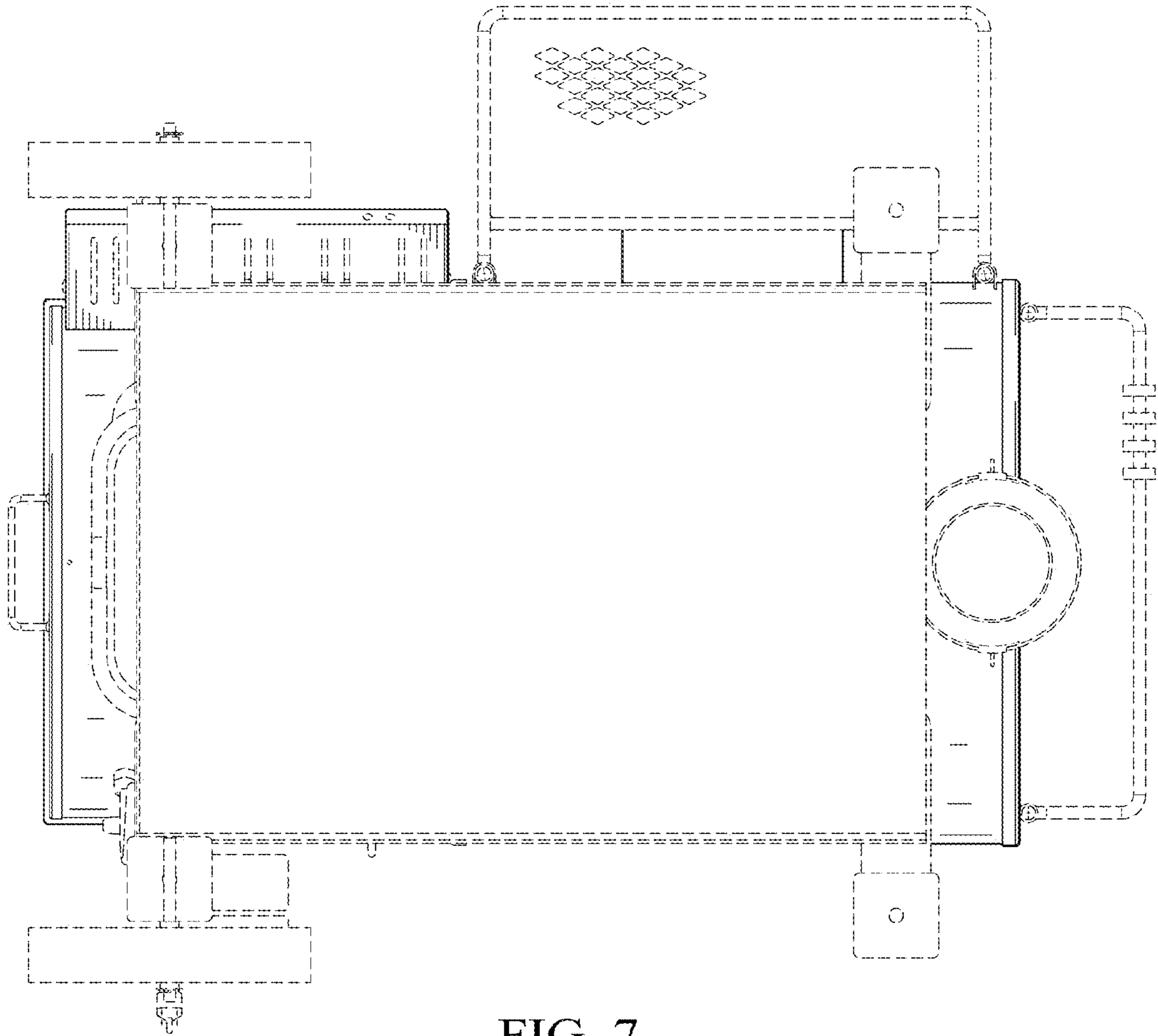


FIG. 7