



US00D982372S

(12) **United States Design Patent**
Park

(10) **Patent No.:** **US D982,372 S**

(45) **Date of Patent:** **** Apr. 4, 2023**

(54) **COOKING STOVE**

(71) Applicant: **IKAMPER CO., LTD.**, Paju-si (KR)

(72) Inventor: **Soongyu Park**, Paju-si (KR)

(**) Term: **15 Years**

(21) Appl. No.: **35/513,586**

(22) Filed: **Aug. 5, 2021**

(80) **Hague Agreement Data**

Int. Filing Date: **Aug. 5, 2021**

Int. Reg. No.: **DM/216423**

Int. Reg. Date: **Aug. 5, 2021**

Int. Reg. Pub. Date: **Feb. 11, 2022**

(30) **Foreign Application Priority Data**

Mar. 25, 2021 (KR) 30-2021-0014445

(51) **LOC (14) Cl.** **07-02**

(52) **U.S. Cl.**

USPC **D7/332**; D7/334; D7/339

(58) **Field of Classification Search**

USPC D7/323, 328-330, 339-349, 390,
D7/402-406; D8/300-306

CPC ... A21B 2/00; A47J 33/00; A47J 37/00; A47J
37/06; A47J 37/0611; A47J 37/0704;
A47J 37/0763; A47J 37/0786; A47J
37/08; A47J 37/0807; A47J 37/0814;
A47J 37/0835; A47J 37/0842; A47J
37/085; A47J 37/0864; A47J 37/0878;
A47J 37/0885; A47J 37/0892; F24B
1/022; F24B 1/205; F24C 7/00; F24C
7/002; F24C 7/046; F24C 7/067; F24C
15/02; F24C 15/04; F24C 15/10; F24C
15/102

See application file for complete search history.

(56) **References Cited**

U.S. PATENT DOCUMENTS

2,473,658 A * 6/1949 Milligan A47J 37/0763
248/150

4,726,349 A * 2/1988 Gehrke A47J 37/0763
126/25 B

4,762,114 A * 8/1988 Blankemeyer A47J 37/0763
126/25 R
6,189,528 B1 * 2/2001 Oliver A47J 37/0704
126/39 R
6,711,993 B2 * 3/2004 Robertson A47J 33/00
126/30
7,063,006 B1 * 6/2006 Spehle F24B 1/205
126/30
11,141,020 B2 * 10/2021 Eno A47J 37/0786
2014/0366863 A1 * 12/2014 Coffman F24B 1/022
126/25 R

OTHER PUBLICATIONS

Wadeo Camping Gas Stove. Date First Available on Amazon.com
Oct. 15, 2021. <https://www.amazon.com/dp/B09JJNCHWL/ref> (Year:
2021).*

* cited by examiner

Primary Examiner — Ricky Pham

(74) *Attorney, Agent, or Firm* — Revolution IP, PLLC

(57) **CLAIM**

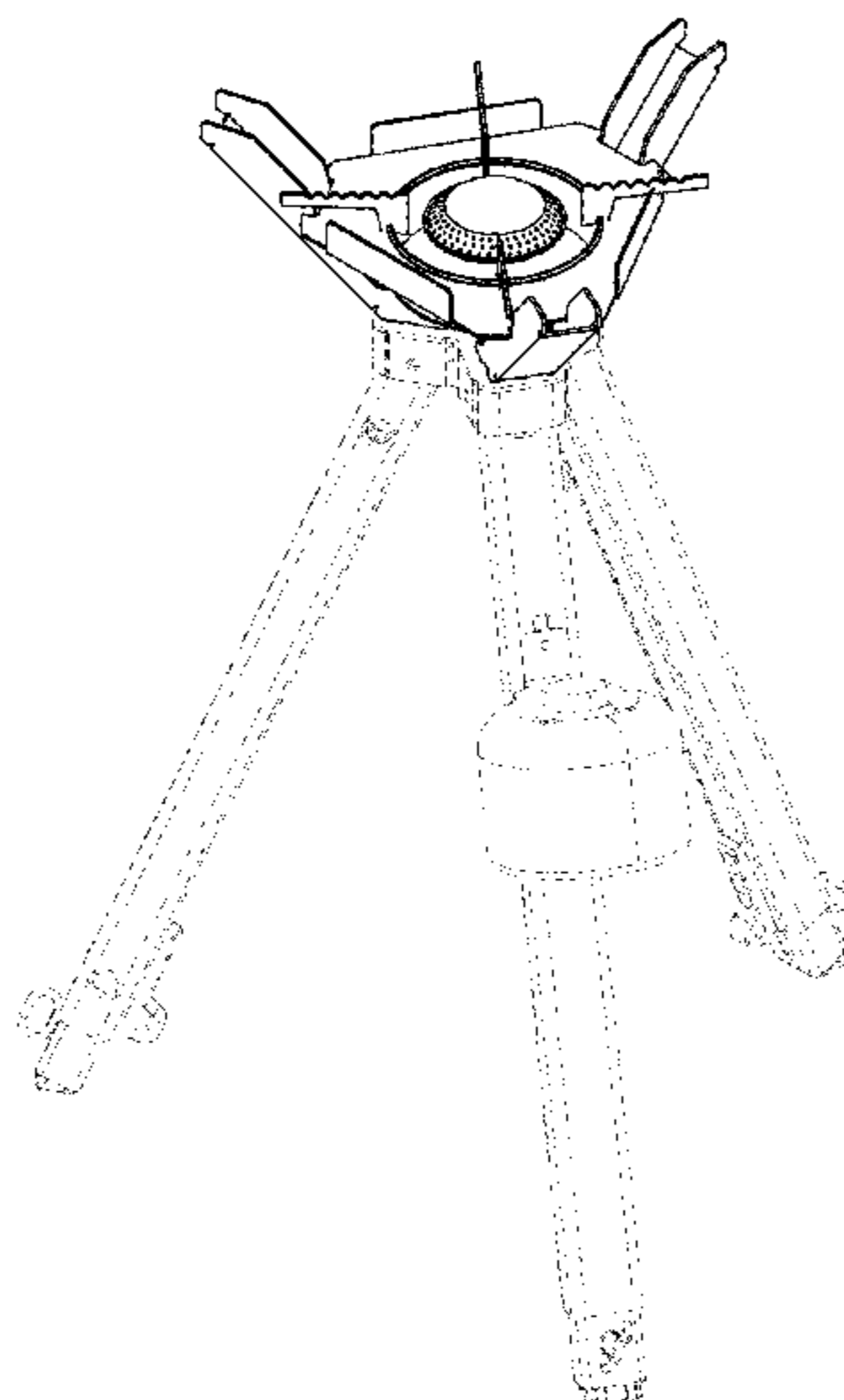
The ornamental design for a cooking stove, as shown and
described.

DESCRIPTION

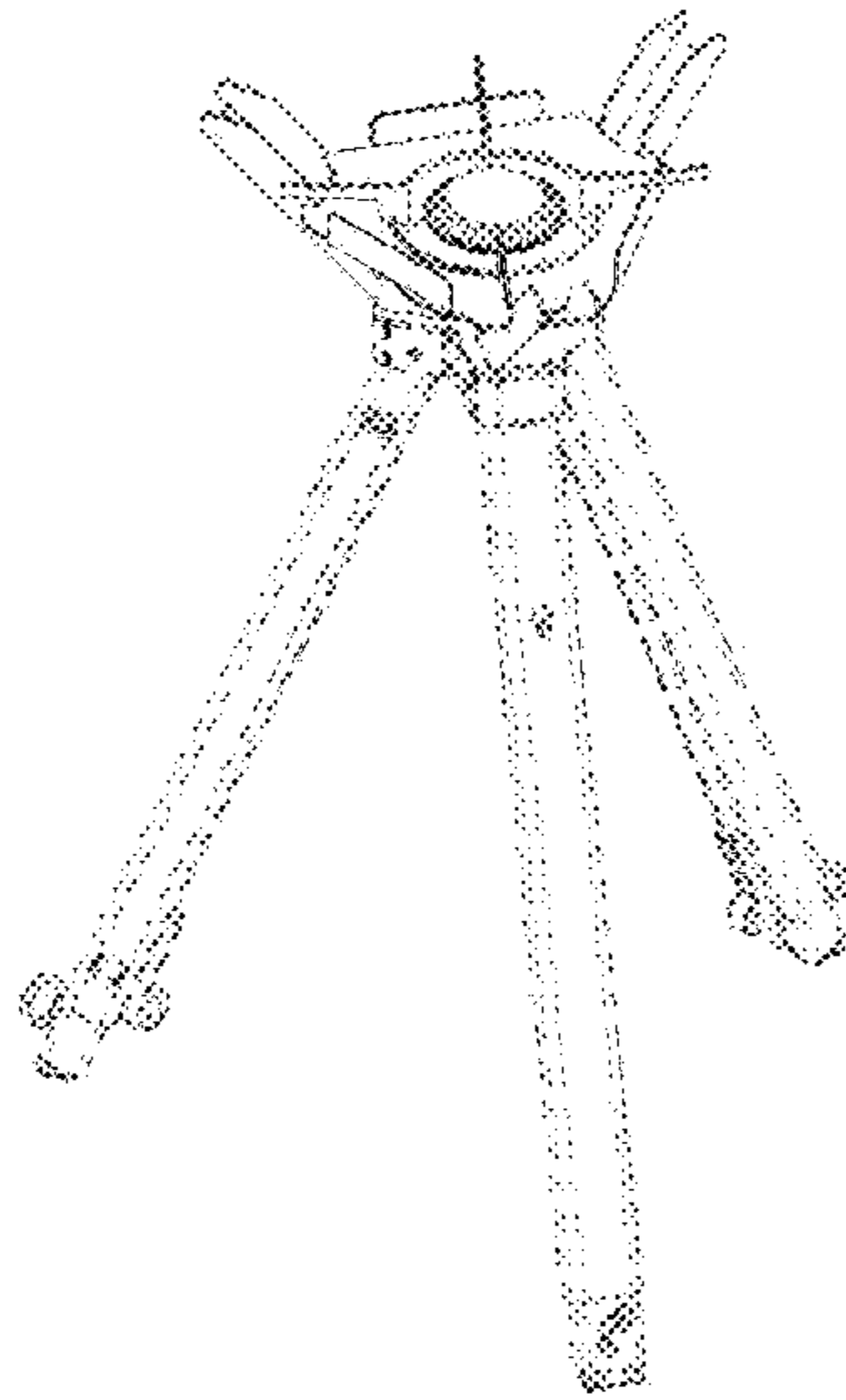
- 1. Cooking stove
- 1.1 : Perspective
- 1.2 : Front
- 1.3 : Back
- 1.4 : Left
- 1.5 : Right
- 1.6 : Top
- 1.7 : Bottom
- 1.8 : Reference
- 1.9 : Reference

The broken lines shown in Figures 1.1-1.9 are for the
purpose of illustrating environment and form no part of the
claimed design.

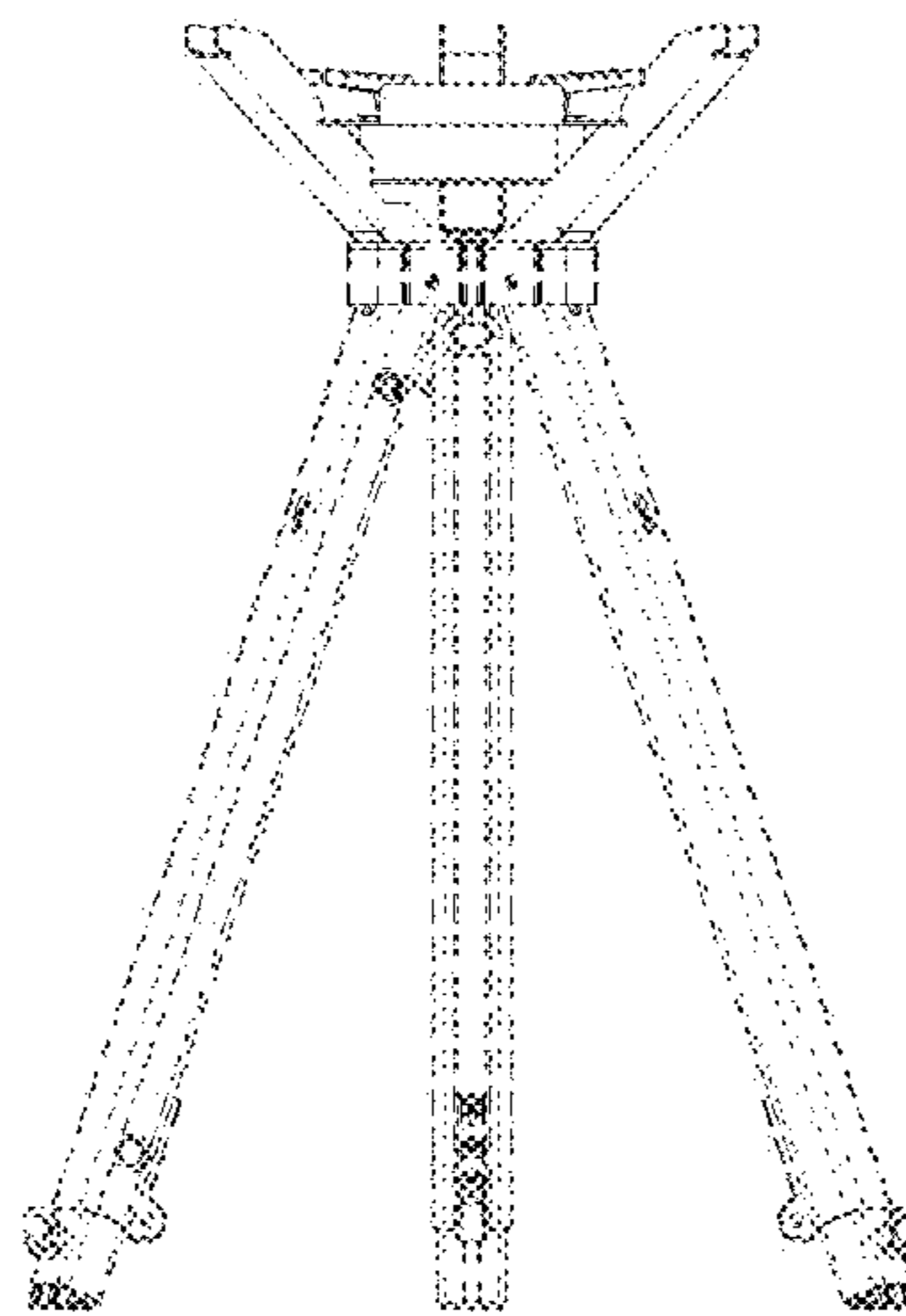
1 Claim, 9 Drawing Sheets



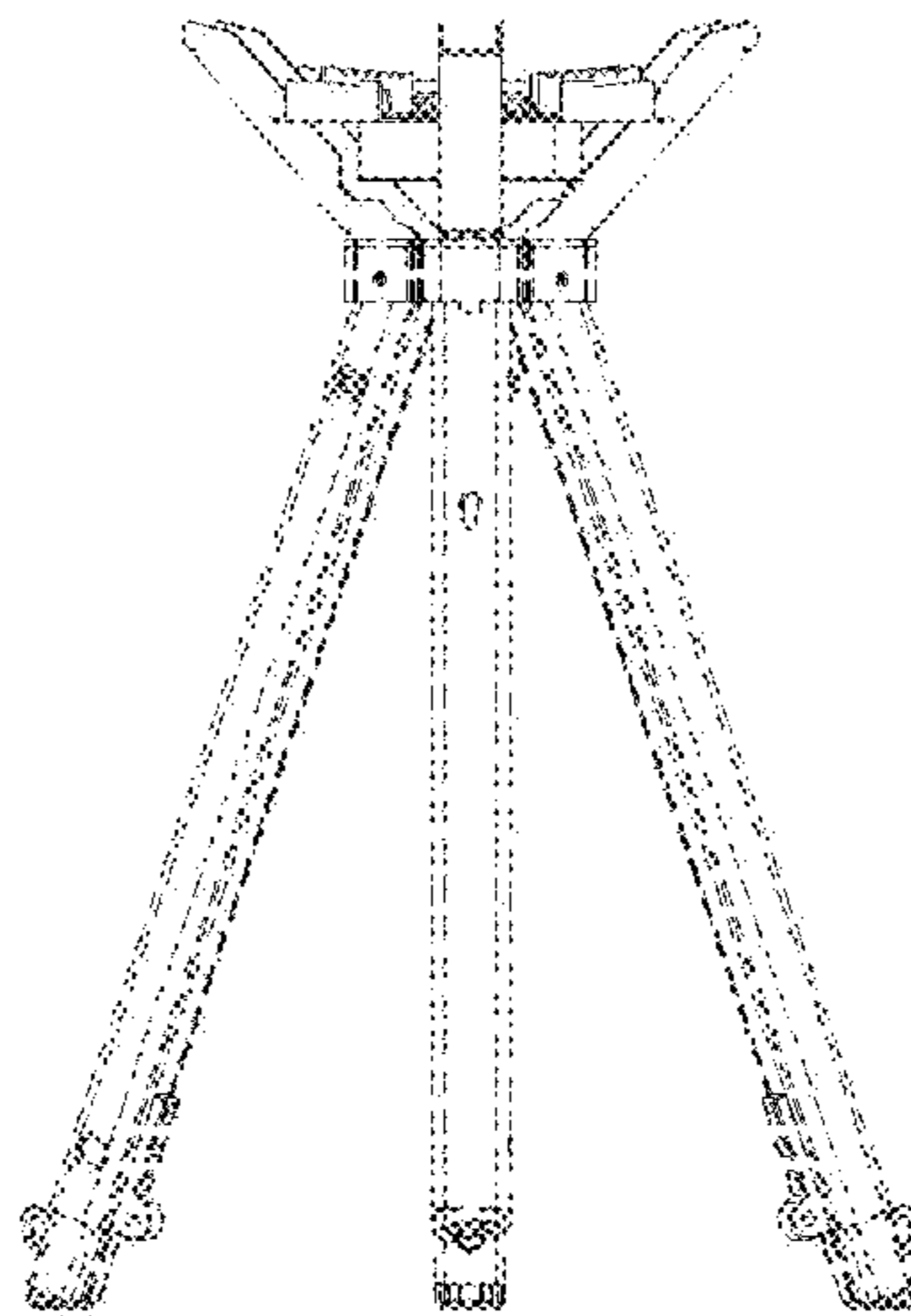
1.1



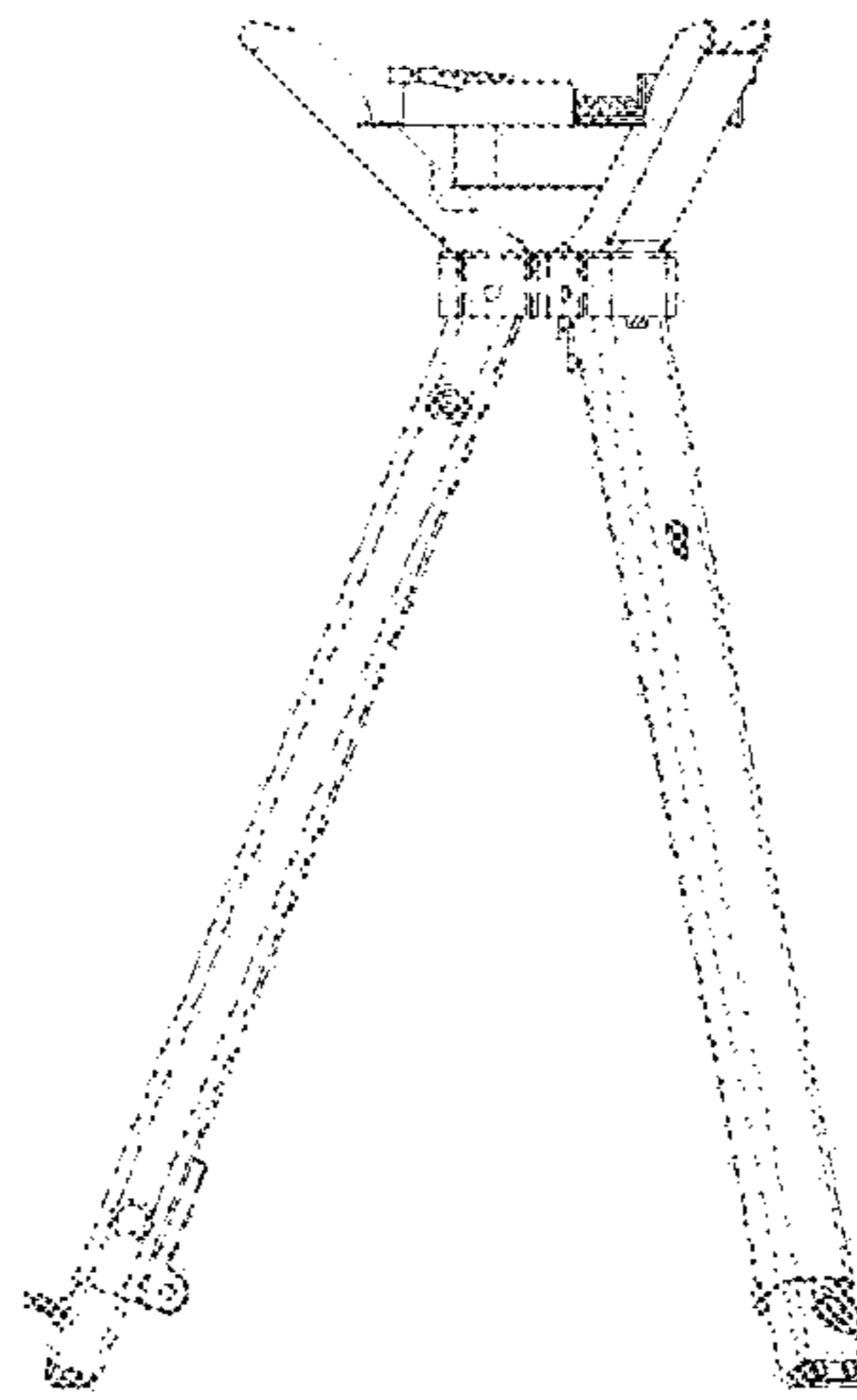
1.2



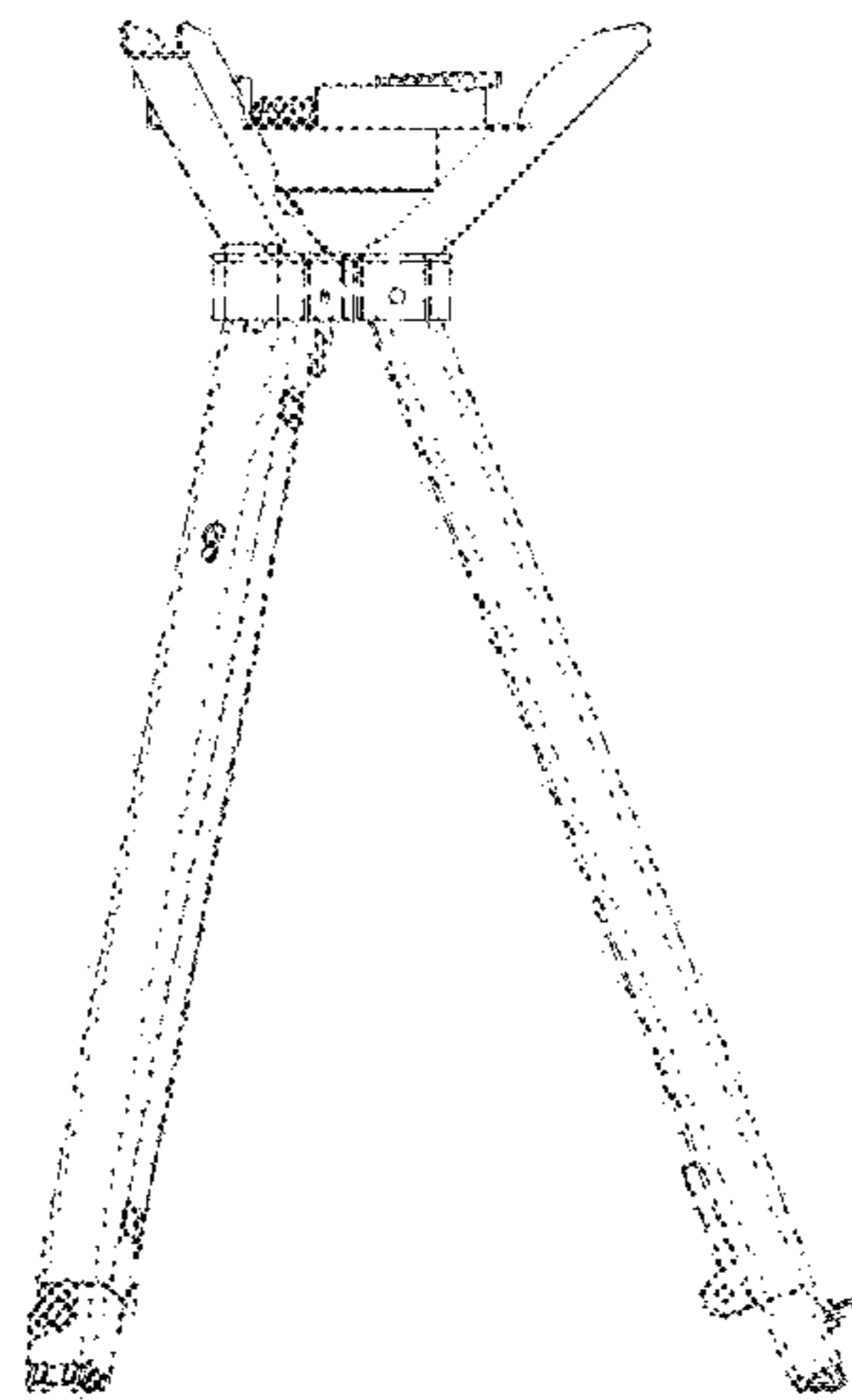
1.3



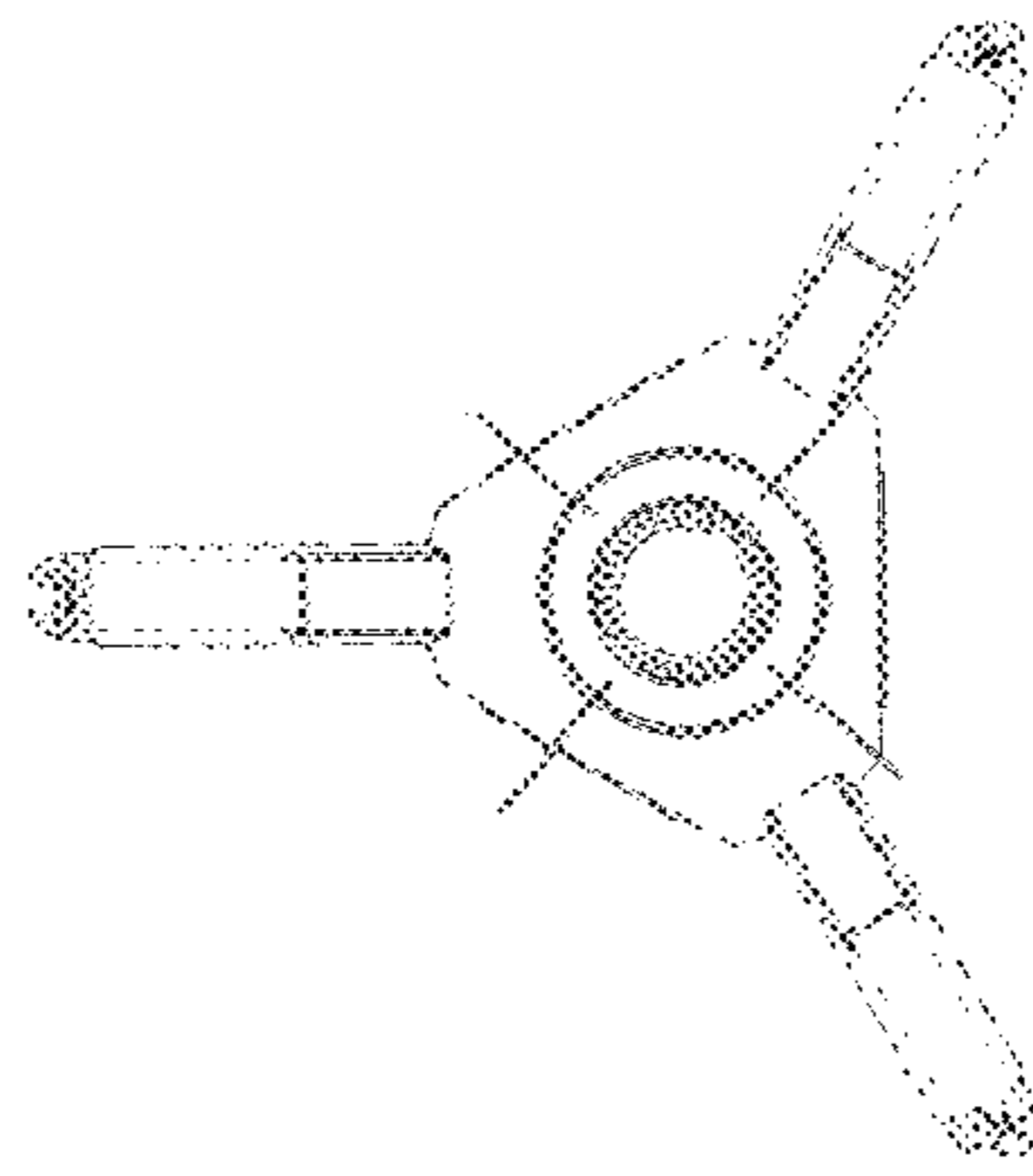
1.4



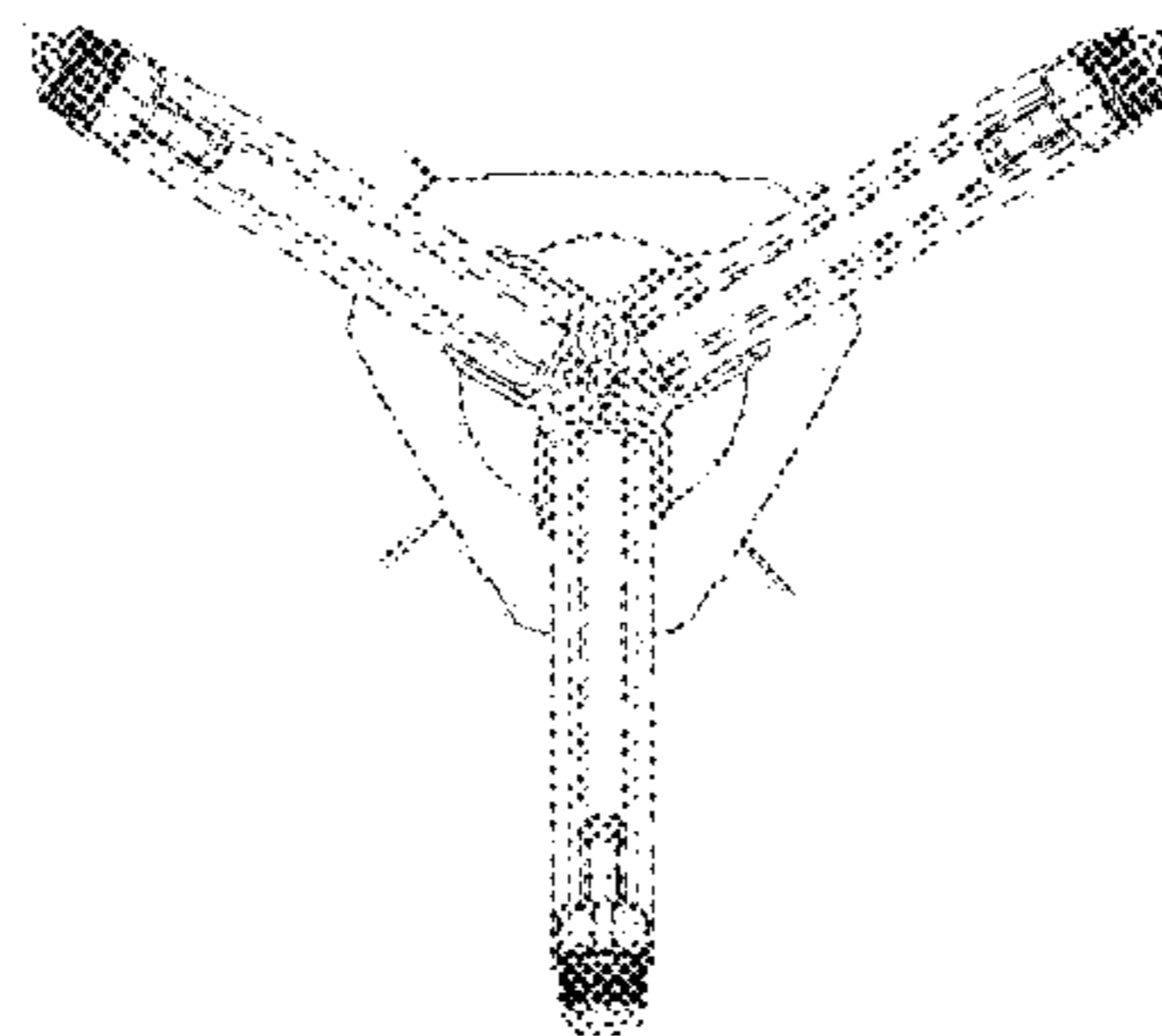
1.5



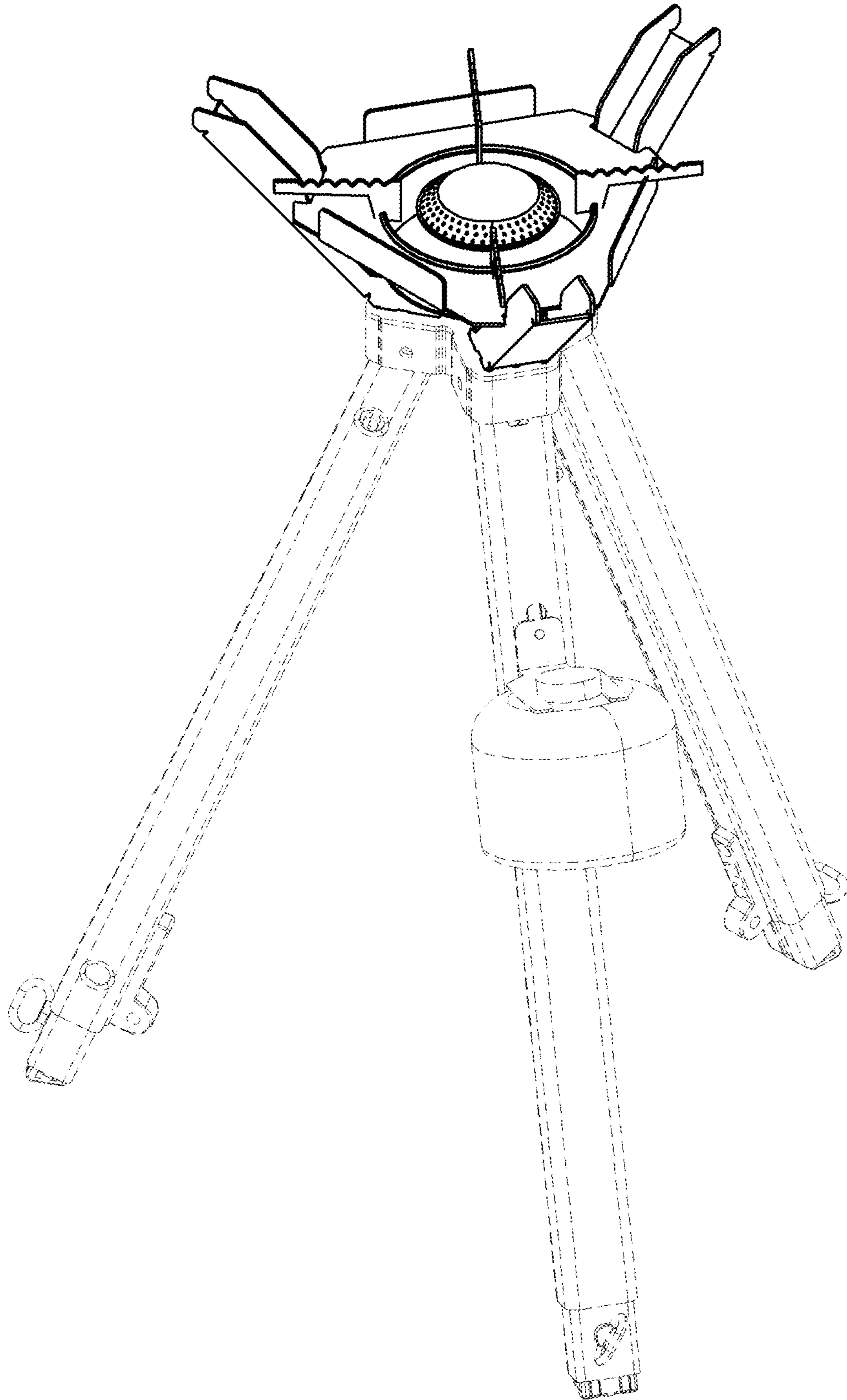
1.6



1.7



1.8



1.9

