



US00D982371S

(12) **United States Design Patent**
Liang

(10) **Patent No.:** **US D982,371 S**

(45) **Date of Patent:** **** Apr. 4, 2023**

(54) **BOTTLE WARMER**

(71) Applicant: **Shenzhen Lute Jiacheng Supply Chain Management Co., Ltd.**,
Guangdong (CN)

(72) Inventor: **Xuwei Liang**, Guangdong (CN)

(73) Assignee: **Shenzhen Lute Jiacheng Supply Chain Management Co., Ltd.**,
Shenzhen (CN)

(**) Term: **15 Years**

(21) Appl. No.: **29/856,940**

(22) Filed: **Oct. 18, 2022**

(51) **LOC (14) Cl.** **07-02**

(52) **U.S. Cl.**
USPC **D7/326; D7/323**

(58) **Field of Classification Search**
USPC D7/323, 326-327, 368, 386, 533, 536,
D7/601, 602, 605
CPC A01J 9/08; A23L 3/10; A47J 27/04; A47J
27/004; A47J 27/06; A47J 36/24; A47J
36/2411; A47J 36/2416; A47J 36/2433;
A47J 36/2438; A47J 39/00; A47J 39/006;
A47J 41/00; F21V 33/00; H05B 3/0004
See application file for complete search history.

(56) **References Cited**

U.S. PATENT DOCUMENTS

D448,236 S * 9/2001 Murray D7/386
6,444,956 B1 * 9/2002 Witcher F21V 33/00
219/386
6,861,618 B2 * 3/2005 Binet A47J 27/06
219/401
8,045,848 B2 * 10/2011 Wortley A47J 36/2438
392/444
D679,935 S * 4/2013 Tse D7/326

D716,096 S 10/2014 Krooshof
D784,071 S * 4/2017 Davies D7/378
D815,486 S * 4/2018 Suess D7/378
D842,020 S 3/2019 Augustyn
D864,655 S * 10/2019 Brook D7/378
D897,752 S * 10/2020 Zhang D7/378
2012/0061376 A1 * 3/2012 McBean A47J 36/2438
219/430

OTHER PUBLICATIONS

Bellababy Fast Baby Bottle Warmer. Date reviewed on Amazon.com Apr. 10, 2022. <https://www.amazon.com/Bellababy-Defrost-Breastmilk-Formula-quickly/dp/B09PHDKZSW/ref> (Year: 2022).*
Momcozy Smart Baby Bottle Warmer. Date reviewed on Amazon.com Sep. 6, 2022. <https://www.amazon.com/Momcozy-Countdown-Function-Temperature-Breastmilk/dp/B0B97M3PX2/ref> (Year: 2022).*

* cited by examiner

Primary Examiner — Ricky Pham

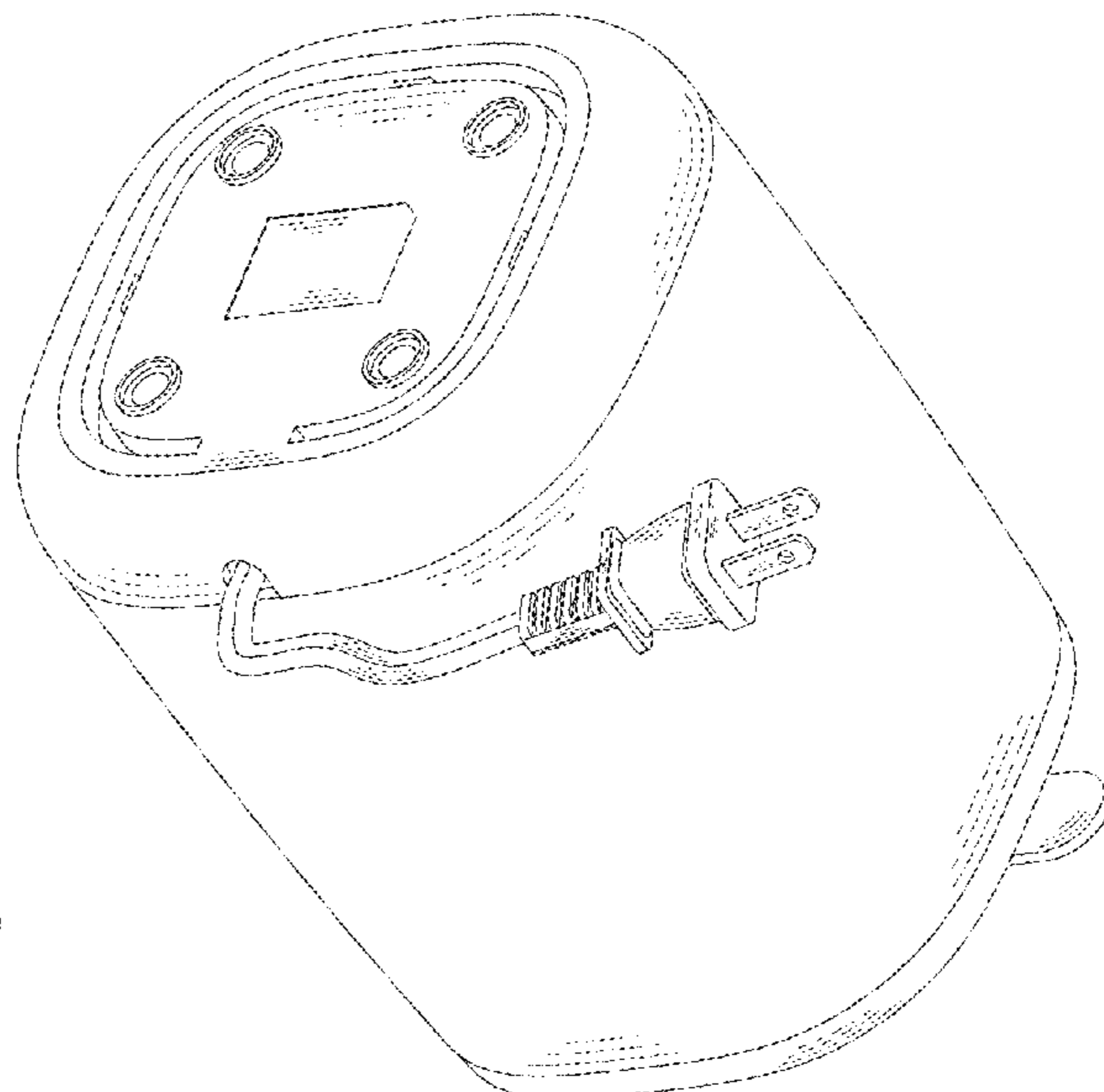
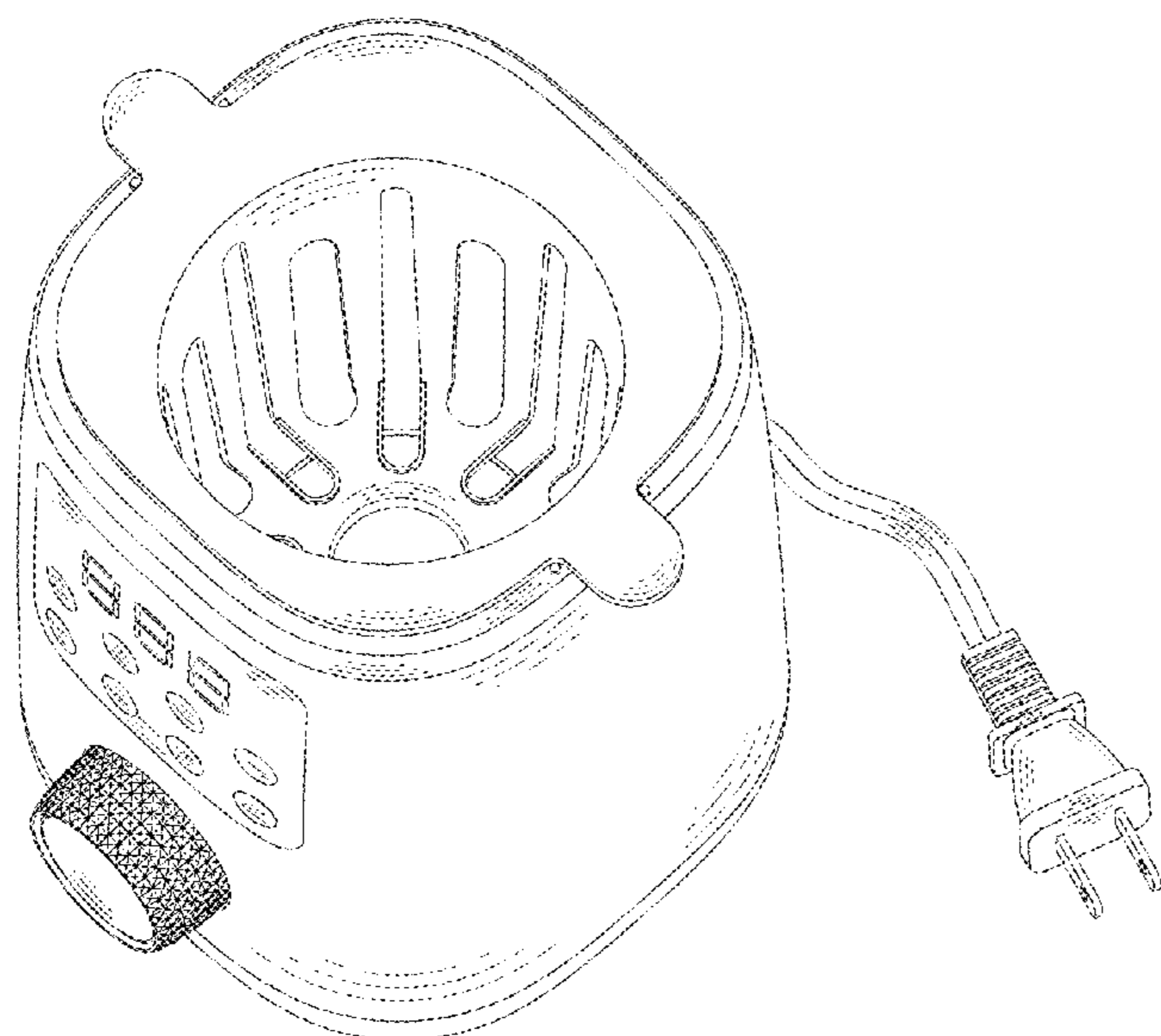
(57) **CLAIM**

The ornamental design for a bottle warmer, as shown and described.

DESCRIPTION

FIG. 1 is a top, right and front side perspective view of a bottle warmer, showing my new design;
FIG. 2 is bottom, right and back side perspective view thereof;
FIG. 3 is a front elevational view thereof;
FIG. 4 is a back elevational view thereof;
FIG. 5 is a left side elevational view thereof;
FIG. 6 is a right side elevational view thereof;
FIG. 7 is a top plan view thereof; and,
FIG. 8 is a bottom plan view thereof.

1 Claim, 8 Drawing Sheets



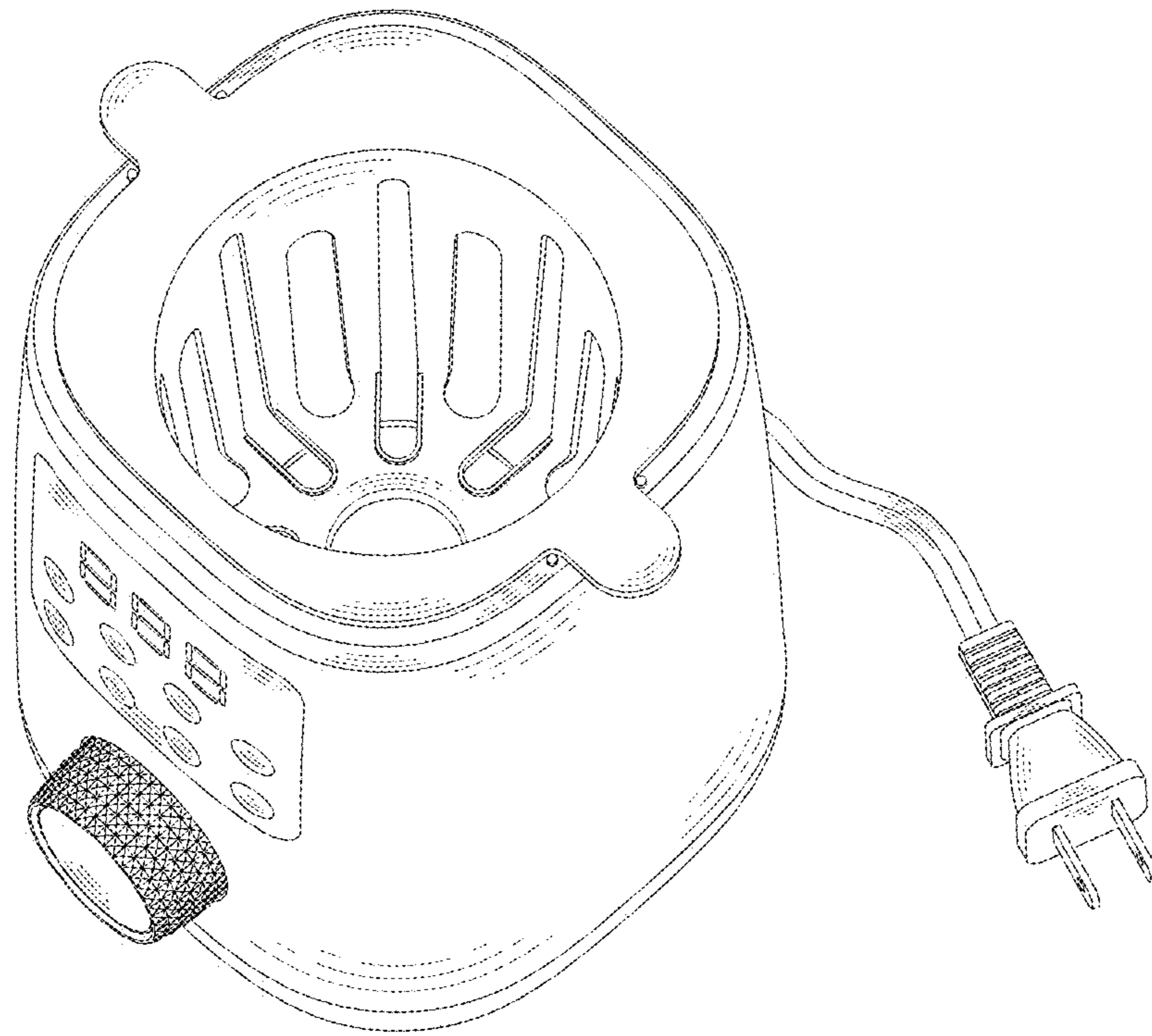


FIG. 1

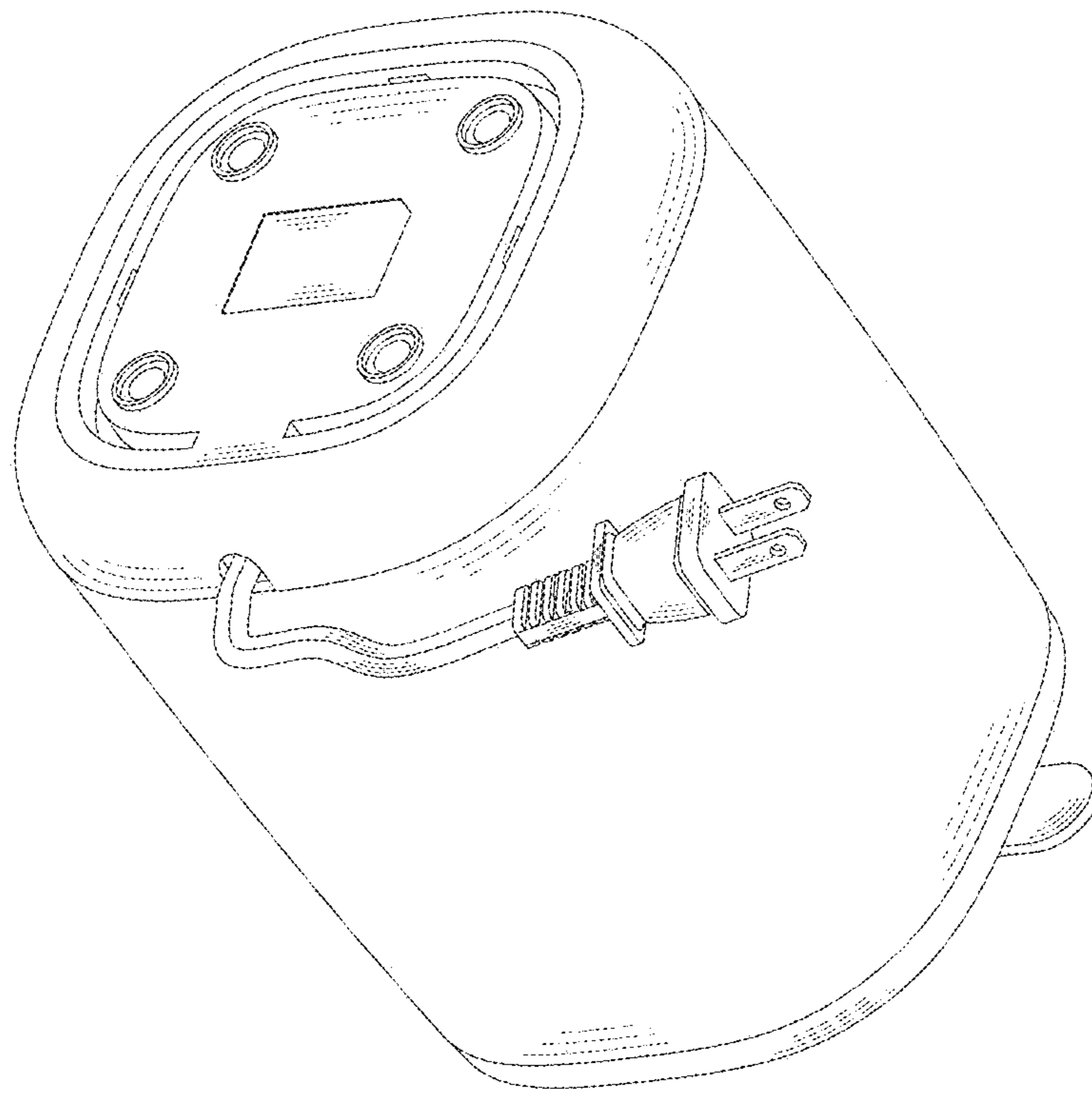


FIG. 2

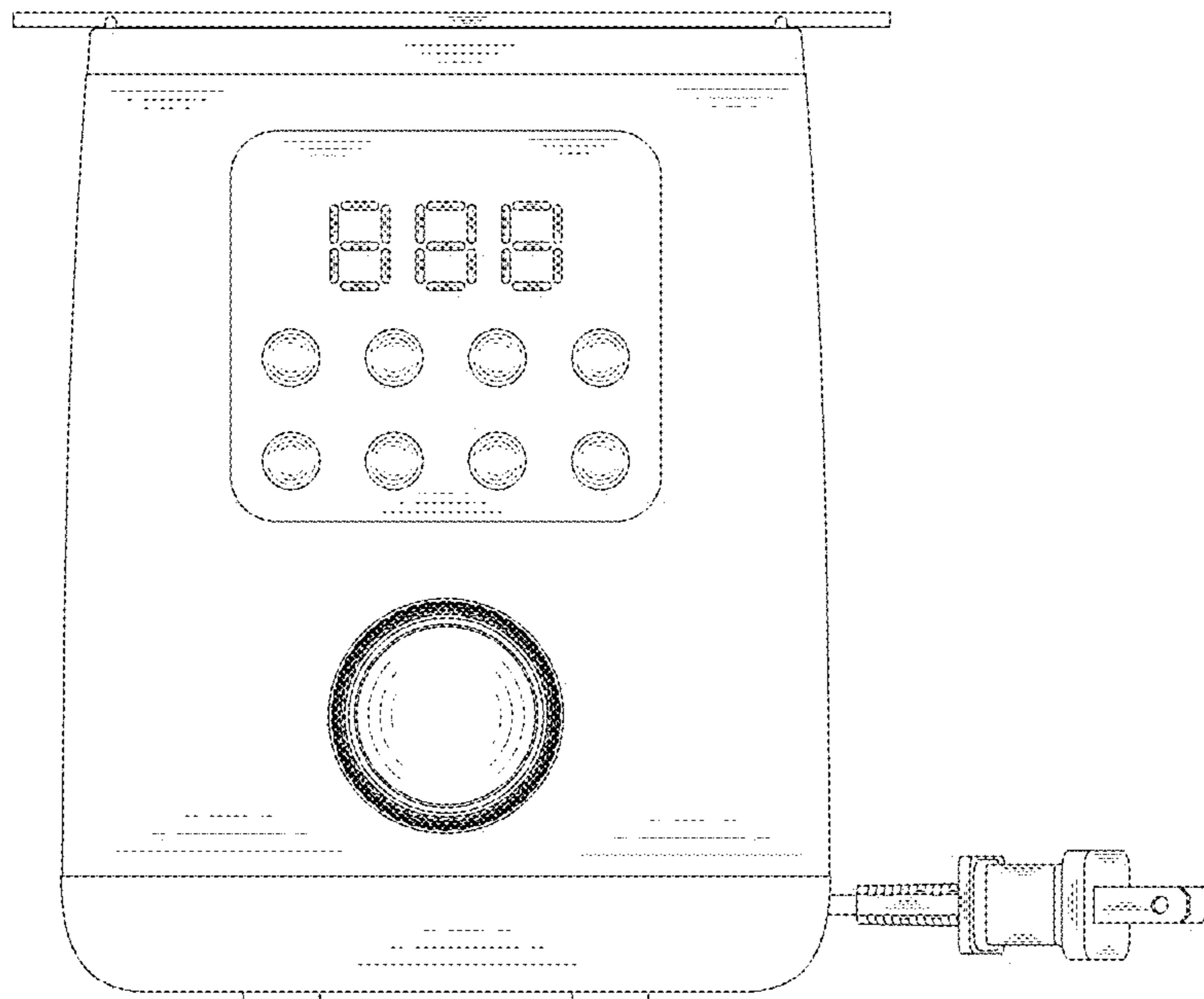


FIG. 3

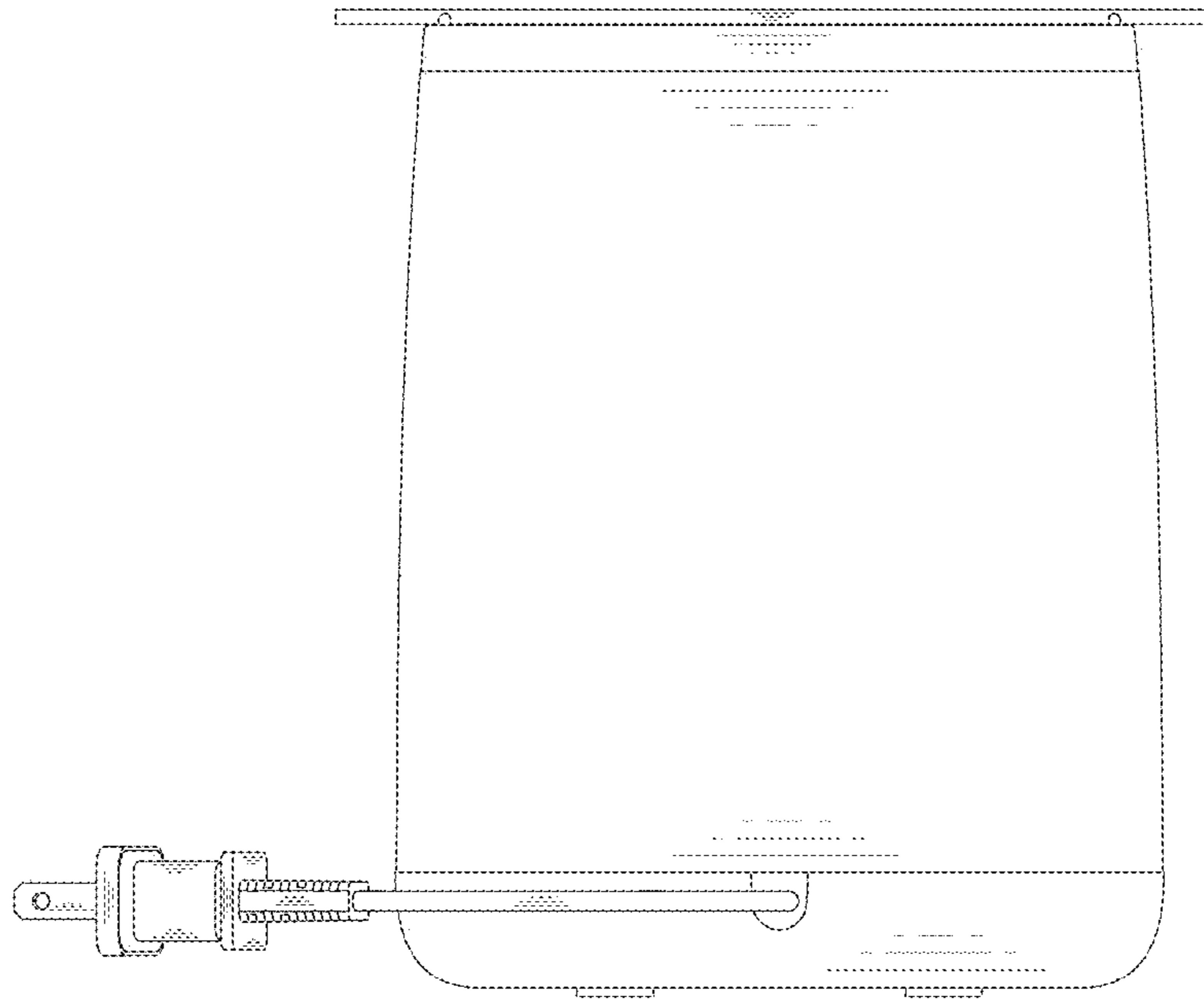


FIG. 4

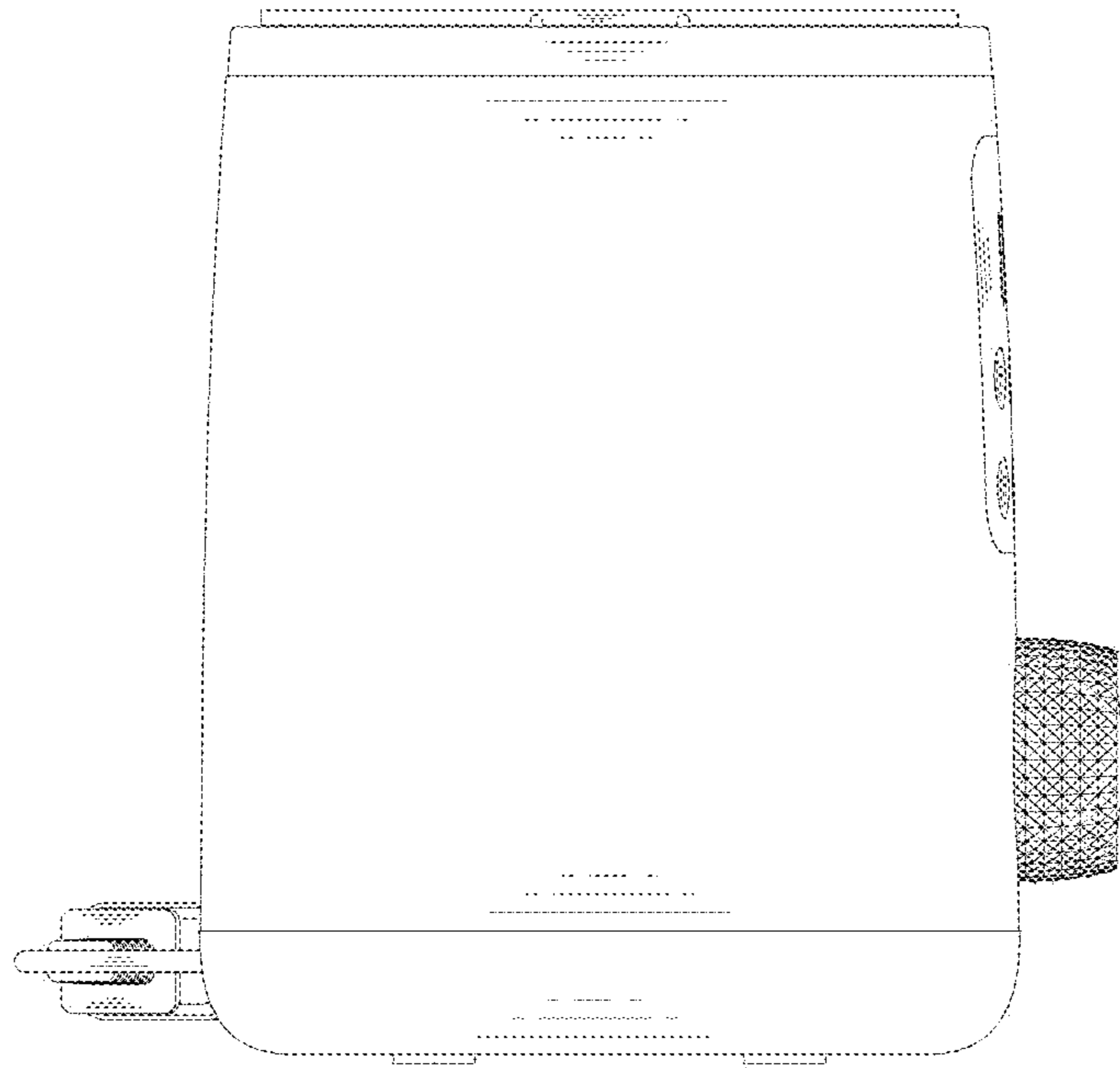


FIG. 5

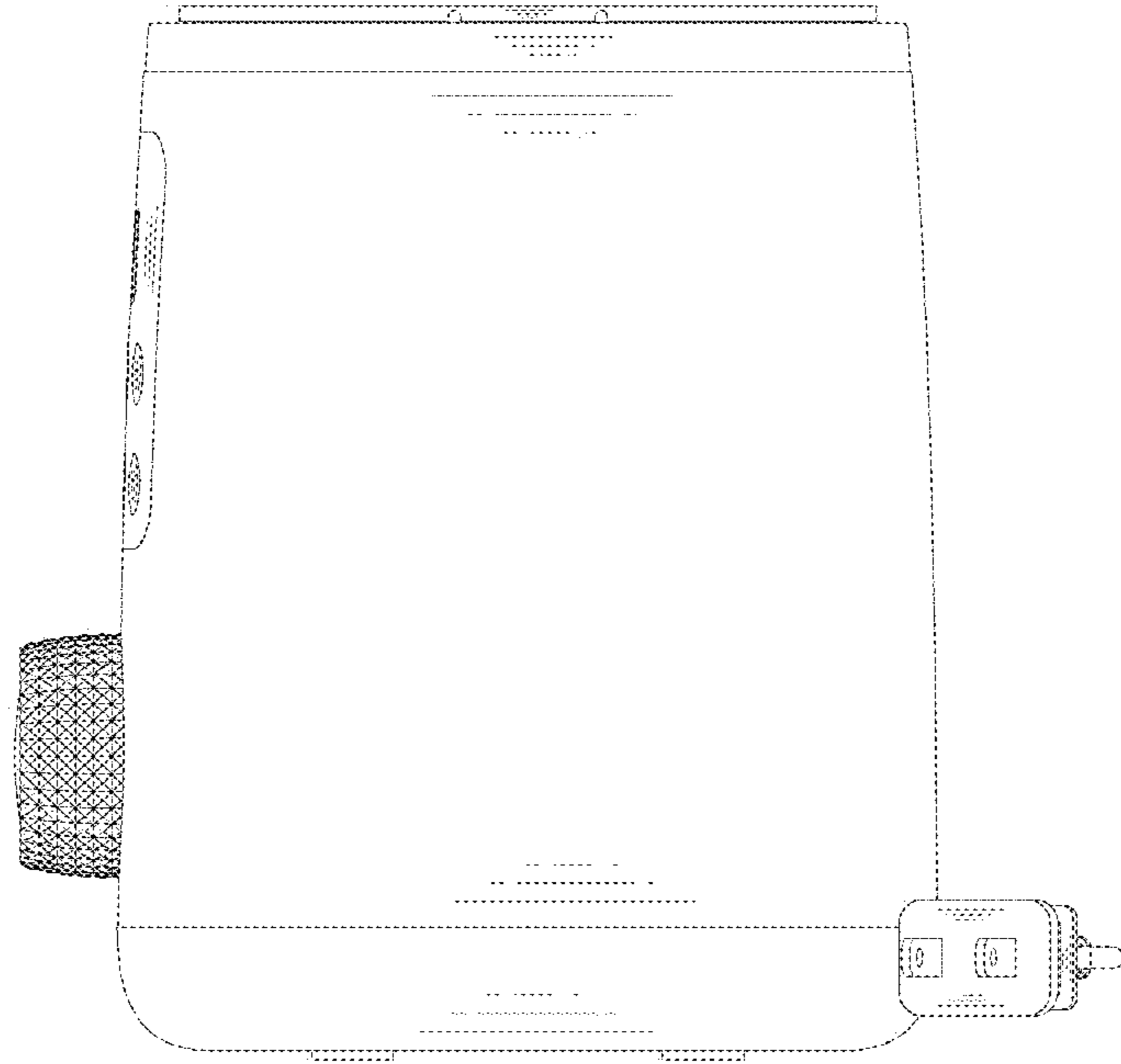


FIG. 6

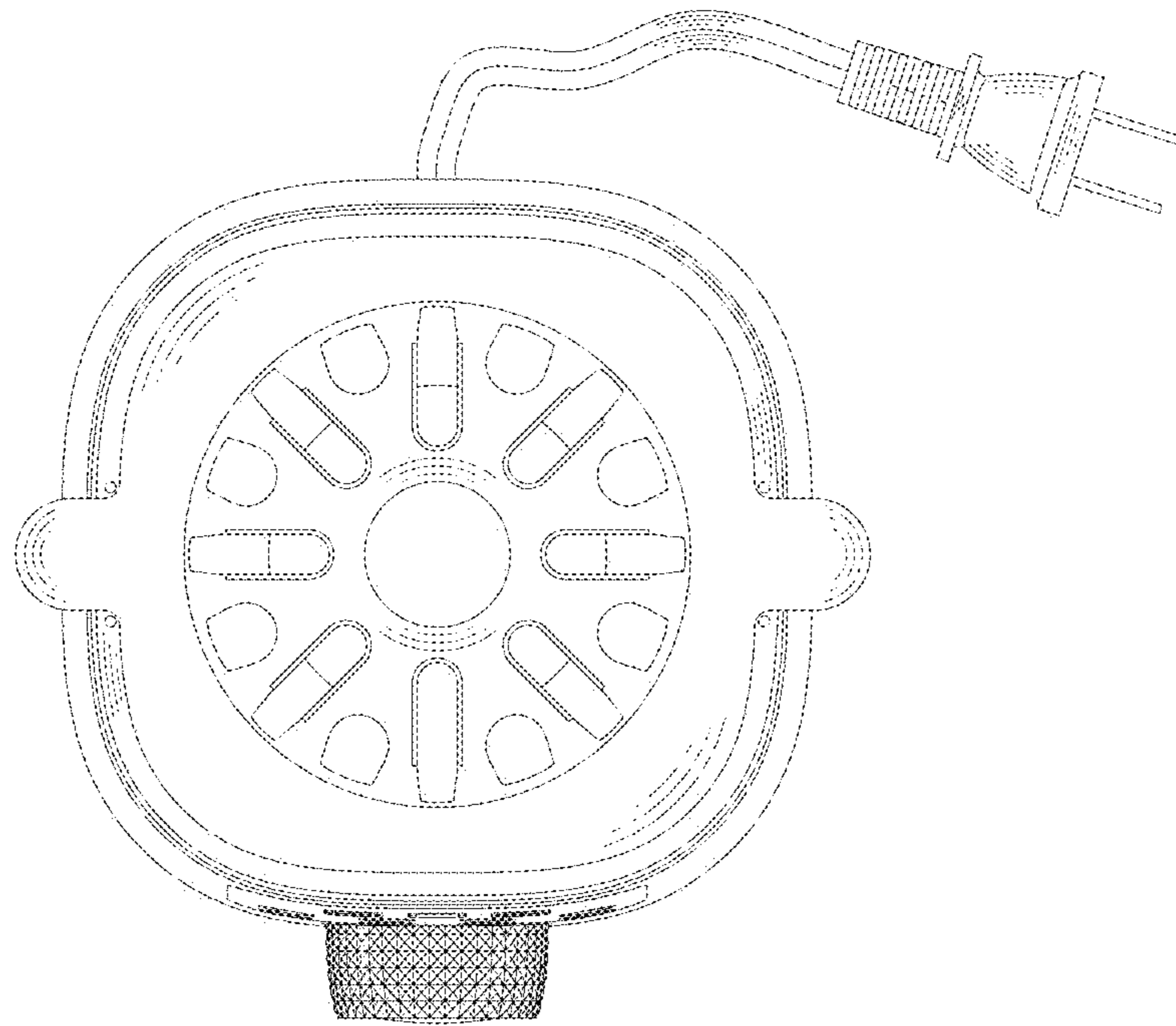


FIG. 7

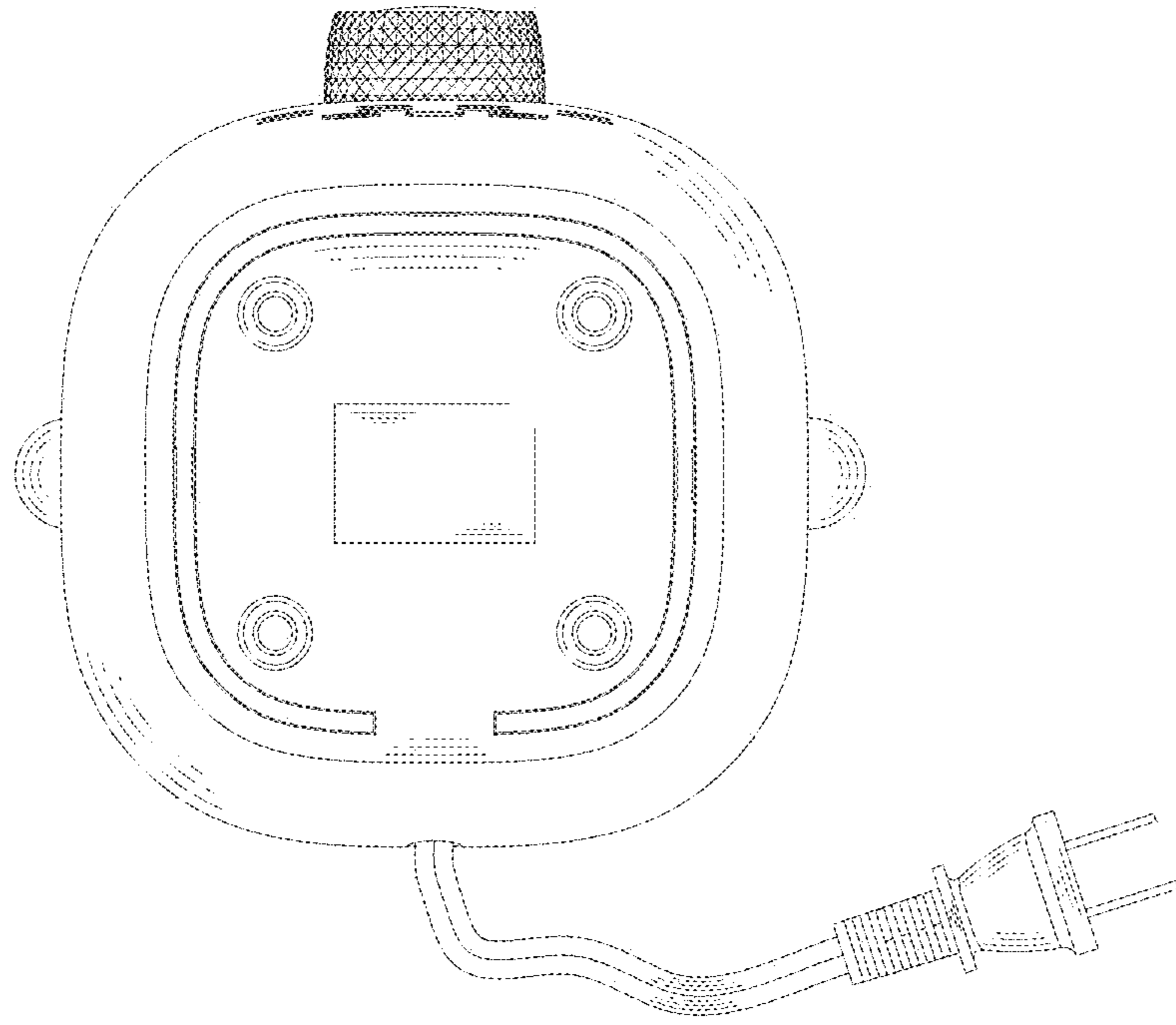


FIG. 8