



US00D982370S

(12) **United States Design Patent** (10) **Patent No.:** **US D982,370 S**  
**Veloz** (45) **Date of Patent:** **\*\* Apr. 4, 2023**

- (54) **BEVERAGE DISPENSER**
- (71) Applicant: **Automatic Bar Controls, Inc.**,  
Vacaville, CA (US)
- (72) Inventor: **Silas Veloz**, Vacaville, CA (US)
- (73) Assignee: **Automatic Bar Controls, Inc.**,  
Vacaville, CA (US)
- (\*\*) Term: **15 Years**
- (21) Appl. No.: **29/741,631**
- (22) Filed: **Jul. 14, 2020**
- (51) **LOC (14) Cl.** ..... **07-04**
- (52) **U.S. Cl.**  
USPC ..... **D7/313; D7/311; D23/241; D23/243;**  
**D23/245; D23/248**
- (58) **Field of Classification Search**  
USPC ..... **D7/213, 300, 302, 311-313, 397, 398,**  
**D7/415; D8/358, 359; D23/223, 226,**  
**D23/238, 241, 243, 245, 255, 266**  
CPC ..... **B67D 1/0084; B67D 1/0086; B67D 1/06;**  
**B67D 1/08; B67D 1/0889; E03C 1/0404;**  
**E03C 1/0405; E03C 2001/0415**  
See application file for complete search history.

- D786,404 S \* 5/2017 Kaule ..... D23/238
  - D802,720 S \* 11/2017 Haug ..... D23/238
  - D863,506 S \* 10/2019 Hayner ..... B65H 75/4471  
D23/238
  - D865,122 S \* 10/2019 Eads ..... D23/238
- (Continued)

**FOREIGN PATENT DOCUMENTS**

CN 301959769 \* 6/2012

**OTHER PUBLICATIONS**

Cnuorn, "360° Rotatable Outdoor Faucet," Mar. 21, 2017, Amazon.com, www.amazon.com/Rotatable-Bathroom-Flexible-Application-Churun/dp/B06XRQ1DH7?th=1 (Year: 2017).\*

(Continued)

*Primary Examiner* — Joseph Kukella  
*Assistant Examiner* — Arva P Adams  
(74) *Attorney, Agent, or Firm* — Kilpatrick Townsend & Stockton LLP

(57) **CLAIM**

The ornamental design for a beverage dispenser, as shown and described.

**DESCRIPTION**

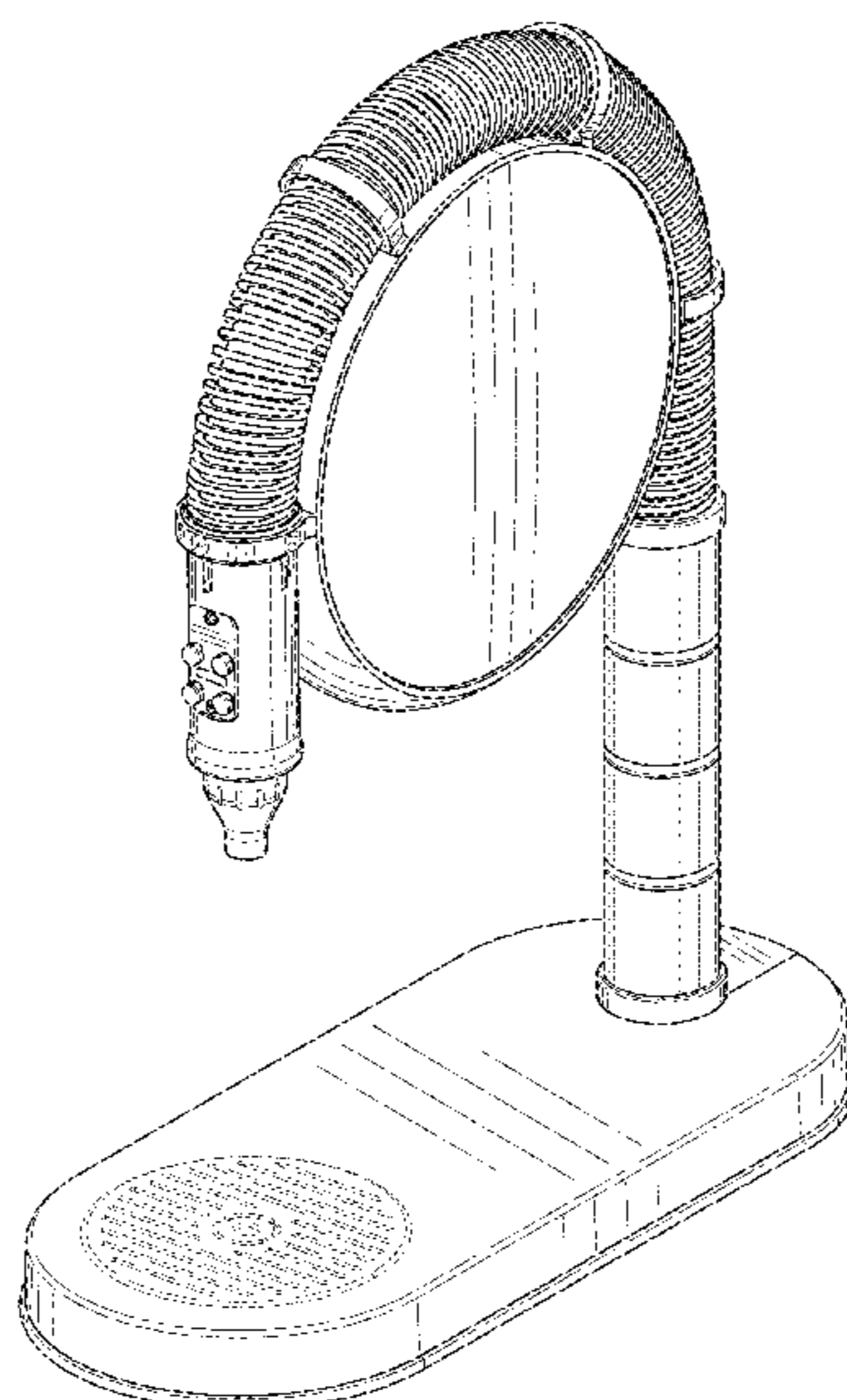
FIG. 1 is a perspective view of a beverage dispenser, showing my new design.  
FIG. 2 is a second perspective view thereof;  
FIG. 3 is a front view thereof;  
FIG. 4 is a rear view thereof;  
FIG. 5 is a right view thereof;  
FIG. 6 is a left view thereof;  
FIG. 7 is a top view thereof; and,  
FIG. 8 is a bottom view thereof.  
The broken lines show portions of the beverage dispenser that form no part of the claimed design.

**1 Claim, 8 Drawing Sheets**

(56) **References Cited**

**U.S. PATENT DOCUMENTS**

- 5,093,942 A \* 3/1992 Lang ..... A61H 33/6036  
239/197
- 5,390,695 A \* 2/1995 Howard ..... B65H 75/4471  
137/355.27
- D365,491 S \* 12/1995 Hui ..... B67D 1/0084  
D7/311
- D479,309 S \* 9/2003 Haug ..... A61H 33/6036  
D23/238
- D520,114 S \* 5/2006 Starck ..... B65H 75/4471  
D23/238
- D735,298 S \* 7/2015 Eads ..... D23/238
- D779,635 S \* 2/2017 Kuran ..... D23/238



(56)

**References Cited**

U.S. PATENT DOCUMENTS

10,654,703 B2 \* 5/2020 Hecht ..... B67D 1/0086  
2018/0030700 A1 \* 2/2018 Zindler ..... E03C 1/0405

OTHER PUBLICATIONS

Decorative Plumbing Supply, “@waterstoneusa Endeavor Wheel  
Pull-down Faucet Aka The Hot Rod,” Sep. 27, 2019, Facebook,  
[www.facebook.com/decorativeplumbingsupply/photos/a.  
10153983956407779/10157150254347779/](http://www.facebook.com/decorativeplumbingsupply/photos/a.10153983956407779/10157150254347779/) (Year: 2019).\*

\* cited by examiner

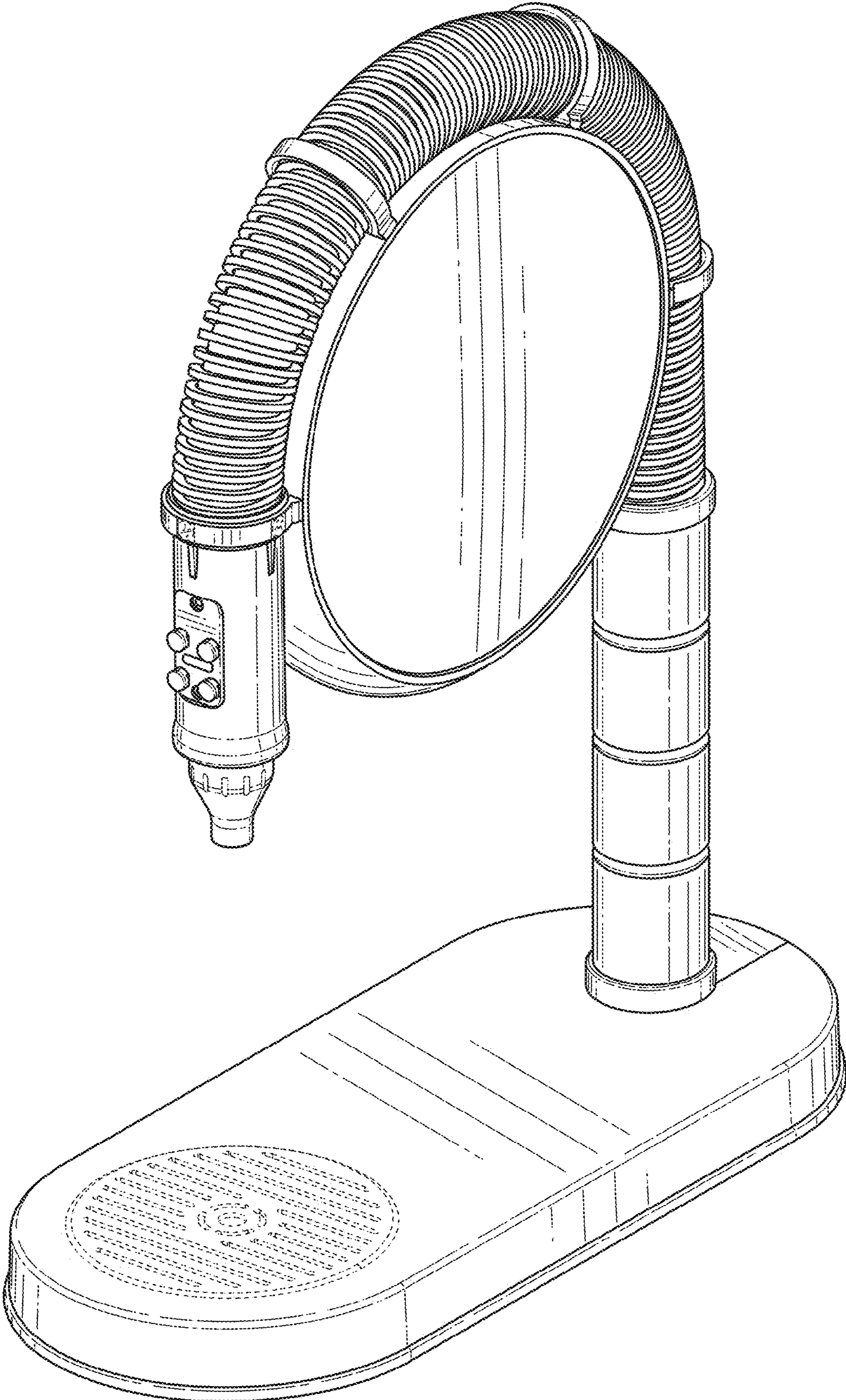


FIG. 1

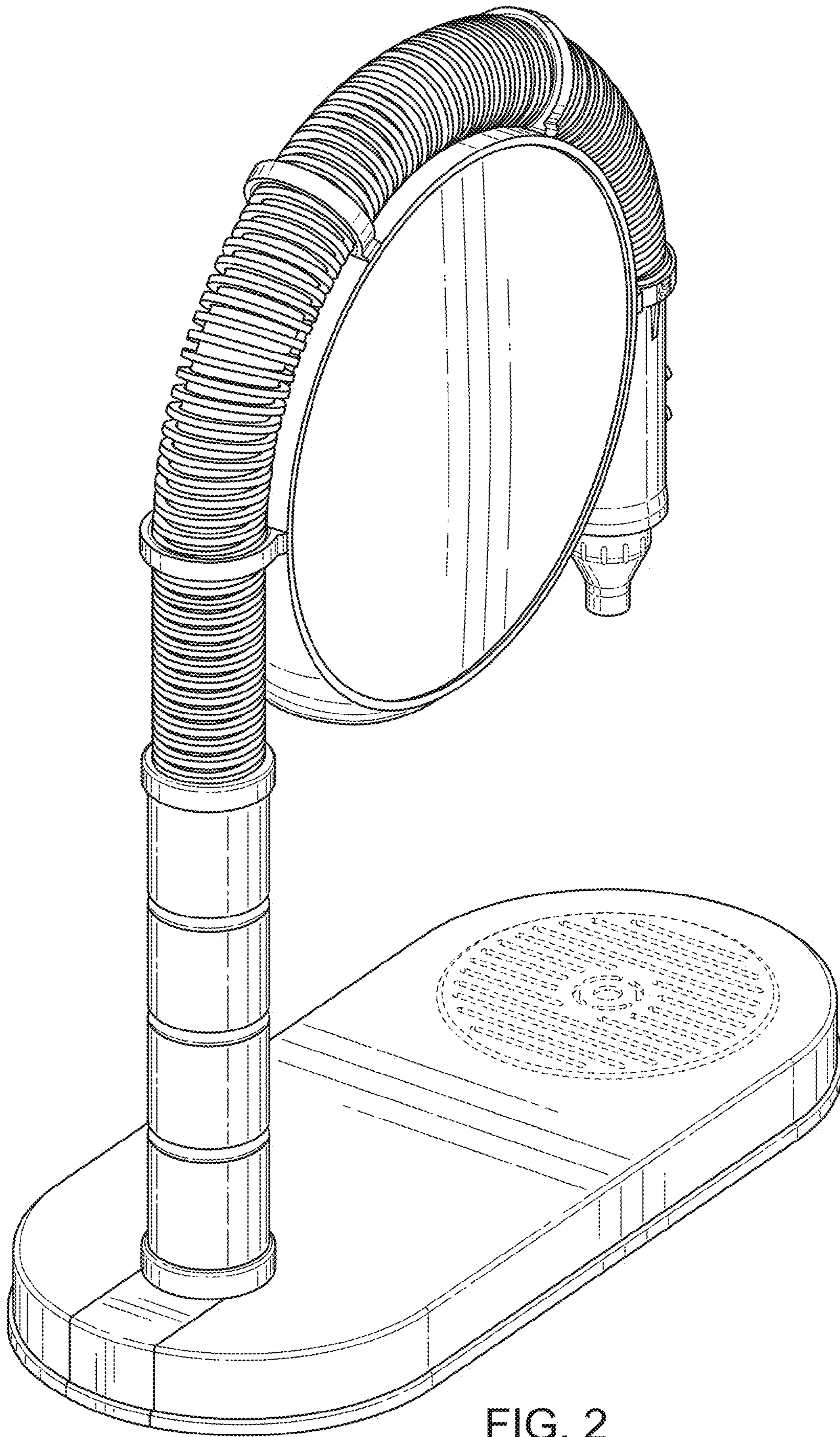


FIG. 2

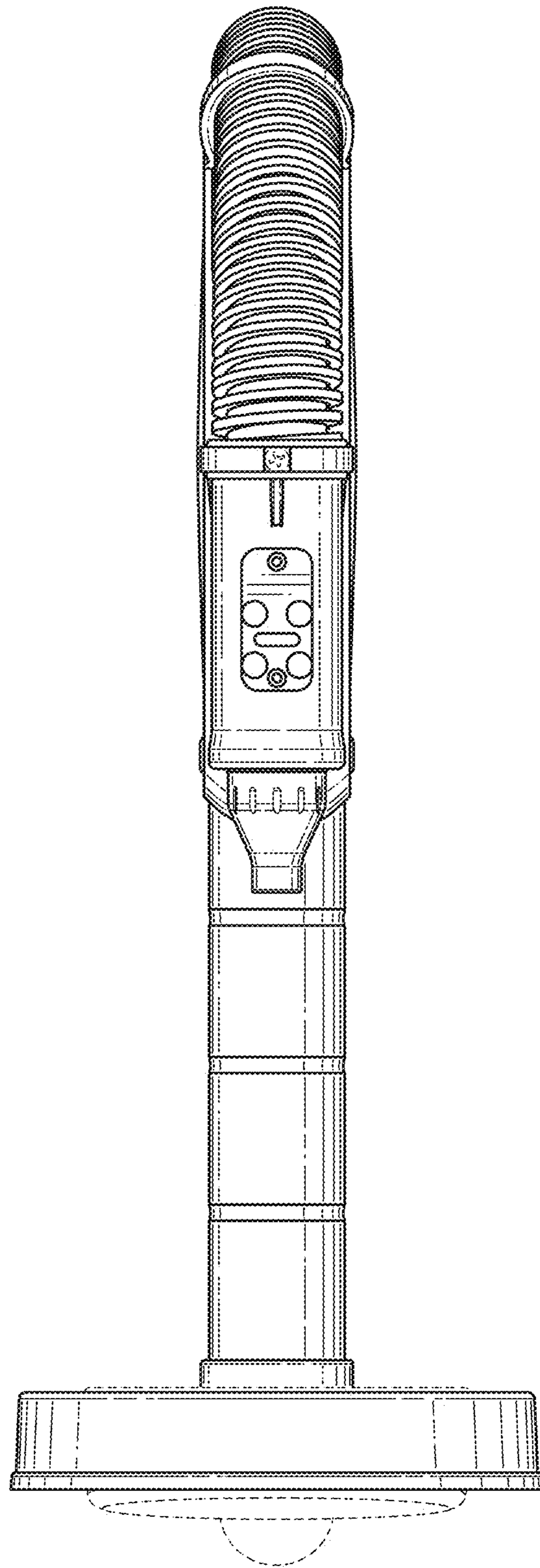


FIG. 3

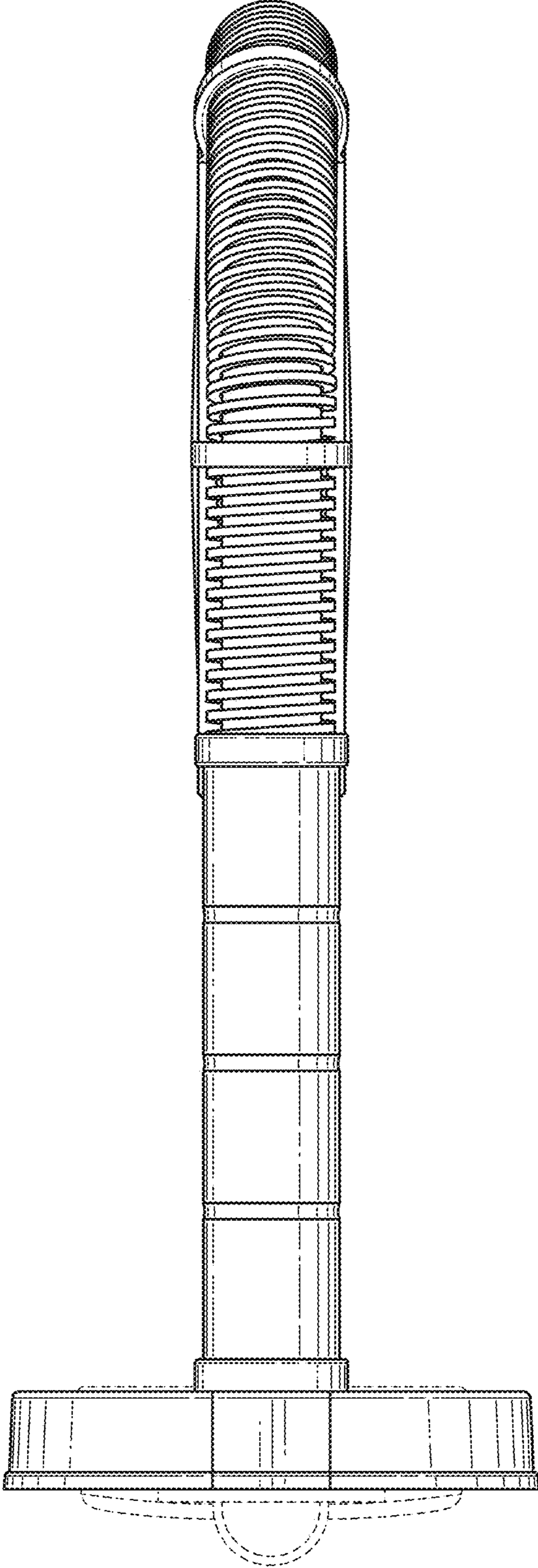


FIG. 4

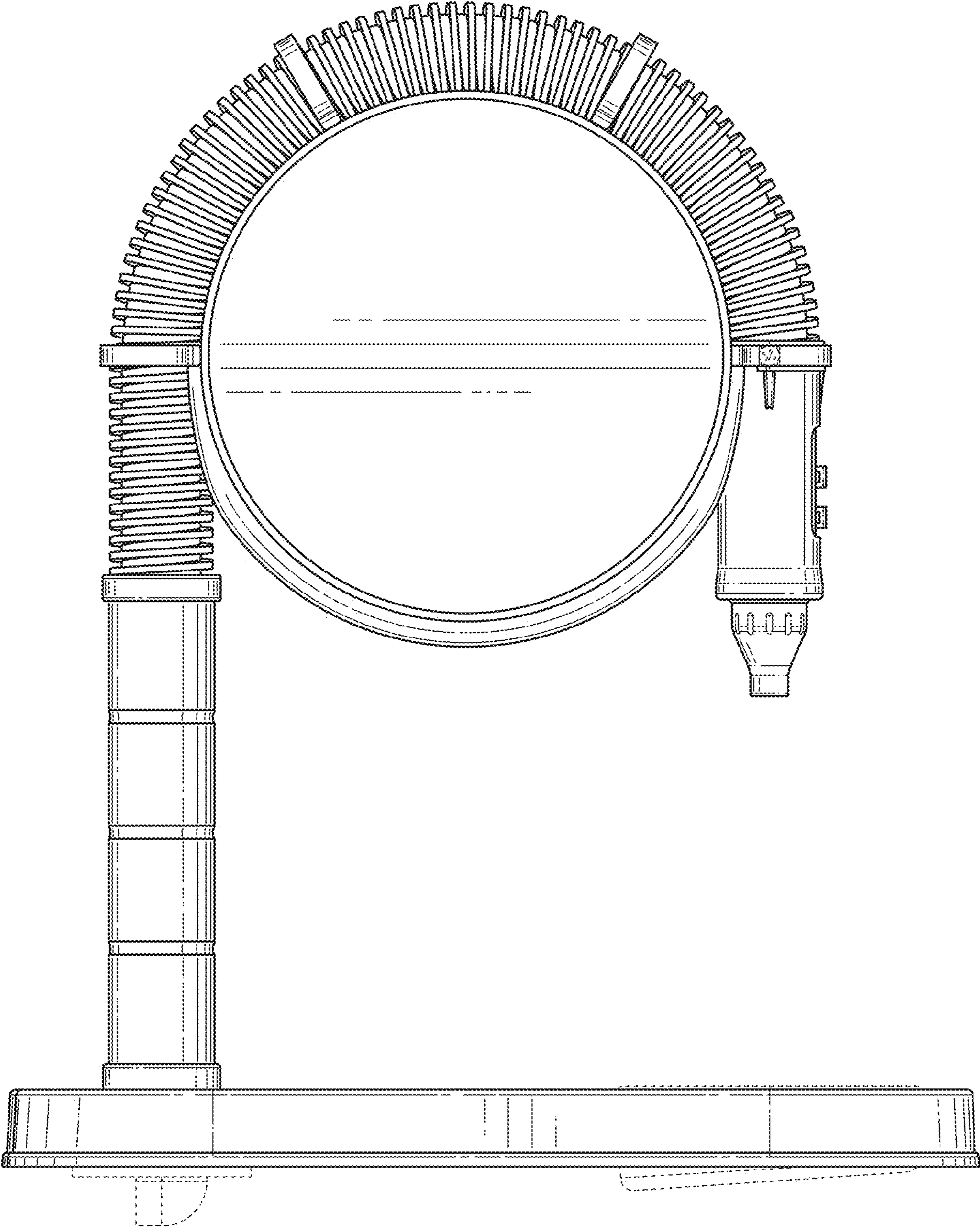


FIG. 5

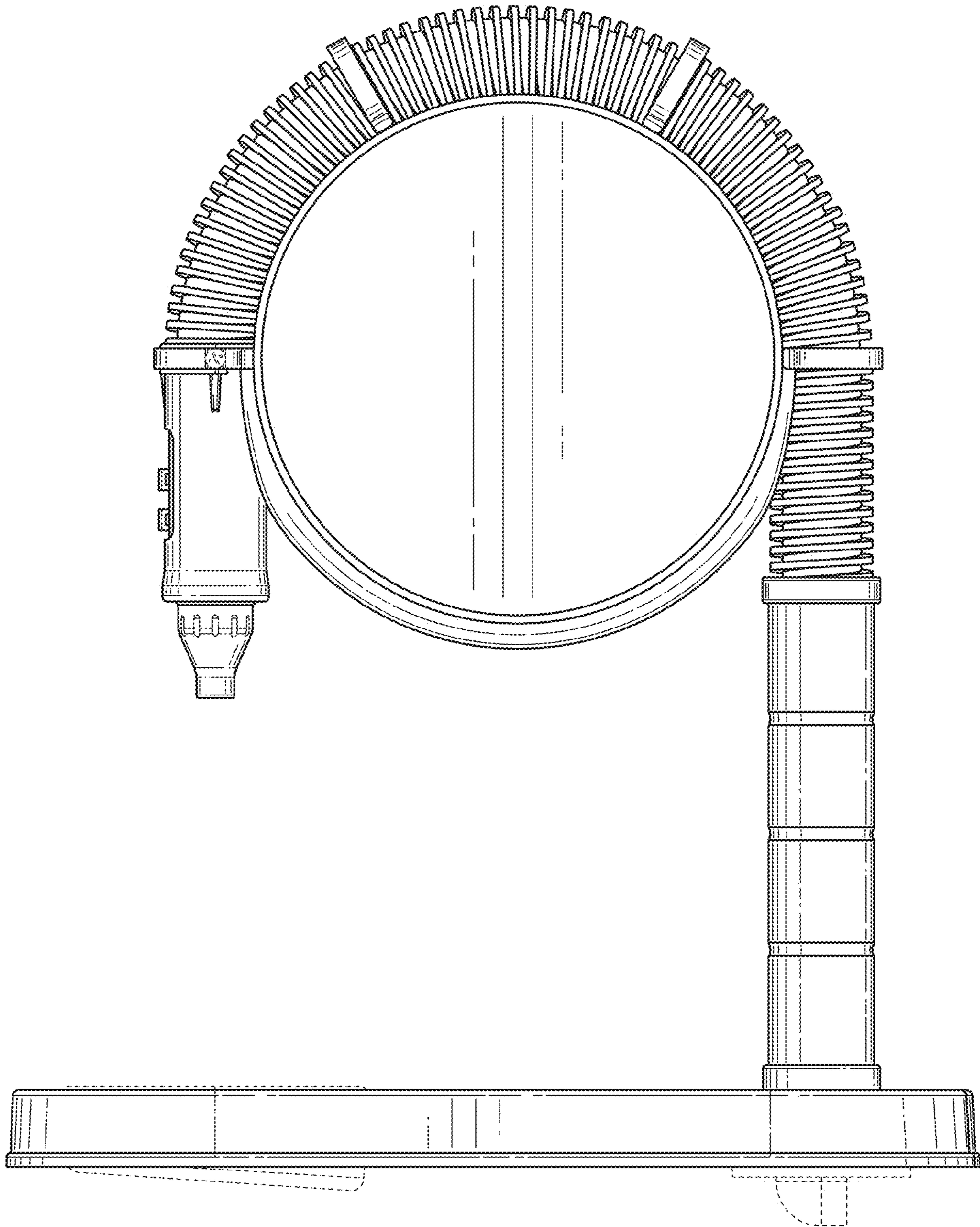


FIG. 6



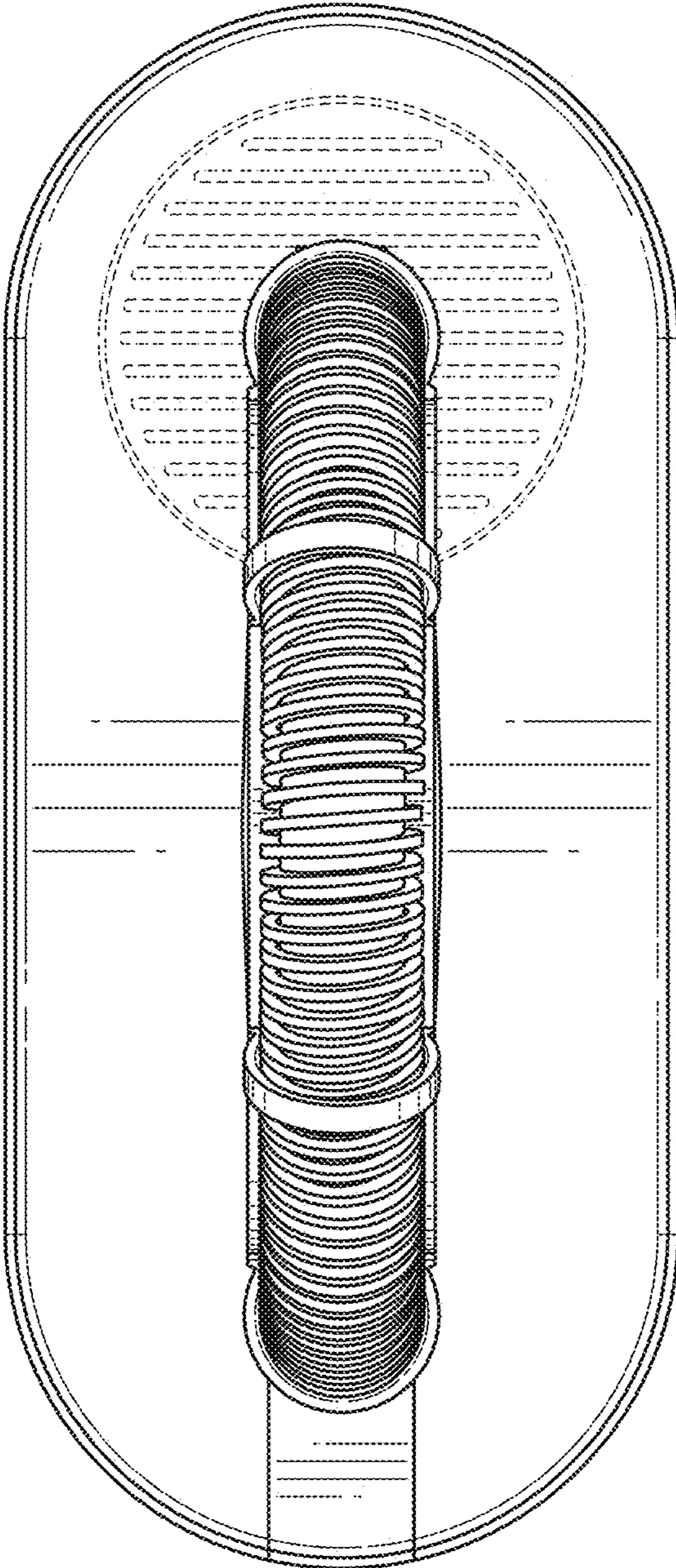


FIG. 7

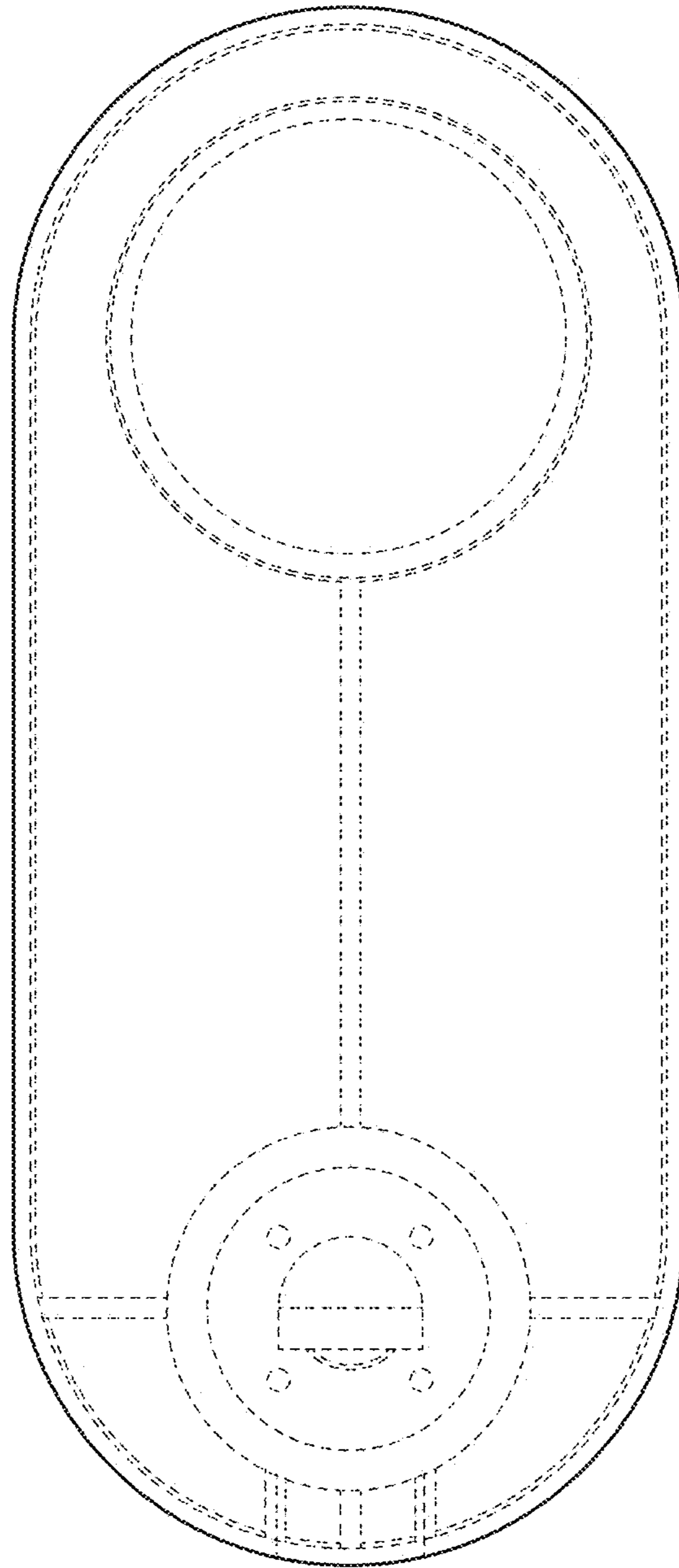


FIG. 8