



US00D982365S

(12) **United States Design Patent**  
**Tisbo**

(10) **Patent No.:** **US D982,365 S**

(45) **Date of Patent:** **\*\* Apr. 4, 2023**

(54) **DESK DRAWER ATTACHMENT**

D577,936 S \* 10/2008 Held ..... D6/705.4  
D610,848 S \* 3/2010 Yang ..... D6/705  
D684,796 S \* 6/2013 Gasser ..... D6/705.5

(71) Applicant: **Custom Plastics, Inc.**, Elk Grove Village, IL (US)

(72) Inventor: **Peter Tisbo**, Elk Grove Village, IL (US)

(73) Assignee: **Custom Plastics, Inc.**, Elk Grove Village, IL (US)

(\*\*) Term: **15 Years**

(21) Appl. No.: **29/747,799**

(22) Filed: **Aug. 25, 2020**

(51) **LOC (14) Cl.** ..... **06-06**

(52) **U.S. Cl.**  
USPC ..... **D6/705**

(58) **Field of Classification Search**  
USPC ..... D6/702, 705, 705.5, 706; D19/75  
CPC ..... A47B 88/00; A47B 88/417; A47B 88/919;  
A47B 88/925  
See application file for complete search history.

(56) **References Cited**

**U.S. PATENT DOCUMENTS**

1,398,023 A \* 11/1921 Hotson ..... A47B 88/90  
312/351  
D503,574 S \* 4/2005 Yao ..... D7/637  
D523,667 S \* 6/2006 Bisson ..... D6/705

**OTHER PUBLICATIONS**

Qline Underdesk Pencil Drawer Organizer Tray, by Qline—Amazon <https://www.amazon.com/Qline-Underdesk-Pencil-Organizer-bearing/dp/B0019MJLNK/> retrieved from the internet on 2007.\*

\* cited by examiner

*Primary Examiner* — Mary Ann Calabrese

(74) *Attorney, Agent, or Firm* — McHale & Slavin, P.A.

(57) **CLAIM**

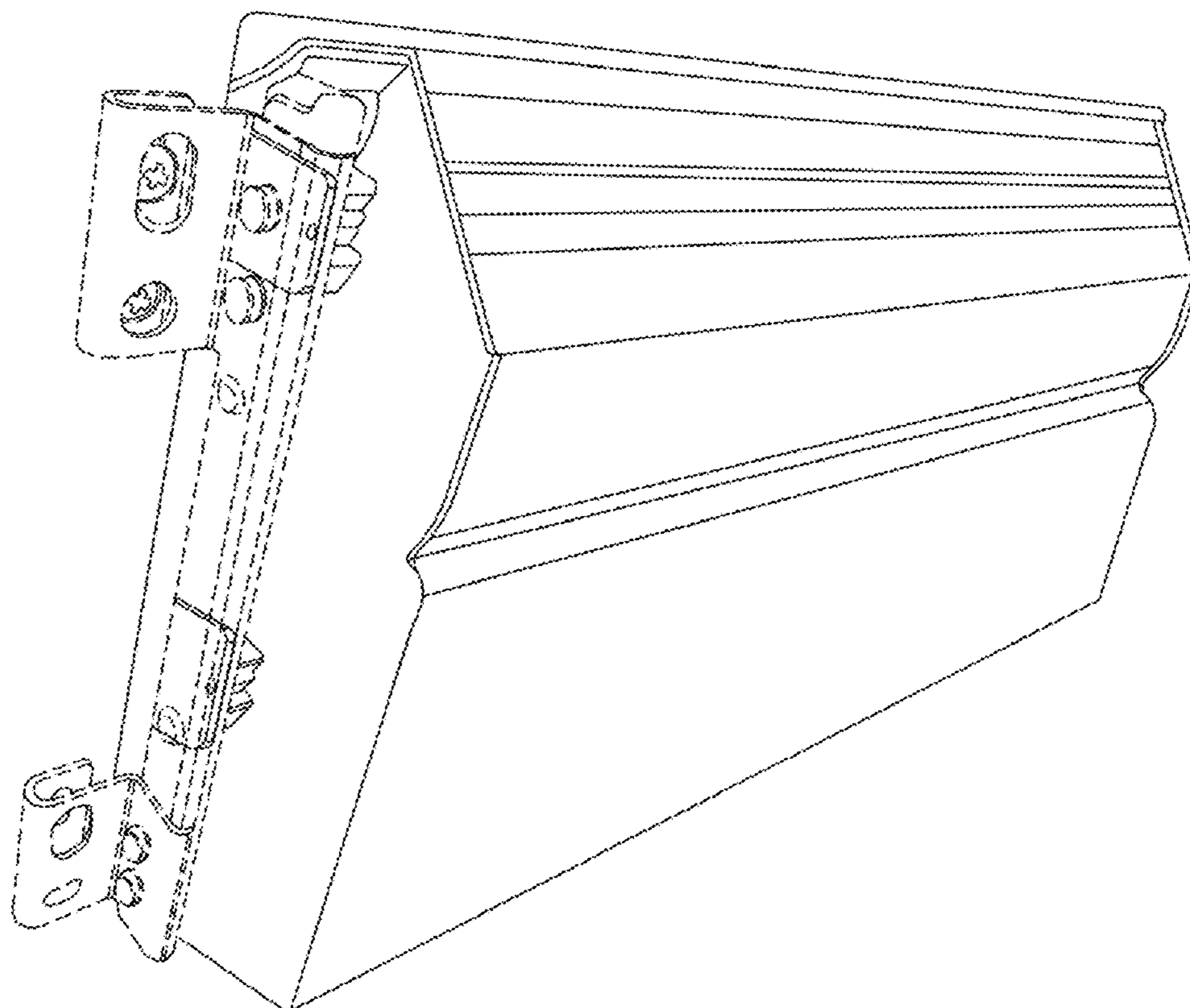
The ornamental design for a desk drawer attachment, as shown and described.

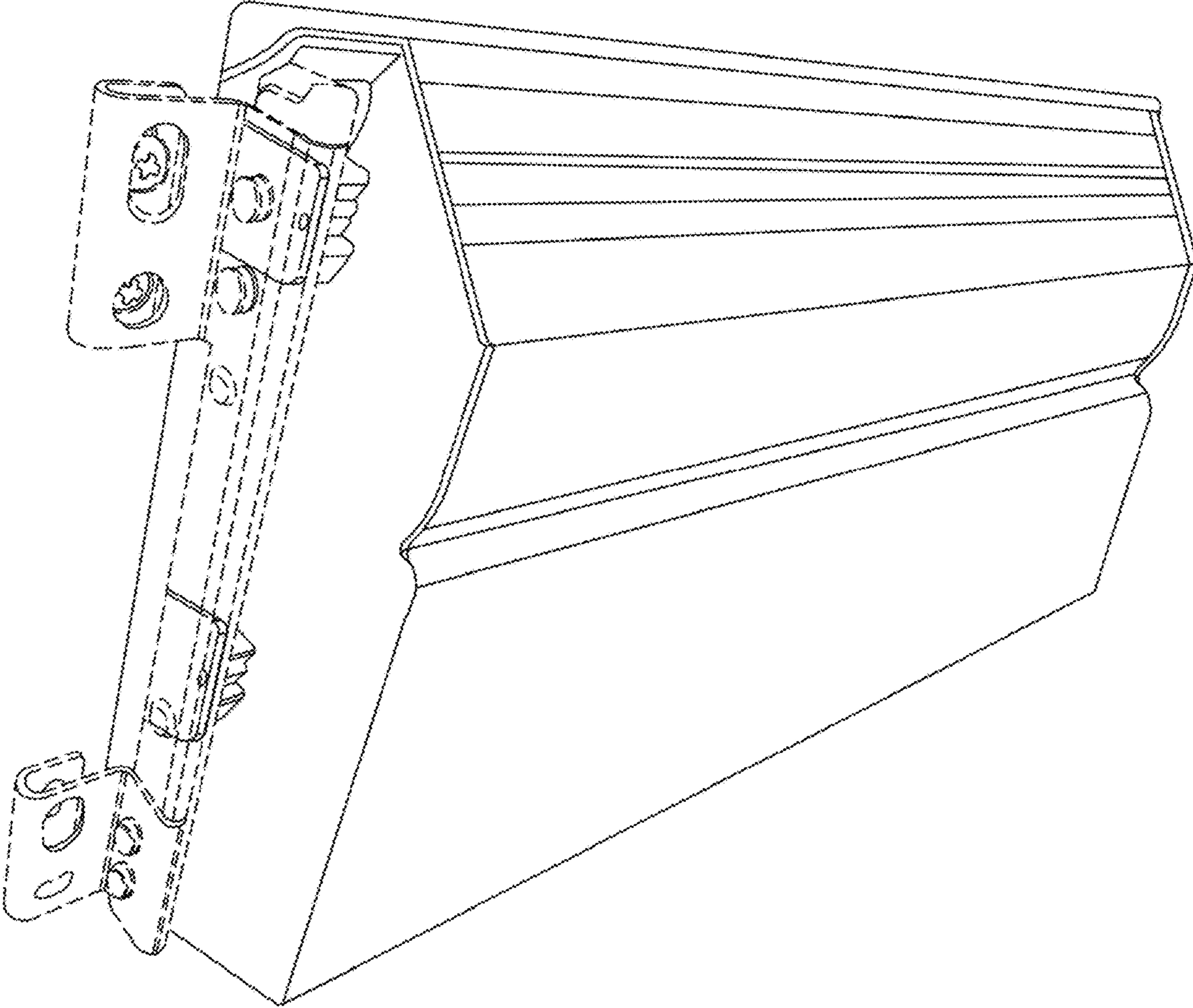
**DESCRIPTION**

FIG. 1 is a front lower perspective view of the desk drawer attachment showing my new design; FIG. 2 is a right view thereof; FIG. 3 is a left view thereof; FIG. 4 is a bottom view thereof; FIG. 5 is a top view thereof; FIG. 6 is a rear view thereof; and, FIG. 7 is a front view thereof.

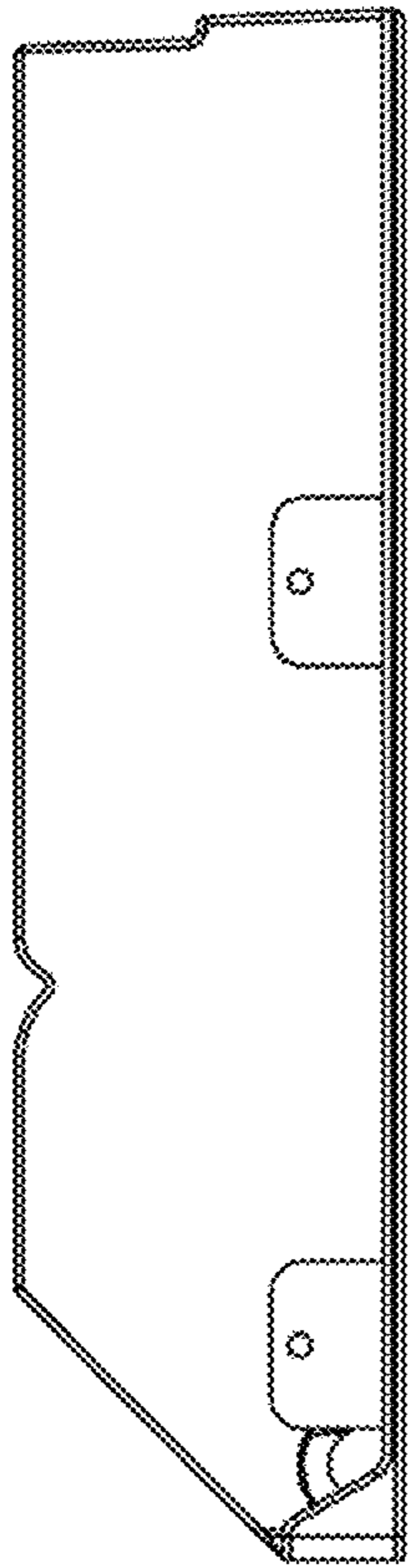
The broken lines represent environmental subject matter and form no part of the claimed design.

**1 Claim, 6 Drawing Sheets**

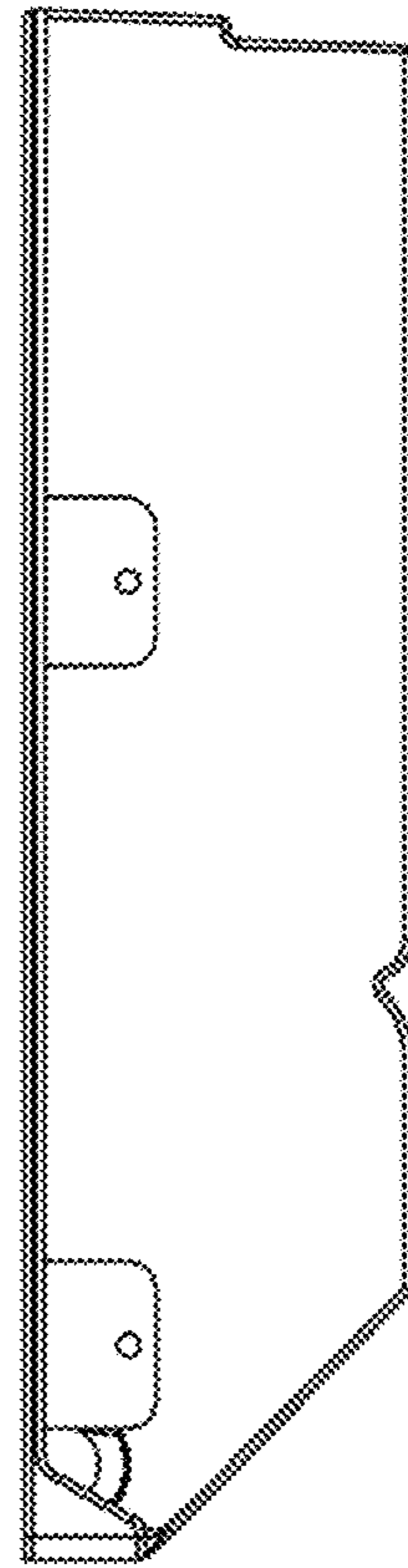




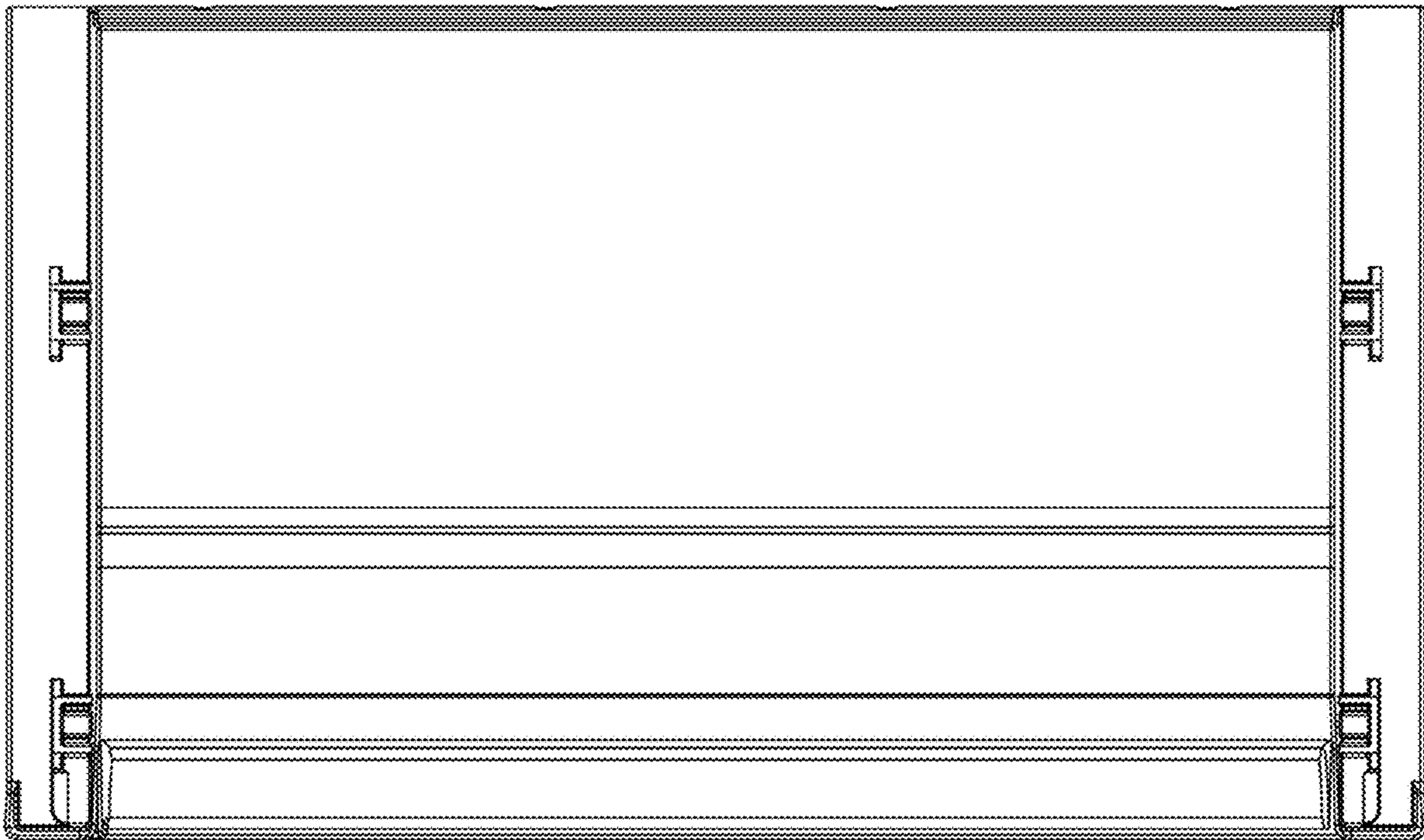
**Fig. 1**



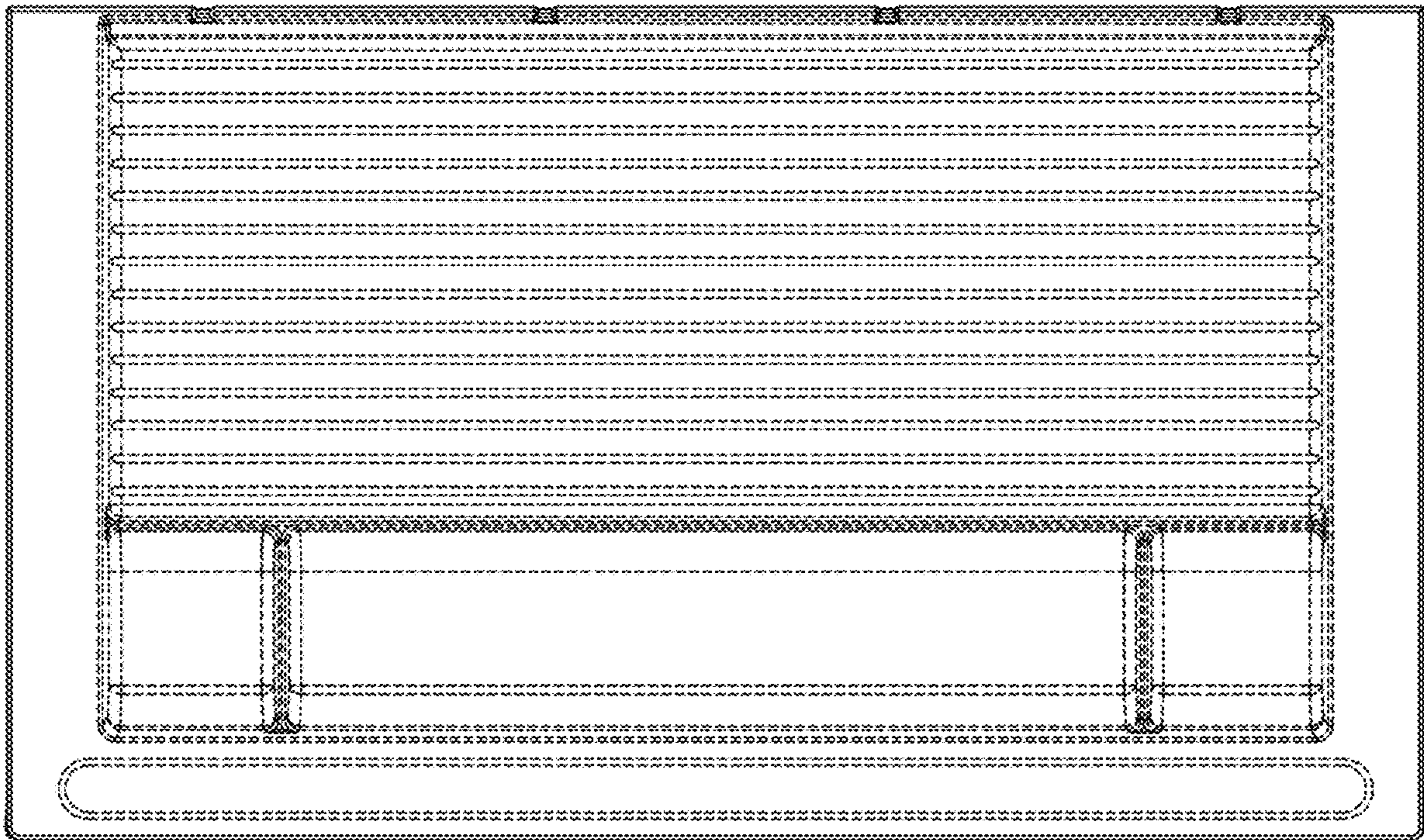
***Fig. 2***



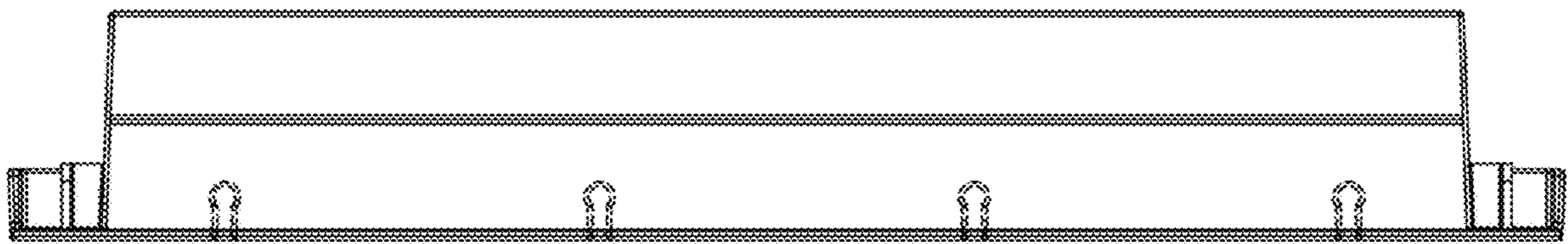
***Fig. 3***



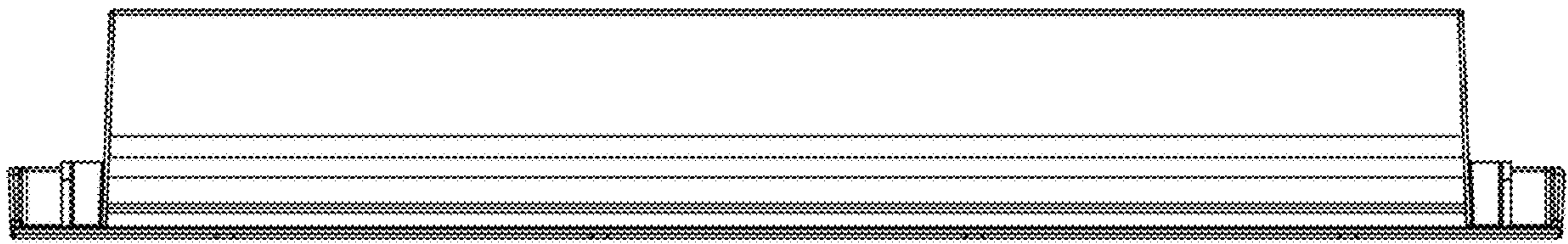
***Fig. 4***



***Fig. 5***



***Fig. 6***



***Fig. 7***