



US00D982364S

(12) **United States Design Patent** (10) **Patent No.:** **US D982,364 S**  
**Ranco** (45) **Date of Patent:** **\*\* \*Apr. 4, 2023**

(54) **TABLE**  
(71) Applicant: **PLAST-MECCANICA SOCIETA' PER AZIONI**, Castelbellino (IT)  
(72) Inventor: **Giuseppe Sandro Ranco**, Maiolati Spontini (IT)  
(\* ) Notice: This patent is subject to a terminal disclaimer.  
(\*\* ) Term: **15 Years**  
(21) Appl. No.: **29/752,552**  
(22) Filed: **Sep. 28, 2020**  
(51) **LOC (14) Cl.** ..... **06-03**  
(52) **U.S. Cl.**  
USPC ..... **D6/691**  
(58) **Field of Classification Search**  
USPC ..... D6/684-686, 691, 691.1-691.9  
CPC ..... A47B 7/00; A47B 13/00; A47B 13/002;  
A47B 13/04; A47B 13/06; A47B 13/08;  
A47B 13/10; A47B 13/12; A47B 21/00;  
A47B 41/00; A47B 2200/0001; A47B  
2200/0011; A47B 2200/002  
See application file for complete search history.

D788,503 S \* 6/2017 Duvigneau ..... D6/691.6  
D792,134 S \* 7/2017 Bougay ..... D6/691  
D799,248 S \* 10/2017 Miller ..... D6/691  
D801,092 S \* 10/2017 Merritt ..... D6/691  
D855,363 S \* 8/2019 Grassinger ..... D6/691  
D911,086 S \* 2/2021 Crocker ..... D6/691.6  
D917,940 S \* 5/2021 Averianov ..... D6/691.6  
D931,026 S \* 9/2021 Crocker ..... D6/691.6

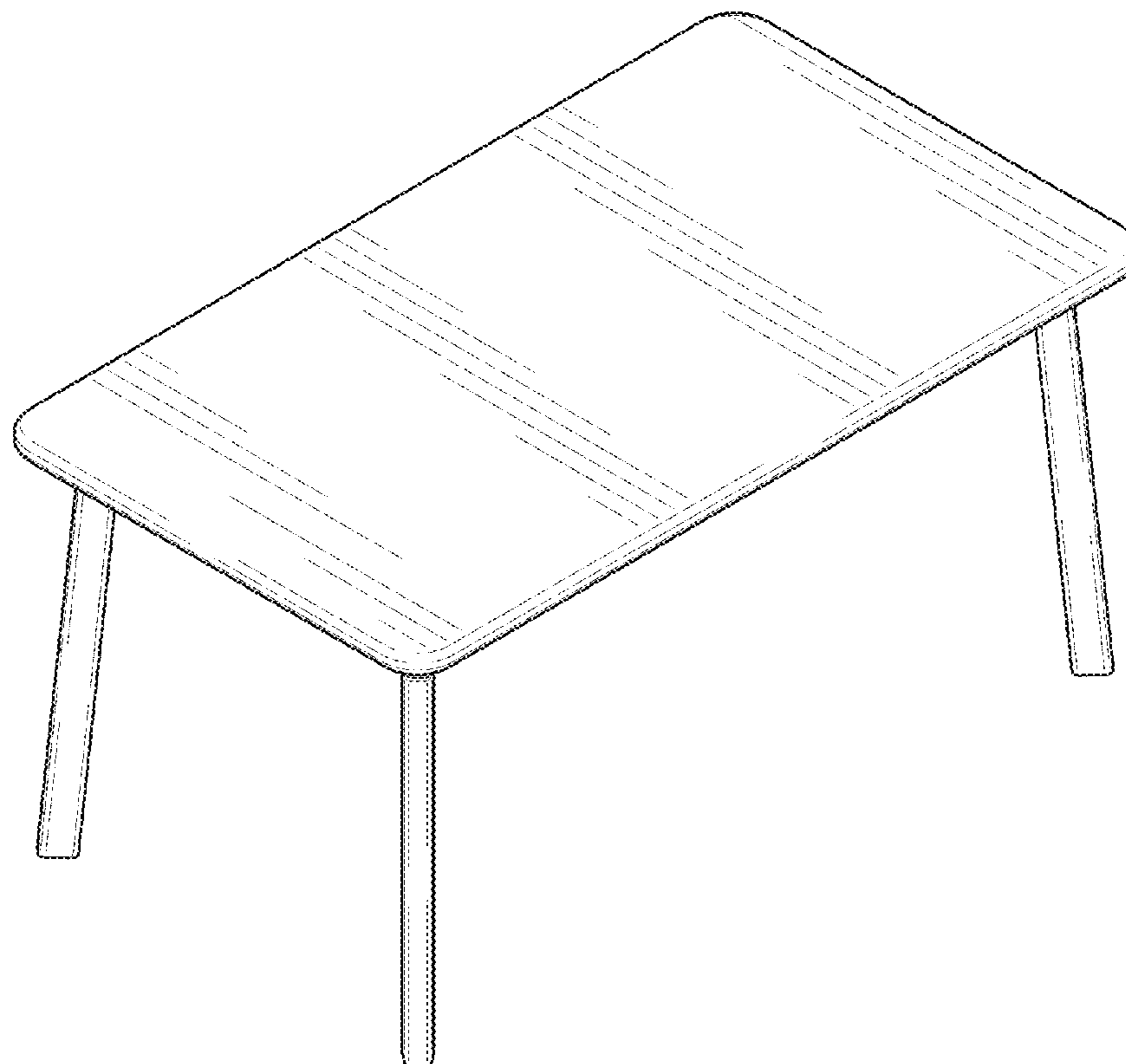
\* cited by examiner  
*Primary Examiner* — Mary Ann Calabrese  
(74) *Attorney, Agent, or Firm* — Egbert, McDaniel & Swartz, PLLC

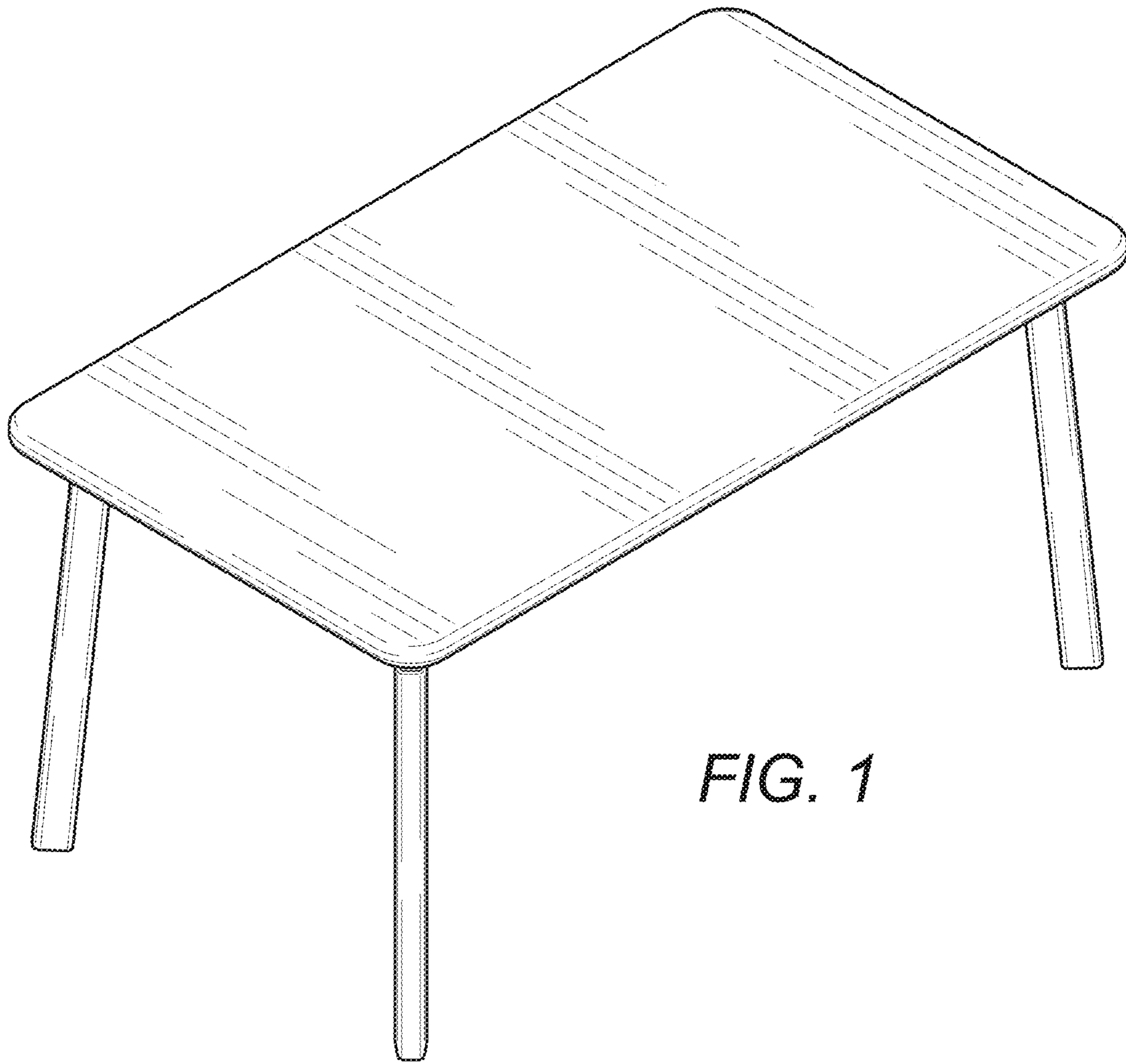
(56) **References Cited**  
U.S. PATENT DOCUMENTS  
D473,735 S \* 4/2003 Moore ..... D6/691.6  
D781,085 S \* 3/2017 Liu ..... D6/691

(57) **CLAIM**  
The ornamental design for a table, as shown and described.

**DESCRIPTION**  
FIG. 1 is a perspective view of a table showing my new design.  
FIG. 2 is a front view thereof;  
FIG. 3 is a rear view thereof;  
FIG. 4 is a side view thereof;  
FIG. 5 is an opposite side view thereof;  
FIG. 6 is a top view thereof; and,  
FIG. 7 is a bottom view thereof.

**1 Claim, 3 Drawing Sheets**

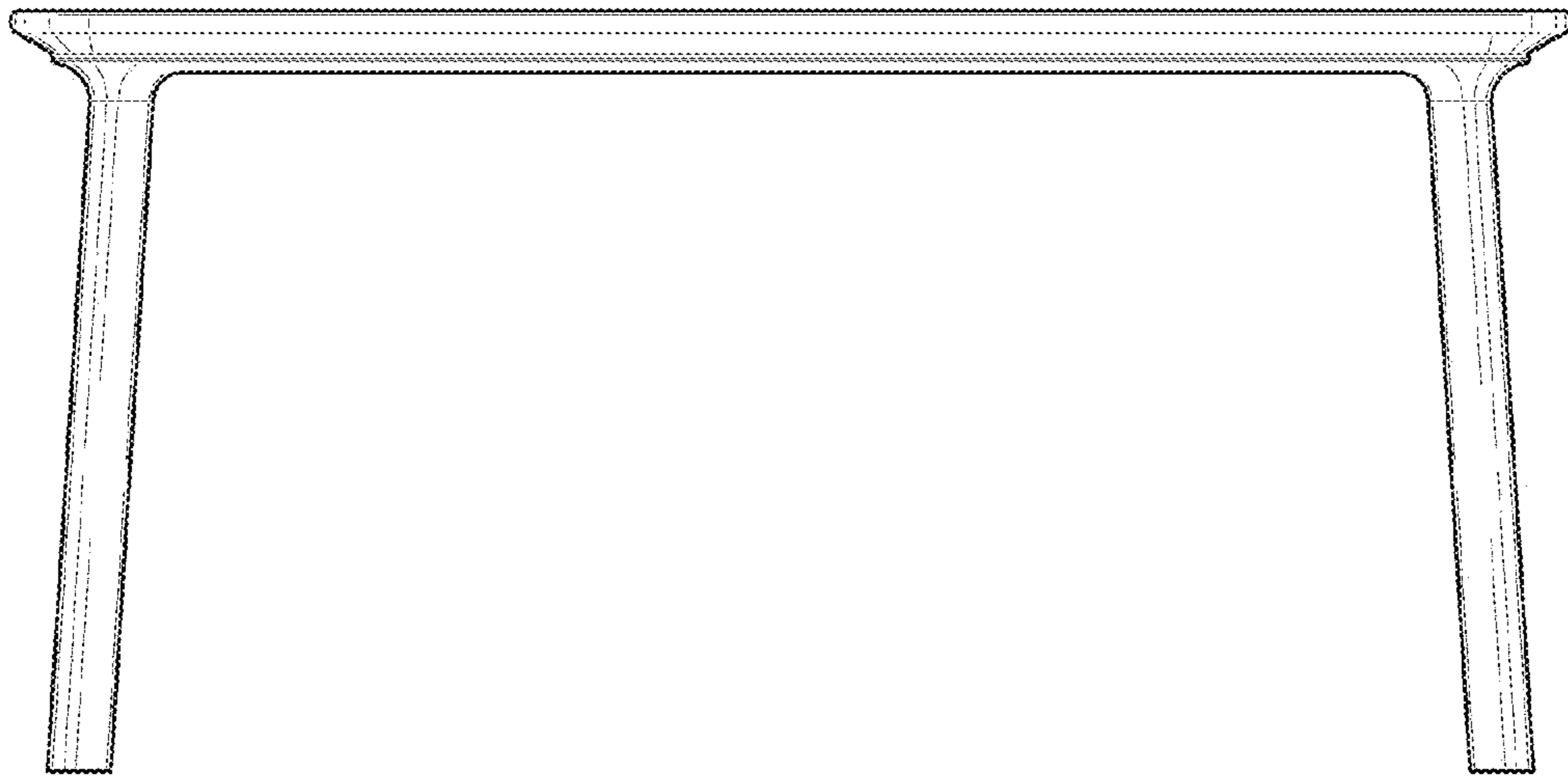




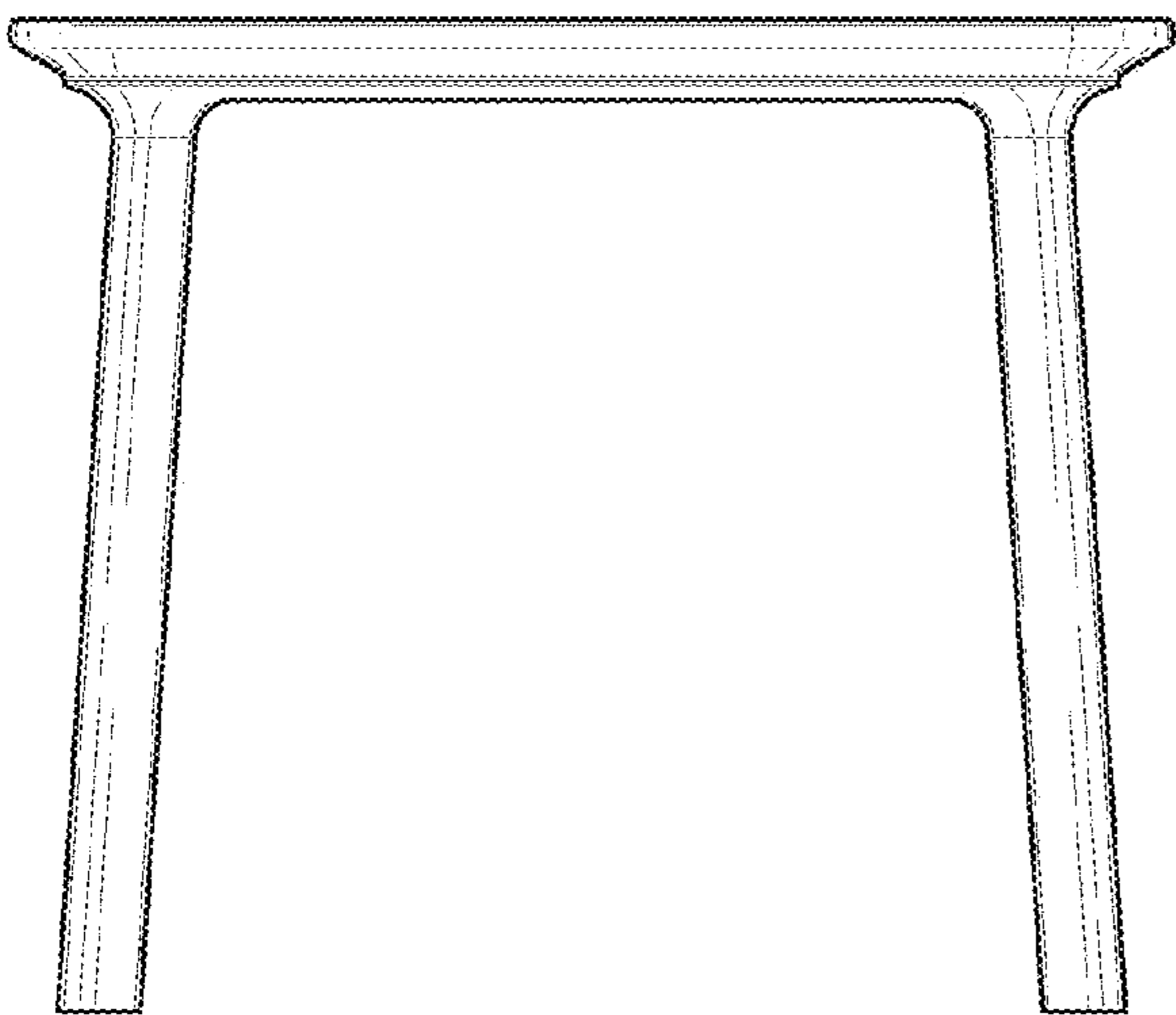
*FIG. 1*



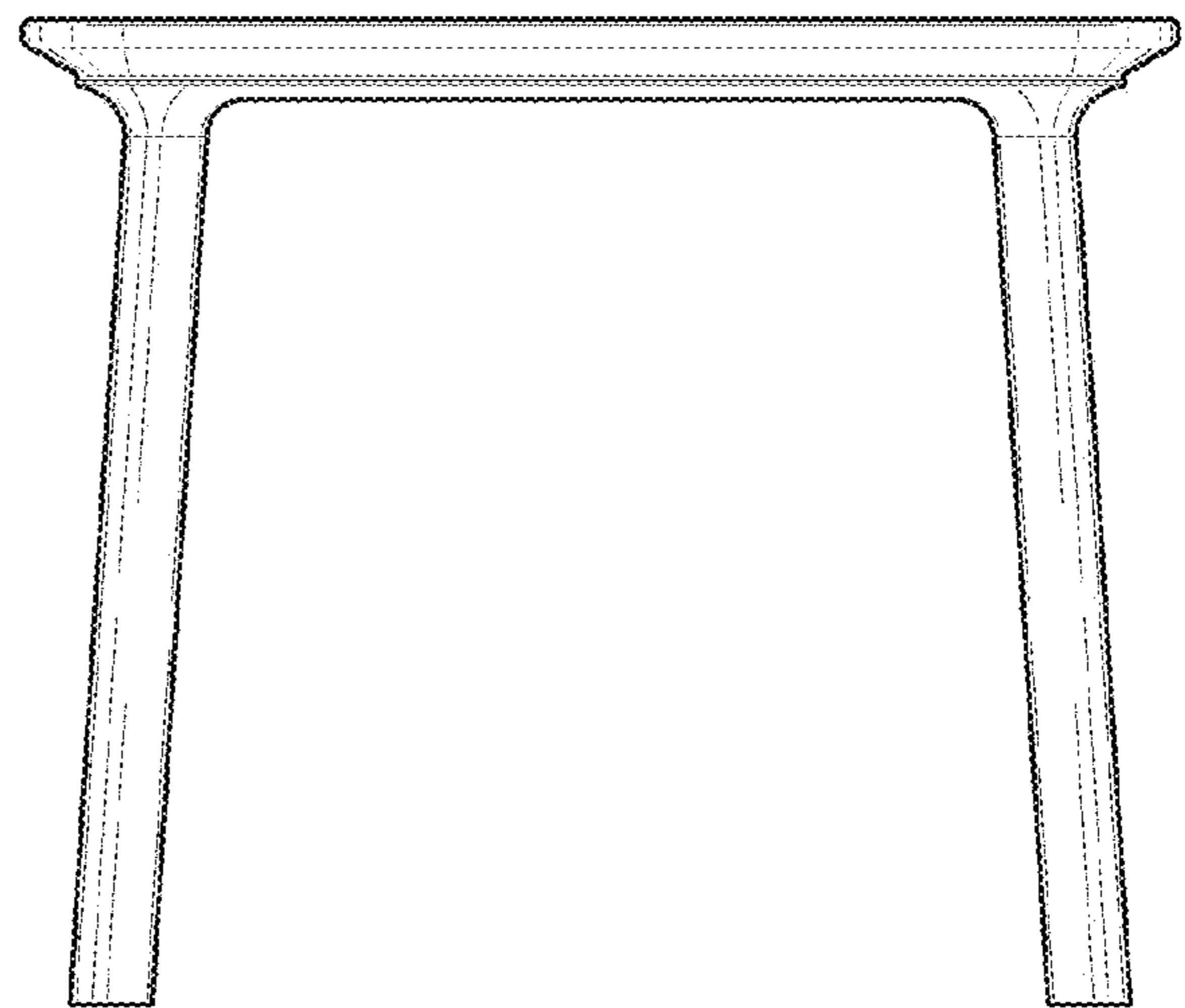
*FIG. 2*



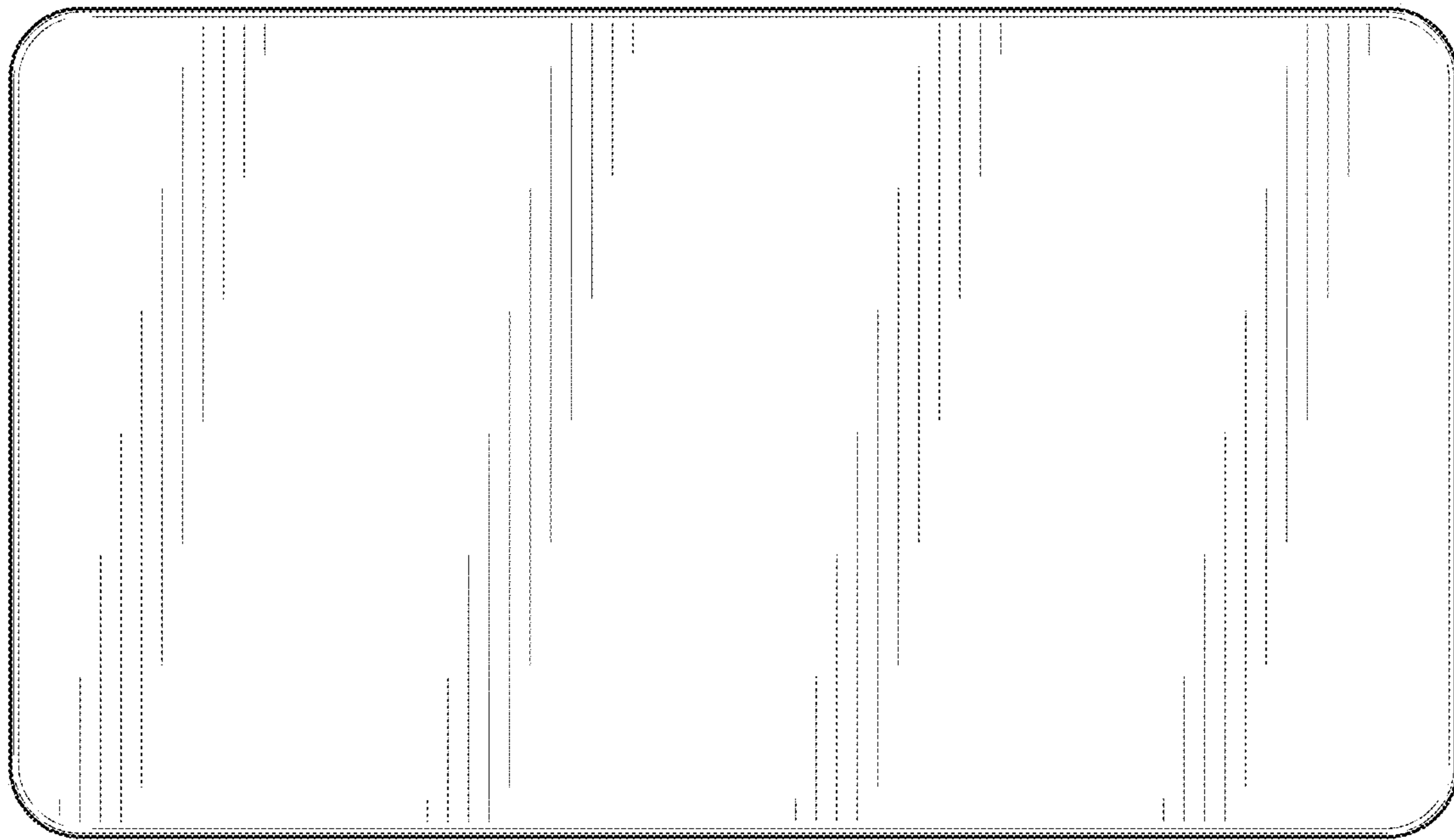
*FIG. 3*



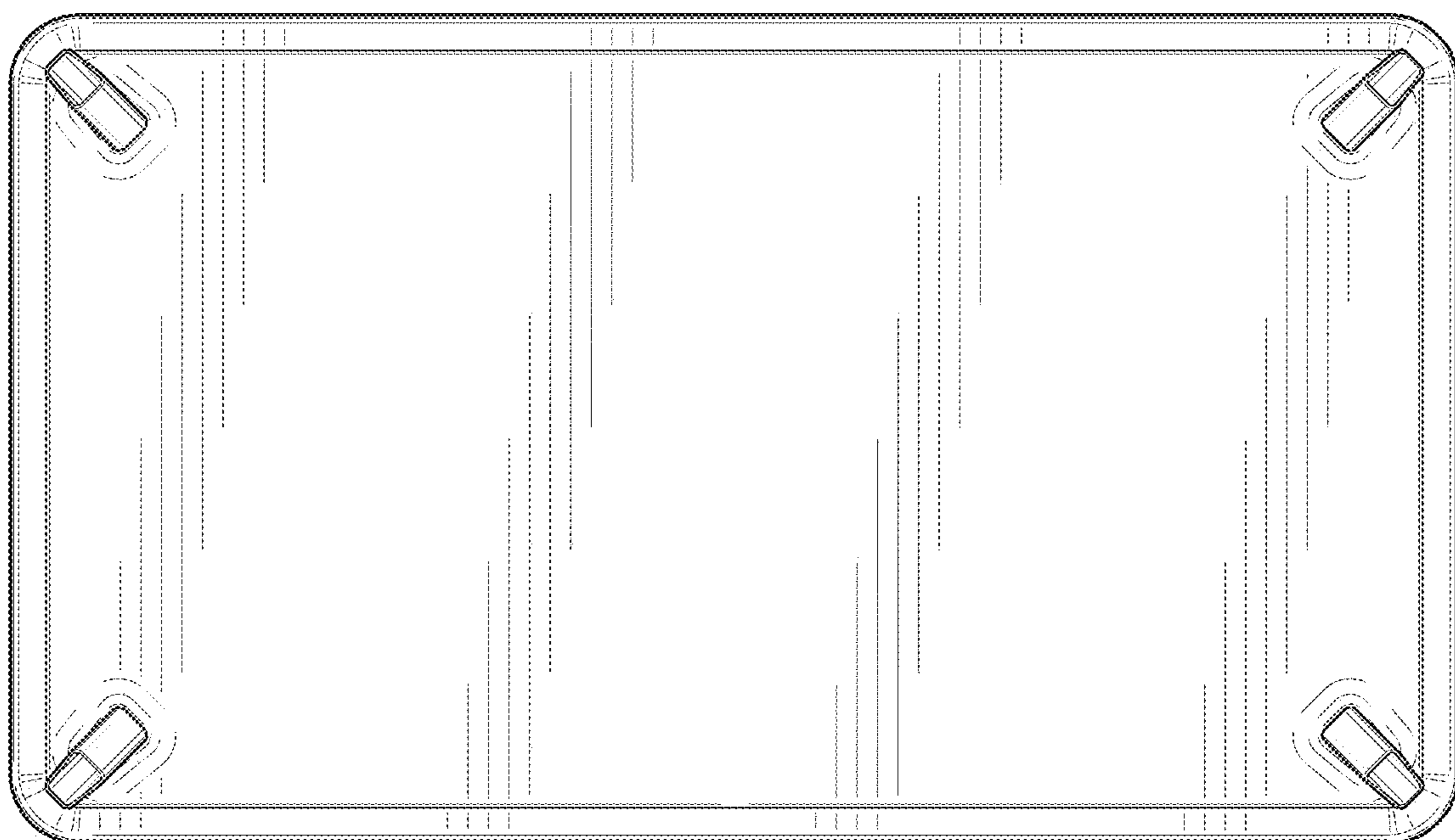
*FIG. 4*



*FIG. 5*



*FIG. 6*



*FIG. 7*