



US00D982362S

(12) **United States Design Patent**
Wang

(10) **Patent No.:** **US D982,362 S**
(45) **Date of Patent:** **** Apr. 4, 2023**

(54) **CABINET**

(71) Applicant: **Lifeng Wang**, Luoyang (CN)

(72) Inventor: **Lifeng Wang**, Luoyang (CN)

(**) Term: **15 Years**

(21) Appl. No.: **29/830,876**

(22) Filed: **Mar. 16, 2022**

(51) **LOC (14) Cl.** **06-04**

(52) **U.S. Cl.**
USPC **D6/671.1**

(58) **Field of Classification Search**
USPC D6/663, 664, 671, 671.1, 671.2, 671.3,
D6/671.4, 705, 705.2, 705.5
CPC A47B 47/00; A47B 17/04; A47B 45/00;
A47B 47/03; A47B 47/04; A47B 63/00;
A47B 67/00; A47B 67/04; A47B 88/00;
A47B 88/40; A47B 88/42; A47B 47/02;
A47B 47/05

See application file for complete search history.

(56) **References Cited**

U.S. PATENT DOCUMENTS

D243,902 S	*	4/1977	Carter	D6/671.1
D363,393 S	*	10/1995	Berry, Jr.	D6/671.2
D391,785 S	*	3/1998	Zaidman	D6/671.1
D499,581 S	*	12/2004	McDaniel	D6/671.2
D508,796 S	*	8/2005	Juneau	D6/671.1
D537,267 S	*	2/2007	Belhumeur	D6/671.1
D707,471 S	*	6/2014	Besseas	D6/671.1

OTHER PUBLICATIONS

SystemBuild Kendall 36" 2 Door/2 Drawer Storage Cabinet, White (7364401PCOM), quill.com, Retrieved Date: Jan. 11, 2023, p. 1, from <https://www.quill.com/systembuild-kendall-36-2-door-2-drawer-storage-cabinet-white-7364401pcom/cbs/51135892.html> (Year: 2023).*
Prepac Monterey White TV/Wardrobe Armoire, marianos.com, Retrieved Date: Jan. 11, 2023, p. 1, from <https://www.marianos.com/p/prepac-monterey-white-tv-wardrobe-armoire/0077239851044?fulfillment=SHIP> (Year: 2023).*

* cited by examiner

Primary Examiner — Mimosa De

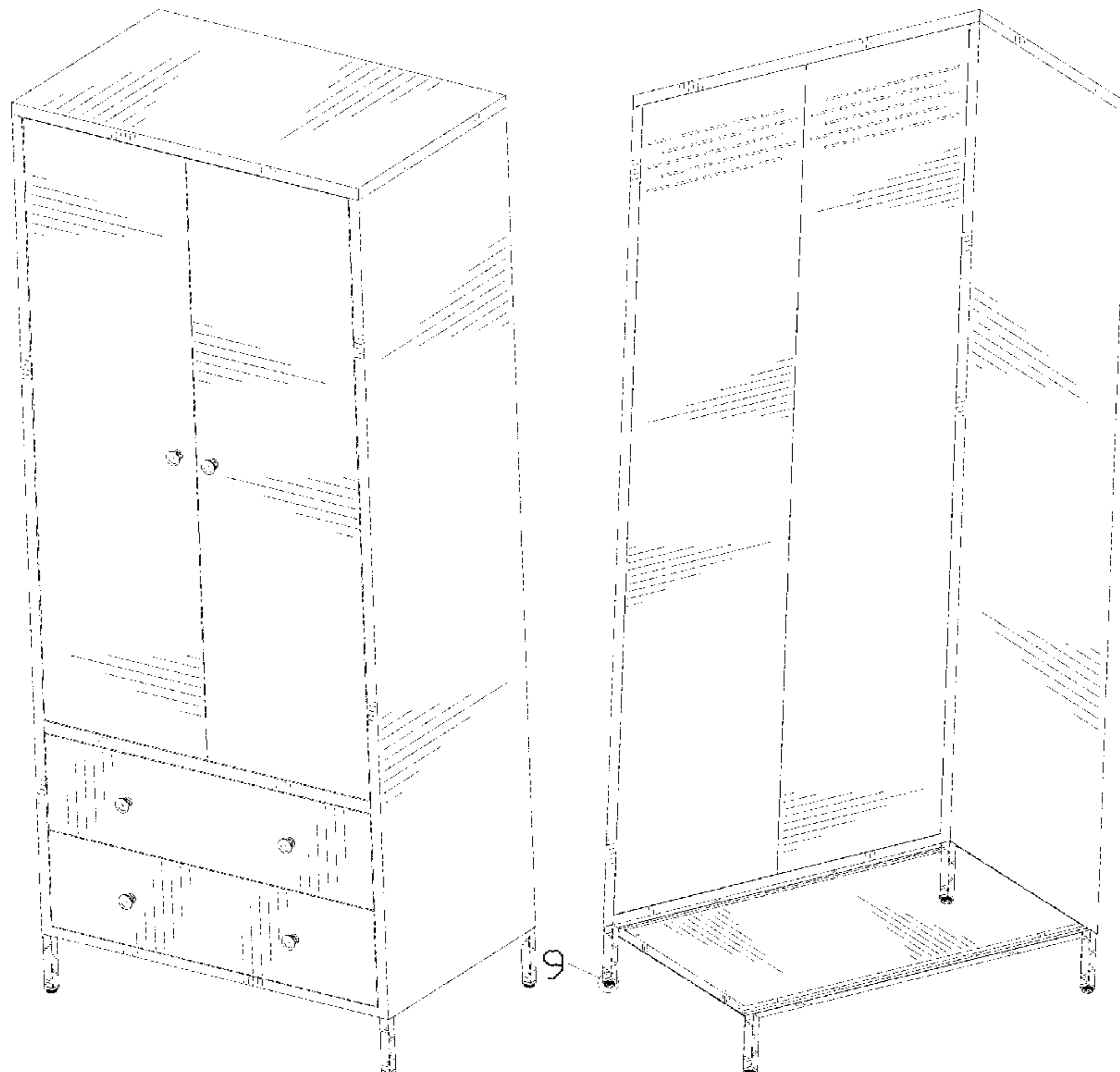
(57) **CLAIM**

The ornamental design for a cabinet, as shown and described.

DESCRIPTION

FIG. 1 is a perspective view of a cabinet showing my new design;
FIG. 2 is another perspective view thereof;
FIG. 3 is a front elevational view thereof;
FIG. 4 is a rear elevational view thereof;
FIG. 5 is a left side elevational view thereof;
FIG. 6 is a right side elevational view thereof;
FIG. 7 is a top plan view thereof;
FIG. 8 is a bottom plan view thereof; and,
FIG. 9 is an enlarged view of portion 9 shown in FIG. 2.
The dash-dash broken lines in the drawings depict portions of the cabinet that form no part of the claimed design. The dot-dash broken lines represent the boundary of the enlarged portion and form no part of the claimed design.

1 Claim, 9 Drawing Sheets



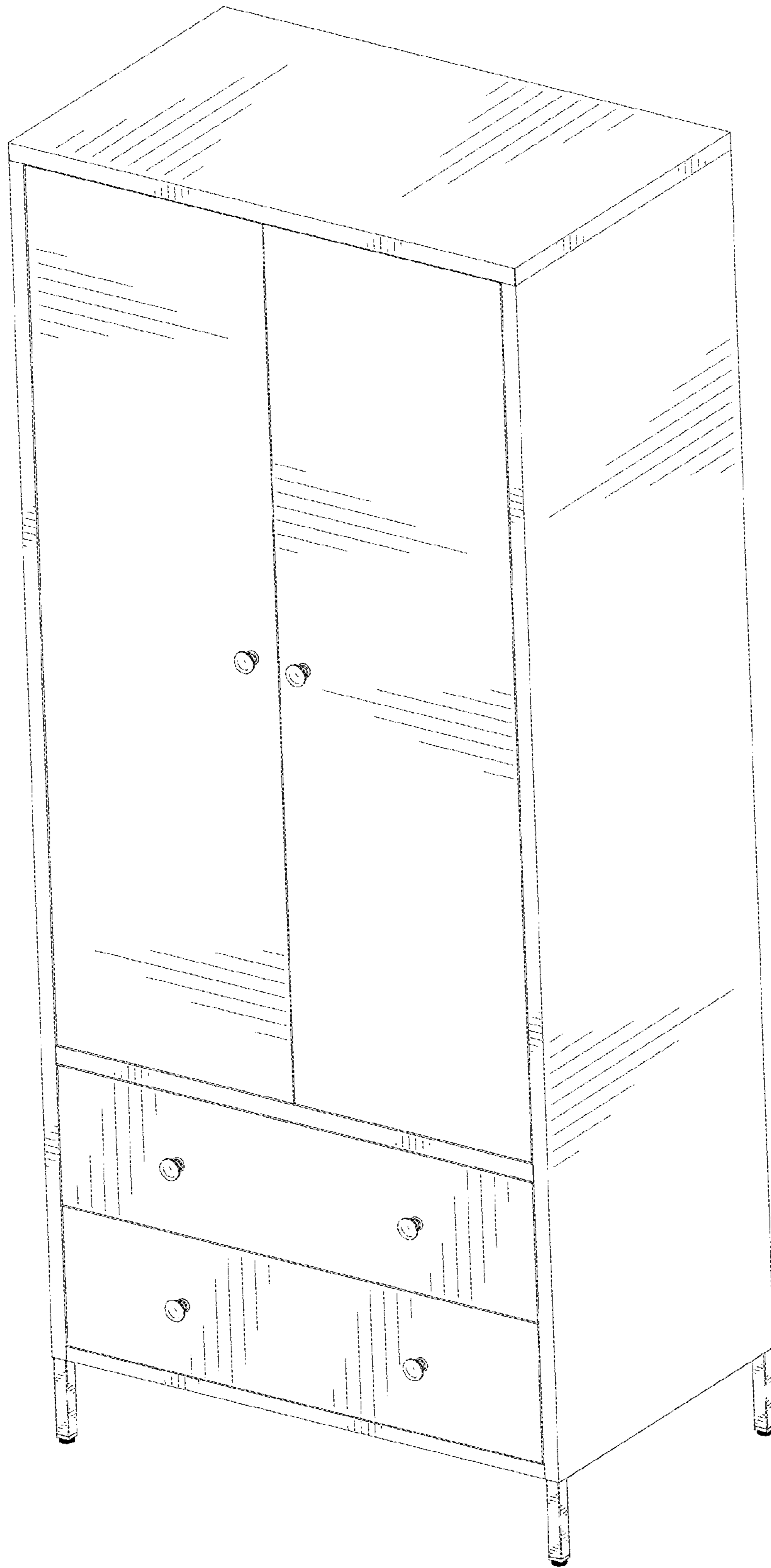


FIG. 1

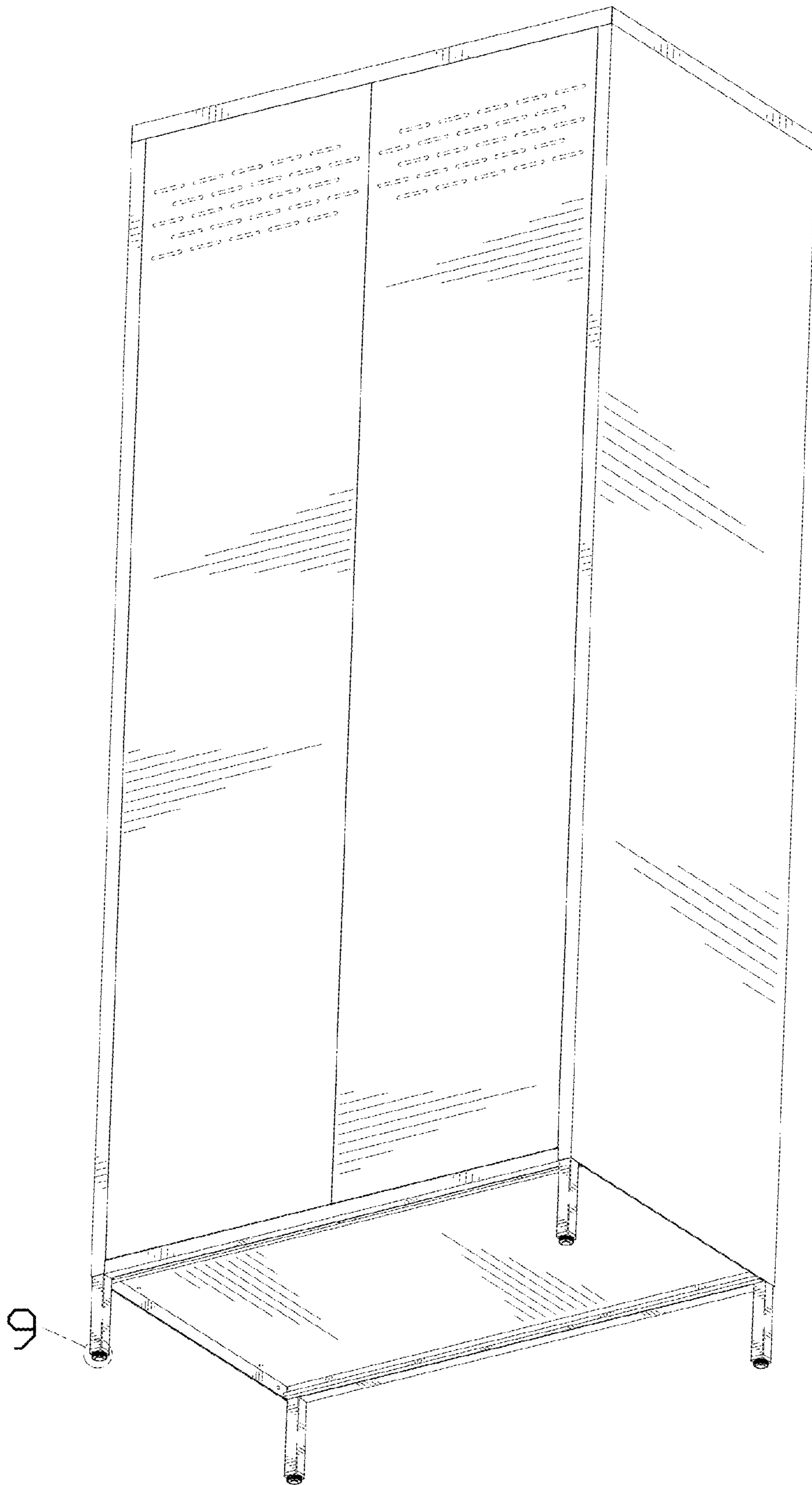


FIG. 2

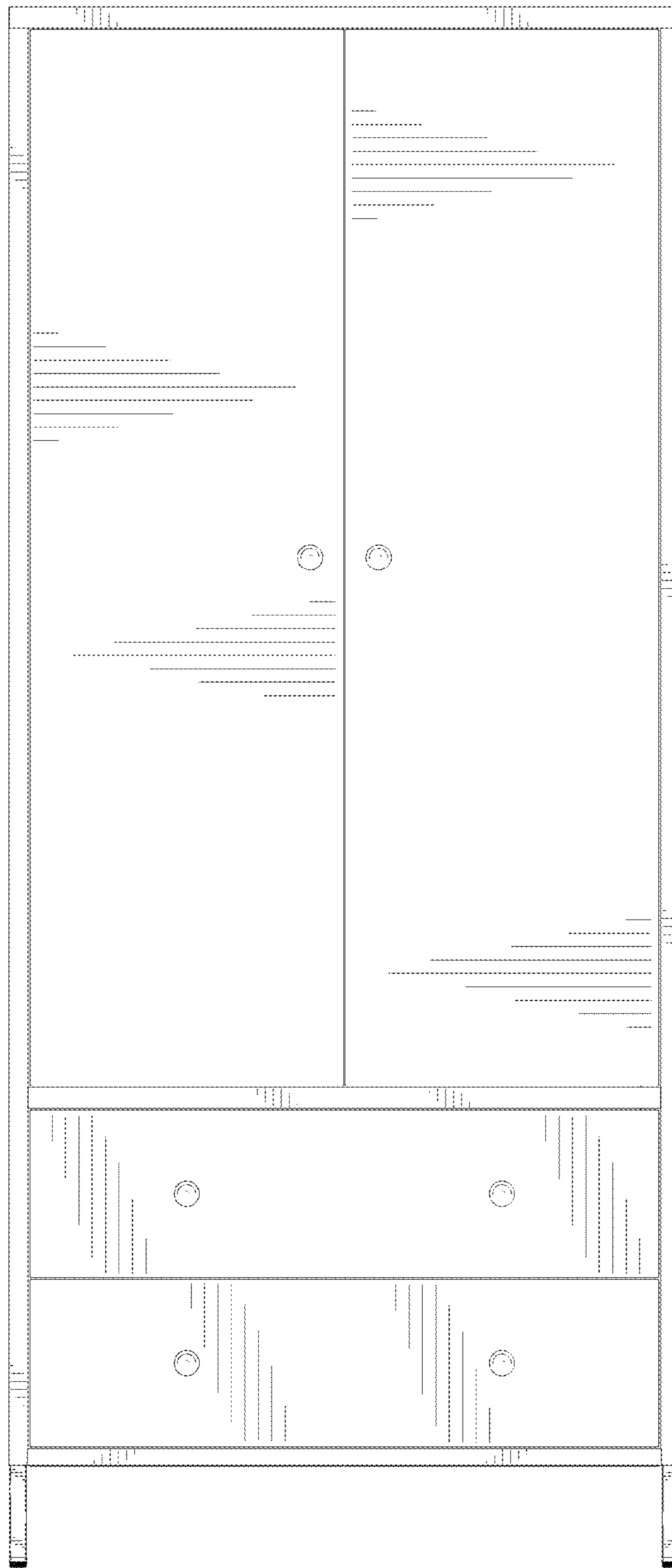


FIG. 3

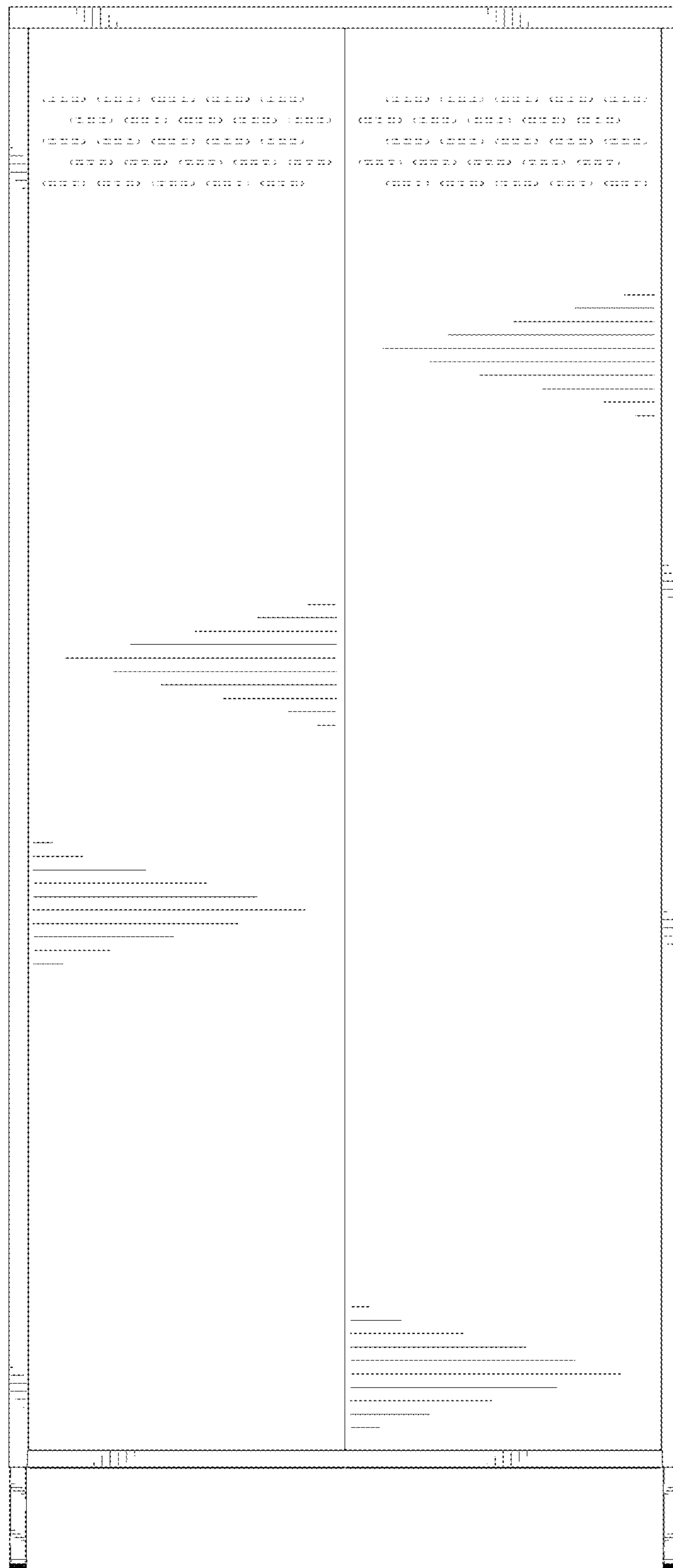


FIG. 4

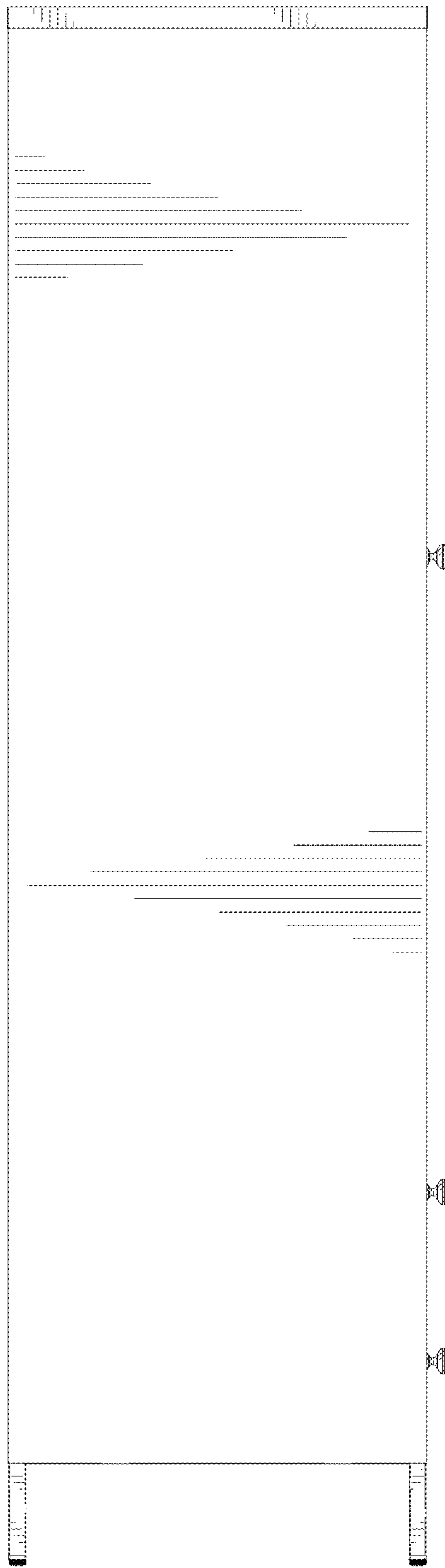


FIG. 5

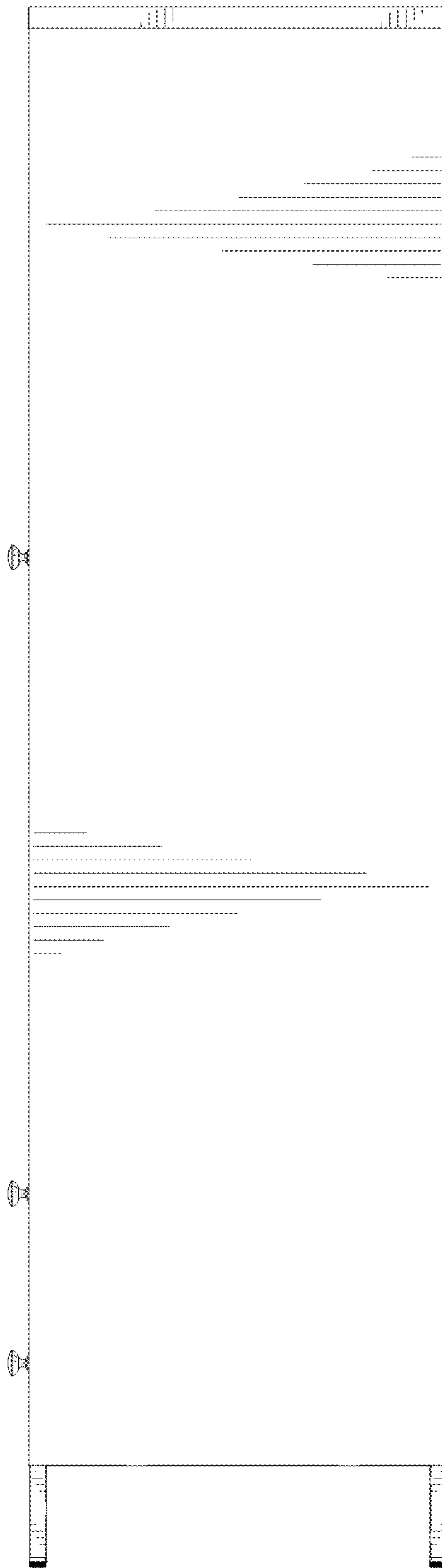


FIG. 6

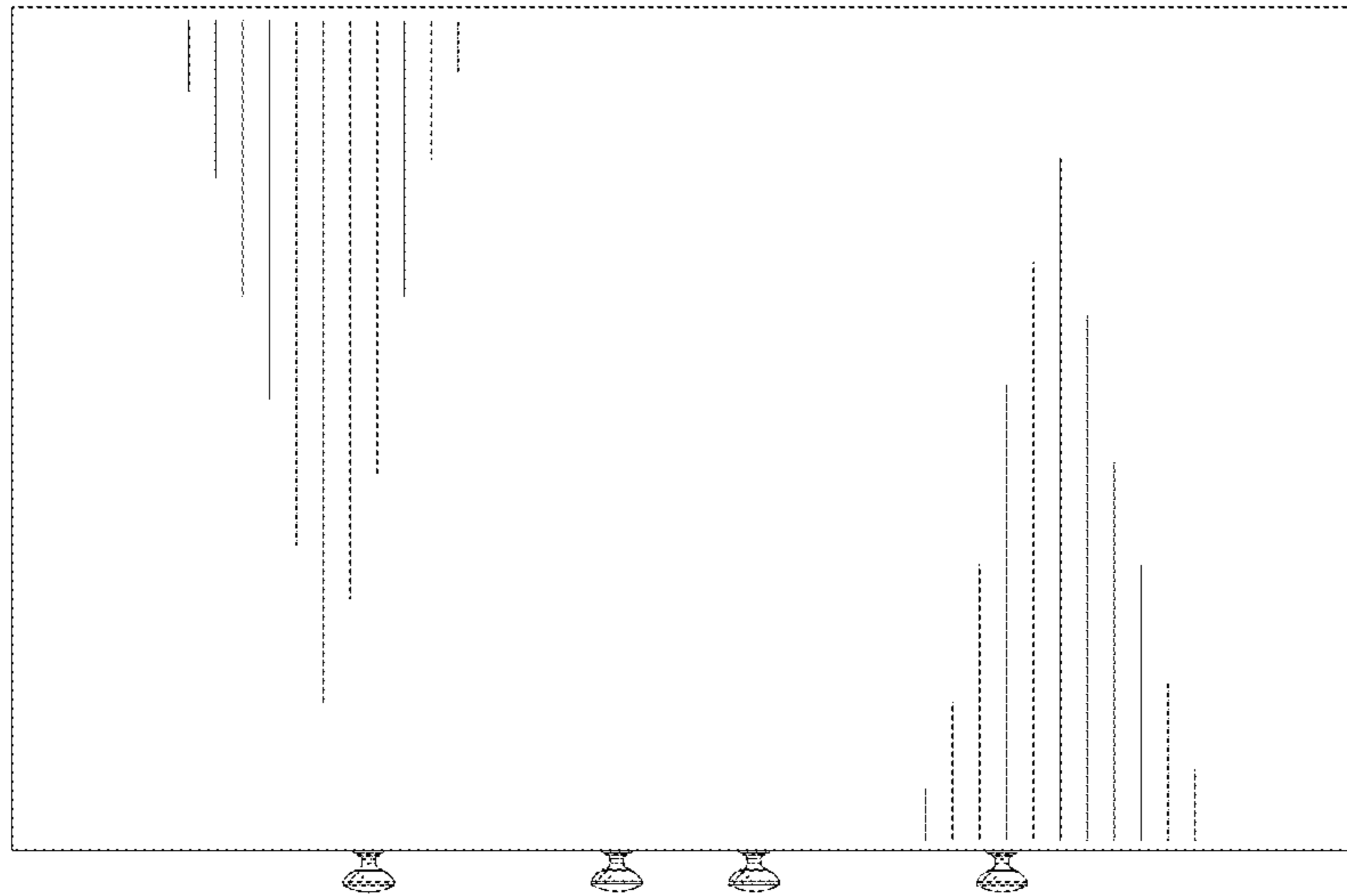


FIG. 7

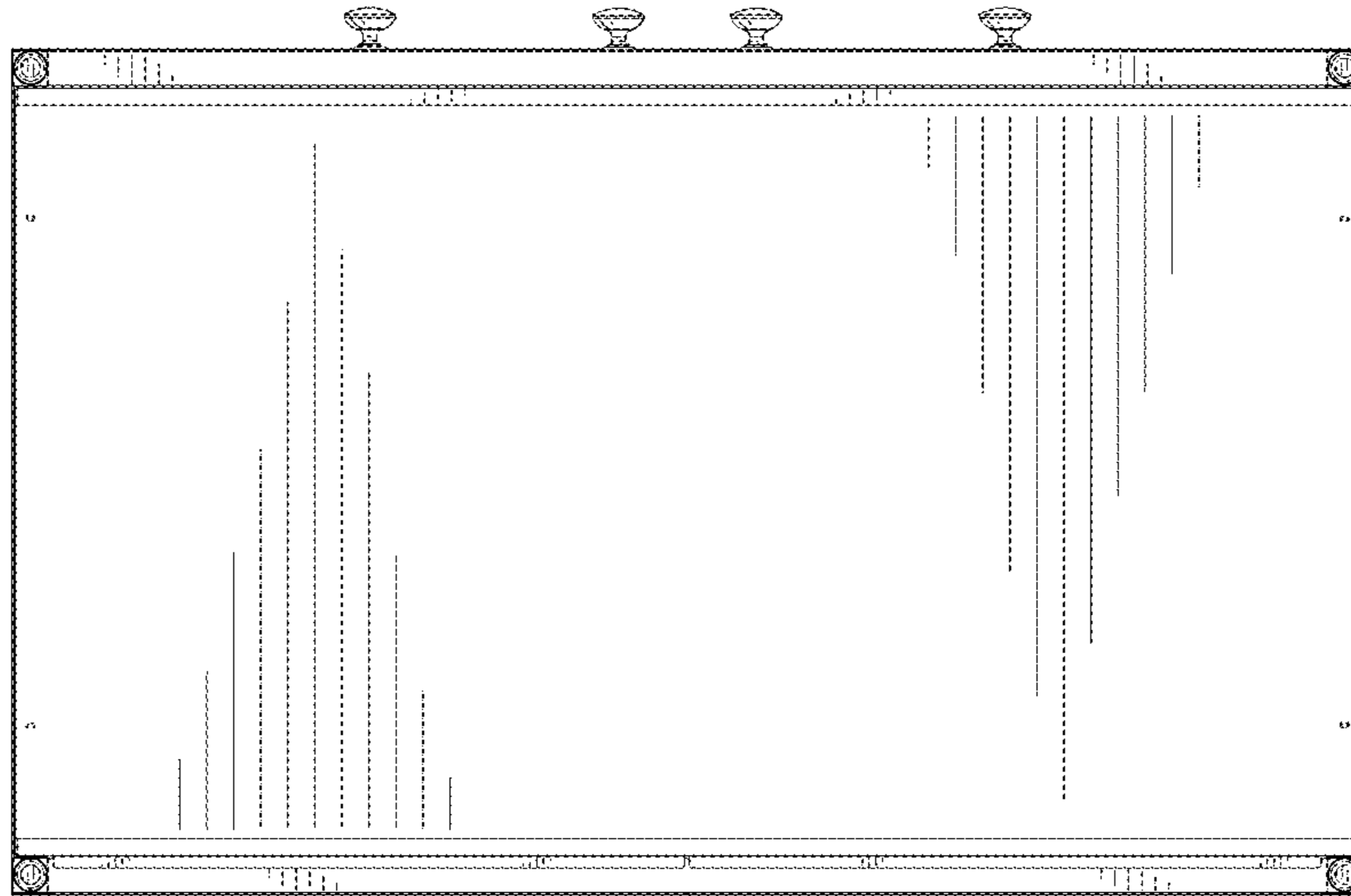


FIG. 8

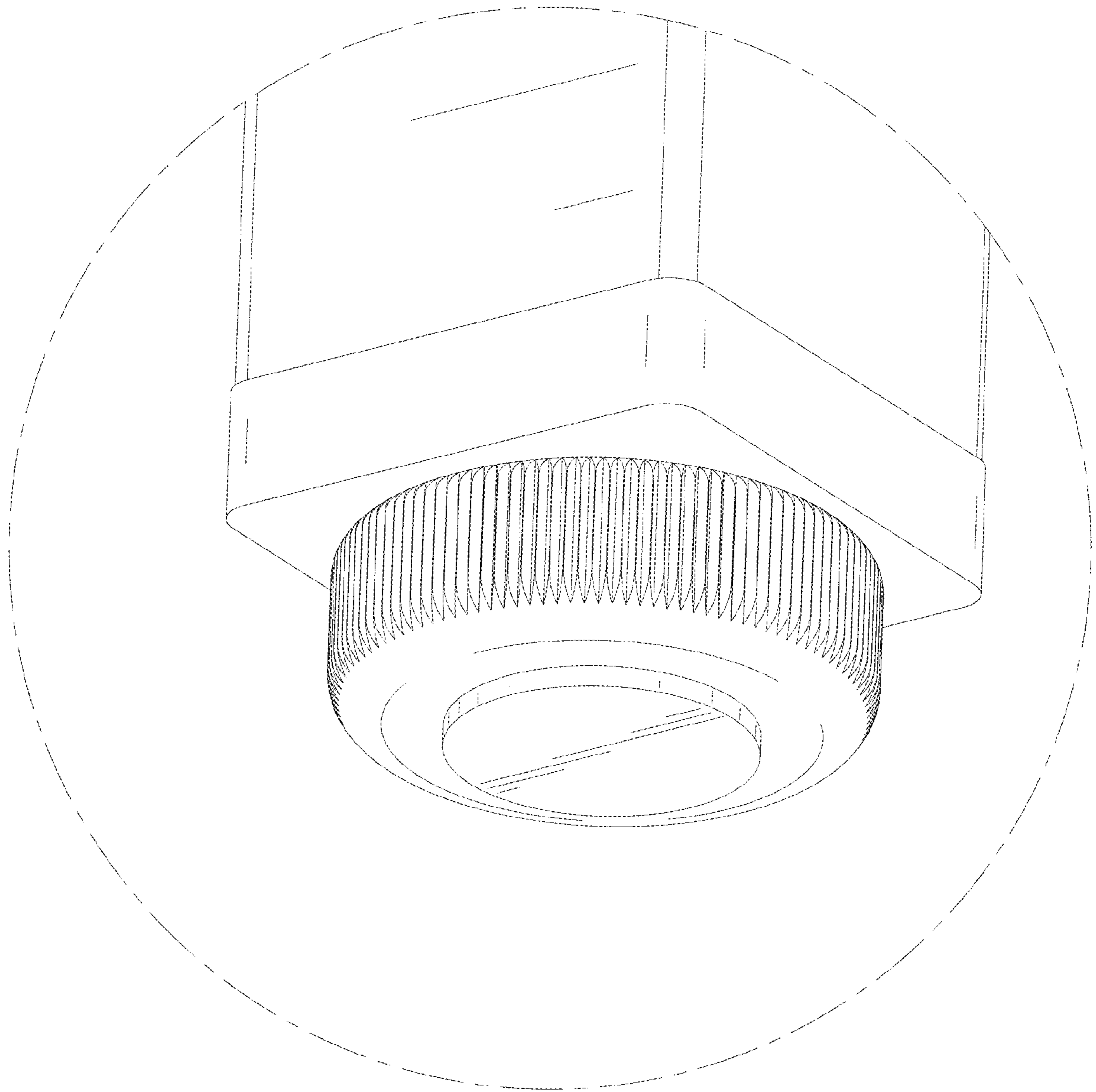


FIG. 9