



US00D982351S

(12) **United States Design Patent** (10) **Patent No.:** **US D982,351 S**
Bacal (45) **Date of Patent:** **** Apr. 4, 2023**

(54) **ROLLER SHADE CASSETTE COVER**
(71) Applicant: **Vertilux Limited**, Medley, FL (US)
(72) Inventor: **Shike Bacal**, Miramar, FL (US)
(73) Assignee: **VERTILUX LIMITED**, Medley, FL (US)
(**) Term: **15 Years**

4,122,559 A 10/1978 Kelly
4,197,896 A 4/1980 Reichstadt
D259,810 S 7/1981 Dallaire
(Continued)

FOREIGN PATENT DOCUMENTS

AU 2009203048 10/2015
BG 6230-0011 9/2006
(Continued)

(21) Appl. No.: **29/755,755**
(22) Filed: **Oct. 22, 2020**

OTHER PUBLICATIONS

Bing Search, <http://www.quebanana.com/tienda/ver/herrajesmarino/145224>, Aug. 22, 2013.
(Continued)

Related U.S. Application Data

(63) Continuation-in-part of application No. 29/699,110, filed on Jul. 23, 2019, now abandoned, which is a continuation-in-part of application No. 29/538,170, filed on Sep. 1, 2015, now Pat. No. Des. 878,103.
(51) **LOC (14) Cl.** **06-10**
(52) **U.S. Cl.**
USPC **D6/580**
(58) **Field of Classification Search**
USPC D6/575-577, 580-581; D13/155; D26/138
CPC A47H 1/14; A47H 1/142; A47H 1/144; A47H 11/04; E06B 9/323; E06B 9/388; E06B 9/42; E06B 9/46; E06B 9/48
See application file for complete search history.

Primary Examiner — Kevin K Rudzinski
Assistant Examiner — Clare Ann Gannon
(74) *Attorney, Agent, or Firm* — Malloy & Malloy, PL

(57) **CLAIM**

The ornamental design for a roller shade cassette cover, as shown and described.

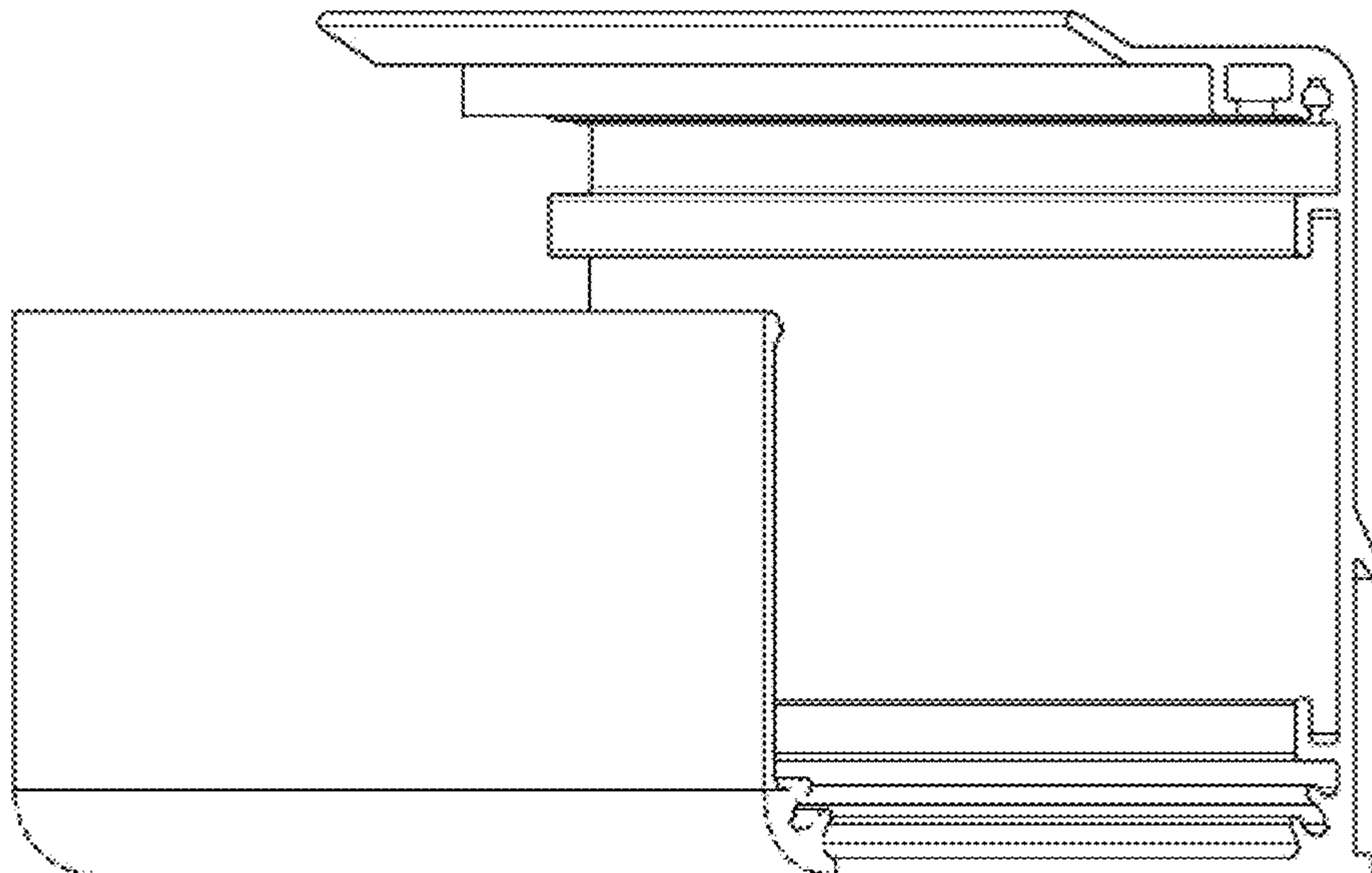
DESCRIPTION

FIG. 1 is a front perspective view illustrating my design for a roller shade cassette cover;
FIG. 2 is a front perspective view thereof;
FIG. 3 is a right side view thereof;
FIG. 4 is a left side view thereof;
FIG. 5 is a top view thereof;
FIG. 6 is a top perspective view thereof;
FIG. 7 is a rear view thereof;
FIG. 8 is a rear perspective view thereof;
FIG. 9 is a bottom view thereof; and,
FIG. 10 is a bottom perspective view thereof.
The broken lines in the drawings depict boundaries and environmental structure that form no part of the design to be patented.

(56) **References Cited**
U.S. PATENT DOCUMENTS

1,909,109 A 5/1933 Kopfstein
2,549,905 A 4/1951 Jablon
3,297,075 A 1/1967 Howell et al.
3,402,421 A 9/1968 Weber
3,417,519 A 12/1968 Hitter
3,454,073 A 7/1969 Man
3,524,491 A 8/1970 Olson

1 Claim, 7 Drawing Sheets



(56)

References Cited

U.S. PATENT DOCUMENTS

D260,183 S	8/1981	Dallaire	8,220,520 B2	7/2012	Lukos
4,393,915 A	7/1983	Olson	D675,050 S	1/2013	Garcia
D271,055 S	10/1983	Cascone et al.	D680,357 S	4/2013	Wills et al.
4,452,294 A	6/1984	Fukuchi	8,480,048 B2	7/2013	Krantz-Lilienthal
D294,321 S	2/1988	Olofsson	8,528,623 B2	9/2013	Roberts
4,840,216 A	6/1989	John	D691,398 S	10/2013	Chou
4,935,988 A	6/1990	Ford et al.	D692,685 S	11/2013	Chou
4,987,943 A	1/1991	Charest	D694,039 S	11/2013	Licciardi Di Stefano
5,137,073 A	8/1992	Huang	D694,040 S	11/2013	Di Stefano
5,232,039 A	8/1993	Shapiro et al.	8,584,317 B2	11/2013	Liebscher et al.
5,259,687 A	11/1993	John	D695,042 S	12/2013	Licciardi Di Stefano
5,271,687 A	12/1993	Holka et al.	D697,335 S	1/2014	Dekker et al.
D345,498 S	3/1994	Fraser et al.	D699,976 S	2/2014	Chou
5,296,964 A	3/1994	Shopp	D710,128 S	8/2014	Garcia
5,330,821 A	7/1994	Lo	D715,629 S	10/2014	Grubb et al.
D353,209 S	12/1994	Dallaire et al.	8,960,621 B2	2/2015	Wills
D355,094 S	2/1995	Josephson	D727,659 S	4/2015	Kao
D355,604 S	2/1995	De Baschmakoff	9,004,142 B2	4/2015	Marocco
5,647,421 A	7/1997	Hoffman et al.	9,038,696 B2	5/2015	Lava et al.
D382,651 S	8/1997	Colitto	9,060,636 B2	6/2015	Cannaverde
D382,652 S	8/1997	Colitto	D740,589 S	10/2015	Ng
5,803,144 A	9/1998	Ives	D742,138 S	11/2015	Chou
D405,194 S	2/1999	Kenkel	9,175,512 B2	11/2015	Lu et al.
5,924,255 A	7/1999	Vagedes	D753,933 S	4/2016	Ng
5,975,186 A	11/1999	Day	D759,400 S	6/2016	Watkins
D429,588 S	8/2000	Smederod	D762,398 S	8/2016	Ng
6,111,694 A	8/2000	Shopp	9,498,079 B2	11/2016	Sanchuk
6,173,825 B1	1/2001	Liu	D775,939 S	1/2017	Ng
6,196,508 B1	3/2001	Nijs	D780,945 S	3/2017	Guillemi
6,202,967 B1	3/2001	Fraczek	D789,454 S	6/2017	Prisnie
D440,099 S	4/2001	Hortsen	D791,580 S	7/2017	Chou
6,230,782 B1	5/2001	Reichert	D793,765 S	8/2017	Chou
6,234,233 B1	5/2001	Biro	D798,133 S	9/2017	Ng
6,269,909 B1	8/2001	Grimes et al.	D808,684 S	1/2018	Santilli
6,408,922 B2	6/2002	Desrochers	D808,685 S	1/2018	Raiti
D468,453 S	1/2003	Schrader	D813,570 S	3/2018	Santilli
6,532,109 B1	3/2003	Shopp	9,976,346 B2	5/2018	Ng
D479,934 S	9/2003	Colson et al.	D822,228 S *	7/2018	Wang E06B 9/56
6,666,251 B2	12/2003	Ikle			D25/119
D489,209 S	5/2004	Goldberg	D828,052 S *	9/2018	Bouroullec D6/580
6,739,373 B1	5/2004	Liu et al.	D833,175 S *	11/2018	Miroshnichenko D6/580
D492,809 S	7/2004	Weitgasser	D843,130 S	3/2019	Bacal
D494,401 S	8/2004	Davies et al.	D843,131 S	3/2019	Chou
6,817,399 B2	11/2004	Berman et al.	10,309,153 B2	6/2019	McPherson et al.
6,817,402 B1	11/2004	Fraczek et al.	D854,192 S	7/2019	Rokvic
6,978,821 B2	12/2005	Welfonder	D854,855 S *	7/2019	Garcia Garcia D6/580
7,048,028 B2	5/2006	Wolfe et al.	D854,856 S *	7/2019	Garcia Garcia D6/580
D530,967 S	10/2006	Smith	10,544,621 B2	1/2020	Mocanu et al.
7,141,164 B2	11/2006	Slack et al.	D878,103 S *	3/2020	Bacal D6/580
7,168,475 B2	1/2007	Colson et al.	10,619,412 B2	4/2020	Chen et al.
D537,173 S	2/2007	Westphal et al.	D885,084 S	5/2020	Chiquin
7,195,052 B2	3/2007	Nien et al.	10,648,230 B2	5/2020	Holt et al.
D542,068 S	5/2007	Watkins et al.	D911,064 S	2/2021	Holt et al.
7,210,513 B2	5/2007	Goldenberg et al.	D920,004 S	5/2021	Chiquin
D557,116 S	12/2007	Zakowski	D936,388 S *	11/2021	Schwandt D6/580
7,353,857 B2	4/2008	Koop	D940,477 S	1/2022	Chiquin
7,367,536 B1	5/2008	Anderson et al.	11,332,974 B2	5/2022	Chiquin
7,380,582 B1	6/2008	Anderson et al.	D970,254 S	11/2022	Chiquin
D573,267 S	7/2008	Brinton et al.	2003/0178276 A1	9/2003	Fraczek et al.
D577,138 S	9/2008	Kitagawa et al.	2004/0129391 A1	7/2004	Gottschall et al.
D591,442 S	4/2009	Ford et al.	2004/0182522 A1	9/2004	Strand et al.
D596,435 S	7/2009	Wills	2005/0247413 A1	11/2005	Nien et al.
D599,051 S	8/2009	Wu et al.	2005/0269044 A1	12/2005	Nien
D604,885 S	11/2009	Ford et al.	2006/0000559 A1	1/2006	Bohlen
7,614,439 B2	11/2009	Lukos	2006/0049325 A1	3/2006	Jung
D616,567 S	5/2010	Desrosiers et al.	2006/0086874 A1	4/2006	Habel et al.
D616,568 S	5/2010	Desrosiers et al.	2006/0113046 A1	6/2006	Prince et al.
7,770,625 B2	8/2010	Lukos	2006/0243402 A1	11/2006	Chang
D628,715 S *	12/2010	Gosling E06B 9/17015	2007/0169900 A1	7/2007	Chen et al.
		D25/121	2007/0221344 A1	9/2007	Beach et al.
D634,573 S	3/2011	Risher	2007/0284051 A1	12/2007	Grimes et al.
7,921,602 B2	4/2011	Ohanesian	2008/0035281 A1	2/2008	Kirby
7,997,041 B2	8/2011	Slack et al.	2008/0121353 A1	5/2008	Detmer et al.
D652,568 S	1/2012	Trzesniowski	2008/0245489 A1	10/2008	Chuang et al.
8,136,569 B2	3/2012	Bohlen et al.	2009/0229767 A1	9/2009	Mullet et al.
			2009/0250177 A1	10/2009	Byeon
			2009/0258752 A1	10/2009	Bohlen et al.
			2010/0101741 A1	4/2010	Koop
			2010/0175838 A1	7/2010	Faller et al.

(56)

References Cited

U.S. PATENT DOCUMENTS

2010/0300631 A1 12/2010 Sullivan
 2011/0006176 A1 1/2011 Krantz-Lilienthal
 2011/0049071 A1 3/2011 Hart et al.
 2011/0114809 A1 5/2011 Ng
 2012/0012262 A1 1/2012 Santoro et al.
 2012/0031572 A1 2/2012 Ng et al.
 2012/0061034 A1 3/2012 Ng
 2012/0097346 A1 4/2012 Ng
 2012/0255686 A1 10/2012 Huang
 2013/0048229 A1 2/2013 Dwarka
 2013/0068405 A1 3/2013 Lava et al.
 2013/0098563 A1 4/2013 Jang
 2013/0176743 A1 7/2013 Pfund et al.
 2014/0009519 A1 1/2014 Kumagai et al.
 2014/0048218 A1 2/2014 Ng
 2014/0251558 A1 9/2014 Chou
 2014/0262076 A1 9/2014 Mullet et al.
 2014/0305602 A1 10/2014 Kirby et al.
 2014/0352897 A1 12/2014 Mullet et al.
 2015/0027059 A1 1/2015 Lu et al.
 2015/0047792 A1 2/2015 Lukosiunas et al.
 2015/0075726 A1 3/2015 Byun
 2015/0240851 A1 10/2015 Giacometti et al.
 2015/0275571 A1 10/2015 Guhl
 2015/0292261 A1 10/2015 Chou
 2015/0292262 A1 10/2015 Miller et al.
 2015/0297014 A1 10/2015 Cannaverde
 2015/0368970 A1 12/2015 Chambers et al.
 2016/0032646 A1 2/2016 Fleischman
 2016/0051074 A1 2/2016 Choue
 2016/0090779 A1 3/2016 Nurre et al.
 2016/0130869 A1 5/2016 Cheng
 2016/0298375 A1 10/2016 Wagner et al.
 2016/0326800 A1 11/2016 Marocco
 2016/0340972 A1 11/2016 Chou
 2017/0009519 A1 1/2017 Marocco
 2017/0079459 A1 3/2017 Filko
 2017/0114593 A1 4/2017 Hebeisen et al.
 2018/0087319 A1 3/2018 McPherson et al.
 2018/0202157 A1 7/2018 Neal
 2018/0310745 A1 11/2018 Giri et al.
 2018/0313147 A1 11/2018 Krantz-Lilienthal et al.
 2019/0186198 A1 6/2019 Kirby

2019/0249488 A1 8/2019 Campagna
 2019/0264499 A1 8/2019 McNeill et al.
 2019/0352963 A1 11/2019 Jang
 2020/0131846 A1* 4/2020 Hebeisen E06B 9/56
 2020/0185965 A1 6/2020 Poirier et al.
 2020/0208464 A1* 7/2020 Guest E06B 9/17015
 2020/0284093 A1 9/2020 Dahlgren et al.
 2020/0355026 A1 11/2020 Liu
 2021/0131179 A1 5/2021 Campagna et al.
 2021/0222490 A1 7/2021 Campagna et al.
 2021/0310299 A1 10/2021 Chiquin
 2022/0003041 A1 1/2022 Graybar et al.

FOREIGN PATENT DOCUMENTS

BG 6230-0016 9/2006
 BR 3020120013798 2/2013
 BR 3020120056900 3/2016
 CN 2012300548304 3/2013
 CN 2012303568969 4/2013
 CO 07051520 5/2007
 CO 282 7/2012
 EM 000113899-0003 4/2003
 EM 000275839-0002 12/2004
 EM 000279633-0001 1/2005
 EM 000518923-0001 4/2006
 EM 000795752-0001 9/2007
 EM 001084370-0013 2/2009
 EM 001102875-0002 3/2009
 EM 0013369940001 7/2012
 EM 003342013-0012 8/2016
 GB 2052622 12/1995
 GB 2391577 2/2004
 MX 38640 5/2013
 PE 002031-2018 1/2019
 WO WOD068016-0004 6/2006
 WO WOD086931-0004 6/2015

OTHER PUBLICATIONS

Rollashade, Rollashade Contract Series, Feb. 5, 2018.
 Rolleaseacmeda, System Quick Reference Guide; https://www.rolleaseacmeda.com/docs/default-source/default-document-library/edge-side-channels_qrg_us_v1-0.pdf?sfvrsn=0&sfvrsn=0, Feb. 5, 2018.

* cited by examiner

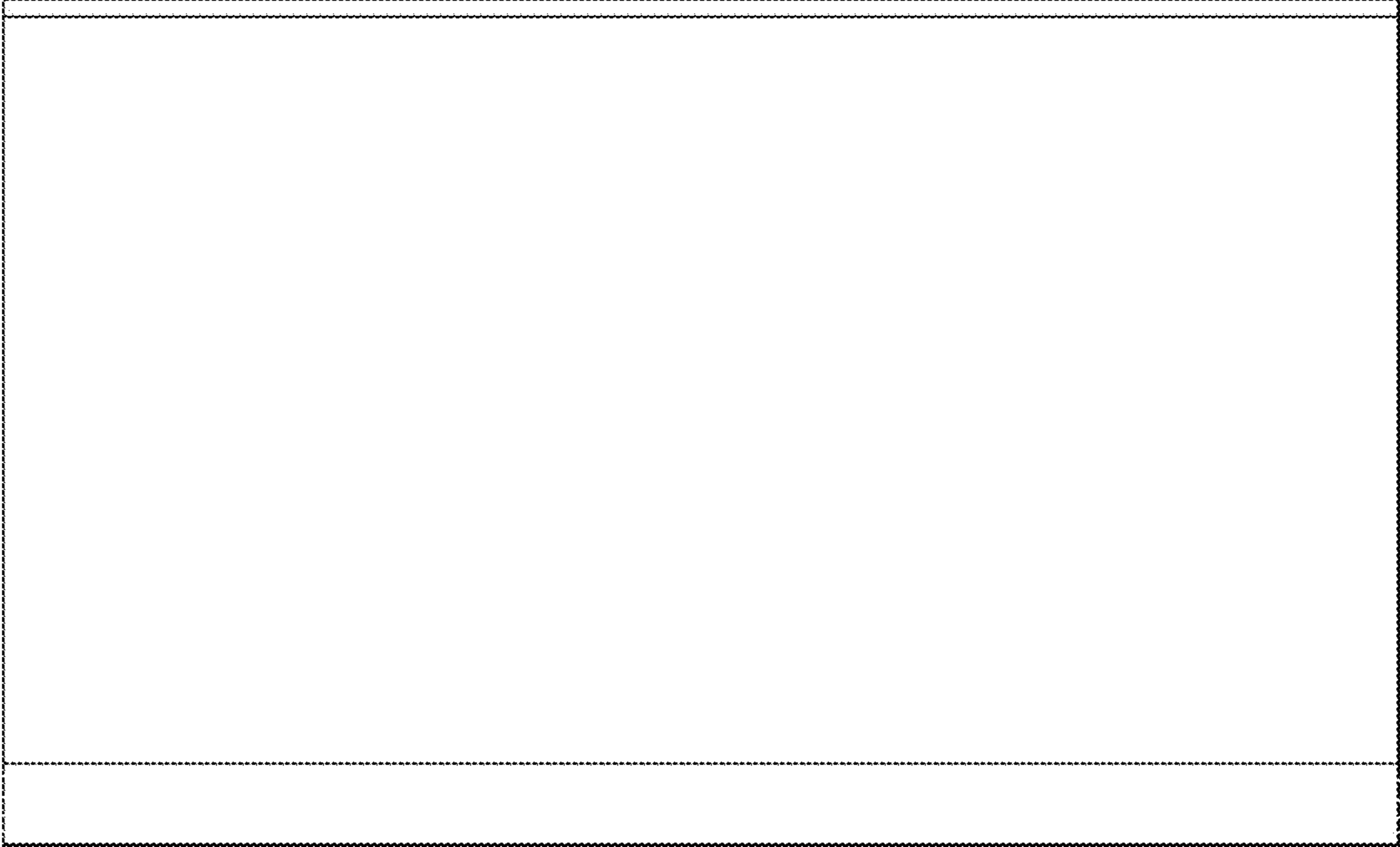


FIG. 1

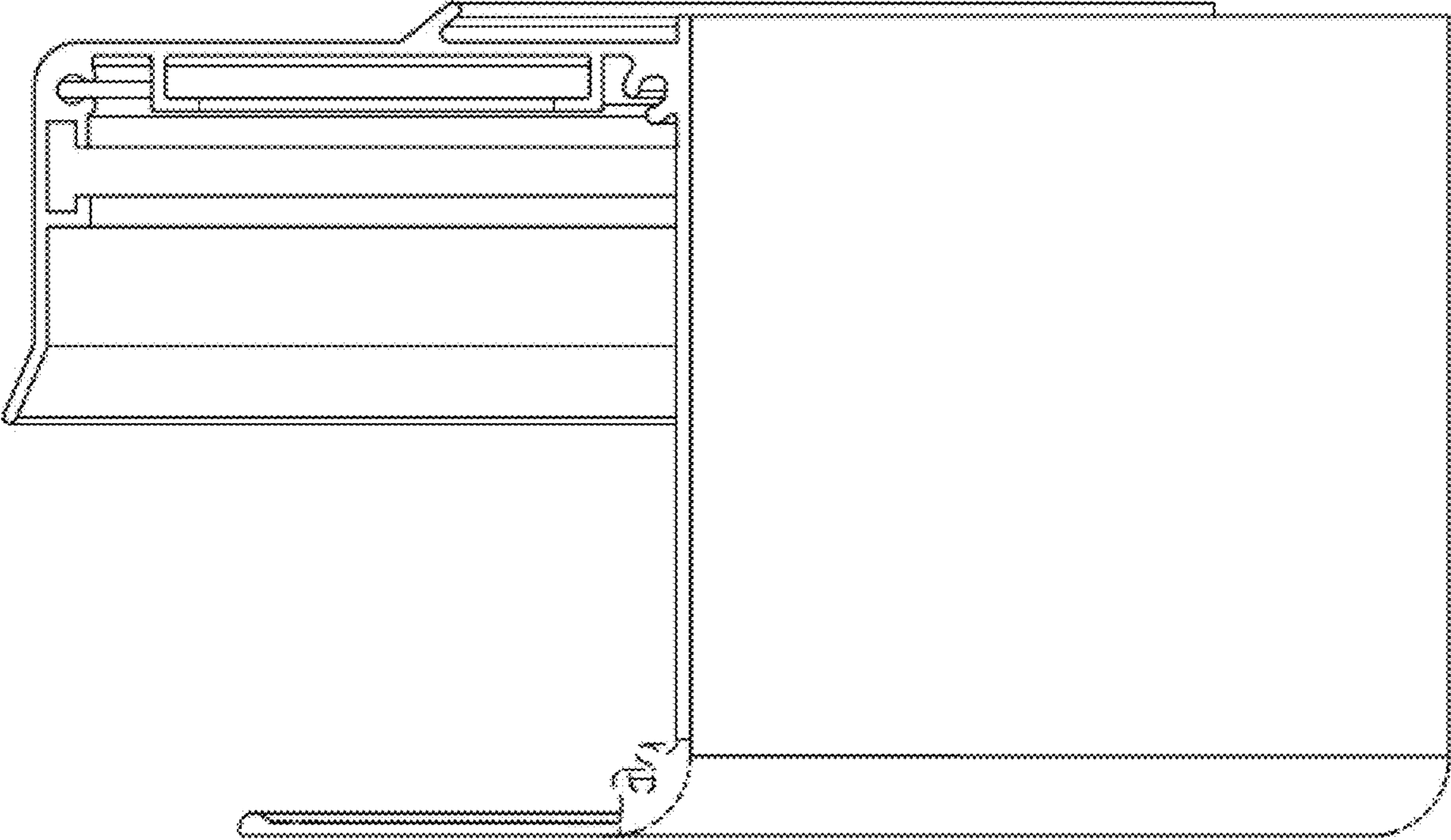


FIG. 2

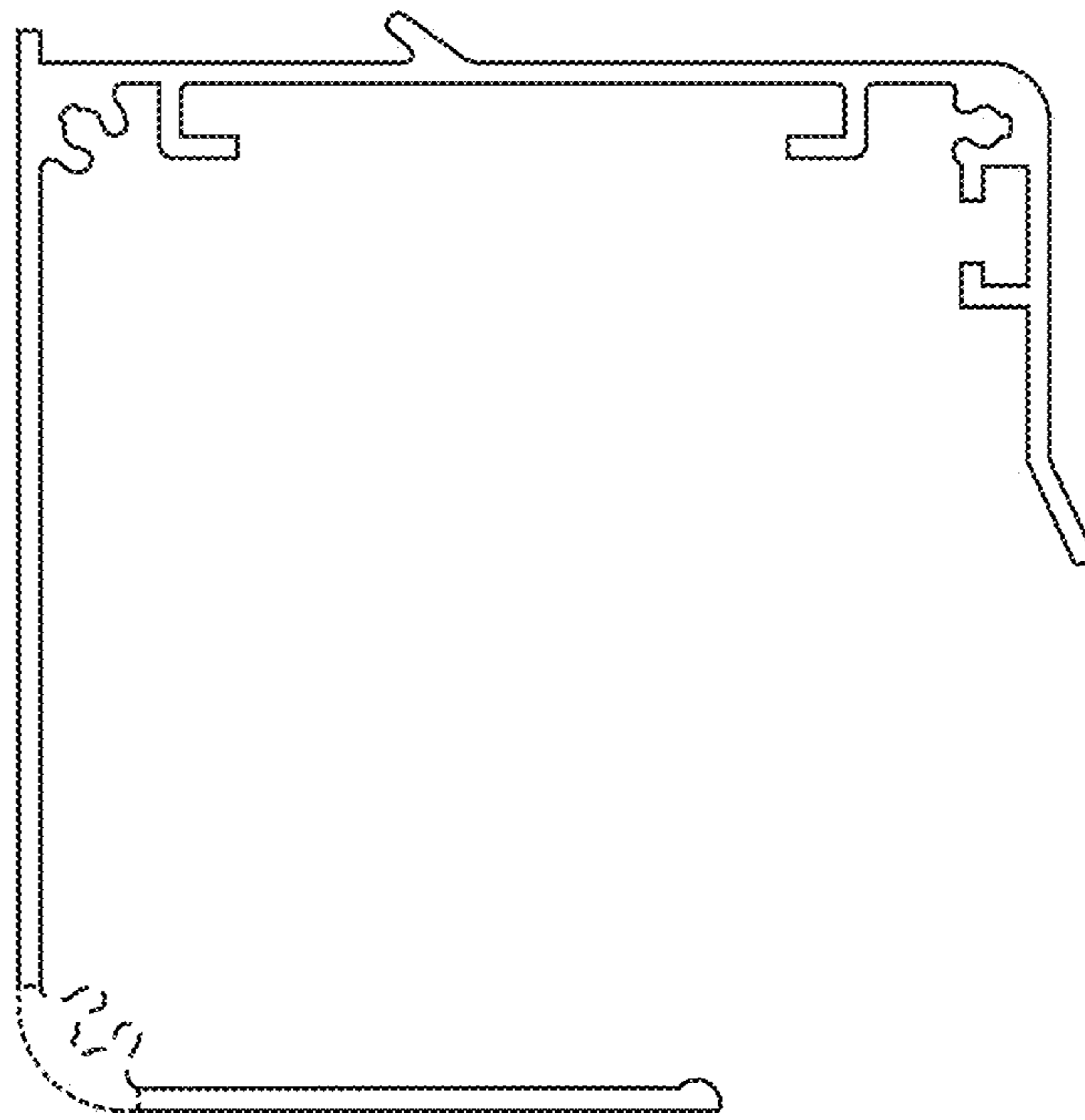


FIG. 3

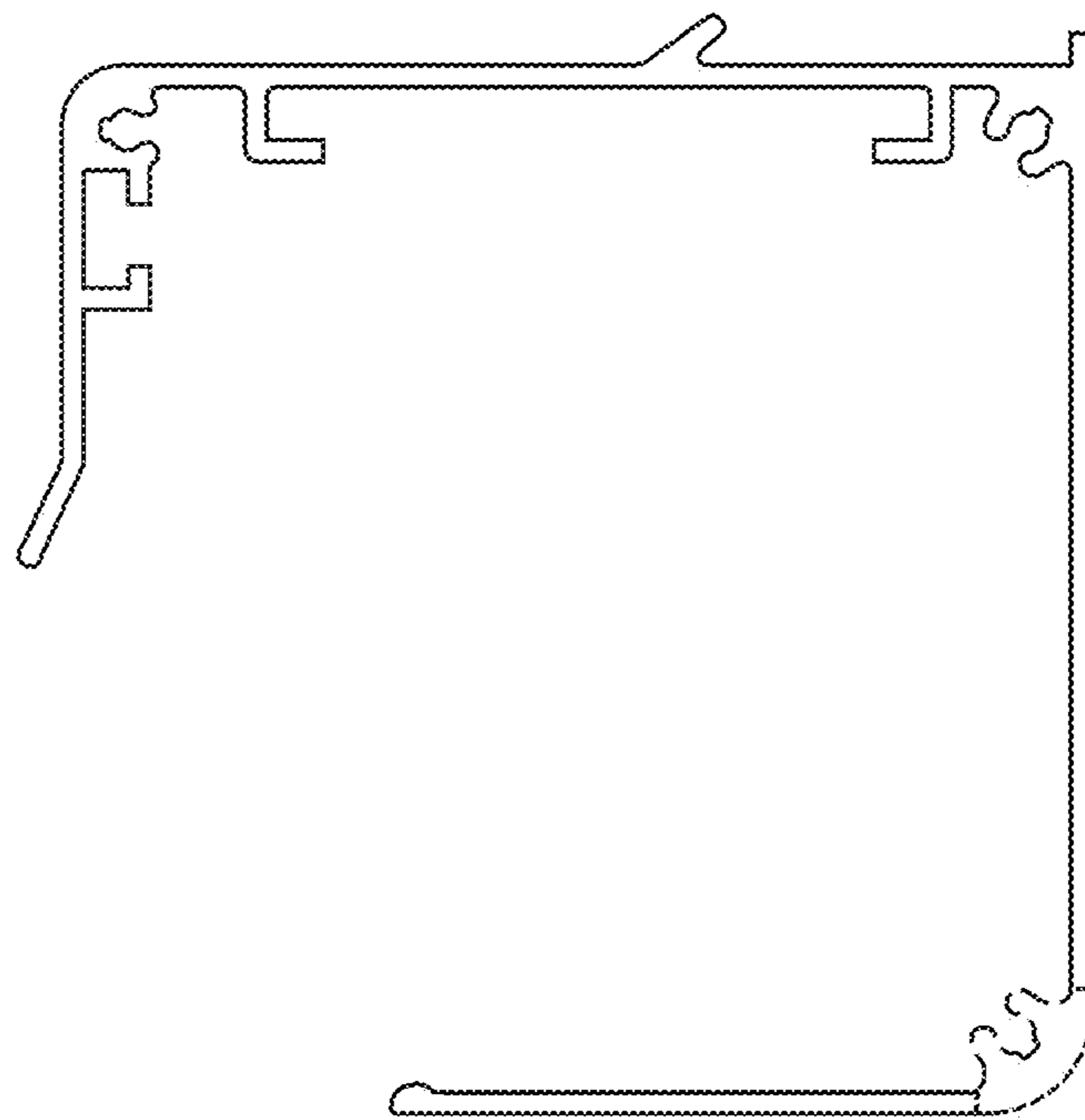


FIG. 4

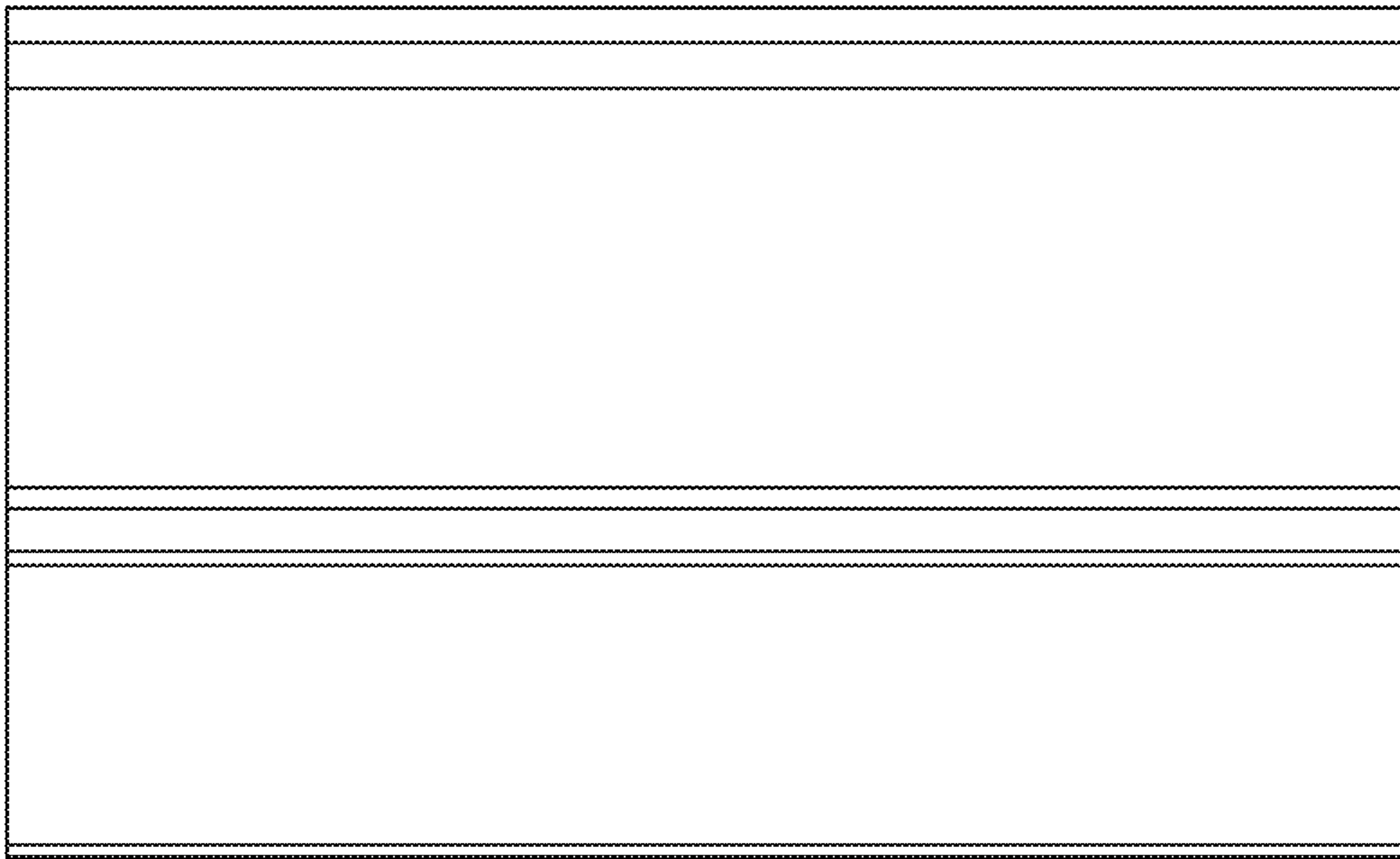


FIG. 5

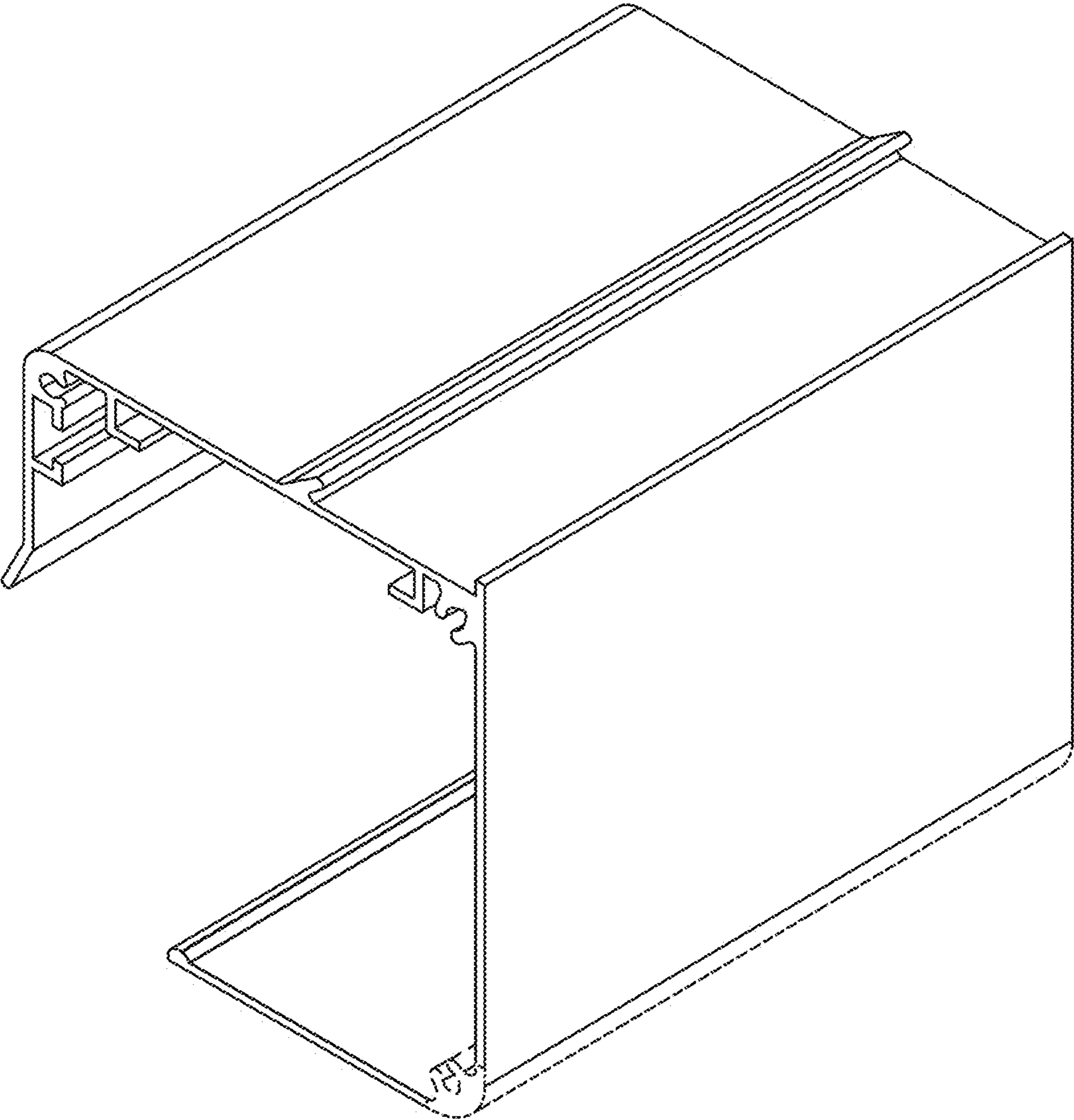


FIG. 6

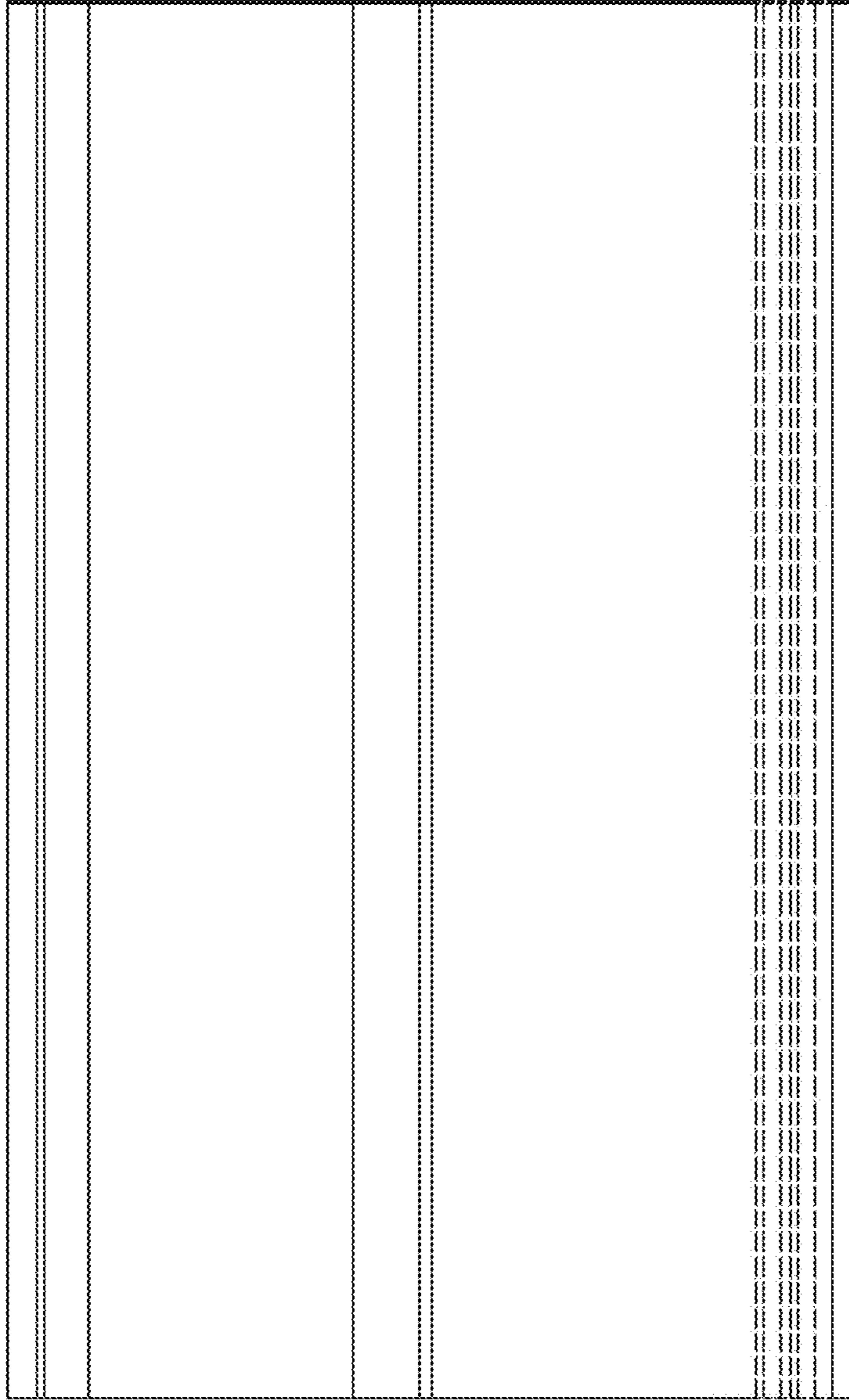


FIG. 7

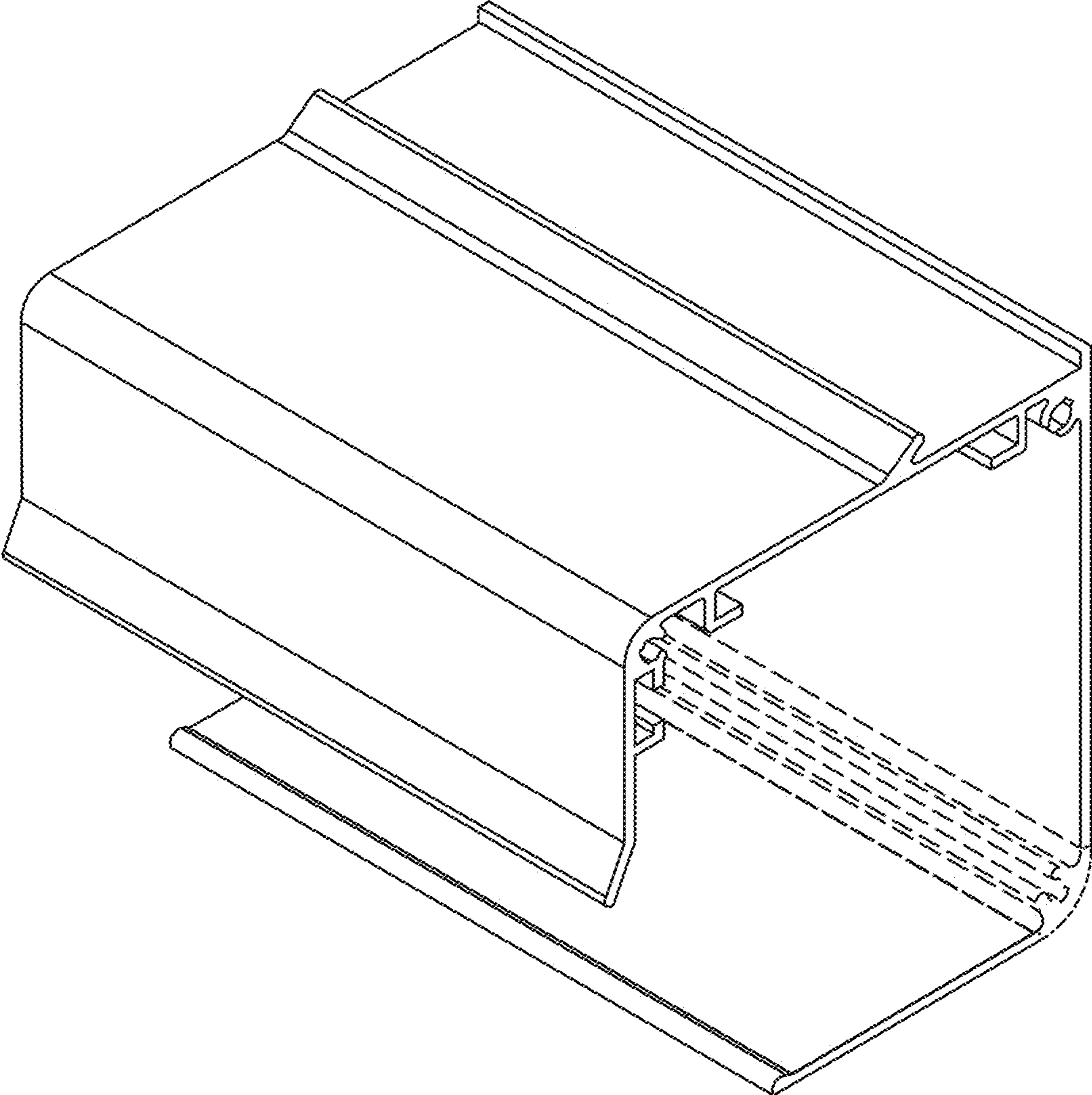


FIG. 8

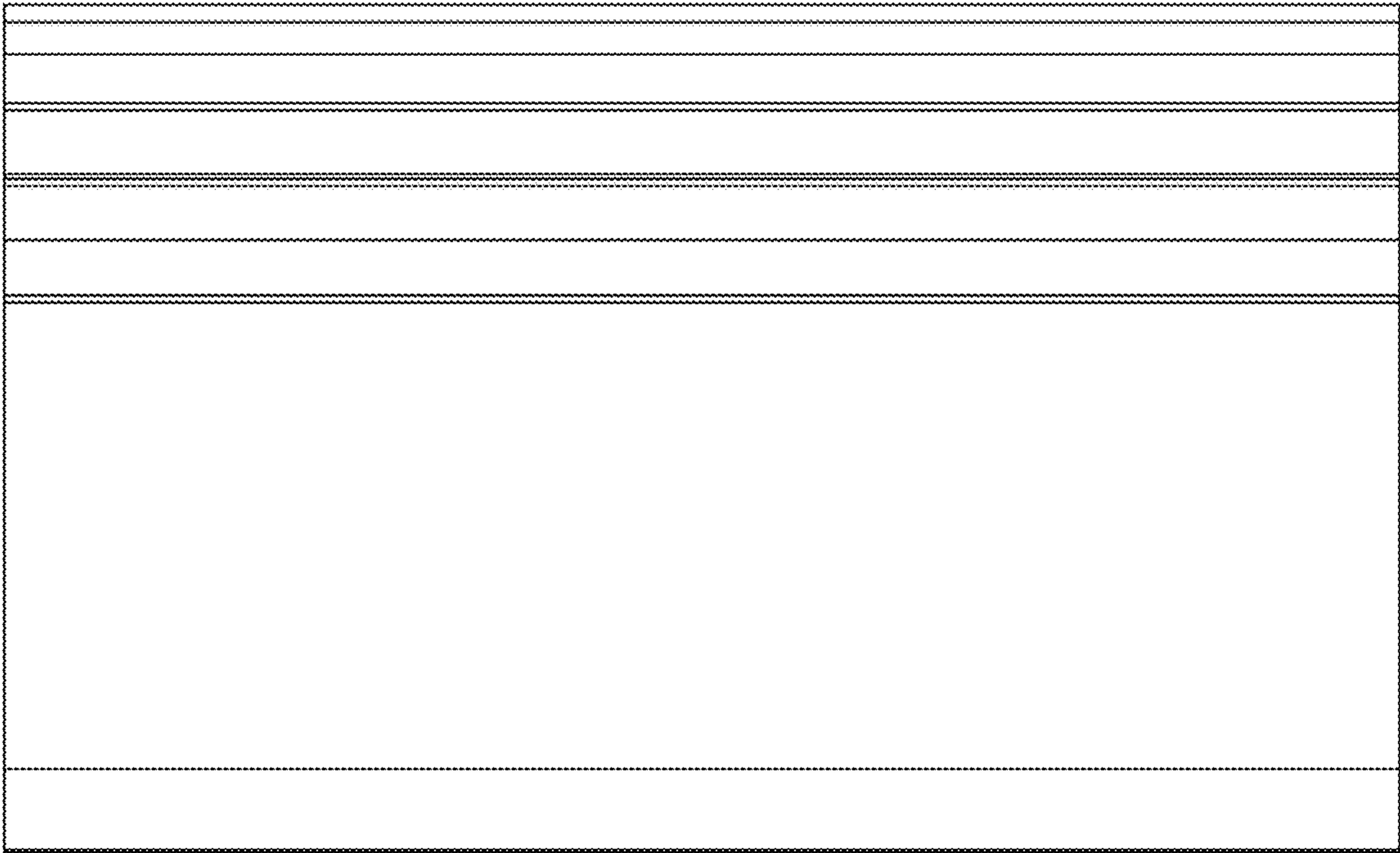


FIG. 9

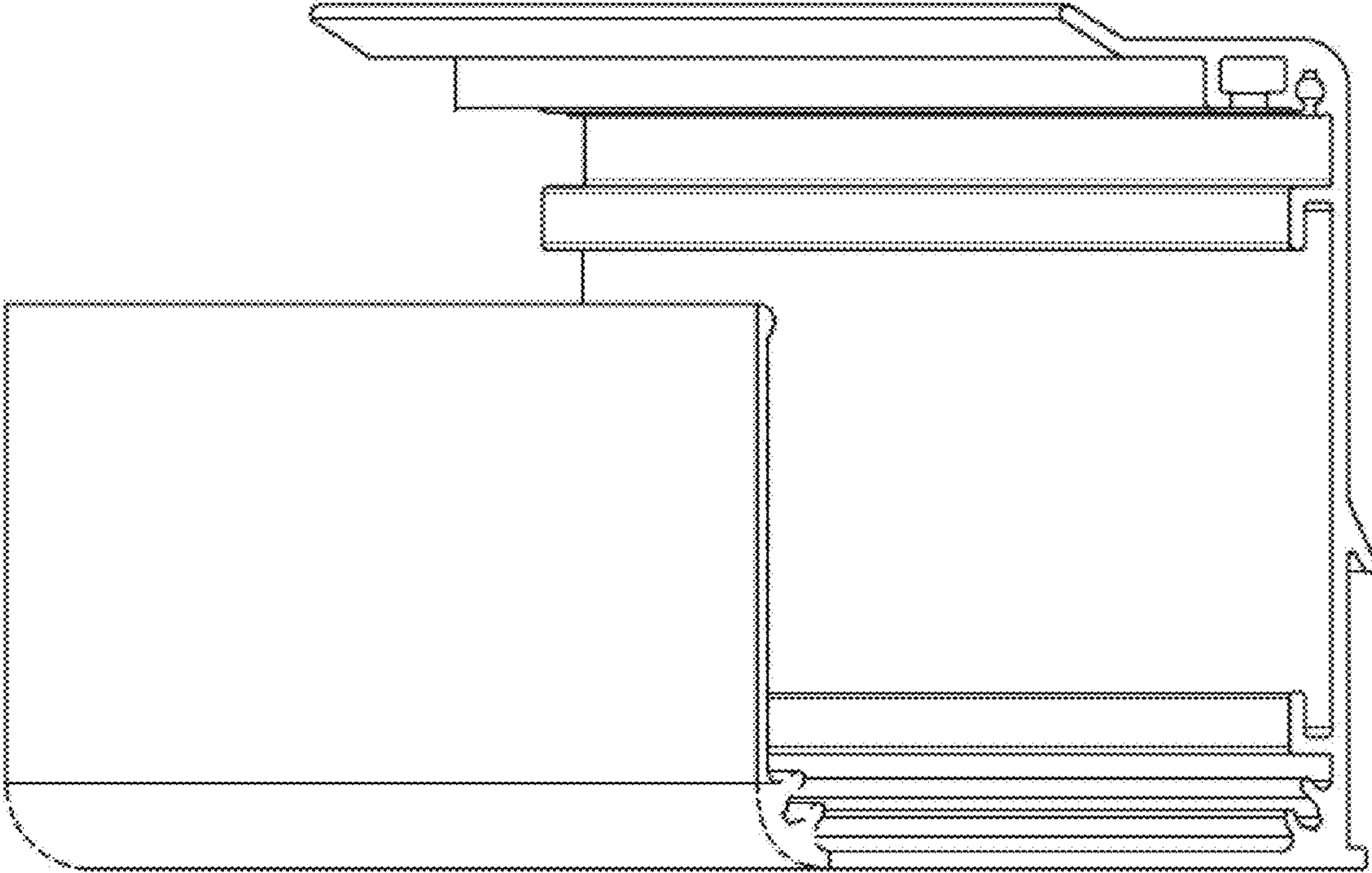


FIG. 10