



US00D982350S

(12) **United States Design Patent** (10) **Patent No.:** **US D982,350 S**  
**Cheng** (45) **Date of Patent:** **\*\* Apr. 4, 2023**

(54) **SHELF**  
(71) Applicant: **Yao Cheng**, Nanchang (CN)  
(72) Inventor: **Yao Cheng**, Nanchang (CN)  
(73) Assignee: **Yao Cheng**, Nanchang (CN)  
(\*\*) Term: **15 Years**

D942,229 S \* 2/2022 Kraemer ..... D15/89  
D965,397 S \* 10/2022 Dai ..... D7/701  
D970,315 S \* 11/2022 Kraemer ..... D15/89  
D974,860 S \* 1/2023 Ramirez ..... D7/701

FOREIGN PATENT DOCUMENTS

CN 305319697 \* 9/2019  
CN 307139310 \* 3/2022  
CN 307591137 \* 10/2022

(21) Appl. No.: **29/869,873**  
(22) Filed: **Jan. 11, 2023**  
(51) **LOC (14) Cl.** ..... **06-04**  
(52) **U.S. Cl.**  
USPC ..... **D6/574; D7/701**  
(58) **Field of Classification Search**  
USPC ..... D6/629; D7/387, 504, 619.1, 701, 704,  
D7/707, 708  
CPC ..... A47B 73/006; A47B 73/008;  
A47G 23/0208; A47G 23/06; A47G  
2200/02; A47J 47/16; B01L 9/04; B65D  
1/36; B65D 71/70; B65D 71/72; F25D  
2331/809; F25D 2331/803; F25D 25/02  
See application file for complete search history.

OTHER PUBLICATIONS

MDesign: Stackable 3-Bottle Holder, <https://mdesignhomedecor.com/products/stackable-3-bottle-holder-asm-7675?variant=41201839407288>, TinEye: Apr. 4, 2016 (Year: 2016).\*

(Continued)

*Primary Examiner* — Jennifer L Rempfer  
*Assistant Examiner* — Bethany Louise Mallino  
(74) *Attorney, Agent, or Firm* — Nitin Kaushik

(57) **CLAIM**

The ornamental design for a shelf, as shown and described.

**DESCRIPTION**

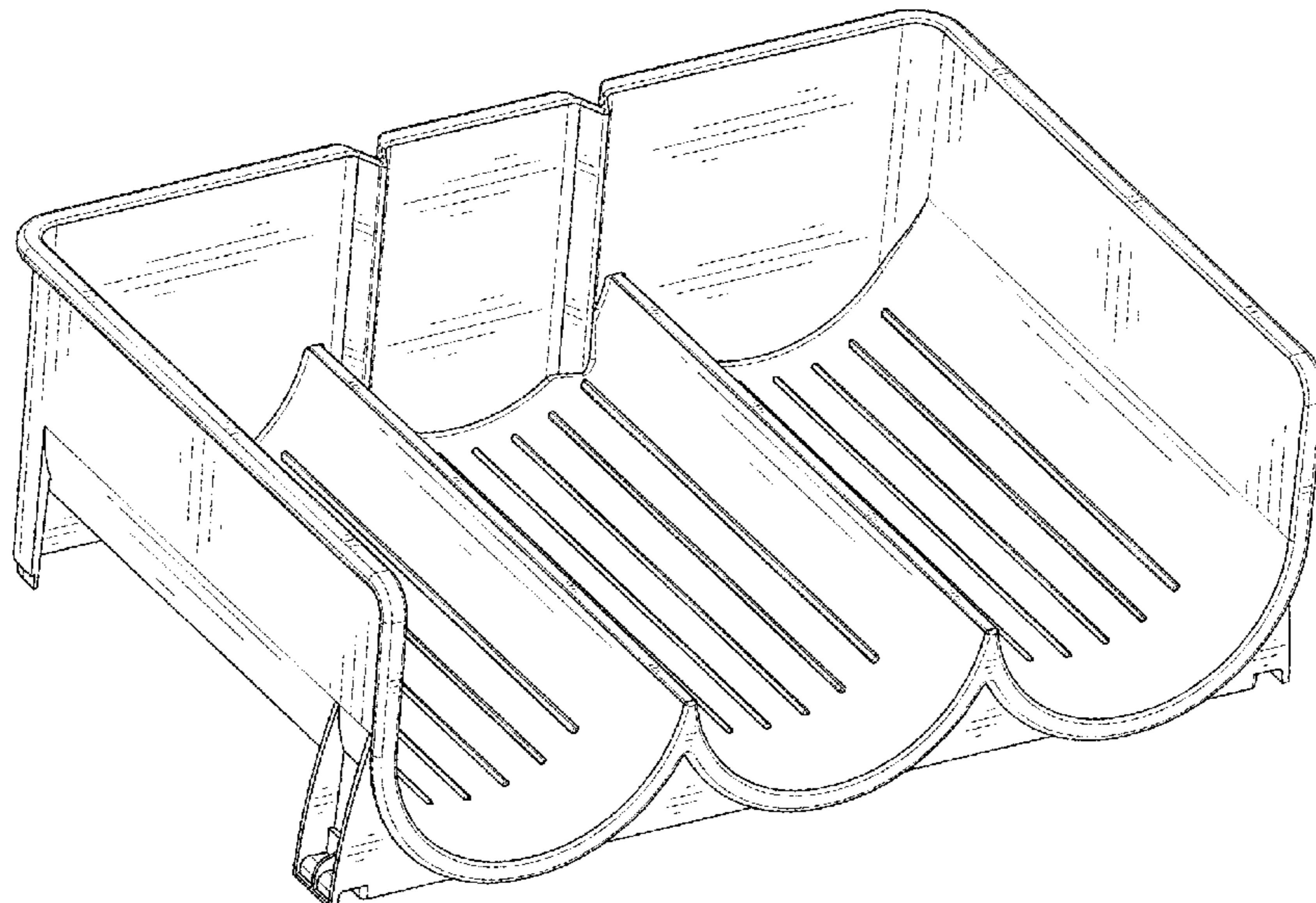
FIG. 1 is a top perspective view of a shelf, showing my new design;  
FIG. 2 is a bottom perspective view thereof;  
FIG. 3 is a front view thereof;  
FIG. 4 is a rear view thereof;  
FIG. 5 is a left side view thereof;  
FIG. 6 is a right side view thereof;  
FIG. 7 is a top view thereof;  
FIG. 8 is a bottom view thereof; and,  
FIG. 9 is the usage state diagram.  
The broken lines in the drawings illustrate the portions of the shelf, which form no part of the claimed design.

**1 Claim, 9 Drawing Sheets**

(56) **References Cited**

U.S. PATENT DOCUMENTS

D300,293 S \* 3/1989 Casey ..... D7/708  
D329,963 S \* 10/1992 Schneider ..... D7/387  
D336,408 S \* 6/1993 Tersch ..... D7/619.1  
5,370,245 A \* 12/1994 Tersch ..... A47B 73/006  
211/74  
D421,370 S \* 3/2000 Hints ..... D7/701  
D424,892 S \* 5/2000 Ribet ..... D7/701  
D446,092 S \* 8/2001 Cautereels ..... D7/701  
D498,376 S \* 11/2004 Christopher ..... D6/629  
D640,842 S 6/2011 Eng  
7,984,806 B2 \* 7/2011 Matheou ..... A47B 73/008  
206/427  
D889,909 S \* 7/2020 Chapman ..... D7/701  
D908,452 S \* 1/2021 Song ..... D7/701



(56)

**References Cited**

OTHER PUBLICATIONS

Oggi Bottle Rack for Wine, 6 Bottle Wine Storage—Stackable Wine Rack with Secure Stack Tabs. Ideal Wine Bottle Holder for Kitchen, Cabinet, Pantry, Fridge—Each Rack Holds 3 Bottles, 2 Pack—Clear <https://a.co/d/iCGwWAJ>, Amazon Review: Sep. 11, 2022 (Year: 2022).\*

\* cited by examiner

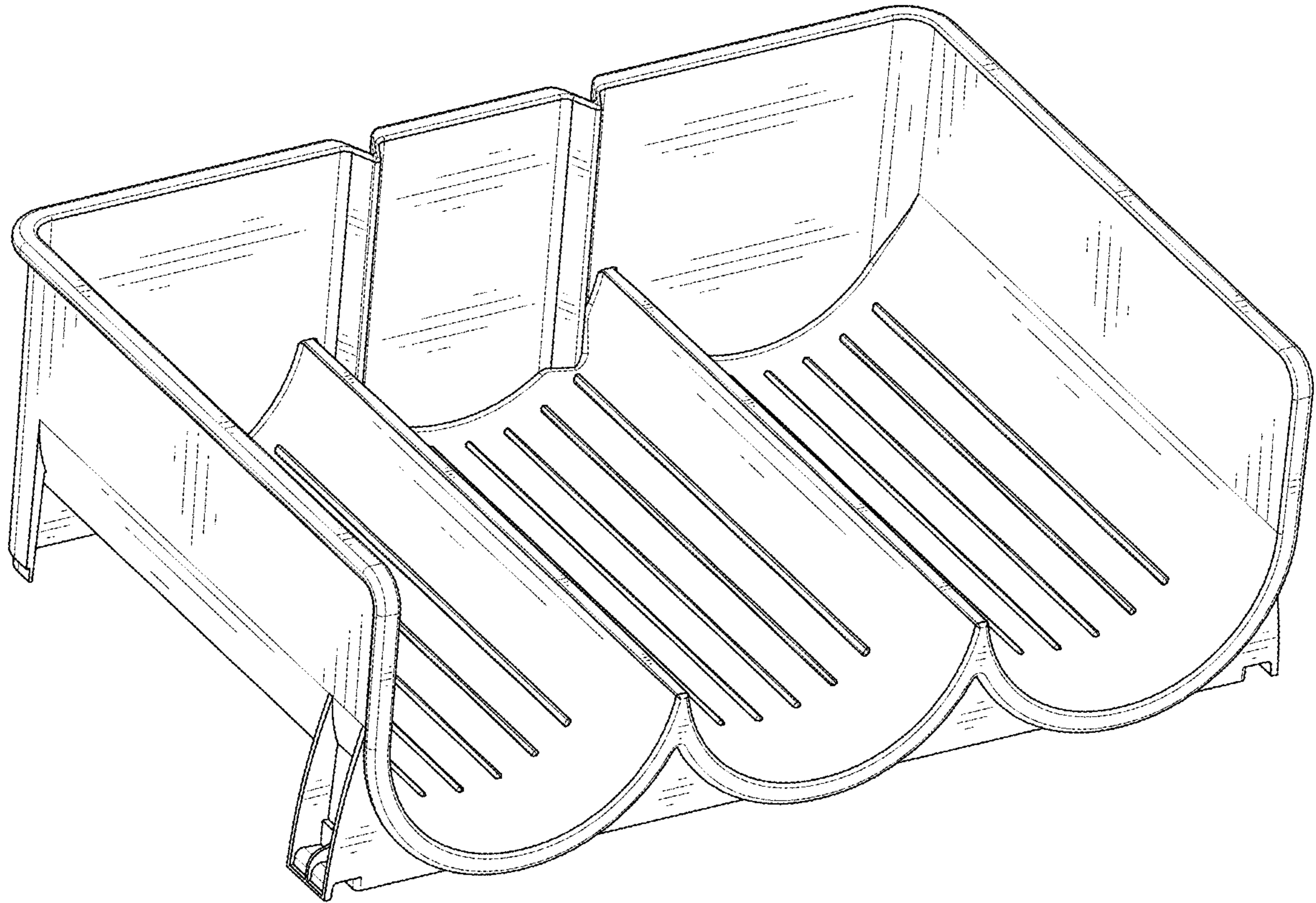


FIG. 1

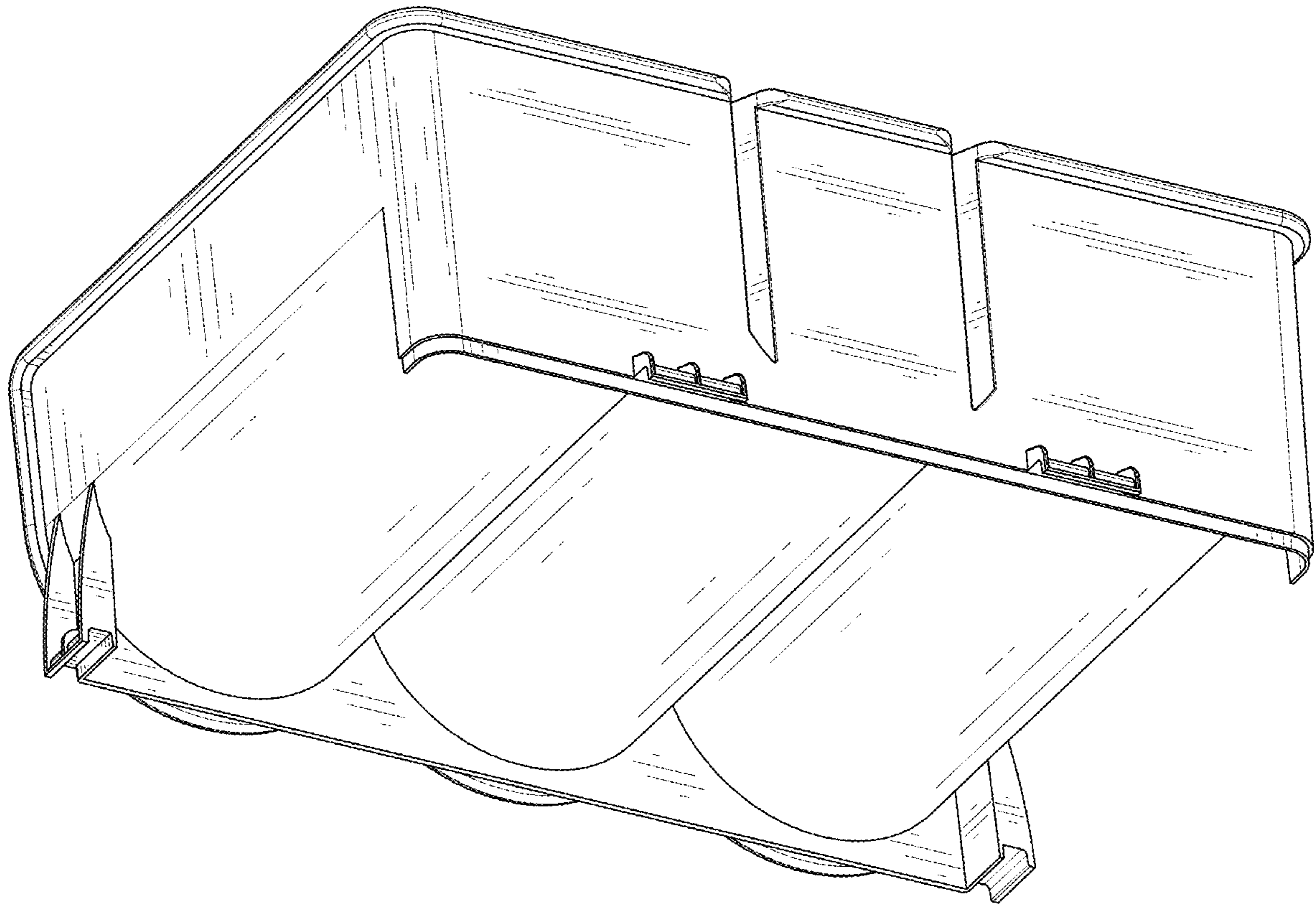


FIG. 2

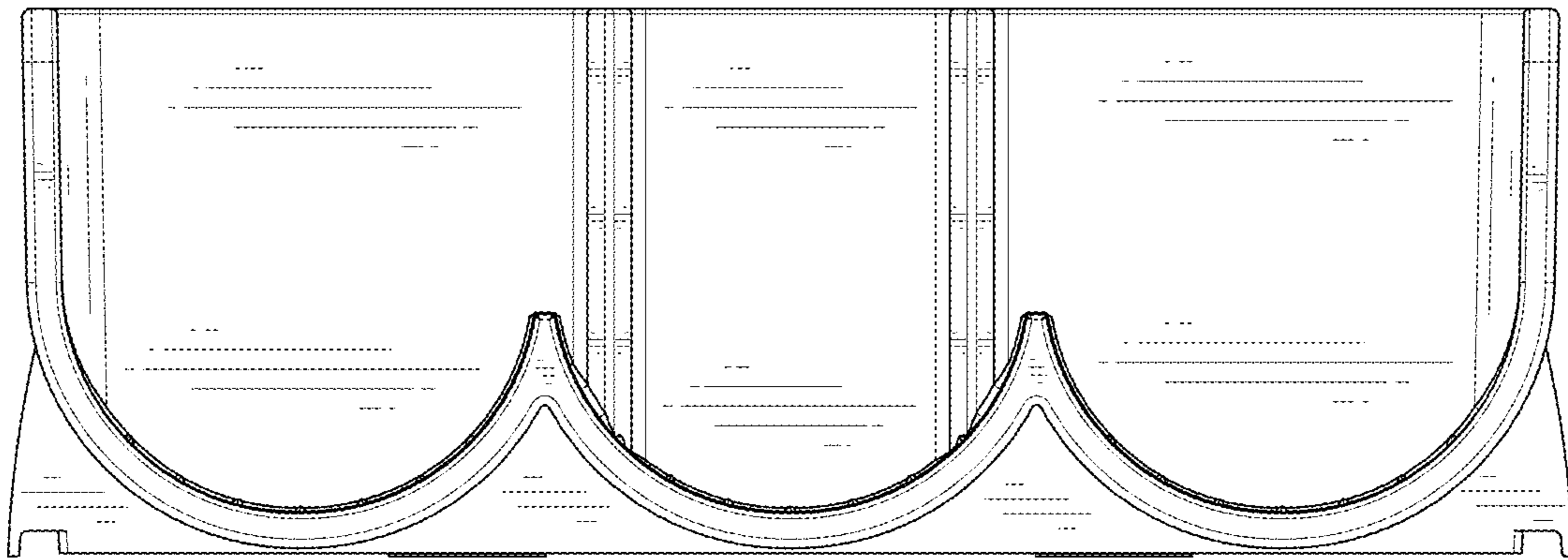


FIG. 3

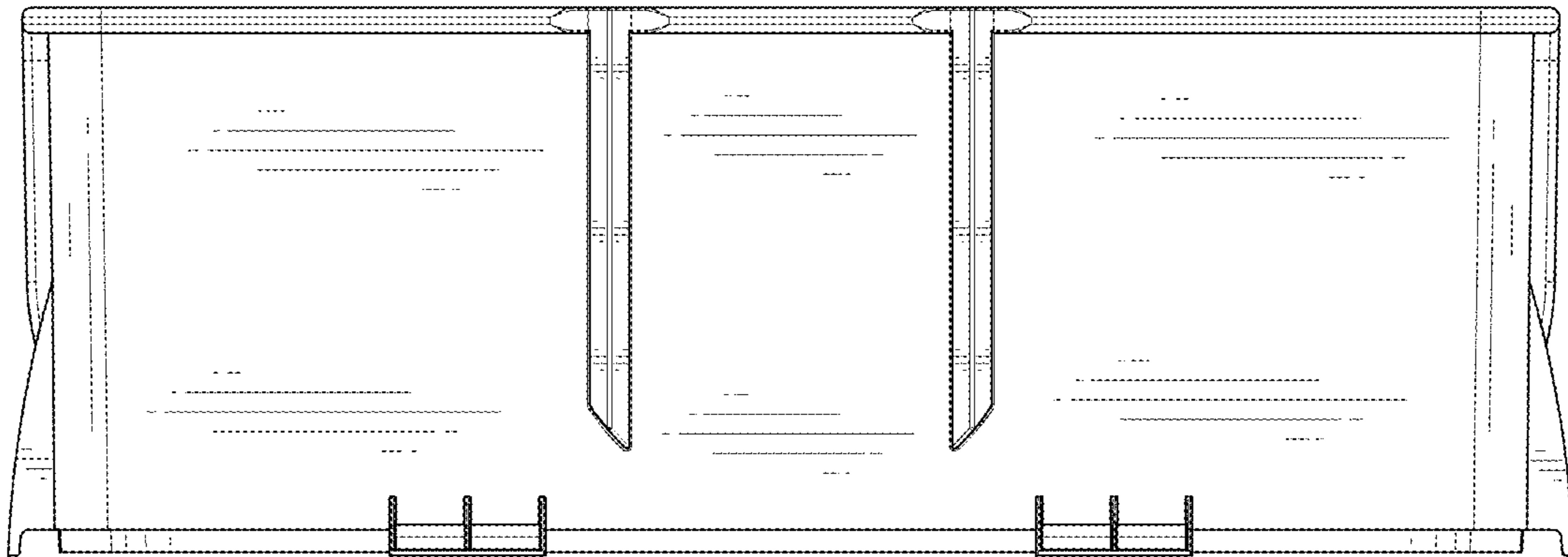


FIG. 4

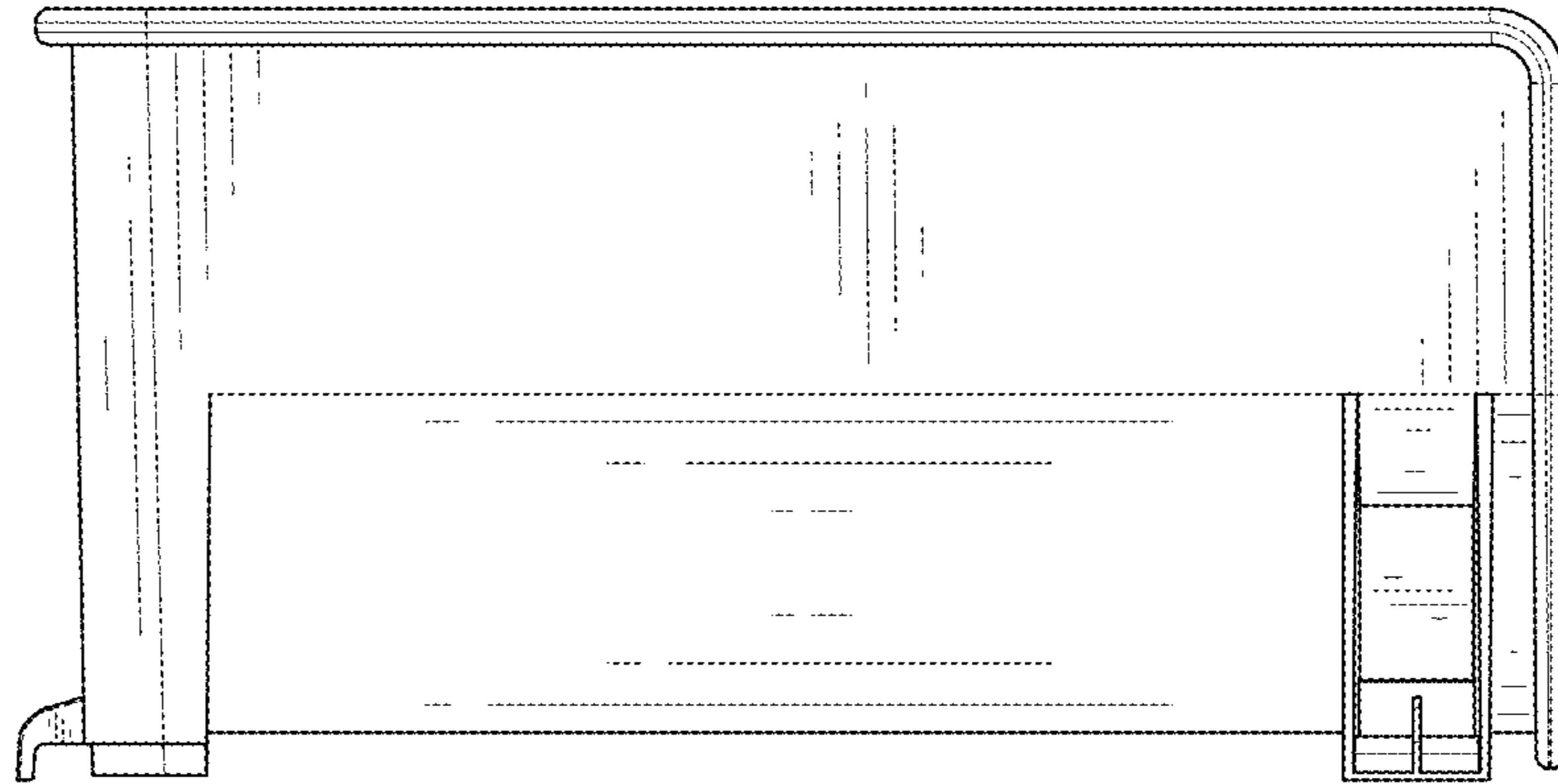


FIG. 5

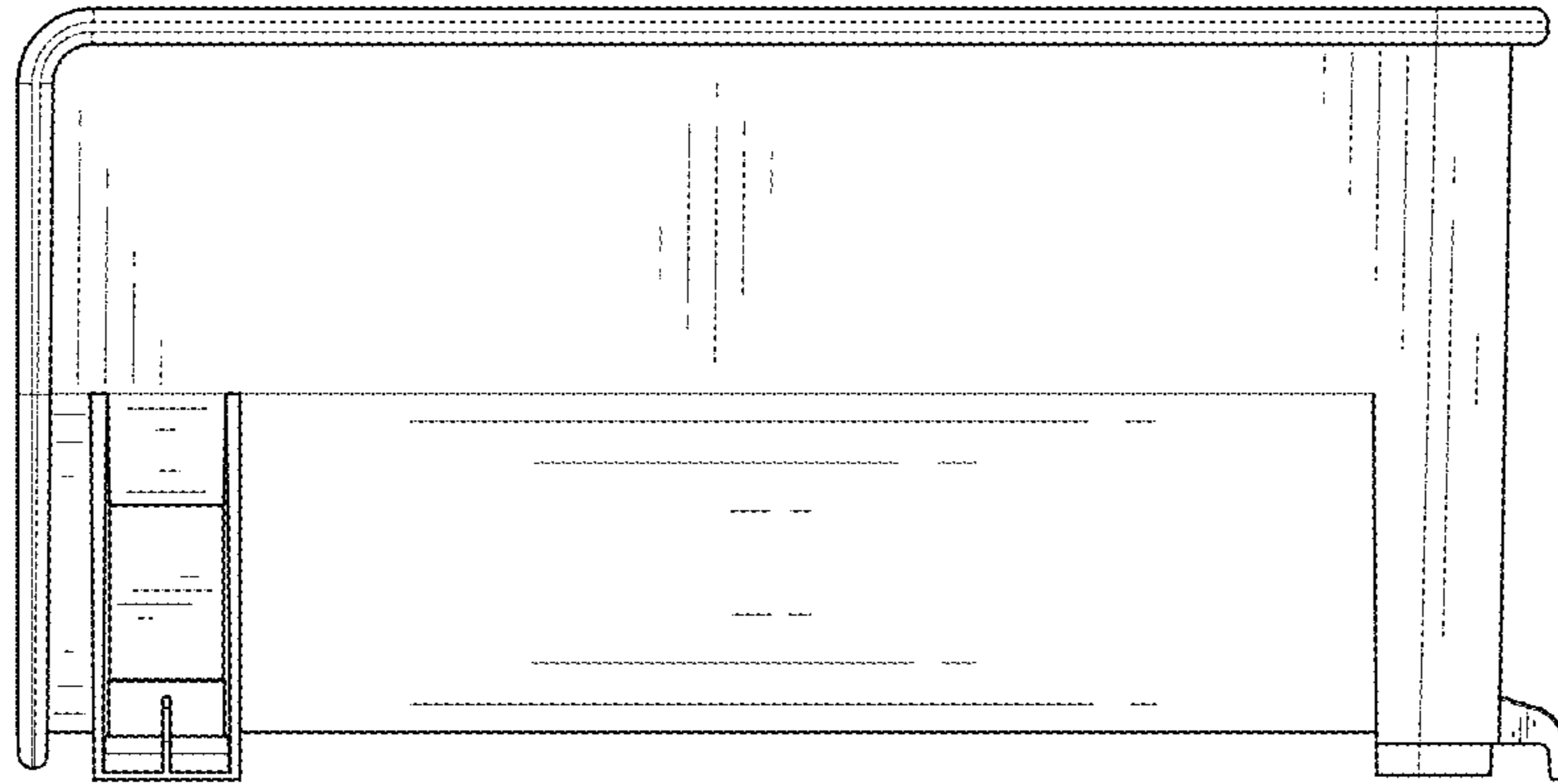


FIG. 6



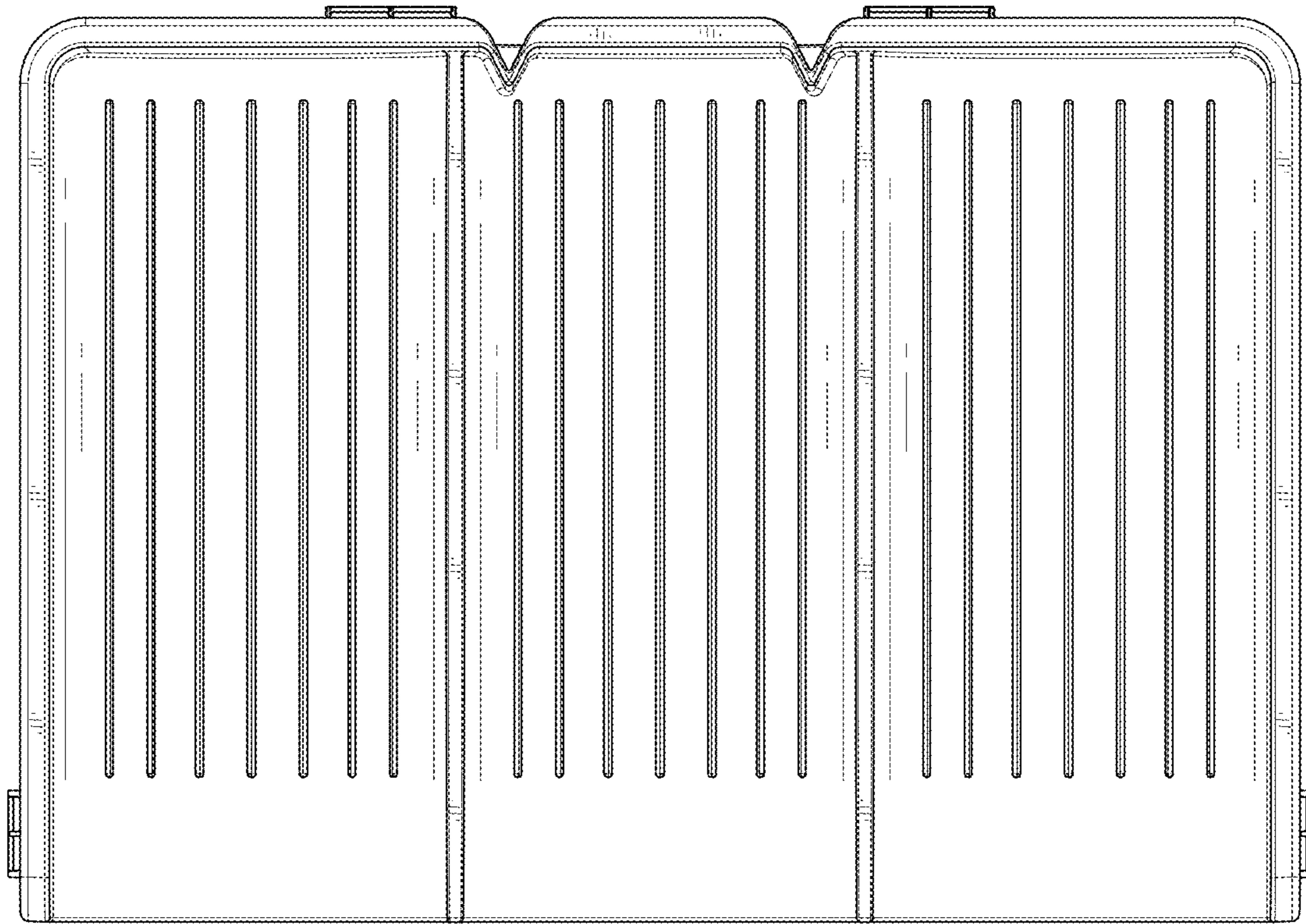


FIG. 7

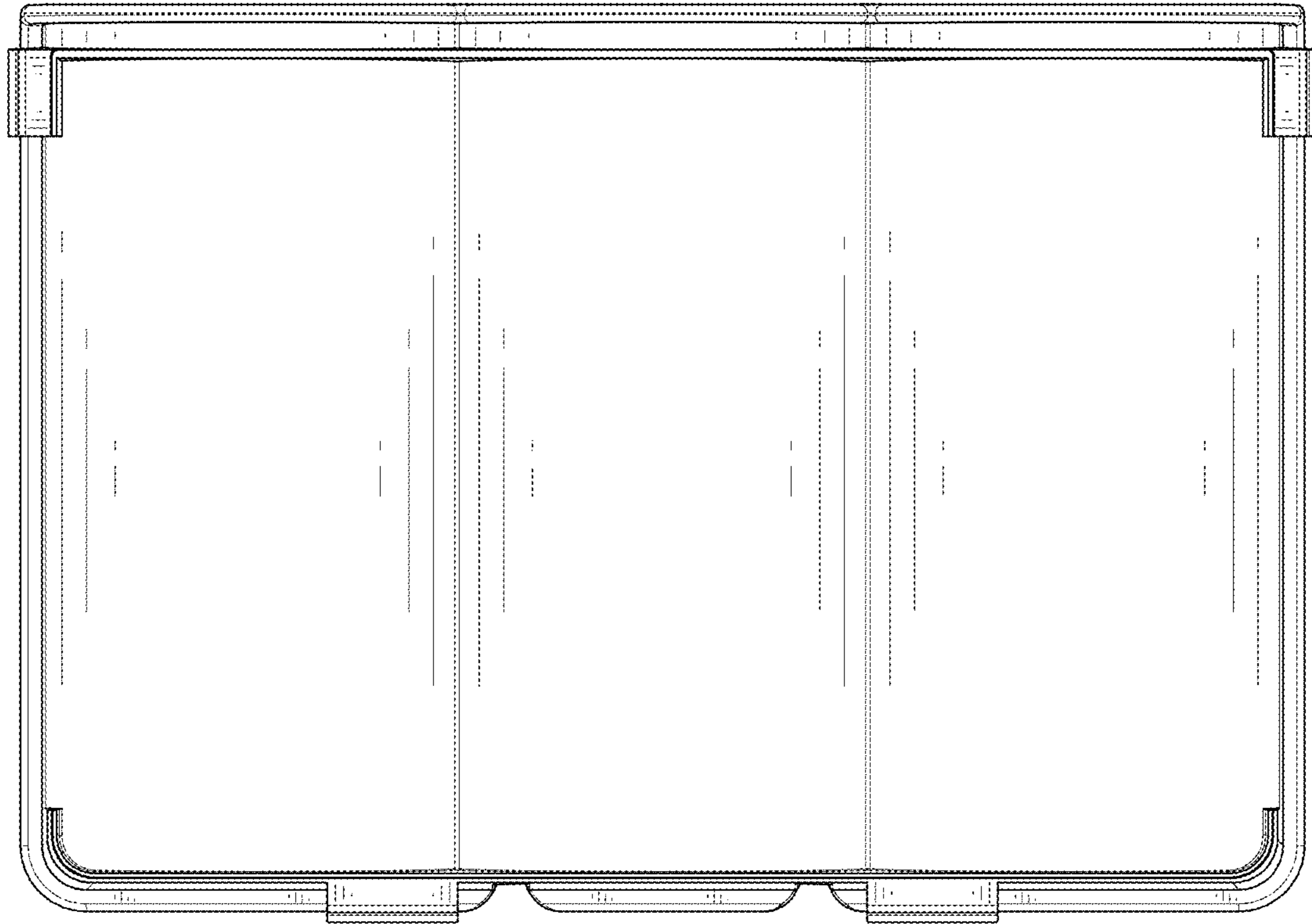


FIG. 8

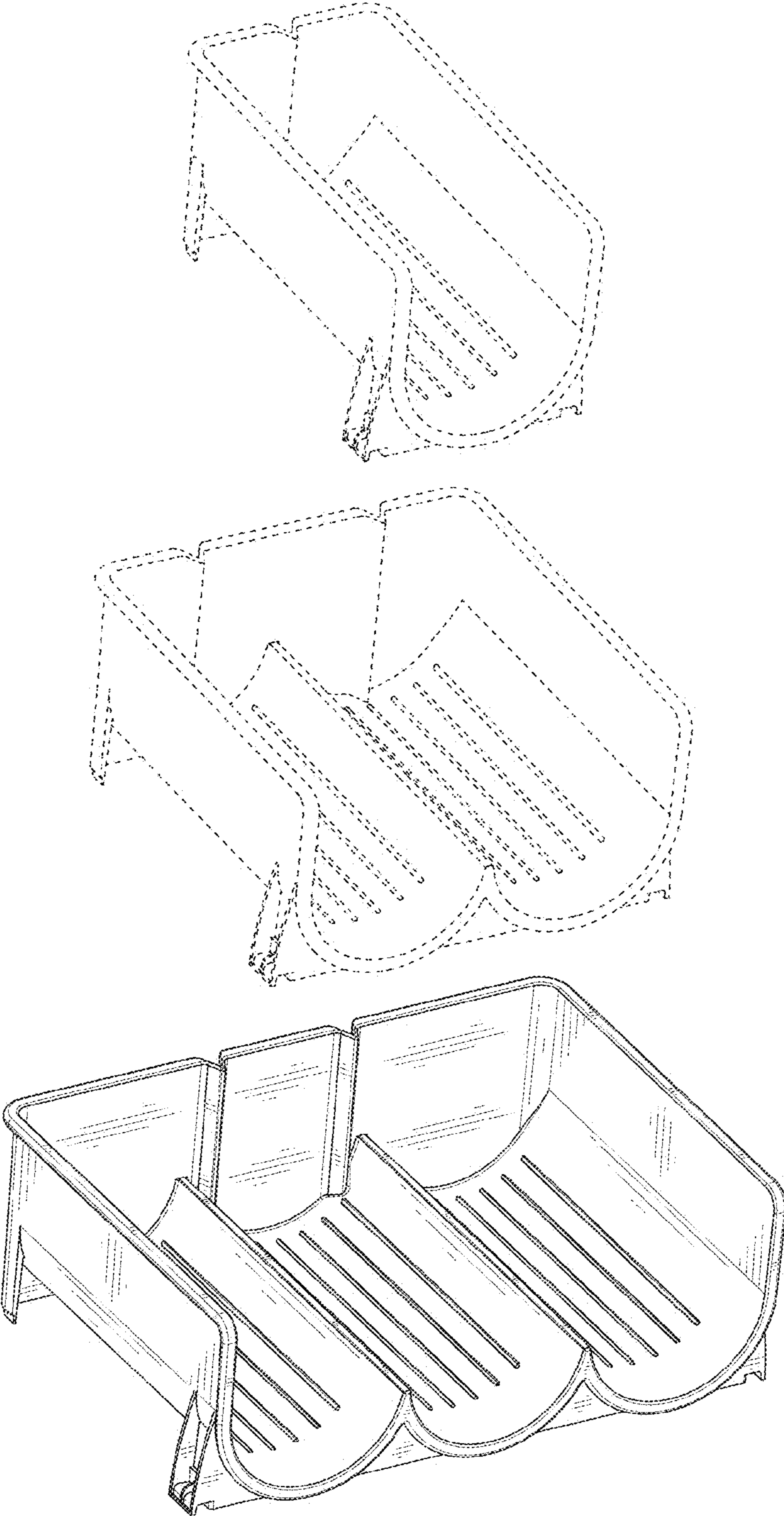


FIG. 9