



US00D982346S

(12) **United States Design Patent** (10) **Patent No.:** **US D982,346 S**  
**Feng** (45) **Date of Patent:** **\*\* Apr. 4, 2023**

(54) **SOAP DISPENSER**

OTHER PUBLICATIONS

(71) Applicant: **Shenzhen Great Power Innovation and Technology Enterprise Co., Ltd.**, Guangdong (CN)

SoapBuds Hippo Pump Soap Dispenser, posted Apr. 13, 2022 [online], [retrieved Oct. 3, 2022]. Retrieved from internet, <https://www.amazon.com/SoapBuds-Hippo-Refillable-Pump-Dispenser/dp/B09XVP61LP?th=1> (Year: 2022).\*

(72) Inventor: **Qixiang Feng**, Guangdong (CN)

Dinosaur Automatic Soap Dispenser, posted Apr. 25, 2022 [online], [retrieved Oct. 3, 2022]. Retrieved from internet, <https://www.amazon.com/dp/B09YS313C8?th=1> (Year: 2022).\*

(73) Assignee: **Shenzhen Great Power Innovation and Technology Enterprise Co., Ltd.**

MagiDeal Dispenser Giraffe Automatic Soap Dispenser, posted unknown [online], [retrieved Oct. 3, 2022]. Retrieved from internet, <https://www.amazon.com/dp/B09KRBZZXP?th=1> (Year: 2022).\*

(\*\*) Term: **15 Years**

\* cited by examiner

(21) Appl. No.: **29/812,678**

(22) Filed: **Oct. 22, 2021**

*Primary Examiner* — Cynthia Ramirez

(51) **LOC (14) Cl.** ..... **23-08**

*Assistant Examiner* — Jeremy S. Swartz

(52) **U.S. Cl.**

USPC ..... **D6/542**

(58) **Field of Classification Search**

USPC ..... D6/542–545

See application file for complete search history.

(57) **CLAIM**

The ornamental design for a soap dispenser, as shown and described.

(56) **References Cited**

U.S. PATENT DOCUMENTS

D483,208 S	*	12/2003	Tsang	.....	D6/542
D486,335 S	*	2/2004	Sonneman	.....	D6/542
D668,898 S	*	10/2012	Diamant	.....	D6/542
D894,631 S	*	9/2020	Yang	.....	D6/542
D897,721 S	*	10/2020	Jia	.....	D6/542
D916,501 S	*	4/2021	Merrill	.....	D6/542
D933,392 S	*	10/2021	Jia	.....	D6/542
D937,606 S	*	12/2021	Chen	.....	D6/542
D952,367 S	*	5/2022	Li	.....	D6/542
D953,062 S	*	5/2022	Wang	.....	D6/542
D959,171 S	*	8/2022	Lauritzen	.....	D6/542

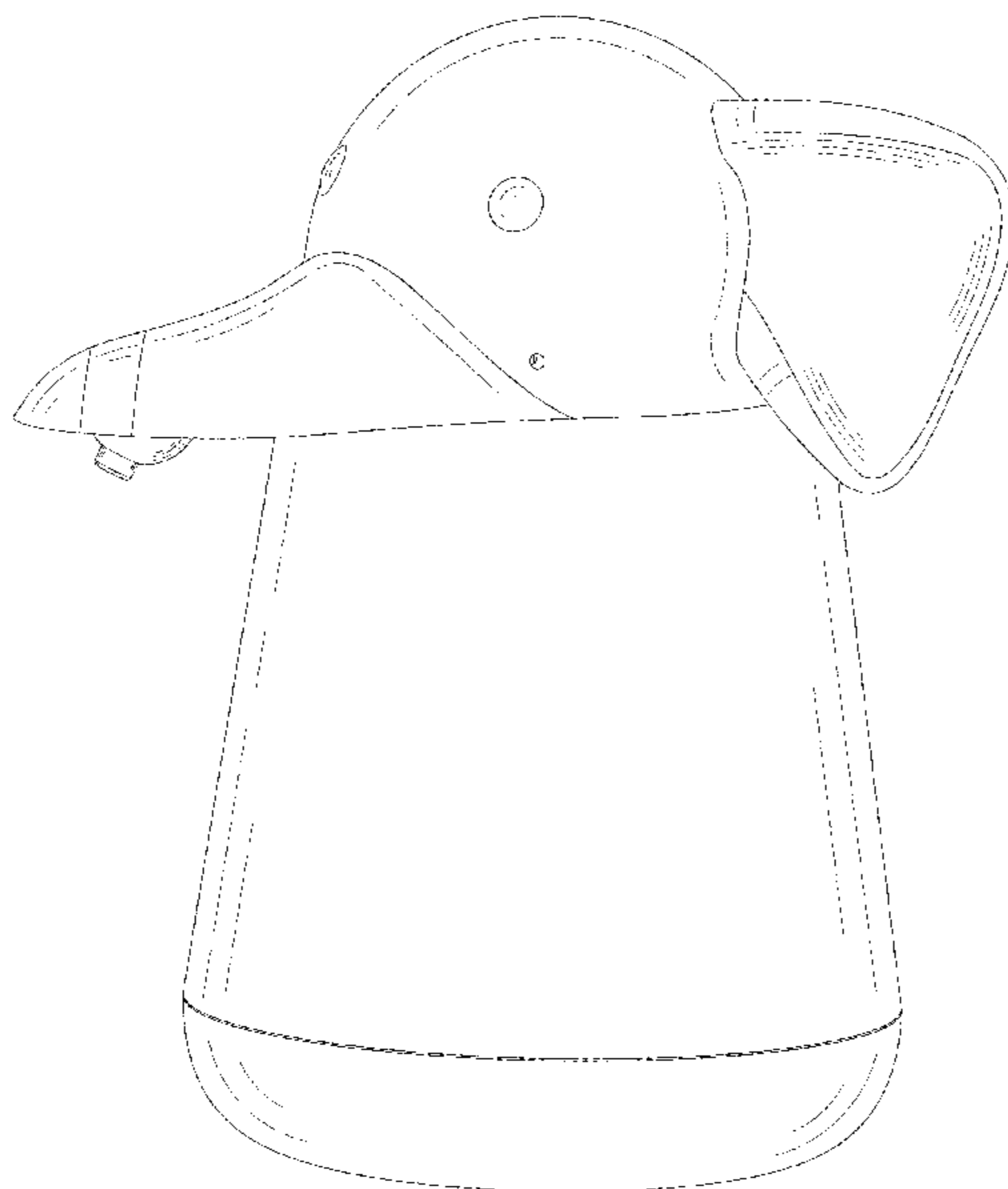
FOREIGN PATENT DOCUMENTS

CN	306631910	*	6/2021
CN	307161600	*	3/2022
JP	D1691303	*	7/2021

**DESCRIPTION**

FIG. 1 is a front view of the soap dispenser showing my new design;  
FIG. 2 is a back view thereof;  
FIG. 3 is a left side view thereof;  
FIG. 4 is a right side view thereof;  
FIG. 5 is a top view thereof;  
FIG. 6 is a bottom view thereof;  
FIG. 7 is a perspective view thereof; and,  
FIG. 8 is another perspective view thereof.  
The broken lines in the figures show portions of the soap dispenser, which form no part of the claimed design.

**1 Claim, 8 Drawing Sheets**



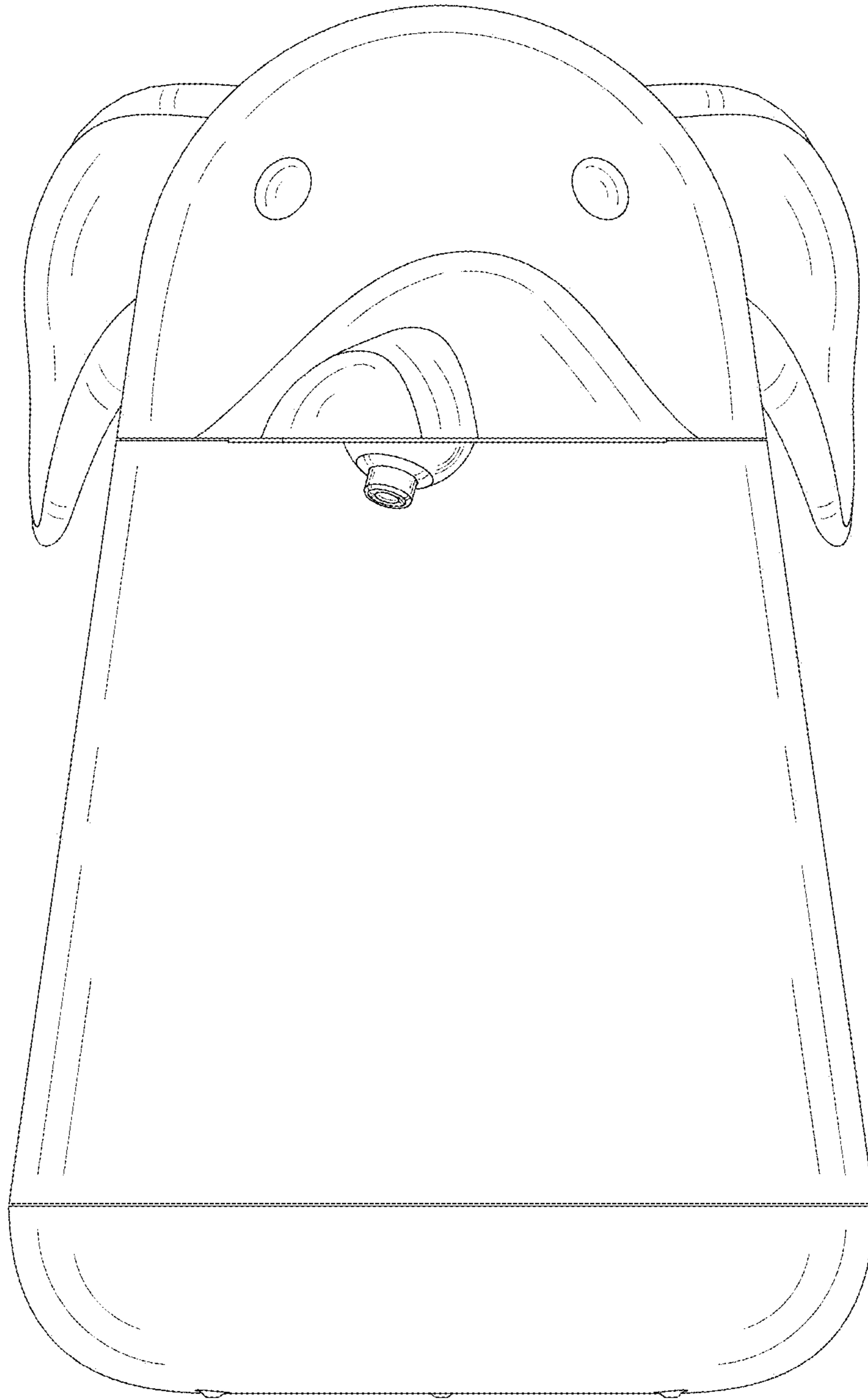


FIG. 1

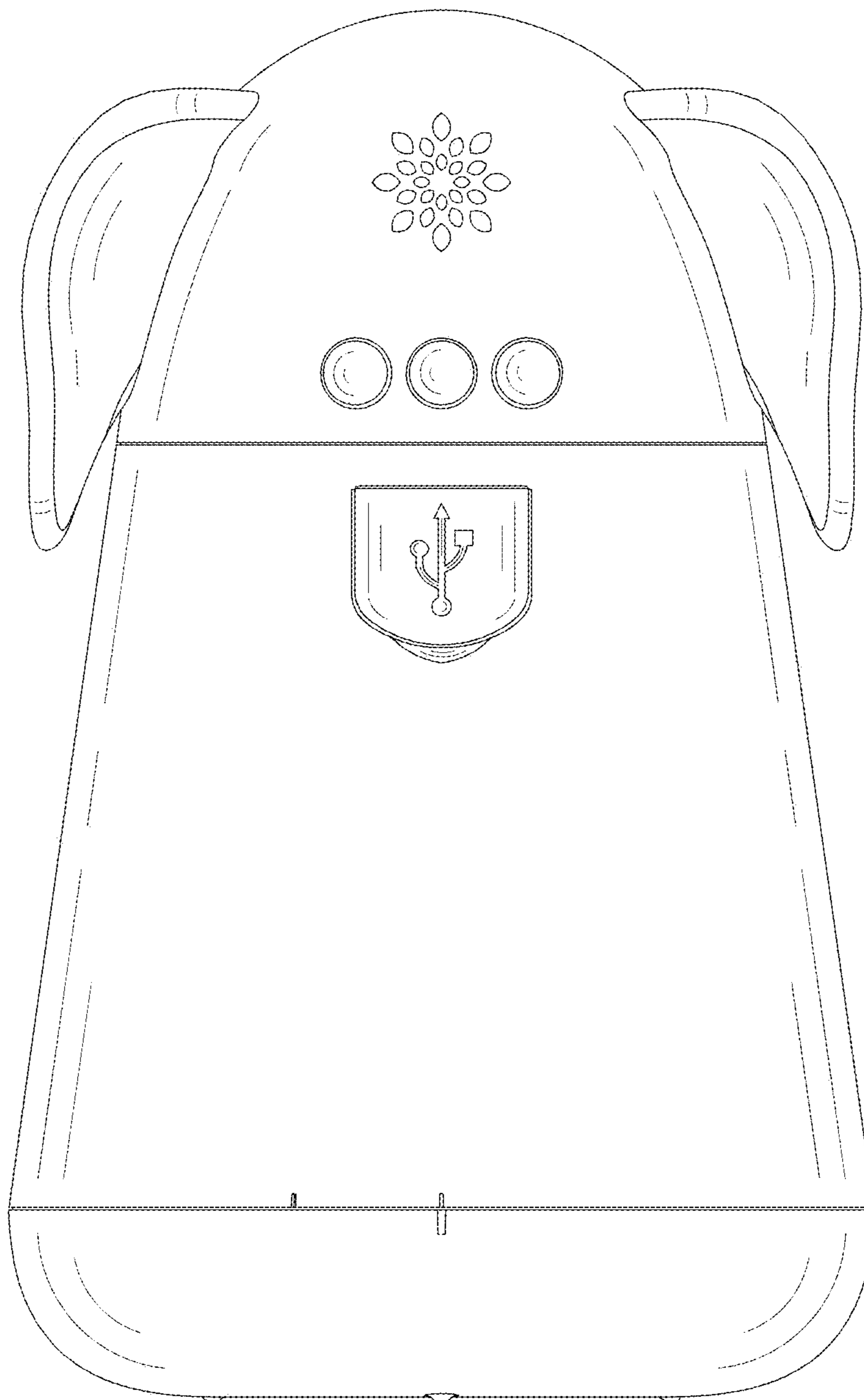


FIG. 2

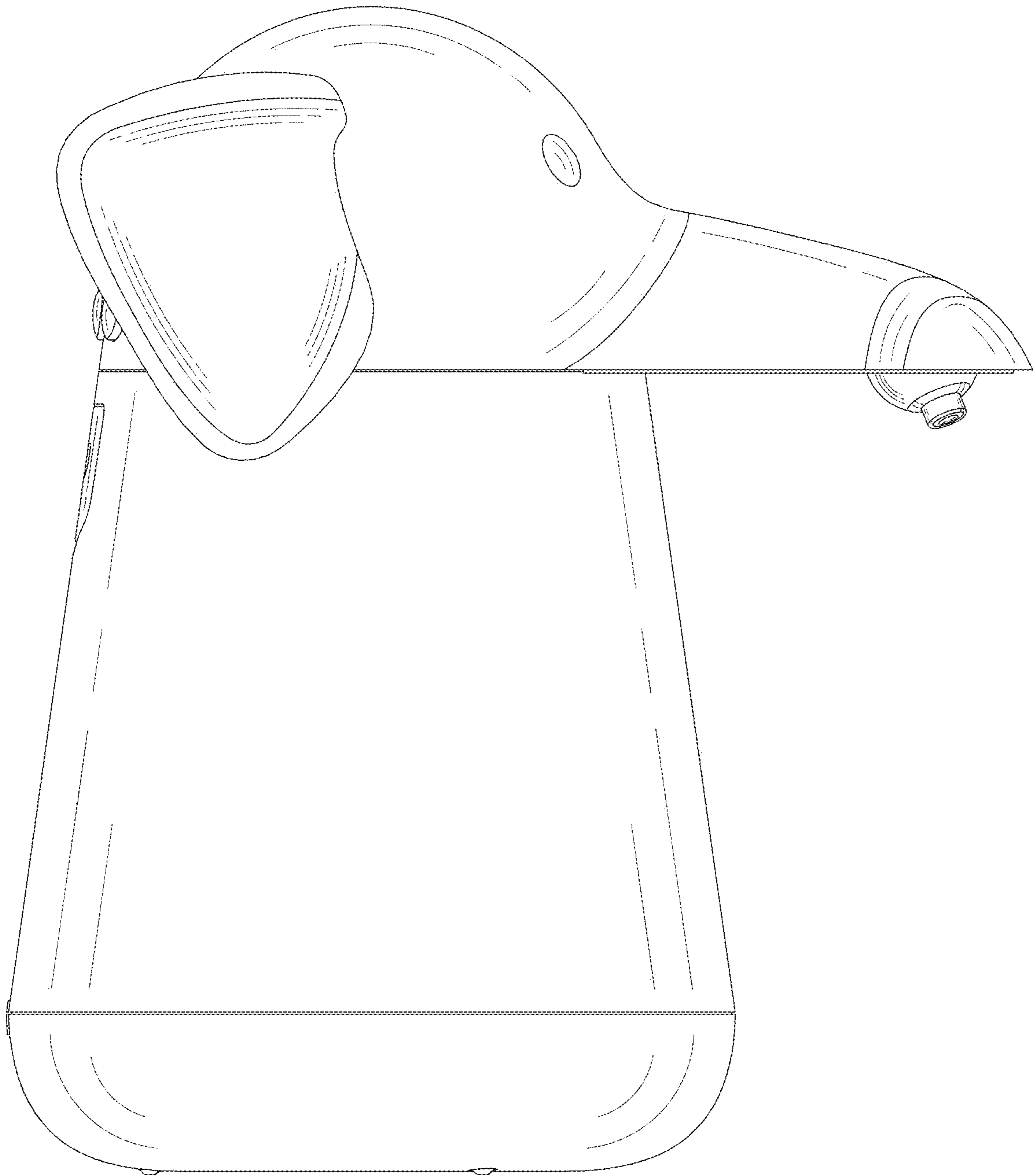


FIG. 3

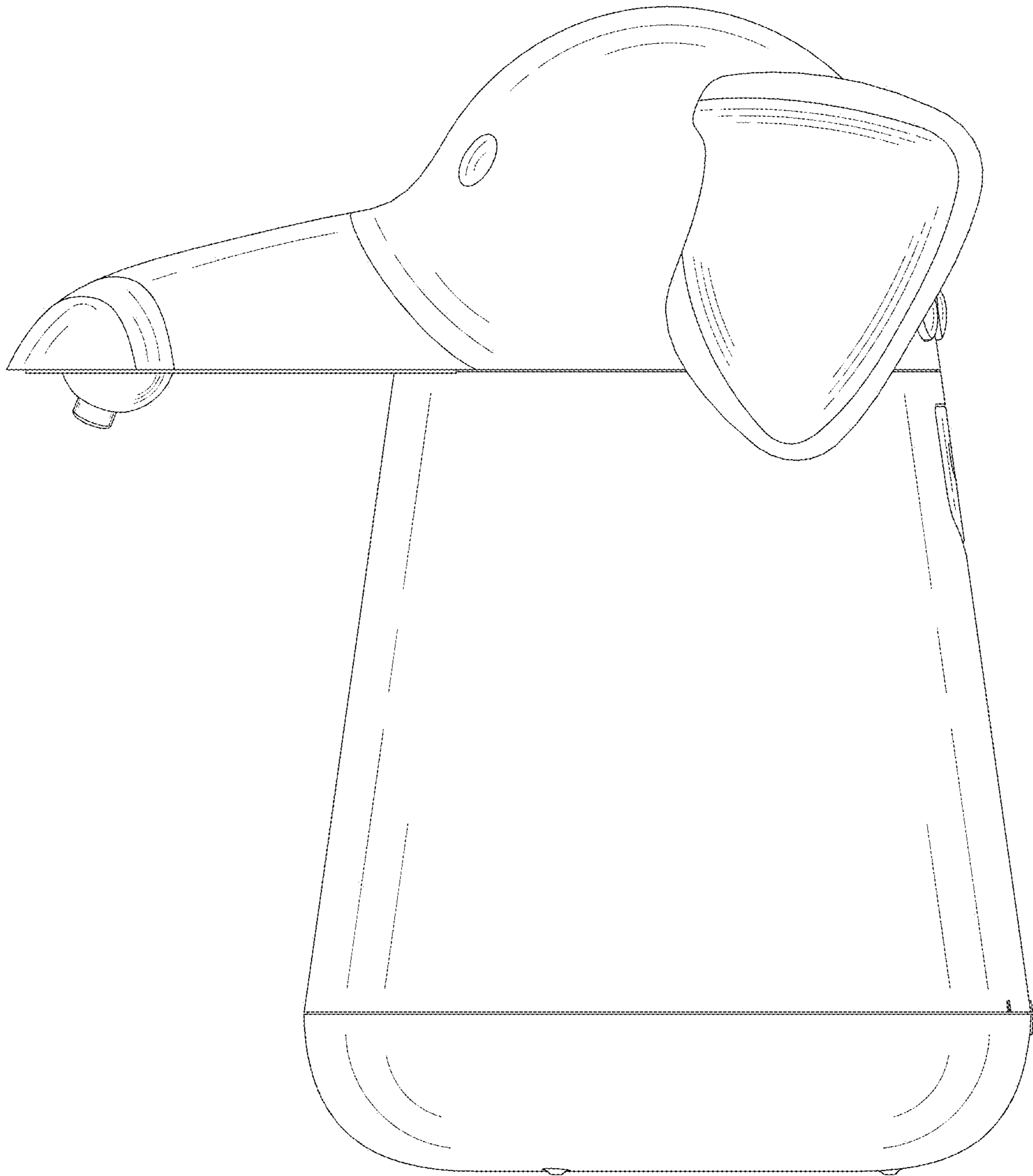


FIG. 4

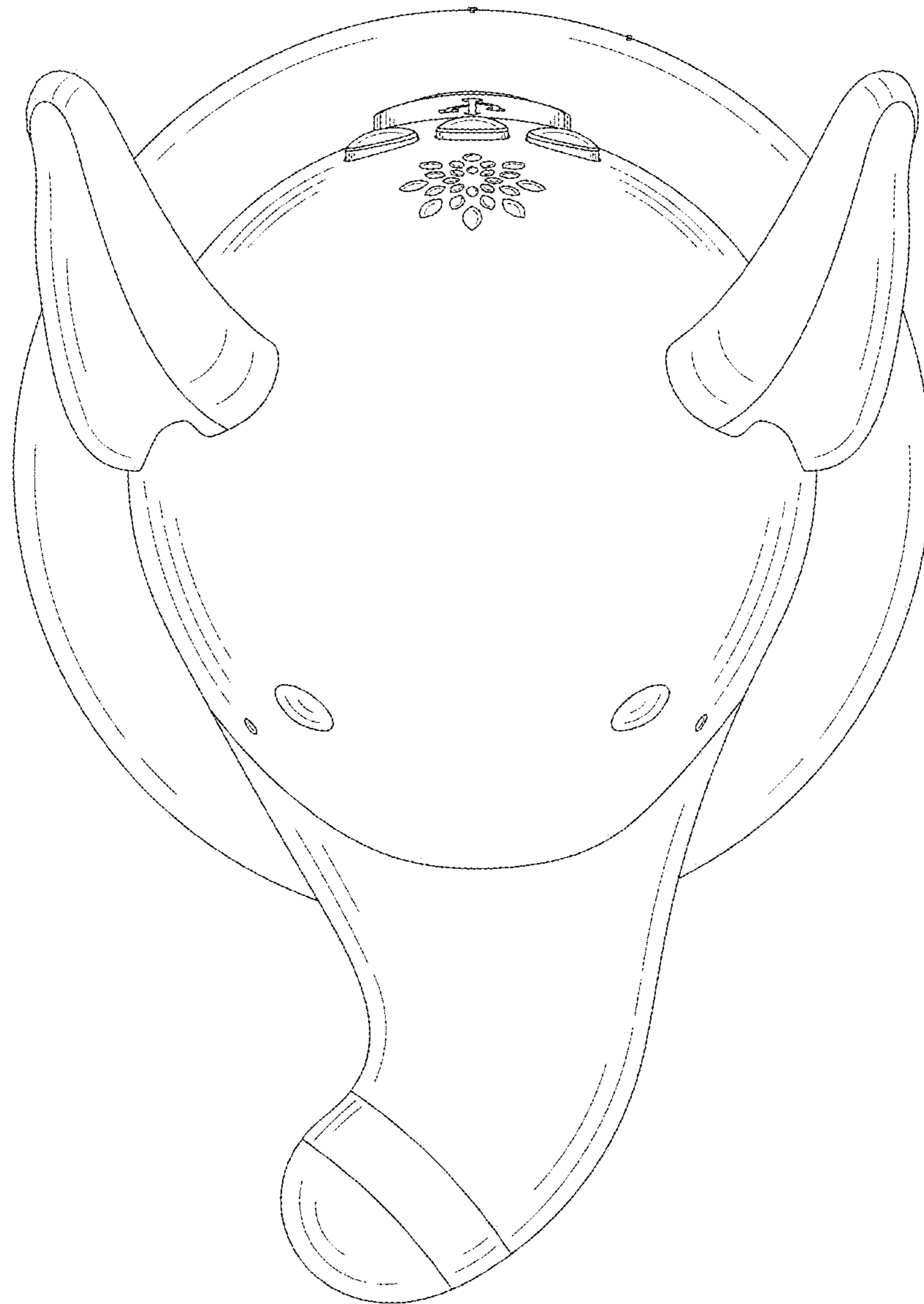


FIG. 5



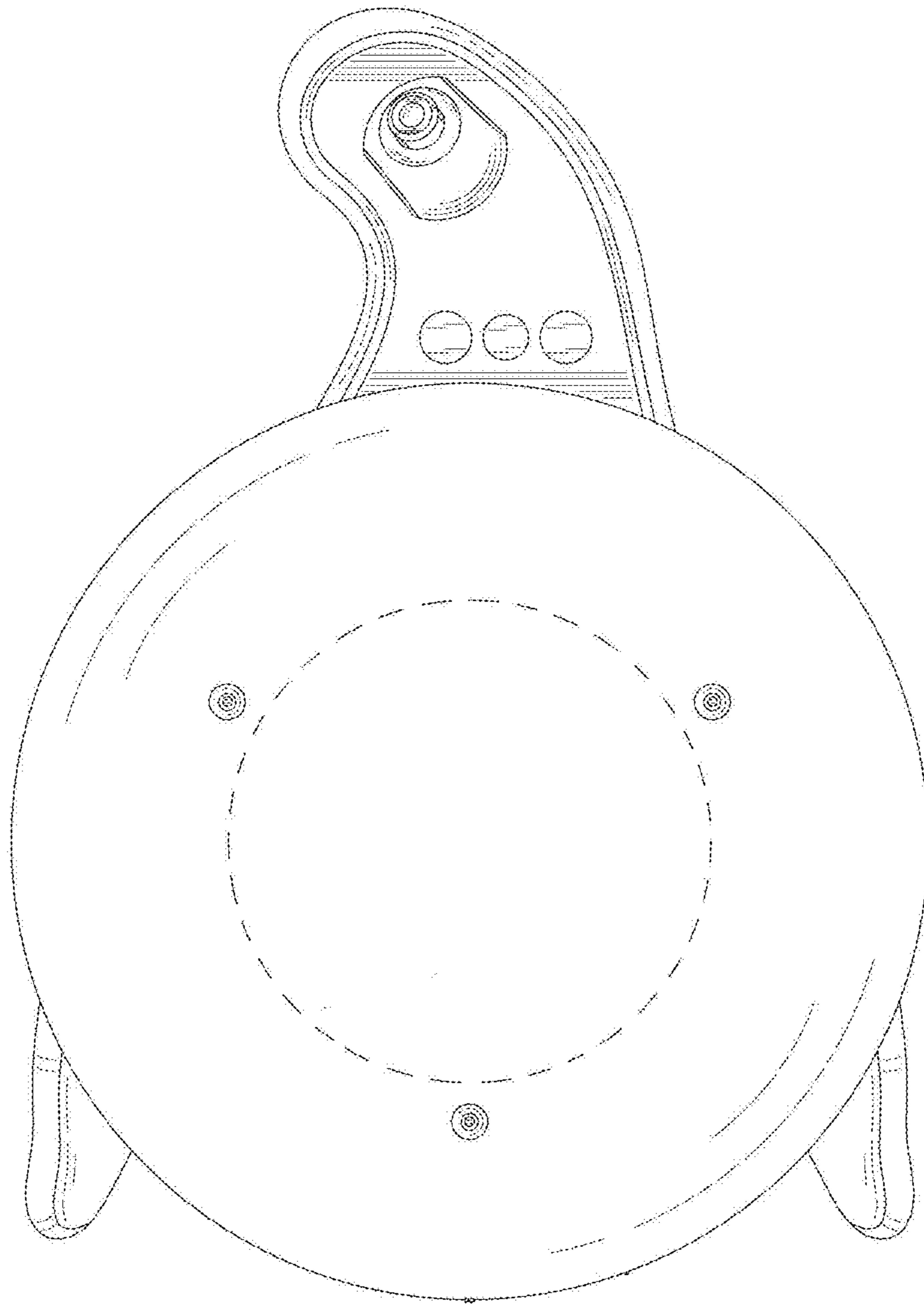


FIG. 6

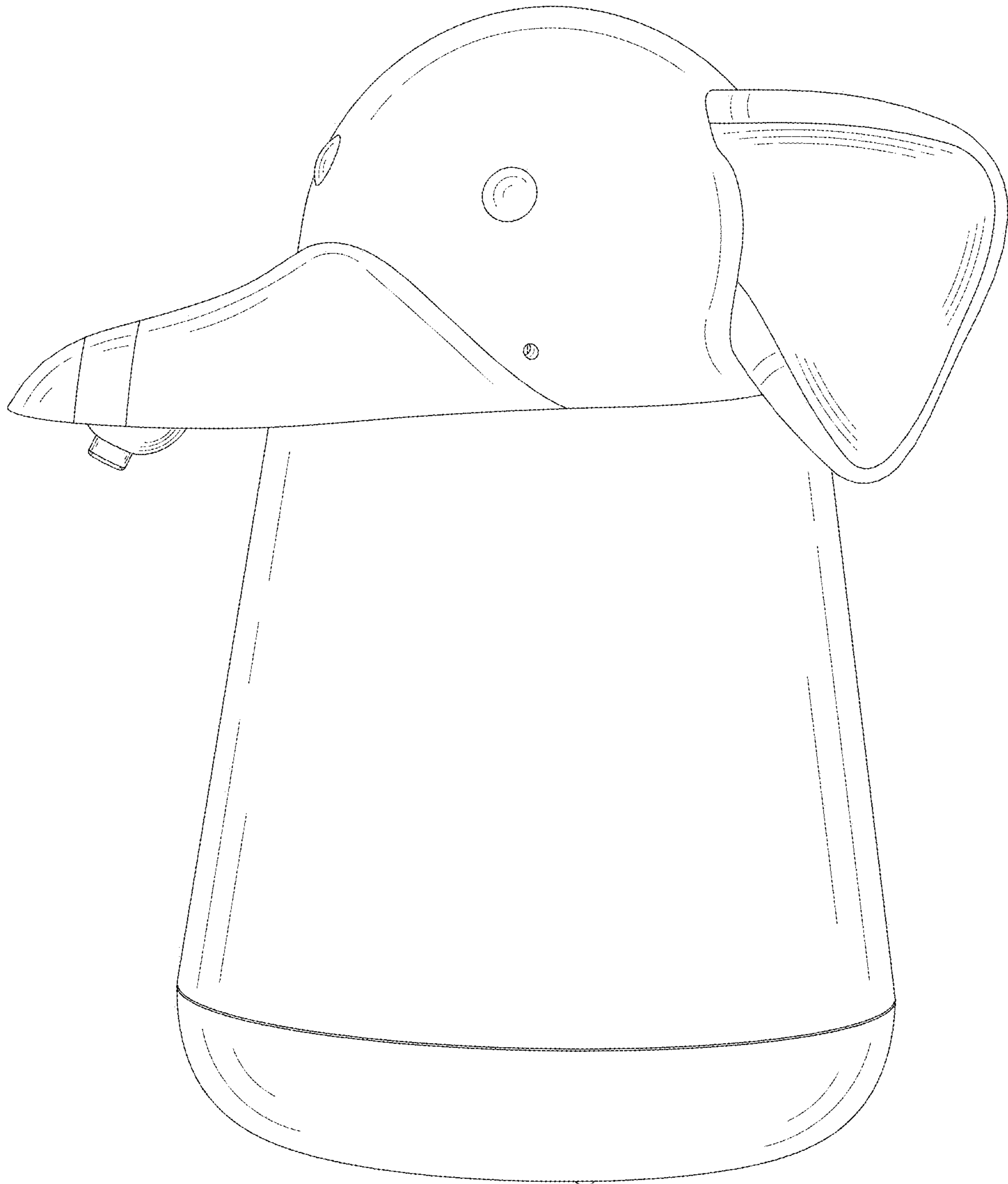


FIG. 7





FIG. 8