



US00D982345S

(12) **United States Design Patent** (10) **Patent No.:** **US D982,345 S**
Sun (45) **Date of Patent:** **** Apr. 4, 2023**

(54) **TISSUE HOLDER**
(71) Applicant: **AmeriBright Industries Limited**, Wan Chai (HK)
(72) Inventor: **Weiguo Sun**, Ningbo (CN)
(73) Assignee: **AmeriBright Industries Limited**, Wan Chai (HK)

D483,976 S * 12/2003 Hoernig D6/574
D520,279 S * 5/2006 Ferrer Beltran D6/523
D520,787 S * 5/2006 Ferrer Beltran D6/523
(Continued)

FOREIGN PATENT DOCUMENTS

CN 301515796 * 4/2011
CN 306393138 * 3/2021
(Continued)

(**) Term: **15 Years**
(21) Appl. No.: **29/753,457**
(22) Filed: **Sep. 30, 2020**
(30) **Foreign Application Priority Data**

OTHER PUBLICATIONS

Multi-Functional Toilet Paper Holder with Heavy Duty Commode Safety Grab Bar and Phone Shelf. Safety+Beauty Store (online) 13 pgs. Available Oct. 26, 2021. [Retrieved May 31, 2022] <https://www.amazon.com/SAFETY-BEAUTY-Stainless-Polished-Left-Hand/dp/B08DLXZRQJ> (Year: 2021).*

Jul. 23, 2020 (CN) 202030404344.5
(51) **LOC (14) Cl.** **23-08**
(52) **U.S. Cl.**
USPC **D6/523**
(58) **Field of Classification Search**
USPC D6/512, 515, 518, 519, 520, 521, 522,
D6/523, 546, 547, 549, 550; D7/631;
D19/89; D8/396, 367, 399; 248/905,
248/309.1, 309.2, 250; 221/92, 45, 63,
221/34, 46, 259
CPC A47K 10/38; A47K 10/3836; A47K 10/16;
A47K 10/18; A47K 10/04; A47K 10/24;
A47K 10/32; A47K 10/22; A47K
2010/3253; B65H 2701/1924
See application file for complete search history.

Primary Examiner — Marie D. Fast Horse
Assistant Examiner — Jennifer Sierra Yosinski
(74) *Attorney, Agent, or Firm* — Birch, Stewart, Kolasch & Birch, LLP

(57) **CLAIM**

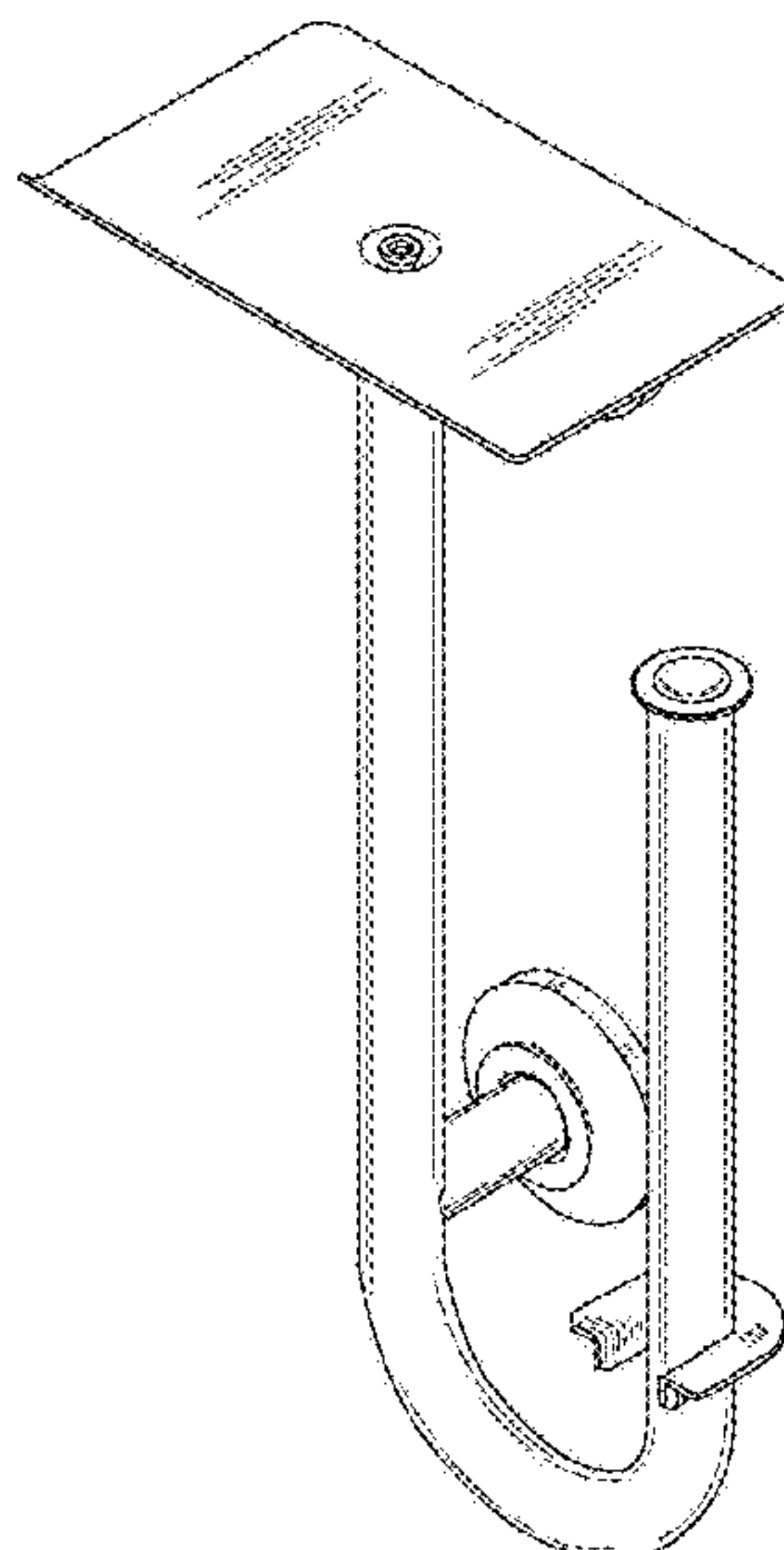
The ornamental design for a tissue holder, as shown and described.

DESCRIPTION

FIG. 1 is a front view of a tissue holder showing my new design;
FIG. 2 is a rear view thereof;
FIG. 3 is a left side view thereof;
FIG. 4 is a right side view thereof;
FIG. 5 is a top plan view thereof;
FIG. 6 is a bottom view thereof;
FIG. 7 is a front right perspective view thereof; and,
FIG. 8 is a second front right perspective view thereof.
The broken lines in FIG. 2 depict portions of the tissue holder that form no part of the claimed design and the broken lines in FIG. 8 illustrate environment of the tissue holder that forms no part of the claimed design.

(56) **References Cited**
U.S. PATENT DOCUMENTS
D155,897 S * 11/1949 Huntington 248/309.2
D238,464 S * 1/1976 Bauman D6/523
D238,465 S * 1/1976 Bauman D6/521
D277,347 S * 1/1985 Thompson D6/523
D305,488 S * 1/1990 Korpjaako D6/523

1 Claim, 7 Drawing Sheets



(56)

References Cited

U.S. PATENT DOCUMENTS

D654,157 S * 2/2012 Gilbert D23/304
D790,875 S * 7/2017 Eads D6/546
D822,404 S * 7/2018 Eads D6/523
10,104,965 B1 * 10/2018 Miller A47K 10/18
10,426,300 B1 * 10/2019 Young A47K 10/3836
D916,491 S * 4/2021 Chen D6/522

FOREIGN PATENT DOCUMENTS

CN 306434001 * 4/2021
EM 007784053-0011 * 4/2020
KR 300880635.0000 * 4/2016

* cited by examiner

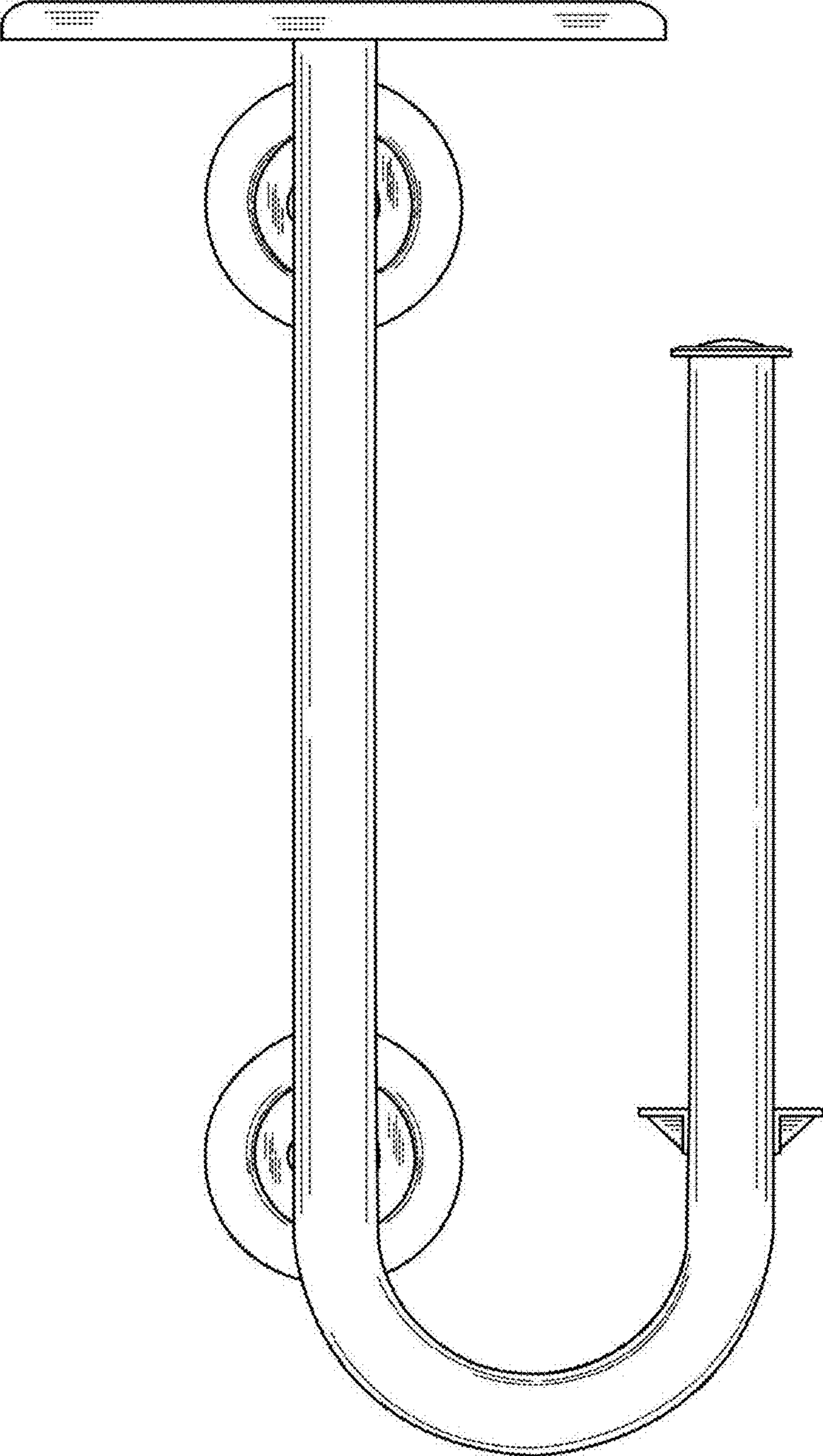


FIG.1

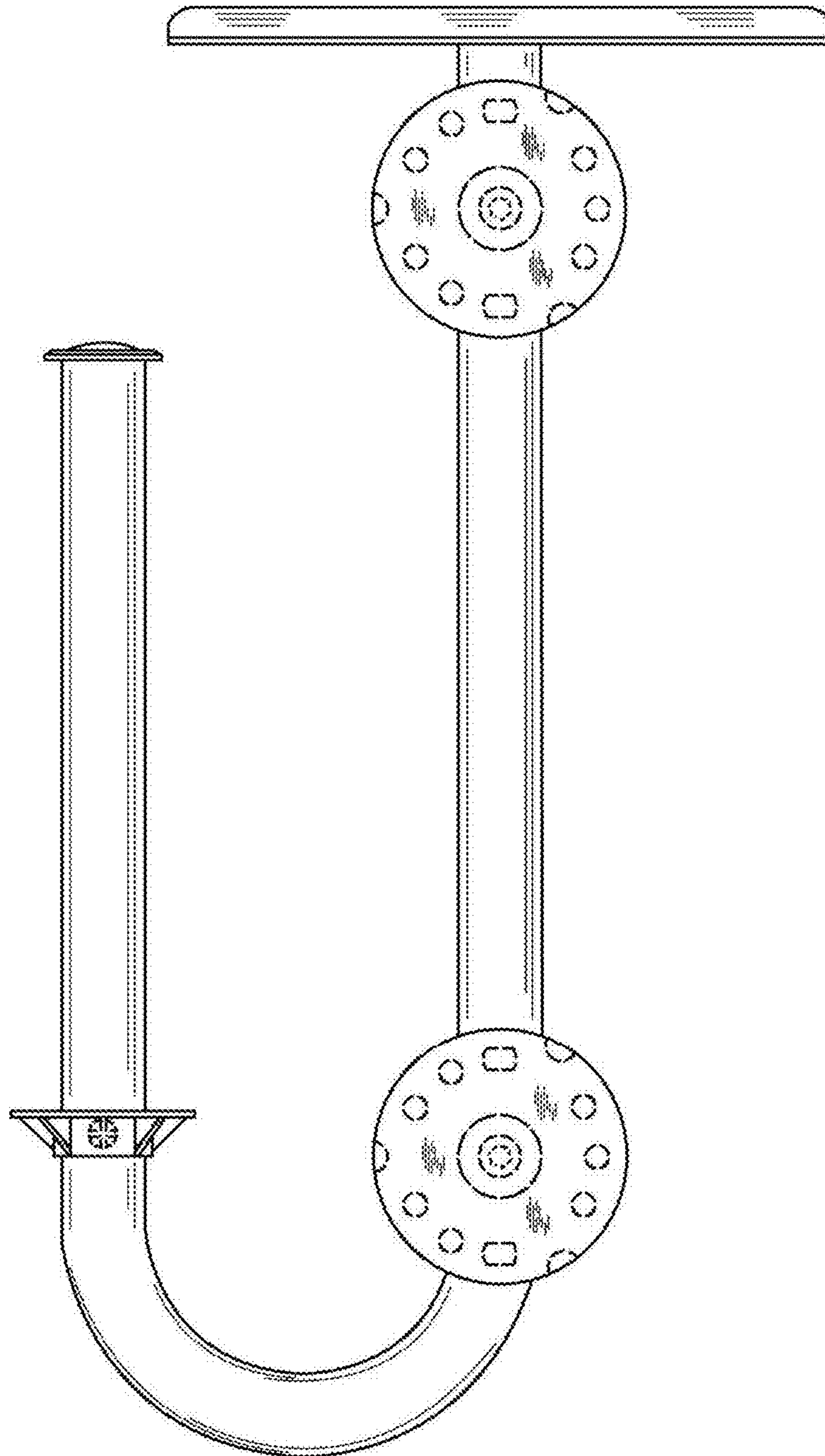


FIG.2

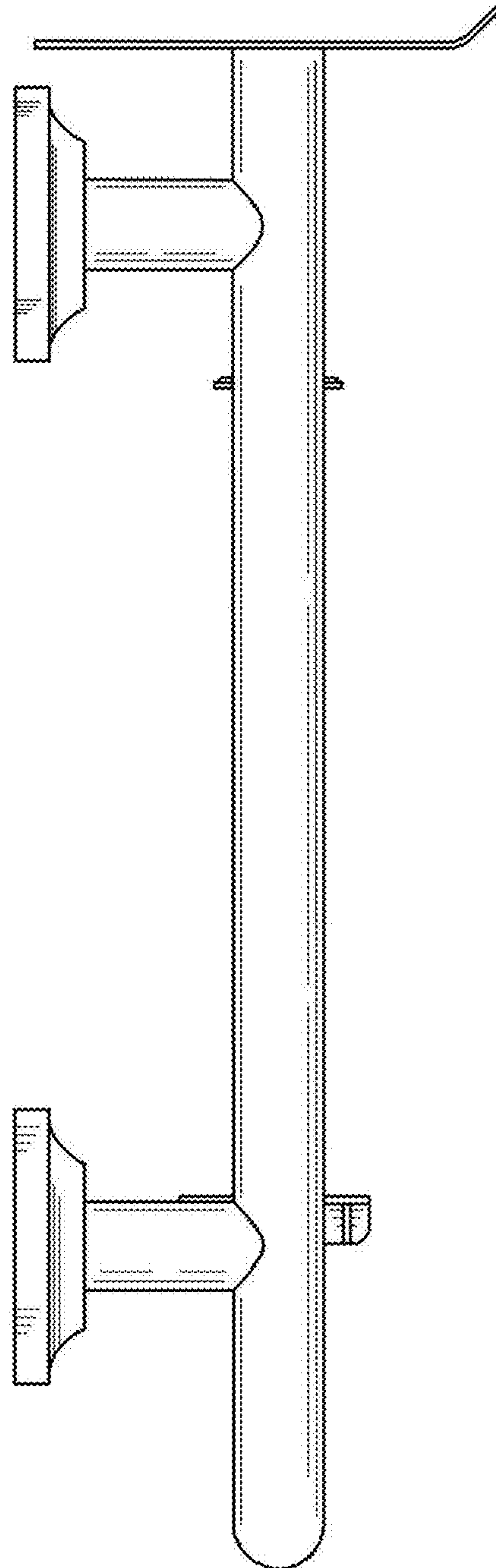


FIG.3

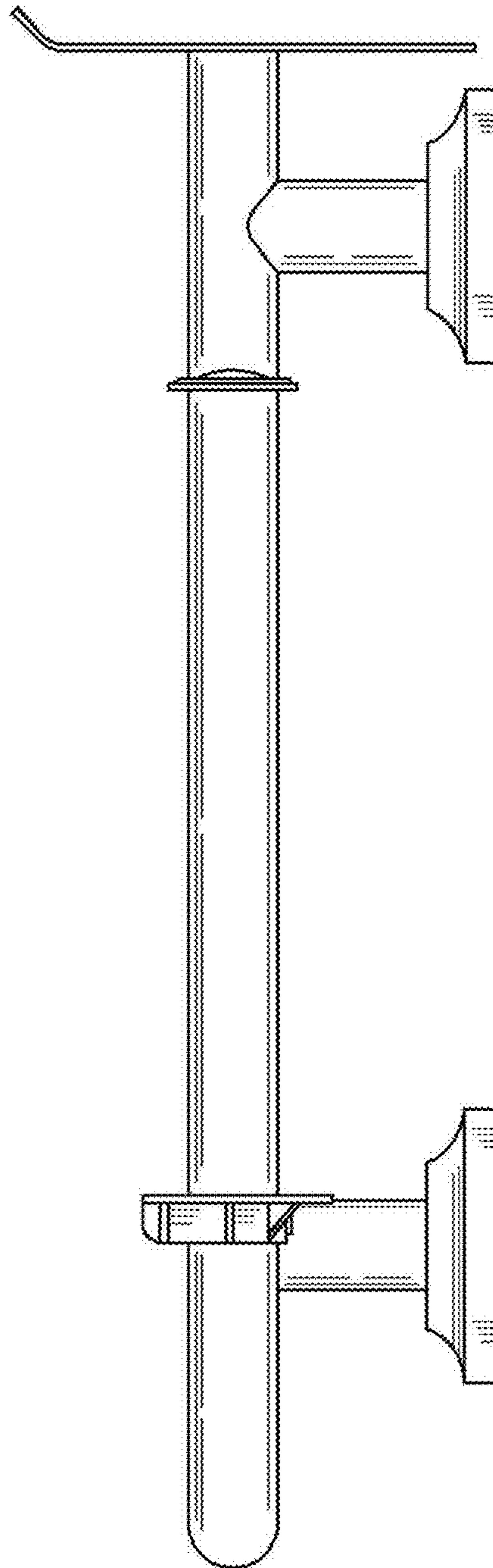


FIG.4

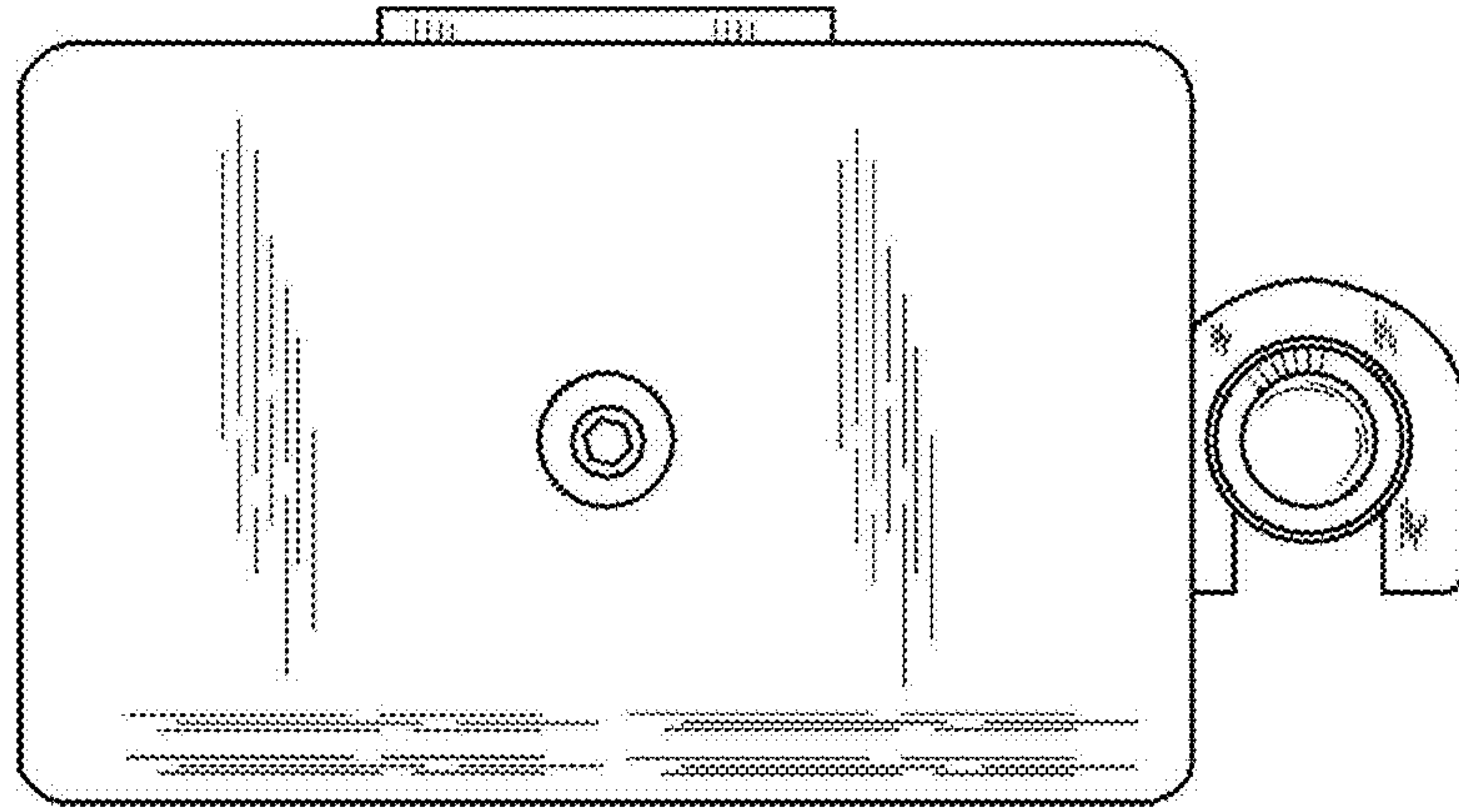


FIG. 5

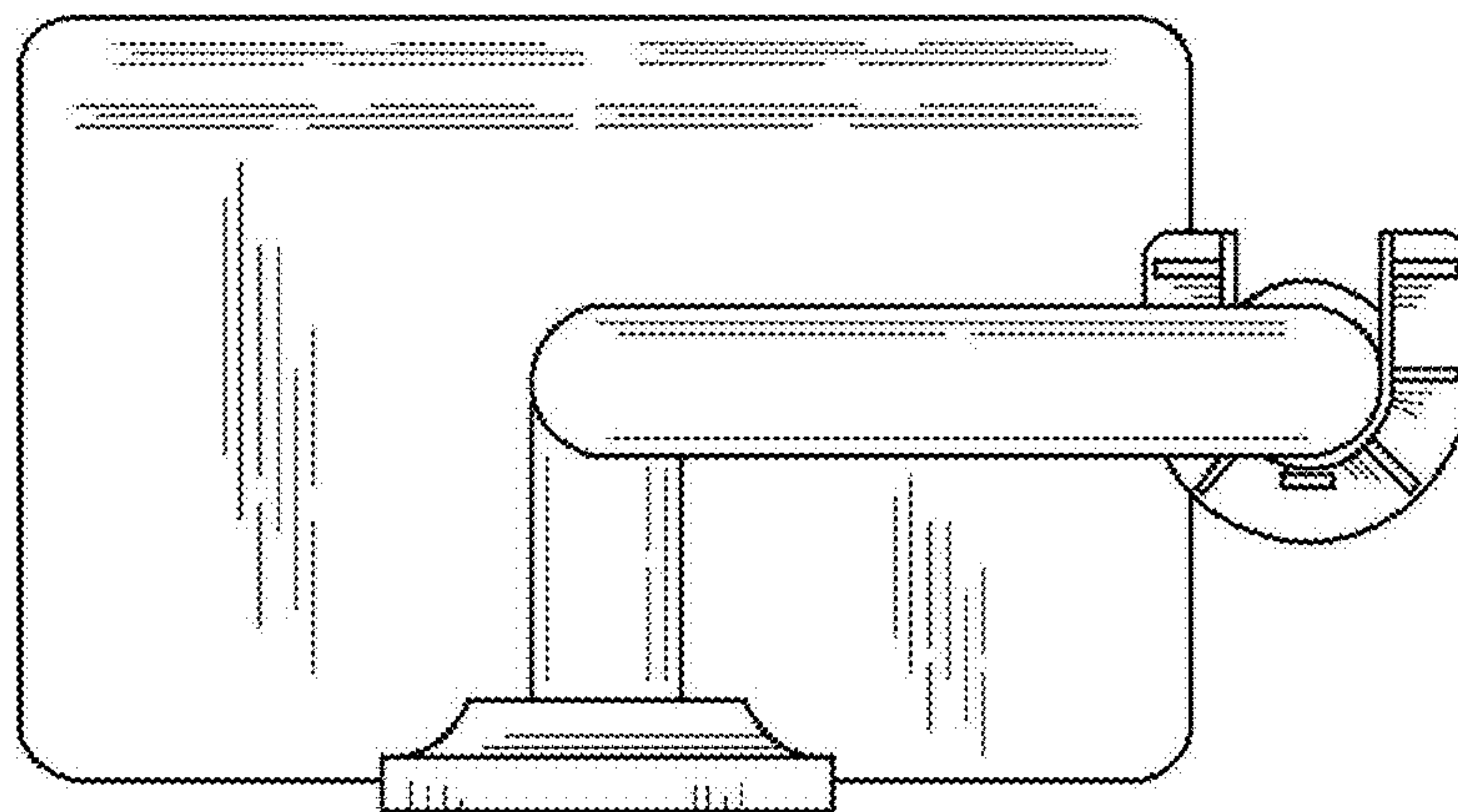


FIG. 6

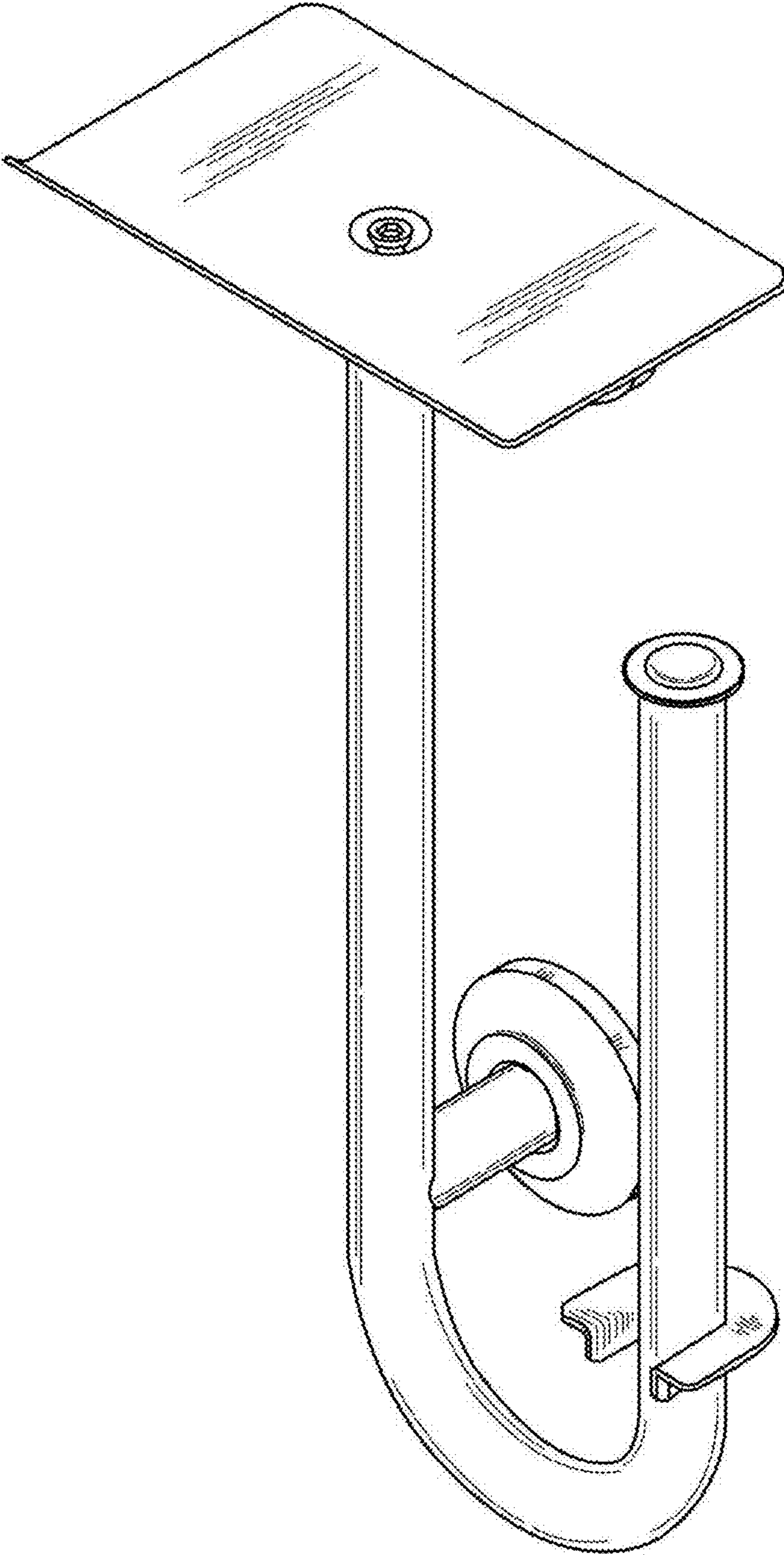


FIG. 7

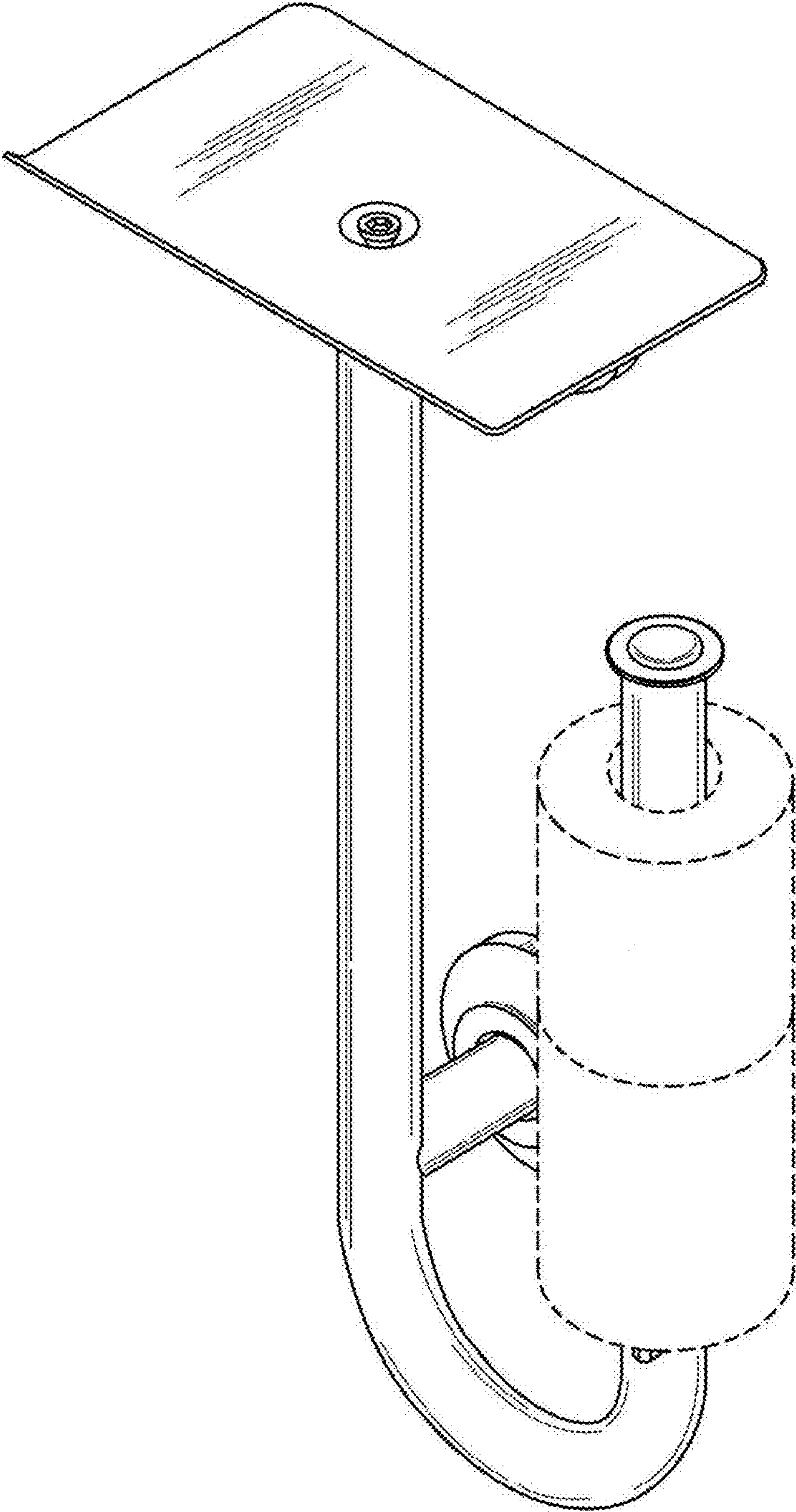


FIG.8